

220 AC

2012

Spare parts

Ersatzteile

Pièces détachées

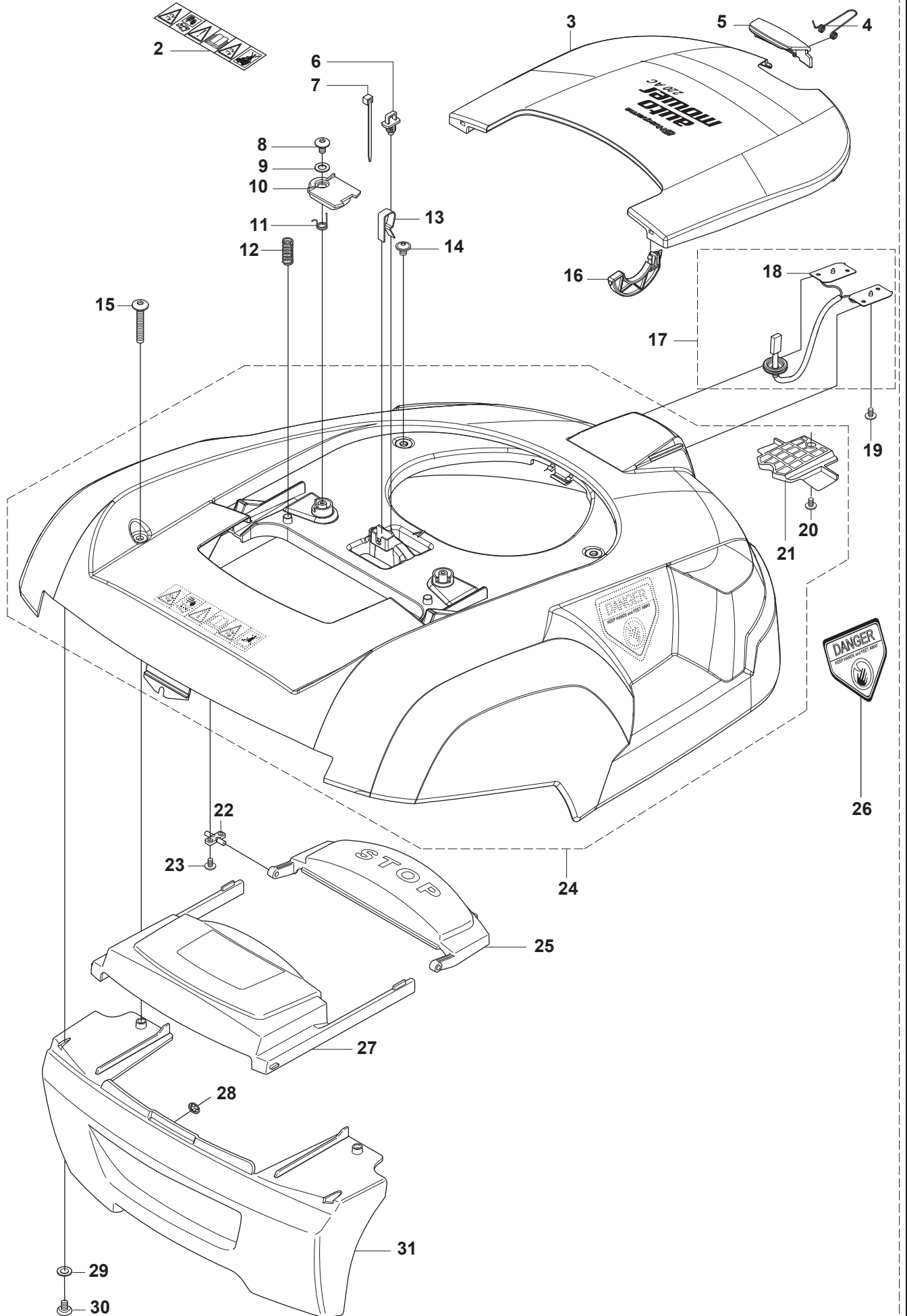
Reserve onderdelen

Repuestos

Reservdelar

A AUTOMOWER 220 AC COVER

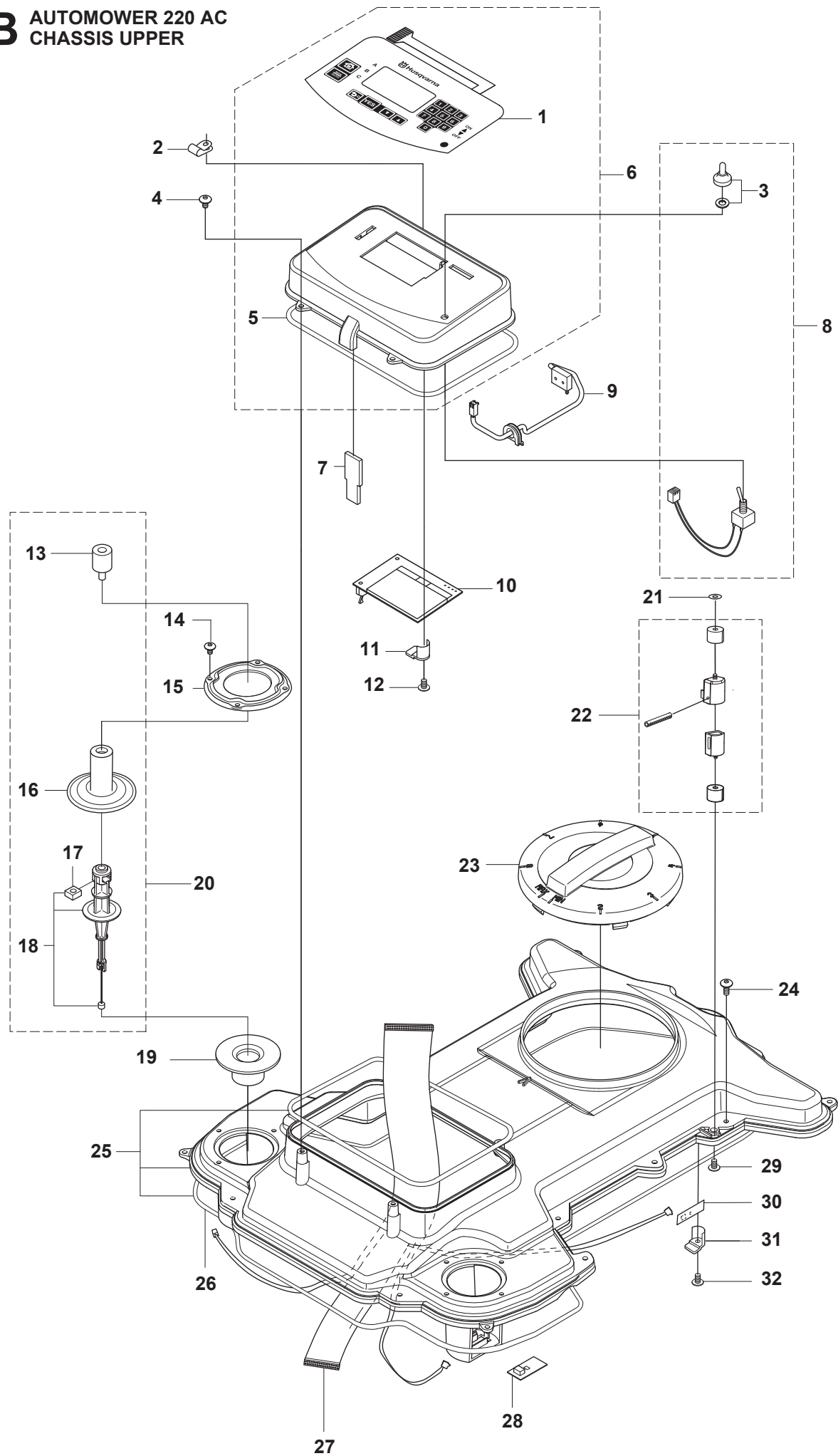
1



Page A AUTOMOWER 220 AC COVER

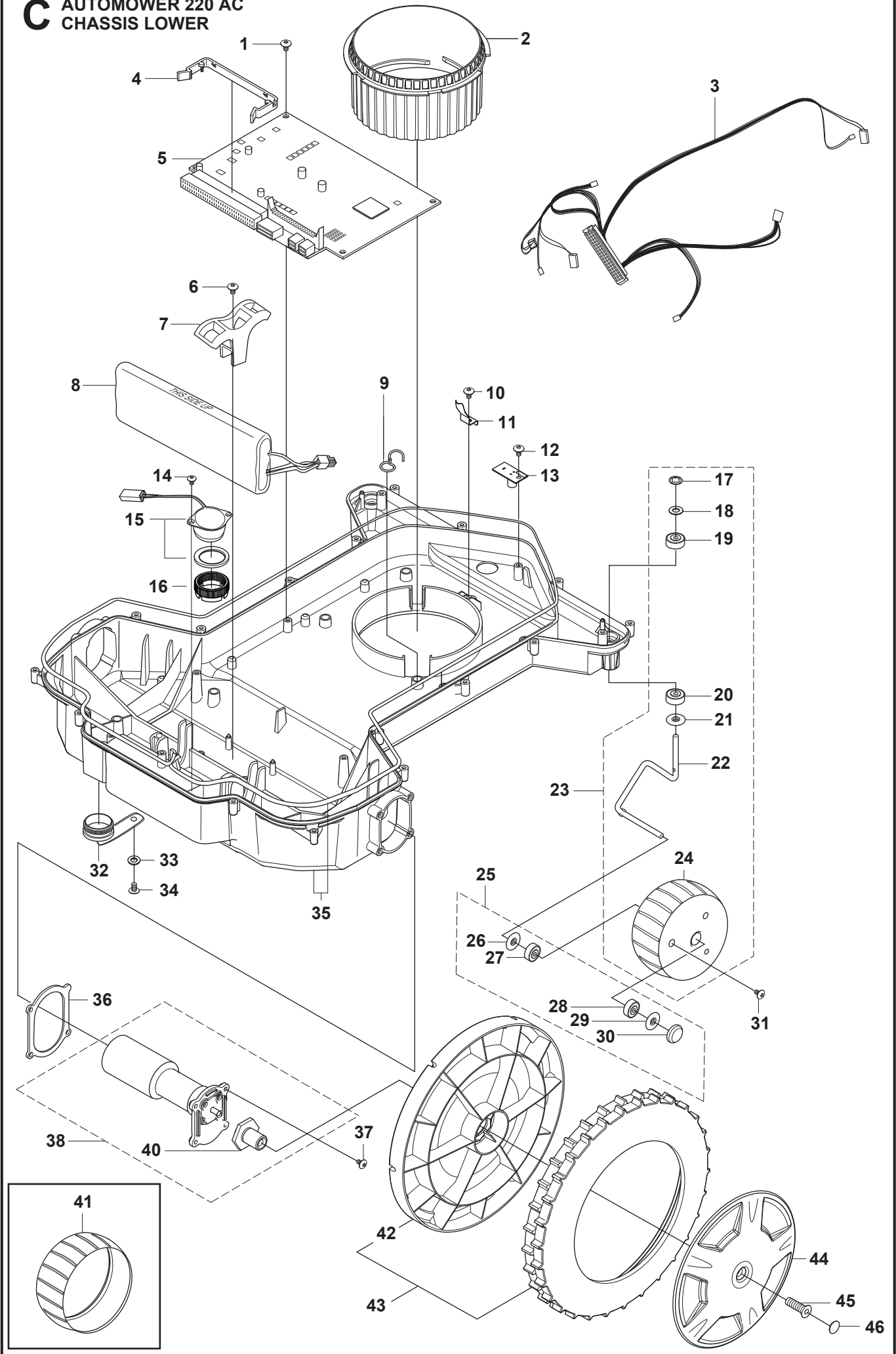
Position	Article	Quantity	Notes	Kit
1	575 61 88-01	1	COVER, complete kit	
2	522 79 27-01	1	LABEL WARNING	
3	544 91 80-02	1	COVER	
4	535 13 57-01	1	TORSION SPRING	
5	535 13 49-02	1	LOCK	
6	535 13 04-01	1	ANCHOR	
7	900 23 87-08	1	TIE WRAP	
8	575 54 33-10	2	SCREW	
9	734 11 37-41	2	WASHER	
10	535 12 68-01	2	LOCK CLAMP	
11	535 13 02-01	2	TORSION SPRING	
12	535 13 01-01	2	SPRING	
13	535 08 98-01	1	CLIPS	
14	535 07 60-02	2	SCREW	
15	535 12 93-05	2	SCREW IH PANM	
16	535 13 53-01	2	PIVOT	
17	535 13 73-01	1	WIRING compl	
18	535 13 59-01	2	CHARGING PLATE	17
19	575 54 33-06	2	SCREW	
20	575 54 33-12	1	SCREW	26
21	505 13 14-01	1	SPACER	26
22	535 12 78-01	2	SHAFT	
23	575 54 33-10	4	SCREW	
24	510 09 67-01	1	BODY compl	
25	535 12 67-02	1	SWITCH	
26	513 99 61-00	1	DECAL US/AU/NZ	
27	535 12 66-02	1	HATCH	
28	735 58 52-09	1	WASHER	
29	734 11 37-41	2	WASHER	
30	575 54 33-14	2	SCREW	
31	574 43 09-01	1	BUMPER	

B AUTOMOWER 220 AC CHASSIS UPPER



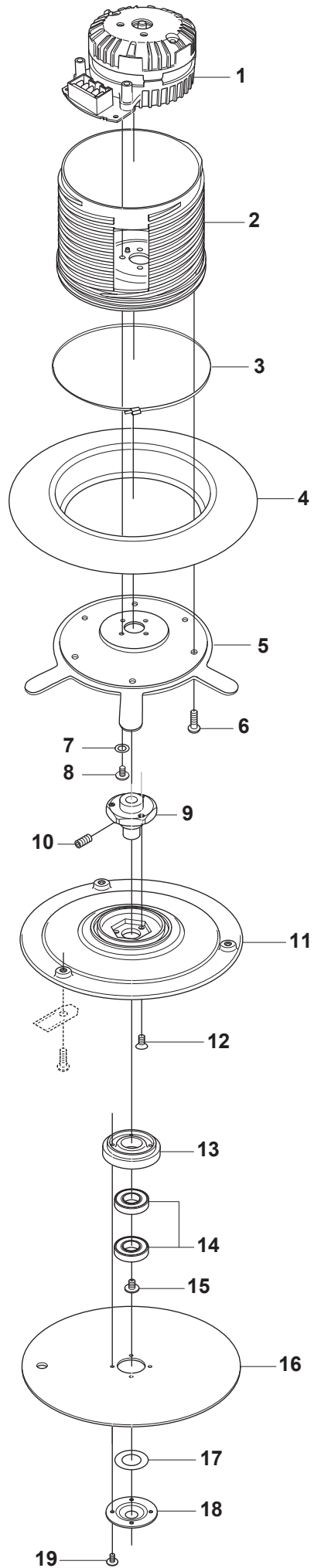
Position	Article	Quantity	Notes	Kit
1	544 90 01-01	1	KEYBOARD	6
2	577 52 72-01	1	CABLE CLAMP	
3	535 10 17-01	1	CAP	8
4	574 45 01-01	4	SCREW ITXPANT	
5	575 98 63-01	1	SEALING STRIP (10 pcs)	6
	574 87 47-02	1	SEALING STRIP	
6	575 94 42-01	1	DISPLAY COVER compl	
7	535 14 47-01	1	FILTER	
8	535 12 39-01	1	MAIN SWITCH compl	
9	577 59 23-01	1	SWITCH KIT	
10	540 06 03-01	1	DISPLAY	
11	535 12 79-01	1	BRACKET	
12	575 54 33-14	1	SCREW	
13	577 67 06-01	2	RUBBER DAMPER	20
14	575 54 33-14	8	SCREW	
15	505 17 43-01	2	RING FASTENER	
16	577 52 58-01	2	RUBBER GAITERS	20
17	503 22 66-01	2	SQUARE NUT	20
18	579 24 88-01	2	COLUMN	20
19	535 14 32-01	2	DEFLECTION LIMITER	
20	577 59 84-03	2	COLUMN compl	
21	510 74 70-00	1	LOCKWASHER	
22	544 14 15-01	1	SENSOR	
23	535 12 22-01	1	HEIGHT ADJUSTMENT WHEEL	
24	574 45 01-01	16	SCREW ITXPANT	
25	575 94 38-01	1	CHASSIS	
26	575 98 62-01	1	SEALING STRIP (10 pcs)	
	574 87 47-01	1	SEALING STRIP	
27	544 12 69-01	1	WIRING	
28	578 78 90-01	2	PRINTED CIRCUIT ASSY	
29	535 07 60-02	2	SCREW	
30	578 78 90-01	1	PRINTED CIRCUIT ASSY	
31	535 12 79-01	1	BRACKET	
32	575 54 33-14	1	SCREW	

C AUTOMOWER 220 AC CHASSIS LOWER



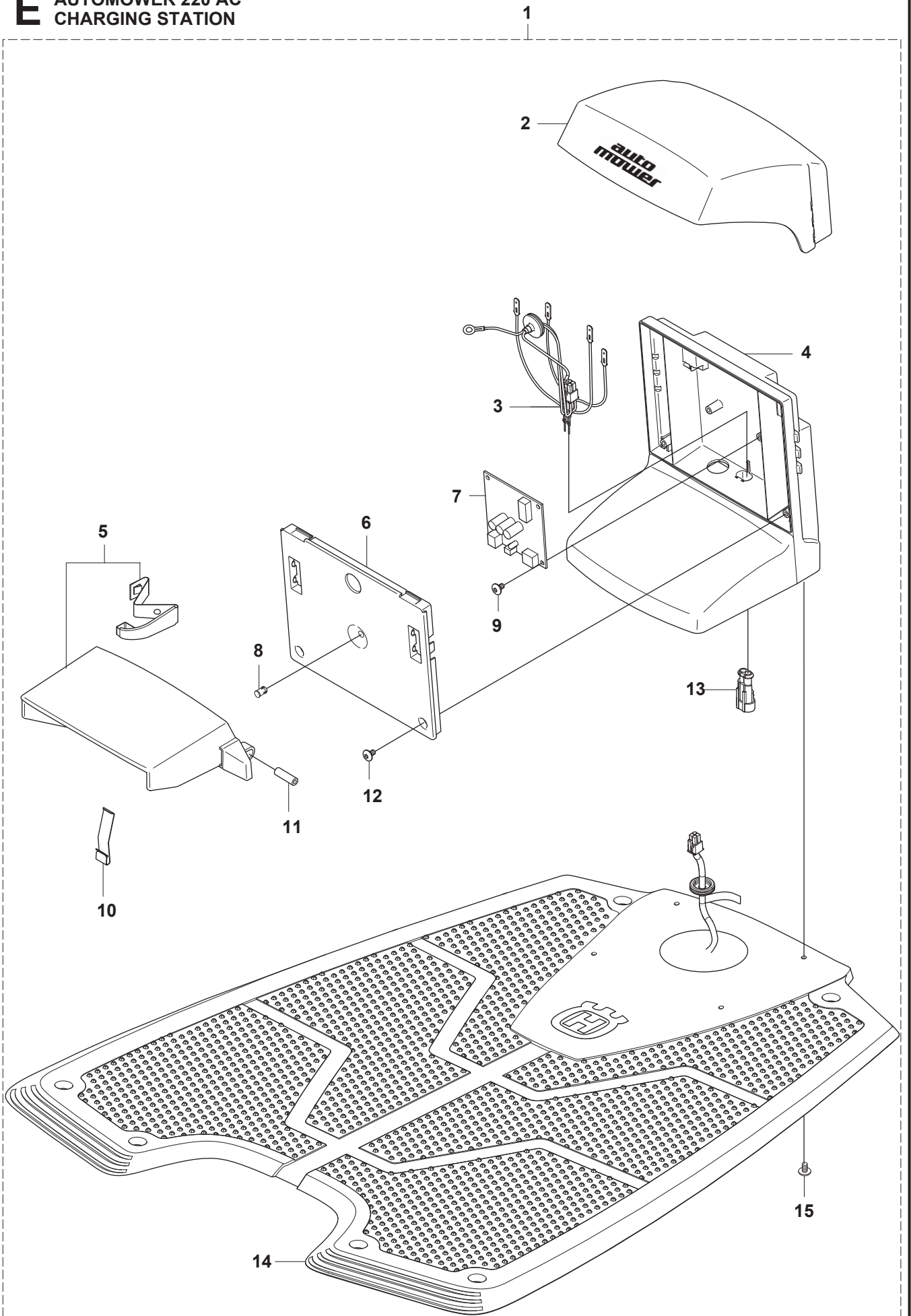
Position	Article	Quantity	Notes	Kit
1	575 54 33-10	4	SCREW	
2	535 12 21-02	1	NUT	
3	501 00 37-03	1	MAIN WIRING , Linix	
3	501 00 37-02	1	MAIN WIRING , Dunker	
4	578 05 61-01	1	CLIP	
	578 05 61-02	50	CLIP	
5	578 78 60-01	1	PRINTED CIRCUIT ASSY	
6	575 54 33-14	2	SCREW	
7	544 90 78-01	2	BRACKET	
8	535 12 09-01	1	BATTERY	
9	535 13 96-01	1	CABLE HOLDER	
10	535 13 03-14	1	SCREW ITXPANT	
11	535 12 24-01	1	LOCKING SPRING	
12	575 54 33-10	2	SCREW	
13	578 78 88-01	2	PRINTED CIRCUIT ASSY	
14	502 85 96-01	2	SCREW	
15	501 00 42-01	1	BUZZER	
16	579 52 12-01	1	NUT	
17	735 58 41-09	2	WASHER	23
18	734 11 52-09	2	WASHER	23
19	522 50 50-01	2	BALL BEARING	23
20	522 50 50-01	2	BALL BEARING	23
21	535 08 78-02	2	WASHER	23
22	522 50 48-01	2	SPINDLE	23
23	522 66 45-02	1	KIT compl	
24	575 23 17-01	2	WHEEL ASSY	23
25	523 34 37-01	1	BEARING KIT compl	23
26	535 08 78-02	2	WASHER	23,25
27	522 50 50-01	2	BALL BEARING	23,25
28	522 50 50-01	2	BALL BEARING	23,25
29	535 08 78-02	2	WASHER	23,25
30	521 93 31-01	2	COVER WASHER	23,25
31	575 50 76-01	6	SCREW ITXPANT	
32	574 42 74-02	1	PLUG	
33	734 11 37-41	1	WASHER	
34	575 54 33-14	1	SCREW	
35	575 94 39-01	1	CHASSIS	
36	535 13 92-03	2	GASKET	
37	575 54 33-16	8	SCREW	
38	502 63 36-01	2	DRIVE MOTOR compl, Linix	
	535 13 72-02	2	MOTOR Dunker	
40	544 90 68-02	1	HUB	38
41	574 44 98-01	2	WHEEL	
42	535 13 50-02	2	WHEEL	43
43	535 13 60-03	2	GEAR WHEEL compl	
44	544 90 52-03	2	HUB CAP	
45	535 13 94-01	2	SCREW IHCSFM	
46	504 20 08-01	2	COVER WASHER	

D AUTOMOWER 220 AC
BLADE MOTOR
& CUTTING EQUIPMENT



Position	Article	Quantity	Notes	Kit
1	535 12 36-01	1	CUTTING MOTOR	
2	510 14 41-01	1	MOTOR BOWL	
3	525 25 14-01	1	TIE WRAP	
4	535 12 23-01	1	RUBBER GAITERS	
5	522 77 15-02	1	PLATE	
6	575 54 33-14	6	SCREW	
7	734 11 37-41	4	WASHER	
8	502 23 91-01	4	SCREW	
9	535 07 55-01	1	HUB	
10	728 82 85-01	1	SCREW IHSETM	
11	535 12 63-01	1	BLADE DISK	
12	535 13 05-01	3	SCREW	
13	535 12 64-01	1	BEARING BOX	
14	535 07 57-02	1	BALL BEARING	
15	535 07 60-01	1	SCREW	
16	535 07 59-01	1	SKID PLATE	
17	535 08 25-01	1	GASKET	
18	535 08 15-01	1	COVER WASHER	
19	575 54 33-10	4	SCREW	

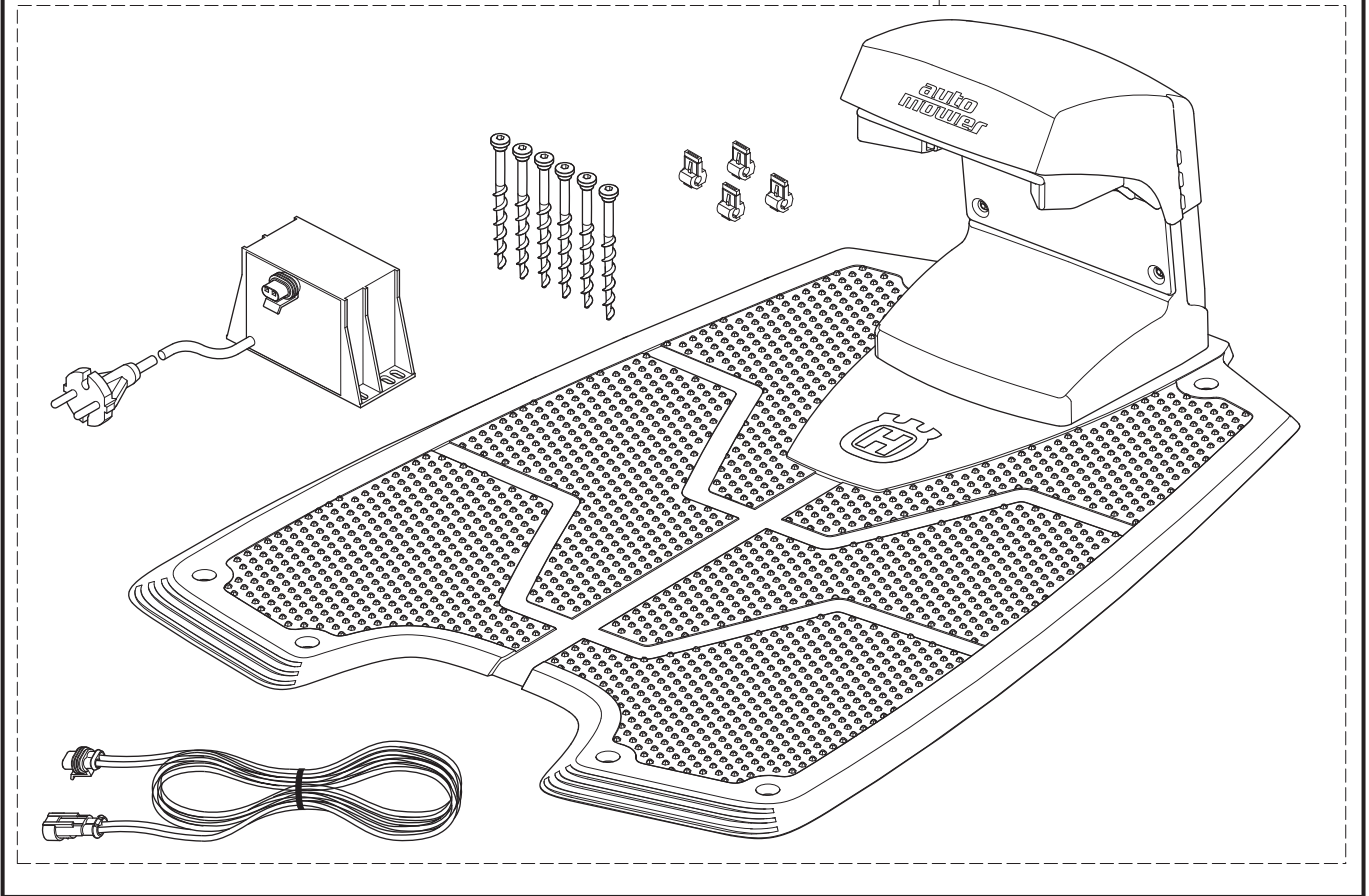
E AUTOMOWER 220 AC CHARGING STATION



	Article	Quantity	Notes	Kit
1	574 90 20-01	1	CHARGING STATION	
	574 90 20-04	1	CHARGING STATION (CH)	
2	535 12 47-02	1	COVER	
3	544 98 38-06	1	WIRING ASSY	
	544 98 38-10	1	WIRING ASSY (CH)	
4	574 82 75-01	1	BODY	
5	510 05 97-02	1	KIT, Charging Plate	
6	535 12 44-01	1	CAP	
7	578 78 84-01	1	PRINTED CIRCUIT ASSY	
	578 78 86-01	1	PRINTED CIRCUIT ASSY (CH)	
8	535 12 87-02	1	DIODE LENS	
9	575 54 33-10	2	SCREW	
10	535 12 86-01	2	SPRING PLATE	
11	535 12 50-01	2	PIN	
12	575 54 33-14	2	SCREW	
13	535 12 85-01	1	CONTACT HOUSING	
14	575 23 16-01	1	ANTENNA PLATE	
15	575 54 33-14	4	SCREW	

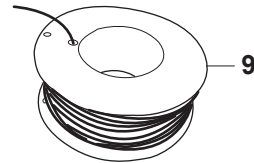
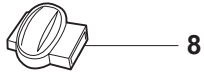
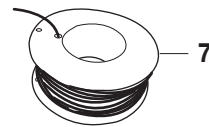
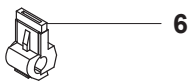
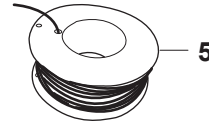
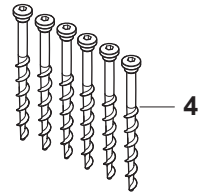
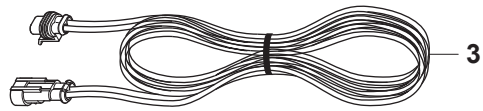
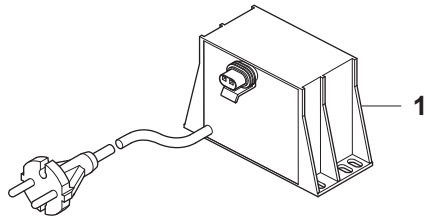
F AUTOMOWER 220 AC
CHARGING STATION

1

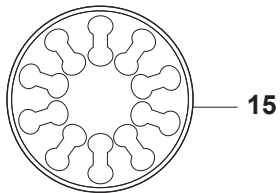
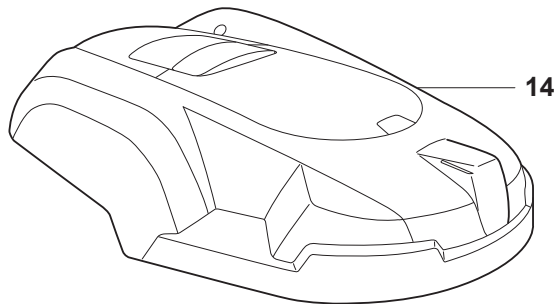
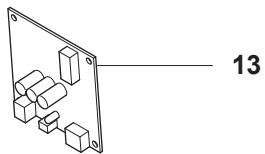


Position	Article	Quantity	Notes	Kit
1	575 24 13-01	1	CHARGING STATION KIT (EU)	
	575 24 13-02	1	CHARGING STATION KIT (UK/IRL)	
	575 24 13-03	1	CHARGING STATION KIT (CH)	
	575 24 13-04	1	CHARGING STATION KIT (US/CA/MX)	
	575 24 13-05	1	CHARGING STATION KIT (AU/NZ)	

G AUTOMOWER 220 AC ACCESSORIES

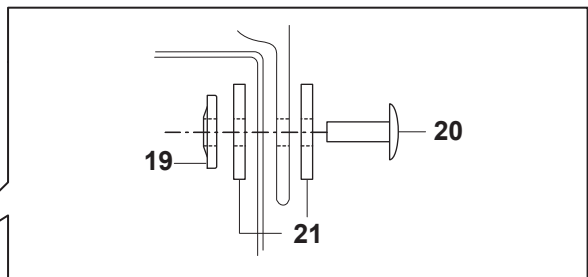
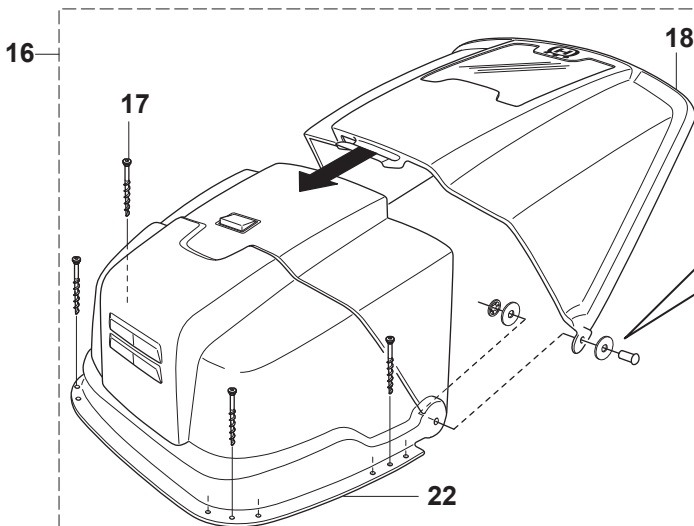
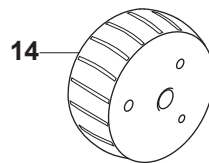
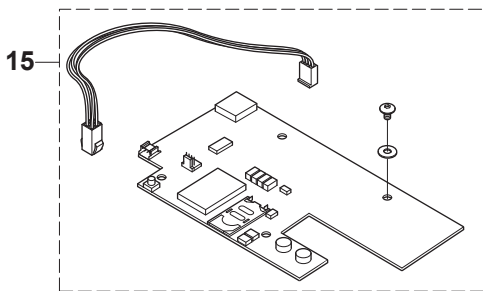
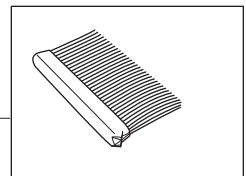
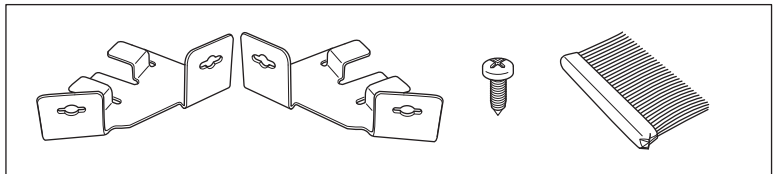
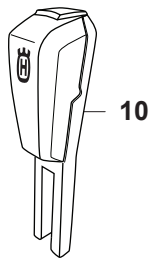
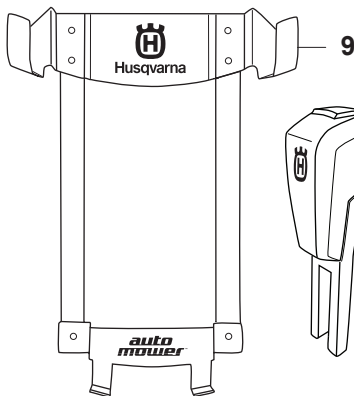
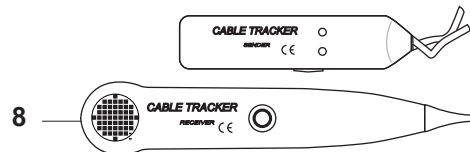
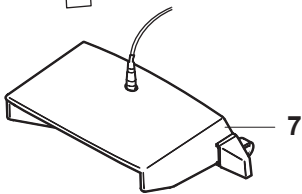
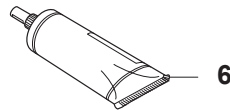
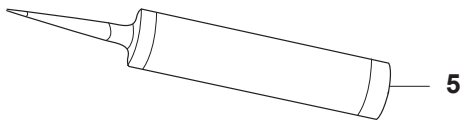
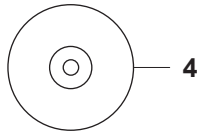
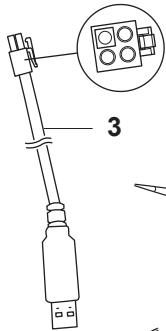
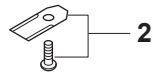
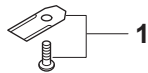


11



Position	Article	Quantity	Notes	Kit
1	535 12 37-01	1	TRANSFORMER (EU)	
	535 12 37-02	1	TRANSFORMER (UK/IRL)	
	535 12 37-03	1	TRANSFORMER (CH)	
	535 12 37-04	1	TRANSFORMER (US/MX)	
	535 12 37-05	1	TRANSFORMER (AU/NZ)	
2	504 04 97-01	1	STAPLE, 100pcs	
	577 86 42-01	1	STAPLE, Blister pack, 100pcs	
3	535 12 73-05	1	WIRING (20m)	
4	575 23 86-01	1	SCREW KIT, 6pcs	
	577 86 49-01	2	SCREW KIT, Blister Pack, 3pcs	
5	501 98 03-02	1	WIRE (150m)	
	577 86 43-01	1	WIRE, Blister pack, (150m)	
6	535 12 90-01	1	LOOP WIRE CONNECTOR	
	577 86 48-01	1	LOOP WIRE CONNECTOR, Blister Pack, 5pcs	
7	501 98 03-01	1	WIRE (250m)	
8	501 98 02-01	1	COUPLER	
	577 86 47-01	2	COUPLER, Blister pack, 5pcs	
9	522 91 41-01	1	WIRE (500m, Ø3.4 mm)	
10	501 98 02-02	1	COUPLER, 50pcs	
11	544 17 75-01	1	MEASURING TAPE	
12	535 13 16-01	1	LABEL	
13	578 78 86-01	1	CS CB Thunder lightning protection	
14	575 24 26-01	1	COVER, complete kit, Earth, dark brown metallic	
	575 24 26-02	1	COVER, complete kit, Air, white metallic	
	575 24 26-03	1	COVER, complete kit, Water, dark blue metallic	
	575 24 26-04	1	COVER, complete kit, Fire, orange metallic	
15	581 84 28-01	1	STICKER, Cable markers	

H AUTOMOWER 220 AC ACCESSORIES



Position	Article	Quantity	Notes	Kit
1	535 13 87-02	1	BLADE, Carbon steel, 9pcs	
	577 86 44-01	1	BLADE, Carbon steel, Blister Pack, 9pcs	
	535 13 88-02	1	BLADE, Carbon steel, 30pcs	
	505 12 78-02	1	BLADE, Carbon steel, 500pcs	
2	577 60 64-02	1	BLADE, Carbon steel, Thick, 9pcs	
	577 86 46-01	1	BLADE, Carbon steel, Thick, Blister Pack, 9pcs	
	577 60 65-02	1	BLADE, Carbon steel, Thick, 30pcs	
	577 60 66-02	1	BLADE, Carbon steel, Thick, 300pcs	
3	535 13 23-02	1	SERVICE CABLE (USB)	
4	577 85 81-02	1	AUTOCHECK EXP DVD	
5	578 05 13-02	1	GREASE TUBE, Yellow (300 ml)	
	579 38 19-02	1	GREASE TUBE, Transparent (300 ml)	
6	578 05 13-01	1	GREASE TUBE, Yellow (85 ml)	
	579 38 19-01	1	GREASE TUBE, Transparent (85 ml)	
7	522 73 65-01	1	ADAPTER PIN code transfer unit	
8	577 60 68-01	1	INTERRUPTION DETECTOR	
9	504 82 13-01	1	WALL BRACKET ASSY	
10	522 42 58-01	1	SIGNAL BOOSTER	
11	505 13 27-01	1	BRUSH KIT, Incl Brush, 6pcs	
	577 86 50-01	1	BRUSH KIT, Incl Brush, Blister Pack, 6pcs	
12	505 13 28-01	1	BRUSH, 6pcs	
13	522 91 67-01	1	BAG	
14	575 23 17-02	1	HEAVY WHEEL (400g)	
	577 86 51-01	1	HEAVY WHEEL (400g), Blister pack, 2pcs	
15	575 24 24-02	1	GPS UNIT compl GPS module	
16	504 82 14-01	1	COVER KIT compl	
17	575 23 86-01	1	SCREW KIT, 6pcs	16
18	505 25 07-01	2	LID	16
19	505 18 81-01	2	LOCK WASHER	16
20	505 12 36-01	4	PIN	16
21	505 22 94-01	1	WASHER	16
22	505 12 32-01	1	HOUSING	16