

# 320

# 2014

**Spare parts**

**Ersatzteile**

**Pièces détachées**

**Reserve onderdelen**

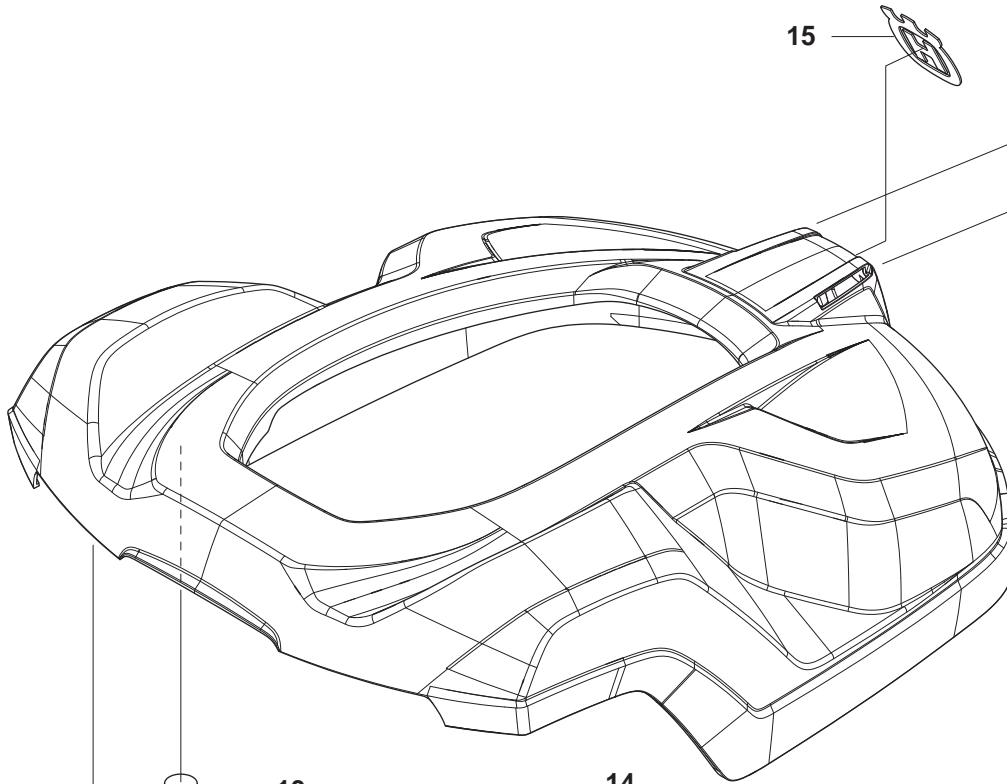
**Repuestos**

**Reservdelar**

---

# A AUTOMOWER 320 BODY

1



15

9

10

16

7

8

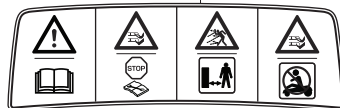
5

6

4

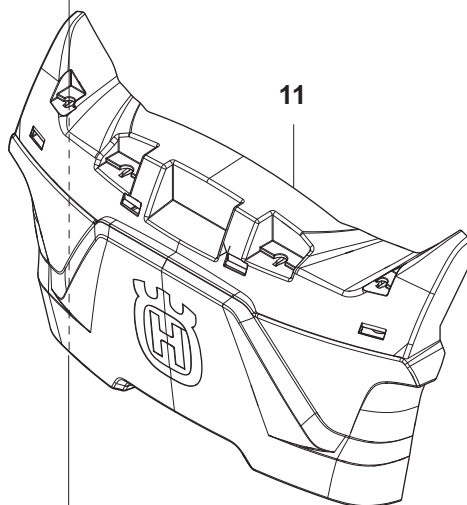
3

14



2

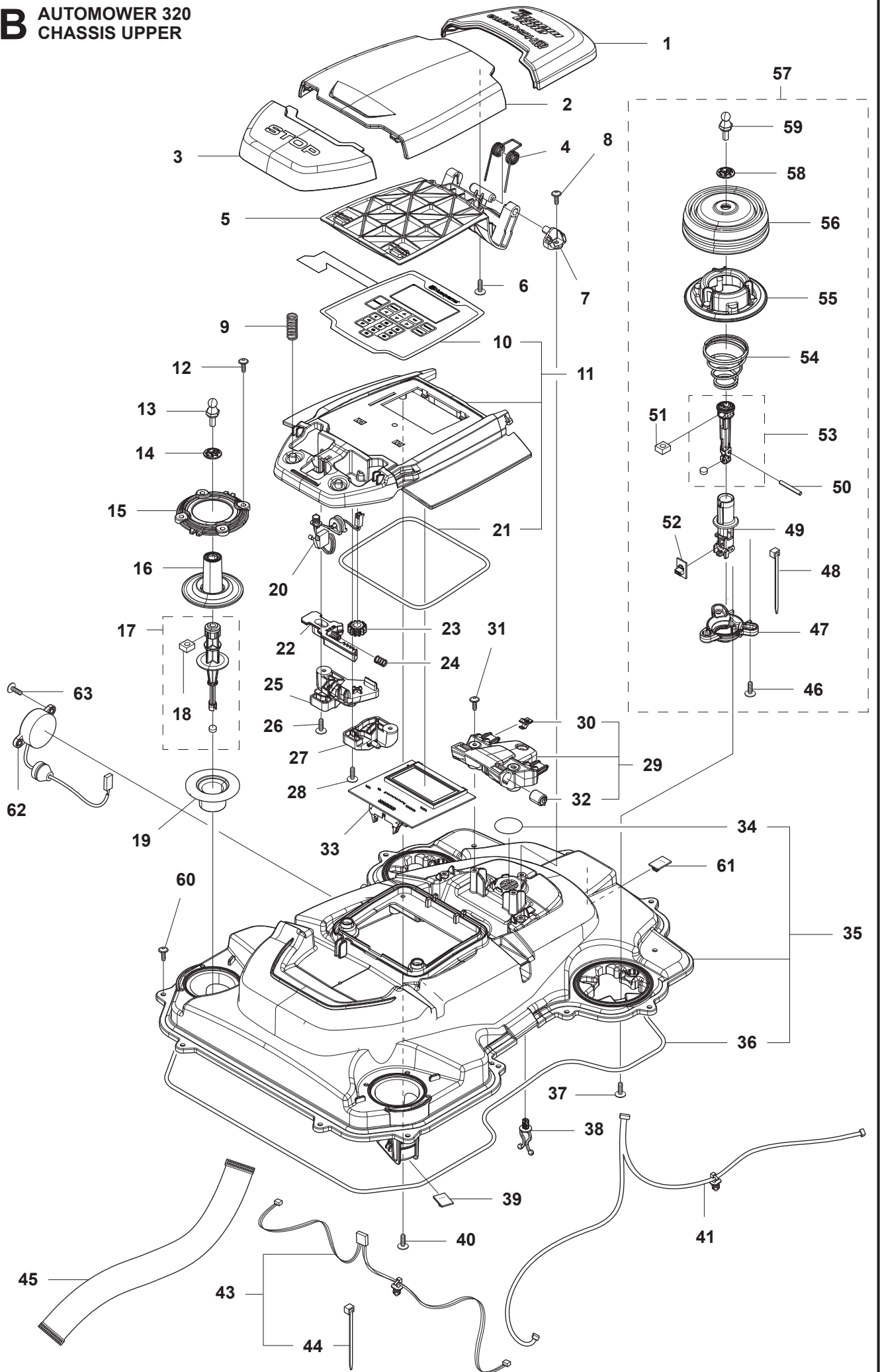
11



12

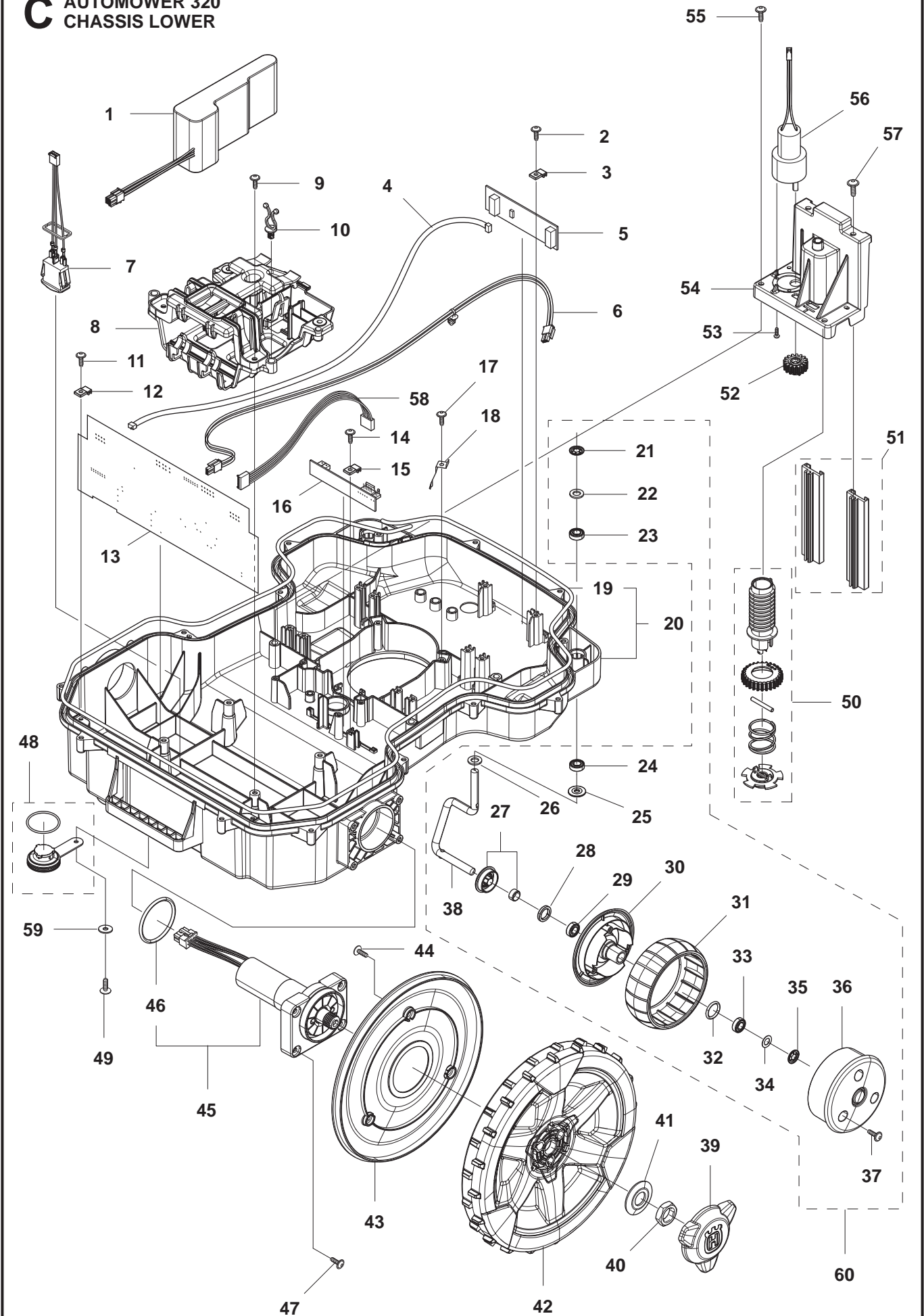
Position	Article	Quantity	Notes	Kit
1	580 76 63-02	1	BODY SYSTEM	
2	581 62 04-01	1	BODY KIT	1
3	575 54 33-14	1	SCREW	1
4	580 35 19-01	1	SHIELD	1
5	581 62 05-01	1	HOLDER KIT	1
6	575 54 33-14	2	SCREW	1
7	580 25 73-01	1	LOOM	1
8	580 87 78-01	2	SCREW ITXPANT	1
9	579 53 30-01	1	COVER	1
10	579 53 30-02	1	COVER	1
11	579 51 98-02	1	BUMPER	1
12	574 45 01-01	4	SCREW ITXPANT	1
13	580 52 68-01	4	CAP	1, 2
14	579 72 48-01	1	LABEL	1, 2
15	574 38 21-01	1	DECAL	1, 2
16	734 11 37-41	2	WASHER	1, 2

# B AUTOMOWER 320 CHASSIS UPPER



Position	Article	Quantity	Notes	Kit
1	579 45 83-01	1	COVER	
2	579 45 85-01	1	HATCH	
3	579 45 81-01	1	BUTTON	
4	580 67 30-01	1	TORSION SPRING	
5	579 45 86-01	1	HINGE	
6	575 54 33-14	2	SCREW	
7	579 45 87-01	2	HINGE PIN	
8	575 54 33-14	2	SCREW	
9	535 13 01-01	2	SPRING	
10	579 62 79-01	1	KEYBOARD	11
11	581 62 06-01	1	COVER KIT	
12	574 45 01-01	8	SCREW ITXPANT	
13	580 52 67-01	2	STUD	
14	579 52 57-01	2	WASHER	
15	579 52 59-01	2	RING FASTENER	
16	577 52 58-01	2	RUBBER GAITERS	
17	579 24 88-01	2	COLUMN, kit	
18	503 22 66-01	2	SQUARE NUT	17
19	535 14 32-01	2	DEFLECTION LIMITER	
20	574 48 03-01	1	SWITCH	
21	574 87 47-06	1	SEALING STRIP, Ø5 mm	11
21	581 90 32-02	1	SEALING STRIP, Ø5 mm, 10 PCS	
22	579 45 88-01	2	LOCKING PLATE	
23	579 45 84-01	1	GEAR WHEEL	
24	576 24 22-01	2	SPRING	
25	579 50 50-01	1	BRACKET	
26	575 54 33-14	2	SCREW	
27	579 50 50-02	1	BRACKET	
28	575 54 33-14	2	SCREW	
29	581 62 07-01	1	SUPPORT KIT	
30	580 35 45-01	2	CLIP	29
31	575 54 33-14	3	SCREW	
32	580 35 23-01	2	DAMPER	29
33	578 12 71-01	1	PRINTED CIRCUIT ASSY	
34	577 75 37-01	1	AIR KIT (10 pcs)	35
35	581 62 08-01	1	CHASSIS KIT	
36	574 87 47-05	1	SEALING STRIP, Ø5 mm	35
36	581 90 32-01	1	SEALING STRIP, Ø5 mm, 10 PCS	
37	574 45 01-01	6	SCREW ITXPANT	
38	580 68 29-01	2	HOLDER	
39	579 66 91-01	1	PRINTED CIRCUIT ASSY	
40	575 54 33-14	4	SCREW	
41	581 66 09-01	1	LOOM KIT	
43	581 62 11-01	1	LOOM KIT	
44	900 23 87-08	2	TIE WRAP	43
45	579 70 62-01	1	LOOM	
46	575 54 33-14	6	SCREW	57
47	579 48 47-01	2	SEAT	57
48	900 23 87-08	2	TIE WRAP	57
49	579 48 46-01	2	JOYSTICK	57
50	720 12 77-06	2	PARALLEL PIN	57
51	503 22 66-01	2	SQUARE NUT	53, 57
52	579 66 90-01	2	PRINTED CIRCUIT ASSY	57
53	583 94 33-02	2	ROD KIT	57
54	580 67 25-01	2	SPRING	57
55	579 48 48-01	2	RETAINER	57
56	579 47 46-01	2	BELLOWS	57
57	581 62 09-02	2	JOYSTICK KIT	
58	579 52 57-01	2	WASHER	57
59	580 52 67-01	2	STUD	57
60	574 45 01-01	14	SCREW ITXPANT	
61	579 66 91-01	1	PRINTED CIRCUIT ASSY	
62	579 70 63-02	1	BUZZER	
63	575 54 33-14	2	SCREW	

# C AUTOMOWER 320 CHASSIS LOWER



Position	Article	Quantity	Notes	Kit
1	580 68 33-01	1	BATTERY	
2	575 54 33-14	2	SCREW	
3	579 52 94-01	2	CLAMP	
4	579 70 82-01	1	LOOM	
5	579 66 02-01	1	PRINTED CIRCUIT ASSY	
6	580 37 07-01	1	LOOM	
7	579 70 87-01	1	SWITCH, On Off	
8	580 60 96-01	1	HOLDER	
9	574 45 01-01	5	SCREW ITXPANT	
10	580 68 29-01	7	HOLDER	
11	575 54 33-14	2	SCREW	
12	579 52 94-01	2	CLAMP	
13	578 42 54-03	1	PRINTED CIRCUIT ASSY	
14	575 54 33-14	1	SCREW	
15	579 52 94-01	1	CLAMP	
16	579 72 85-01	1	PRINTED CIRCUIT ASSY	
17	575 54 33-14	2	SCREW	
18	581 55 61-01	2	SPRING	
19	574 87 47-05	1	SEALING STRIP, Ø5 mm	
19	581 90 32-01	1	SEALING STRIP, Ø5 mm, 10 PCS	
20	581 62 17-01	1	CHASSIS KIT	
21	576 01 93-01	2	LOCK WASHER	60
22	580 76 46-01	2	WASHER	60
23	580 60 51-01	2	BALL BEARING	60
24	580 60 51-01	2	BALL BEARING	60
25	535 08 78-03	2	WASHER	60
26	580 76 46-01	2	WASHER	60
27	581 62 15-01	2	SHEILD KIT	60
28	580 48 71-01	2	SEALING	60
29	580 60 51-01	2	BALL BEARING	60
30	579 45 71-01	2	WHEEL	60
31	574 44 98-01	2	WHEEL	60
32	580 44 51-01	2	O-RING	60
33	580 60 51-01	2	BALL BEARING	60
34	580 76 46-01	2	WASHER	60
35	576 01 93-01	2	LOCK WASHER	60
36	579 45 72-01	2	WHEEL	60
37	575 54 33-14	6	SCREW	60
38	580 33 61-01	2	SPINDLE	60
39	579 50 55-01	2	HUB CAP	
40	731 43 24-01	2	HEXAGON THIN NUT	
41	586 21 06-01	2	SPRING WASHER	
42	579 50 60-01	2	REAR WHEEL	
43	579 50 56-02	2	COVER	
44	575 54 33-14	6	SCREW	
45	581 62 13-01	2	MOTOR KIT	
46	580 44 39-01	2	O-RING	45
47	574 45 01-01	8	SCREW ITXPANT	
48	581 62 12-01	1	PLUG KIT	
49	575 54 33-14	1	SCREW	
50	581 62 16-01	1	SCREW KIT	
51	581 62 18-01	1	BEARING KIT	
52	579 56 47-01	1	GEAR	
53	510 01 87-03	3	SCREW	
54	579 56 51-01	1	HOUSING	
55	575 54 33-14	4	SCREW	
56	580 34 21-01	1	MOTOR	
57	510 72 29-01	2	SCREW ITXPANT	
58	579 70 80-01	1	LOOM	
59	734 11 37-41	1	WASHER	
60	581 62 14-01	2	WHEEL ASSY	

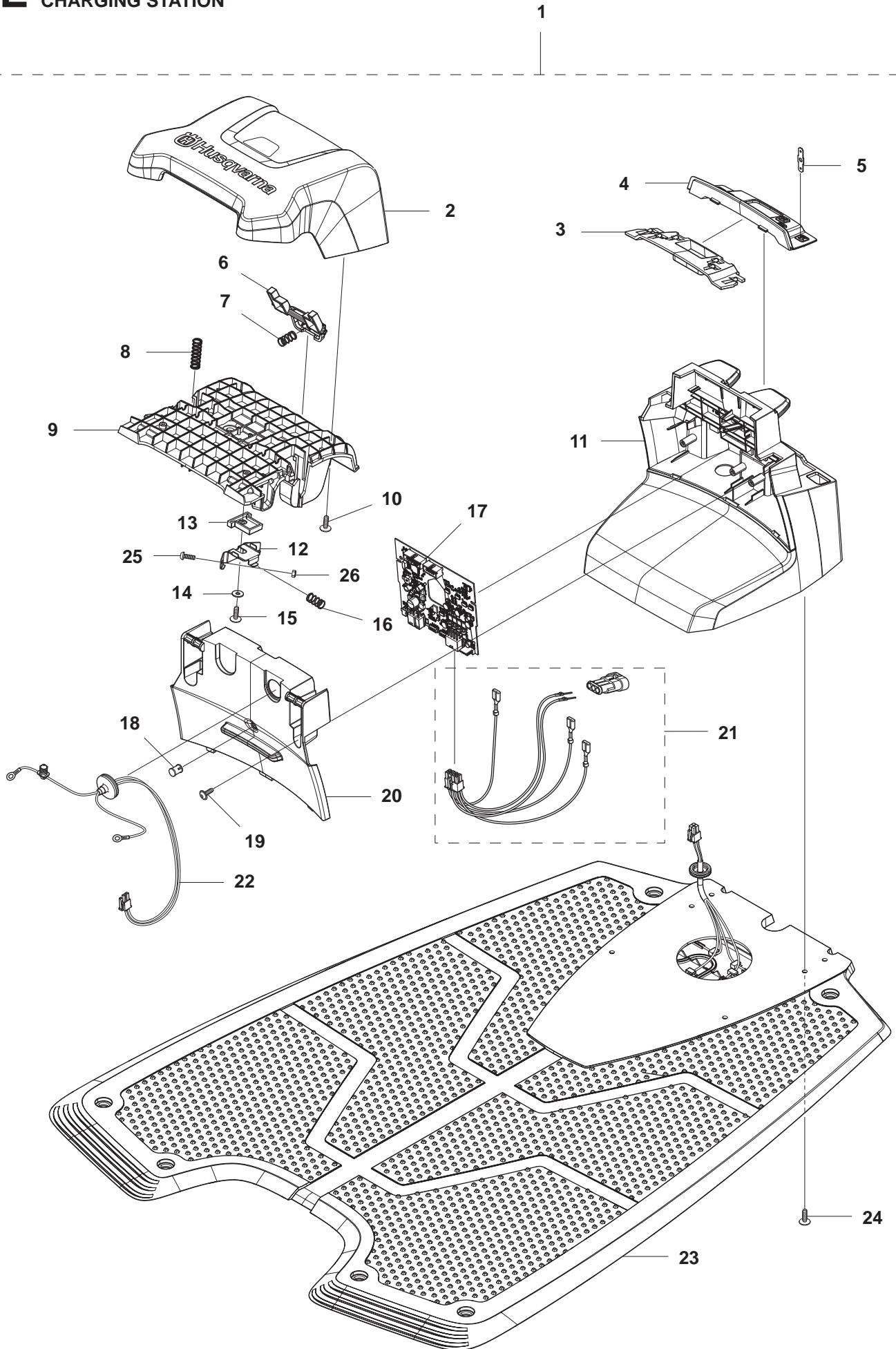




## BLADE MOTOR &amp; CUTTING EQUIPMENT

Position	Article	Quantity	Notes	Kit
1	580 62 44-01	1	SPRING	
2	579 56 46-01	1	LINK	
3	575 54 33-14	3	SCREW	
4	581 62 18-01	1	BEARING KIT	
5	579 56 45-01	1	HOUSING	
6	580 75 41-01	1	TIE WRAP	7
7	581 62 21-01	1	BELLOWS KIT	
8	580 23 48-01	1	MOTOR ASSY	
9	575 54 33-14	4	SCREW	
10	580 79 30-02	1	CUTTING DISC	
11	535 13 05-01	3	SCREW	
12	535 12 64-01	1	BEARING BOX	
13	535 07 57-03	2	BALL BEARING	
14	535 07 60-01	1	SCREW	
15	581 62 19-01	1	PLATE KIT	
16	535 08 25-01	1	GASKET	15
17	535 08 15-01	1	COVER WASHER	
18	575 54 33-10	4	SCREW	

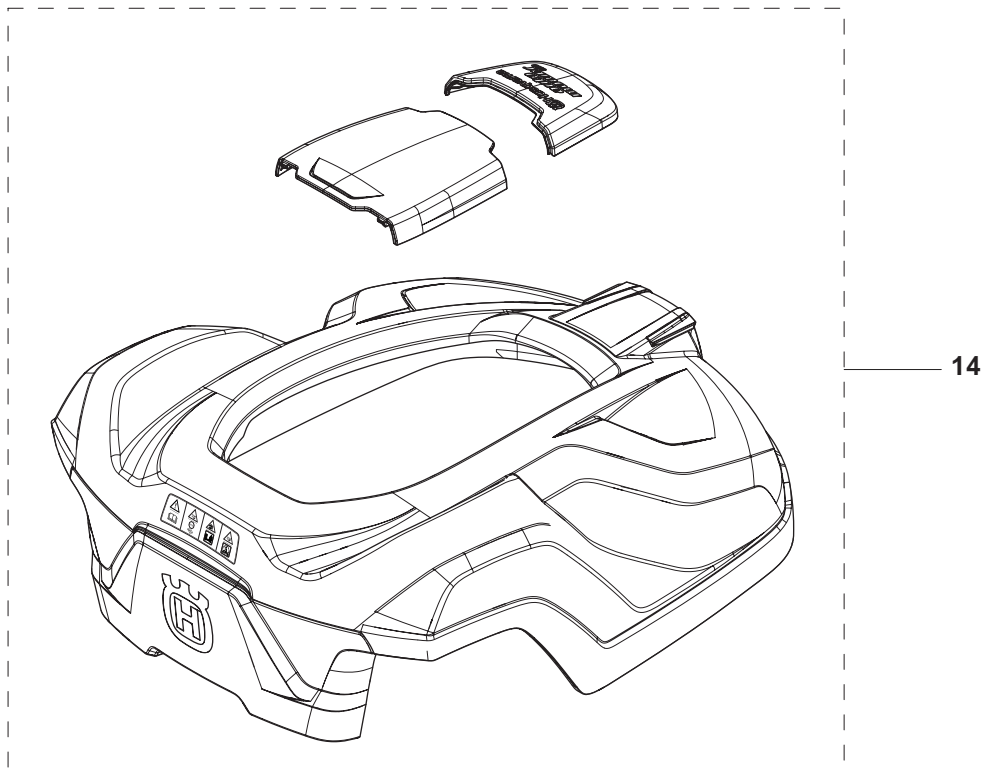
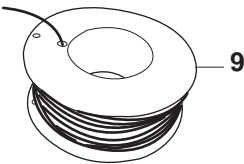
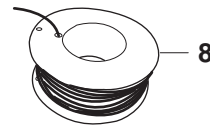
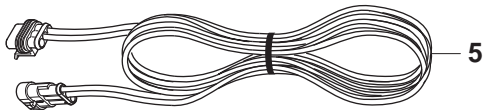
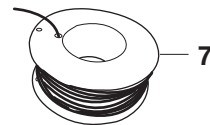
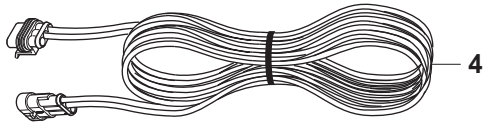
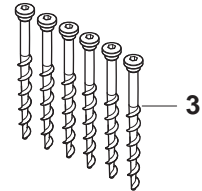
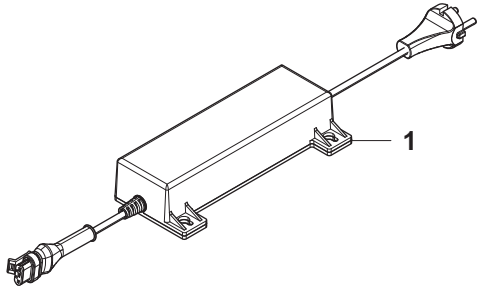
# E AUTOMOWER 320 CHARGING STATION



## CHARGING STATION

Position	Article	Quantity	Notes	Kit
1	580 76 55-01	1	CHARGING STATION	
2	579 44 82-03	1	CAP	1
3	579 45 99-01	1	HOLDER	1
4	579 45 98-01	1	PANEL	1
5	580 50 41-01	3	TERMINAL	1
6	579 46 24-02	1	BUTTON	1
7	574 48 70-01	1	SPRING	1
8	580 51 14-01	2	SPRING	1
9	579 45 80-02	1	FRAME	1
10	575 54 33-14	4	SCREW	1
11	579 46 23-02	1	HOUSING	1
12	579 54 30-01	2	CHARGING PLATE	1
13	579 46 05-01	2	DISTANCE	1
14	734 11 37-41	2	WASHER	1
15	575 54 33-14	2	SCREW	1
16	580 51 14-01	2	SPRING	1
17	579 56 55-01	1	PRINTED CIRCUIT ASSY	1
18	535 12 87-02	1	DIODE LENS	1
19	575 54 33-14	2	SCREW	1
20	579 45 97-04	1	LID	1
21	581 62 23-01	1	LOOM KIT	1
22	579 70 85-01	1	LOOM	1
23	575 23 16-01	1	CHARGING PLATE	1
24	575 54 33-14	4	SCREW	1
25	576 21 38-01	2	SCREW ITXPANM	1
26	732 25 12-01	2	HEXAGON LOCKING NUT	1

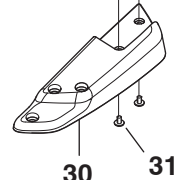
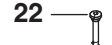
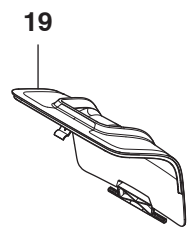
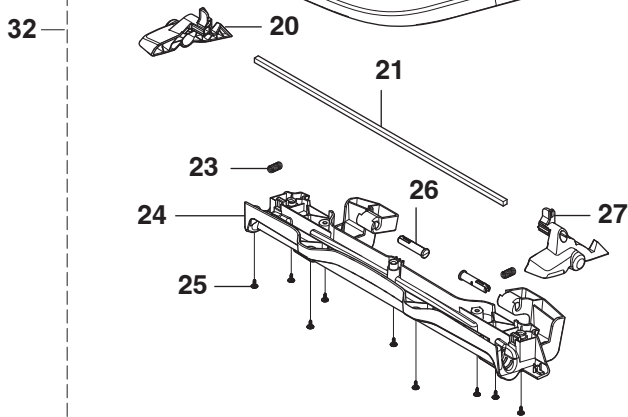
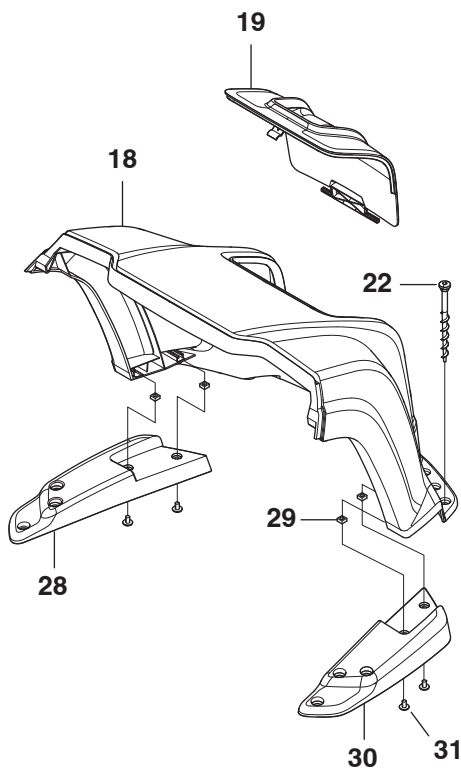
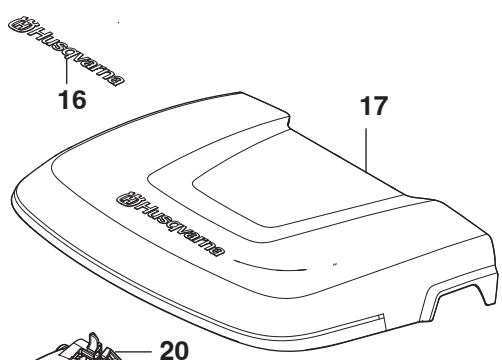
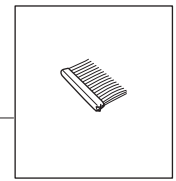
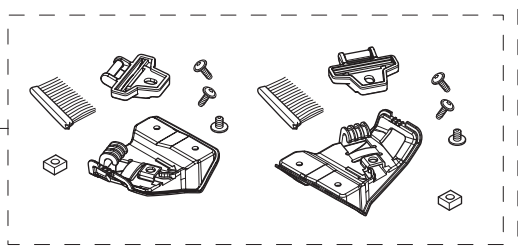
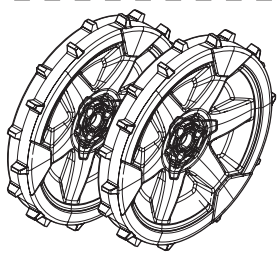
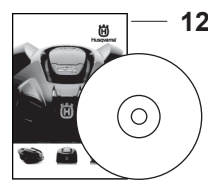
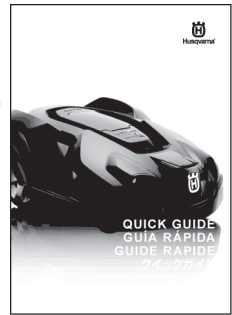
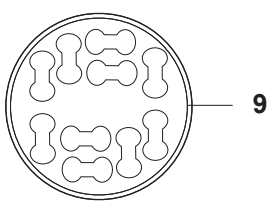
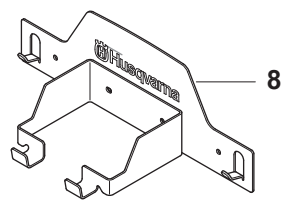
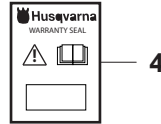
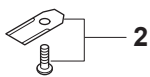
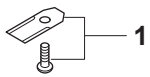
# F AUTOMOWER 320 ACCESSORIES



## ACCESSORIES

Position	Article	Quantity	Notes	Kit
1	580 38 07-01	1	TRANSFORMER (EU)	
1	580 38 07-02	1	TRANSFORMER (UK/IRL)	
1	580 38 07-03	1	TRANSFORMER (CH)	
1	580 38 07-04	1	TRANSFORMER (US/MX)	
1	580 38 07-05	1	TRANSFORMER (AU/NZ)	
2	577 86 42-01	1	STAPLE, 105 mm, Blister pack, 100pcs	
2	583 97 34-01	1	STAPLE, 85 mm, 100pcs	
3	575 23 86-01	1	SCREW KIT, 6pcs	
3	577 86 49-01	1	SCREW KIT, Blister Pack, 3pcs	
4	580 43 38-01	1	WIRING (20m)	
5	580 43 38-02	1	WIRING (10m)	
7	580 66 20-02	1	WIRE (150m)	
7	577 86 43-01	1	WIRE, Blister pack, (150m)	
8	580 66 20-01	1	WIRE (250m)	
9	522 91 41-01	1	WIRE (500m, Ø3.4 mm)	
10	535 12 90-01	1	Loop Wire Connector	
10	577 86 48-01	1	Loop Wire Connector, Blister Pack, 5pcs	
11	501 98 02-01	1	COUPLER	
11	577 86 47-01	2	COUPLER, Blister pack, 5pcs	
11	501 98 02-03	1	COUPLER, 100pcs	
12	544 17 75-01	1	MEASURING TAPE	
13	579 57 12-01	1	LABEL	
14	580 96 56-01	1	BODY KIT White	

# G AUTOMOWER 320 ACCESSORIES



## ACCESSORIES

Position	Article	Quantity	Notes	Kit
1	535 13 87-02	1	BLADE, Carbon steel, 9pcs	
1	577 86 44-01	1	BLADE, Carbon steel, Blister Pack, 9pcs	
1	535 13 88-02	1	BLADE, Carbon steel, 30pcs	
1	505 12 78-02	1	BLADE, Carbon steel, 500pcs	
2	577 60 64-02	1	BLADE, Carbon steel, Thick, 9pcs	
2	577 86 46-01	1	BLADE, Carbon steel, Thick, Blister Pack, 9pcs	
2	577 60 65-02	1	BLADE, Carbon steel, Thick, 30pcs	
2	577 60 66-02	1	BLADE, Carbon steel, Thick, 300pcs	
3	577 85 81-02	1	DVD Autocheck EXP	
4	580 68 95-02	1	Warranty Seal 1pcs	
4	584 90 22-01	1	Warranty Seal 10pcs	
5	577 60 68-01	1	Interruption detector	
6	577 51 81-01	1	Service cable (USB)	
7	522 91 67-01	1	BAG	
8	585 01 97-01	1	WALL HANGER	
9	586 27 79-01	1	STICKER, Cable markers, 10 pcs	
10	115 59 41-01	1	OPERATOR'S MANUAL, Swedish	
10	115 59 41-06	1	OPERATOR'S MANUAL, Danish	
10	115 59 41-11	1	OPERATOR'S MANUAL, Finnish	
10	115 59 41-21	1	OPERATOR'S MANUAL, Norwegian	
10	115 59 41-26	1	OPERATOR'S MANUAL, English	
10	115 59 41-31	1	OPERATOR'S MANUAL, French	
10	115 59 41-36	1	OPERATOR'S MANUAL, Dutch	
10	115 59 41-41	1	OPERATOR'S MANUAL, Italian	
10	115 59 41-46	1	OPERATOR'S MANUAL, Spanish	
10	115 59 41-51	1	OPERATOR'S MANUAL, German	
10	115 59 41-58	1	OPERATOR'S MANUAL, Hungarian	
10	115 59 41-59	1	OPERATOR'S MANUAL, Portuguese	
10	115 59 41-61	1	OPERATOR'S MANUAL, Polish	
10	115 59 41-62	1	OPERATOR'S MANUAL, Romanian	
10	115 59 41-63	1	OPERATOR'S MANUAL, Estonian	
10	115 59 41-64	1	OPERATOR'S MANUAL, Latvian	
10	115 59 41-65	1	OPERATOR'S MANUAL, Lithuanian	
10	115 59 41-68	1	OPERATOR'S MANUAL, Slovak	
10	115 59 41-76	1	OPERATOR'S MANUAL, Turkish	
10	115 59 41-79	1	OPERATOR'S MANUAL, Japanese	
10	115 59 41-81	1	OPERATOR'S MANUAL, Croatian	
10	115 59 41-84	1	OPERATOR'S MANUAL, Slovenian	
10	115 59 41-90	1	OPERATOR'S MANUAL, Czech	
11	115 59 35-10	1	QUICK GUIDE, Swedish, Danish, Norwegian, Finnish	
11	115 59 35-20	1	QUICK GUIDE, German, French, Dutch, Slovenian	
11	115 59 35-30	1	QUICK GUIDE, Spanish, Portuguese, Italian, English	
11	115 59 35-38	1	QUICK GUIDE, English, Spanish, French, Japanese	
11	115 59 35-39	1	QUICK GUIDE, German, French, Italian, English	
11	115 59 35-40	1	QUICK GUIDE, Russian, Estonian, Latvian, Lithuanian	
11	115 59 35-50	1	QUICK GUIDE, Czech, Slovak, Polish, Hungarian	
11	115 59 35-93	1	QUICK GUIDE, Croatian, Turkish, Romanian, Greek	
12	585 38 53-01	1	DVD OPERATOR'S MANUAL	
13	581 90 31-01	1	BRUSH KIT, Incl Brush, 6pcs	
14	581 88 97-01	1	REAR WHEEL, Kit Incl. Brush kit	
15	581 98 20-01	1	BRUSH, 6pcs	14
16	577 46 90-01	1	DECAL	32
17	586 88 58-01	1	COVER LID	32
18	585 32 34-01	1	COVER BASE	32
19	585 32 36-01	1	HATCH	32
20	585 32 40-02	1	HANDLE LEFT	32
21	585 32 41-01	1	STEEL ROD	32
22	575 23 86-01	1	SCREW KIT, 6 PCS	32
23	580 51 14-01	2	SPRING	32
24	585 34 16-01	1	BEAM	32
25	575 54 33-14	9	SCREW	32
26	585 34 15-01	2	HINGE PIN	32
27	585 32 40-01	1	HANDLE RIGHT	32
28	585 32 38-02	1	SUPPORT BASE LEFT	32
29	503 22 66-01	4	SQUARE NUT	32
30	585 32 38-01	1	SUPPORT BASE RIGHT	32
31	535 12 93-03	4	SCREW	32
32	585 01 94-01	1	HOUSE KIT	