

308

2014

Spare parts

Ersatzteile

Pièces détachées

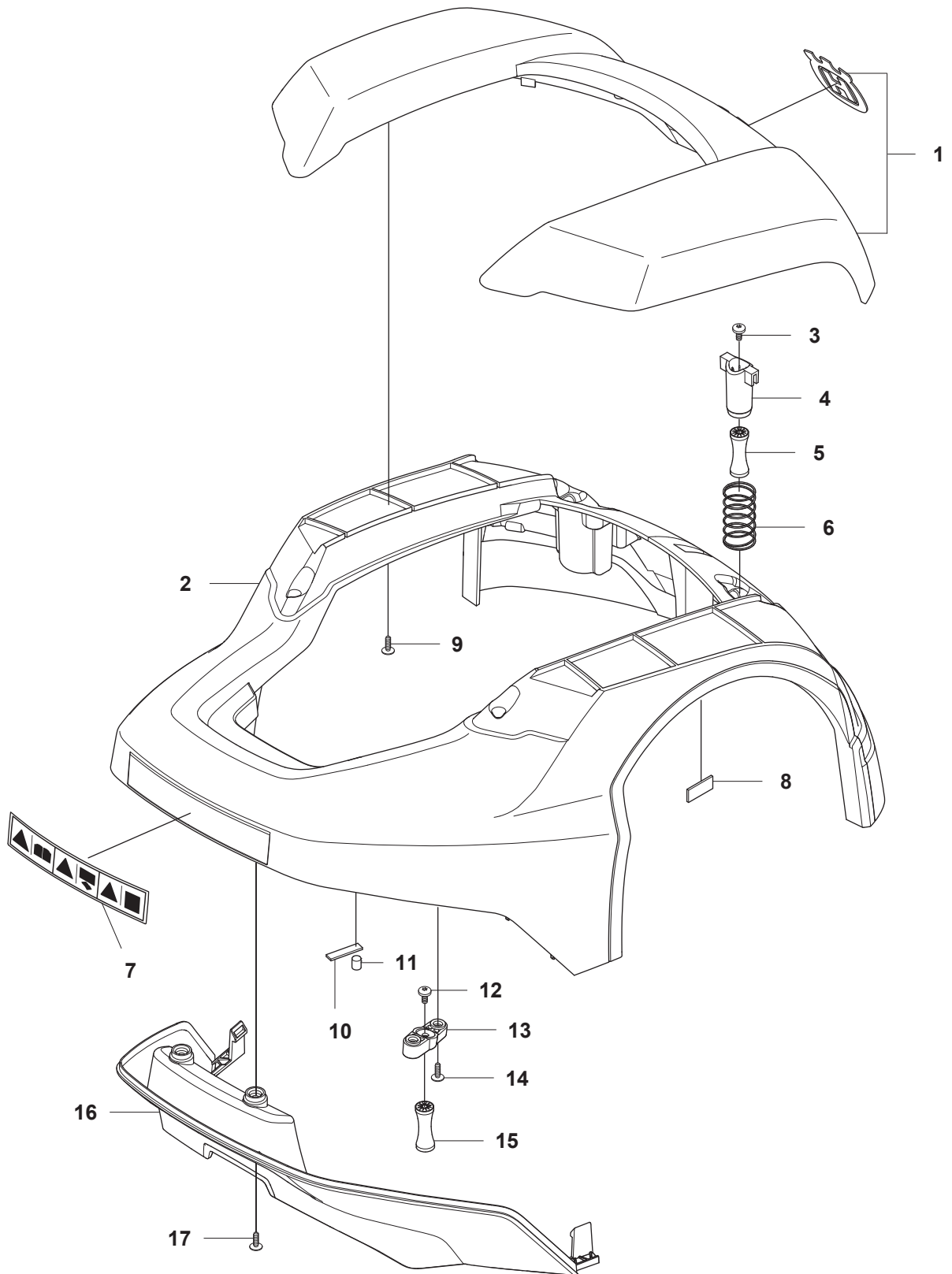
Reserve onderdelen

Repuestos

Reservdelar

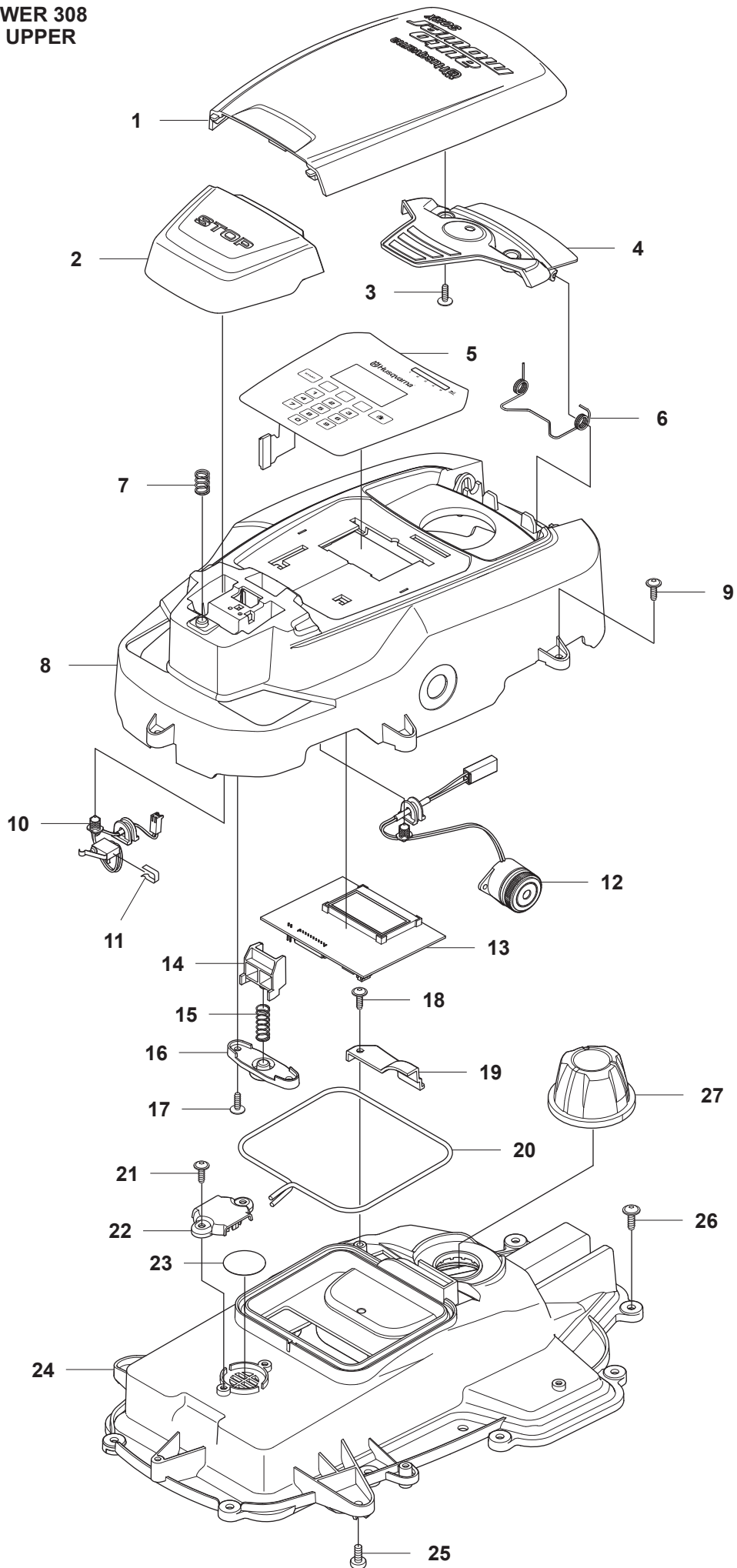
A AUTOMOWER 308
COVER

18



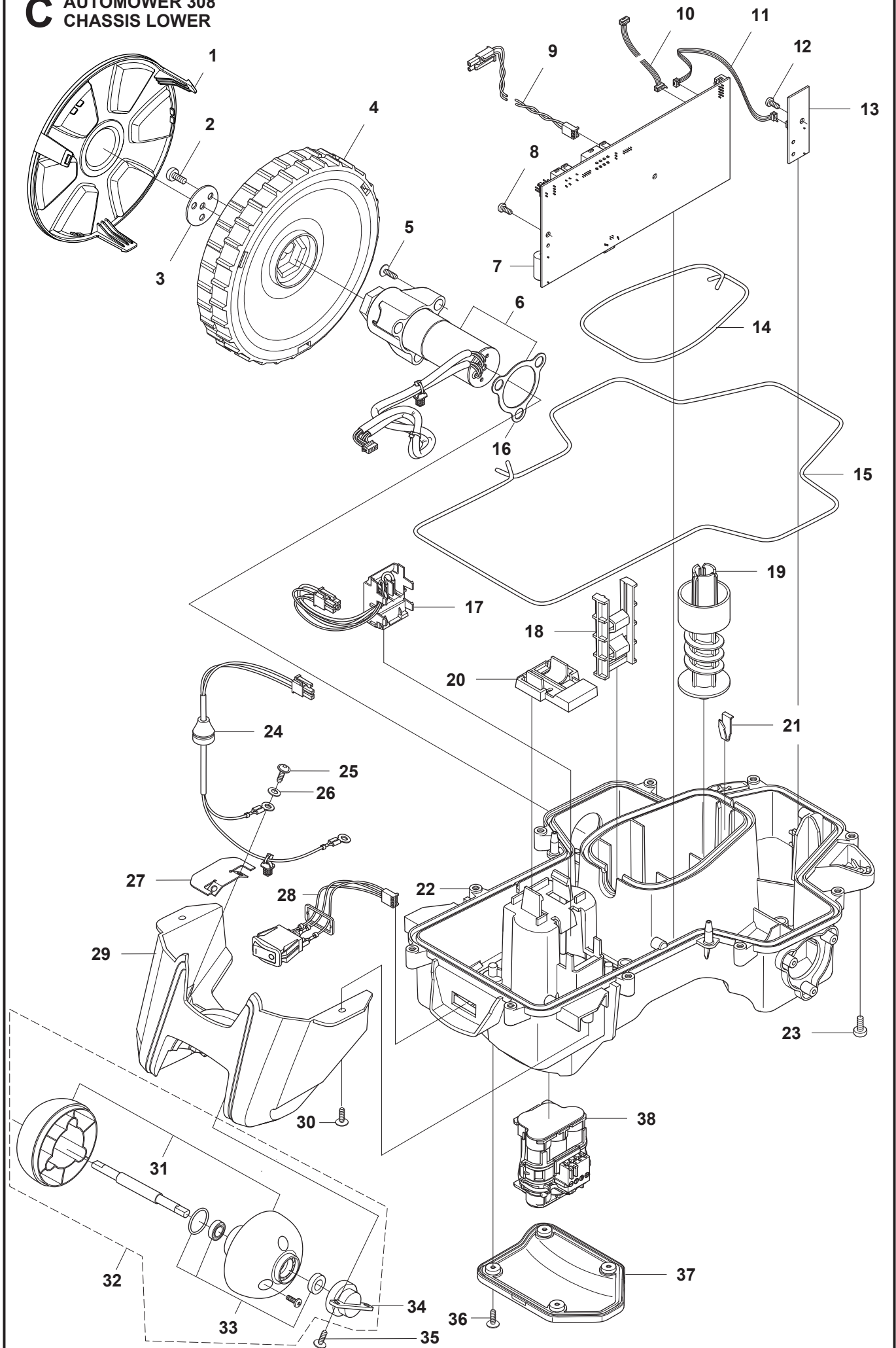
Position	Article	Quantity	Notes	Kit
1	577 73 47-02	1	Bumper front, Grey	
2	577 74 72-02	1	Main body kit	
3	576 21 39-01	2	Screw M5x12	
4	574 46 90-02	2	Bracket, lift sensor	
5	574 46 91-02	2	Rubber damper	
6	574 48 51-02	2	Spring, lift sensor	
7	576 24 00-01	1	Warning label	3
8	576 18 32-01	1	Magnet, lift sensor	3
9	575 54 33-14	7	Screw, grey (14mm)	
10	576 03 01-01	1	Plate, collision sensor	3
11	576 18 33-01	1	Magnet, collision sensor	3
12	576 21 39-01	2	Screw M5x12	
13	575 41 60-02	2	Support clamp	
14	575 54 33-14	4	Screw, grey (14mm)	
15	574 46 91-02	2	Rubber damper	
16	574 46 52-01	1	Bumper, rear	
17	575 54 33-14	2	Screw, grey (14mm)	
18	577 95 53-02	1	Cover, Kit Complete, Grey	

B AUTOMOWER 308
CHASSIS UPPER



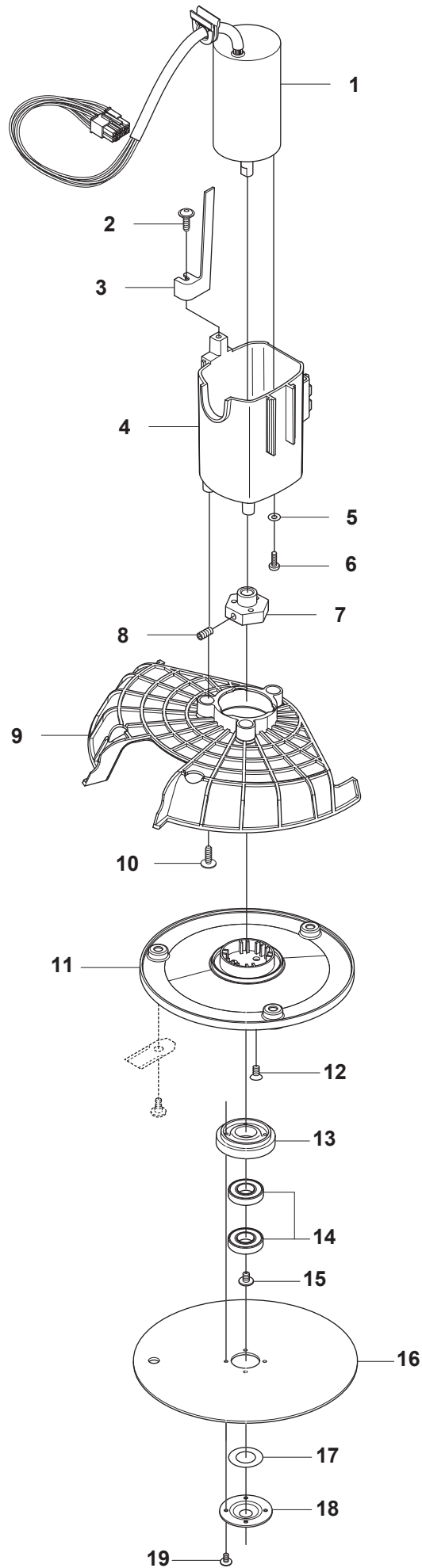
Position	Article	Quantity	Notes	Kit
1	580 79 29-02	1	Cover, height adjustment, GREY	
2	574 46 47-01	1	Stop button	
3	575 54 33-14	2	Screw, grey (14mm)	
4	574 37 79-01	1	Hinge, height adjustment lid	
5	575 77 94-01	1	Keyboard	8
6	576 24 21-01	1	Spring, height adjustment lid	
7	574 48 70-01	1	Spring, stop button	
8	577 75 28-02	1	Display cover kit incl. sealing & keypad	
9	575 54 33-14	5	Screw, grey (14mm)	
10	574 48 03-01	1	Micro switch, stop button	
11	535 08 98-01	1	Clip, stop button	
12	574 47 59-01	1	Buzzer, display cover	
13	575 64 01-01	1	Display/MMI, circuit board	
14	575 40 90-01	1	Lock, stop button	
15	576 24 22-01	1	Spring lock, stop button	
16	575 41 58-01	1	Spring holder, stop button	
17	575 54 33-14	2	Screw, grey (14mm)	
18	575 54 33-14	1	Screw, grey (14mm)	
19	576 05 39-01	1	Cover, height indicator	
20	577 75 36-01	1	Sealing strip kit (10 pcs, Ø4mm)	
20	574 87 47-04	1	Sealing strip (Ø4mm)	
21	575 54 33-14	2	Screw, grey (14mm)	
22	576 69 70-01	1	Cover, air filter	
23	577 75 37-01	1	Air filter kit (10 pcs)	
24	577 75 29-02	1	Chassis upper kit incl. sealing & air filter	
25	576 21 39-01	2	Screw	
26	574 45 01-01	10	Screw	
27	579 74 24-01	1	Knob, kit incl. label	

C AUTOMOWER 308
CHASSIS LOWER



Position	Article	Quantity	Notes	Kit
1	577 70 79-01	2	Hub cap, drive wheel	
2	576 21 39-02	6	Screw	
3	577 09 32-01	2	Washer, drive wheel	
4	574 46 51-01	2	Wheel, drive wheel	
5	575 54 33-14	6	Screw, grey (14mm)	
6	577 83 99-04	2	Wheel motor kit incl. Sealing	
7	581 22 10-01	1	Main circuit board (MCB)	
8	535 13 03-10	2	Screw (10mm)	
9	576 22 02-01	1	Loom, buzzer extension	
10	574 47 92-01	1	Loom, display	
11	574 47 90-01	1	Loom, loop and lift sensor	
12	535 13 03-10	1	Screw (10mm)	
13	575 64 09-01	1	PCB sensor board	
14	577 75 36-01	1	Sealing strip kit (10 pcs, Ø4mm)	
14	574 87 47-04	1	Sealing strip (Ø4mm)	
15	577 84 36-01	1	Sealing strip kit, chassis (10 pcs, Ø4mm)	
15	574 87 47-03	1	Sealing strip, chassis (Ø4mm)	
16	574 37 37-01	2	Sealing/gasket, motor flange	6
17	574 47 98-01	1	Loom, Li-Ion battery	
18	574 50 19-01	2	Guide rail, motor bowl	
19	574 48 46-01	1	Height adjustment screw	
20	575 40 82-01	1	Lock, battery plug	
21	577 10 32-01	1	Locking spring	
22	577 84 62-02	1	Chassis lower kit, incl sealing	
23	576 21 39-01	2	Screw	
24	574 47 77-02	1	Loom, charge plate	
25	575 54 33-14	2	Screw, grey (14mm)	
26	535 08 74-01	2	Washer, vulcanized fiber	
27	574 49 00-01	2	Charge plate	
28	579 70 87-01	1	Swith ON/OFF with Seal	
29	574 46 72-01	1	Housing, rear wheel	
30	575 54 33-14	3	Screw, grey (14mm)	
31	583 85 39-01	1	Rear wheel kit	32
32	578 27 51-01	1	Rear wheel kit complete	
33	578 27 52-01	1	Bearing (x2), sealing (x2), O-ring (x1)	32
34	577 71 50-01	2	Bearing housing, rear wheel	32
35	575 54 33-14	4	Screw, grey (14mm)	
36	574 45 01-01	4	Screw	
37	574 46 73-01	1	Cover, battery	
38	574 47 68-01	1	Battery, Lithium 18V	

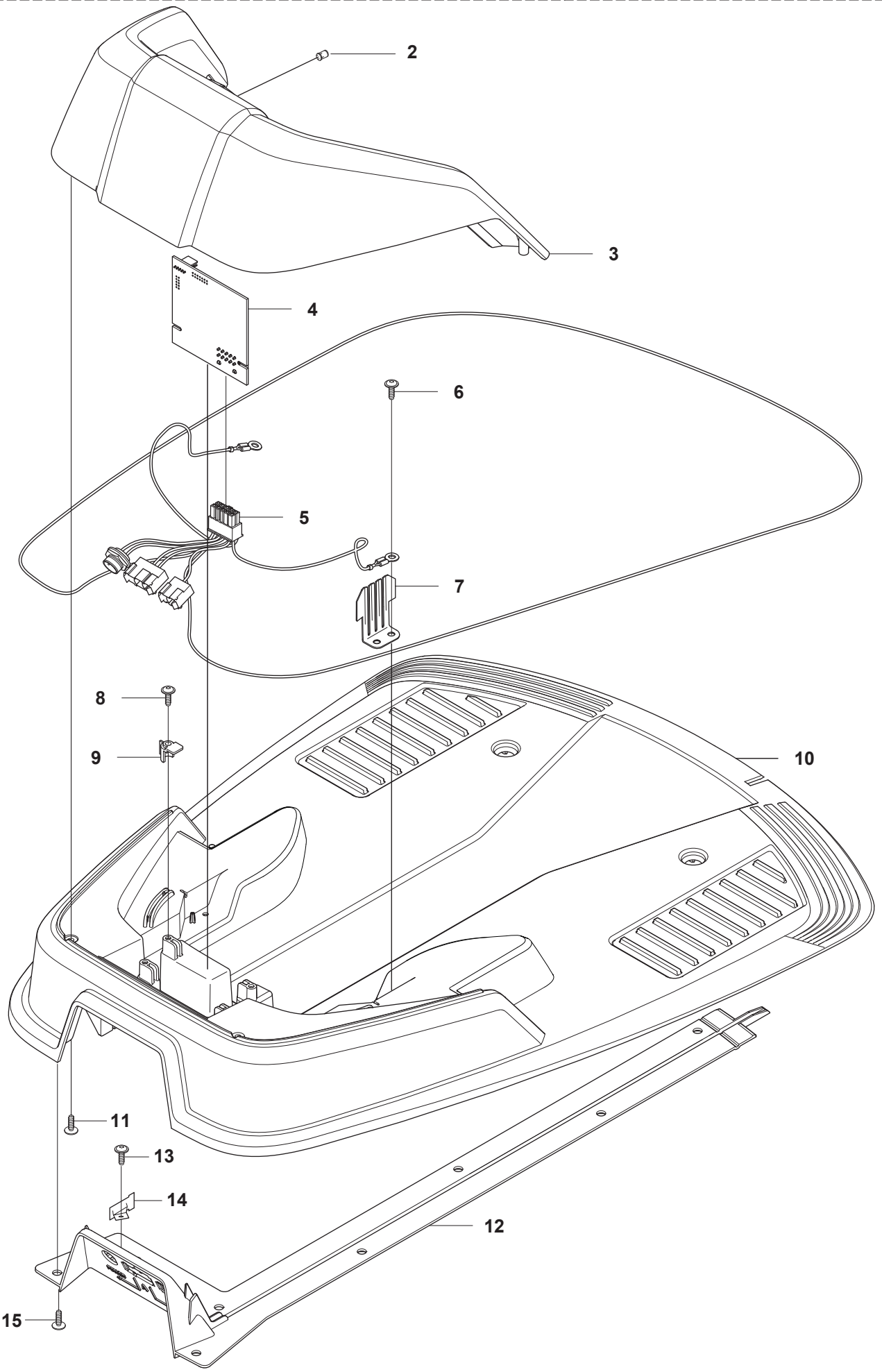
D AUTOMOWER 308
BLADE MOTOR & CUTTING EQUIPMENT



Position	Article	Quantity	Notes	Kit
1	584 98 93-01	1	Cutting motor	
2	575 54 33-14	1	Screw, grey (14mm)	
3	574 50 35-01	1	Height indicator	
4	581 02 03-01	1	Motor housing	
5	510 01 95-01	3	Washer, steel	
6	576 21 38-01	3	Screw M4x12	
7	580 79 31-01	1	Hub, cutting motor	
8	576 21 35-01	1	Stop screw	
9	577 85 02-03	1	Guard, cutting disc	
10	575 54 33-14	3	Screw, grey (14mm)	
11	580 79 28-01	1	Cutting disc	
12	535 13 05-01	3	Screw	
13	535 12 64-01	1	Bearing box	
14	535 07 57-02	2	Ball bearing	
15	535 07 60-01	1	Screw	
16	580 79 27-01	1	Skid plate	
17	535 08 25-01	1	Gasket	
18	535 08 15-01	1	Cover washer	
19	575 54 33-10	4	Screw	

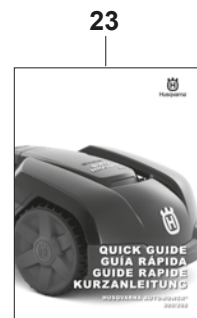
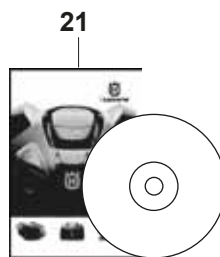
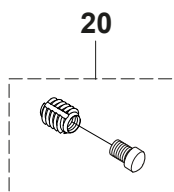
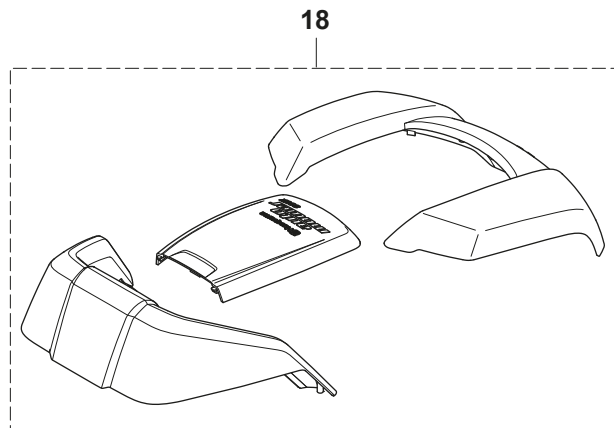
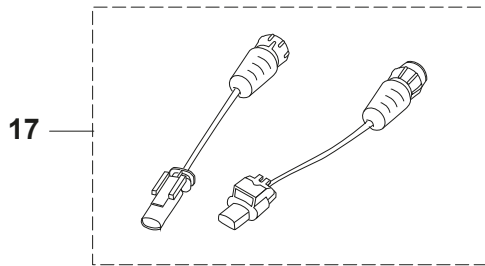
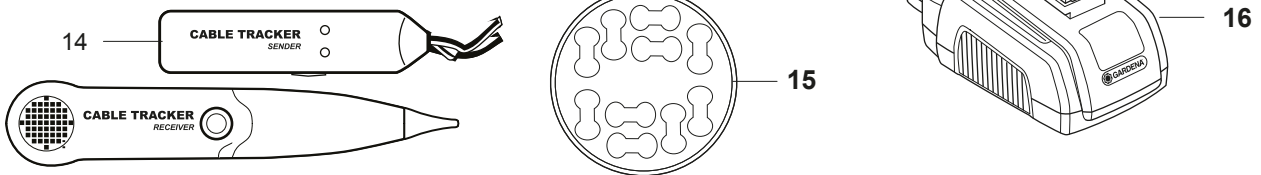
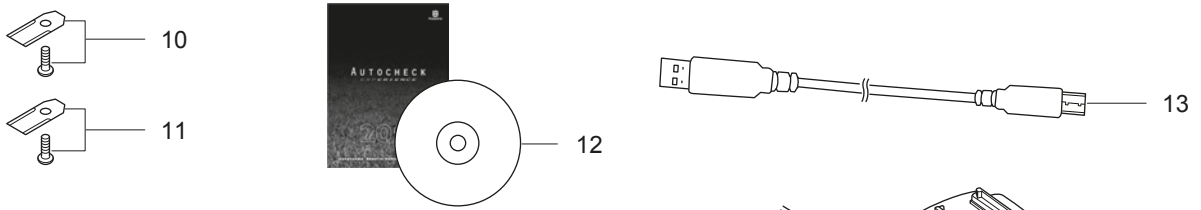
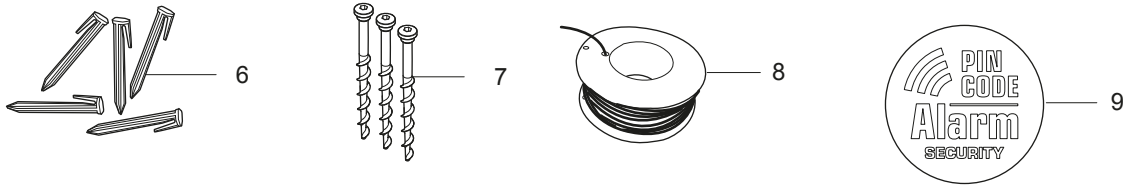
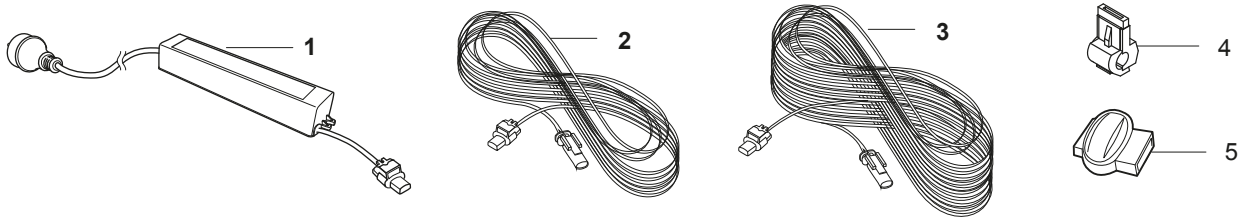
E AUTOMOWER 308
CHARGING STATION

1



Position	Article	Quantity	Notes	Kit
1	576 63 67-07	1	Charging station compl., GREY	
2	535 12 87-02	1	Diode lens	1
3	575 70 84-02	1	Charging station cover, Grey	1
4	576 24 26-01	1	Circuit board, charging station	1
5	581 22 59-01	1	Loom, charging station	1
6	575 54 33-14	2	Screw, grey (14mm)	1
7	575 85 00-01	2	Contacts, charging station	1
8	575 54 33-14	2	Screw, grey (14mm)	1
9	535 12 79-01	2	Bracket	1
10	581 55 19-01	1	Charging station base plate	1
11	575 54 33-14	4	Screw, grey (14mm)	1
12	581 01 17-01	1	Guide cover, charging station	1
13	575 54 33-14	1	Screw, grey (14mm)	1
14	581 01 16-01	1	Bracket connector	1
15	575 54 33-14	4	Screw, grey (14mm)	1

F AUTOMOWER 308 ACCESSORIES



Position	Article	Quantity	Notes	Kit
1	581 14 51-01	1	Transformer (EU)	
1	581 14 51-02	1	Transformer (UK/IR)	
1	581 14 51-03	1	Transformer (CH)	
1	581 14 51-05	1	Transformer (AU/NZ)	
2	581 16 66-01	1	Transformer cable (10 m)	
3	581 16 66-02	1	Transformer cable (20 m)	
4	535 12 90-01	1	Loop wire connector	
4	577 86 48-01	1	Loop wire connector (5pcs), blister pack	
5	501 98 02-01	1	Splice kit (1pcs)	
5	577 86 47-01	1	Splice kit (5 pcs) blister pack	
5	501 98 02-03	1	Splice kit (100pcs)	
6	583 97 34-01	1	Staples (100pcs, 85mm)	
6	577 86 42-01	1	Staples (100pcs, 105mm), blister pack	
7	575 23 86-02	1	Anchor screw kit (3pcs)	
7	577 86 49-01	1	Anchor screw kit (3pcs), blister pack	
8	501 98 03-02	1	Loop wire (150m)	
8	577 86 43-01	1	Loop wire (150m), blister pack	
8	580 66 20-03	1	Loop wire (200m)	
8	580 66 20-01	1	Loop wire (250m)	
9	579 57 12-01	1	Label, anti-theft	
10	535 13 87-02	1	Blades (9pcs), carbon	
10	577 86 44-01	1	Blades (9pcs), carbon, blister pack	
10	535 13 88-02	1	Blades (30pcs), carbon	
10	505 12 78-02	1	Blades (500pcs), carbon	
11	577 60 64-02	1	Blades (9pcs), carbon, extra thick	
11	577 86 46-01	1	Blades (9pcs), carbon extra thick, blister pack	
11	577 60 65-02	1	Blades (30pcs), carbon, extra thick	
11	577 60 66-02	1	Blades (300pcs), carbon, extra thick	
12	577 85 81-02	1	Autocheck EXP - service program DVD	
13	577 51 81-01	1	USB service cable, G3 mowers	
14	577 60 68-01	1	Loop wire interruption detector	
15	586 27 79-01	1	Sticker, Cable markers (10pcs)	
16	966 41 01-01	1	Quick charger	
17	586 18 90-01	1	Low voltage cable adapter kit	
18	580 96 55-01	1	Body, White upgrade kit	
19	580 68 95-02	1	Warranty seal label (1pcs)	
19	584 90 22-01	1	Warranty seal label (10pcs)	
20	581 16 57-01	1	Metal insert repair kit (4pcs)	
21	585 38 53-01	1	DVD Operator's manual	
22	115 59 42-01	1	OPERATOR'S MANUAL, Swedish	
22	115 59 42-06	1	OPERATOR'S MANUAL, Danish	
22	115 59 42-11	1	OPERATOR'S MANUAL, Finnish	
22	115 59 42-21	1	OPERATOR'S MANUAL, Norwegian	
22	115 59 42-26	1	OPERATOR'S MANUAL, English	
22	115 59 42-31	1	OPERATOR'S MANUAL, French	
22	115 59 42-32	1	OPERATOR'S MANUAL, CA French	
22	115 59 42-36	1	OPERATOR'S MANUAL, Dutch	
22	115 59 42-41	1	OPERATOR'S MANUAL, Italian	
22	115 59 42-46	1	OPERATOR'S MANUAL, Spanish	
22	115 59 42-51	1	OPERATOR'S MANUAL, German	
22	115 59 42-56	1	OPERATOR'S MANUAL, Russian	
22	115 59 42-58	1	OPERATOR'S MANUAL, Hungarian	
22	115 59 42-59	1	OPERATOR'S MANUAL, Portuguese	
22	115 59 42-61	1	OPERATOR'S MANUAL, Polish	
22	115 59 42-62	1	OPERATOR'S MANUAL, Romanian	
22	115 59 42-63	1	OPERATOR'S MANUAL, Estonian	
22	115 59 42-64	1	OPERATOR'S MANUAL, Latvian	
22	115 59 42-65	1	OPERATOR'S MANUAL, Lithuanian	
22	115 59 42-68	1	OPERATOR'S MANUAL, Slovak	

Position	Article	Quantity	Notes	Kit
22	115 59 42-71	1	OPERATOR'S MANUAL, Greek	
22	115 59 42-76	1	OPERATOR'S MANUAL, Turkish	
22	115 59 42-81	1	OPERATOR'S MANUAL, Croatian	
22	115 59 42-84	1	OPERATOR'S MANUAL, Slovenian	
22	115 59 42-90	1	OPERATOR'S MANUAL, Czech	
22	115 59 42-95	1	OPERATOR'S MANUAL, US English	
22	115 59 42-96	1	OPERATOR'S MANUAL, US Spanish	
23	115 59 36-10	1	QUICK GUIDE, Swedish, Danish, Norwegian, Finnish	
23	115 59 36-20	1	QUICK GUIDE, German, French, Dutch, Slovenian	
23	115 59 36-30	1	QUICK GUIDE, Spanish, Portuguese, Italian, English	
23	115 59 36-38	1	QUICK GUIDE, English, Spanish, French, German	
23	115 59 36-39	1	QUICK GUIDE, German, French, Italian, English	
23	115 59 36-40	1	QUICK GUIDE, Russian, Estonian, Latvian, Lithuanian	
23	115 59 36-50	1	QUICK GUIDE, Czech, Slovak, Polish, Hungarian	
23	115 59 36-93	1	QUICK GUIDE, Croatian, Turkish, Romanian, Greek	