

265 ACX

2015

Spare parts

Ersatzteile

Pièces détachées

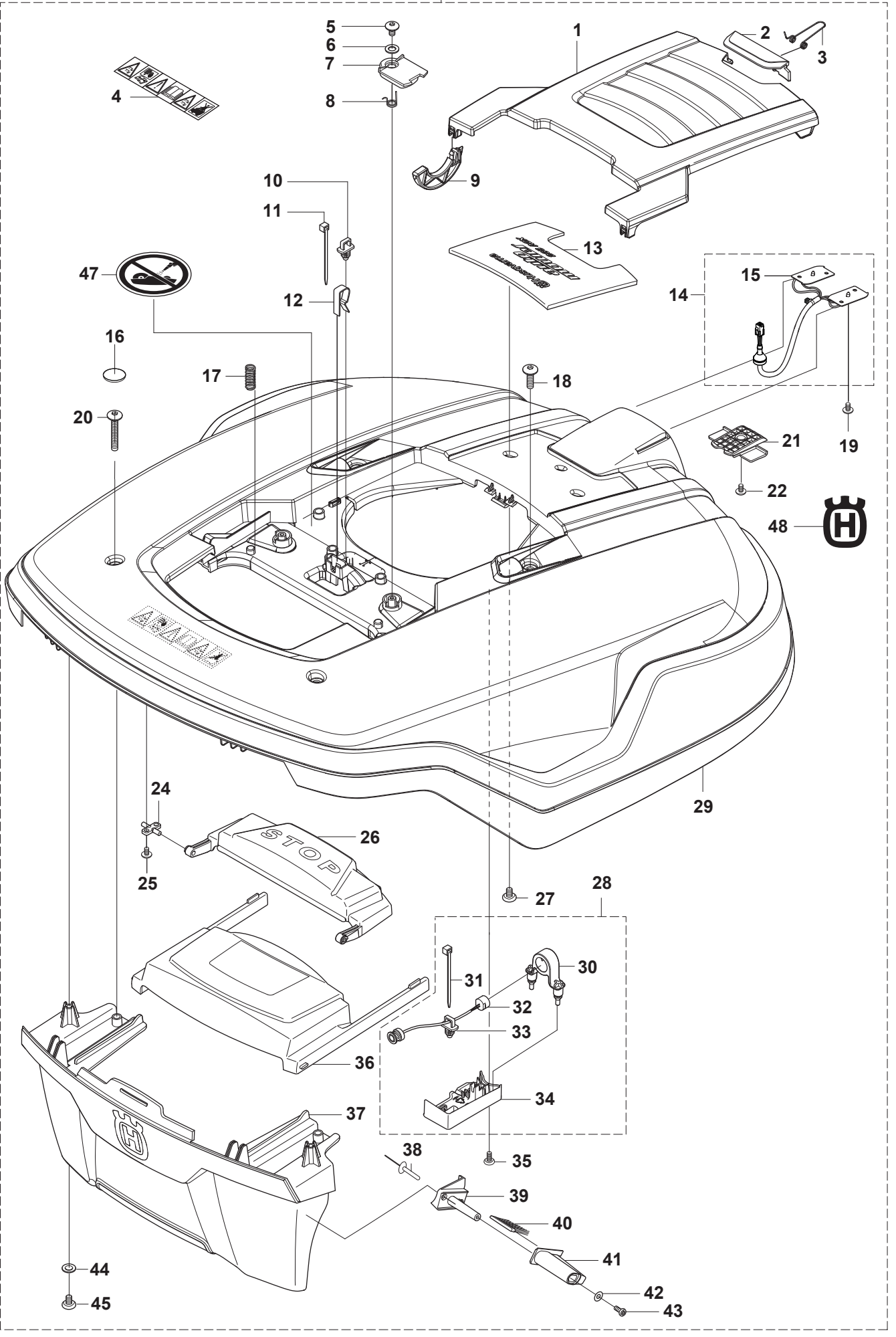
Reserve onderdelen

Repuestos

Reservdelar

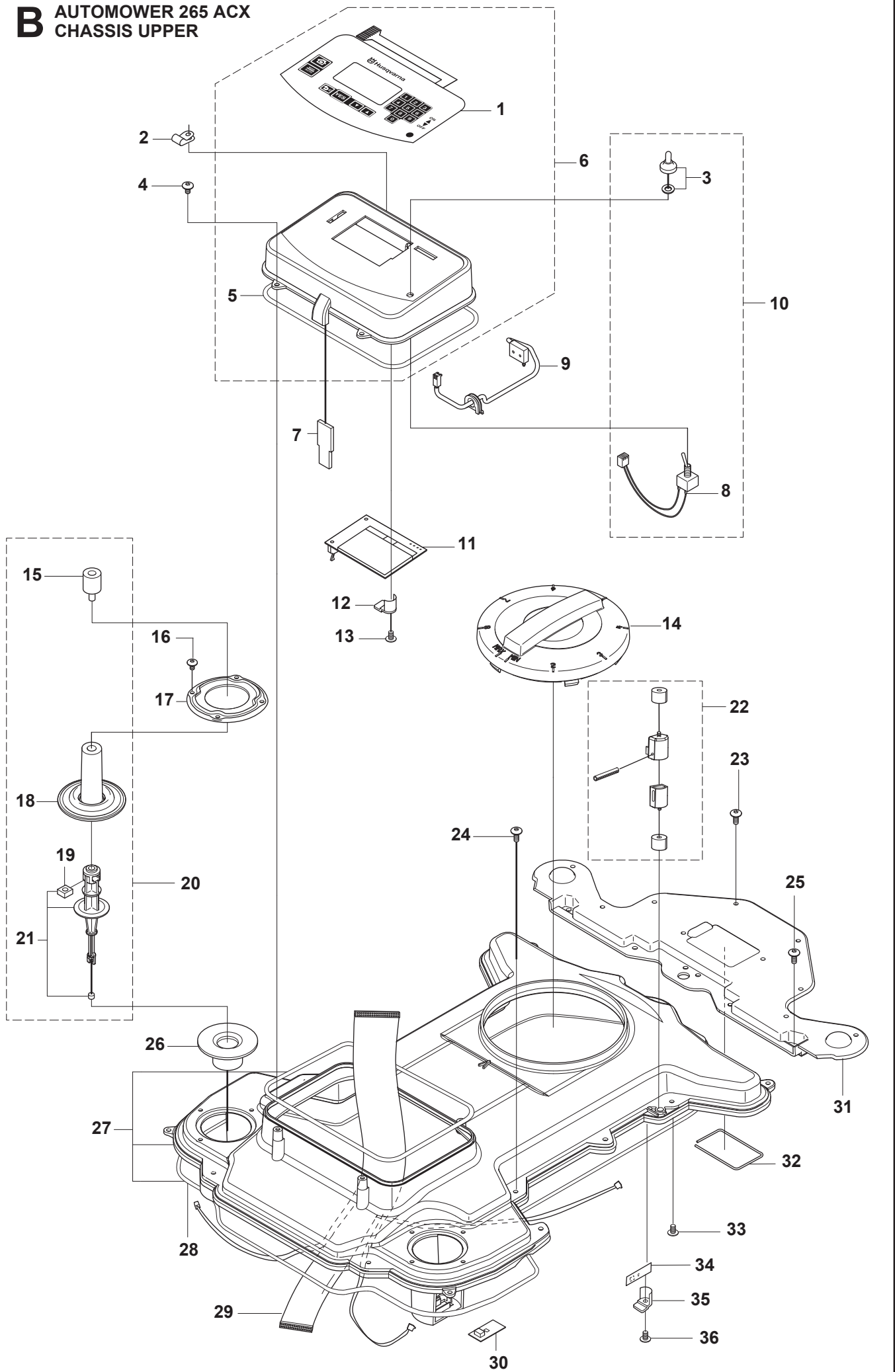
A AUTOMOWER 265 ACX COVER

46



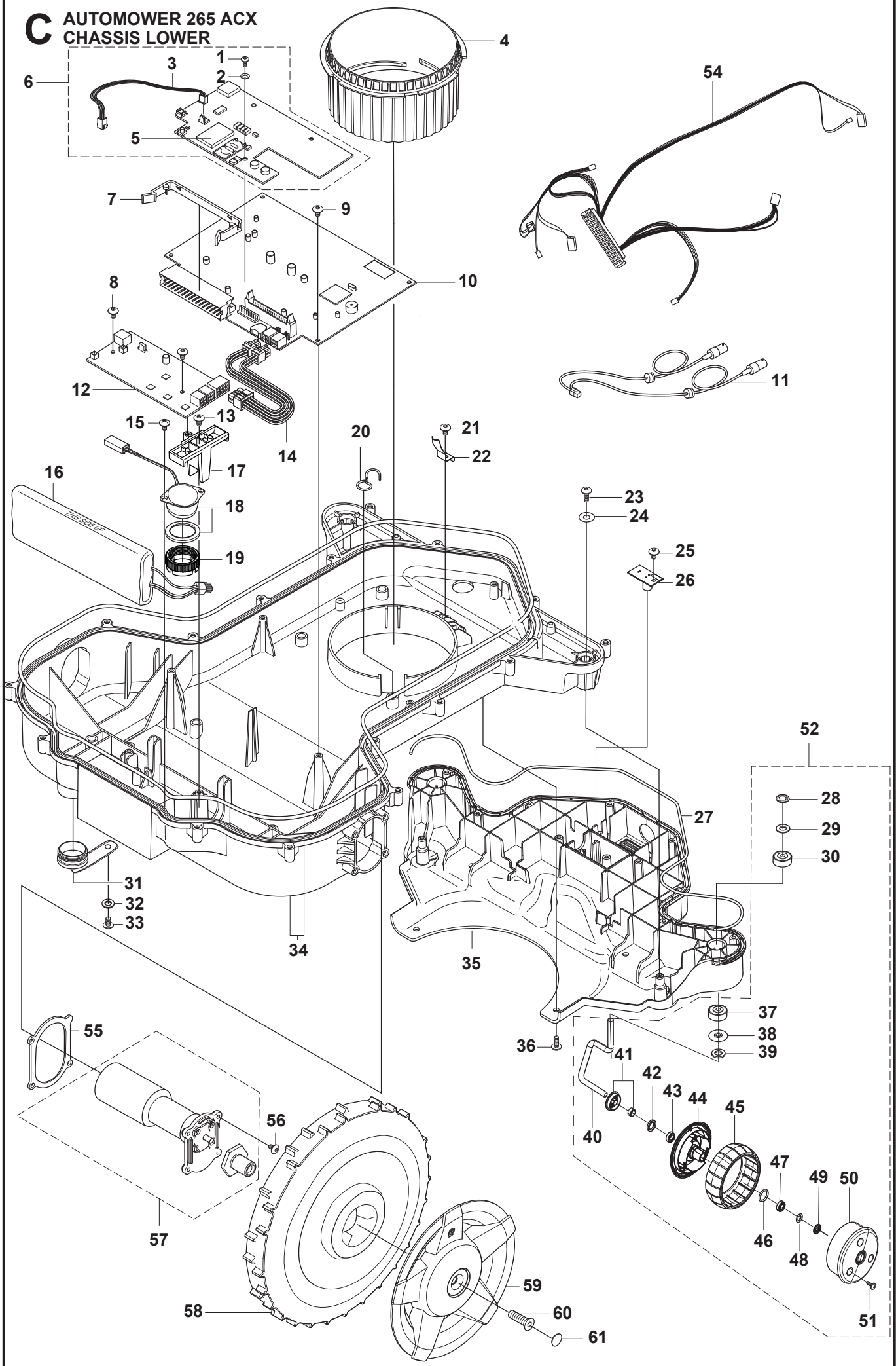
| Page A AUTOMOWER 265 ACX COVER | | | | |
|--------------------------------|--------------|----------|--------------------------------------|-----|
| Position | Article | Quantity | Notes | Kit |
| 1 | 510 14 38-01 | 1 | LID | |
| 2 | 510 14 39-01 | 1 | LATCH | |
| 3 | 535 13 57-01 | 1 | TORSION SPRING | |
| 4 | 522 79 27-02 | 1 | LABEL WARNING | |
| 5 | 575 54 33-10 | 2 | SCREW, Silver 10mm | |
| 6 | 734 11 37-41 | 2 | WASHER | |
| 7 | 535 12 68-01 | 2 | LOCK CLAMP | |
| 8 | 535 13 02-01 | 2 | TORSION SPRING | |
| 9 | 535 13 53-01 | 2 | PIVOT | |
| 10 | 535 13 04-01 | 1 | ANCHOR | |
| 11 | 900 23 87-08 | 1 | TIE WRAP | |
| 12 | 535 08 98-01 | 1 | CLIPS | |
| 13 | 578 78 58-01 | 1 | PLATE | |
| 14 | 535 13 73-04 | 1 | WIRING | |
| 15 | 535 13 59-01 | 2 | CHARGING PLATE | 14 |
| 16 | 521 93 61-01 | 4 | COVER WASHER | |
| 17 | 535 13 01-01 | 2 | SPRING | |
| 18 | 535 12 93-03 | 2 | SCREW M6x25 | |
| 19 | 575 54 33-06 | 2 | SCREW, White 6mm | |
| 20 | 535 12 93-07 | 2 | SCREW M6x63 | |
| 21 | 521 93 60-01 | 1 | SPACER | |
| 22 | 575 54 33-12 | 1 | SCREW, Yellow 12mm | |
| 24 | 535 12 78-01 | 2 | SHAFT | |
| 25 | 575 54 33-10 | 4 | SCREW, Silver 10mm | |
| 26 | 510 14 40-01 | 1 | BUTTON | |
| 27 | 575 54 33-12 | 2 | SCREW, Yellow 12mm | |
| 28 | 578 90 33-01 | 1 | KIT, ULTRA SONIC SENSORS | |
| 29 | 510 14 34-02 | 1 | COVER | |
| 30 | 578 89 37-01 | 1 | SUPPORT, Ultra Sonic | 28 |
| 31 | 900 23 87-08 | 1 | TIE WRAP | 28 |
| 32 | 523 05 59-02 | 2 | WIRING ASSY | 28 |
| 33 | 535 13 04-01 | 1 | ANCHOR | 28 |
| 34 | 578 89 35-01 | 1 | BRACKET, right | 28 |
| 34 | 578 89 35-02 | 1 | BRACKET, left | 28 |
| 35 | 575 54 33-14 | 4 | SCREW, Grey 14mm | |
| 36 | 535 12 66-02 | 1 | COVER | |
| 37 | 510 14 37-02 | 1 | MAIN BODY | |
| 38 | 505 16 16-01 | 4 | RIVET | |
| 39 | 575 49 18-01 | 1 | BRACKET, right | |
| 39 | 575 49 71-01 | 1 | BRACKET, left | |
| 40 | 505 13 25-02 | 2 | BRUSH, Wheel | |
| 41 | 575 49 10-01 | 2 | BRUSH HOLDER, Wheel | |
| 42 | 734 11 37-41 | 2 | WASHER | |
| 43 | 575 54 33-14 | 2 | SCREW, Grey 14mm | |
| 44 | 734 11 37-41 | 2 | WASHER | |
| 45 | 535 13 03-40 | 2 | SCREW | |
| 46 | 580 29 26-02 | 1 | BODY, complete kit | |
| 47 | 586 29 10-01 | 1 | WARNING LABEL "Do not wash" (10 pcs) | |
| 48 | 587 42 35-01 | 1 | DECAL | |

B AUTOMOWER 265 ACX
CHASSIS UPPER



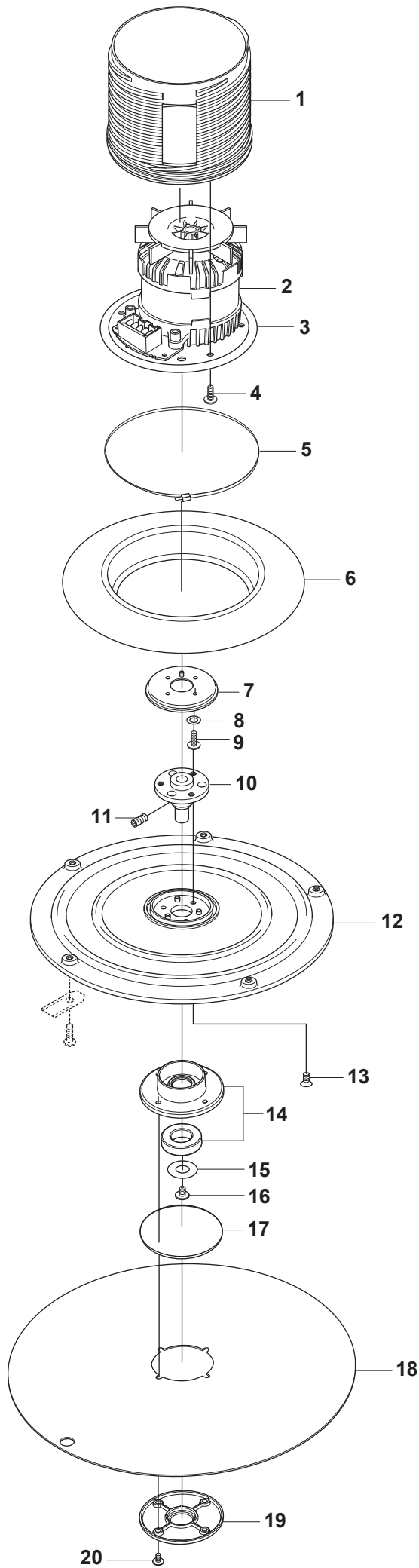
| Page B AUTOMOWER 265 ACX CHASSIS UPPER | | | | |
|--|--------------|----------|------------------------------|-------|
| Position | Article | Quantity | Notes | Kit |
| 1 | 522 98 59-01 | 1 | KEYBOARD | 6 |
| 2 | 577 52 72-01 | 1 | CABLE CLAMP | |
| 3 | 535 10 17-01 | 1 | CAP | 10 |
| 4 | 574 45 01-01 | 4 | SCREW | |
| 5 | 575 98 63-01 | 1 | SEALING STRIP (10 pcs, Ø4mm) | 6, 27 |
| 5 | 574 87 47-02 | 1 | SEALING STRIP (Ø4mm) | |
| 6 | 575 94 42-03 | 1 | KIT, DISPLAY COVER | |
| 7 | 535 14 47-01 | 1 | FILTER | |
| 8 | 535 12 39-01 | 1 | MAIN SWITCH | 10 |
| 9 | 577 59 23-01 | 1 | SWITCH KIT | |
| 10 | 535 12 39-01 | 1 | KIT, MAIN SWITCH | |
| 11 | 540 06 03-03 | 1 | DISPLAY | |
| 12 | 535 12 79-01 | 1 | BRACKET | |
| 13 | 575 54 33-14 | 1 | SCREW, Grey 14mm | |
| 14 | 535 12 22-01 | 1 | STEERING WHEEL | |
| 15 | 577 67 06-02 | 2 | RUBBER DAMPER | 20 |
| 16 | 575 54 33-14 | 8 | SCREW, Grey 14mm | |
| 17 | 505 17 43-01 | 2 | RING FASTENER | |
| 18 | 577 52 58-01 | 1 | RUBBER GAITERS | 20 |
| 19 | 503 22 66-01 | 2 | SQUARE NUT | 19 |
| 20 | 577 59 84-02 | 2 | KIT, COLUMN | |
| 21 | 579 24 88-01 | 2 | COLUMN | 20 |
| 22 | 544 14 15-03 | 2 | KIT, SENSOR | |
| 23 | 575 54 33-14 | 10 | SCREW, Grey 14mm | |
| 24 | 574 45 01-01 | 12 | SCREW | |
| 25 | 574 45 01-01 | 4 | SCREW | |
| 26 | 535 14 32-01 | 2 | DEFLECTION LIMITER | |
| 27 | 575 94 38-01 | 1 | CHASSIS | |
| 28 | 575 98 62-01 | 1 | SEALING STRIP (10 pcs, Ø4mm) | 27 |
| 28 | 574 87 47-01 | 1 | SEALING STRIP (Ø4mm) | |
| 29 | 544 12 69-01 | 1 | WIRING | |
| 30 | 578 78 90-01 | 2 | PCB, Sensor board | |
| 31 | 510 08 66-01 | 1 | BRACKET | |
| 32 | 522 03 93-02 | 1 | SEALING RING | |
| 33 | 535 07 60-02 | 2 | SCREW, M6x10 | |
| 34 | 578 78 90-01 | 1 | PCB, Sensor board | |
| 35 | 535 12 79-01 | 1 | BRACKET | |
| 36 | 575 54 33-14 | 1 | SCREW, Grey 14mm | |

C AUTOMOWER 265 ACX CHASSIS LOWER



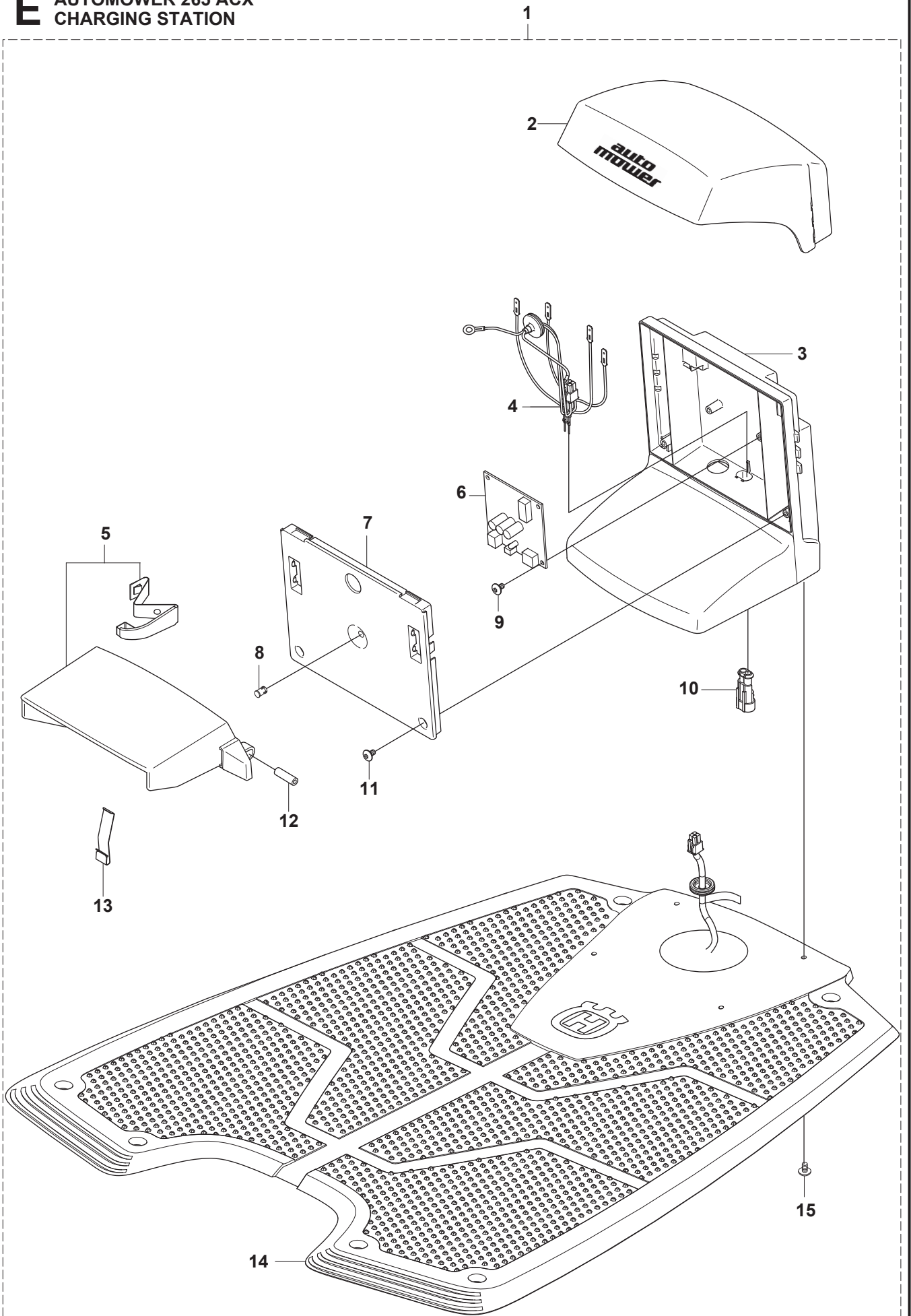
| Page C AUTOMOWER 265 ACX CHASSIS LOWER | | | | |
|--|--------------|----------|--------------------------|-----|
| Position | Article | Quantity | Notes | Kit |
| 1 | 522 59 71-01 | 2 | SCREW | 6 |
| 2 | 522 59 72-01 | 2 | WASHER | 6 |
| 3 | 576 21 94-01 | 1 | LOOM | 6 |
| 4 | 535 12 21-02 | 1 | NUT | |
| 5 | 576 38 10-01 | 1 | Battery GPS module | 6 |
| 6 | 575 24 24-03 | 1 | KIT, GPS MODULE | |
| 7 | 578 05 61-01 | 1 | CLIP | |
| 7 | 578 05 61-02 | 1 | CLIP, 50 pcs | |
| 8 | 575 54 33-12 | 2 | SCREW, Yellow 12mm | |
| 9 | 575 54 33-10 | 4 | SCREW, Silver 10mm | |
| 10 | 578 97 43-01 | 1 | MAIN CIRCUIT BOARD (MCB) | |
| 11 | 523 05 60-02 | 1 | WIRING ASSY | |
| 12 | 581 75 78-02 | 1 | ULTRASONIC BOARD (PCB) | |
| 13 | 575 54 33-14 | 2 | SCREW, Grey 14mm | |
| 14 | 578 89 84-01 | 1 | LOOM | |
| 15 | 502 85 96-01 | 2 | SCREW | |
| 16 | 578 84 87-02 | 2 | BATTERY, Li-Ion | |
| 17 | 579 73 42-01 | 2 | BRACKET | |
| 18 | 501 00 42-01 | 1 | BUZZER | |
| 19 | 579 52 12-01 | 1 | NUT | |
| 20 | 535 13 96-01 | 1 | CABLE HOLDER | |
| 21 | 535 13 03-14 | 2 | SCREW | |
| 22 | 535 12 24-02 | 2 | LOCKING SPRING | |
| 23 | 575 54 33-14 | 2 | SCREW, Grey 14mm | |
| 24 | 734 11 37-41 | 2 | WASHER | |
| 25 | 575 54 33-10 | 2 | SCREW | |
| 26 | 578 78 88-01 | 2 | PCB, Sensor board | |
| 27 | 522 03 93-01 | 1 | SEALING RING | |
| 28 | 576 01 93-01 | 2 | LOCK WASHER | 52 |
| 29 | 580 76 46-01 | 2 | WASHER | 52 |
| 30 | 580 60 51-01 | 2 | BALL BEARING | 52 |
| 31 | 574 42 74-02 | 1 | PLUG | |
| 32 | 734 11 37-41 | 1 | WASHER | |
| 33 | 575 54 33-14 | 1 | SCREW, Grey 14mm | |
| 34 | 575 94 39-02 | 1 | CHASSIS | |
| 36 | 575 54 33-14 | 4 | SCREW, Grey 14mm | |
| 35 | 510 08 67-02 | 1 | BRACKET | |
| 37 | 580 60 51-01 | 2 | BALL BEARING | 52 |
| 38 | 535 08 78-03 | 2 | WASHER | 52 |
| 39 | 580 76 46-01 | 2 | WASHER | 52 |
| 40 | 505 19 35-02 | 2 | SPINDLE | 52 |
| 41 | 581 62 15-01 | 2 | SHEILD KIT | 52 |
| 42 | 580 48 71-01 | 2 | SEALING | 52 |
| 43 | 580 60 51-01 | 2 | BALL BEARING | 52 |
| 44 | 579 45 71-01 | 2 | WHEEL | 52 |
| 45 | 574 44 98-01 | 2 | WHEEL | 52 |
| 46 | 580 44 51-01 | 2 | O-RING | 52 |
| 47 | 580 60 51-01 | 2 | BALL BEARING | 52 |
| 48 | 580 76 46-01 | 2 | WASHER | 52 |
| 49 | 576 01 93-01 | 2 | LOCK WASHER | 52 |
| 50 | 579 45 72-01 | 2 | WHEEL | 52 |
| 51 | 575 54 33-14 | 6 | SCREW | 52 |
| 52 | 574 30 03-03 | 2 | KIT, Front wheel | |
| 54 | 501 00 37-04 | 1 | MAIN WIRING | |
| 55 | 535 13 92-03 | 2 | GASKET | 57 |
| 56 | 575 54 33-16 | 8 | SCREW, Orange 16mm | |
| 57 | 544 90 70-03 | 2 | KIT, DRIVE MOTOR | |
| 58 | 544 90 58-04 | 2 | REAR WHEEL | |
| 59 | 544 90 51-02 | 2 | HUB CAP | |
| 60 | 535 13 94-01 | 2 | SCREW, M8x14 | |
| 61 | 504 20 08-01 | 2 | COVER WASHER | |

D AUTOMOWER 265 ACX
BLADE MOTOR
& CUTTING EQUIPMENT



| Page D AUTOMOWER 265 ACX BLADE MOTOR & CUTTING EQUIPMENT | | | | |
|--|--------------|----------|------------------|-----|
| Position | Article | Quantity | Notes | Kit |
| 1 | 510 14 41-01 | 1 | MOTOR BOWL | |
| 2 | 522 51 06-02 | 1 | CUTTING MOTOR | |
| 3 | 510 14 42-01 | 1 | DISC | |
| 4 | 575 54 33-14 | 6 | SCREW, Grey 14mm | |
| 5 | 525 25 14-01 | 1 | TIE WRAP | |
| 6 | 535 12 23-01 | 1 | RUBBER GAITERS | |
| 7 | 510 06 62-01 | 1 | COLLAR | |
| 8 | 735 21 46-01 | 1 | LOCK WASHER | |
| 9 | 502 23 91-01 | 1 | SCREW | |
| 10 | 575 52 16-01 | 1 | HUB | |
| 11 | 728 83 60-01 | 1 | SCREW, M6x6 | |
| 12 | 510 05 86-02 | 1 | CUTTING DISC | |
| 13 | 535 13 05-01 | 3 | SCREW, M4x8 | |
| 14 | 577 35 76-01 | 1 | BEARING KIT | |
| 15 | 734 18 14-59 | 1 | WASHER | |
| 16 | 535 07 60-01 | 1 | SCREW, M6x8 | |
| 17 | 575 54 72-01 | 1 | O-RING | |
| 18 | 575 52 19-01 | 1 | SKID PLATE | |
| 19 | 575 52 18-01 | 1 | BEARING COVER | |
| 20 | 586 01 24-01 | 4 | SCREW | |

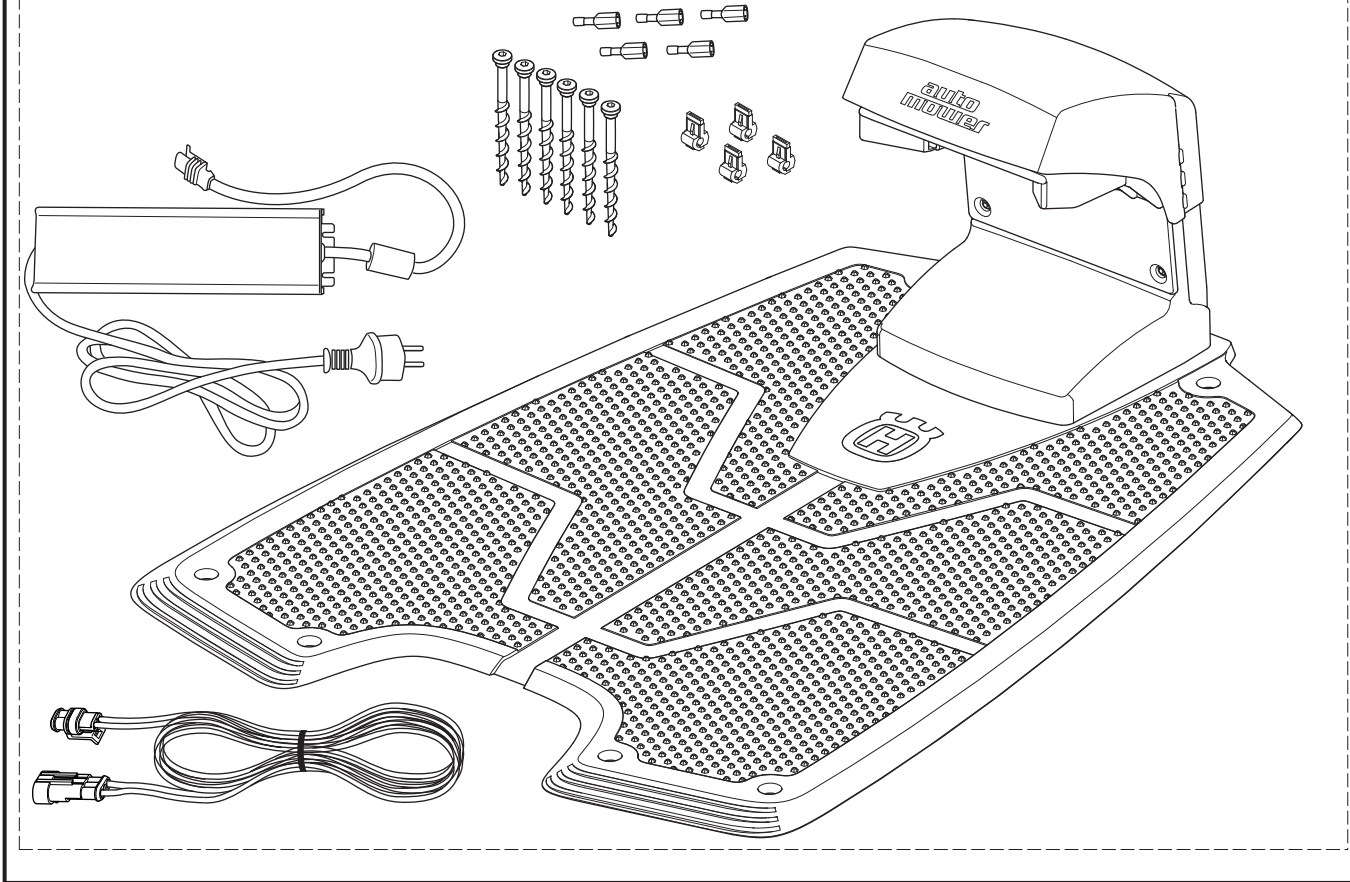
E AUTOMOWER 265 ACX
CHARGING STATION



| Page E AUTOMOWER 265 ACX CHARGING STATION | | | | |
|---|--------------|----------|---------------------------|-----|
| Position | Article | Quantity | Notes | Kit |
| 1 | 574 90 20-07 | 1 | CHARGING STATION | |
| 1 | 574 90 20-08 | 1 | CHARGING STATION (CH) | |
| 2 | 535 12 47-02 | 1 | COVER | 1 |
| 3 | 578 89 41-01 | 1 | FRAME | 1 |
| 4 | 544 98 38-08 | 1 | WIRING ASSY | 1 |
| 5 | 510 05 97-02 | 1 | KIT, Charging Plate | 1 |
| 6 | 578 78 84-01 | 1 | PRINTED CIRCUIT ASSY | 1 |
| 6 | 584 82 20-01 | 1 | PRINTED CIRCUIT ASSY (CH) | 1 |
| 7 | 535 12 44-01 | 1 | CAP | 1 |
| 8 | 535 12 87-02 | 1 | DIODE LENS | 1 |
| 9 | 575 54 33-10 | 2 | SCREW, Silver 10mm | 1 |
| 10 | 535 12 85-01 | 1 | CONTACT HOUSING | 1 |
| 11 | 575 54 33-14 | 2 | SCREW, Grey 14mm | 1 |
| 12 | 535 12 50-01 | 2 | PIN | 1 |
| 13 | 535 12 86-01 | 2 | SPRING PLATE | 1 |
| 14 | 575 23 16-02 | 1 | ANTENNA PLATE | 1 |
| 15 | 575 54 33-14 | 4 | SCREW, Grey 14mm | 1 |

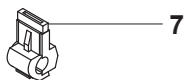
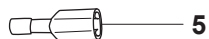
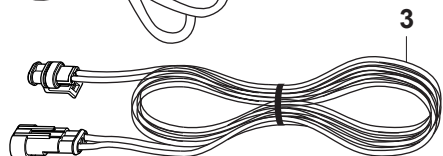
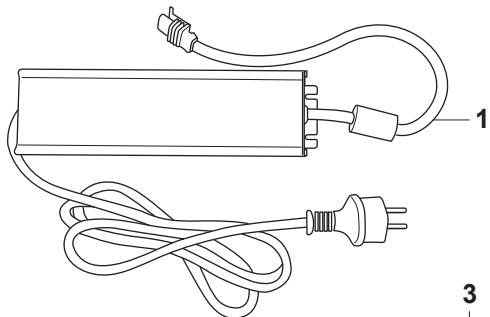
F AUTOMOWER 265 ACX
CHARGING STATION

1

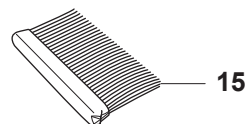
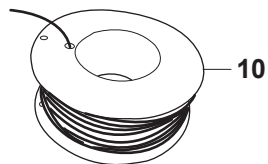
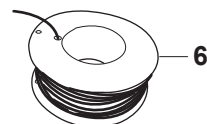
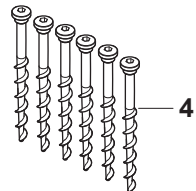
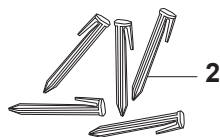
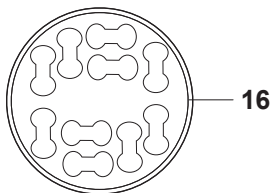
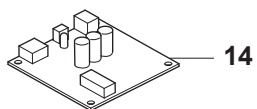


| Page F AUTOMOWER 265 ACX ACCESSORIES | | | | |
|--------------------------------------|--------------|----------|----------------------------------|-----|
| Position | Article | Quantity | Notes | Kit |
| 1 | 579 57 28-01 | 1 | CHARGING STATION, KIT (EU) | |
| 1 | 579 57 28-02 | 1 | CHARGING STATION, KIT (UK/IRL) | |
| 1 | 579 57 28-03 | 1 | CHARGING STATION, KIT (CH) | |
| 1 | 579 57 28-04 | 1 | CHARGING STATION, KIT (US/CA/MX) | |
| 1 | 579 57 28-05 | 1 | CHARGING STATION, KIT (AU/NZ) | |

G AUTOMOWER 265 ACX ACCESSORIES

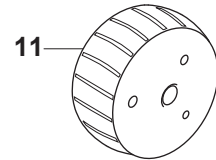
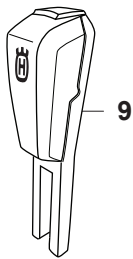
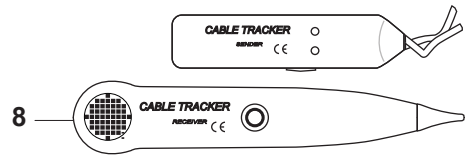
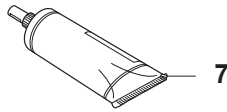
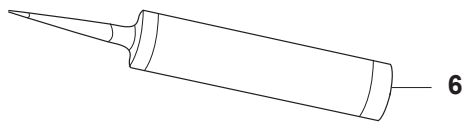
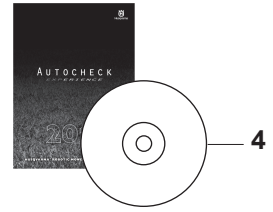
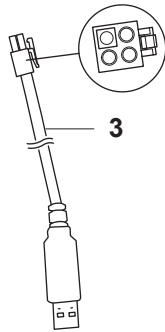
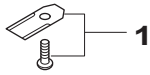


12



| Page G AUTOMOWER 265 ACX ACCESSORIES | | | | |
|--------------------------------------|--------------|----------|---|-----|
| Position | Article | Quantity | Notes | Kit |
| 1 | 578 27 53-01 | 1 | CHARGER (EU) | |
| 1 | 578 27 53-02 | 1 | CHARGER (UK/IRL) | |
| 1 | 578 27 53-03 | 1 | CHARGER (CH) | |
| 1 | 578 27 53-04 | 1 | CHARGER (US/MX) | |
| 1 | 578 27 53-05 | 1 | CHARGER (AU/NZ) | |
| 2 | 583 97 34-01 | 1 | STAPLE, 100pcs | |
| 2 | 577 86 42-01 | 1 | STAPLE, Blister pack, 100pcs | |
| 3 | 578 84 86-01 | 1 | WIRING, 20m | |
| 4 | 575 23 86-01 | 1 | SCREW KIT | |
| 4 | 577 86 49-01 | 2 | SCREW KIT, Blister Pack, 3pcs | |
| 5 | 529 28 08-01 | 1 | TERMINAL | |
| 6 | 580 66 20-02 | 1 | WIRE, 150m | |
| 6 | 577 86 43-01 | 1 | WIRE, Blister pack, (150m) | |
| 7 | 535 12 90-01 | 1 | LOOP WIRE CONNECTOR | |
| 7 | 577 86 48-01 | 1 | LOOP WIRE CONNECTOR, Blister Pack, 5pcs | |
| 8 | 580 66 20-01 | 1 | WIRE, 250m | |
| 9 | 501 98 02-01 | 1 | COUPLER | |
| 9 | 577 86 47-01 | 1 | COUPLER, Blister pack, 5pcs | |
| 10 | 522 91 41-01 | 1 | WIRE, 500 m, Ø3.4 mm | |
| 11 | 501 98 02-03 | 1 | COUPLER, 100pcs | |
| 12 | 525 63 70-01 | 1 | MEASURING ROD | |
| 13 | 577 91 40-01 | 1 | LABEL | |
| 14 | 584 82 20-01 | 1 | CS CB Thunder lightning protection | |
| 15 | 505 13 28-02 | 1 | BRUSH, 6pcs | |
| 16 | 586 27 79-01 | 1 | STICKER, Cable markers, 10pcs | |

H AUTOMOWER 265 ACX ACCESSORIES



Page H AUTOMOWER 265 ACX ACCESSORIES

| Position | Article | Quantity | Notes | Kit |
|----------|--------------|----------|---|-----|
| 1 | 577 86 46-02 | 1 | Long life - Safety blade, 9pcs Blister pack | |
| 1 | 577 60 65-04 | 1 | Long life - Safety blade, 45pcs | |
| 1 | 577 60 66-03 | 1 | Long life - Safety blade, 300pcs | |
| 3 | 535 13 23-02 | 1 | SERVICE CABLE (USB) | |
| 4 | 577 85 81-03 | 1 | AUTOCHECK EXP DVD | |
| 6 | 579 38 19-02 | 1 | GREASE TUBE, 300 ml | |
| 7 | 579 38 19-01 | 1 | GREASE TUBE, 85 ml | |
| 8 | 577 60 68-01 | 1 | INTERRUPTION DETECTOR | |
| 9 | 522 42 58-01 | 1 | SIGNAL BOOSTER | |
| 10 | 522 91 66-01 | 1 | BAG | |
| 11 | 575 23 17-02 | 1 | HEAVY WHEEL (400g) | |
| 11 | 577 86 51-01 | 1 | HEAVY WHEEL (400g), Blister pack, 2pcs | |
| 12 | 115 70 68-01 | 1 | OPERATOR'S MANUAL, Swedish | |
| 12 | 115 70 68-06 | 1 | OPERATOR'S MANUAL, Danish | |
| 12 | 115 70 68-11 | 1 | OPERATOR'S MANUAL, Finnish | |
| 12 | 115 70 68-21 | 1 | OPERATOR'S MANUAL, Norwegian | |
| 12 | 115 70 68-26 | 1 | OPERATOR'S MANUAL, English | |
| 12 | 115 70 68-31 | 1 | OPERATOR'S MANUAL, French | |
| 12 | 115 70 68-32 | 1 | OPERATOR'S MANUAL, French (Canada) | |
| 12 | 115 70 68-36 | 1 | OPERATOR'S MANUAL, Dutch | |
| 12 | 115 70 68-41 | 1 | OPERATOR'S MANUAL, Italian | |
| 12 | 115 70 68-46 | 1 | OPERATOR'S MANUAL, Spanish | |
| 12 | 115 70 68-51 | 1 | OPERATOR'S MANUAL, German | |
| 12 | 115 70 68-56 | 1 | OPERATOR'S MANUAL, Russian | |
| 12 | 115 70 68-58 | 1 | OPERATOR'S MANUAL, Hungarian | |
| 12 | 115 70 68-59 | 1 | OPERATOR'S MANUAL, Portuguese | |
| 12 | 115 70 68-61 | 1 | OPERATOR'S MANUAL, Polish | |
| 12 | 115 70 68-63 | 1 | OPERATOR'S MANUAL, Estonian | |
| 12 | 115 70 68-64 | 1 | OPERATOR'S MANUAL, Lettish | |
| 12 | 115 70 68-65 | 1 | OPERATOR'S MANUAL, Lithuanian | |
| 12 | 115 70 68-68 | 1 | OPERATOR'S MANUAL, Slovak | |
| 12 | 115 70 68-84 | 1 | OPERATOR'S MANUAL, Slovenian | |
| 12 | 115 70 68-90 | 1 | OPERATOR'S MANUAL, Czech | |
| 12 | 115 70 68-95 | 1 | OPERATOR'S MANUAL, English (EPA, CARB) | |
| 12 | 115 70 68-96 | 1 | OPERATOR'S MANUAL, Spanish (USA) | |
| 13 | 115 42 55-01 | 1 | QUICK GUIDE, Swedish | |
| 13 | 115 42 55-06 | 1 | QUICK GUIDE, Danish | |
| 13 | 115 42 55-11 | 1 | QUICK GUIDE, Finnish | |
| 13 | 115 42 55-21 | 1 | QUICK GUIDE, Norwegian | |
| 13 | 115 42 55-26 | 1 | QUICK GUIDE, English | |
| 13 | 115 42 55-31 | 1 | QUICK GUIDE, French | |
| 13 | 115 42 55-32 | 1 | QUICK GUIDE, French (Canada) | |
| 13 | 115 42 55-36 | 1 | QUICK GUIDE, Dutch | |
| 13 | 115 42 55-41 | 1 | QUICK GUIDE, Italian | |
| 13 | 115 42 55-46 | 1 | QUICK GUIDE, Spanish | |
| 13 | 115 42 55-51 | 1 | QUICK GUIDE, German | |
| 13 | 115 42 55-56 | 1 | QUICK GUIDE, Russian | |
| 13 | 115 42 55-58 | 1 | QUICK GUIDE, Hungarian | |
| 13 | 115 42 55-59 | 1 | QUICK GUIDE, Portuguese | |
| 13 | 115 42 55-61 | 1 | QUICK GUIDE, Polish | |
| 13 | 115 42 55-63 | 1 | QUICK GUIDE, Estonian | |
| 13 | 115 42 55-64 | 1 | QUICK GUIDE, Lettish | |
| 13 | 115 42 55-65 | 1 | QUICK GUIDE, Lithuanian | |
| 13 | 115 42 55-68 | 1 | QUICK GUIDE, Slovak | |
| 13 | 115 42 55-84 | 1 | QUICK GUIDE, Slovenian | |
| 13 | 115 42 55-90 | 1 | QUICK GUIDE, Czech | |
| 13 | 115 42 55-95 | 1 | QUICK GUIDE, English (EPA, CARB) | |
| 13 | 115 42 55-96 | 1 | QUICK GUIDE, Spanish (USA) | |