

105

2017

Spare parts

Ersatzteile

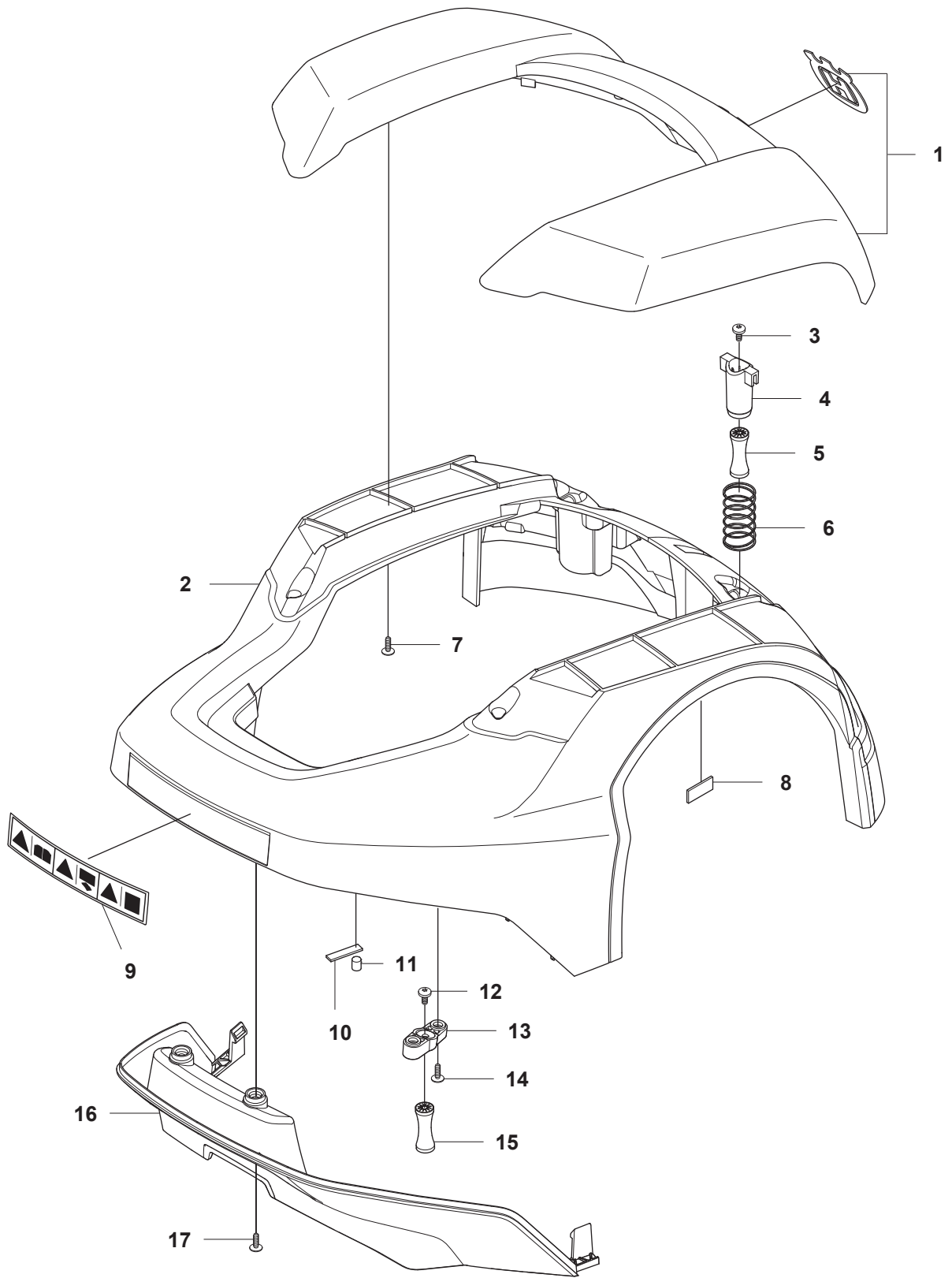
Pièces détachées

Reserve onderdelen

Repuestos

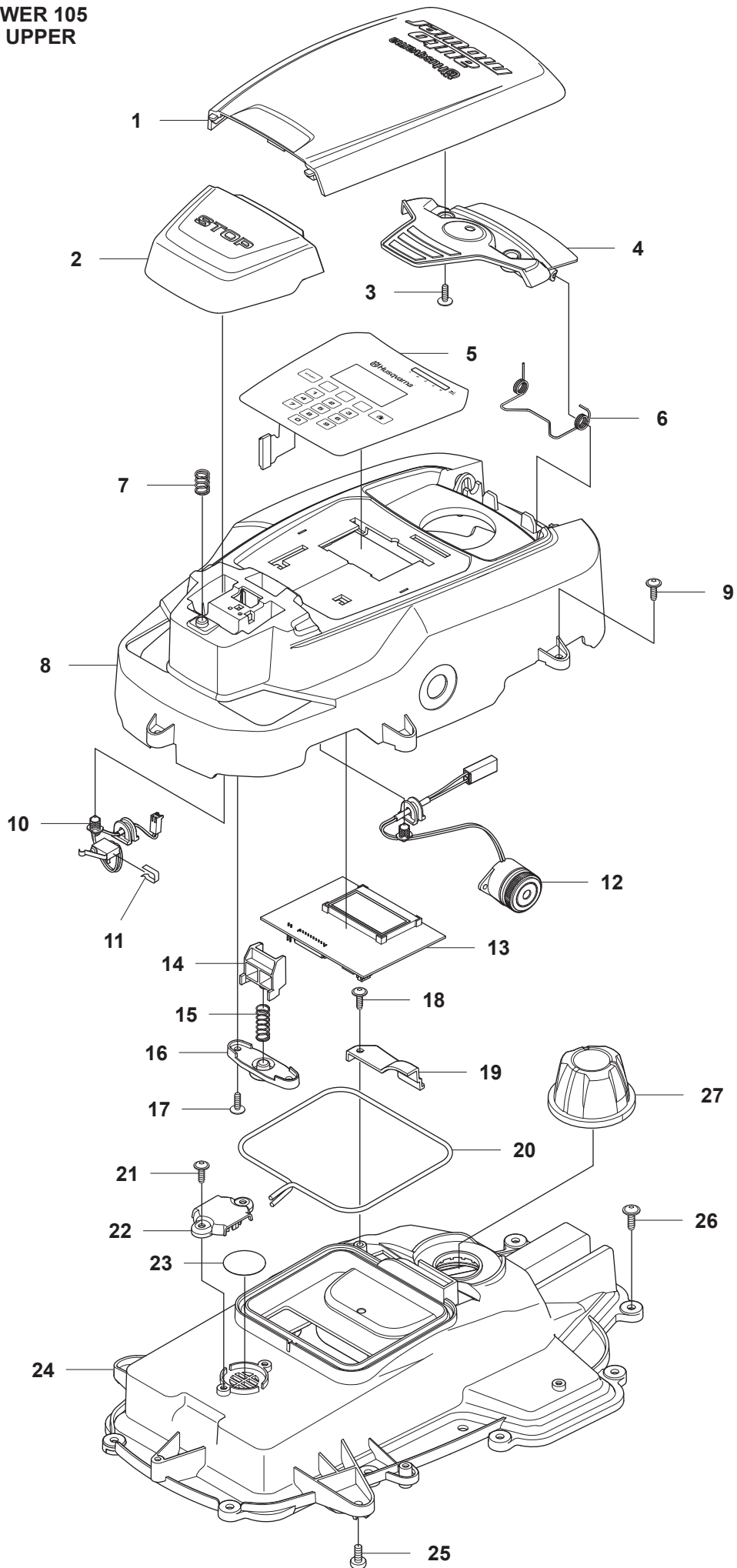
Reservdelar

A AUTOMOWER 105
COVER



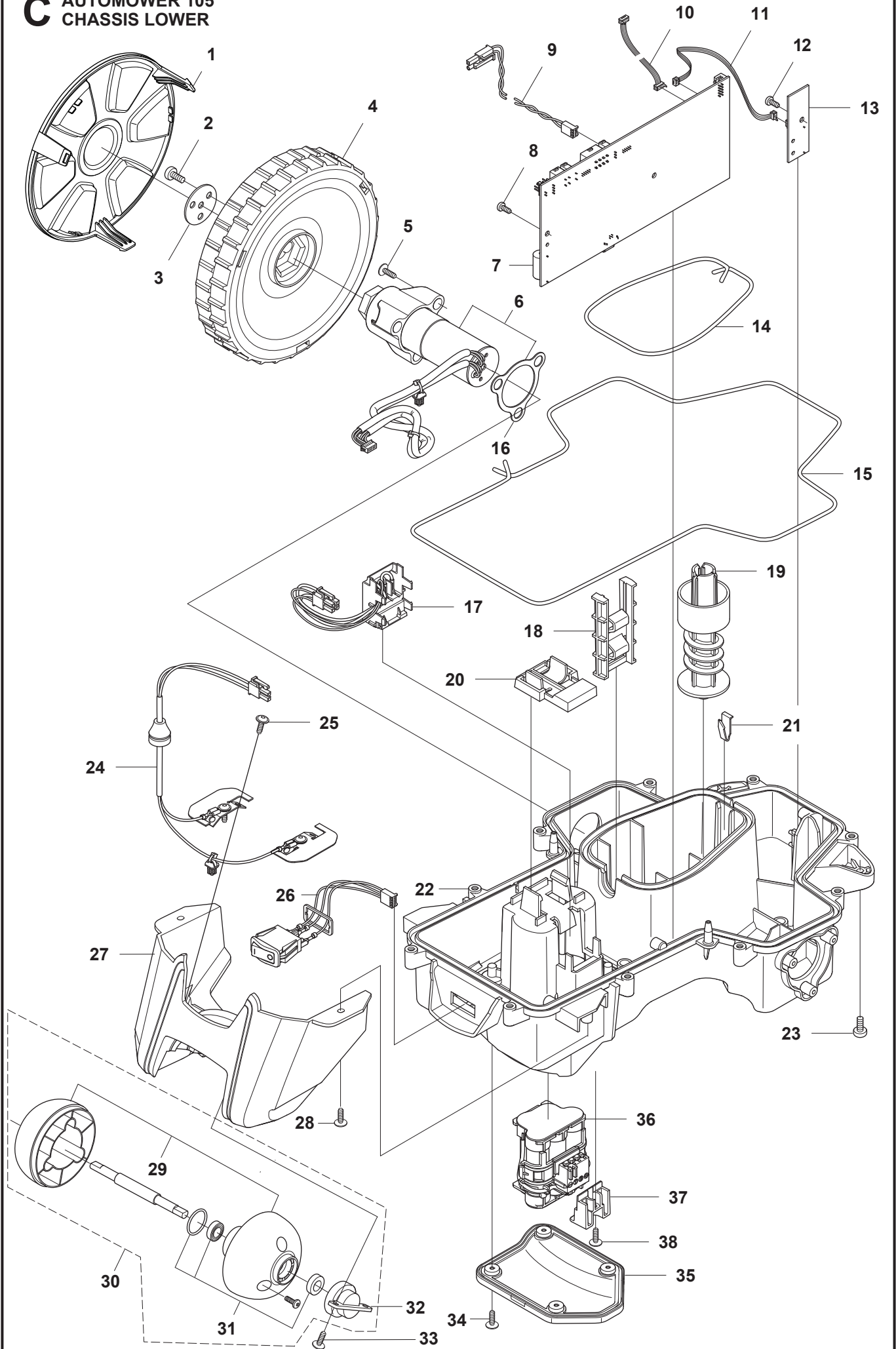
Position	Article	Quantity	Notes	Kit / Assy
1	577 73 47-02	1	Bumper Front, Grey	
2	577 74 72-02	1	Main Body KIT	
3	576 21 39-01	2	Screw	
4	574 46 90-02	2	Bracket, Lift Sensor	
5	574 46 91-02	2	Rubber Damper	
6	574 48 51-02	2	Spring, Lift Sensor	
7	575 54 33-14	7	Screw, Grey (14 mm)	
8	576 18 32-01	1	Magnet, Lift Sensor	2
9	576 24 00-01	1	Warning Label	2
10	576 03 01-01	1	Plate, Collision Sensor	2
11	576 18 33-01	1	Magnet, Collision Sensor	2
12	576 21 39-01	2	Screw	
13	575 41 60-02	2	Support Clamp	
14	575 54 33-14	4	Screw, Grey (14 mm)	
15	574 46 91-02	2	Rubber Damper	
16	574 46 52-02	1	Bumper, Rear	
17	575 54 33-10	2	Screw, Grey (10 mm)	

B AUTOMOWER 105
CHASSIS UPPER



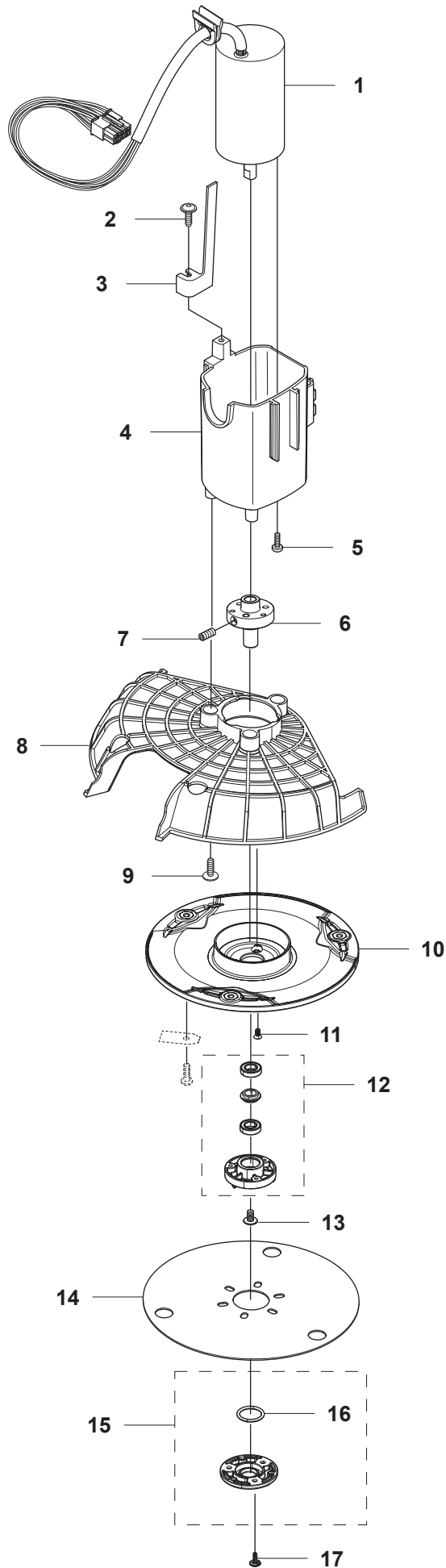
Position	Article	Quantity	Notes	Kit / Assy
1	588 79 76-03	1	Cover Height Adjustment, Grey	
2	574 46 47-01	1	Stop Button	
3	575 54 33-14	2	Screw, Grey (14 mm)	
4	574 37 79-01	1	Hinge, Height Adjustment Lid	
5	575 77 94-01	1	Keyboard	8
6	576 24 21-01	1	Spring, Height Adjustment Lid	
7	574 48 70-01	1	Spring, Stop Button	
8	577 75 28-02	1	Display Cover KIT incl. Sealing & Keypad	
9	575 54 33-14	5	Screw, Grey (14 mm)	
10	574 48 03-01	1	Micro Switch, Stop Button	
11	535 08 98-01	1	Clip, Stop Button	
12	574 47 59-01	1	Buzzer, Display Cover	
13	588 44 19-01	1	Display/HMI, Circuit Board (From S/N 16010001-)	
14	575 40 90-01	1	Lock, Stop Button	
15	576 24 22-01	1	Spring Lock, Stop Button	
16	575 41 58-01	1	Spring Holder, Stop Button	
17	575 54 33-14	2	Screw, Grey (14 mm)	
18	575 54 33-14	1	Screw, Grey (14 mm)	
19	576 05 39-01	1	Cover, Height Indicator	
20	574 87 47-04	1	Sealing Strip (1 pcs, Ø4 mm)	
21	575 54 33-14	2	Screw, Grey (14 mm)	
22	576 69 70-01	1	Cover, Air Filter	
23	577 75 37-01	1	Air Filter KIT (10 pcs)	
24	577 75 29-02	1	Chassis Upper KIT incl. Sealing & Air Filter	
25	576 21 39-01	2	Screw	
26	574 45 01-01	10	Screw	
27	579 74 24-01	1	Knob, KIT incl. Label	

C AUTOMOWER 105
CHASSIS LOWER



Position	Article	Quantity	Notes	Kit / Assy
1	575 43 08-01	2	Hub Cap, Drive Wheel	
2	576 21 39-02	6	Screw	
3	577 09 32-01	2	Washer, Drive Wheel	
4	574 46 51-04	2	Wheel, Drive Wheel	
5	575 54 33-14	6	Screw, Grey (14 mm)	
6	577 83 99-04	2	Wheel Motor KIT incl. Sealing	
7	588 62 88-03	1	Main Circuit Board (MCB) (From S/N 16010001-)	
8	535 13 03-10	2	Screw (10 mm)	
9	576 22 02-01	1	Loom, Buzzer Extension	
10	588 83 27-01	1	Loom, Display (From S/N 16010001-)	
11	588 90 12-01	1	Loom, Loop and Lift Sensor (From S/N 16010001-)	
12	535 13 03-10	1	Screw (10 mm)	
13	588 57 21-01	1	PCB Sensor Board	
14	574 87 47-04	1	Sealing Strip (1 pcs, Ø4 mm)	
15	574 87 47-03	1	Sealing Strip, Chassis (1 pcs, Ø4 mm)	
16	574 37 37-01	2	Sealing/Gasket, Motor Flange	6
17	574 47 98-01	1	Loom, Li-Ion Battery	
18	574 50 19-01	2	Guide Rail, Motor Bowl	
19	574 48 46-01	1	Height Adjustment Screw	
20	575 40 82-01	1	Lock, Battery Plug	
21	577 10 32-01	1	Locking Spring	
22	577 84 62-03	1	Chassis Lower KIT, incl. Sealing	
23	576 21 39-01	2	Screw	
24	588 95 09-01	1	Loom, Charging Plate	
25	575 52 95-02	2	Screw, Grey (14 mm)	
26	579 70 87-01	1	Swith ON/OFF with Seal	
27	574 46 72-02	1	Housing, Rear Wheel	
28	575 54 33-14	3	Screw, Grey (14 mm)	
29	583 85 39-02	1	Rear Wheel KIT	30
30	578 27 51-03	1	Rear Wheel KIT Complete	
31	578 27 52-01	1	Bearing (x2), Sealing (x2), O-Ring (x1)	30
32	577 71 50-01	2	Bearing Housing, Rear Wheel	30
33	575 54 33-14	4	Screw, Grey (14 mm)	
34	574 45 01-01	4	Screw	
35	574 46 73-01	1	Cover, Battery	
36	586 57 62-01	1	Battery, Lithium 18 v	
37	582 38 61-01	1	Bracket	
38	575 54 33-14	1	Screw, Grey (14 mm)	

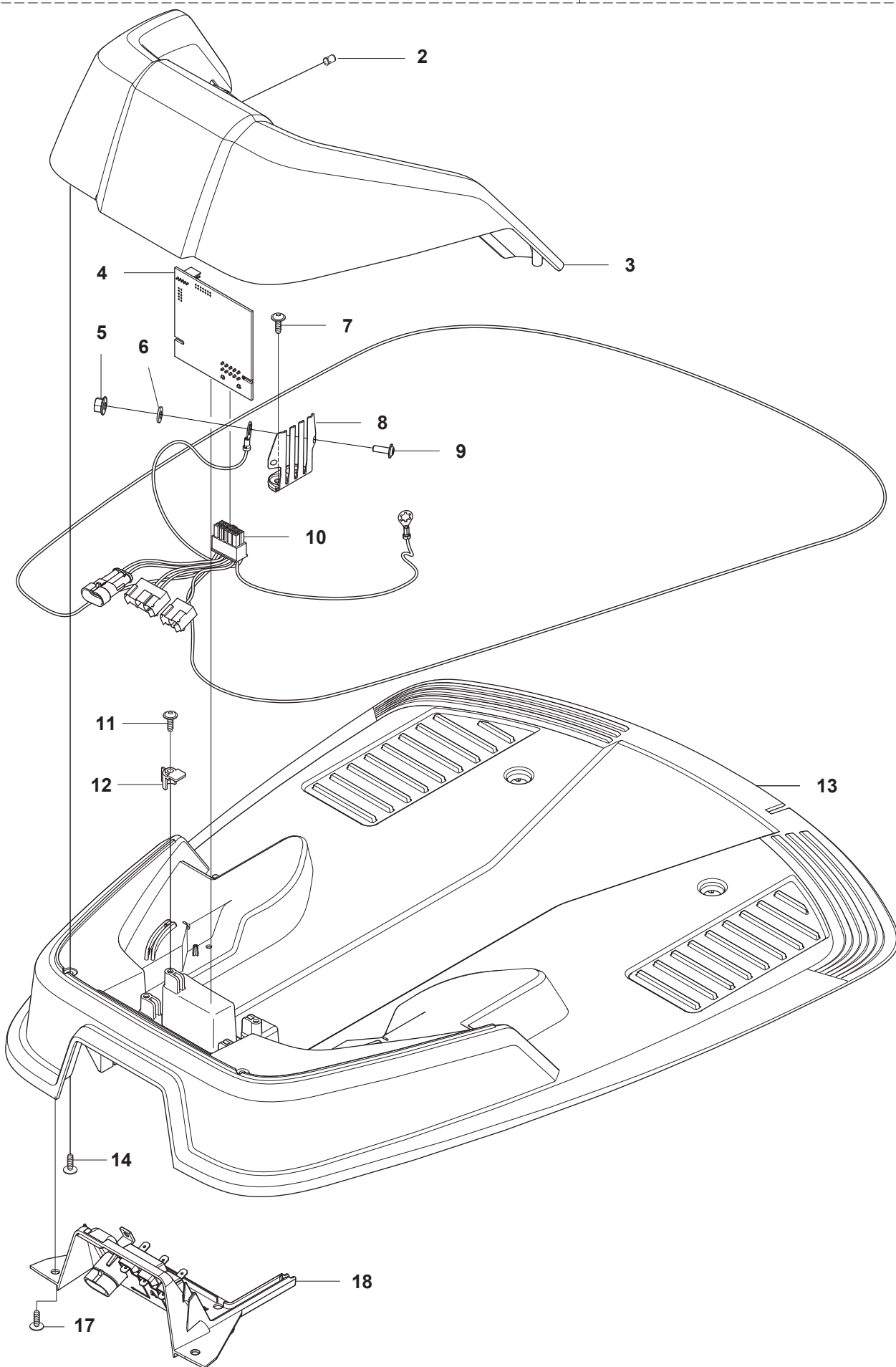
D AUTOMOWER 105
BLADE MOTOR & CUTTING EQUIPMENT



Position	Article	Quantity	Notes	Kit / Assy
1	584 98 93-02	1	Cutting Motor	
2	575 54 33-10	1	Screw, Grey (14 mm)	
3	574 50 35-01	1	Height Indicator	
4	581 02 03-01	1	Motor Housing	
5	576 21 38-01	3	Screw	
6	587 42 34-01	1	Hub, Cutting Motor	
7	576 21 35-01	1	Stop Screw	
8	579 75 83-01	1	Guard, Cutting Disc	
9	575 54 33-14	3	Screw, Grey (14 mm)	
10	587 42 36-01	1	Cutting Disc	
11	535 13 05-02	3	Screw	
12	588 42 17-01	1	Bearing Housing ASSY	
13	535 07 60-01	1	Screw	
14	587 42 37-01	1	Skid Plate	
15	587 44 96-01	1	Bearing Cover	
16	585 29 75-01	1	O-Ring	15
17	575 54 33-14	3	Screw	

E AUTOMOWER 105 CHARGING STATION

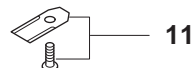
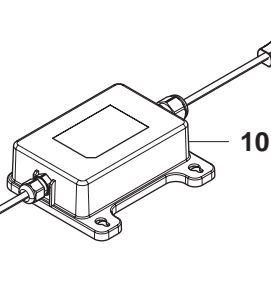
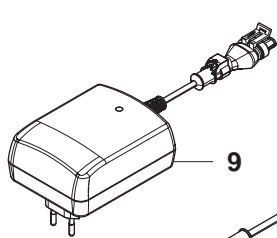
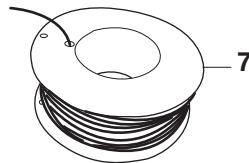
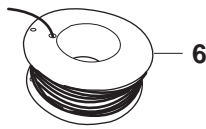
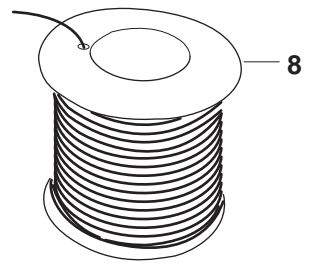
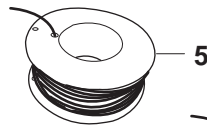
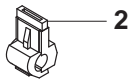
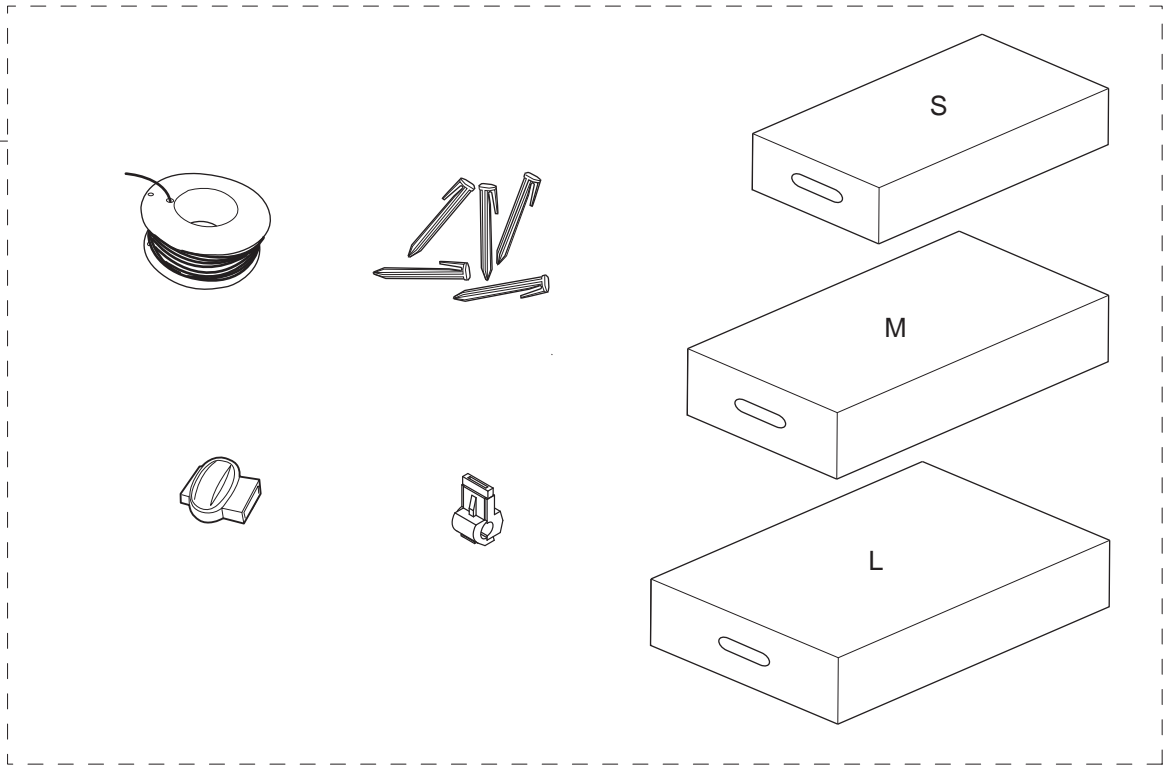
1



Position	Article	Quantity	Notes	Kit / Assy
1	576 63 67-12	1	Charging Station	
2	535 12 87-02	1	Diode Lens	1
3	575 70 84-02	1	Charging Station Cover, Grey	1
4	582 87 62-01	1	Circuit Board, Charging Station	1
5	588 22 21-01	2	Nut Flange	1
6	535 08 74-01	2	Washer	1
7	575 54 33-14	2	Screw, Grey (14 mm)	1
8	587 12 51-01	2	Contact, Charging Station	1
9	588 22 22-01	2	Screw	1
10	582 38 10-01	1	Loom, Charging Station	1
11	575 54 33-14	2	Screw, Grey (14 mm)	1
12	535 12 79-01	2	Bracket	1
13	581 55 19-03	1	Charging Station Base Plate	1
14	575 54 33-14	4	Screw, Grey (14 mm)	1
17	575 54 33-14	4	Screw, Grey (14 mm)	1
18	582 35 64-01	1	Guide Cover, Charging Station	1

F AUTOMOWER 105 INSTALLATION ACCESSORIES

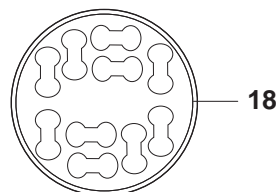
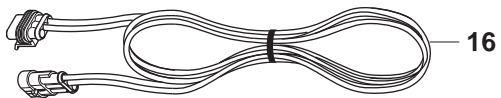
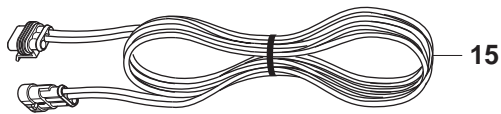
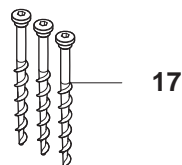
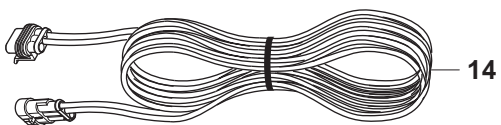
1



12



13



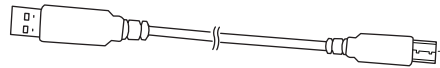
PAGE F AUTOMOWER 105		INSTALLATION ACCESSORIES		
Position	Article	Quantity	Notes	Kit / Assy
1	967 62 36-01	1	Installation KIT S: Wire (150 m), Staples (300 pcs), Connectors (3 pcs), Couplers (5 pcs)	
1	967 62 36-02	1	Installation KIT M: Wire (250 m), Staples (400 pcs), Connectors (3 pcs), Couplers (5 pcs)	
1	967 62 36-03	1	Installation KIT L: Wire (400 m), Staples (600 pcs), Connectors (5 pcs), Couplers (5 pcs)	
2	535 12 90-01	1	Loop Wire Connector	
2	577 86 48-01	1	Loop Wire Connector, Blister Pack, 5 pcs	
3	501 98 02-01	1	Coupler, 1 pcs	
3	577 86 47-01	1	Coupler, Blister Pack, 5 pcs	
3	501 98 02-03	1	Coupler, 100 pcs	
4	583 97 34-01	1	Staples, 100 pcs (85 mm)	
4	577 86 42-01	1	Staples, Blister Pack, 100 pcs (105 mm)	
5	577 86 43-02	1	Loop Wire, Blister Pack (50 m)	
5	580 66 20-02	1	Loop Wire (150 m)	
5	577 86 43-01	1	Loop Wire, Blister Pack (150 m)	
6	580 66 20-03	1	Loop Wire (200 m)	
7	580 66 20-01	1	Loop Wire (250 m)	
8	580 66 20-04	1	Wire (800 m)	
9	584 86 25-01	1	Power Supply Unit EU	
10	584 86 26-02	1	Power Supply Unit UK	
10	584 86 26-03	1	Power Supply Unit CH	
10	584 86 26-05	1	Power Supply Unit AU-NZ	
11	577 86 46-03	1	Long Life - Safety Blade, Blister pack, 9 pcs	
11	577 60 65-05	1	Long Life - Safety Blade, 45 pcs	
11	577 60 66-04	1	Long Life - Safety Blade, 300 pcs	
12	115 87 56-01	1	Operator's Manual, Swedish	
12	115 87 56-06	1	Operator's Manual, Danish	
12	115 87 56-11	1	Operator's Manual, Finnish	
12	115 87 56-21	1	Operator's Manual, Norwegian	
12	115 87 56-26	1	Operator's Manual, English	
12	115 87 56-31	1	Operator's Manual, French	
12	115 87 56-32	1	Operator's Manual, CA French	
12	115 87 56-36	1	Operator's Manual, Dutch	
12	115 87 56-41	1	Operator's Manual, Italian	
12	115 87 56-46	1	Operator's Manual, Spanish	
12	115 87 56-51	1	Operator's Manual, German	
12	115 87 56-56	1	Operator's Manual, Russian	
12	115 87 56-58	1	Operator's Manual, Hungarian	
12	115 87 56-59	1	Operator's Manual, Portuguese	
12	115 87 56-61	1	Operator's Manual, Polish	
12	115 87 56-62	1	Operator's Manual, Romanian	
12	115 87 56-63	1	Operator's Manual, Estonian	
12	115 87 56-64	1	Operator's Manual, Latvian	
12	115 87 56-65	1	Operator's Manual, Lithuanian	
12	115 87 56-68	1	Operator's Manual, Slovak	
12	115 87 56-71	1	Operator's Manual, Greek	
12	115 87 56-76	1	Operator's Manual, Turkish	
12	115 87 56-81	1	Operator's Manual, Croatian	
12	115 87 56-84	1	Operator's Manual, Slovenian	
12	115 87 56-90	1	Operator's Manual, Czech	
12	115 87 56-95	1	Operator's Manual, US English	
12	115 87 56-96	1	Operator's Manual, US Spanish	
13	115 78 69-10	1	Quick Guide, Swedish, Danish, Norwegian, Finnish	
13	115 78 69-20	1	Quick Guide, German, French, Dutch, Slovenian	
13	115 78 69-30	1	Quick Guide, Spanish, Portuguese, Italian, English	
13	115 78 69-38	1	Quick Guide, English, Spanish, French, German	
13	115 78 69-39	1	Quick Guide, German, French, Italian, English	
13	115 78 69-40	1	Quick Guide, Russian, Estonian, Latvian, Lithuanian	
13	115 78 69-50	1	Quick Guide, Czech, Slovak, Polish, Hungarian	
13	115 78 69-93	1	Quick Guide, Croatian, Turkish, Romanian, Greek	
14	579 82 51-01	1	Low Voltage Cable 20 m	
15	579 82 51-02	1	Low Voltage Cable 10 m	
16	579 82 51-03	1	Low Voltage Cable 3 m	
17	575 23 86-02	1	Anchor Screw KIT, 3 pcs	
17	577 86 49-01	1	Anchor Screw KIT, Blister Pack, 3 pcs	

18	586 27 79-01	1	Sticker, Cable Markers, 10 pcs	
19	579 57 12-01	1	Label Alarm	

G AUTOMOWER 105 ACCESSORIES



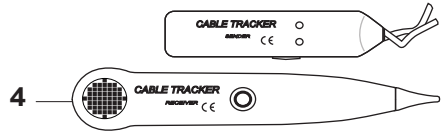
1



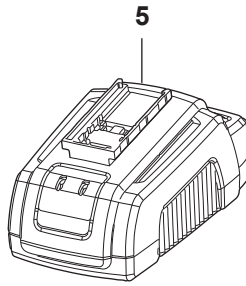
2



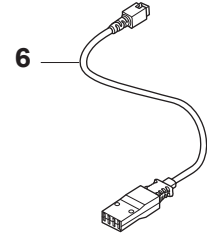
3



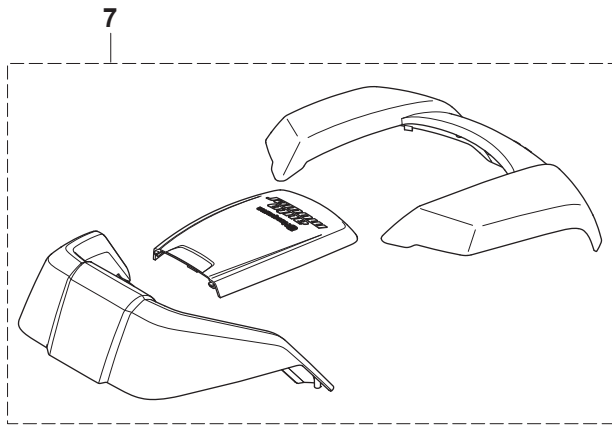
4



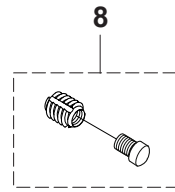
5



6



7



8



9

Position	Article	Quantity	Notes	Kit / Assy
1	577 85 81-03	1	Autocheck EXP - Service Program DVD	
2	577 51 81-02	1	USB Service Cable, G3 Mowers	
3	580 68 95-02	1	Warranty Seal 1pcs	
4	577 60 68-01	1	Loop Wire Interruption Detector	
5	588 40 84-01	1	Quick Charger with Battery Test	
6	588 20 26-01	1	Cable Quick Charger	
7	580 96 54-02	1	Body, White Upgrade KIT	
8	581 16 57-01	1	Metal Insert Repair KIT (4 pcs)	
9	115 44 50-01	1	TECHNICAL MANUAL, Swedish	
9	115 44 50-06	1	TECHNICAL MANUAL, Danish	
9	115 44 50-11	1	TECHNICAL MANUAL, Finnish	
9	115 44 50-21	1	TECHNICAL MANUAL, Norwegian	
9	115 44 50-26	1	TECHNICAL MANUAL, English	
9	115 44 50-31	1	TECHNICAL MANUAL, French	
9	115 44 50-36	1	TECHNICAL MANUAL, Dutch	
9	115 44 50-41	1	TECHNICAL MANUAL, Italian	
9	115 44 50-46	1	TECHNICAL MANUAL, Spanish	
9	115 44 50-51	1	TECHNICAL MANUAL, German	
9	115 44 50-56	1	TECHNICAL MANUAL, Russian	
9	115 44 50-58	1	TECHNICAL MANUAL, Hungarian	
9	115 44 50-61	1	TECHNICAL MANUAL, Polish	
9	115 44 50-62	1	TECHNICAL MANUAL, Romanian	
9	115 44 50-63	1	TECHNICAL MANUAL, Estonian	
9	115 44 50-64	1	TECHNICAL MANUAL, Latvian	
9	115 44 50-65	1	TECHNICAL MANUAL, Lithuanian	
9	115 44 50-71	1	TECHNICAL MANUAL, Greek	
9	115 44 50-76	1	TECHNICAL MANUAL, Turkish	
9	115 44 50-81	1	TECHNICAL MANUAL, Croatian	
9	115 44 50-90	1	TECHNICAL MANUAL, Czech	