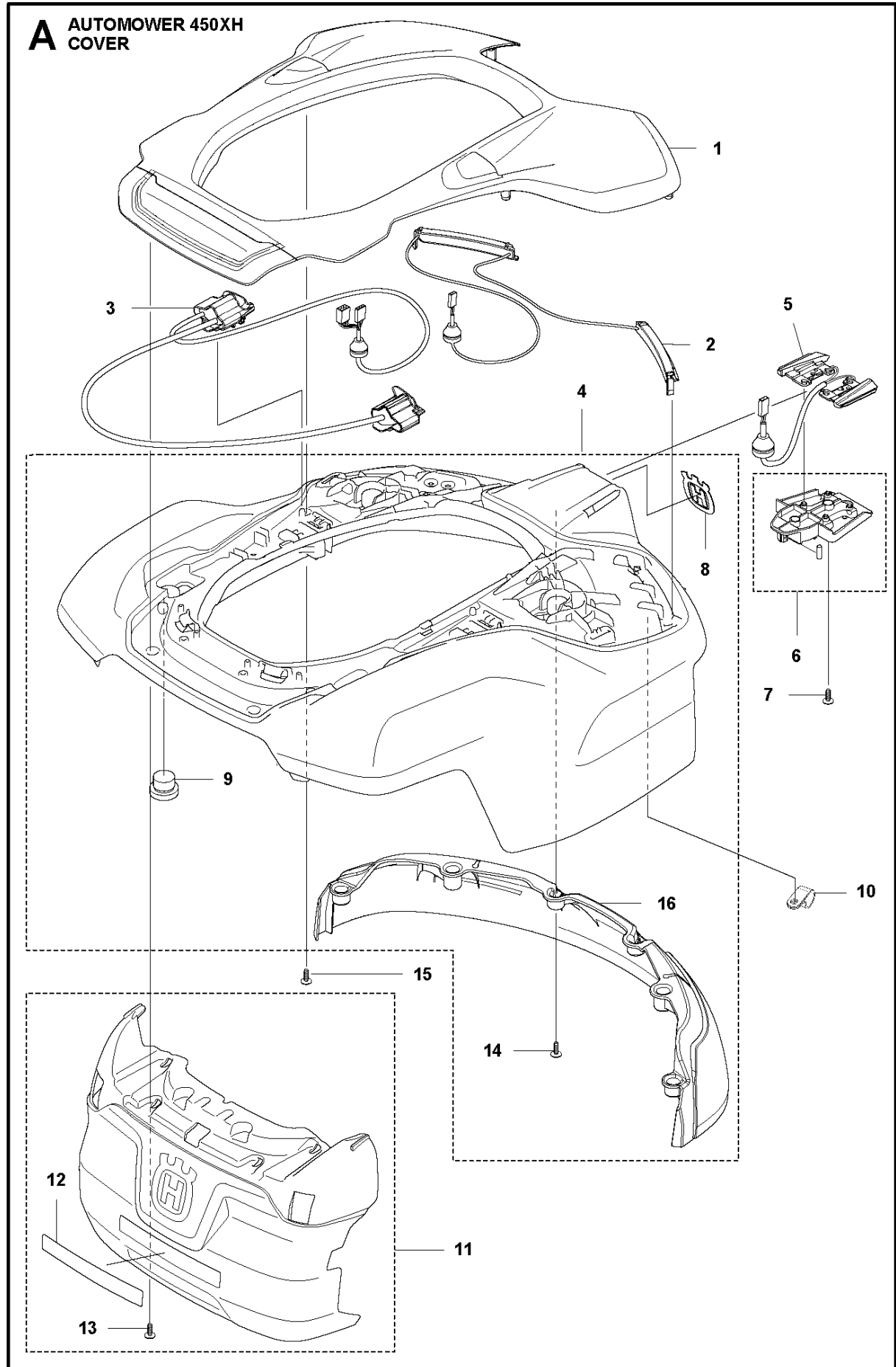




SPARE PARTS LIST

ROBOTIC LAWN MOWERS

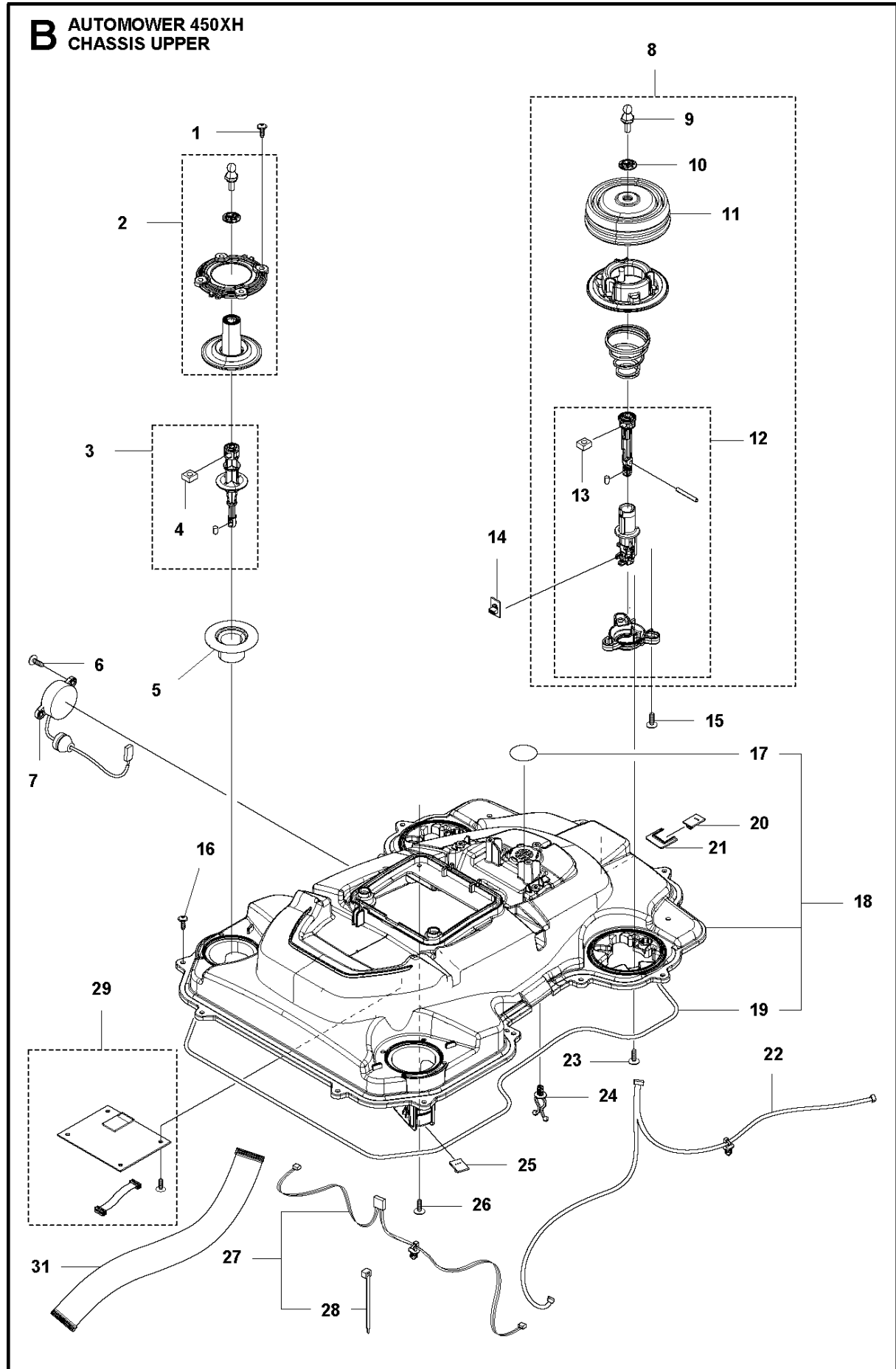
AUTOMOWER 450XH, 2019-02



COVER

AUTOMOWER 450XH, 2019-02

Ref	Part No	Description	Remark	QTY KIT
1	588 79 91-02	BODY KIT	Top Cover White	1
2	501 06 51-01	WIRING ASSY	LED Lights	1
1	588 79 91-03	BODY KIT	Top Cover Orange	1
3	501 06 52-01	WIRING ASSY	US-Sensors	1
4	596 48 54-01	BODY ASSY	High-Cut	1
5	585 53 92-04	CABLE ASSY	Charging Plate Wiring	1
6	596 48 99-01	HOLDER ASSY		1
7	575 54 33-14	SCREW		2
8	587 42 35-01	DECAL	Decal Crown	1
9	580 52 68-01	CAP	Cap Snaploc	4
10	501 61 06-01	CLAMP	Clips	1
11	596 48 97-01	BUMPER ASSY		1
12	586 35 97-01	LABEL	Label Warning	1
13	574 45 01-01	SCREW ITXPANT		10
14	574 45 01-01	SCREW ITXPANT	Front Bumper	6
15	574 45 01-01	SCREW ITXPANT	Top Cover	6
16	593 11 74-01	BUMPER		1

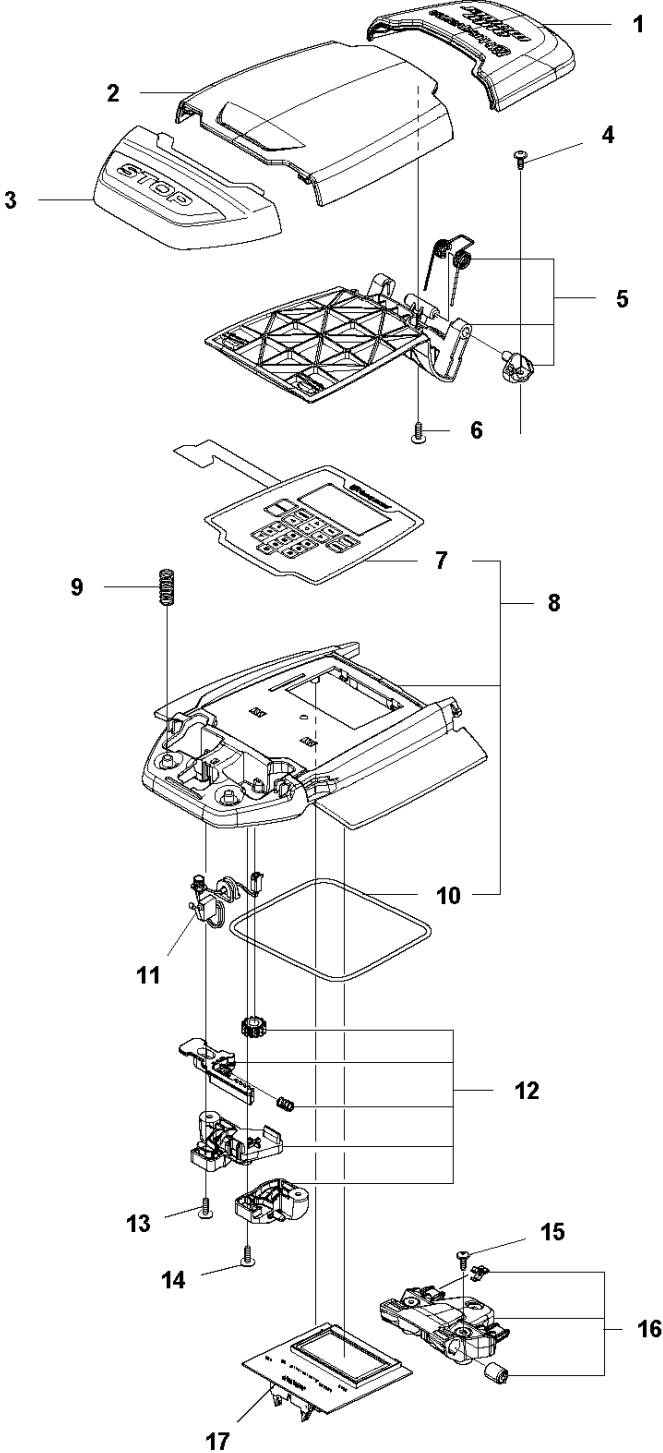


CHASSIS UPPER

AUTOMOWER 450XH, 2019-02

Ref	Part No	Description	Remark	QTY KIT
1	574 45 01-01	SCREW ITXPANT		8
2	501 06 13-01	JOYSTICK KIT	Rear	2
3	501 12 26-02	JOYSTICK KIT	Column Kit	2
4	503 22 66-01	SQUARE NUT		2
5	535 14 32-01	DEFLECTION LIMITER		2
6	575 54 33-14	SCREW		2
7	579 70 63-02	BUZZER		1
8	581 62 09-03	JOYSTICK KIT	Front	2
9	580 52 67-01	STUD		2
10	579 52 57-01	WASHER		2
11	579 47 46-01	BELLOWS		2
12	587 44 88-02	JOYSTICK KIT		2
13	503 22 66-01	SQUARE NUT		2
14	592 85 23-01	PRINTED CIRCUIT ASSY	PCBA Lift Sensor	2
15	575 54 33-14	SCREW		6
16	574 45 01-01	SCREW ITXPANT		14
17	577 75 37-01	AIR FILTER	Air Filter 10 pcs	1
18	581 62 08-02	CHASSIS KIT		1
19	574 87 47-05	SEALING STRIP	1 pcs, diam 5 mm	1
20	592 85 24-01	PRINTED CIRCUIT ASSY	PCBA Collision Sensor	1
21	587 83 49-01	CLIP		1
22	581 66 09-01	LOOM KIT	Wiring	1
23	575 54 33-14	SCREW	Check this part	6
24	580 68 29-01	HOLDER	Holder Twist Lock	2
25	592 85 24-01	PRINTED CIRCUIT ASSY	PCBA Collision Sensor	1
26	575 54 33-14	SCREW	Check this part	4
27	581 62 11-01	LOOM KIT	Wiring	1
28	900 23 87-08	TIE WRAP		2
29	586 66 23-05	GPS MODULE	Automower Connect Kit	1
31	579 70 62-01	CABLE ASSY	Wiring	1

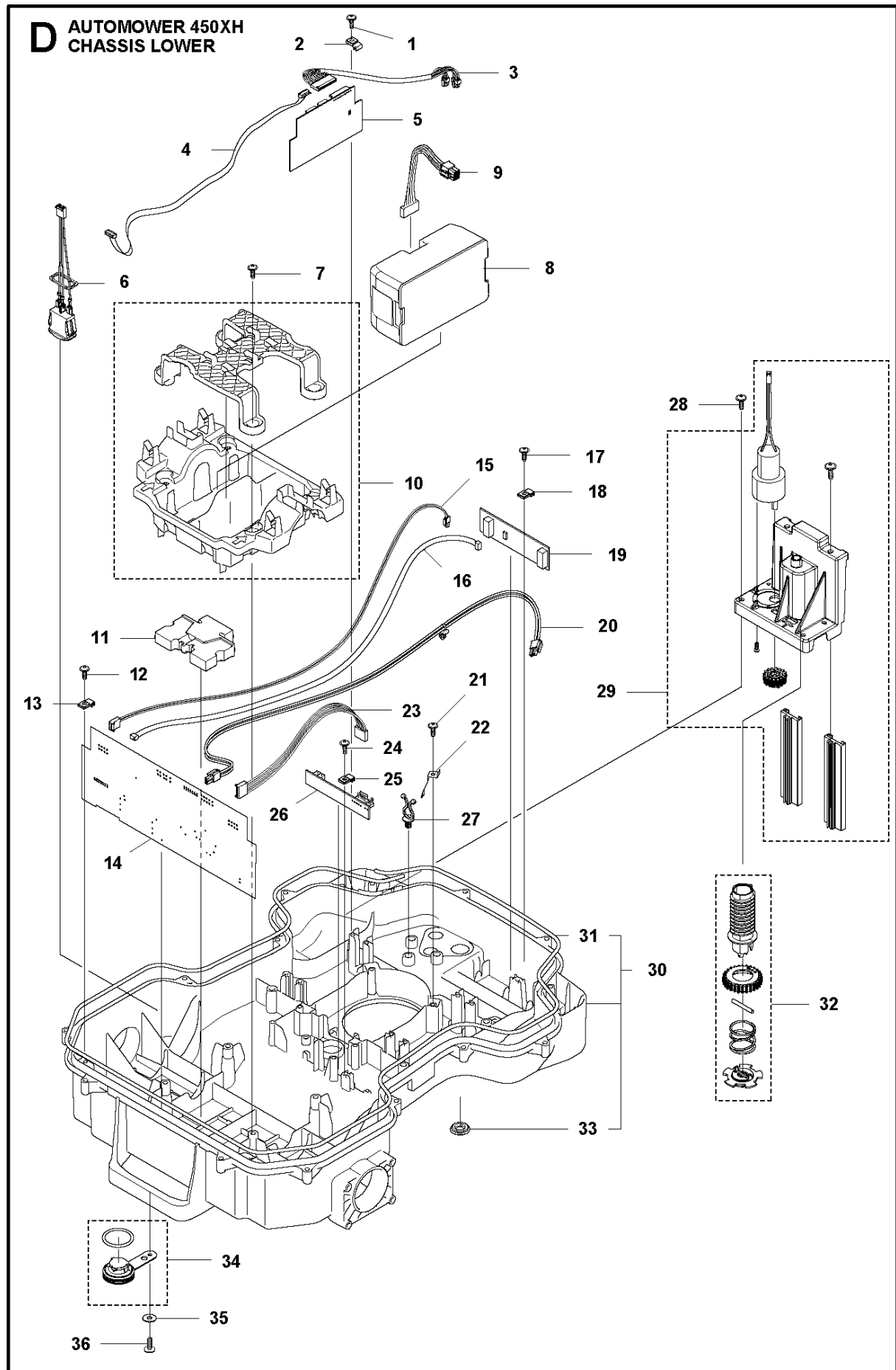
C AUTOMOWER 450XH
CENTER CONSOL



CENTER CONSOL

AUTOMOWER 450XH, 2019-02

Ref	Part No	Description	Remark	QTY KIT
1	588 79 75-08	COVER		1
2	579 45 85-03	HATCH		1
3	594 92 73-01	BUTTON	Stop Button	1
4	575 54 33-14	SCREW		2
5	501 06 58-01	HINGE KIT		1
6	575 54 33-14	SCREW		2
7	579 62 79-02	KEYBOARD		1
8	583 94 37-02	COVER KIT		1
9	535 13 01-01	SPRING		2
10	574 87 47-06	SEALING STRIP	1 pcs, diam 5 mm	1
11	574 48 03-02	SWITCH	Locking Plate Kit	1
12	501 06 60-01	LOCK KIT		1
13	575 54 33-14	SCREW		1
14	575 54 33-14	SCREW		1
15	575 54 33-14	SCREW		3
16	581 62 07-01	SUPPORT KIT		1
17	592 91 04-01	PRINTED CIRCUIT ASSY	PCBA HMI	1

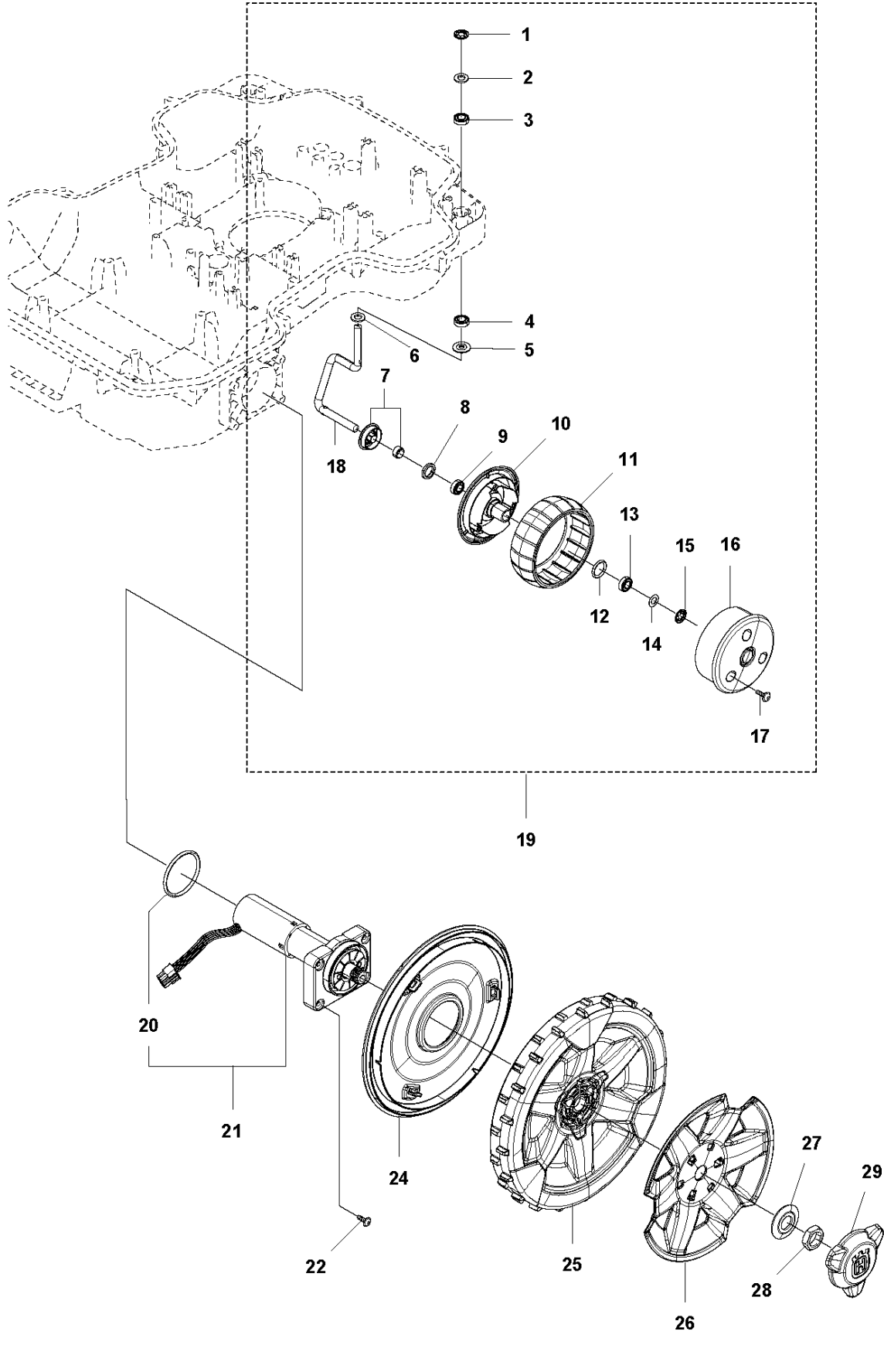


CHASSIS LOWER

AUTOMOWER 450XH, 2019-02

Ref	Part No	Description	Remark	QTY KIT
1	575 54 33-14	SCREW		2
2	579 52 94-01	CLAMP		2
3	580 61 44-01	WIRING ASSY	US-Extension Wiring	1
4	579 70 86-01	WIRING ASSY	AUX Cable	1
5	578 28 57-01	PRINTED CIRCUIT ASSY	PCBA US	1
6	579 70 87-01	CABLE ASSY	Switch On-Off	1
7	574 45 01-01	SCREW ITPANT		4
8	593 24 74-01	BATTERY		2
9	591 20 36-01	WIRING ASSY	Battery	1
10	596 49 47-01	HOLDER KIT	Holder Kit	1
11	589 36 62-01	WEIGHT	Weight 470g	2
12	575 54 33-14	SCREW		2
13	579 52 94-01	CLAMP		2
14	592 85 26-01	PRINTED CIRCUIT ASSY	Main Board	1
15	588 81 84-02	WIRING ASSY	LED-Extension Wiring	1
16	579 70 82-01	LOOM	Sensor Cable	1
17	575 54 33-14	SCREW		2
18	579 52 94-01	CLAMP		2
19	592 85 27-01	PRINTED CIRCUIT ASSY	PCBA Loop Sensor	1
20	580 37 07-02	LOOM	Charging Cable	1
21	575 54 33-14	SCREW		2
22	581 55 61-01	SPRING		2
23	579 70 80-01	LOOM	Height Adjustment Wiring	1
24	575 54 33-14	SCREW		1
25	579 52 94-01	CLAMP		1
26	579 72 85-02	PRINTED CIRCUIT ASSY	PCBA Height Adjustment	1
27	580 68 29-01	HOLDER	Holder Twist Lock	3
28	575 54 33-14	SCREW		4
29	501 06 83-01	MOTOR ASSY		1
30	596 50 31-01	CHASSIS KIT		1
31	574 87 47-05	SEALING STRIP	1 pcs, diam 5 mm	1
32	581 62 16-01	SCREW KIT		1
33	584 89 75-01	GROMMET		1
34	581 62 12-02	PLUG KIT		1
35	734 11 37-41	WASHER		1
36	574 45 01-01	SCREW ITPANT		1

E AUTOMOWER 450XH
WHEELS & TIRES

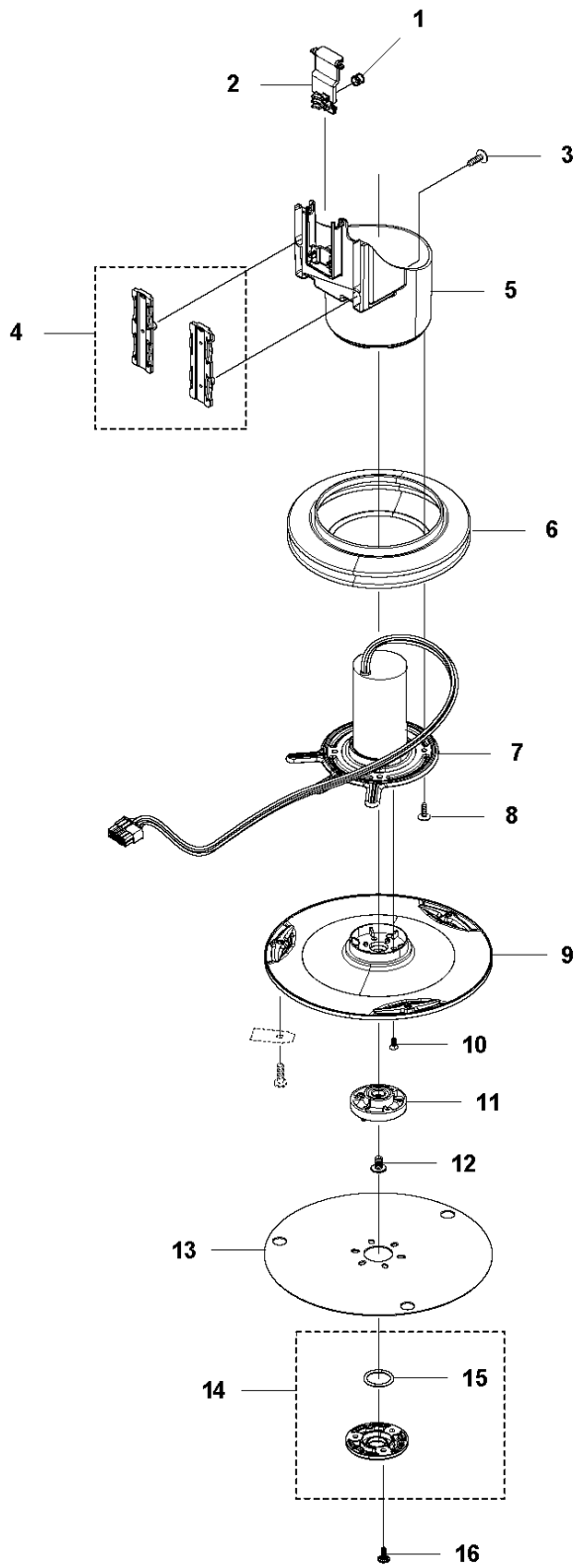


WHEELS & TIRES

AUTOMOWER 450XH, 2019-02

Ref	Part No	Description	Remark	QTY KIT
1	576 01 93-02	LOCKWASHER		2
2	580 76 46-01	WASHER		2
3	580 60 51-01	BALL BEARING		2
4	580 60 51-01	BALL BEARING		2
5	535 08 78-03	WASHER		2
6	580 76 46-01	WASHER		2
7	581 62 15-01	SHIELD KIT		2
8	580 48 71-01	SEALING		2
9	580 60 51-01	BALL BEARING		2
10	579 45 71-01	WHEEL	Inside	2
11	574 44 98-01	WHEEL	Tire	2
12	580 44 51-01	O-RING		2
13	580 60 51-01	BALL BEARING		2
14	580 76 46-01	WASHER		2
15	576 01 93-02	LOCKWASHER		2
16	579 45 72-01	WHEEL	Outside	2
17	575 54 33-14	SCREW		6
18	580 33 61-01	SPINDLE		2
19	581 62 14-01	WHEEL KIT	Front Wheel Kit	2
20	580 44 39-02	O-RING		2
21	581 62 13-04	MOTOR KIT	Wheel Motor Assy	2
22	574 45 01-01	SCREW ITPANT		8
24	582 27 60-01	COVER		2
25	582 27 25-03	WHEEL	Rear Wheel	2
26	579 50 57-01	WHEEL COVER		2
27	586 21 06-01	WASHER		2
28	731 43 24-01	HEXAGON THIN NUT		2
29	579 50 55-02	HUB CAP		2

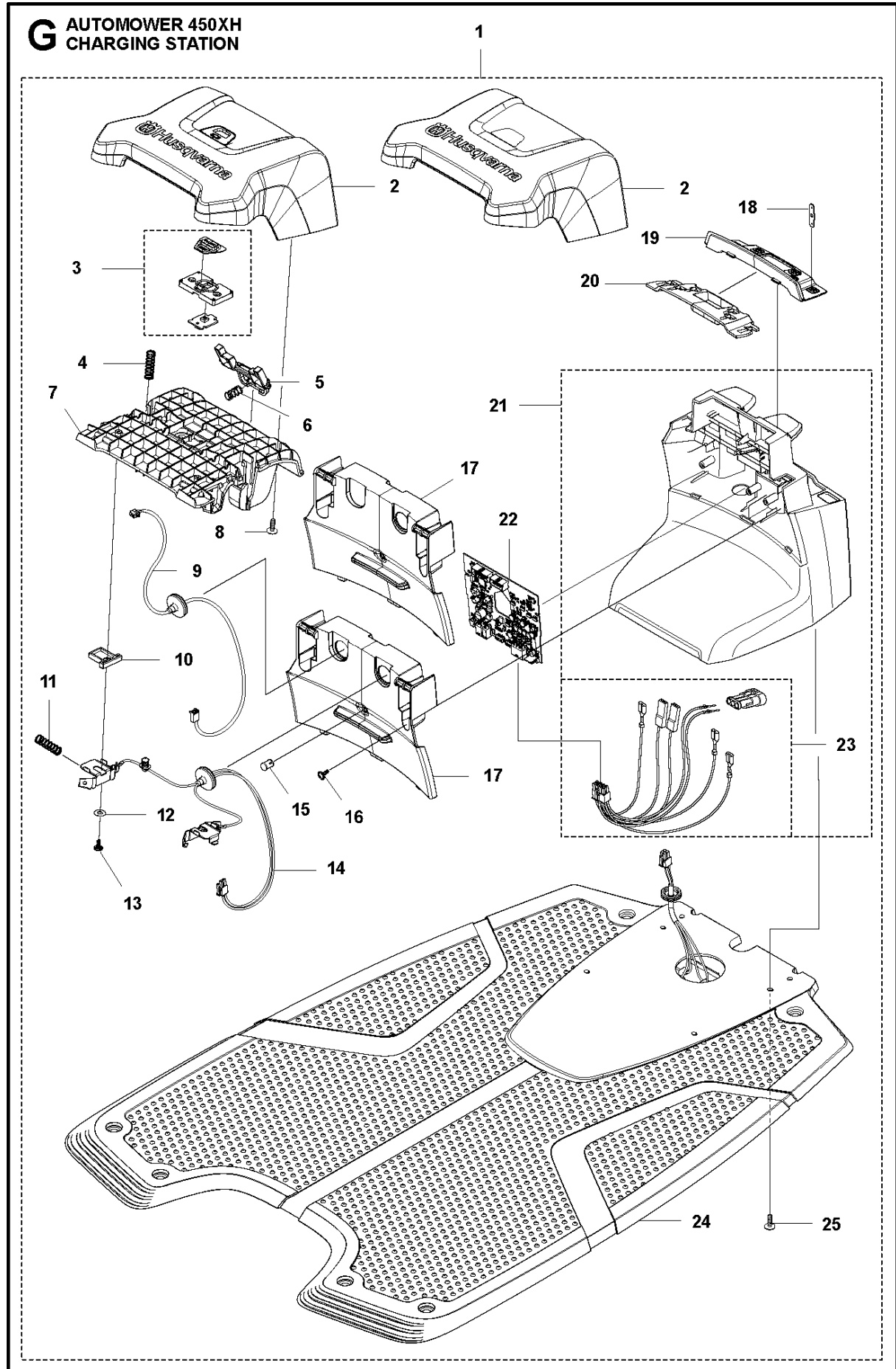
F AUTOMOWER 450XH
BLADE MOTOR & CUTTING EQUIPMENT



BLADE MOTOR & CUTTING EQUIPMENT

AUTOMOWER 450XH, 2019-02

Ref	Part No	Description	Remark	QTY KIT
1	580 62 44-01	SPRING		1
2	579 56 46-01	LINK		1
3	575 54 33-14	SCREW		3
4	581 62 18-01	BEARING KIT		1
5	579 56 45-01	HOUSING		1
6	579 66 64-03	BELLOWS		1
7	587 38 14-01	MOTOR ASSY	Cutting Motor Assy	1
8	575 54 33-14	SCREW		4
9	587 37 81-01	CUTTING DISC		1
10	535 13 05-02	SCREW		3
11	588 42 17-02	BEARING HOUSING ASSY		1
12	535 07 60-01	SCREW		1
13	587 37 80-01	SKID PLATE		1
14	587 44 96-01	COVER KIT	Bearing Cover Assy	1
15	585 29 75-01	O-RING		1
16	575 54 33-14	SCREW		3

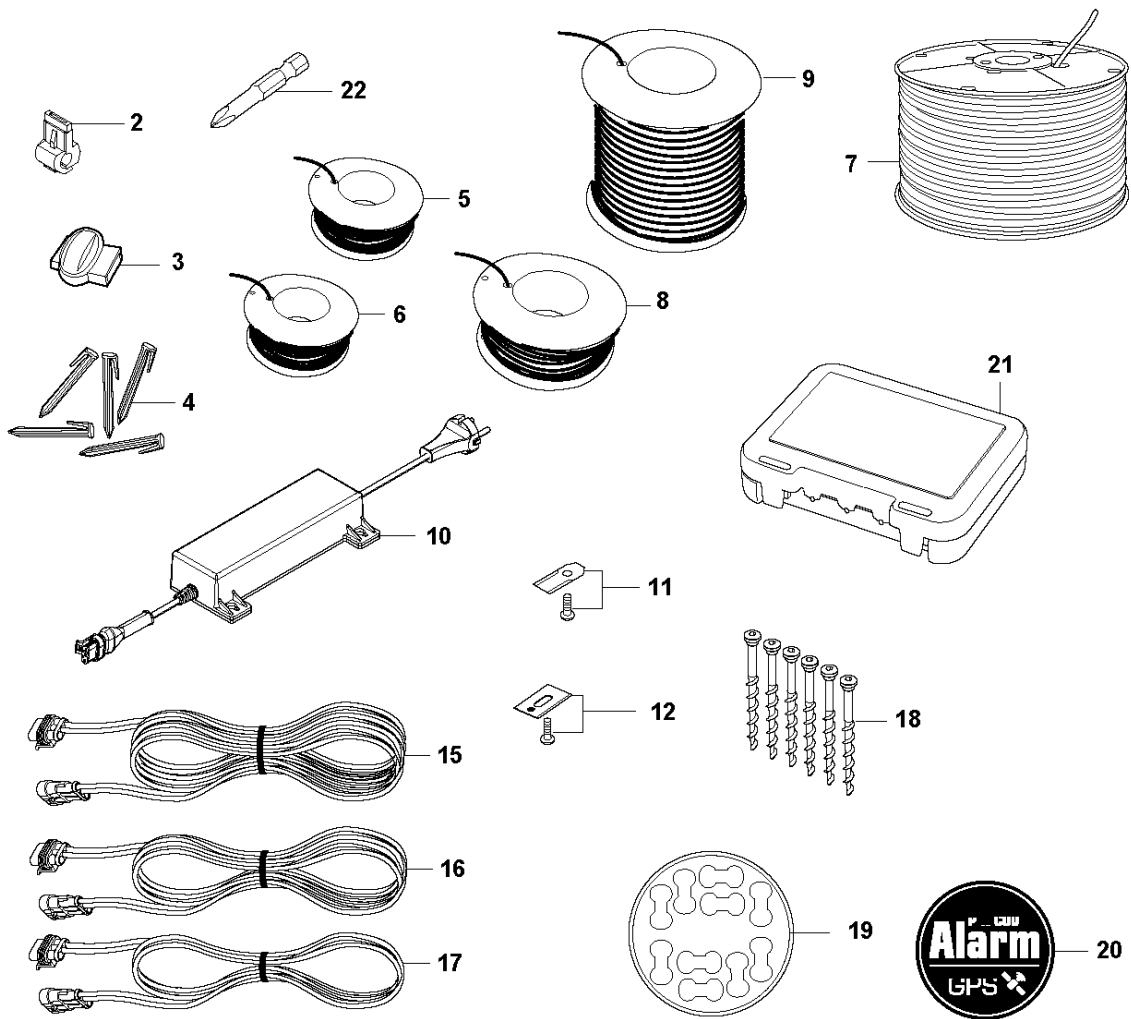
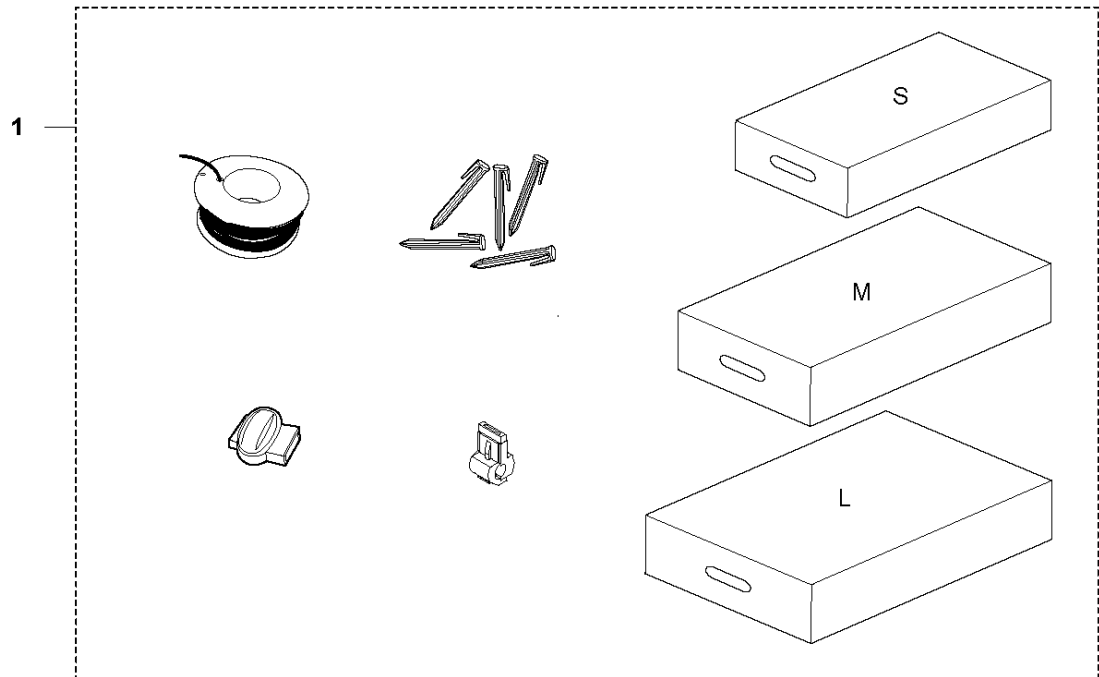


CHARGING STATION

AUTOMOWER 450XH, 2019-02

Ref	Part No	Description	Remark	QTY KIT
1	596 53 75-01	CHARGING STATION	Universal High-Cut	1
2	579 44 82-04	CAP	With park button	1
2	579 44 82-03	CAP	Without park button	1
3	501 06 59-01	BUTTON KIT	Home Button Kit	1
4	580 51 14-01	SPRING		2
5	579 46 24-02	BUTTON	Button-Release	1
6	574 48 70-01	SPRING		1
7	579 45 80-04	FRAME		1
8	575 54 33-14	SCREW		4
9	579 70 83-01	LOOM	Home Button Wiring	1
10	579 46 05-01	DISTANCE		2
11	580 51 14-01	SPRING		2
12	734 11 37-41	WASHER		2
13	575 54 33-14	SCREW		2
14	585 53 95-02	CABLE ASSY	Loom Charging Contact	1
15	590 21 72-01	LENS		1
16	575 54 33-14	SCREW		2
17	579 45 97-03	LID	2 holes (with park button)	1
17	579 45 97-04	LID	1 hole (without park button)	1
18	580 50 41-01	TERMINAL		5
19	579 45 98-03	PANEL		1
20	579 45 99-01	HOLDER		1
21	596 49 67-01	HOUSING ASSY		1
22	596 32 80-01	PRINTED CIRCUIT ASSY	PCBA Charging Station	1
23	588 47 89-01	CABLE KIT	Wiring CS	1
24	590 09 40-01	BASE ASSY	Charging Plate	1
25	575 54 33-14	SCREW		4

H AUTOMOWER 450XH INSTALLATION ACCESSORIES

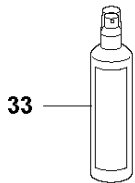
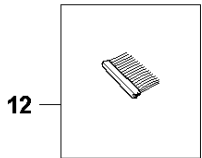
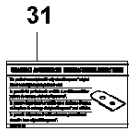
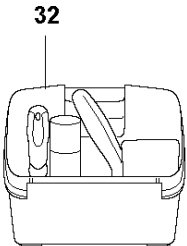
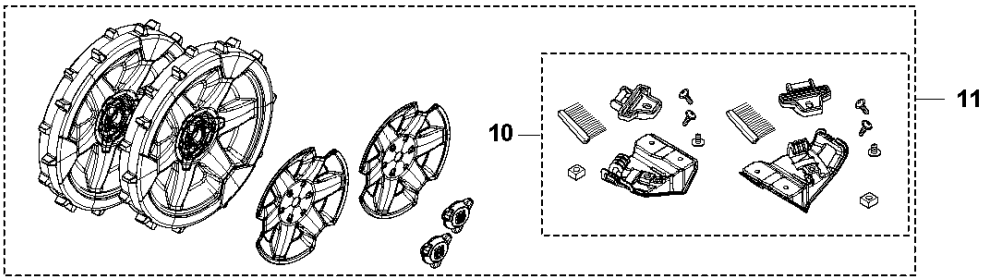
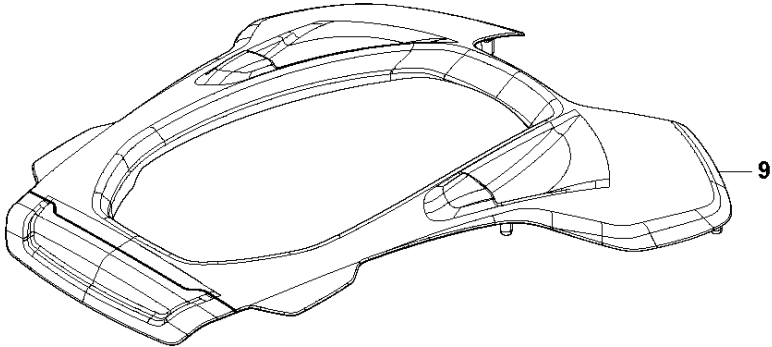
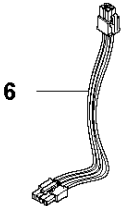
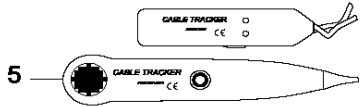
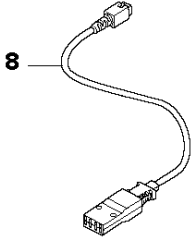
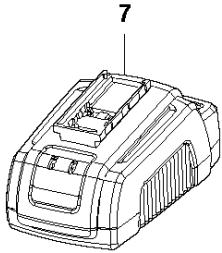
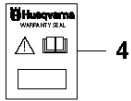
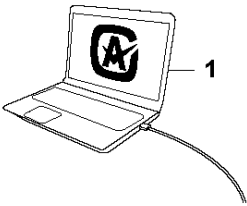


INSTALLATION ACCESSORIES

AUTOMOWER 450XH, 2019-02

Ref	Part No	Description	Remark	QTY KIT
1	967 62 36-01	INSTALLATION KIT	S Wire 150 m, Staples 300 pc, Connectors 3 pcs, Couplers 5 pcs	1
1	967 62 36-02	INSTALLATION KIT	M Wire 250 m, Staples 400 pc, Connectors 3 pcs, Couplers 5 pcs	1
1	967 62 36-03	INSTALLATION KIT	S Wire 400 m, Staples 600 pc, Connectors 5 pcs, Couplers 5 pcs	1
2	535 12 90-01	CONNECTOR	Loop Wire Connector	1
2	577 86 48-01	CONNECTOR	Loop Wire Connector, Blister Pack 5 pcs	1
2	535 12 90-02	CONNECTOR	Loop Wire Connector, Blister Pack 100 pcs	1
3	501 98 02-01	COUPLER	Coupler	1
3	577 86 47-01	COUPLER	Coupler, Blister Pack 5 pcs	1
3	501 98 02-03	COUPLER	Coupler, 100 pcs	1
4	577 86 42-01	STAPLE	Staple Blister Pack 100 pcs	1
4	583 97 34-01	STAPLE	100 pcs	1
5	577 86 43-02	WIRE	Wire, Blister Pack 50 m	1
5	580 66 20-02	WIRE	Wire, 150 m	1
5	577 86 43-01	WIRE	Wire, Blister Pack 150 m	1
6	580 66 20-01	WIRE	Wire, 250 m	1
7	593 29 77-01	WIRE	Wire Pro, 300 m	1
8	522 91 41-01	WIRE	Wire, 500 m, diam 3,4mm	1
9	580 66 20-04	WIRE	Wire, 800 m	1
10	586 81 22-04	POWER UNIT	Power Supply Unit, US,MX	1
11	577 86 46-03	BLADE SET	Long Life Safety Blade, Blister Pack 9 pcs	1
11	577 60 65-05	BLADE SET	Long Life Safety Blade, 45 pcs	1
11	577 60 66-04	BLADE SET	Long Life Safety Blade, 300 pcs	1
12	595 08 44-01	BLADE SET	Endurance Blade, Blister Pack 6 pcs	1
12	595 08 44-02	BLADE SET	Endurance Blade, 45 pcs	1
12	595 08 44-03	BLADE SET	Endurance Blade, 300 pcs	1
15	588 76 50-04	CABLE	Low Voltage Cable, 20 m	1
16	588 76 50-05	CABLE	Low Voltage Cable, 10 m	1
17	588 76 50-06	CABLE	Low Voltage Cable, 3 m	1
18	575 23 86-01	SCREW KIT	6 pcs	1
18	577 86 49-01	SCREW	Blister Pack, 3 pcs	1
19	586 27 79-01	STICKER	Cable Markers, 10 pcs	1
20	594 05 48-01	LABEL	Label Alarm	1
21	590 85 50-01	BOX	Cable Connector Protection	1
22	596 33 98-01	TOOL	Bit for Robotic Blades	1

**AUTOMOWER 450XH
ACCESSORIES**



ACCESSORIES

AUTOMOWER 450XH, 2019-02

Ref	Part No	Description	Remark	QTY KIT
2	577 51 81-02	CABLE	Service Cable USB	1
4	580 68 95-02	LABEL	Warranty Seal, 1pcs	1
5	577 60 68-01	TEST EQUIPMENT	Interruption Detector	1
6	591 20 36-01	WIRING ASSY	Battery	1
7	588 40 84-01	CHARGER	Quick Charger with Battery Test	1
8	588 20 26-01	CABLE ASSY	Cable Quick Charger	1
9	588 79 91-01	BODY KIT	Top Cover Grey	1
9	588 79 91-02	BODY KIT	Top Cover White	1
9	588 79 91-03	BODY KIT	Top Cover Orange	1
10	581 90 31-02	BRUSH KIT	Brush Kit, Incl. Brush 6 pcs	1
11	581 88 97-02	WHEEL KIT	Rear Wheel Kit, incl. Brush Kit	1
12	581 98 20-02	BRUSH KIT	Brush, 6 pcs	1
31	591 37 41-03	DECAL	Original Parts Sticker EN,ES,FR,IT	1
32	590 85 51-01	KIT	Maintenance and cleaning kit	1
33	593 96 79-01	SPRAY		1