

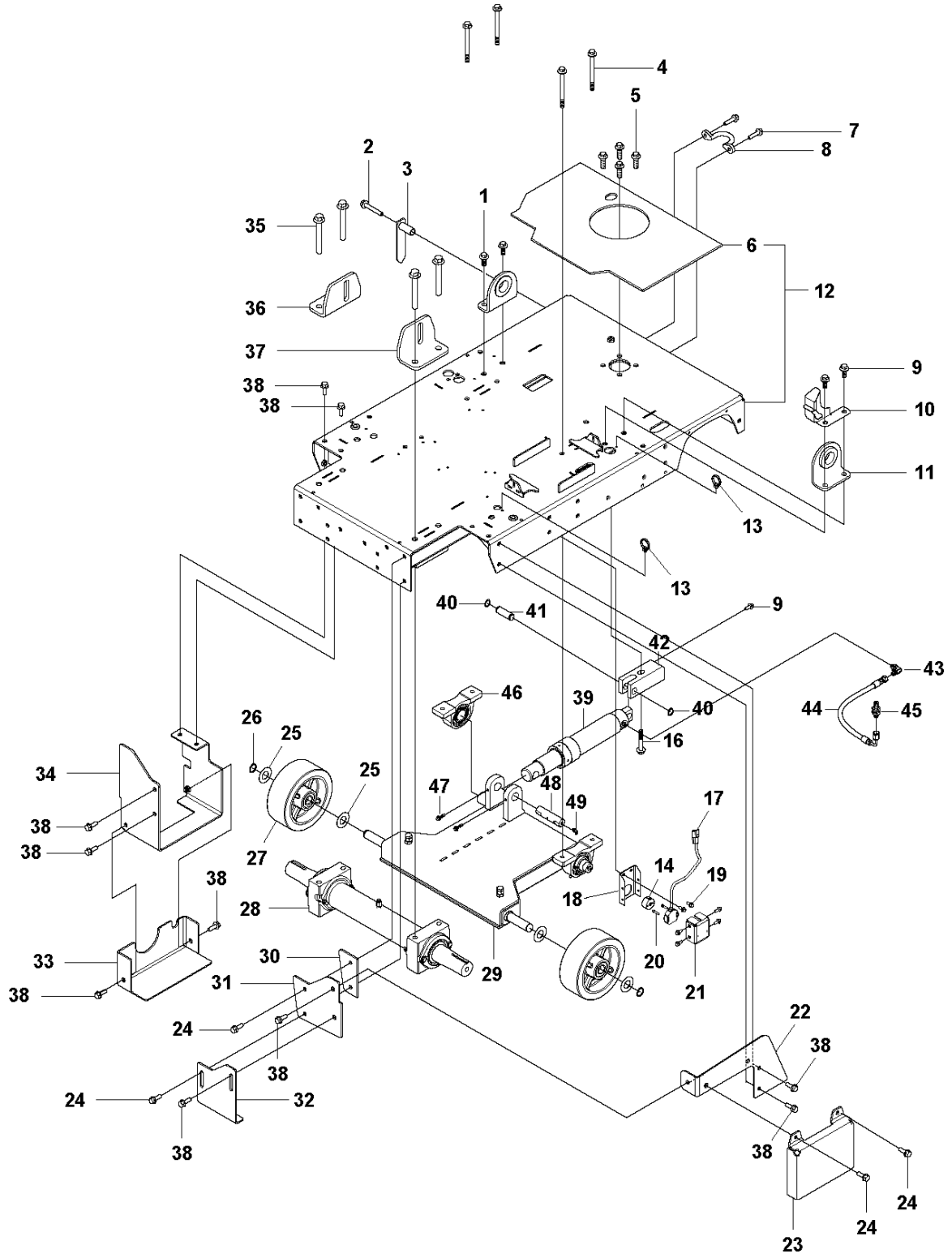


SPARE PARTS LIST

FLOOR SAWS

FS7000 DMT, 2017-02

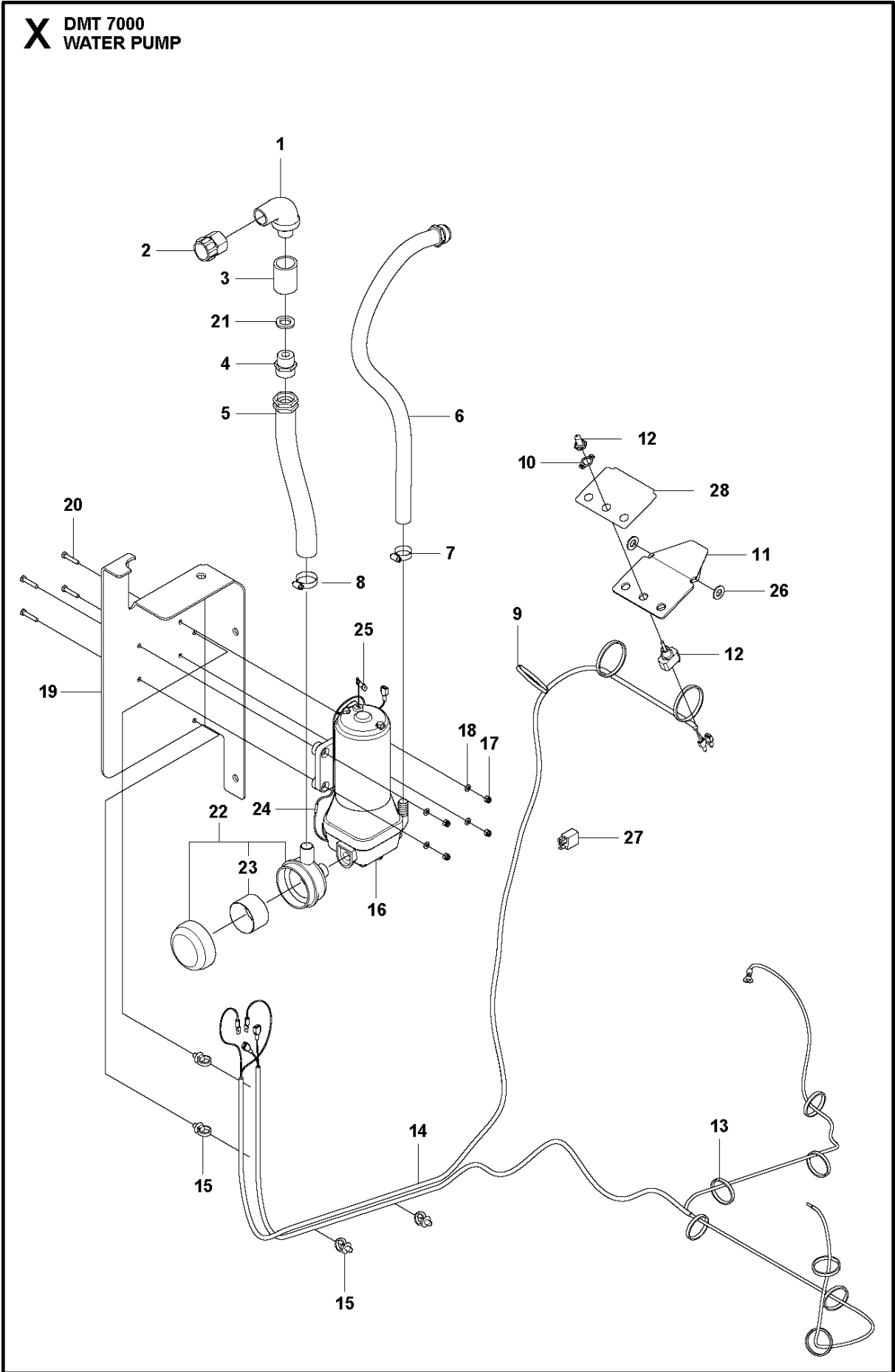
A FS7000 DMT
BASEPLATE



BASE PLATE

FS7000 DMT, 2017-02

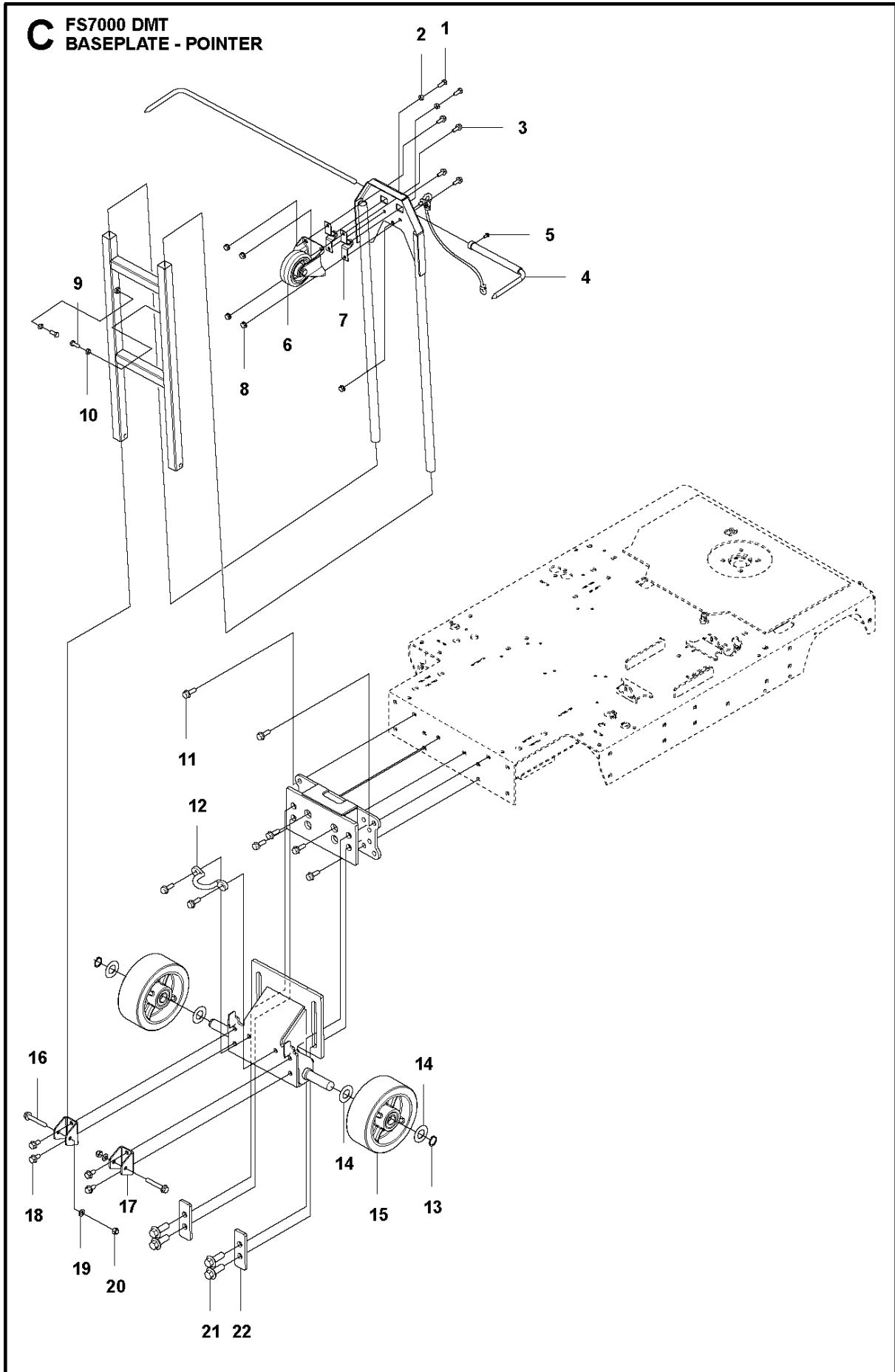
Ref	Part No	Description	Remark	QTY KIT
1	576 65 48-03	SCREW EHHFM		5
2	581 24 33-01	SCREW EHHFM		1
3	581 11 52-01	POINTER		1
4	576 65 48-13	SCREW EHHFM		4
5	576 65 48-04	SCREW EHHFM		4
6	581 16 72-01	INSULATOR		1
7	585 97 53-01	SCREW EHHFM		2
8	504 58 03-02	LOOP		1
9	576 65 48-03	SCREW EHHFM		5
10	588 56 85-01	BRACKET		1
11	579 23 22-01	MOUNT		2
12	590 54 61-01	BASEPLATE		1
13	583 95 95-01	CLAMP		3
14	581 14 06-01	MAGNET		1
16	576 65 48-07	SCREW EHHFM		1
17	581 14 07-01	SENSOR		1
18	579 33 03-01	PLATE		1
19	585 98 06-01	SCREW EHHFM		6
20	725 52 95-01	SCREW IHSCM		4
21	579 33 02-01	BOX		1
22	502 02 37-01	BRACKET		1
23	502 15 19-01	CONSOLE		1
24	585 98 04-01	SCREW EHHFM		4
25	542 04 64-02	WASHER		4
26	735 31 26-01	CIRCLIP		2
27	542 19 17-70	WHEEL ASSY		2
28	582 66 32-01	BLADE SUPPORT		1
29	501 44 79-01	FRONT AXLE		1
30	502 15 21-01	PLATE		5
31	502 15 23-01	PLATE		1
32	502 15 78-01	GUARD		1
33	582 12 52-01	GUARD		1
34	582 12 12-01	GUARD		1
35	581 24 94-05	SCREW EHHFM		4
36	579 72 73-01	MOUNT		1
37	579 72 72-01	MOUNT		1
38	585 97 52-01	SCREW EHHFM		10
39	501 49 32-01	HYDRAULIC CYLINDER		1
40	735 31 22-00	CIRCLIP		2
41	579 52 58-01	SHAFT		1
42	579 59 56-01	BLOCK		1
43	590 62 80-01	ADAPTER		1
44	590 62 81-01	HYDRAULIC HOSE		1
45	581 20 55-01	ADAPTER		1
46	579 73 54-01	BALL BEARING		2
47	542 19 90-53	SCREW		2
48	590 22 42-01	SHAFT		1
49	581 06 88-01	GREASE		1



WATER PUMP

FS7000 DMT, 2017-02

Ref	Part No	Description	Remark	QTY KIT
1	541 20 45-91	PIPE		1
2	541 20 46-61	CONNECTION		1
3	N/A	TBD		1
4	542 17 86-87	CONNECTOR		1
5	542 19 96-58	HOSE		1
6	542 19 96-57	HOSE		1
7	576 31 52-05	HOSE CLAMP		1
8	539 30 00-11	HOSE CLAMP		1
9	542 19 71-01	CABLE		3
10	542 09 05-52	PLATE		1
11	581 98 93-01	BRACKET		1
12	589 35 51-01	CIRCUIT BREAKER		1
13	542 16 69-06	TIE WRAP		7
14	586 45 66-01	HARNESS ASSY		1
15	583 95 95-01	CLAMP		4
16	582 34 55-01	WATER PUMP		1
17	732 25 14-01	HEXAGON LOCKING NUT		4
18	734 11 46-01	WASHER		4
19	586 27 09-01	BRACKET		1
20	725 23 33-71	SCREW EHHM		4
21	N/A	TBD		1
22	542 19 96-41	FILTER		1
23	542 19 96-43	STRAINER SCREEN. W/P INLET FILTER		1
24	586 45 67-01	HARNESS ASSY		1
25	539 30 01-44	TERM., MALE DISCONNECT, 1/4"		1
26	734 11 72-01	WASHER		2
27	581 07 45-01	RELAY		1
28	582 52 10-01	DECAL		1

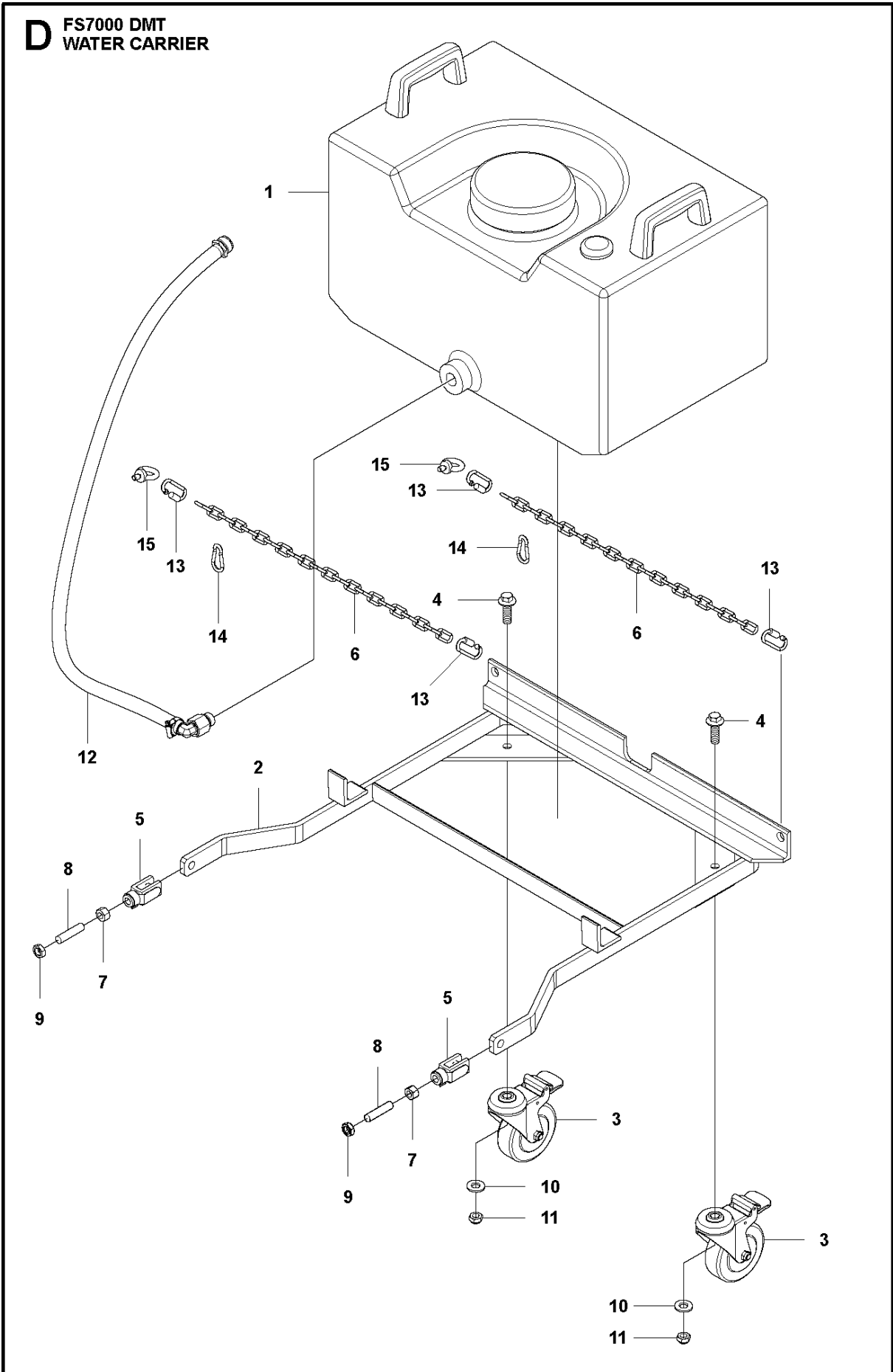


BASE PLATE POINTER

FS7000 DMT, 2017-02

Ref	Part No	Description	Remark	QTY KIT
1	725 24 51-71	SCREW EHHM		2
2	731 23 18-01	HEXAGON NUT		2
3	585 97 54-01	SCREW EHHFM		4
4	585 89 15-01	POINTER		1
5	725 23 64-71	SCREW EHHM		1
6	579 85 67-01	POINTER		1
7	581 22 25-01	BRACKET		2
8	731 71 18-51	HEXAGON NUT FLANGE		4
9	725 24 51-71	SCREW EHHM		2
10	731 23 18-01	HEXAGON NUT		2
11	585 98 04-01	SCREW EHHFM		8
12	504 58 03-02	LOOP		1
13	735 31 26-01	CIRCLIP		2
14	542 04 64-02	WASHER		4
15	542 19 17-70	WHEEL ASSY		2
16	581 24 33-01	SCREW EHHFM		2
17	579 35 94-01	BRACKET		2
18	585 97 52-01	SCREW EHHFM		4
19	734 11 72-01	WASHER		2
20	732 25 20-01	HEXAGON LOCKING NUT		2
21	541 20 15-75	BOLT		4
22	501 56 49-01	PLATE		2

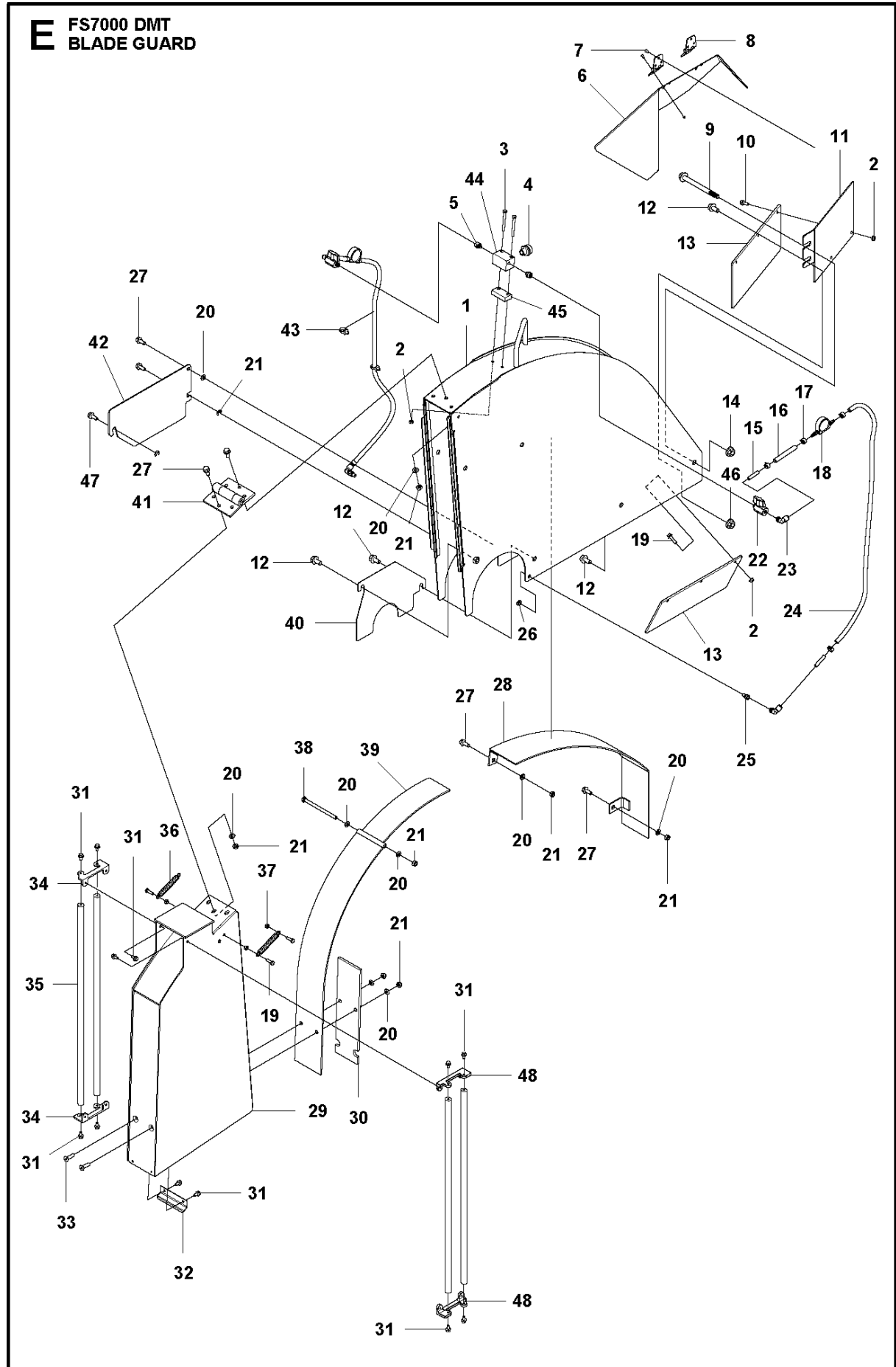
D FS7000 DMT
WATER CARRIER



WATER TANK

FS7000 DMT, 2017-02

Ref	Part No	Description	Remark	QTY KIT
1	591 00 90-01	TANK ASSY		1
2	501 71 36-01	FRAME ASSY		1
3	502 56 91-01	WHEEL		2
4	576 65 48-04	SCREW EHHFM		2
5	501 71 40-01	FORK		2
6	582 58 86-01	CHAIN		2
7	731 23 22-01	HEXAGON NUT		2
8	501 71 86-01	PIN		2
9	542 17 30-10	NUT		2
10	539 99 02-50	WASHER		2
11	732 25 22-01	HEXAGON LOCKING NUT		2
12	542 19 96-57	HOSE		1
13	582 58 87-01	CONNECTOR		4
14	582 58 88-01	HOOK		1
15	584 91 14-01	EYE BOLT		2

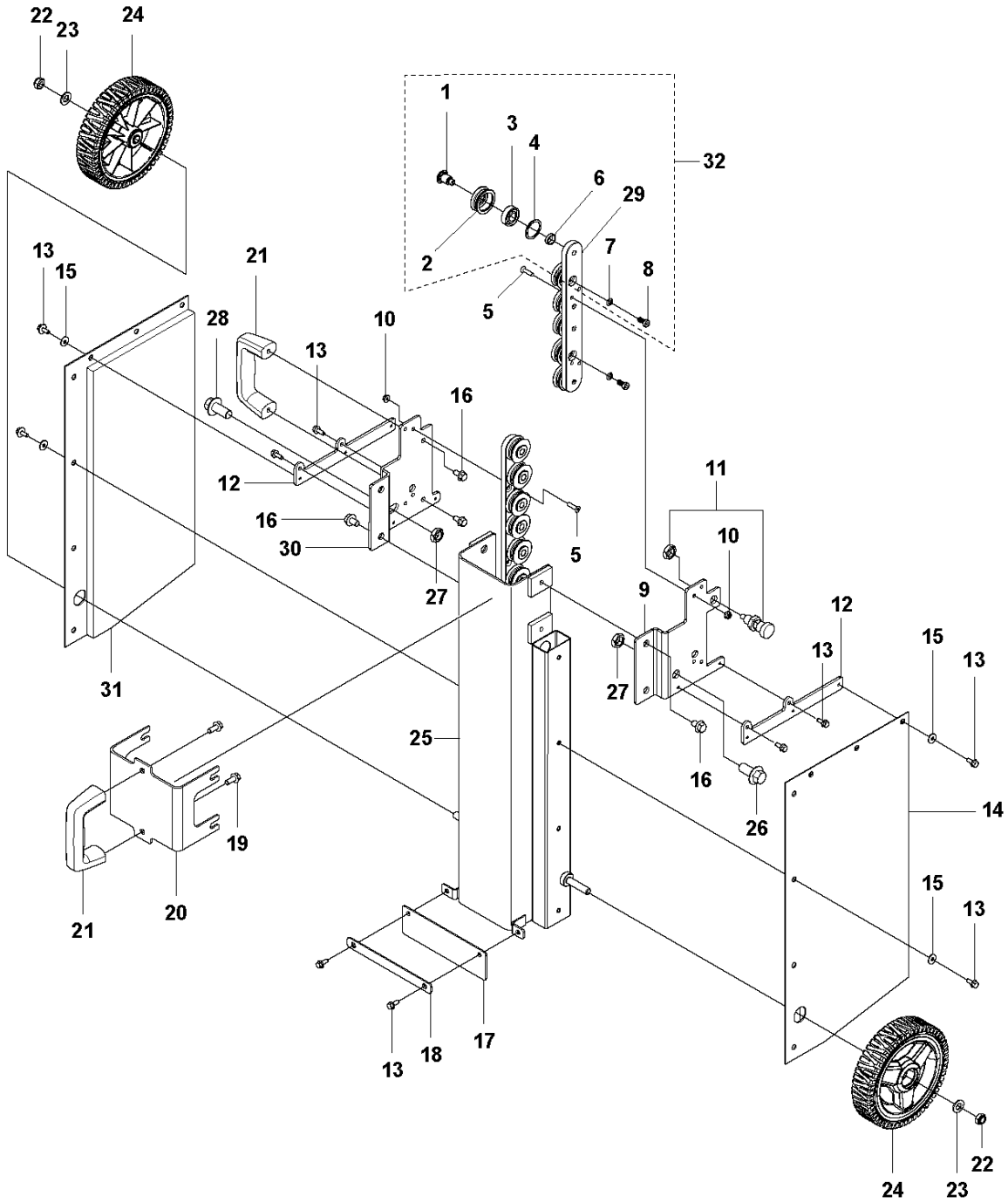


BLADE GUARD

FS7000 DMT, 2017-02

Ref	Part No	Description	Remark	QTY KIT
1	579 83 87-01	BLADE GUARD		1
2	732 25 16-01	HEXAGON LOCKING NUT		10
3	725 23 82-51	SCREW EHHM		2
4	541 20 82-96	HYDRAULIC KIT		1
5	590 37 54-01	ADAPTER		2
6	582 35 86-01	COVER		1
7	505 62 89-01	FHS 8-32-3/8 S.S.		13
8	582 36 34-01	HINGE		2
9	576 65 48-13	SCREW EHHFM		1
10	585 98 06-01	SCREW EHHFM		4
11	582 36 18-01	BRACKET		1
12	585 97 52-01	SCREW EHHFM		5
13	582 36 25-01	SPLASH GUARD		2
14	731 71 22-51	HEXAGON NUT FLANGE		1
15	589 80 97-01	FITTING		4
16	582 37 75-01	TUBE		2
17	542 02 00-49	HOSE CLAMP		8
18	582 36 58-01	INDICATOR		2
19	585 98 03-01	SCREW EHHFM		5
20	734 11 63-01	WASHER		13
21	732 25 18-01	HEXAGON LOCKING NUT		14
22	582 36 54-01	VALVE		2
23	591 35 36-01	FITTING		4
24	582 37 76-01	TUBE		2
25	579 81 73-01	NOZZLE		2
26	731 43 18-01	HEXAGON THIN NUT		2
27	585 97 54-01	SCREW EHHFM		9
28	582 34 21-01	BRACKET		1
29	579 78 53-01	BLADE GUARD		1
30	582 34 20-01	PLATE		1
31	585 97 33-01	SCREW EHHFM		18
32	589 22 24-01	PLATE		1
33	725 64 55-01	SCREW IHCSFM		2
34	589 22 13-01	BRACKET		2
35	501 67 12-01	ROD		4
36	542 19 91-28	SPRING		2
37	731 23 16-01	HEXAGON NUT		4
38	725 24 75-51	SCREW EHHM		1
39	582 34 23-01	BRACKET		1
40	582 52 26-01	LATCH		1
41	542 04 91-54	HINGE		1
42	501 85 68-01	LATCH		1
43	583 95 95-01	CLAMP		2
44	582 37 16-01	MANIFOLD		1
45	582 37 61-01	SPACER		1
46	731 71 20-51	HEXAGON NUT FLANGE		1
47	506 57 01-05	SCREW EHHFM		2
48	589 66 58-01	BRACKET		2

F FS7000 DMT
FRONT GUARD

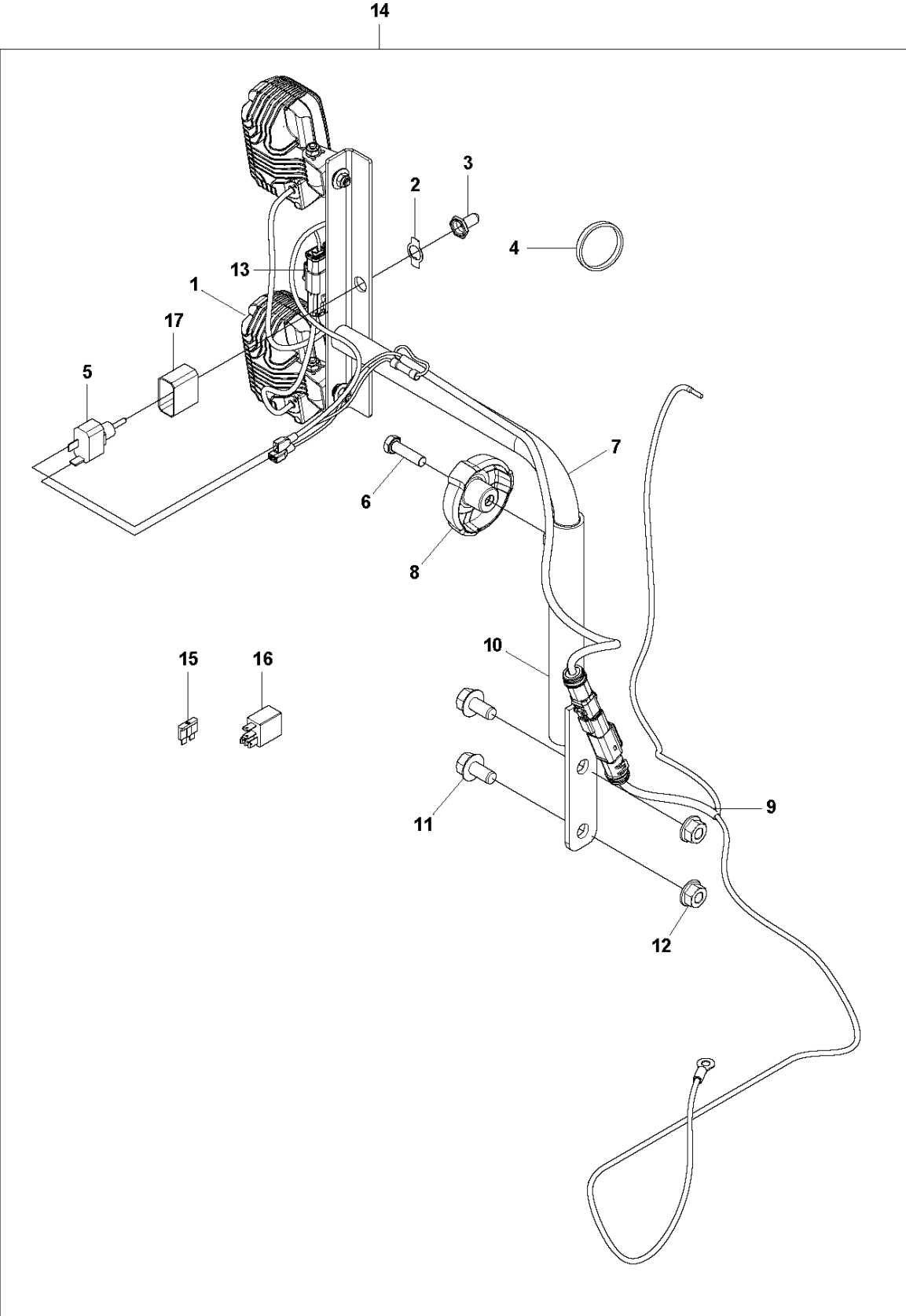


FRONT GUARD

FS7000 DMT, 2017-02

Ref	Part No	Description	Remark	QTY KIT
1	531 12 23-58	WHEEL		8
2	531 12 21-83	WHEEL		12
3	523 22 86-01	BEARING		12
4	735 31 33-10	CIRCLIP		12
5	725 63 72-51	SCREW IHCSFM		8
6	531 12 23-38	SPACER RING		12
7	531 14 07-12	WASHER		4
8	531 14 06-85	SCREW		4
9	589 22 10-01	BRACKET	Left side	1
10	731 71 16-51	HEXAGON NUT FLANGE		8
11	579 67 51-01	LOCK		1
12	589 22 30-01	PLATE		2
13	585 98 06-01	SCREW EHHFM		20
14	579 67 59-01	FLAP	Left side	1
15	734 11 54-41	WASHER		14
16	585 99 73-01	SCREW EHHFM		4
17	579 67 84-01	SPLASH GUARD		1
18	582 33 99-01	PLATE		1
19	585 97 56-01	SCREW EHHFM		4
20	582 54 57-01	BRACKET		1
21	541 40 49-09	HANDLE		2
22	732 25 22-01	HEXAGON LOCKING NUT		2
23	734 11 78-01	WASHER		2
24	532 40 12-73	WHEEL ASSY		2
25	501 68 43-01	SHIELD		1
26	587 25 90-01	SCREW EHHFM		2
27	731 43 24-01	HEXAGON THIN NUT		2
28	578 30 06-01	SHAFT		4
29	576 55 95-01	WHEEL BRACKET		2
30	589 22 14-01	BRACKET	Right side	1
31	579 67 60-01	FLAP	Right side	1
32	589 22 12-01	BRACKET		1

G FS7000 DMT
LIGHTING KIT

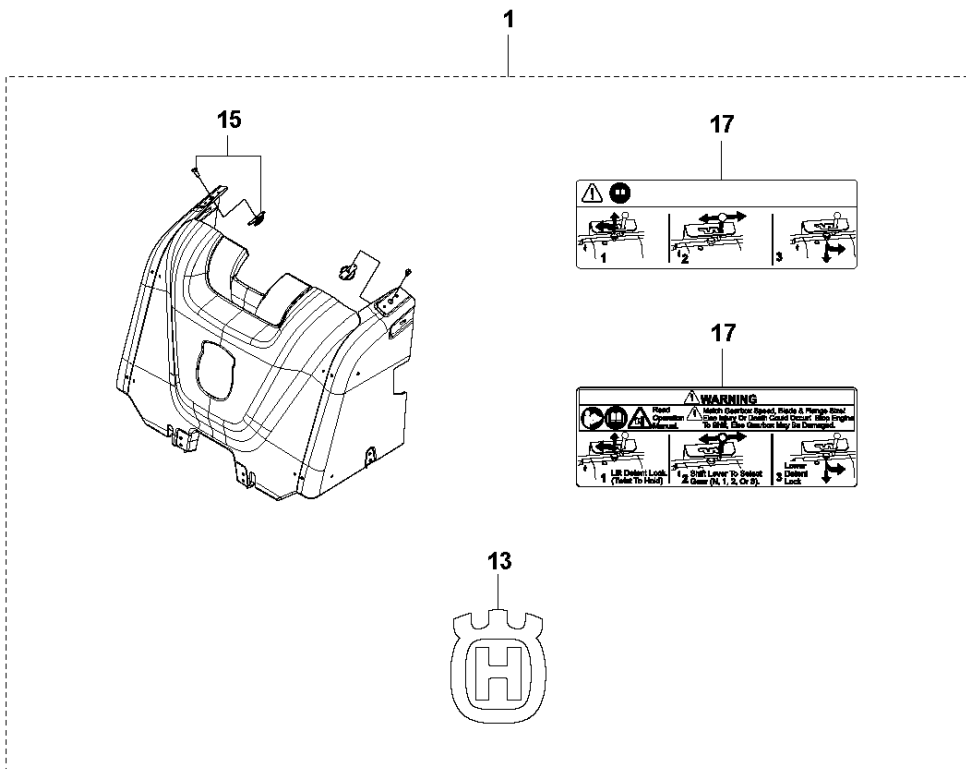
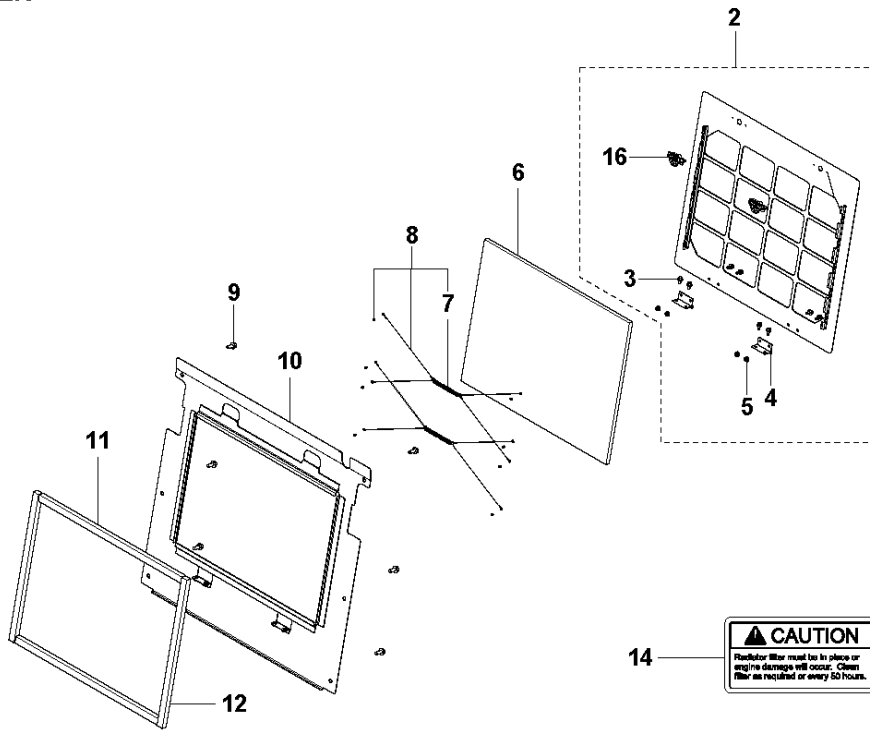


LIGHT KIT

FS7000 DMT, 2017-02

Ref	Part No	Description	Remark	QTY	KIT
1	582 77 67-01	LIGHT		2	14
2	542 09 05-52	PLATE		1	14
3	539 30 01-13	RUBBER SHOE	Grey	1	14
4	542 16 69-06	TIE WRAP		12	14
5	542 19 96-48	SWITCH		1	14
6	725 24 55-71	SCREW EHHM		1	14
7	587 35 73-01	BRACKET		1	14
8	504 56 93-01	TURNING KNOB		1	14
9	587 36 60-01	LIGHT		1	14
10	585 92 36-01	SUPPORT		1	14
11	585 97 52-01	SCREW EHHFM		2	14
12	731 71 20-51	HEXAGON NUT FLANGE		2	14
13	589 37 82-01	WIRING ASSY		1	14
14	589 65 05-01	LIGHT		1	
15	542 16 68-56	FUSE		1	14
16	581 07 45-01	RELAY		1	14
17	542 19 96-49	SWITCH		1	14

H FS7000 DMT COVER

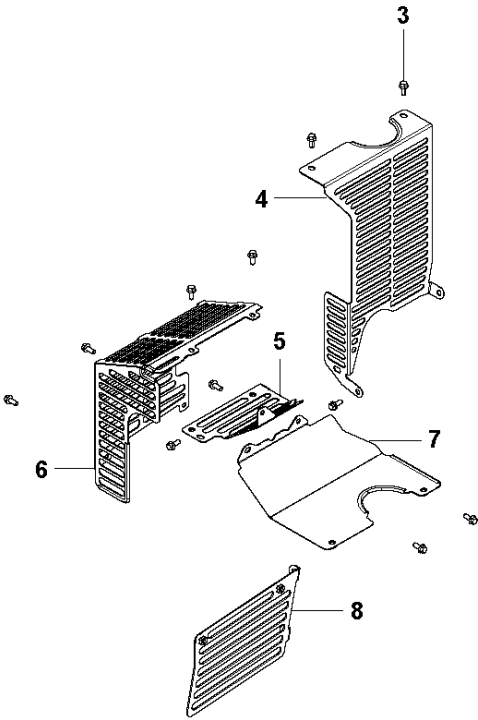
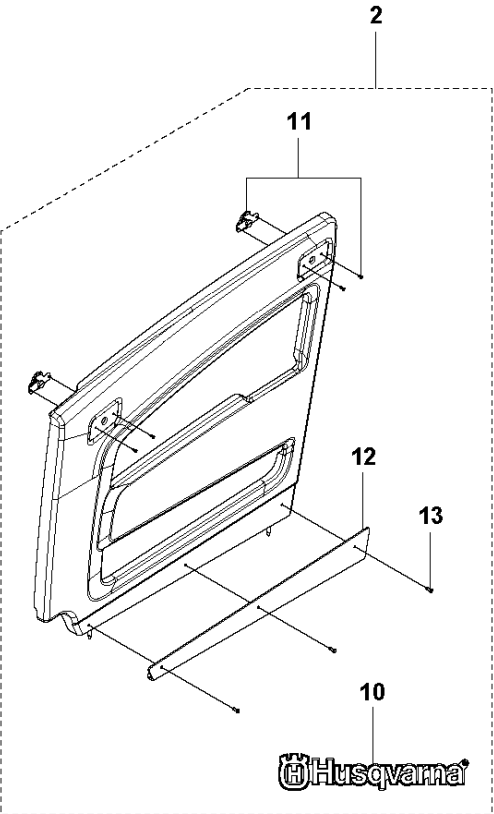
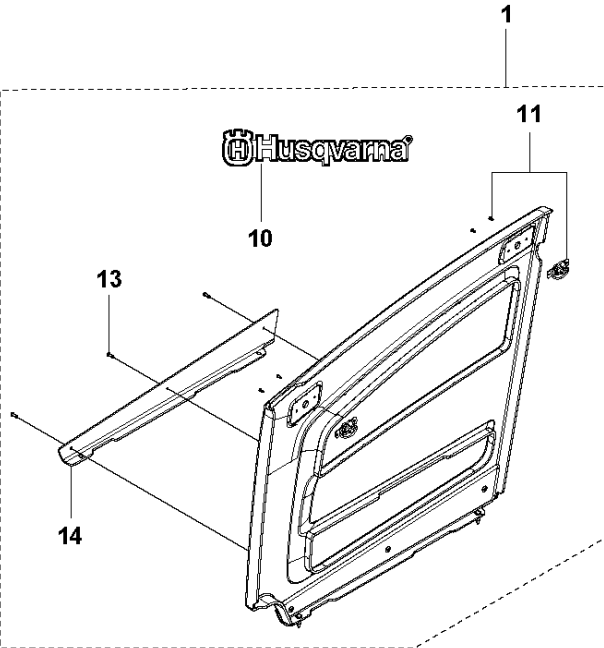


COVER

FS7000 DMT, 2017-02

Ref	Part No	Description	Remark	QTY	KIT
1	586 61 66-01	COVER		1	
2	586 61 72-01	PLATE		1	
3	585 97 33-01	SCREW EHHFM		8	2
4	581 16 67-01	HINGE		2	2
5	731 71 16-51	HEXAGON NUT FLANGE		4	2
6	583 89 32-01	FILTER		1	
7	542 04 03-30	SPRING		2	
8	586 61 52-01	RETAINER		2	
9	585 97 54-01	SCREW EHHFM		6	
10	580 83 98-01	PLATE		1	
11	581 17 53-03	INSULATOR		2	
12	581 17 53-02	INSULATOR		2	
13	585 94 93-01	DECAL		1	1
14	542 16 68-53	DECAL	US only	1	
15	586 61 48-01	LATCH		2	1
16	521 97 35-82	LATCH		2	2
17	587 20 10-01	DECAL	EU	1	1
17	587 20 11-01	DECAL	US	1	1

FS7000 DMT
COVER

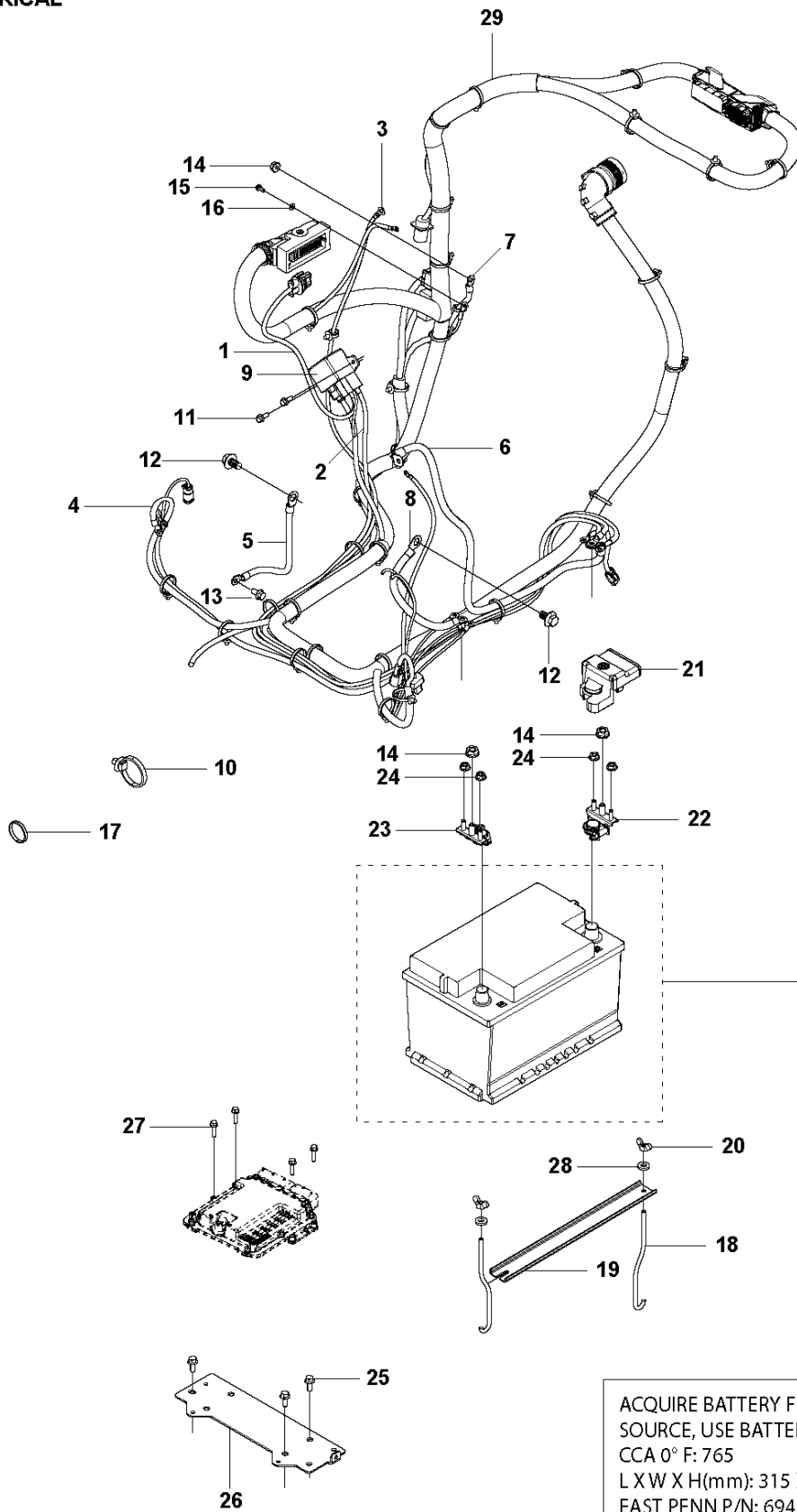


COVER

FS7000 DMT, 2017-02

Ref	Part No	Description	Remark	QTY KIT	
1	586 61 49-01	COVER	Right side	1	
2	586 61 50-01	COVER	Left side	1	
3	585 97 56-01	SCREW EHHFM		17	
4	586 06 82-01	PROTECTION		1	
5	585 07 59-01	PROTECTION		1	
6	586 06 83-01	PROTECTION		1	
7	586 06 84-01	BRACKET		1	
8	585 07 65-01	PROTECTION		1	
10	585 29 48-01	DECAL		2	1, 2
11	586 61 48-01	LATCH		4	1, 2
12	580 82 92-01	COVER		1	2
13	585 17 22-01	RIVET		6	1,2
14	580 82 95-01	COVER		1	1

J FS7000 DMT
ELECTRICAL

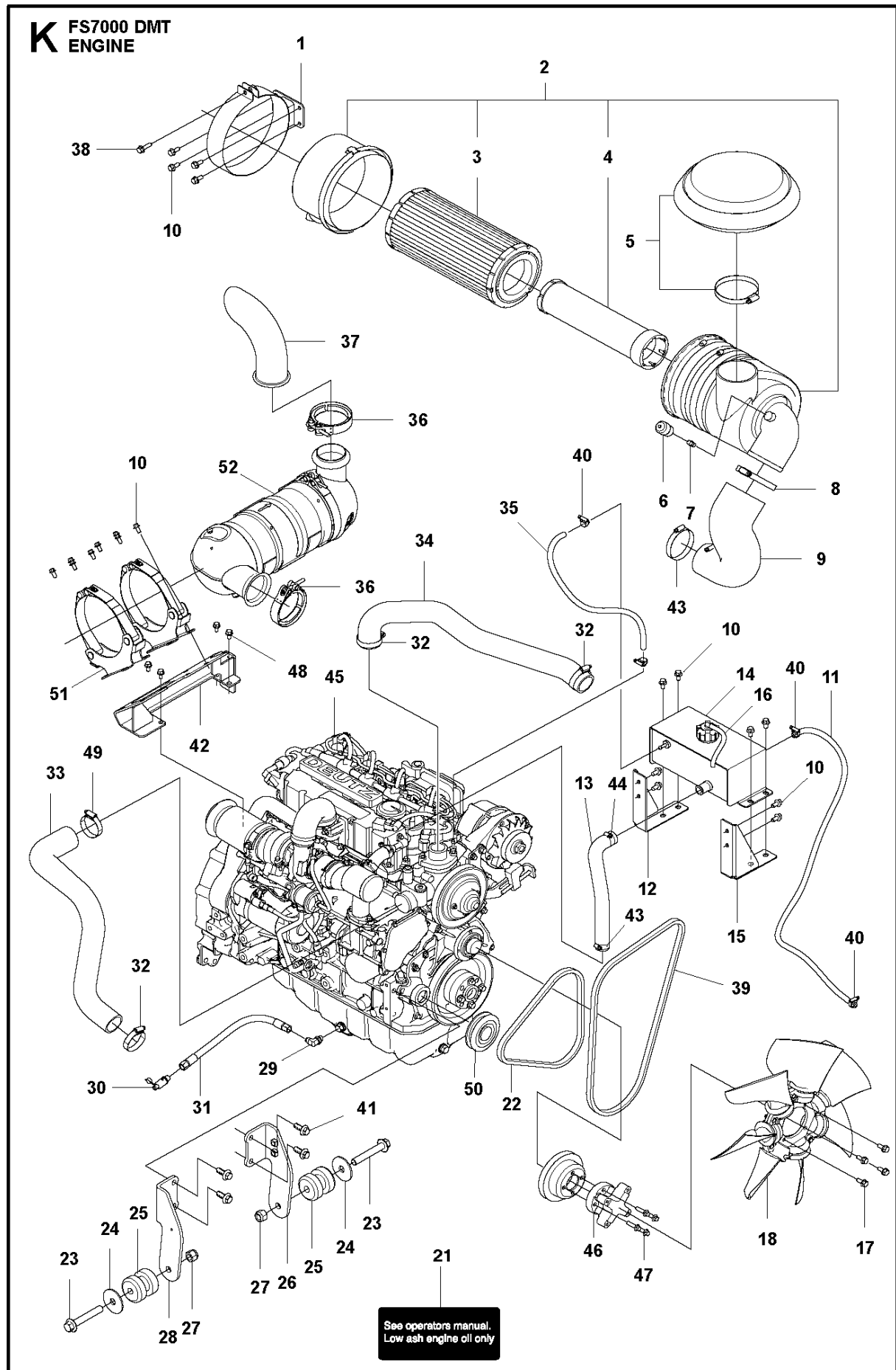


ACQUIRE BATTERY FROM LOCAL
SOURCE, USE BATTERY TYPE
CCA 0° F: 765
L X W X H(mm): 315 X 175 X 190
EAST PENN P/N: 694RMF
BCI#: 94R
BATTERY, 12V - 765 CCA

ELECTRICAL

FS7000 DMT, 2017-02

Ref	Part No	Description	Remark	QTY KIT
1	581 07 32-01	HARNESS ASSY		1
2	581 07 32-02	HARNESS ASSY		1
3	581 07 32-03	HARNESS ASSY		1
4	581 07 32-04	HARNESS ASSY		1
5	581 07 32-05	HARNESS ASSY		1
6	581 07 32-07	HARNESS ASSY		1
7	581 07 32-11	HARNESS ASSY		1
8	581 07 32-13	HARNESS ASSY		1
9	581 07 47-01	RELAY		1
10	583 95 95-01	CLAMP		33
11	585 98 06-01	SCREW EHHFM		2
12	576 65 48-02	SCREW EHHFM		2
13	585 97 56-01	SCREW EHHFM		1
14	731 71 18-51	HEXAGON NUT FLANGE		3
15	531 11 92-08	SCREW		1
16	734 11 46-01	WASHER		1
17	542 16 69-06	TIE WRAP		3
18	584 65 09-01	BOLT		2
19	581 15 98-02	PLATE		1
20	577 24 49-01	WING NUT		2
21	581 33 65-01	ELECTRICAL SYSTEM		1
22	581 33 63-01	ELECTRICAL SYSTEM		1
23	581 33 64-01	ELECTRICAL SYSTEM		1
24	731 71 16-51	HEXAGON NUT FLANGE		4
25	585 97 54-01	SCREW EHHFM		3
26	584 14 95-01	BRACKET		1
27	585 98 03-01	SCREW EHHFM		4
28	734 11 54-41	WASHER		2
29	590 42 21-01	WIRING ASSY		1

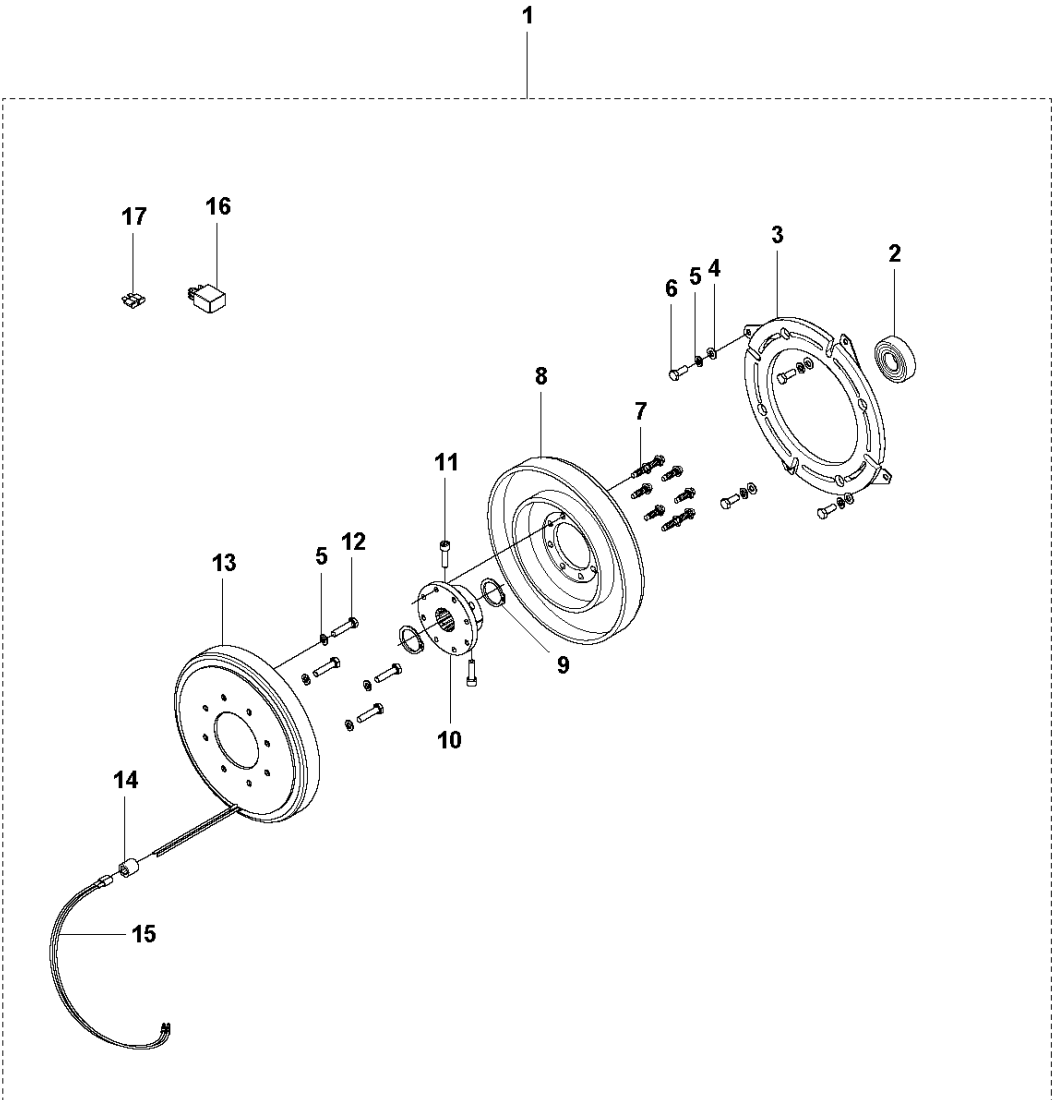


ENGINE

FS7000 DMT, 2017-02

Ref	Part No	Description	Remark	QTY	KIT
1	580 95 70-01	BRACKET		1	
2	581 05 89-01	AIR CLEANER		1	
3	542 19 11-15	FILTER		1	2
4	542 19 11-16	FILTER		1	2
5	542 19 95-66	HOOD		1	2
6	541 20 09-89	GAUGE		1	
7	542 16 68-80	ADAPTER		1	
8	576 31 52-08	HOSE CLAMP		1	
9	587 41 07-01	HOSE		1	
10	585 97 56-01	SCREW EHHFM		20	
11	585 03 71-01	TUBE		1	
12	585 02 32-01	BRACKET		1	
13	585 03 63-01	HOSE		1	
14	584 99 82-01	EXPANSION TANK		1	
15	585 02 34-01	BRACKET		1	
16	585 06 66-01	HOSE		1	
17	585 97 54-01	SCREW EHHFM		4	
18	584 82 46-01	FAN		1	
21	586 17 51-01	DECAL		1	
22	586 07 11-01	BELT		1	
23	581 24 94-02	SCREW EHHFM		2	
24	542 20 63-56	WASHER		2	
25	587 15 01-01	ANTIVIBRATION ELEMENT		2	
26	581 85 37-01	BRACKET		1	
27	576 87 89-28	NUT		2	
28	581 07 98-01	BRACKET		1	
29	581 72 73-01	ADAPTER		1	
30	542 16 69-07	VALVE		1	
31	584 97 09-01	HOSE ASSY		1	
32	576 31 52-03	HOSE CLAMP		3	
33	580 91 03-01	HOSE		1	
34	580 91 02-01	HOSE		1	
35	585 03 70-01	TUBE		1	
36	586 36 88-01	CLAMP		2	
37	581 27 49-01	EXHAUST PIPE		1	
38	585 97 28-01	SCREW EHHFM		1	
39	586 07 11-02	BELT		1	
40	542 02 00-49	HOSE CLAMP		5	
41	576 65 48-03	SCREW EHHFM		4	
42	580 95 74-01	BRACKET		1	
43	576 31 52-07	HOSE CLAMP		1	
44	576 31 52-05	HOSE CLAMP		2	
45	590 49 02-01	ENGINE		1	
45	595 94 28-01	ENGINE	CE from serial number 1381613001	1	
46	586 62 67-01	SPACER		1	
47	586 62 68-01	SCREW		4	
48	585 97 31-01	SCREW EHHFM		4	
49	539 30 00-73	HOSE CLAMP		1	
50	593 32 45-01	PULLEY		1	
51	596 01 05-01	EXHAUST	from serial no 1373009001	2	
51	586 62 66-01	CLAMP	before serial no 1373009001	2	
52	596 01 00-01	EXHAUST		1	

L FS7000 DMT
CLUTCH

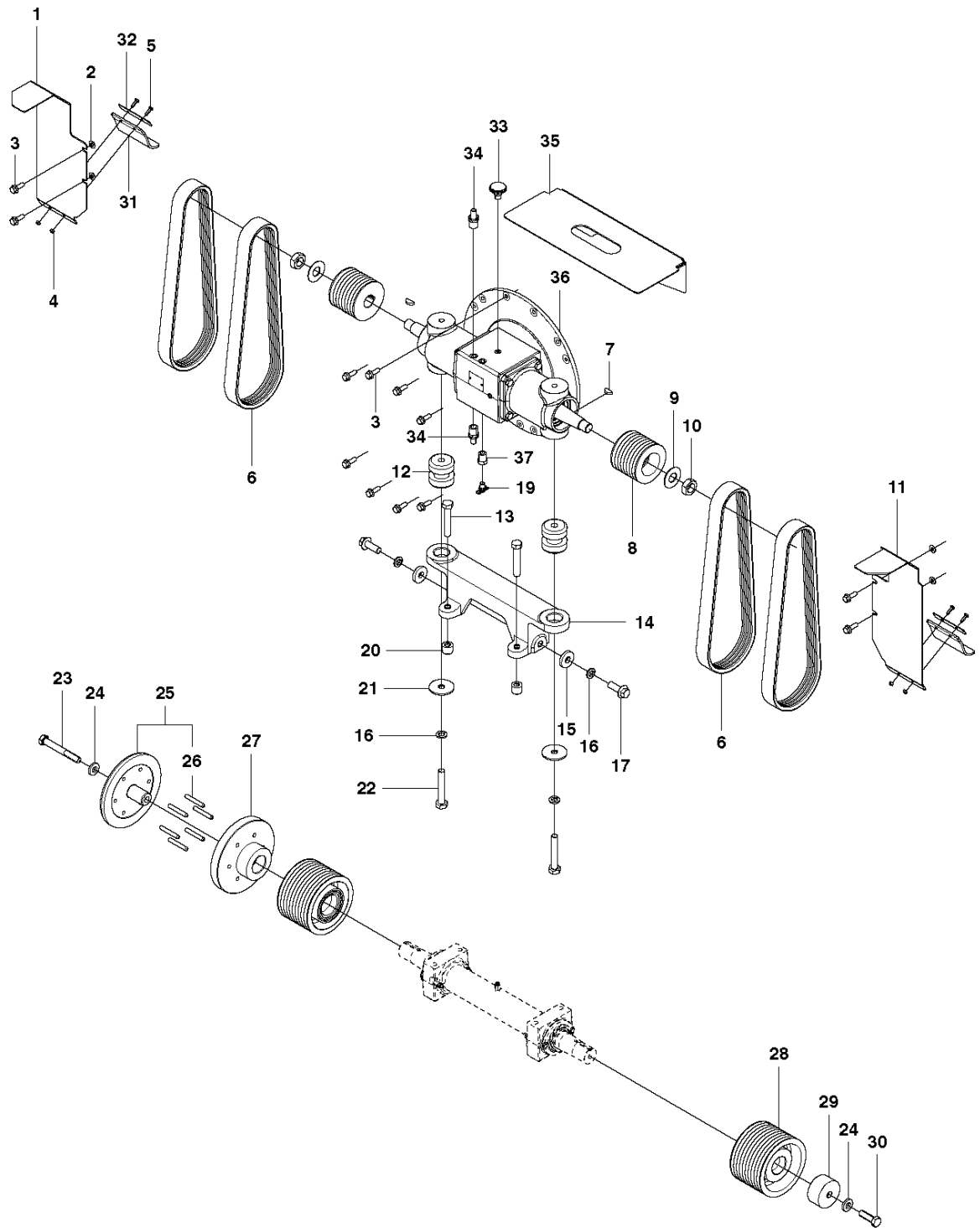


CLUTCH

FS7000 DMT, 2017-02

Ref	Part No	Description	Remark	QTY	KIT
1	590 56 74-01	CLUTCH		1	
2	542 16 63-51	BEARING		1	1
3	542 19 98-34	ARMATURE		1	1
4	734 11 63-01	WASHER		4	1
5	735 11 64-01	SPRING WASHER		8	1
6	725 24 51-76	SCREW EHHM		4	1
7	542 19 90-53	SCREW		8	1
8	542 16 66-85	ROTOR		1	1
9	542 19 89-53	RING		2	1
10	542 19 93-87	HUB		1	1
11	725 54 55-55	SCREW IHSCM		2	1
12	725 24 57-76	SCREW EHHM		4	1
13	542 19 93-96	COIL		1	1
14	542 19 94-80	BUSHING		1	1
15	589 77 09-01	WIRING ASSY		1	1
16	581 07 45-01	RELAY		1	1
17	531 30 24-19	FUSE		1	1

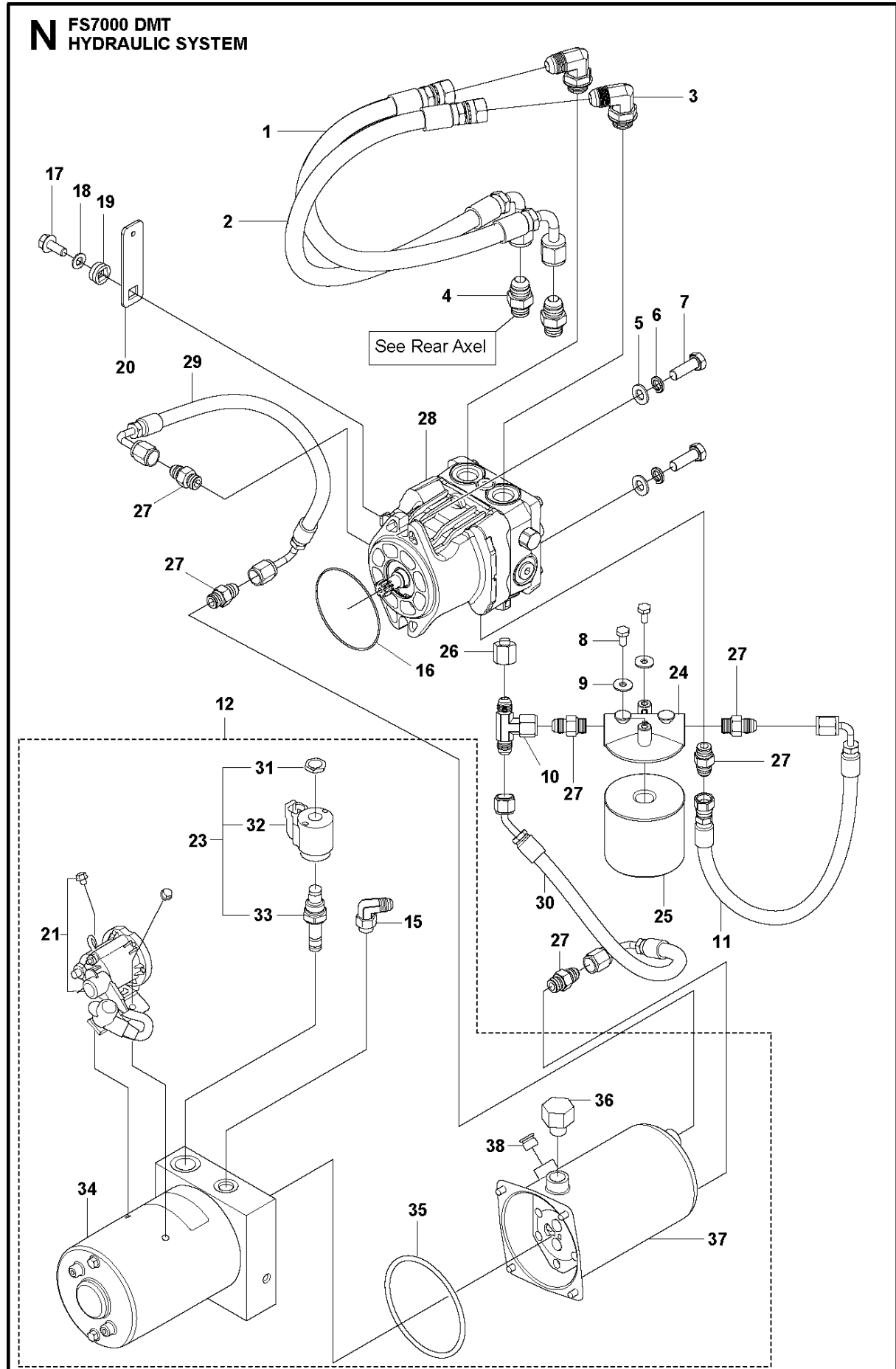
M FS7000 DMT
BELT



BELT

FS7000 DMT, 2017-02

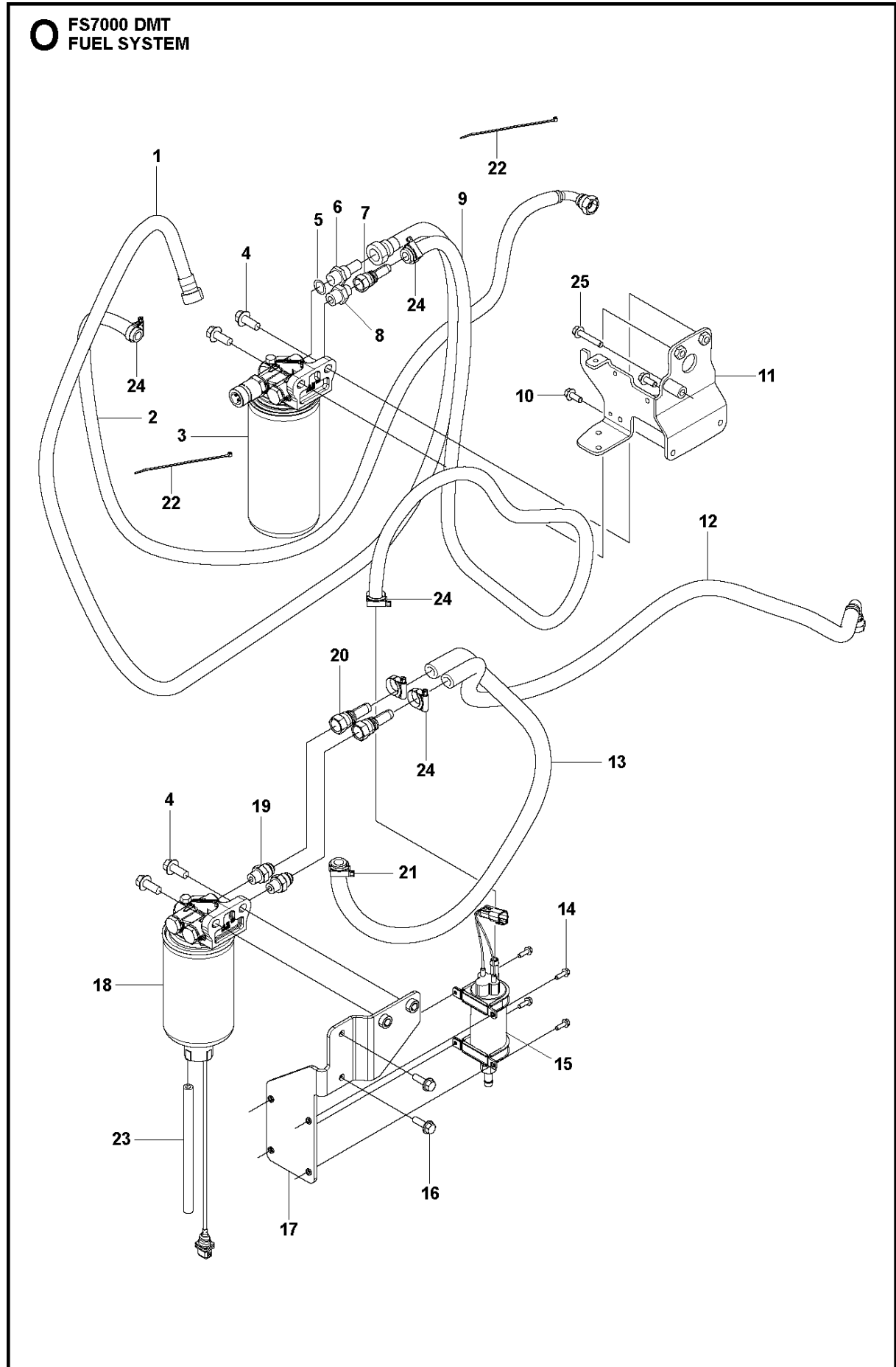
Ref	Part No	Description	Remark	QTY KIT
1	581 02 08-01	BELT GUARD		1
2	734 11 72-01	WASHER		4
3	585 98 04-01	SCREW EHHFM		12
4	732 25 16-01	HEXAGON LOCKING NUT		4
5	586 12 02-01	SCREW EHHFM		4
6	542 19 97-64	V-BELT		4
7	542 16 46-32	KEY		2
8	542 19 95-30	PULLEY		2
9	542 16 64-80	WASHER		2
10	541 20 48-33	NUT		2
11	581 02 09-01	BELT GUARD		1
12	587 15 01-01	ANTIVIBRATION ELEMENT		2
13	542 16 63-68	SCREW		2
14	542 16 64-42	BRACKET		1
15	542 16 03-93	WASHER		2
16	539 99 03-33	WASHER		4
17	542 16 74-47	SCREW		2
19	542 16 07-04	TAP		1
20	539 30 04-40	BOLT		2
21	542 20 63-56	WASHER		2
22	542 16 63-56	SCREW		2
23	586 25 60-01	SCREW		1
24	522 96 59-42	WASHER		2
25	590 49 33-01	FLANGE		1
26	589 76 20-01	PIN		6
27	501 74 75-01	FLANGE		1
28	505 41 74-14	PULLEY		2
29	501 85 54-01	FLANGE		1
30	582 37 11-01	SCREW		1
31	581 52 16-01	SPLASH GUARD		2
32	581 52 18-01	PLATE		2
33	542 20 66-60	BREATHER		1
34	541 20 48-70	FITTING		2
35	586 02 13-01	PROTECTION		1
36	588 58 87-01	GEARBOX		1
37	542 13 96-49	ADAPTER		1



HYDRAULIC SYSTEM

FS7000 DMT, 2017-02

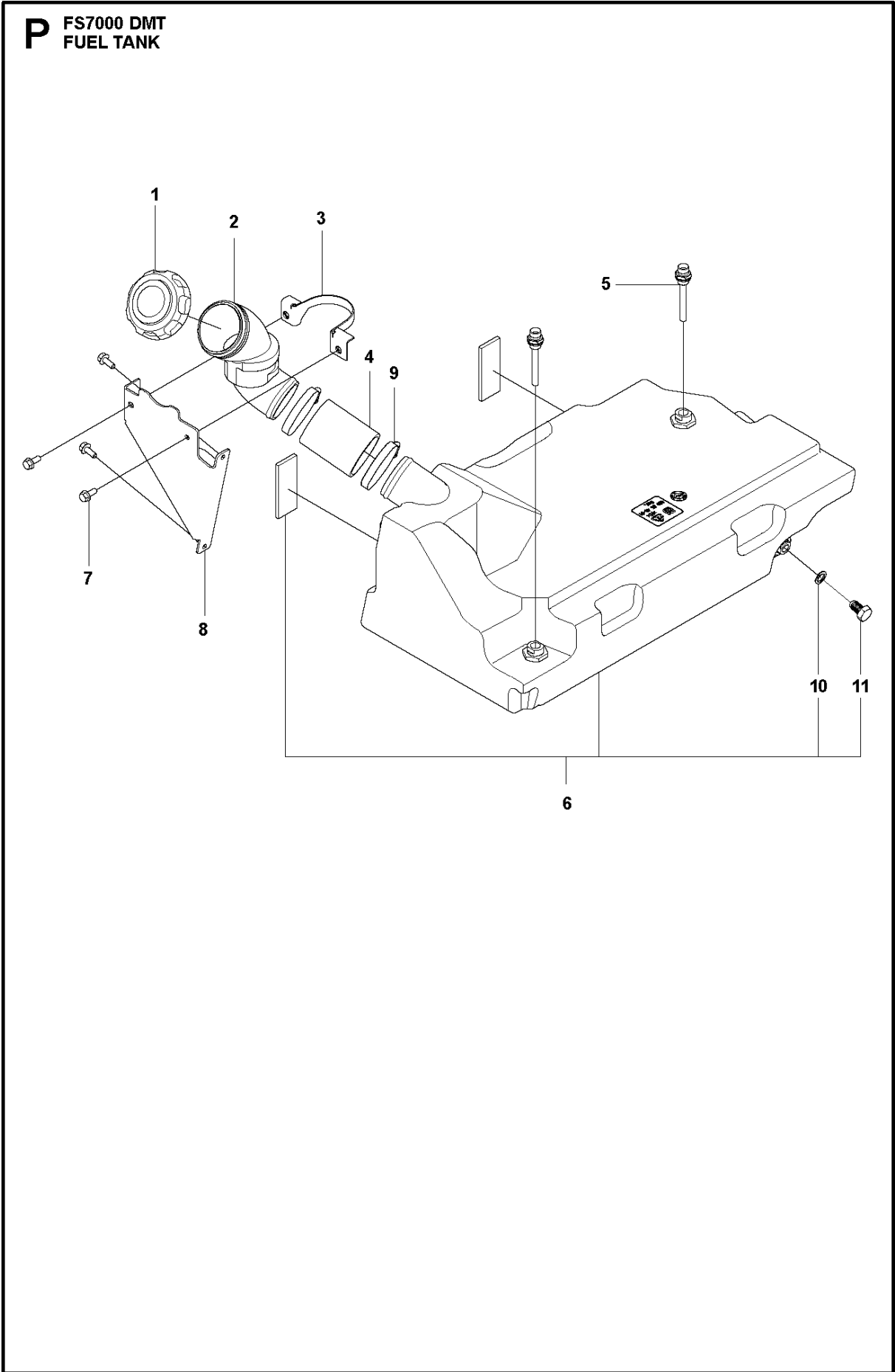
Ref	Part No	Description	Remark	QTY KIT	
1	584 26 74-01	HYDRAULIC HOSE	Including protection PWP-20	1	
2	584 26 71-01	HYDRAULIC HOSE	Including protection PWP-20	1	
3	583 96 59-01	ADAPTER		2	
4	583 96 82-01	ADAPTER		2	
5	734 11 72-01	WASHER		2	
6	735 11 73-01	SPRING WASHER		2	
7	725 24 95-76	SCREW EHHM		2	
8	542 02 03-01	SCREW		2	
9	734 11 54-41	WASHER		2	
10	583 96 62-02	ADAPTER		1	
11	584 27 07-01	HYDRAULIC HOSE		1	
12	588 69 06-01	HYDRAULIC PUMP		1	
13	585 97 31-01	SCREW EHHFM		3	
14	585 97 56-01	SCREW EHHFM		2	
15	583 94 72-01	ADAPTER		1	12
16	542 19 89-49	O-RING		1	
17	585 97 54-01	SCREW EHHFM		1	
18	734 11 63-01	WASHER		1	
19	505 28 95-10	PUMP		1	
20	580 96 06-01	PLATE		1	
21	582 22 65-01	VALVE		1	12
22	580 95 84-01	BRACKET		1	
23	522 84 91-10	COIL		1	12
24	542 16 64-48	FILTER		1	
25	542 16 64-49	FILTER		1	
26	581 20 60-01	PLUG		1	
27	581 20 53-01	ADAPTER		6	
28	581 05 32-01	HYDRAULIC PUMP		1	
29	584 26 81-01	HYDRAULIC HOSE		1	
30	594 97 49-01	HYDRAULIC HOSE	Including protection PWP-20	1	
31	541 20 47-34	FITTING		1	12
32	522 84 91-10	COIL		1	12
33	582 22 65-01	VALVE		1	12
	596 21 27-01	PROTECTION		1	
34	599 58 99-01	MOTOR		1	12
35	599 57 17-01	SEALING RING		1	12
36	522 84 91-19	CAP		1	12
37	599 57 12-01	RESERVOIR		1	12
38	599 59 04-01	PLUG		1	12



FUEL SYSTEM

FS7000 DMT, 2017-02

Ref	Part No	Description	Remark	QTY KIT
1	581 22 61-01	HOSE ASSY		1
2	584 15 67-01	HOSE ASSY	Including protection PWP-20	1
3	581 77 71-01	FUEL FILTER		1
4	585 97 31-01	SCREW EHHFM		4
5	587 94 59-01	WASHER		1
6	587 93 65-01	FITTING		1
7	585 18 94-01	FITTING		1
8	585 18 90-01	ADAPTER		1
9	585 05 60-01	FUEL HOSE		1
10	585 97 54-01	SCREW EHHFM		2
11	531 32 70-01	BRACKET		1
12	581 22 61-01	HOSE ASSY		1
13	585 05 30-01	FUEL HOSE	Including protection PWP-20	1
14	585 98 05-01	SCREW EHHFM		4
15	590 54 65-01	FUEL PUMP		1
16	506 57 01-05	SCREW EHHFM		2
17	584 22 64-01	BRACKET		1
18	581 77 69-01	WATER SEPARATOR		1
19	585 18 92-01	ADAPTER		2
20	585 18 95-01	FITTING		2
21	539 30 00-11	HOSE CLAMP		3
22	542 16 62-14	TIE WRAP		2
23	585 06 66-01	HOSE		1
24	542 02 00-49	HOSE CLAMP		3
	596 21 27-01	PROTECTION		1
25	585 17 39-01	SCREW EHHFM		1

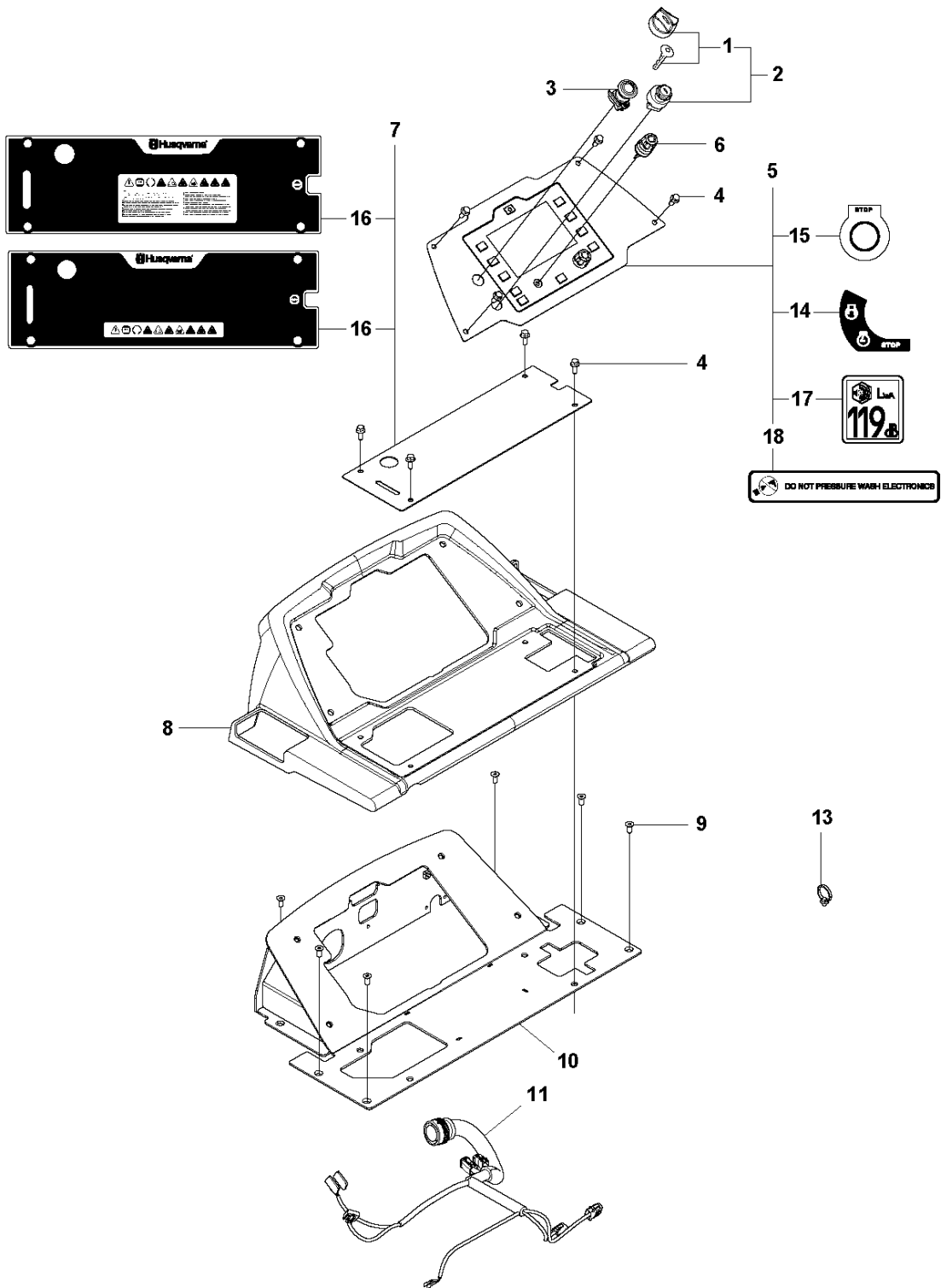


FUEL TANK

FS7000 DMT, 2017-02

Ref	Part No	Description	Remark	QTY	KIT
1	597 72 22-01	TANK CAP		1	
2	587 85 61-01	PIPE		1	
3	583 91 40-01	BRACKET		1	
4	581 05 36-01	HOSE		1	
5	581 12 91-01	ADAPTER		2	
6	586 07 14-01	FUEL TANK ASSY	Incl. Insulator	1	
7	585 97 54-01	SCREW EHHFM		4	
8	583 96 68-01	BRACKET		1	
9	576 31 52-07	HOSE CLAMP		2	
10	740 38 29-01	SEALING WASHER		1	6
11	585 59 54-01	PLUG		1	6

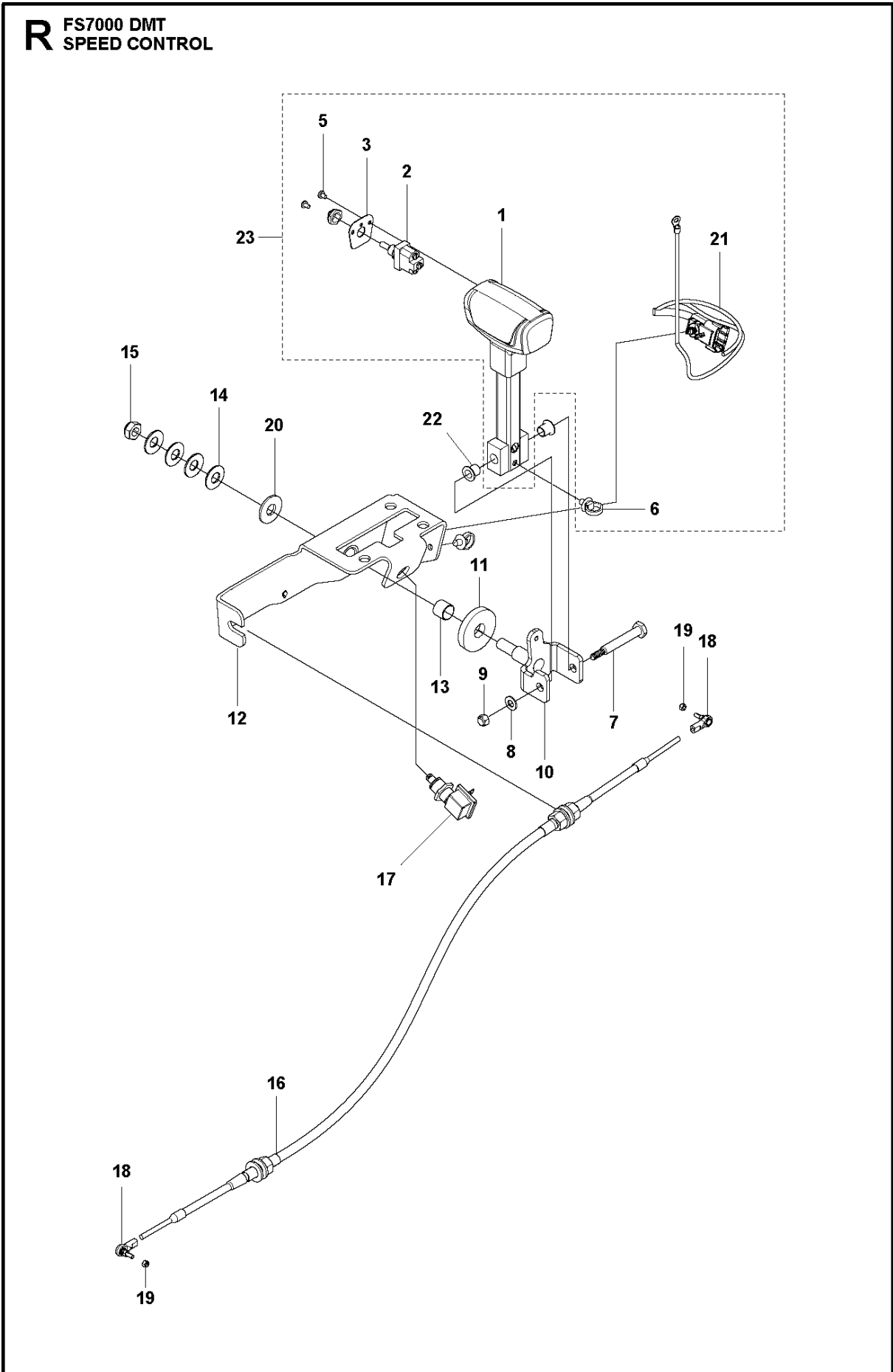
Q FS7000 DMT
CONTROL PANEL



CONTROL PANEL

FS7000 DMT, 2017-02

Ref	Part No	Description	Remark	QTY	KIT
1	587 68 10-01	IGNITION SWITCH		1	
2	587 68 10-01	IGNITION SWITCH	1+2 together	1	
3	586 63 78-01	STOP SWITCH		1	
4	542 19 90-53	SCREW		8	
5	589 39 20-01	CONTROL PANEL	Incl. Decals	1	
6	587 70 42-01	KNOB		2	
7	586 83 13-01	PANEL	Incl. Decals, US only	1	
7	586 83 15-01	PANEL	Incl. Decals, EU only	1	
8	580 89 13-01	COVER		1	
9	725 64 51-51	SCREW IHCSFM		6	
10	580 86 70-01	BRACKET		1	
11	586 63 98-01	HARNESS ASSY		1	
13	583 95 95-01	CLAMP		6	
14	585 37 16-01	DECAL		1	5
15	585 40 71-01	DECAL		1	5
16	585 24 90-01	DECAL	US	1	7
16	585 24 88-01	DECAL	EU	1	7
17	542 19 60-29	DECAL		1	5
18	581 79 01-01	DECAL		1	5

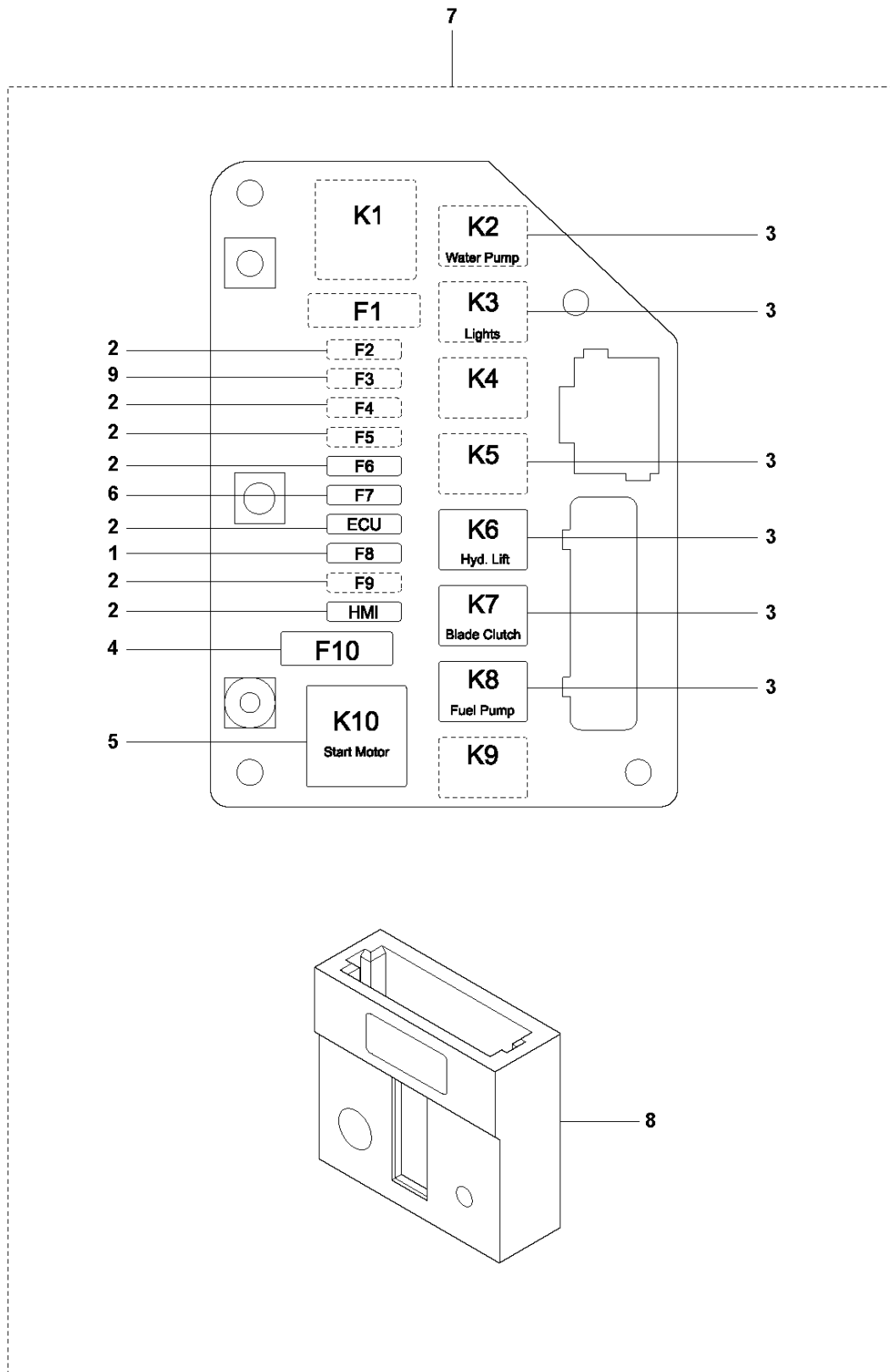


SPEED CONTROL

FS7000 DMT, 2017-02

Ref	Part No	Description	Remark	QTY	KIT
1	586 94 62-01	HANDLE		1	23
2	582 41 60-01	SWITCH		1	23
3	581 11 85-01	PLATE		1	23
5	724 12 85-51	SCREW		2	23
6	583 95 95-01	CLAMP		2	23
7	586 86 68-01	SCREW EHHI		1	
8	734 11 63-01	WASHER		1	
9	539 97 69-78	NUT		1	
10	579 74 50-01	ARM		1	
11	579 42 56-01	WASHER		1	
12	581 11 82-01	BRACKET		1	
13	581 06 89-01	BEARING BUSH		1	
14	542 18 31-24	KEY		4	
15	732 25 22-01	HEXAGON LOCKING NUT		1	
16	579 51 01-03	CABLE		1	
17	542 17 63-98	SWITCH		1	
18	542 16 64-66	ROD		2	
19	541 20 52-53	NUT		2	
20	542 02 07-45	WASHER		1	
21	581 07 36-01	HARNESS ASSY		1	23
22	542 18 30-01	BUSHING		2	
23	590 51 67-01	HANDLE			

S FS7000 DMT
FUSE AND RELAYS

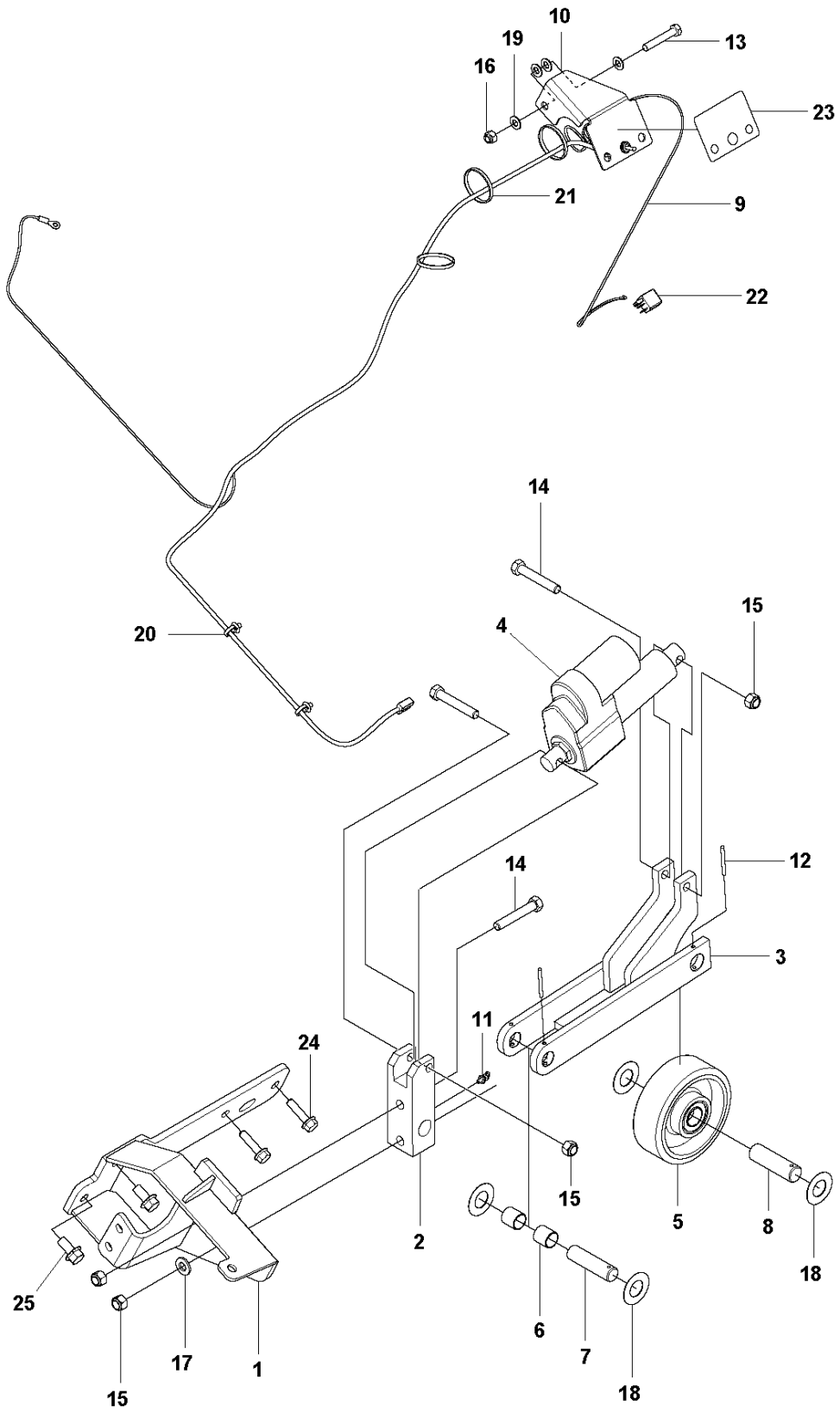


FUSE AND RELAYS

FS7000 DMT, 2017-02

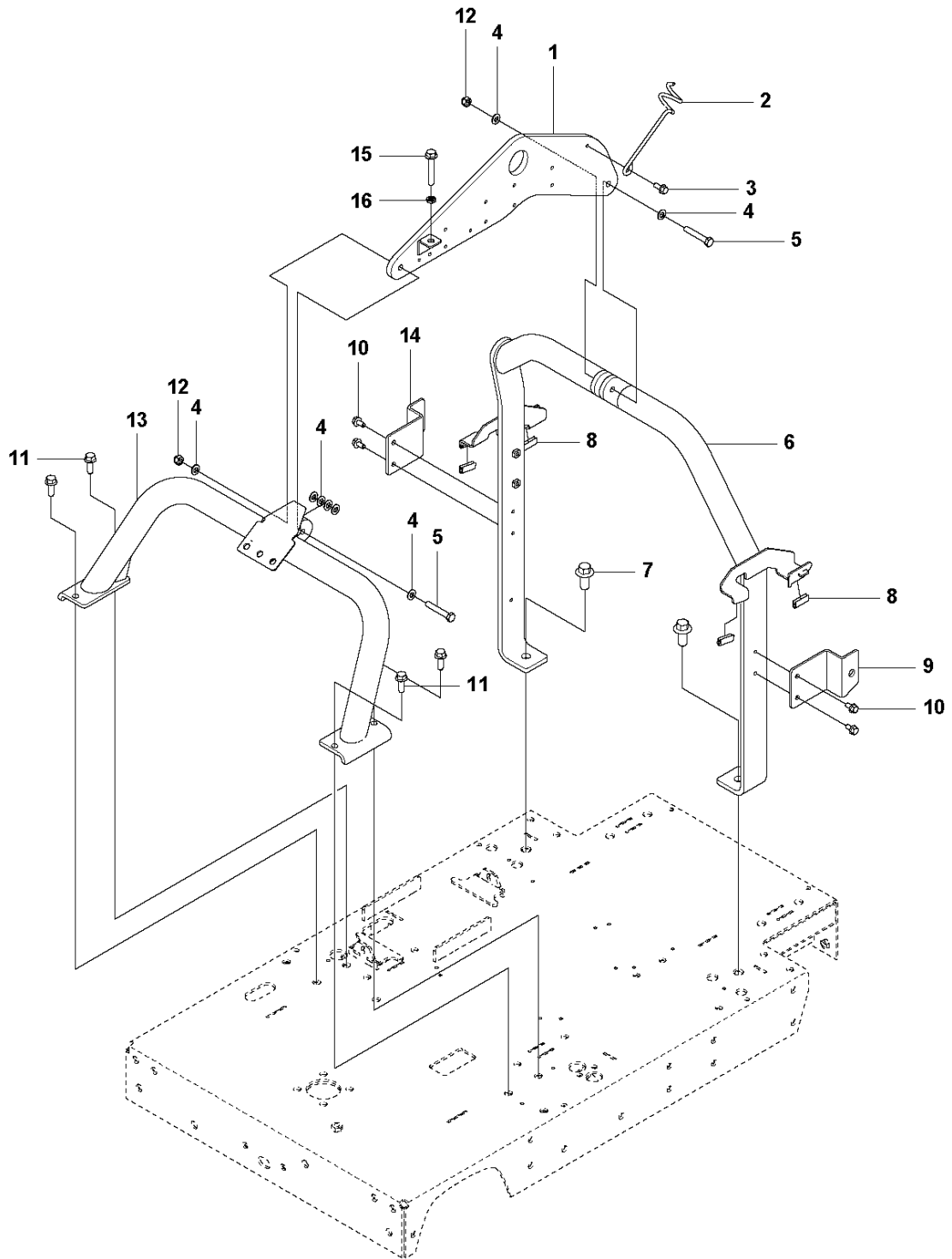
Ref	Part No	Description	Remark	QTY	KIT
1	531 30 24-20	FUSE	20 A Fuse	1	7
2	531 30 24-21	FUSE	25 A Fuse	7	7
3	581 07 45-01	RELAY	25 A Relay	6	
4	581 41 21-01	FUSE	60 A Fuse	1	
5	581 07 46-01	RELAY	70 A RELAY	1	
6	531 30 24-19	FUSE	15 A Fuse	1	7
7	581 33 36-01	ELECTRICAL SYSTEM		1	
8	501 69 62-01	FUSE HOLDER	Located at F2, F3, F6, ECU, F8, HMI	6	7
9	542 16 68-56	FUSE	7.5 A Fuse	1	7

V FS7000 DMT
5th WHEEL ASSEMBLY

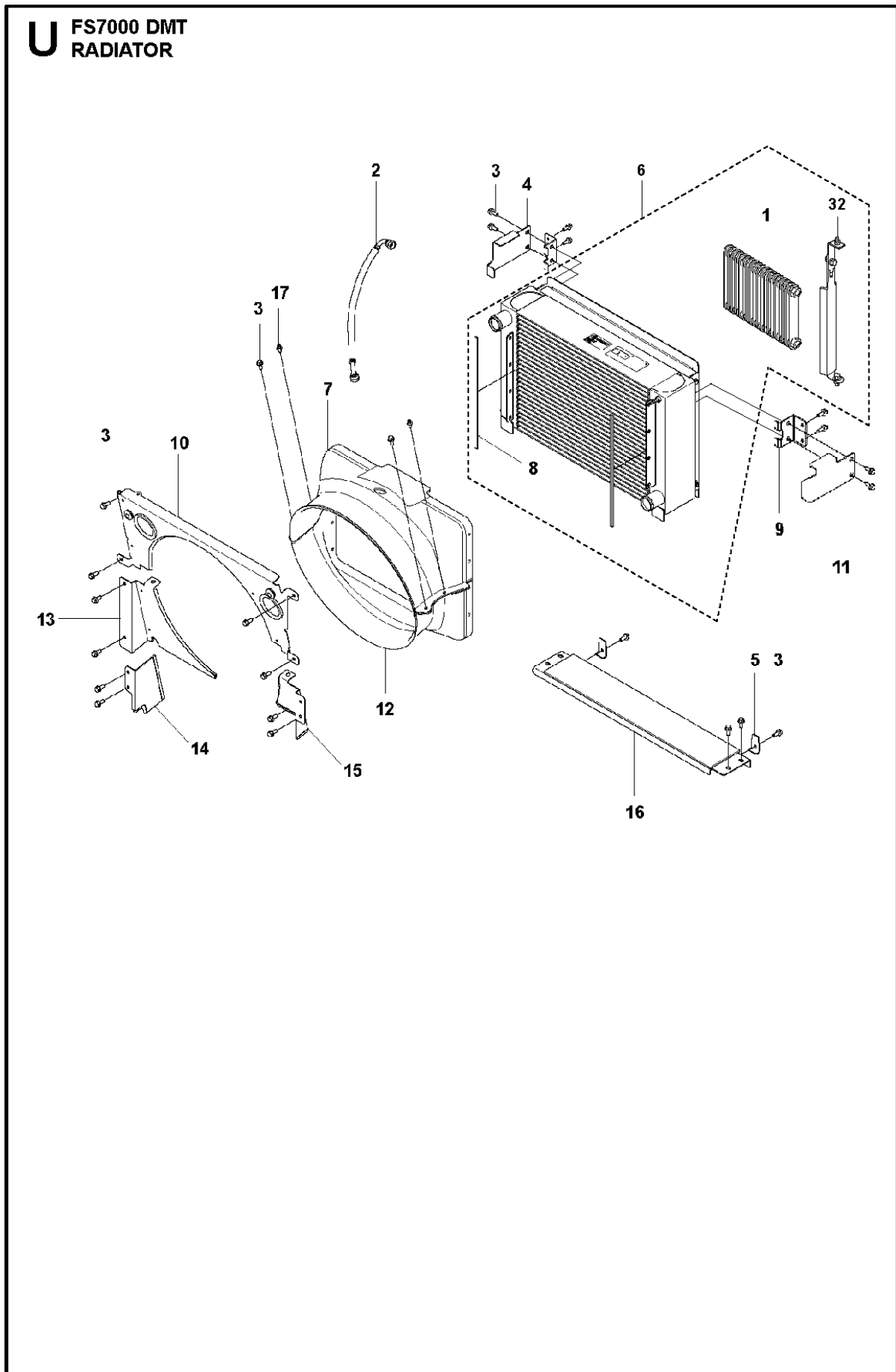


Ref	Part No	Description	Remark	QTY KIT
1	501 70 37-01	BRACKET		1
2	574 85 90-03	PIVOT		1
3	574 85 33-01	LIFTING ARM		1
4	502 28 76-02	CYLINDER		1
5	542 19 17-16	WHEEL		1
6	575 63 11-01	BEARING BUSH		2
7	574 85 33-04	LIFTING ARM		1
8	574 85 33-05	LIFTING ARM		1
9	501 15 16-01	WIRING HARNESS		1
10	581 98 93-01	BRACKET		1
11	542 16 42-97	GREASE		1
12	541 20 51-33	PEN		2
13	725 25 01-76	SCREW EHHM		1
14	542 02 14-04	SCREW		4
15	539 10 13-31	NUT		4
16	732 25 20-01	HEXAGON LOCKING NUT		1
17	539 99 02-50	WASHER		1
18	542 04 64-02	WASHER		4
19	734 11 72-01	WASHER		4
20	583 95 95-01	CLAMP		2
21	542 19 71-01	CABLE		4
22	581 07 45-01	RELAY		1
23	582 52 10-01	DECAL		1
24	585 97 53-01	SCREW EHHFM		2
25	585 23 59-01	SCREW EHHFM		2

Y FS7000 DMT
LIFTING SYSTEM



Ref	Part No	Description	Remark	QTY KIT
1	585 03 47-01	PLATE		1
2	505 18 91-01	BRACKET		1
3	585 97 54-01	SCREW EHHFM		1
4	734 11 72-01	WASHER		8
5	725 25 03-81	SCREW EHHM		2
6	580 82 30-01	BRACKET		1
7	587 25 90-01	SCREW EHHFM		2
8	586 17 58-01	PROTECTION		4
9	582 19 97-01	BRACKET		1
10	585 97 56-01	SCREW EHHFM		4
11	585 98 04-01	SCREW EHHFM		4
12	732 25 20-01	HEXAGON LOCKING NUT		2
13	583 88 59-01	BRACKET		1
14	582 19 99-01	BRACKET		1
15	581 24 33-01	SCREW EHHFM		1
16	731 43 20-01	HEXAGON THIN NUT		1

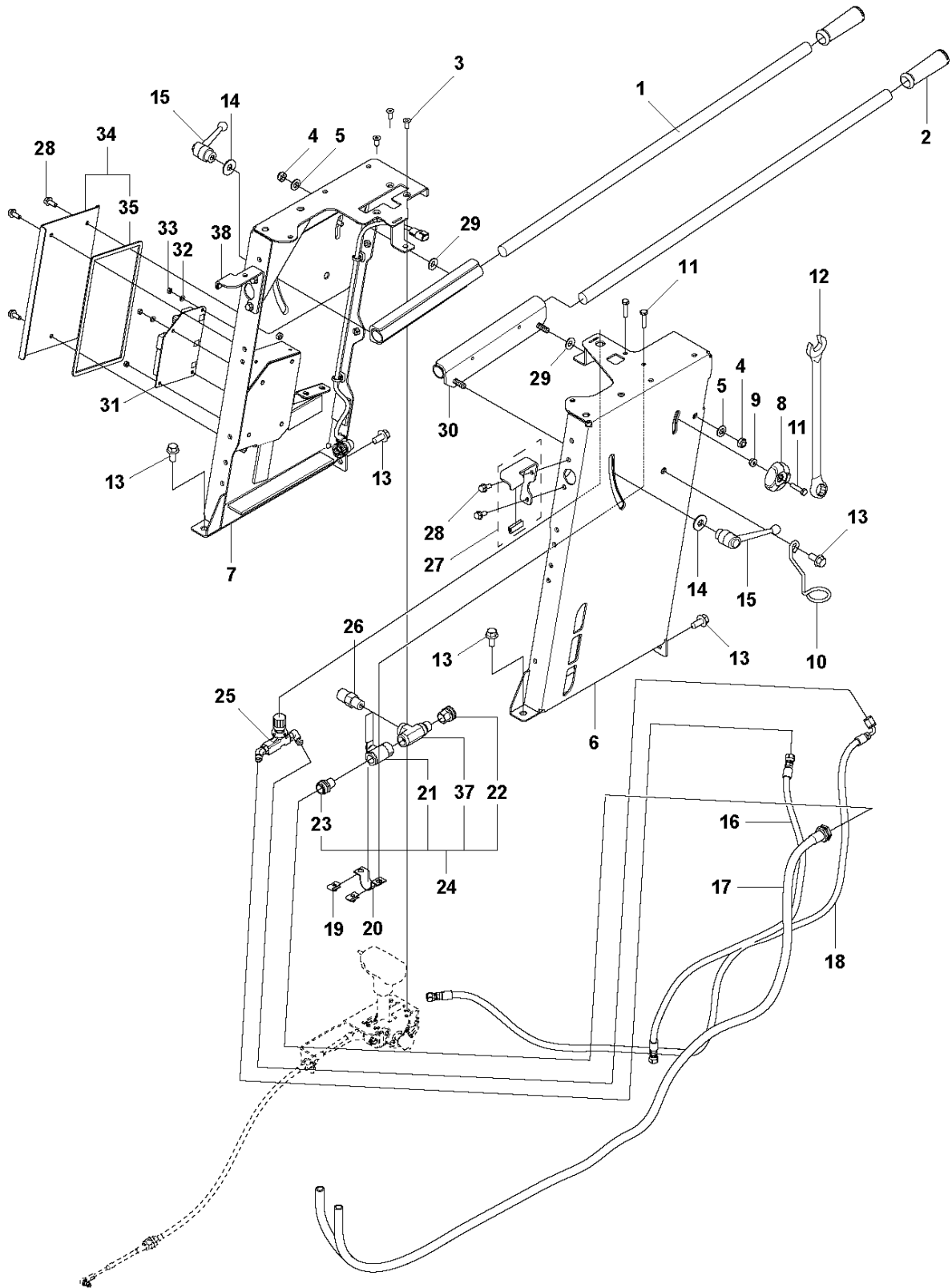


RADIATOR

FS7000 DMT, 2017-02

Ref	Part No	Description	Remark	QTY	KIT
1	582 18 81-01	COOLER	Incl. In radiator assy	1	
2	584 15 70-01	HOSE ASSY		1	
3	585 97 54-01	SCREW EHHFM		26	
4	586 65 77-01	PLATE	Right side	1	
5	581 12 88-01	BRACKET		2	
6	583 89 00-01	RADIATOR ASSY		1	
7	580 87 52-01	FAN COVER	Upper	1	
8	581 17 06-01	INSULATOR		2	
9	583 91 21-01	BRACKET		2	
10	586 07 05-01	BRACKET		1	
11	586 65 76-01	PLATE	Left side	1	
12	580 87 51-01	FAN COVER	Lower	1	
13	586 07 08-01	BRACKET		1	
14	586 07 09-01	BRACKET		1	
15	586 07 06-01	BRACKET		1	
16	586 34 89-01	BRACKET		1	
17	542 16 66-24	BOLT		10	
32	594 10 77-01	RADIATOR ASSY		1	1

T DMT 7000
PANEL SYSTEM

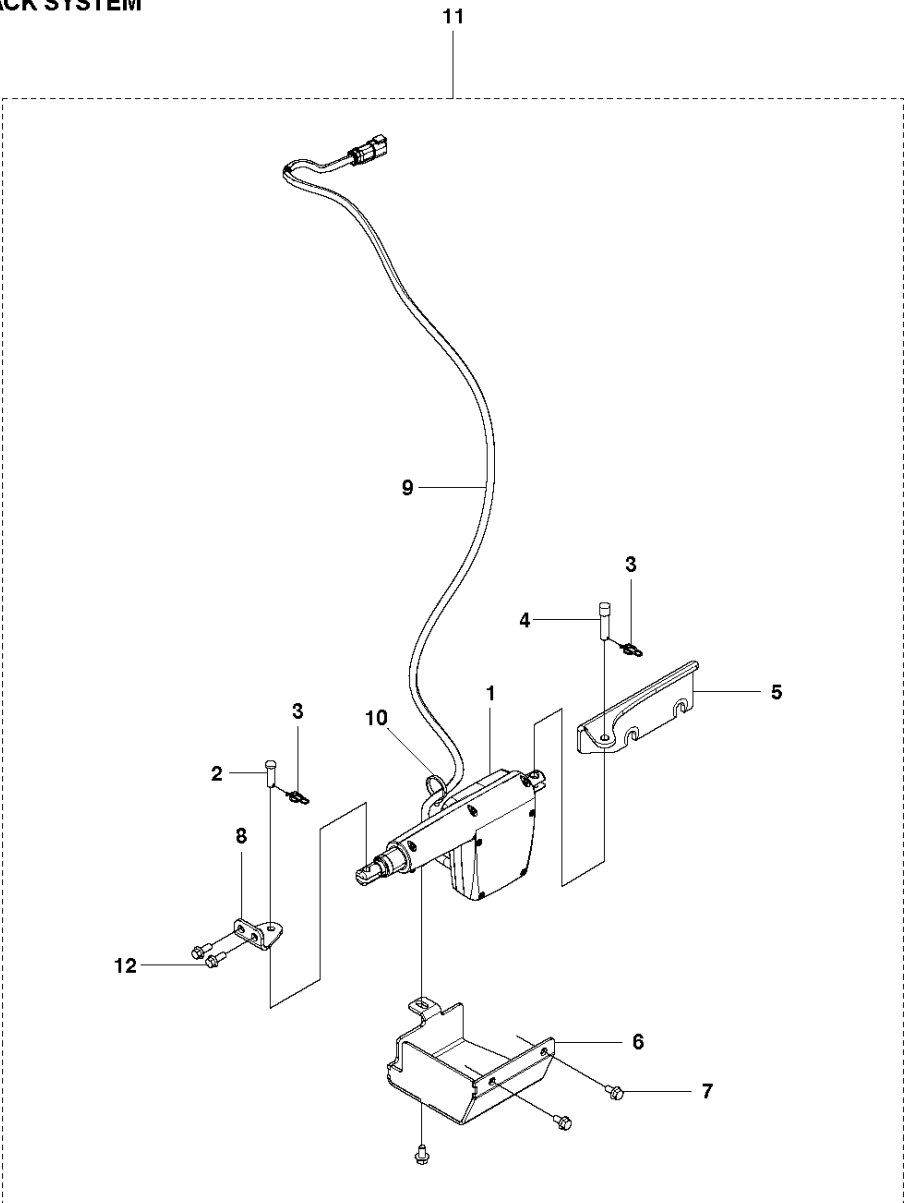


PANEL

FS7000 DMT, 2017-02

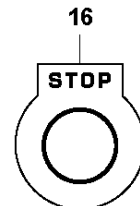
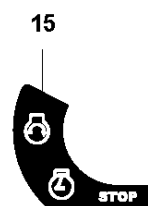
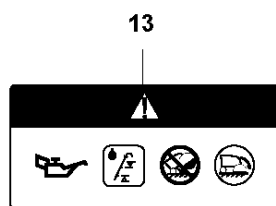
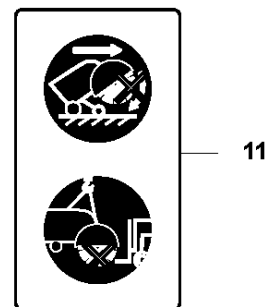
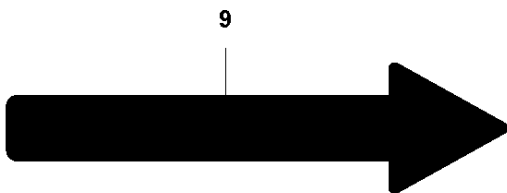
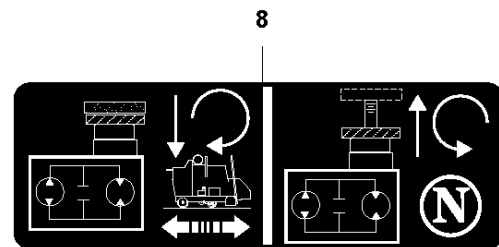
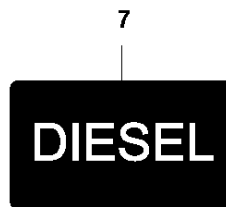
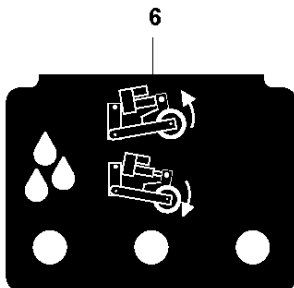
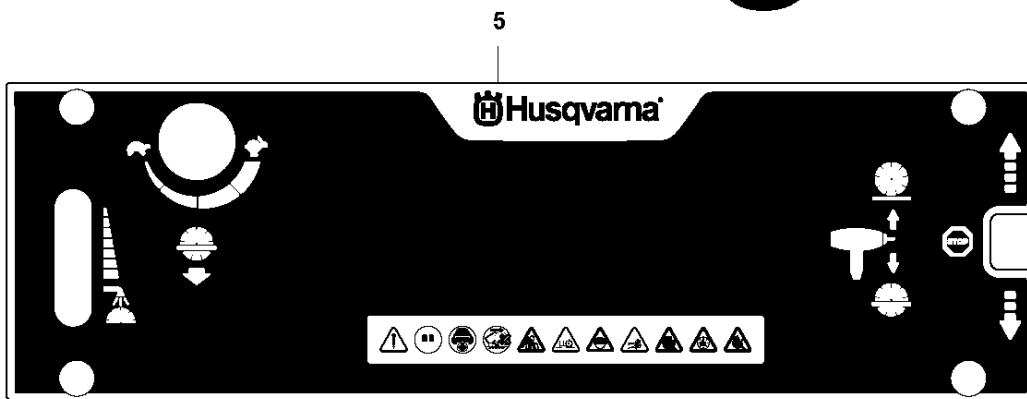
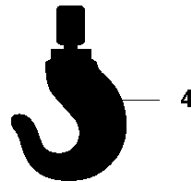
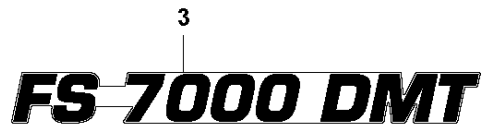
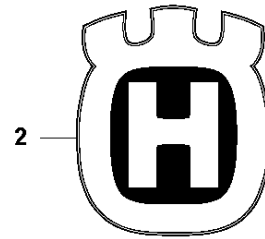
Ref	Part No	Description	Remark	QTY	KIT
1	539 30 03-40	HANDLEBAR		2	
2	542 13 95-68	GRIP		2	
3	725 64 51-51	SCREW IHCSFM		3	
4	732 25 22-01	HEXAGON LOCKING NUT		2	
5	734 11 78-01	WASHER		2	
6	590 57 61-01	COWL PANEL		1	
7	590 57 62-01	COWL PANEL		1	
8	504 56 93-01	TURNING KNOB		2	
9	731 71 18-51	HEXAGON NUT FLANGE		2	
10	578 10 73-01	HOLDER		1	
11	725 24 57-71	SCREW EHHM		4	
12	504 62 64-03	WRENCH		1	
13	585 23 59-01	SCREW EHHFM		5	
14	542 02 07-45	WASHER		2	
15	585 59 46-01	LEVER		2	
16	584 21 69-01	HYDRAULIC HOSE		1	
17	584 90 45-04	HOSE		1	
18	584 21 67-01	HYDRAULIC HOSE		1	
19	542 16 75-55	NUT		2	
20	581 19 22-01	BRACKET		1	
21	582 69 11-01	VALVE		1	24
22	539 30 02-69	FITTING		1	24
23	542 04 56-40	WASHER		1	24
24	586 02 24-01	CONNECTOR		1	
25	586 41 01-01	CONTROL VALVE		1	
26	542 17 87-24	SWITCH		1	
27	586 61 97-01	BRACKET		2	
28	585 97 54-01	SCREW EHHFM		7	
29	539 30 02-74	WASHER, FRICTION 1/2 X 1" OD		2	
30	586 92 77-01	HANDLE		2	
31	581 33 36-01	ELECTRICAL SYSTEM		1	
32	734 11 52-01	WASHER		4	
33	731 23 16-01	HEXAGON NUT		8	
34	590 19 92-01	HATCH		1	
35	579 83 39-01	SEAL		1	
37	542 19 91-26	FITTING		1	
38	586 61 94-01	BRACKET		1	

Z FS7000 DMT
E-TRACK SYSTEM



Ref	Part No	Description	Remark	QTY	KIT
1	598 69 83-01	ACTUATOR	From serial number 1385804001. Serial number before 1385804001; buy kit 586914502	1	11
2	542 19 92-41	BOLT		1	11
3	542 17 72-39	PIN		2	11
4	542 19 92-39	BOLT		1	11
5	586 15 57-01	BRACKET		1	11
6	586 16 75-01	LID		1	11
7	585 97 56-01	SCREW EHHFM		3	11
8	586 14 60-01	BRACKET		1	11
9	598 69 84-01	CABLE	From serial number 1385804001. Serial number before 1385804001; buy kit 586914502	1	11
10	583 95 95-01	CLAMP		1	11
11	586 91 45-01	E-TRACK SYSTEM		1	
12	585 97 54-01	SCREW EHHFM		2	

AA FS7000 DMT
DECALS

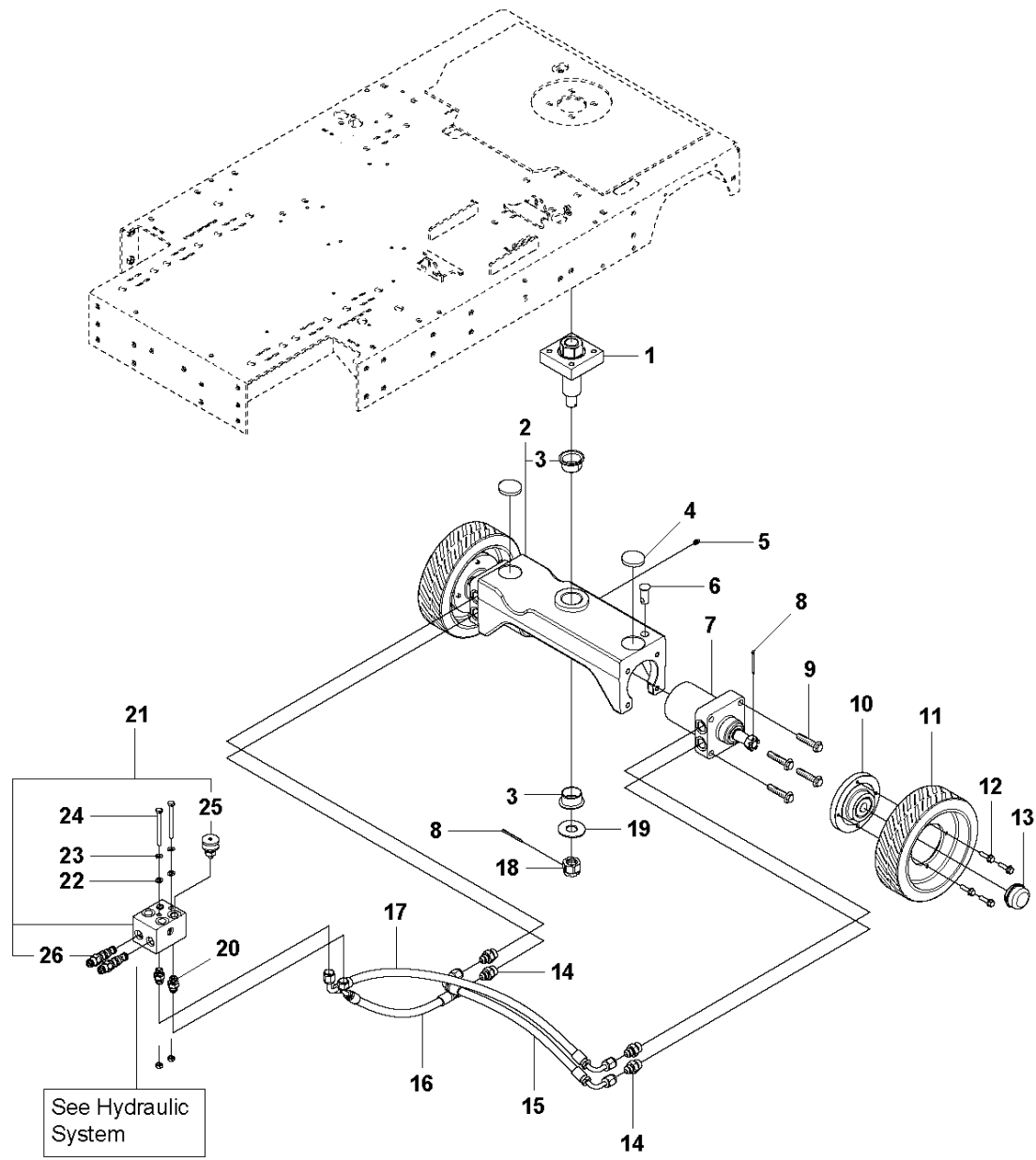


DECALS

FS7000 DMT, 2017-02

Ref	Part No	Description	Remark	QTY KIT
1	585 29 48-01	DECAL		2
2	585 94 93-01	DECAL		1
3	590 07 59-01	DECAL		2
4	525 51 27-01	STICKER		1
5	585 24 88-01	DECAL		1
6	582 52 10-01	DECAL		1
7	542 18 10-59	DECAL		1
8	585 29 97-01	DECAL		1
9	542 16 39-86	DECAL		1
10	588 06 16-01	DECAL		1
11	589 37 02-01	DECAL		1
12	542 19 60-29	DECAL		1
13	586 46 75-01	DECAL		1
14	585 37 06-01	DECAL		1
15	585 37 16-01	DECAL		1
16	585 40 71-01	DECAL		1

B FS7000 DMT
REAR AXLE



REAR AXLE

FS7000 DMT, 2017-02

Ref	Part No	Description	Remark	QTY	KIT
1	587 62 35-01	KIT		1	
2	590 19 82-01	REAR AXLE	Rear axle & Bushings	1	
3	580 25 53-01	BEARING BUSH		2	
4	578 78 32-01	DISC		2	
5	504 20 45-01	GREASE		1	
6	578 78 28-01	SWIVEL		1	
7	542 19 88-78	HYDRAULIC MOTOR		2	
8	721 62 03-01	SPLIT PIN		3	
9	576 65 48-06	SCREW EHHFM		8	
10	542 19 88-43	HUB		2	
11	582 63 18-01	WHEEL ASSY		2	
12	585 97 28-01	SCREW EHHFM		8	
13	539 10 25-35	CAP		2	
14	541 20 51-02	ADAPTER		4	
15	584 28 47-01	HYDRAULIC HOSE		1	
16	584 28 00-01	HYDRAULIC HOSE		1	
17	584 28 05-01	HYDRAULIC HOSE		1	
18	578 85 01-01	NUT		1	
19	542 16 64-80	WASHER		1	
20	583 96 82-01	ADAPTER		2	
21	581 26 77-01	VALVE		1	
22	734 11 63-01	WASHER		2	
23	735 11 64-01	SPRING WASHER		2	
24	725 24 69-51	SCREW EHHM		2	
25	542 19 89-17	NEEDLE VALVE		1	21
26	542 19 94-14	CARTRIDGE		2	21