



Husqvarna®

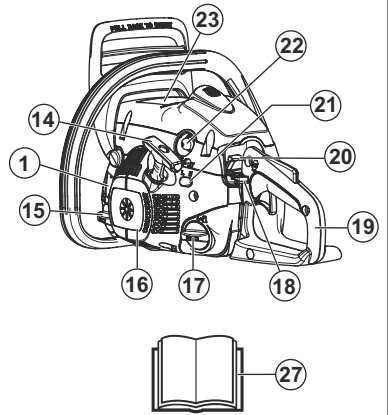
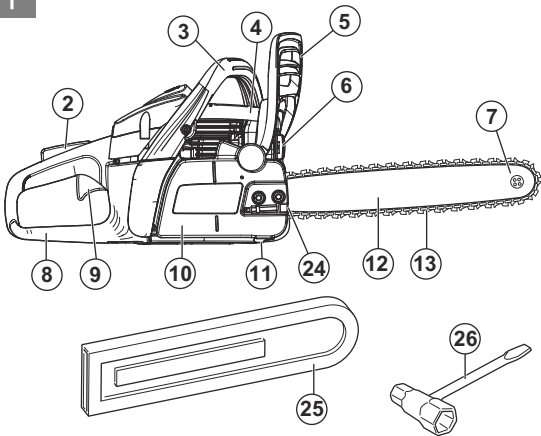


120

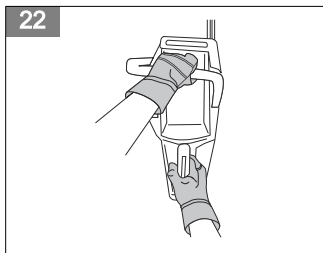
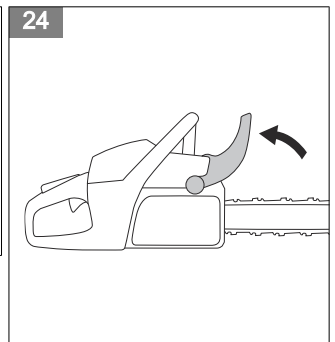
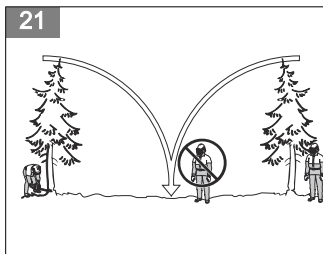
EN Operator's manual
ES-MX Manual del usuario
FR-CA Manuel d'utilisation

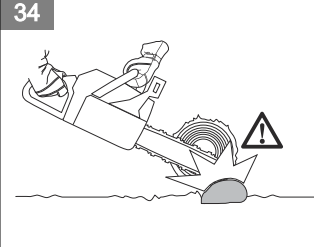
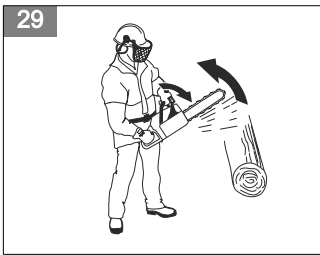
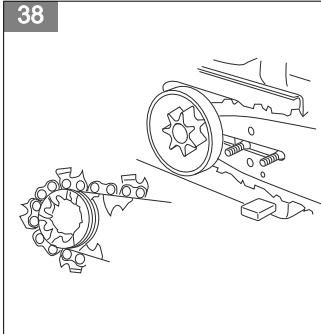
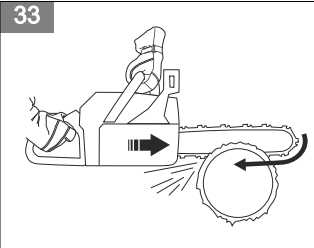
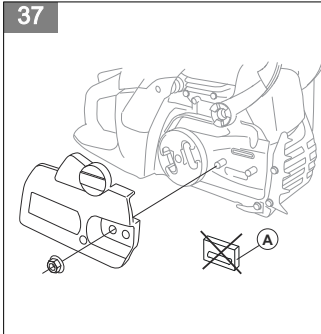
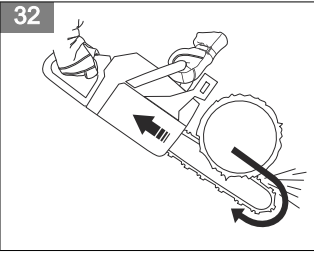
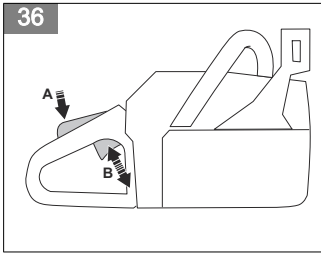
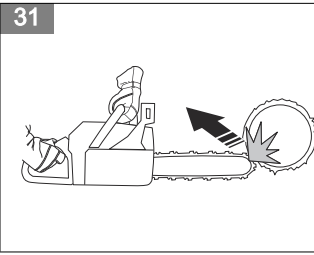
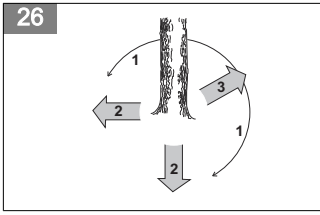
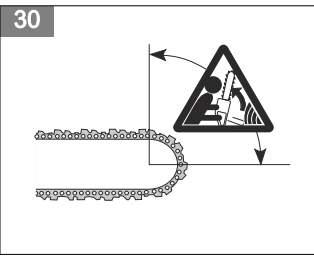
8-20
21-35
36-49

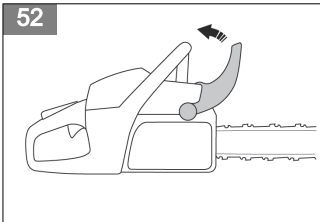
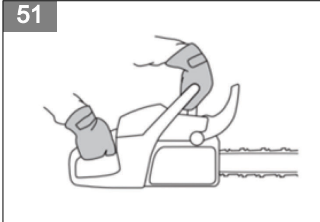
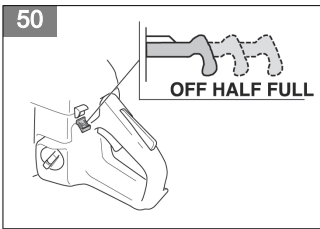
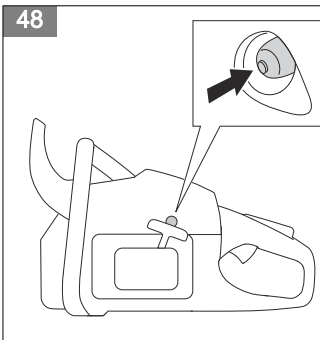
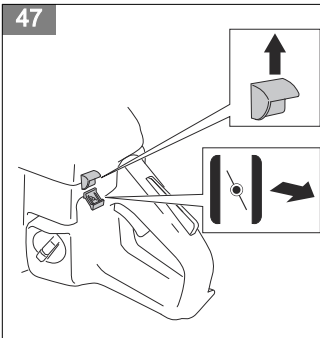
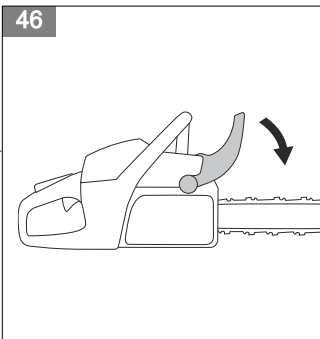
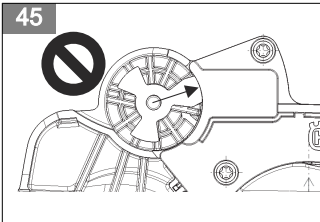
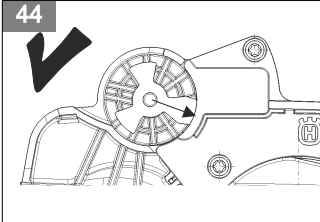
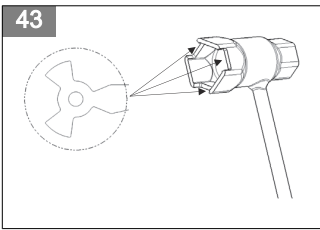
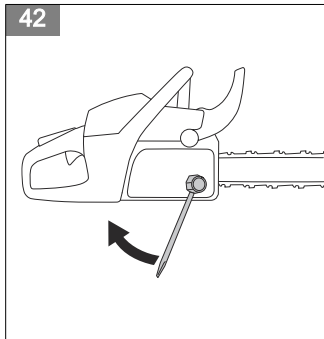
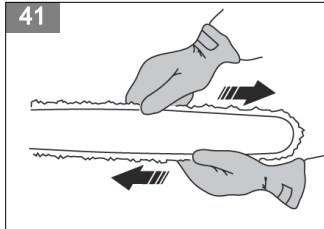
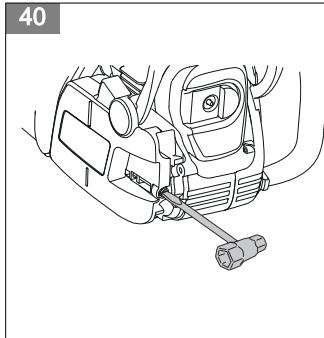
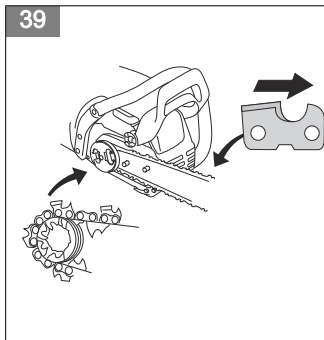
1

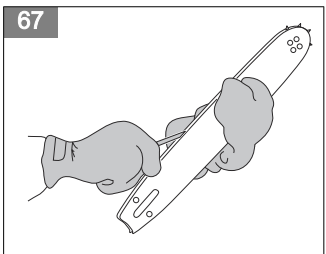
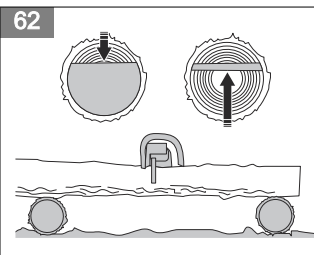
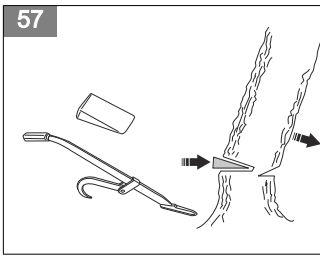
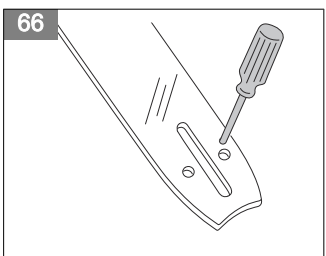
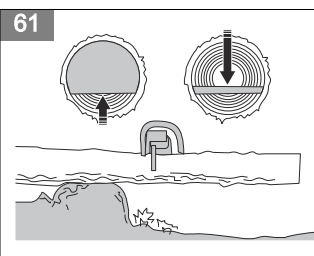
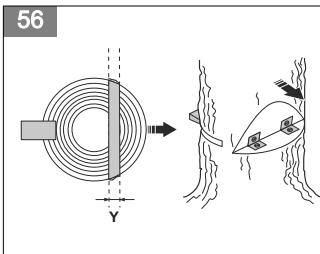
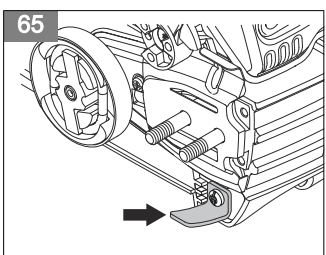
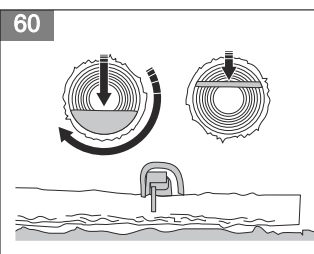
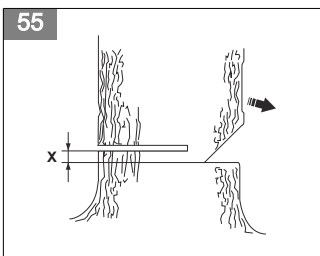
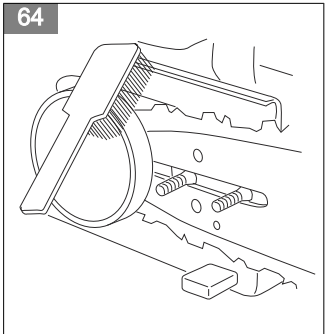
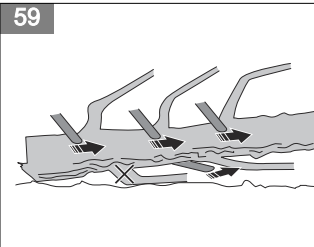
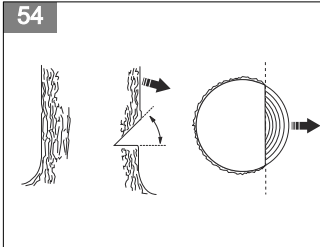
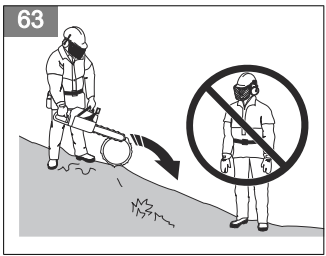
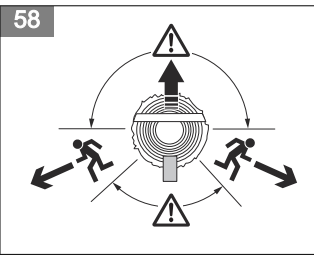
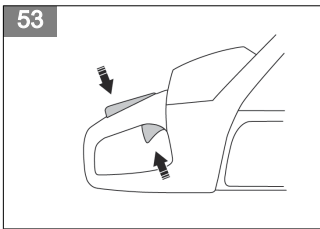


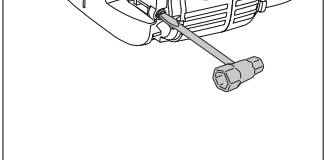
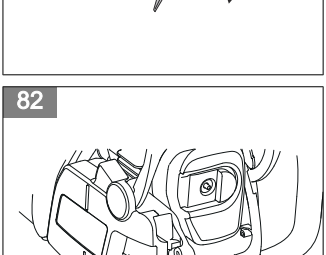
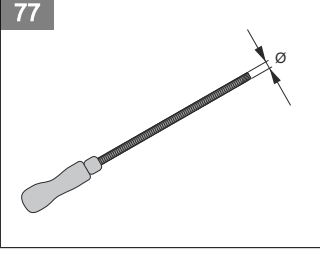
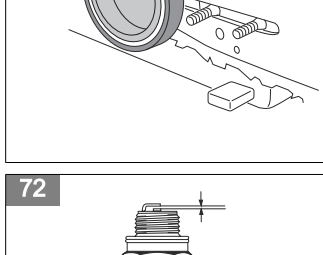
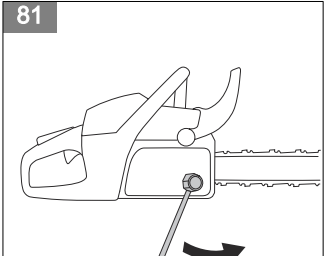
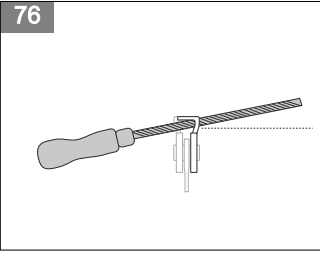
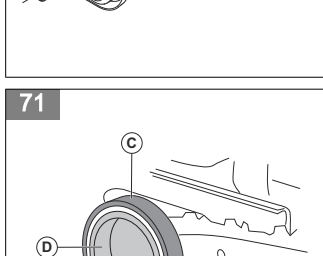
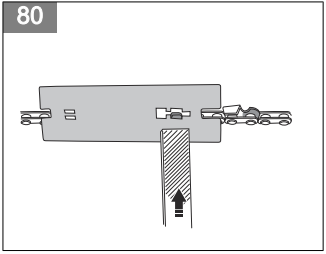
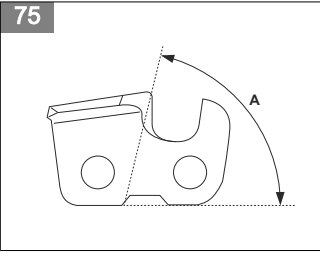
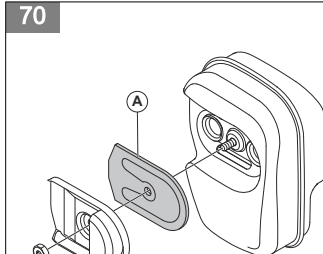
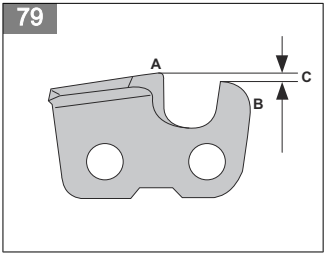
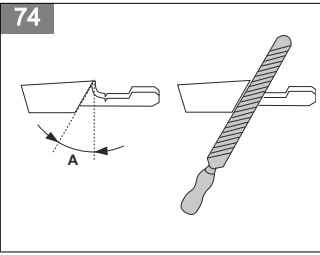
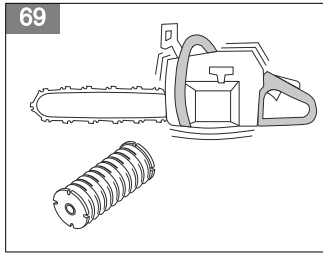
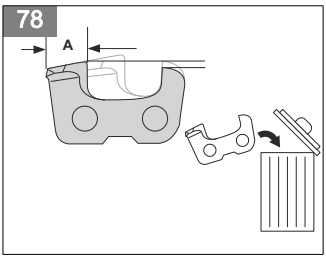
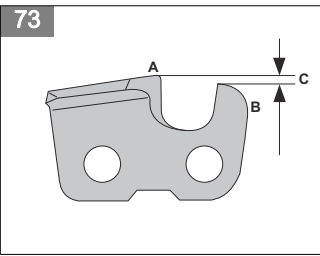
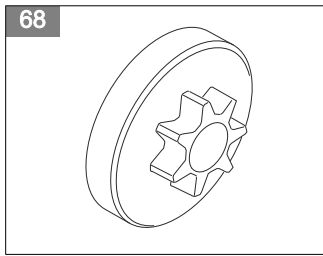
2		3		4		5		6		7	
8		9		10		11		12		13	
14		15		16		17		18		19	



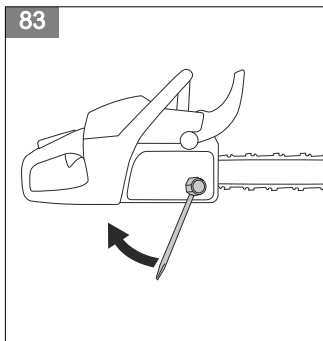




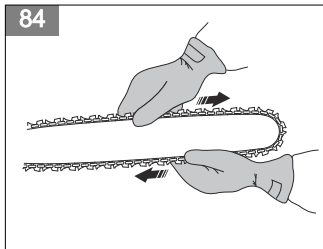




83



84



Contents

Introduction.....	8	Transportation.....	18
Safety.....	9	Storage.....	18
Assembly.....	13	Technical data.....	18
Operation.....	13	Accessories.....	20
Maintenance.....	16		

Introduction

Operator's manual

The initial language of this operator's manual is English. Operator's manuals in other languages are translations from English.

Product overview

(Fig. 1)

1. Product and serial number plate
2. Trigger lockout
3. Front handle
4. Cylinder cover
5. Chain brake and front hand guard
6. Muffler
7. Bar nose sprocket
8. Right hand guard
9. Trigger
10. Sprocket cover
11. Chain catcher
12. Guide bar
13. Saw chain
14. Starter handle
15. Chain oil tank
16. Starter
17. Fuel tank
18. Choke control
19. Rear handle
20. Stop switch
21. Idle adjustment screw
22. Primer bulb
23. Information and warning decal
24. Chain tensioning screw
25. Guide-bar cover
26. Combination tool
27. Operator's manual

known to the state of California to cause cancer and birth defects or other reproductive harm



WARNING: Battery posts, terminals and related accessories contain lead and lead compounds, chemicals known to the State of California to cause cancer and birth defects or other reproductive harm. Wash hands after handling

Symbols on the product

- (Fig. 2) Warning
- (Fig. 3) Read this manual
- (Fig. 4) Use approved head protection, hearing protection and eye protection
- (Fig. 5) Use approved protective gloves
- (Fig. 6) The product agrees with the applicable EC Directives
- (Fig. 7) Sound power level
- (Fig. 8) Chain brake, not engaged (left). Chain brake, engaged (right)
- (Fig. 9) Choke control
- (Fig. 10) Primer bulb
- (Fig. 11) Refueling
- (Fig. 12) Chain oil fill
- (Fig. 13) This product agrees with the applicable EAC directives

Chemical warning



WARNING: Engine exhaust, some of its constituents, and certain vehicle components contain or emit chemicals

- (Fig. 14) This product agrees with the applicable Ukraine directives
- (Fig. 15) Noise level
- (Fig. 16) Hold the product properly with both hands
- (Fig. 17) Do not use with one hand
- (Fig. 18) Avoid contact with nose of guide bar
- (Fig. 19) Beware of kickback
- (Fig. 20) This product agrees with the applicable Australia and New Zealand electromagnetic compatibility directives.

Note: Other symbols/decals on the product refer to certification requirements for other commercial areas.

Product liability

As referred to in the product liability laws, we are not liable for damages that our product causes if:

- the product is incorrectly repaired.
- the product is repaired with parts that are not from the manufacturer or not approved by the manufacturer.
- the product has an accessory that is not from the manufacturer or not approved by the manufacturer.
- the product is not repaired at an approved service center or by an approved authority.

Safety

Safety definitions

The definitions below give the level of severity for each signal word.



WARNING: Injury to persons.



CAUTION: Damage to the product.

Note: This information makes the product easier to use.

General safety instructions

- Use the product correctly. Injury or death is a possible result of incorrect use. Only use the product for the tasks found in this manual. Do not use the product for other tasks.
- Read, understand and obey the instructions in this manual. Obey the safety symbols and the safety instructions. If the operator does not obey the instructions and the symbols, injury, damage or death is a possible result.
- Do not discard this manual. Use the instructions to assemble, to operate and to keep your product in good condition. Use the instructions for correct installation of attachments and accessories. Only use approved attachments and accessories.
- Do not use a damaged product. Obey the maintenance schedule. Only do the maintenance work that you find an instruction about in this manual. An approved service center must do all other maintenance work.
- This manual cannot include all situations that can occur when you use the product. Be careful and use your common sense. Do not operate the product or do maintenance to the product if you are not sure about the situation. Speak to a product expert, your dealer, service agent or approved service center for information.
- Disconnect the spark plug cable before you assemble the product, put the product into storage or do maintenance.
- Do not use the product if it is changed from its initial specification. Do not change a part of the product without approval from the manufacturer. Only use parts that are approved by the manufacturer. Injury or death is a possible result of incorrect maintenance.
- Do not breathe in the exhaust fumes from the engine. A health risk can occur if you breathe in exhaust fumes, chain oil fumes and sawdust for a long period.
- Do not start the product indoors or near flammable material. The exhaust fumes are hot and can contain a spark which can start a fire. Without sufficient airflow, injury or death can result from asphyxiation or carbon monoxide.
- This product makes an electromagnetic field during operation. The electromagnetic field can cause damage to medical implants. Speak to your physician and medical implant manufacturer before you operate the product.
- Do not let a child operate the product.
- Do not let a person, without knowledge of the instructions, operate the product.
- Always monitor a person, with decreased physical capacity or mental capacity, that uses the product. A responsible adult must be there at all times.
- Lock the product in an area that children and not approved persons cannot access.
- The product can eject objects and cause injuries. Obey the safety instructions to decrease the risk of injury or death.

- Do not go away from the product when the engine is on. Stop the engine and make sure that the chain does not rotate.
- The operator of the product is responsible if an accident occurs.
- Make sure that parts are not damaged before you use the product.
- Refer to national or local laws. They can prevent or decrease the operation of the product in some conditions.
- Make sure that you can move freely and work in a stable position.
- Make sure that you cannot fall when you use the product. Do not tilt when you operate the product.
- Always hold the product with your two hands. Hold the front handle with your left hand and the rear handle with your right hand. Hold the product on the right side of your body.
- The saw chain starts to rotate if the choke control is in the choke position when the engine starts.
- Stop the engine before you move the product.
- Do not put down the product with the engine on.
- Before you remove the unwanted materials from the product, stop the engine. Let the chain stop before you or an aid remove the cut material.
- Do not operate this product in a tree. Operation of the product while up in a tree may result in personal injury.

Safety instructions for operation

- Continuous or regular operation of the product can cause "white finger" or equivalent medical problems from vibrations. Examine the condition of your hands and fingers if you operate the product continuously or regularly. If your hands or fingers have discoloration, have pain, tingle, or are numb, stop work and speak to a physician immediately.
- Make sure the product is fully assembled before you use it.
- The product can cause objects to eject, which can cause damage to the eyes. Always use approved eye protection when you operate the product.
- Be careful, a child can come near the product without your knowledge during operation.
- Do not operate the product if there are persons in the work area. Stop the product if a person goes into the work area.

(Fig. 21)

- Make sure that you are always in control of the product.
- The product must be operated with two hands. Do not operate the product with one hand. Serious injury to the operator, workers, bystanders, or a combination of these persons may result from operation with only one hand.
- Hold the front handle with your left hand and the rear handle with your right hand. Hold the product on the right side of your body.

(Fig. 22)

- Do not operate the product when you are fatigued, ill or under the influence of alcohol or other drugs.
- Do not use the product if you cannot receive aid if an accident occurs. Make others aware that you will operate the product before you start the product.
- Do not turn with the product before you make sure that no persons or animals are in the safety area.
- Remove all unwanted materials from the work area before you start. If the chain hits an object, the object can eject and cause injury or damage. Unwanted material can wind around the chain and cause damage.
- Do not use the product in bad weather, such as fog, rain, strong winds, risk of lightning or other weather conditions. Dangerous conditions, such as slippery surfaces, can occur because of bad weather.

(Fig. 23)

- The chain brake must be engaged when the product is started to decrease the risk that the saw chain touches you during start.

(Fig. 24)

- A kickback can cause serious injury or death to the operator or others. To decrease the risk you must know the causes of kickback and how to prevent them.
- Obey all safety instructions to decrease the risk of kickback and other forces which can cause serious injury or death.
- Adjust the saw chain tension regularly to make sure that the saw chain does not slack. A slack saw chain may jump off and cause serious injury or death.
- Do not fell trees using an incorrect procedure. This can cause injury to persons, hit a utility line or cause damage to property.
- The operator should remain on the uphill side of the terrain as the tree is likely to roll or slide downhill after it is felled.

(Fig. 25)

- Plan and prepare your path of retreat before you start to cut. Your path of retreat must be approximately 135 degrees away from the felling direction.
 - 1. The danger zone
 - 2. The path of retreat
 - 3. The felling direction

(Fig. 26)

- Always stop the engine before you move the product.
- Make sure you firmly plant your feet on the ground and distribute your weight evenly.

(Fig. 27)

- Only operate the product with your feet on stable ground. Without stable ground, operation can cause

serious injury or death to the operator or others. Do not do operate the product on a ladder or in a tree.

(Fig. 28)

Kickbacks, skating, bouncing and dropping

Different forces can have an effect on the safe control of the product.

- **Skating** is when the guide bar glides or moves quickly across the wood.
- **Bouncing** is when the guide bar lifts off the wood and touches it again and again.
- **Dropping** is when the product drops down after the cut is made. This can cause the moving chain to touch a part of the body or other objects, causing injury or damage.
- **Kickback** is when the end of the guide bar touches objects and moves rearward, up or suddenly forward. Kickback also occurs when the wood closes in and pinches the saw chain during the cut. Loss of control can result if the product touches an object in wood.

(Fig. 29)

- **Rotational Kickback** can occur when the moving chain touches an object at the top of the guide bar. This can cause the chain to bury into the object and cause the chain to stop immediately. The result is a very fast, reverse reaction that moves the guide bar up and rearward in the direction of the operator.

(Fig. 30)

(Fig. 31)

- **Pinch-Kickback** can occur when the saw chain suddenly stops during the cut. The wood closes in and pinches the moving saw chain along the top of the guide bar. The sudden stop of the chain reverses the chain force and causes the product to move in the opposite direction of the turn of the chain. The product moves rearward in the direction of the operator.

(Fig. 32)

- **Pull-In** can occur when the saw chain suddenly stops when the moving chain touches an object in the wood along the bottom of the guide bar. The sudden stop pulls the product forward and away from the operator, which can easily cause the loss of control of the product by the operator.

(Fig. 33)

Make sure that you understand the different forces and how to prevent them before you operate the product.

To prevent kickbacks, skating, bouncing and dropping

- While the engine runs, make sure to hold the product tightly. Keep your right hand on the rear handle and the left hand on the front handle. Tightly hold with

thumbs and fingers around the handles. Do not let go.

- Keep control of the product during the cut and after the wood falls to the ground. Do not let the weight of the product drop down after the cut is made. (Fig. 34)
- Make sure that the area in which you are cutting is free from blockage. Do not let the nose of the guide bar touch a log, branch or other blockages while you operate the product.
- Cut at high engine speeds.
- Do not overreach or cut above shoulder height. (Fig. 35)
- Obey the manufacturer's sharpening and maintenance instructions for the saw chain.
- Only use replacement guide bars and saw chains specified by the manufacturer.
- The risk of kickback is increased if the depth gauge setting is too large.

Personal protective equipment

- Always use the correct personal protective equipment when you operate the product. The personal protective equipment does not erase the risk of injury. The personal protective equipment decreases the grade of injury if an accident occurs.
- Generally, clothes should be close-fitting without restricting your freedom of movement.
- Use an approved protective helmet.
- Always use approved ear protection while you operate the product. Noise for a long period can cause hearing loss.
- Use protective glasses or a face visor to reduce the risk of injury from thrown objects. The product is capable of throwing objects, such as wood chips, small pieces of wood, etc., at great force. This can result in serious injury, especially to the eyes.
- Use gloves with chainsaw protection.
- Use trousers with chainsaw protection.
- Use boots with chainsaw protection, steel toe-cap and non-slip sole.
- Make sure that you have a first aid kit near.
- Sparks can come from the muffler, the guide bar and saw chain or other sources. Always have fire extinguishing tools and a shovel available to help prevent forest fires.

Protective devices on the product

- Make sure that you regularly do the maintenance to the product.
 - The life of the product increases.
 - The risk of accidents decreases.

Let an approved dealer or an approved service center regularly examine the product to do adjustments or repairs.

- Do not use a product with damaged protective equipment. If the product is damaged, speak to an approved service center.

Stop switch

Start the engine. Make sure that the engine stops when you move the stop switch to the stop position.

To examine the throttle trigger lockout

1. Make sure that the trigger (B) is locked at idle when you release the trigger lockout (A). (Fig. 36)
2. Push the trigger lockout (A) and make sure that it goes back to its initial position when you release it.
3. Push the trigger (B) and make sure that it goes back to its initial position when you release it.
4. Start the engine, and then apply full speed.
5. Release the trigger and examine if the saw chain stops.
6. If the saw chain turns with an idle engine, examine the idle adjustment screw of the carburetor.

Guard

The guard prevents objects from being ejected in the direction of the operator. The guard also prevents accidental touch between the operator and the saw chain.

- Make sure that the guard is permitted for operation in combination with the product.
- Do not use the product without the guard.
- Make sure that the guard is not damaged. Replace the guard if it is worn or has cracks.

Fuel safety

- Do not start the product if there is fuel or engine oil on the product. Remove the unwanted fuel/oil and let the product dry. Remove unwanted fuel from the product.
- If you spill fuel on your clothing, change clothing immediately.
- Do not get fuel on your body, it can cause injury. If you get fuel on your body, use a soap and water to remove the fuel.
- Do not start the engine if you spill oil or fuel on the product or on your body.
- Do not start the product if the engine has a leak. Examine the engine for leaks regularly.
- Be careful with fuel. Fuel is flammable and the fumes are explosive and can cause injuries or death.
- Do not breathe in the fuel fumes, it can cause injury. Make sure that there is a sufficient airflow.
- Do not smoke near the fuel or the engine.
- Do not put warm objects near the fuel or the engine.
- Do not add the fuel when the engine is on.
- Make sure that the engine is cool before you refuel.

- Before you refuel, open the fuel tank cap slowly and release the pressure carefully.
- Do not add fuel to the engine in an indoor area. Not sufficient airflow can cause injury or death because of asphyxiation or carbon monoxide.
- Tighten the fuel tank cap carefully or a fire can occur.
- Move the product at a minimum of 3 m (10 ft) from the position where you filled the tank before a start.
- Do not put too much fuel in the fuel tank.
- Make sure that a leak cannot occur when you move the product or fuel container.
- Do not put the product or a fuel container where there is an open flame, spark or pilot light. Make sure that the storage area does not contain an open flame.
- Only use approved containers when you move the fuel or put the fuel into storage.
- Empty the fuel tank before long-term storage. Obey the local law on where to dispose fuel.
- Clean the product before long-term storage.
- Remove the spark plug cable before you put the product into storage to make sure that the engine does not start accidentally.

Safety instructions for maintenance

- Disconnect the spark plug before doing maintenance on the product, not including carburetor adjustments.
- Have all product servicing done by an approved dealer, not including the tasks in *Maintenance on page 16*.
- Make sure the saw chain stops moving when the throttle trigger is released.
- Keep the handles dry, clean, and free from oil or fuel mixture.
- Keep caps and fasteners correctly tightened.
- Replacement components that are not approved or the removal of safety devices can cause damage to the product. This can also cause possible injury to the operator or bystanders. Only use accessories and replacement parts as recommended. Do not change your product.
- Keep the saw chain sharp and clean for safe and high performance.
- Obey the instructions for lubricating and changing accessories.
- Examine the product for damaged parts. Before more use of the product, make sure the damaged guard or part operates correctly. Examine for broken or incorrectly aligned parts, and parts that do not move freely. Examine for other conditions that can have an effect on the operation of the product. Make sure the product is correctly installed. A guard or other damaged part must be repaired or replaced by an approved dealer unless written in the operator's manual.
- When not in operation, keep the product in a dry, high or locked area away from children.

- During transportation or storage of the product, use a transportation guard or case to move the product.

- Do not use waste oil. Waste oil can be dangerous to you and can cause damage to the product and environment.

Assembly



WARNING: Read and understand the safety chapter before you assemble the product.

To assemble the guide bar and saw chain

1. Remove the spark plug cap from the spark plug during assembly to prevent an accidental start.
2. Remove the bar nuts and the sprocket cover. Remove the transportation guard (A). (Fig. 37)
3. Put the guide bar above the bar bolts. Steer the guide bar to its most rear position. (Fig. 38)
4. Put on protective chainsaw gloves.
5. Lift the saw chain above the drive sprocket and engage it in the groove on the guide bar. Start on the top edge of the guide bar. (Fig. 39)
6. Make sure that the edges of the cutting links are turned forward on the top edge of the guide bar.
7. Assemble the sprocket cover and steer the chain adjuster pin to the hole in the guide bar.
8. Make sure that the drive links of the saw chain fit correctly on the drive sprocket. Also make sure that the saw chain is correctly engaged in the groove in the guide bar.
9. Tighten the guide bar nuts with your fingers.
10. Tighten the saw chain by turning the chain tensioning screw clockwise with the combination wrench (Fig. 40). Tighten the saw chain until it does

not sag from below the guide bar, but you can turn it easily by hand. (Fig. 41)

11. Hold up the end of the guide bar and tighten the bar nuts with the combination wrench. (Fig. 42)
 - Examine the chain tension frequently after you assemble a new saw chain and until the saw chain has been run-in.
 - Examine the chain tension regularly. Correct chain tension results in good cutting performance and a long life.

To reset the chain brake

If the clutch cover is removed accidentally while the chain brake is locked, the chain brake must be unlocked so the clutch cover can be assembled without binding to the clutch drum.



CAUTION: The chain brake spring is under tension. Use care when resetting the chain brake.

Note: Do not hold the brake band while attempting to reset it.

1. Align the notches on the bar tool so that they fit over the brake rotating link. (Fig. 43)
2. To reset the brake, rotate the link clockwise until it stops. The front link will be in its downward rotated position when the chain brake is unlocked. (Fig. 44) (Fig. 45)

Operation



WARNING: Read and understand the safety chapter before you operate the product.

To use fuel



CAUTION: This product has a two-cycle engine. Use a mixture of gasoline and two-cycle engine oil. Make sure to use the correct quantity of oil in the mixture. Incorrect ratio of gasoline and oil can cause damage to the engine.

Fuel mixture ratio

The fuel mixture ratio for the gasoline and two-cycle engine oil is 50:1 (2%)

Gasoline	Two-cycle engine oil
1 U.S. Gal.	77 ml (2.6 oz)
1 UK Gal.	95 ml (3.2 oz)
5 l	100 ml (3.4 oz)

To make the fuel mixture

1. Determine the correct quantity of gasoline and engine oil (mixture ratio 50:1). Do not make more than 30 days quantity of fuel mixture. See *To use fuel* on page 13.
2. Add half of the gasoline quantity to a clean fuel container with an antispill valve.



CAUTION: Do not use gasoline with more than 10% ethanol concentration (E10). This can cause damage to the product.



CAUTION: Do not use gasoline with an octane number less than 90 RON (87 AKI). This can cause damage to the product.

Note: Use gasoline with a higher octane number if you frequently use the product at continuously high engine speed.

3. Add the full quantity of the two-cycle engine oil to the fuel container.



CAUTION: Always use air-cooled two-cycled engine oil of high quality. Other oils can cause damage to the product.

4. Shake the fuel mixture to mix the contents.
5. Add the remaining gasoline quantity to the fuel container.
6. Shake the fuel mixture to mix the contents.
7. Fill the fuel tank of the product with the fuel mixture. See *To use fuel on page 13*.

To fill the fuel tank

1. Make sure that the fuel mixture is correct and that the fuel mixture is in a fuel container with an antispill valve.
2. If fuel is on the container, remove the unwanted fuel and let the container dry.
3. Make sure that the area near the fuel tank cap is clean.
4. Remove the fuel tank cap.
5. Shake the fuel container before you add the fuel mixture to the fuel tank.
6. Put back the fuel tank cap.

To lubricate the saw chain

The product has an automatic lubrication system. The saw chain oil tank and the fuel tank are designed so that the fuel runs out before the saw chain oil. This safety feature requires that the correct chain oil is used and that the instructions are obeyed.

1. Use vegetable-based saw chain oil or a standard chain oil.
2. Make sure that the area near the cap of the saw chain oil tank is clean.
3. Remove the cap of the saw chain oil tank.
4. Fill the saw chain oil tank with the recommended saw chain oil.
5. Put back the cap of the saw chain oil tank.

To start and stop

Before you start the engine

- Examine the product for missing, damaged, loose or worn parts.
- Examine the nuts, screws and bolts.
- Examine the air filter.
- Examine the trigger lockout and the trigger for correct operation.
- Examine the stop switch for correct operation.
- Examine the product for fuel leaks.
- Examine the saw chain sharpness and tension.

To start a cold engine

1. Move the front hand guard forward to engage the chain brake. (Fig. 46)
2. Pull the choke control out fully. (Fig. 47)
3. Push the air purge bulb 6 times. (Fig. 48)
4. Hold the body of the product on the ground with your left hand.
5. Put your right foot through the rear handle.
6. Pull the starter rope handle slowly with your right hand until you feel some resistance.
7. Pull the starter rope handle with force. (Fig. 49)



CAUTION: Do not pull the starter rope until it stops. Do not let go of the starter rope when it is fully extended. Release the starter rope slowly. If you do not obey these instructions, it can cause damage to the engine.

Note: Do not pull the throttle trigger when you start the engine.

8. Continue to pull the starter rope handle until the engine starts or tries to start (pull max 5 times).
9. If the engine starts or tries to start, push the choke control in to the half choke position. (Fig. 50)
10. Continue to pull until the engine starts.
11. Hold the rear handle with your right hand and the front handle with your left hand. (Fig. 51)
12. Immediately pull the front hand guard rearward in the direction of the front handle to disengage the chain brake. (Fig. 52)

Note: The chain will move.

13. Run 20-30 seconds at elevated idle speed.
14. Pull the throttle trigger slowly but fully for 8-10 seconds, then release. (Fig. 53)
15. Run 10 seconds at normal idle speed.
16. Pull the throttle trigger slowly but fully for 5 seconds to check acceleration, then release.
17. Use the product.

To start a warm engine

1. Move the front hand guard forward to engage the chain brake.
2. Pull the choke control out fully.
3. Push the air purge bulb 6 times.
4. Push the choke control in fully.
5. Hold the body of the product on the ground with your left hand.
6. Put your right foot through the rear handle.
7. Pull the starter rope handle slowly with your right hand until you feel some resistance.
8. Pull the starter rope handle with force.



CAUTION: Do not pull the starter rope until it stops. Do not let go of the starter rope when it is fully extended. Release the starter rope slowly. If you do not obey these instructions, it can cause damage to the engine.

Note: Do not pull the throttle trigger when you start the engine.

9. Pull the starter rope handle until the engine starts.
10. Hold the rear handle with your right hand and the front handle with your left hand.
11. Immediately pull the front hand guard rearward in the direction of the front handle to disengage the chain brake.



Note: The chain will move.

12. Wait 10-15 seconds.
13. Pull the throttle trigger lightly to set normal idle.
14. Use the product.

To start the engine when the fuel is too hot

If the product does not start, the fuel can be too hot.

Note: Always use new fuel and decrease the operation time during warm weather.

1. Put the product in a cool area away from open sunlight.
2. Let the product cool down for 20 minutes at minimum.
3. Press the air purge bulb again and again for 10-15 seconds.
4. Obey the procedure to start a cold engine. Refer to *To start a cold engine on page 14.*

To stop the engine

- Push the stop switch to stop the engine.

Note: The stop switch automatically goes back to its initial position.

To fell a tree

1. Remove dirt, stones, loose bark, nails, staples and wire from the tree.
2. Make a notch 1/3 the diameter of the tree, perpendicular to the direction of the fall. (Fig. 54)
3. Make the lower horizontal notch cut. This will prevent either the saw chain or the guide bar from being pinched when the second notch is made.
4. Make the felling back cut (X) at least 50 mm (2 in) higher than the horizontal notching cut. Keep the felling back cut parallel to the horizontal notching cut so enough wood is left to act as a hinge. Do not cut through the hinge. The hinge wood keeps the tree from twisting and falling in the wrong direction. (Fig. 55) (Fig. 56)
5. As the felling back cut nears the hinge, the tree starts to fall. Make sure that the tree can fall in the correct direction and not rock rearward and pinch the saw chain. Stop the cut before the felling back cut is complete to prevent this. Use wedges of wood, plastic or aluminium to open the cut and let the tree fall along the necessary line of fall. (Fig. 57)
6. When the tree begins to fall, remove the product from the cut, stop the engine, put the product down, then use the retreat path planned. Be alert for overhead limbs falling and watch your footing. (Fig. 58)

To limb a tree

1. Use larger limbs to hold the log off the ground.
2. Remove small limbs in one cut. (Fig. 59)
3. Cut branches that have tension from the bottom to the top to prevent pinching the saw chain or the guide bar.

To buck a log



CAUTION: Do not let the saw chain touch the ground.

- If the log is supported along its entire length, cut from the top of the log (known as overbucking). (Fig. 60)
- If the log is supported on one end, cut 1/3 the diameter from the underside of the log (known as underbucking). (Fig. 61)
- If the log is supported on both ends, cut 1/3 the diameter from the top. Complete the cut by underbucking the lower 2/3 of the log to meet the first cut. (Fig. 62)
- If you buck a log on a slope, always stand on the uphill side of the log. Cut through the log while you maintain complete control of the product, then

release the cutting pressure near the end of the cut while firmly gripping the rear handle and front handle. (Fig. 63)

Maintenance



WARNING: Read and understand the safety chapter before you clean, repair or do maintenance on the product.

Maintenance schedule

Make sure that you obey the maintenance schedule. The intervals are calculated from daily use of the product. The intervals are different if you do not use the product each day. Only do the maintenance work that is found in this manual. Speak to an approved service center about other maintenance work not found in this manual.

Daily maintenance

- Clean the external surfaces.
- Make sure that the lockout and trigger work correctly.
- Clean the chain brake and make sure that it works correctly.

(Fig. 64)

- Examine the chain catcher for damage. Replace the chain catcher if it is damaged.

(Fig. 65)

- Turn the guide bar daily for more even wear.
- Make sure that the lubrication hole in the guide bar is not clogged.

(Fig. 66)

- Clean the guide bar groove.

(Fig. 67)

- Make sure that the guide bar and saw chain get sufficient oil.
- Examine the saw chain:
 - for cracks in the rivets and links.
 - for abnormally worn rivets and links.
 - for correct tension.

If necessary, replace the saw chain.

- Sharpen the saw chain. See *To sharpen the saw chain on page 17*.
- Examine the drive sprocket for excessive wear and replace if necessary.

(Fig. 68)

- Clean the air intake of the starter unit.
- Make sure that the nuts and screws are tight.
- Make sure that the stop switch works correctly.
- Examine the engine, tank and fuel lines for fuel leaks.

- Make sure that the saw chain does not rotate when the engine is idling.

Weekly maintenance

- Make sure that the cooling system works correctly.
- Make sure that the starter, starter cord and return spring work correctly.
- Make sure that the vibration damping elements are not damaged.

(Fig. 69)

- File off any burrs from the edges of the guide bar.
- Clean or replace the spark arrestor screen on the muffler.

(Fig. 70)

- Clean the external surfaces of the carburetor and its adjacent areas.
- Clean the air filter. Install a new air filter if it is damaged or too dirty to be fully cleaned. See *To clean the air filter on page 17* for more information.

Monthly maintenance

- Examine the brake band on the chain brake for wear. Replace when the brake band thickness is less than 0.6 mm (0.024 in) at the most worn point.

(Fig. 71)

- Examine the clutch center, clutch drum and clutch spring for wear.
- Clean the spark plug. Make sure that the electrode gap is correct.

(Fig. 72)

- Clean the external surfaces of the carburetor and its adjacent areas.
- Examine the fuel filter and the fuel hose. Replace if necessary.
- Empty the fuel tank.
- Empty the oil tank.
- Examine all cables and connections.

Yearly maintenance

- Examine the spark plug.
- Clean the external surfaces of the carburetor and its adjacent areas.
- Clean the cooling system.
- Examine the spark arrestor mesh.
- Examine the fuel filter.
- Examine the fuel hose for damage.
- Examine all cables and connections.

Intermittent maintenance

- Have an approved service center repair or replace the muffler after 50 hours of operation.
- Do maintenance on the spark plug when:
 - the power level in the engine is low.
 - it is hard to start the engine.
 - the engine does not work correctly at idle speed.
- Do a check of the saw chain lubrication each time you refuel. See *To do a check of the saw chain lubrication on page 18*.

To adjust the idle speed

Make sure that the air filter is clean and the air filter cover is attached before you adjust the idle speed.

1. Turn the idle adjustment screw, which is identified with a "T" mark, clockwise until the saw chain starts to turn.
2. Turn the idle adjustment screw, which is identified with a "T" mark, counterclockwise until the saw chain stops.
3. The idle speed must be below the speed when the saw chain starts to turn. The idle speed is correct when the engine operates smoothly in all positions.

To clean the spark arrester screen

1. Use a wire brush to clean the spark arrester screen.

To do maintenance on the spark plug



CAUTION: Use the recommended spark plug. Make sure that the replacement is the same as the manufacturer supplied part. An incorrect spark plug can cause damage to the product.

1. If the product is hard to start or operate, examine the spark plug for unwanted materials. To decrease the risk of unwanted material on the spark plug electrodes:
 - a) make sure that the idle speed is correctly adjusted.
 - b) make sure that the fuel mixture is correct.
 - c) make sure that the air filter is clean.
2. Clean the spark plug if it is dirty. Make sure that the electrode gap is correct. (Fig. 72)
3. Replace the spark plug when it is necessary.

To clean the air filter

1. Remove the air filter cover and remove the air filter.
2. Clean the air filter with warm soap water. Make sure that the air filter is dry before you install it.
3. Replace the air filter if it is too dirty to fully clean it. Always replace a damaged air filter.

To sharpen the saw chain

The cutter

The cutting part of the saw chain is called the cutter and consists of a cutting tooth (A) and the depth gauge (B). The cutters cutting depth is determined by the difference in height between the two, the depth gauge setting (C).

(Fig. 73)

When you sharpen a cutting tooth there are four important factors to remember:

- Filing angle.
- Cutting angle.

(Fig. 74)

(Fig. 75)

- File position.

(Fig. 76)

- Round file diameter.

(Fig. 77)

To sharpen the cutting teeth

Use a round file and a file gauge to sharpen the cutting teeth. See *Saw chain filing and saw chain combinations on page 20* for information on the recommended dimension of the file and gauge for the saw chain installed on your product.

1. Make sure that the saw chain is correctly tensioned. A slack chain will move sideways, making it more difficult to sharpen correctly.
2. File all teeth on one side first. File the cutting teeth from the inside face and reduce the pressure on the return stroke.
3. Turn the product over and file the teeth on the other side.
4. File all the teeth to the same length. When the length of the cutting teeth is reduced to 4 mm (5/32") the saw chain is worn out and must be replaced. (Fig. 78)

To adjust the depth gauge setting

Sharpen the cutting teeth before you adjust the depth gauge setting. See *To sharpen the cutting teeth on page 17*. When you sharpen the cutting tooth (A), the depth gauge setting (C) will decrease. To maintain optimal cutting performance, the depth gauge (B) has to be filed down to achieve the recommended depth gauge setting. See *Saw chain filing and saw chain combinations on page 20* to find the correct depth gauge setting for your particular chain.

(Fig. 79)

(Fig. 80)

Note: This recommendation assumes that the length of the cutting teeth is not reduced excessively.

Use a flat file and depth gauge tool to adjust the depth gauge.

1. Put the depth gauge tool above the saw chain.
Detailed information regarding how to use the depth gauge tool will be found on the package of the depth gauge tool.
2. Use the flat file to file off the tip of the depth gauge that protrudes through the depth gauge tool. The depth gauge setting is correct when you no longer feel resistance as you draw the file along the depth gauge tool.

To tension the saw chain

Note: Check the tension of a new saw chain frequently during its running-in period.

1. Loosen the guide bar nuts that hold the clutch cover. Use the combination wrench. (Fig. 81)
2. Tighten the guide bar nuts by hand as tight as you can.
3. Lift the top of the guide bar and extend the saw chain by tightening the chain tensioning screw. Use the combination wrench. Tighten the saw chain until it does not hang down from the bottom of the guide bar. (Fig. 82)
4. Tighten the guide bar nuts using the combination wrench and lift the tip of the guide bar at the same time. (Fig. 83)

5. Make sure that you can pull the saw chain round freely by hand and that it does not sag. (Fig. 84)

To lubricate the cutting equipment

To do a check of the saw chain lubrication

Do a check of the chain saw lubrication each time you refuel.

1. Start the product and let it run at 3/4 speed. Point the nose of the guide bar at a light color surface almost 20 cm (8 in) away.
2. After 1 minute of running, a line of oil shows on the light surface.
3. If you cannot see the line of oil after 1 minute, clean the oil channel in the guide bar. Clean the groove in the edge of the guide bar. Make sure the guide bar nose sprocket turns freely and that there are no blockages in the lubrication hole. Clean and lubricate the tip sprocket.
4. Start the product and let it run at 3/4 speed. Point the nose of the bar at a light color surface almost 20 cm (8 in) away.
5. After 1 minute of running, a line of oil shows on the light surface.
6. If you cannot see the line of oil after 1 minute, speak to your approved dealer.

Transportation

- Put the transportation guard on the cutting attachment during transportation to prevent injuries.
- Make sure that the product can not move during transportation.

Storage

- Always put the product away safely when not in operation. Leakages and fumes from the product can touch sparks, naked flames from electrical equipment, electrical mowers, relays/switches, boilers and more.
- Always save fuel in an approved container.
- Empty the fuel tank and the chain oil tank when the product is in storage for longer periods of time. Discard used fluids correctly.
- Put the transportation guard on the cutting attachment during storage to prevent injuries.
- Remove the spark plug cap from the spark plug and engage the chain brake before storage.

Technical data

	unit	120 (P02138HV)
Engine specifications		
Cylinder displacement	cm ³	38
Spark plug		Champion RCJ7Y

	unit	120 (P02138HV)
Electrode gap	mm (in)	0.5 (0.02)
Fuel tank volume	cm ³	300
Idle speed	min ⁻¹	2800-3200
Power output at 9000 min ⁻¹	kW	1.4
Emission durability period	h	50
Noise and vibration data		
Equivalent vibration levels, a _{hveq} front handle ¹	m/s ²	5.3
Equivalent vibration levels, a _{hveq} rear handle ²	m/s ²	6.7
Sound power level, guaranteed (L _{WA}) ³	dB(A)	116
Sound power level, measured ⁴	dB(A)	113
Sound pressure level at operator's ear ⁵	dB(A)	100
Product dimensions		
Weight (excluding cutting equipment)	kg	4,9
Oil tank volume	cm ³	200
Fuel and lubrication system		
Oil pump capacity at 9000 min ⁻¹	ml/min	7
Oil tank volume	cm ³	200
Type of oil pump		Automatic
Saw chain and guide bar		
Standard guide bar length	cm (in)	35-40 (14-16)
Recommended bar lengths	cm (in)	35-45 (14-18)
Usable cutting length	cm (in)	34-39 (13.5 -15.5)
Maximum saw chain speed	m/s	22.3
Saw chain pitch	mm (in)	8,3 (0.325) 9,52 (3/8)
Thickness of drive links (gauge)	mm (in)	1.3 (0.05)
Type of drive sprocket		Spur

¹ Equivalent vibration level, according to ISO 22867, is calculated as the time-weighted energy total for vibration levels under various working conditions. Reported data for equivalent vibration level has a typical statistical dispersion (standard deviation) of 1 m/s².

² Equivalent vibration level, according to ISO 22867, is calculated as the time-weighted energy total for vibration levels under various working conditions. Reported data for equivalent vibration level has a typical statistical dispersion (standard deviation) of 1 m/s².

³ Noise emissions in the environment measured as sound power (L_{WA}).

⁴ Noise emissions in the environment measured as sound power (L_{WA}).

⁵ Equivalent sound pressure level is calculated as the time-weighted energy total for different sound pressure levels under various working conditions. Typical statistical dispersion for equivalent sound pressure level is a standard deviation of 1 dB(A).

	unit	120 (P02138HV)
Number of drive sprocket teeth		6 (drive sprocket 3/8) 7 (drive sprocket 0,325)



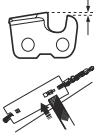


Accessories

Guide bar and saw chain combinations

The cutting attachments below are approved for the product.

Guide bar				Saw chain	
Length, cm (in)	Pitch, mm (in)	Gauge, mm (in)	Max. nose radius	Type	Drive link count
35 (14)	9,52 (3/8)	1,3 (0,050)	7T	Husqvarna S93G	52
40 (16)	9,52 (3/8)			Husqvarna H37	56
45 (18)	9,52 (3/8)				62

Saw chain filing and saw chain combinations

					
H37	5/32 in / 4.0 mm	579 65 36-01	0.025 in / 0.65 mm	30°	80°
S93G	5/32 in / 4.0 mm	587 80 90-01	0.025 in / 0.65 mm	30°	60°

Contenido

Introducción.....	21	Transporte.....	32
Seguridad.....	22	Almacenamiento.....	32
Montaje.....	26	Datos técnicos.....	33
Funcionamiento.....	27	Accesorios.....	34
Mantenimiento.....	30		

Introducción

Manual del usuario

El idioma original de este manual de usuario es el inglés. Los manuales de usuario en otros idiomas son traducciones del inglés.

Descripción general del producto

(Fig. 1)

1. Placa de producto y número de serie
2. Bloqueo del acelerador
3. Mango delantero
4. Cubierta del cilindro
5. Freno de cadena y protección contra reculadas
6. Silenciador
7. Piñón de la punta de la espada
8. Protección de la mano derecha
9. Acelerador
10. Cubierta del piñón
11. Captor de cadena
12. Espada guía
13. Cadena de sierra
14. Empuñadura de arranque
15. Depósito de aceite para cadena
16. Motor de partida
17. Depósito de combustible
18. Estrangulador
19. Mango trasero
20. Interruptor de detención
21. Tornillo de ajuste de ralentí
22. Pera de cebado
23. Etiqueta de información y advertencia
24. Tornillo de tensado de cadena
25. Cubierta de la espada guía
26. Herramienta combinada
27. Manual del usuario

contienen o emiten químicos que según el Estado de California provocan cáncer y malformaciones congénitas u otros daños reproductivos.



ADVERTENCIA: Los postes de batería, terminales y accesorios relacionados contienen plomo y compuestos de plomo, químicos que según el Estado de California provocan cáncer y malformaciones congénitas u otros daños reproductivos. Lávese las manos después de su manipulación.

Símbolos en el producto

- (Fig. 2) Advertencia
- (Fig. 3) Lea este manual
- (Fig. 4) Use equipos aprobados de protección para la cabeza, protectores auriculares y protección ocular
- (Fig. 5) Use guantes protectores aprobados
- (Fig. 6) El producto cumple con las directivas CE pertinentes
- (Fig. 7) Nivel de potencia sonora
- (Fig. 8) Freno de cadena, no acoplado (izquierdo). Freno de cadena, acoplado (derecho)
- (Fig. 9) Estrangulador
- (Fig. 10) Pera de cebado
- (Fig. 11) Recarga de combustible



ADVERTENCIA: Los gases de escape del motor, algunos de sus componentes y algunos componentes del vehículo

- (Fig. 12) Llenado de aceite para cadena
- (Fig. 13) Este producto cumple con las directivas EAC pertinentes
- (Fig. 14) Este producto cumple con las directivas de Ucrania pertinentes
- (Fig. 15) Nivel de ruido
- (Fig. 16) Sujete el producto correctamente con ambas manos
- (Fig. 17) No utilice con una sola mano
- (Fig. 18) Evite el contacto con la punta de la espada guía
- (Fig. 19) Tenga cuidado con la reculada
- (Fig. 20) Este producto cumple con las directivas de compatibilidad electromagnética pertinentes de Australia y Nueva Zelanda.

Tenga en cuenta: Otros símbolos o etiquetas del producto hacen referencia a requisitos de certificación para otras zonas comerciales.

Responsabilidad del fabricante

Como se menciona en las leyes de responsabilidad del fabricante, no nos hacemos responsables de los daños que cause nuestro producto si:

- el producto se repara incorrectamente
- el producto se repara con piezas que no son del fabricante o que este no autoriza
- el producto tiene un accesorio que no es del fabricante o que este no autoriza
- el producto no se repara en un centro de servicio autorizado o por una autoridad aprobada.

Seguridad

Definiciones de seguridad

Las siguientes definiciones proporcionan el nivel de gravedad de cada palabra clave.



ADVERTENCIA: Lesiones a personas.



AVISO: Daños en el producto.

Tenga en cuenta: Esta información hace que el producto sea más fácil de usar.

Instrucciones generales de seguridad

- Utilice el producto correctamente. Las lesiones graves o fatales son un posible resultado de un uso incorrecto. Solo utilice el producto para las tareas que aparecen en este manual. No utilice el producto para otras tareas.
- Asegúrese de leer, comprender y cumplir las instrucciones de este manual. Obedezca los símbolos y las instrucciones de seguridad. Si el usuario no obedece las instrucciones y los símbolos, es posible que se produzcan daños y lesiones tanto graves como fatales.
- No deseche este manual. Utilice las instrucciones para montar, operar y mantener el producto en buen estado. Utilice las instrucciones para la correcta instalación de piezas y accesorios. Utilice solamente piezas y accesorios homologados.
- No use un producto dañado. Cumpla con el programa de mantenimiento. Realice solamente las

tareas de mantenimiento en las que se detallan instrucciones en este manual. Un centro de servicio autorizado debe realizar todos los demás trabajos de mantenimiento.

- En este manual no se pueden abarcar todas las situaciones que pueden ocurrir cuando se utiliza el producto. Tenga cuidado y use el sentido común. No haga funcionar el producto ni realice mantenimientos si no está seguro acerca de la situación. Hable con un experto en el producto, su distribuidor, el agente de servicio o un centro de servicio autorizado para obtener más información.
- Desconecte el cable de la bujía antes de montar o almacenar el producto, o realizar tareas de mantenimiento.
- No utilice el producto si cambia su especificación inicial. No cambie una parte del producto sin la aprobación del fabricante. Utilice solamente las piezas que están aprobadas por el fabricante. Las lesiones graves o fatales son un posible resultado de un mantenimiento incorrecto.
- No respire los gases de escape del motor. Puede poner en riesgo su salud si inhala gases de escape, vapores de aceites para cadena y polvo de serrín durante un período prolongado.
- No encienda el producto en interiores o cerca de materiales inflamables. Los gases de escape están muy calientes y pueden crear incendios debido a la creación de chispas. Si no hay suficiente flujo de aire, se pueden producir lesiones graves o fatales como resultado de asfixia o intoxicación por monóxido de carbono.
- Este producto genera un campo electromagnético durante su funcionamiento. El campo electromagnético puede causar daños a implantes médicos. Hable con su médico y fabricante del implante antes de utilizar el producto.

- No deje que un niño utilice el producto.
- No permita que una persona que no conozca las instrucciones utilice el producto.
- Siempre esté pendiente de una persona que utilice el producto si es que tiene capacidades físicas o mentales reducidas. Debe haber un adulto responsable en todo momento.
- Mantenga el producto en un área a la cual los niños y las personas no autorizadas no puedan acceder.
- El producto puede expulsar objetos y causar lesiones. Siga las instrucciones de seguridad para reducir el riesgo de lesiones graves o fatales.
- No se aleje del producto cuando el motor esté en marcha. Detenga el motor y asegúrese de que la cadena no gire.
- El operador del producto es responsable en caso de un accidente.
- Asegúrese de que las piezas no estén dañadas antes de utilizar el producto.
- Consulte las leyes locales o nacionales. Estas pueden evitar o disminuir el funcionamiento del producto en algunas condiciones.

Instrucciones de seguridad para el funcionamiento

- El funcionamiento continuo o regular del producto puede provocar la enfermedad de Dupuytren o problemas médicos equivalentes producto de las vibraciones. Examine la condición de sus manos y dedos si opera el producto regular o continuamente. Si sus manos o dedos tienen una decoloración, dolor, cosquilleo o se sienten entumecidos, detenga el trabajo y póngase en contacto con un médico de inmediato.
- Asegúrese de que el producto esté completamente montado antes de usarlo.
- El producto puede provocar que los objetos salgan expulsados, lo que puede causar daños a los ojos. Use siempre una protección ocular aprobada cuando haga funcionar el producto.
- Tenga cuidado, un niño puede acercarse al producto sin que lo note mientras se encuentra en funcionamiento.
- No utilice el producto si hay personas en el área de trabajo. Detenga el producto si una persona entra al área de trabajo.

(Fig. 21)

- Asegúrese de estar siempre en control del producto.
- El producto debe ser operado con las dos manos. No haga funcionar el producto con una sola mano. Si se hace funcionar el producto con una sola mano, se podrían provocar lesiones graves al usuario, a los trabajadores, a los transeúntes o a una combinación de estas personas.
- Sujete el mango delantero con la mano izquierda y el mango trasero con la mano derecha. Mantenga el producto al lado derecho de su cuerpo.

(Fig. 22)

- No haga funcionar el producto si está fatigado, enfermo o bajo la influencia de alcohol u otras drogas.
- No utilice el producto si no puede recibir ayuda en caso de un accidente. Asegúrese de que los demás sepan que va a utilizar el producto antes de ponerlo en funcionamiento.
- No gire con el producto sin asegurarse de que no haya personas ni animales en la zona de seguridad.
- Retire todos los materiales no deseados del área de trabajo antes de empezar. Si la cadena choca contra un objeto, el objeto puede salir expulsado y causar lesiones o daños. Puede enredarse material no deseado en la cadena y causar daños.
- No utilice el producto en malas condiciones climáticas, tales como niebla, lluvia, vientos fuertes, riesgo de rayos u otros tipos de condiciones climáticas. En estos climas adversos se pueden producir condiciones peligrosas, como superficies resbaladizas.
- Asegúrese de poder moverse libremente y trabajar en una posición estable.
- Asegúrese de no correr riesgos de caídas cuando utilice el producto. No se incline cuando utilice el producto.
- Siempre sostenga el producto con las dos manos. Sujete el mango delantero con la mano izquierda y el mango trasero con la mano derecha. Mantenga el producto al lado derecho de su cuerpo.
- La cadena de sierra comienza a girar si el estrangulador se encuentra en la posición de estrangulamiento cuando arranca el motor.
- Detenga el motor antes de mover el producto.
- No deje el producto en el suelo con el motor encendido.
- Antes de quitar los materiales no deseados del producto, detenga el motor. Deje que la cadena se detenga antes de que usted o un ayudante quiten el material de corte.
- No haga funcionar este producto en un árbol. Si hace funcionar el producto mientras se encuentra arriba de un árbol, podría sufrir daños personales (lesiones).

(Fig. 23)

- El freno de cadena debe estar activado cuando el producto se pone en marcha para reducir el riesgo de que la cadena de sierra entre en contacto con usted durante el arranque.

(Fig. 24)

- Una reculada puede causar lesiones graves o fatales al operador o a otras personas. Para disminuir el riesgo, debe conocer las causas de las reculadas y cómo prevenirlas.
- Siga todas las instrucciones de seguridad para evitar riesgos de reculada y otras fuerzas, que pueden provocar daños graves o fatales.

- Ajuste la tensión de la cadena de sierra con regularidad para garantizar que la cadena de sierra no esté floja. Una cadena de sierra floja puede zafarse y causar daños (lesiones) graves o la muerte.
- No tale árboles con un procedimiento incorrecto. Esto puede provocar lesiones a personas, golpear un cable de servicio público o causar daños a la propiedad.
- El operador debe permanecer en el lado cuesta arriba, ya que es probable que el árbol ruede o se deslice cuesta abajo tras ser cortado.

(Fig. 25)

- Planifique y prepare su camino de retirada antes de empezar a cortar. El camino de retirada debe estar a aproximadamente a 135 ° de la dirección de derribo.
 1. La zona de riesgo
 2. El camino de retirada
 3. La dirección de derribo

(Fig. 26)

- Siempre detenga el motor antes de mover el producto.
- Asegúrese de apoyar firmemente sus pies en el suelo y distribuir su peso de manera uniforme.

(Fig. 27)

- Solo use el producto cuando esté parado sobre una superficie estable. Esta operación puede causar daños graves o fatales al operador o a otras personas si la superficie no es estable. No opere la sierra en una escalera o un árbol.

(Fig. 28)

Reculadas, giros, rebotes y caídas

Las diferentes fuerzas pueden tener un efecto en el control seguro del producto.

- **Los giros** ocurren cuando la espada guía se desliza o mueve rápidamente en la madera.
- **Los rebotes** ocurren cuando la espada guía se levanta de la madera y la toca una y otra vez.
- **Las caídas** ocurren cuando el producto se cae después de hacer el corte. Esto puede provocar que la cadena móvil toque una parte del cuerpo u otros objetos, lo que podría causar lesiones o daños.
- **Los rebotes** ocurren cuando el extremo de la espada guía toca objetos y se mueve hacia atrás, hacia arriba o repentinamente hacia delante. Las reculadas también ocurren cuando la madera se cierra y aprieta la cadena de la sierra durante el corte. La pérdida de control se puede generar si el producto toca un objeto en la madera.

(Fig. 29)

- **Las reculadas giratorias** pueden ocurrir cuando la cadena móvil toca un objeto en la parte superior de la espada guía. Esto puede generar que la cadena se entierre en el objetivo y que se detenga de inmediato. El resultado es una

reacción reversa muy rápida que mueve la espada guía hacia arriba o hacia atrás en la dirección del operador.

(Fig. 30)

(Fig. 31)

- **Las reculadas de aplastamiento** pueden ocurrir cuando la cadena de la sierra se detiene repentinamente durante el corte. La madera se cierra y aprieta la cadena móvil de la sierra en la parte superior de la espada guía. La detención repentina de la cadena invierte la fuerza de la cadena y provoca que el producto se mueva en la dirección opuesta del giro de la cadena. El producto se mueve hacia atrás en la dirección del operador.

(Fig. 32)

- **Los tiros** pueden ocurrir cuando la cadena de la sierra se detiene repentinamente cuando la cadena móvil toca un objeto en la madera en la parte inferior de la espada guía. La detención repentina tira el producto hacia delante y lejos del operador, lo cual puede provocar fácilmente que el operador pierda el control del producto.

(Fig. 33)

Asegúrese de conocer las diferentes fuerzas y saber cómo prevenir las antes de operar el producto.

Para evitar reculadas, giros, rebotes y caídas

- Mientras el motor funciona, asegúrese de sujetar firmemente el producto. Mantenga la mano derecha en el mango trasero y la mano izquierda en el mango delantero. Sujete firmemente con los pulgares y dedos alrededor de los mangos. No lo suelte.
- Mantenga el control del producto durante el corte y después de que la madera cae al suelo. No deje que el peso del producto provoque una caída después de hacer un corte. (Fig. 34)
- Asegúrese de que el área en la que está cortando no esté obstruida. No permita que la punta de la espada guía toque troncos, ramas u otras obstrucciones mientras opera el producto.
- Corte a un alto régimen del motor.
- No sobrepase ni corte por encima de la altura de los hombros. (Fig. 35)
- Siga las instrucciones de afilado y mantenimiento del fabricante para la cadena de la sierra.
- Use solo espadas guía y cadenas de sierra de repuesto especificadas por el fabricante.
- El riesgo de reculada aumenta si el ajuste del calibre de profundidad es demasiado grande.

Equipo de protección personal

- Utilice siempre el equipo de protección personal adecuado cuando use el producto. El equipo de protección personal no elimina el riesgo de lesiones. El equipo de protección personal disminuye el grado de la lesión en caso de un accidente.

- En general, la ropa debe ser ajustada sin restringir su libertad de movimiento.
- Utilice un casco protector aprobado.
- Use siempre protectores auriculares autorizados cuando utilice el producto. Escuchar ruidos durante un largo período puede provocar pérdida de audición.
- Utilice gafas protectoras o un visor para el rostro para reducir el riesgo de lesiones a raíz de los objetos despedidos. El producto puede lanzar objetos con mucha fuerza como, por ejemplo, virutas o trozos de madera pequeños. Esto puede provocar daños (lesiones) graves, sobre todo en los ojos.
- Utilice guantes con protección contra motosierras.
- Utilice pantalones con protección contra motosierras.
- Utilice botas con protección contra motosierras que tengan puntas de acero y suelas antideslizantes.
- Asegúrese de tener un botiquín de primeros auxilios.
- Se pueden producir chispas en el silenciador, la espada guía y la cadena de la sierra u otras fuentes. Siempre tenga a mano herramientas de extinción de incendios y una pala para prevenir incendios forestales.

Dispositivos de protección en el producto

- Asegúrese de realizar el mantenimiento del producto frecuentemente.
 - Esto aumenta la vida útil del producto.
 - Disminuye el riesgo de accidentes.

Permita que un concesionario autorizado o un centro de servicio autorizado examinen frecuentemente el producto para realizar ajustes o reparaciones.

- No use un producto con equipo de protección dañado. Si el producto está dañado, comuníquese con un centro de servicio autorizado.

Interruptor de detención

Arranque el motor. Asegúrese de que el motor se detenga cuando mueva el interruptor de detención a la posición de detención.

Para examinar el bloqueo del acelerador

1. Asegúrese de que el acelerador (B) se encuentre bloqueado al ralentí cuando suelte el bloqueo del acelerador (A). (Fig. 36)
2. Presione el bloqueo del acelerador (A) y asegúrese de que vuelva a su posición inicial cuando lo libere.
3. Presione el acelerador (B) y asegúrese de que vuelva a su posición inicial cuando lo libere.
4. Encienda el motor y aplique máxima velocidad.
5. Libere el acelerador y examine si la cadena de sierra se detiene.
6. Si la cadena de sierra gira con el motor en ralentí, examine el tornillo de ajuste de ralentí del carburador.

Protección

La protección impide que los objetos salgan despedidos en dirección al operador. La protección también previene el contacto accidental entre el operador y la cadena de sierra.

- Asegúrese de que la protección está permitida para funcionamiento en combinación con el producto.
- No use el producto sin la protección.
- Asegúrese de que la protección no está dañada. Cambie la protección si está desgastada o tiene grietas.

Seguridad de combustible

- No arranque el producto si hay combustible o aceite de motor en el producto. Quite el combustible o aceite no deseado y deje secar el producto. Quite el combustible no deseado del producto.
- Si derrama combustible en su ropa, cámbiese la ropa inmediatamente.
- No permita que le caiga combustible en el cuerpo, ya que puede causar lesiones. Si le cae combustible en el cuerpo, utilice jabón y agua para quitarlo.
- No arranque el motor si derrama aceite o combustible en el producto o en su cuerpo.
- No arranque el producto si el motor tiene una fuga. Examine frecuentemente el motor en busca de fugas.
- Tenga cuidado con el combustible. El combustible es inflamable y los gases son explosivos y pueden causar lesiones graves o fatales.
- No respire los gases del combustible, ya que pueden causar lesiones. Asegúrese de que haya suficiente flujo de aire.
- No fume cerca del combustible o del motor.
- No coloque objetos calientes cerca del combustible o del motor.
- No agregue combustible cuando el motor esté en marcha.
- Asegúrese de que el motor se enfríe antes de llenar el depósito de combustible.
- Antes de llenar el depósito de combustible, abra lentamente la tapa del depósito de combustible y libere la presión con cuidado.
- No agregue combustible al motor en un área interior. Un flujo de aire insuficiente puede causar lesiones graves o fatales por asfixia o debido al monóxido de carbono.
- Apriete la tapa del depósito de combustible con cuidado para evitar incendios.
- Mueva el producto a un mínimo de 3 m (10 pies) de la posición en la que se llenó el depósito antes de empezar.
- No ponga demasiado combustible en el depósito de combustible.
- Asegúrese de que no se puedan provocar fugas cuando mueva el producto o el recipiente de combustible.

- No coloque el producto ni un recipiente de combustible donde haya una llama expuesta, una chispa o una fuente de calor. Asegúrese de que no haya una llama expuesta en el área de almacenamiento.
- Utilice solamente contenedores aprobados cuando mueva el combustible o coloque el combustible en el almacenamiento.
- Vacíe el depósito de combustible antes de un almacenamiento a largo plazo. Cumpla con las leyes locales en cuanto al lugar en dónde se puede deshacer del combustible.
- Limpie el producto antes de un almacenamiento a largo plazo.
- Retire el cable de la bujía antes de almacenar el producto, para asegurarse de que el motor no arranque accidentalmente.
- Los componentes de reemplazo que no están aprobados o la eliminación de dispositivos de seguridad pueden causar daños en el producto. También pueden causar lesiones al operador o a los transeúntes. Utilice solo los accesorios y las piezas de reemplazo recomendados. No cambie su producto.
- Mantenga la cadena de sierra afilada y limpia para un funcionamiento excelente y seguro.
- Obedezca las instrucciones de lubricación y cambio de accesorios.
- Examine el producto en busca de piezas dañadas. Antes de seguir utilizando el producto, asegúrese de que la protección o la pieza dañada funciona correctamente. Examine que las piezas no estén rotas ni mal alineadas, y que las piezas se muevan libremente. Examine si hay otras condiciones que pueden tener un efecto en el funcionamiento del producto. Asegúrese de que el producto está correctamente instalado. Una protección u otra pieza dañada, debe ser reparada o reemplazada por un concesionario autorizado, a menos que se especifique cómo hacerlo en el manual de usuario.

Instrucciones de seguridad para el mantenimiento

- Desconecte la bujía antes de realizar tareas de mantenimiento en el producto, sin incluir ajustes del carburador.
- Haga que todos los servicios del producto sean realizados por un concesionario autorizado, sin incluir las tareas en *Mantenimiento en la página 30*.
- Asegúrese de que la cadena de sierra deje de moverse al soltar el gatillo del acelerador.
- Mantenga los mangos secos, limpios y libres de aceite o de mezcla de combustible.
- Mantenga los tapones y las fijaciones bien apretados.

Montaje



ADVERTENCIA: Asegúrese de leer y comprender el capítulo de seguridad antes de montar el producto.

Para montar la espada guía y la cadena de sierra

1. Quite el sombrerete de la bujía durante el montaje para evitar un arranque accidental.
2. Quite las tuercas de la espada y la cubierta del piñón. Quite la protección de transporte (A). (Fig. 37)
3. Ponga la espada guía encima de los tornillos de espada. Dirija la espada guía a la posición totalmente hacia atrás. (Fig. 38)
4. Utilice guantes protectores para manipular la motosierra.
5. Levante la cadena de sierra por encima del piñón de arrastre y acóplela en la ranura de la espada guía. Empezee en el borde superior de la espada guía. (Fig. 39)
6. Asegúrese de que los rebordes de las uniones de corte estén orientados hacia delante en el reborde superior de la espada guía.
7. Monte la cubierta del piñón y dirija el pasador de ajuste de cadena hacia el orificio de la espada guía.
8. Asegúrese de que los eslabones de arrastre de la cadena de sierra encajan correctamente en el piñón de arrastre. Asimismo, asegúrese de que la cadena de sierra está correctamente acoplada en la ranura de la espada guía.
9. Apriete las tuercas de la espada guía con sus dedos.
10. Apriete la cadena de sierra girando el tornillo de tensado de cadena hacia la derecha con la llave de combinación (Fig. 40). Apriete la cadena de sierra hasta que no cuelgue por debajo de la espada guía, pero que le permita hacerla girar a mano fácilmente. (Fig. 41)
11. Ponga hacia arriba el extremo de la espada guía y apriete las tuercas de la espada con la llave de combinación. (Fig. 42)

- Examine la tensión de la cadena con frecuencia después de montar una nueva cadena de sierra y hasta que la cadena de sierra se haya asentado.
- Examine la tensión de la cadena con regularidad. Una correcta tensión de la cadena se traduce en un buen rendimiento de corte y una larga vida útil.



AVISO: El resorte del freno de cadena está bajo tensión. Tenga cuidado cuando reajuste el freno de cadena.

Tenga en cuenta: No sostenga la cinta de freno mientras intenta restablecerlo.

Para restablecer el freno de cadena

Si la cubierta del embrague se ha retirado accidentalmente mientras el freno de cadena está bloqueado, el freno de cadena debe estar desbloqueado para poder montar la cubierta del embrague sin tocar el tambor del embrague.

1. Alinee las muescas de la herramienta de espada de forma que encajen en el eslabón giratorio del freno. (Fig. 43)
2. Para restablecer el freno, gire el enlace a la derecha hasta que se detenga. El eslabón delantero estará en su posición girada hacia abajo cuando el freno de la cadena está desbloqueado. (Fig. 44) (Fig. 45)

Funcionamiento



ADVERTENCIA: Asegúrese de leer y comprender el capítulo de seguridad antes de utilizar el producto.



AVISO: No utilice gasolina con un octanaje inferior a 90 RON (87 AKI). Esto puede provocar daños al producto.

Para utilizar combustible



AVISO: Este producto tiene un motor de dos ciclos. Utilice una mezcla de gasolina y de aceite del motor de dos ciclos. Asegúrese de utilizar la cantidad correcta de aceite en la mezcla. Una relación incorrecta de gasolina y aceite puede provocar daños al motor.



AVISO: Utilice siempre aceite de motor de dos ciclos enfriado por aire de alta calidad. Otros aceites pueden provocar daños al producto.

Tenga en cuenta: Use gasolina con un octanaje superior si con frecuencia utiliza el producto a velocidades de motor continuamente altas.

3. Agregue la cantidad total del aceite de motor de dos ciclos en el recipiente de combustible.

Relación de mezcla de combustible

La relación de mezcla de combustible para la gasolina y el aceite de motor de dos ciclos es de 50:1 (2 %)

Gasolina	Aceite para motor de dos ciclos
1 gal EE. UU.	77 ml (2,6 oz)
1 gal británico	95 ml (3,2 oz)
5 l	100 ml (3,4 oz)

4. Agite la mezcla de combustible para mezclar el contenido.
5. Agregue la cantidad restante de gasolina en el recipiente de combustible.
6. Agite la mezcla de combustible para mezclar el contenido.
7. Llene el depósito de combustible del producto con la mezcla de combustible. Consulte *Para utilizar combustible en la página 27*.

Para hacer la mezcla de combustible

1. Determine la cantidad correcta de gasolina y de aceite de motor (relación de mezcla de 50:1). No realice una cantidad de mezcla de combustible para más de 30 días. Consulte *Para utilizar combustible en la página 27*.
2. Agregue la mitad de la cantidad de gasolina a un recipiente de combustible limpio con una válvula antiderrames.

Para llenar el depósito de combustible

1. Asegúrese de que la mezcla de combustible es correcta y de que la mezcla de combustible se encuentra en un recipiente de combustible con válvula antiderrames.
2. Si hay combustible en el recipiente, retire el combustible no deseado y permita que el contenedor se seque.
3. Asegúrese de que el área cerca de la tapa del depósito de combustible está limpia.
4. Quite la tapa del depósito de combustible.
5. Agite el recipiente de combustible antes de agregar la mezcla de combustible al tanque de combustible.



AVISO: No utilice gasolina con más de un 10 % de etanol concentrado (E10). Esto puede provocar daños al producto.

6. Vuelva a colocar la tapa del depósito de combustible.

Para lubricar la cadena de sierra

El producto cuenta con un sistema de lubricación automática. El depósito de combustible y el depósito de aceite de la cadena de sierra están diseñados para que el combustible se agote antes que el aceite. Esta característica de seguridad requiere que se utilice el aceite para cadena correcto y que se observen las instrucciones específicas.

1. Utilice aceite para cadena de sierra de origen vegetal o un aceite para cadena estándar.
2. Asegúrese de que la zona cercana a la tapa del depósito de aceite para cadena de sierra esté limpia.
3. Quite la tapa del depósito de aceite de la cadena de sierra.
4. Llene el depósito de aceite para cadena de sierra con el aceite para cadena de sierra recomendado.
5. Vuelva a colocar la tapa del depósito de aceite para cadena de sierra.

Para arrancar y detener

Antes de arrancar el motor

- Examine el producto para ver si hay piezas dañadas, sueltas, desgastadas o faltantes.
- Examine las tuercas, los tornillos y los pernos.
- Examine el filtro de aire.
- Examine que el bloqueo del acelerador y el acelerador funcionen correctamente.
- Examine el interruptor de detención para su correcto funcionamiento.
- Examine el producto en busca de fugas de combustible.
- Examine el filo y la tensión de la cadena de sierra.

Para arrancar un motor frío

1. Mueva la protección contra reculadas hacia delante para accionar el freno de cadena. (Fig. 46)
2. Tire completamente del estrangulador. (Fig. 47)
3. Presione el bulbo de la bomba de combustible de aire 6 veces. (Fig. 48)
4. Mantenga el cuerpo del producto en el suelo con la mano izquierda.
5. Coloque su pie derecho a través del mango trasero.
6. Tire lentamente la empuñadura de la cuerda de arranque con la mano derecha hasta que sienta algo de resistencia.
7. Tire de la empuñadura de la cuerda de arranque con fuerza. (Fig. 49)



AVISO: No tire de la cuerda de arranque hasta que se detenga. No suelte la cuerda de arranque cuando esté totalmente extendida. Suelte la cuerda

de arranque lentamente. Si no sigue estas instrucciones, puede producir daños en el motor.

Tenga en cuenta: No tire del acelerador cuando arranque el motor.

8. Siga tirando la empuñadura de la cuerda de arranque hasta que el motor arranque o intente arrancar (realice un máximo de 5 tiros).
9. Si el motor arranca o intenta arrancar, presione el estrangulador a la posición de estrangulamiento media. (Fig. 50)
10. Siga tirando hasta que arranque el motor.
11. Sujete el mango trasero con la mano derecha y el mango delantero con la mano izquierda. (Fig. 51)
12. Tire inmediatamente de la protección contra reculadas hacia atrás en la dirección del mango delantero para desacoplar el freno de cadena. (Fig. 52)

Tenga en cuenta: Se moverá la cadena.

13. Haga funcionar el motor entre 20 y 30 segundos en un régimen de ralentí elevado.
14. Tire lenta y completamente del acelerador durante 8 a 10 segundos y suéltelo. (Fig. 53)
15. Haga funcionar el motor durante 10 segundos en un régimen de ralentí normal.
16. Tire lenta y completamente del acelerador durante 5 segundos para verificar la aceleración y suéltelo.
17. Utilice el producto.

Para arrancar un motor caliente

1. Mueva la protección contra reculadas hacia delante para accionar el freno de cadena.
2. Tire completamente del estrangulador.
3. Presione el bulbo de la bomba de combustible de aire 6 veces.
4. Presione el estrangulador completamente hacia abajo.
5. Mantenga el cuerpo del producto en el suelo con la mano izquierda.
6. Coloque su pie derecho a través del mango trasero.
7. Tire lentamente la empuñadura de la cuerda de arranque con la mano derecha hasta que sienta algo de resistencia.
8. Tire de la empuñadura de la cuerda de arranque con fuerza.



AVISO: No tire de la cuerda de arranque hasta que se detenga. No suelte la cuerda de arranque cuando esté totalmente extendida. Suelte la cuerda de arranque lentamente. Si no sigue

estas instrucciones, puede producir daños en el motor.

Tenga en cuenta: No tire del acelerador cuando arranque el motor.

9. Tire de la empuñadura de la cuerda de arranque hasta que el motor arranque.
10. Sujete el mango trasero con la mano derecha y el mango delantero con la mano izquierda.
11. Tire inmediatamente de la protección contra reculadas hacia atrás en la dirección del mango delantero para desacoplar el freno de cadena.



Tenga en cuenta: Se moverá la cadena.

12. Espere de 10 a 15 segundos.
13. Tire del acelerador ligeramente para establecer el ralentí normal.
14. Utilice el producto.

Para arrancar el motor cuando el combustible está demasiado caliente

Si el producto no arranca, el combustible puede estar demasiado caliente.

Tenga en cuenta: Siempre utilice combustible nuevo y disminuya el tiempo de funcionamiento durante clima cálido.

1. Coloque el producto en un área fresca lejos de la luz solar directa.
2. Permita que el producto se enfríe durante 20 minutos como mínimo.
3. Presione el bulbo de la bomba de combustible repetidamente entre 10 y 15 segundos.
4. Obedezca el procedimiento para arrancar un motor frío. Consulte *Para arrancar un motor frío en la página 28*.

Detener el motor

- Presione el interruptor de detención para detener el motor.

Tenga en cuenta: El interruptor de detención regresa automáticamente a su posición inicial.

Para talar un árbol

1. Retire del árbol suciedad, piedras, corteza desprendida, clavos, grapas y alambre.
2. Haga una muesca de 1/3 del diámetro del árbol de forma perpendicular a la dirección de la caída. (Fig. 54)
3. Haga el corte de muesca horizontal inferior. Esto evitará que la cadena de sierra o la espada guía

queden atrapadas cuando se haga la segunda muesca.

4. Haga el corte posterior de derribo (X) al menos 50 mm (2 pulg.) por encima de la línea horizontal del corte de la muesca. Mantenga el corte posterior de derribo en posición paralela a la línea horizontal del corte de la muesca para que haya madera suficiente que actúe a modo de bisagra. No corte a través de la bisagra. La madera de bisagra evita que el árbol se tuerza y caiga en la dirección incorrecta. (Fig. 55) (Fig. 56)
5. Conforme el corte posterior de derribo se acerca a la bisagra, el árbol comienza a caer. Asegúrese de que el árbol caerá en la dirección correcta y que no se balanceará hacia atrás y aplastará la cadena de sierra. Para evitar esto, detenga el corte antes de completar el corte posterior de derribo. Use cuñas de madera, plástico o aluminio para abrir el corte y dejar caer el árbol a lo largo de la línea de caída necesaria. (Fig. 57)
6. Cuando el árbol comience a caer, retire el producto del corte, apague el motor, ponga el producto en el suelo, y luego aléjese por la ruta de escape planificada. Tenga cuidado con la caída de las ramas situadas sobre usted y preocúpese de su posición. (Fig. 58)

Para desramar un árbol

1. Utilice las ramas más grandes para mantener el tronco despegado del suelo.
2. Retire las ramas pequeñas con un solo corte. (Fig. 59)
3. Corte las ramas que tienen tensión desde la parte inferior hasta la parte superior para evitar que se aplaste la cadena de sierra o la espada guía.

Para segmentar un tronco



AVISO: No permita que la cadena de sierra toque el suelo.

- Si el tronco está apoyado en toda su longitud, empiece a cortarlo por la parte de arriba (conocido como tronzado superior). (Fig. 60)
- Si el tronco está apoyado sobre uno de sus extremos, corte 1/3 del diámetro desde la parte de abajo (conocido como tronzado inferior). (Fig. 61)
- Si el tronco se apoya en ambos extremos, corte 1/3 del diámetro desde la parte de arriba. Complete el corte por medio del tronzado inferior de 2/3 del tronco hasta llegar al primer corte. (Fig. 62)
- Si tiene que realizar el tronzado de un tronco en una pendiente, siempre colóquese del lado cuesta arriba del tronco. Corte el tronco manteniendo un control total del producto y luego libere la presión hacia el final del corte mientras sujeta firmemente el mango trasero y el mango delantero. (Fig. 63)

Mantenimiento



ADVERTENCIA: Asegúrese de leer y comprender el capítulo de seguridad antes de limpiar, reparar o realizar el mantenimiento del producto.

Programa de mantenimiento

Asegúrese de cumplir con el programa de mantenimiento. Los intervalos se calculan a partir del uso diario del producto. Los intervalos son diferentes si no utiliza el producto todos los días. Realice solamente las tareas de mantenimiento que se encuentran en este manual. Hable con un centro de servicio aprobado acerca de los trabajos de mantenimiento que no aparezcan en este manual.

Mantenimiento diario

- Limpie las superficies externas.
- Asegúrese de que el bloqueo y el acelerador funcionen correctamente.
- Limpie el freno de cadena y compruebe que funcione como corresponde.

(Fig. 64)

- Examine el captor de cadena en busca de daños. Cambie el captor de cadena si está dañado.

(Fig. 65)

- Gire la espada guía a diario para que el desgaste sea más uniforme.
- Asegúrese de que el orificio de lubricación en la espada guía no esté obstruido.

(Fig. 66)

- Limpie la ranura de la espada guía.

(Fig. 67)

- Asegúrese de que la espada guía y la cadena de sierra obtienen suficiente aceite.
- Examine la cadena de sierra:
 - en busca de grietas en los remaches y los eslabones.
 - en busca de remaches y eslabones que presenten un desgaste fuera de lo normal.
 - en busca de la tensión correcta.

Si es necesario, reemplace la cadena de sierra.

- Afíle la cadena de sierra. Consulte *Para afilar la cadena de sierra en la página 31*.
- Examine el piñón de arrastre para verificar si presenta un desgaste excesivo y cámbielo si es necesario.

(Fig. 68)

- Limpie la toma de aire de la unidad de arranque.
- Asegúrese de que las tuercas y los tornillos estén apretados.

- Asegúrese de que el interruptor de parada funciona correctamente.
- Examine el motor, el depósito y las tuberías de combustible en busca de fugas de combustible.
- Asegúrese de que la cadena de sierra no gire cuando el motor está en ralentí.

Mantenimiento semanal

- Asegúrese de que el sistema refrigerante funciona correctamente.
- Asegúrese de que el motor de arranque, el cordón de arranque y el muelle de retorno funcionen correctamente.
- Asegúrese de que los aisladores de vibraciones no estén dañados.

(Fig. 69)

- Lime las rebabas de los bordes de la espada guía.
- Limpie o cambie la rejilla apagachispas del silenciador.

(Fig. 70)

- Limpie las superficies externas del carburador y sus zonas adyacentes.
- Limpie el filtro de aire. Instale un nuevo filtro de aire si está dañado o demasiado sucio para limpiarlo a fondo. Consulte *Para limpiar el filtro de aire en la página 31* para obtener más información.

Mantenimiento mensual

- Examine la cinta de freno en el freno de cadena en busca de desgaste. Cambie la cinta de freno cuando su grosor sea inferior a 0,6 mm (0,024 pulg.) en el punto de mayor desgaste.

(Fig. 71)

- Examine el centro, el tambor y el muelle de embrague para verificar si están desgastados.
- Limpie la bujía. Asegúrese de que la distancia entre los electrodos sea la correcta.

(Fig. 72)

- Limpie las superficies externas del carburador y sus zonas adyacentes.
- Examine el filtro de combustible y la manguera de combustible. Cámbiela si fuera necesario.
- Vacíe el depósito de combustible.
- Vacíe el depósito de aceite.
- Examine todos los cables y conexiones.

Mantenimiento anual

- Examine la bujía.
- Limpie las superficies externas del carburador y sus zonas adyacentes.
- Limpie el sistema de refrigeración.
- Examine la red apagachispas.

- Examine el filtro de combustible.
- Examine la manguera de combustible en busca de daños.
- Examine todos los cables y conexiones.

Mantenimiento intermitente

- Acuda a un centro de servicio autorizado para que reparen o reemplacen el silenciador después de 50 horas de funcionamiento.
- Realice mantenimiento a la bujía cuando:
 - el nivel de potencia del motor es bajo.
 - es difícil arrancar el motor.
 - el motor no funciona correctamente en régimen de ralentí.
- Compruebe la lubricación de la cadena de sierra cada vez que cargue combustible. Consulte *Para realizar una comprobación de la lubricación de la cadena de sierra en la página 32.*

Para ajustar el régimen de ralentí

Asegúrese de que el filtro de aire esté limpio y que la cubierta del filtro de aire esté instalada antes de ajustar el régimen de ralentí.

1. Gire el tornillo de ajuste de ralentí, identificado con una marca "T", en el sentido de las agujas del reloj hasta que la cadena de sierra comience a girar.
2. Gire el tornillo de ajuste de ralentí, identificado con una marca "T", en el sentido contrario de las agujas del reloj hasta que la cadena de sierra se detenga.
3. El régimen de ralentí debe ser inferior a la velocidad cuando la cadena de sierra comienza a girar. El régimen de ralentí es el correcto cuando el motor funciona correctamente en todas las posiciones.

Para limpiar la rejilla apagachispas

1. Use un cepillo de alambre para limpiar la rejilla apagachispas.

Para realizar tareas de mantenimiento en la bujía



AVISO: Utilice la bujía recomendada. Asegúrese de que la pieza de reemplazo sea la misma que la que proporcione el fabricante. Una bujía incorrecta puede causar daños al producto.

1. Si cuesta trabajo arrancar o hacer funcionar el producto, examine la bujía en busca de materiales no deseados. Para disminuir el riesgo de material no deseado en los electrodos de la bujía:
 - a) asegúrese de que el régimen de ralentí esté ajustado correctamente.
 - b) asegúrese de que la mezcla de combustible es la correcta.
 - c) asegúrese de que el filtro de aire esté limpio.

2. Limpie la bujía si está sucia. Asegúrese de que la distancia entre los electrodos sea la correcta. (Fig. 72)
3. Reemplace la bujía cuando sea necesario.

Para limpiar el filtro de aire

1. Quite la cubierta del filtro de aire y retire el filtro de aire.
2. Limpie el filtro de aire con agua jabonosa caliente. Asegúrese de que el filtro de aire esté seco antes de instalarlo.
3. Reemplace el filtro de aire si está demasiado sucio para limpiarlo completamente. Siempre reemplace un filtro de aire dañado.

Para afilar la cadena de sierra

La cortadora

La sección cortante de la cadena de sierra se denomina "cortadora" y consiste en un diente de corte (A) y el calibre de profundidad (B). La profundidad de corte de las cortadoras se determina por la diferencia en la altura de ambos elementos, esto es, el ajuste del calibre de profundidad (C).

(Fig. 73)

Cuando afile un diente de corte, deberá recordar cuatro factores importantes:

- Ángulo del limado.

(Fig. 74)

- Ángulo del corte.

(Fig. 75)

- Posición de la lima.

(Fig. 76)

- Diámetro de la lima redonda.

(Fig. 77)

Para afilar los dientes de corte

Use una lima redonda y un calibrador de afilado para afilar los dientes de corte. Consulte *Combinaciones de limado de la cadena de sierra y cadena de sierra en la página 35* para obtener información sobre las dimensiones recomendadas de la lima y el calibrador para la cadena de sierra instalada en su producto.

1. Asegúrese de que la cadena de sierra está correctamente tensada. Una cadena floja se moverá hacia los lados, por lo que será más difícil afilarla correctamente.
2. Afile todos los dientes de un lado en primer lugar. Lime los dientes de corte desde la cara interior y reduzca la presión en el movimiento de retorno.
3. Gire el producto y afile los dientes del otro lado.
4. Afile todos los dientes a la misma longitud. Cuando la longitud de los dientes de corte se reduce a 4 mm

(5/32 pulg.), la cadena de sierra estará gastada y se deberá cambiar. (Fig. 78)

Para ajustar el calibre de profundidad

Afile los dientes de corte antes de hacer el ajuste del calibre de profundidad. Consulte *Para afilar los dientes de corte en la página 31*. Al afilar el diente de corte (A), el ajuste del calibre de profundidad (C) disminuirá. Para mantener un rendimiento de corte óptimo, el calibre de profundidad (B) se tiene que limar hacia abajo para lograr el ajuste recomendado. Consulte *Combinaciones de limado de la cadena de sierra y cadena de sierra en la página 35* para conocer el ajuste correcto del calibre de profundidad de su cadena en particular.

(Fig. 79)

(Fig. 80)

Tenga en cuenta: Esta recomendación presupone que la longitud del diente de corte no se ha reducido de forma excesiva.

Utilice una lima plana y un calibrador de profundidad para ajustar el calibre de profundidad.

1. Ponga el calibrador de profundidad sobre la cadena de sierra. En el paquete del calibrador de profundidad se incluye información detallada sobre cómo utilizarlo.
2. Utilice la lima plana para limar la punta del calibre de profundidad que sobresale del calibrador de profundidad. El ajuste del calibre de profundidad es el correcto cuando ya no se siente resistencia a medida que se pasa la lima por el calibrador de profundidad.

Para tensar la cadena de sierra

Tenga en cuenta: Verifique la tensión de una nueva cadena de sierra con frecuencia durante su período de puesta en marcha.

1. Afloje las tuercas de la espada guía que sujetan la cubierta del embrague. Utilice la llave combinada. (Fig. 81)
2. Apriete las tuercas de la espada guía con la mano, lo más fuerte que pueda.

3. Levante la parte superior de la espada guía y extienda la cadena de sierra apretando el tornillo de tensado de cadena. Utilice la llave combinada. Apriete la cadena de sierra hasta que no cuelgue de la parte inferior de la espada guía. (Fig. 82)
4. Apriete las tuercas de la espada guía con una llave de combinación y levante la puntera de la espada guía al mismo tiempo. (Fig. 83)
5. Asegúrese de que puede hacer girar la cadena de sierra libremente con la mano y que no quede colgando. (Fig. 84)

Para lubricar el equipo de corte

Para realizar una comprobación de la lubricación de la cadena de sierra

Realice una comprobación de la lubricación de la motosierra cada vez que cargue combustible.

1. Arranque el producto y déjelo funcionar a 3/4 de la velocidad. Oriente la punta de la espada guía en una superficie de color claro retirada casi 20 cm (8 pulg.).
2. Después de 1 minuto de funcionamiento, se muestra una línea de aceite en la superficie clara.
3. Si no puede ver la línea de aceite después de 1 minuto, limpie el canal de aceite de la espada guía. Limpie la ranura en el reborde de la espada guía. Asegúrese de que el piñón de la punta de la espada guía gira libremente y de que no hay obstrucciones en el orificio de lubricación. Limpie y lubrique el piñón de la puntera.
4. Arranque el producto y déjelo funcionar a 3/4 de la velocidad. Oriente la punta de la espada en una superficie de color claro retirada casi 20 cm (8 pulg.).
5. Después de 1 minuto de funcionamiento, se muestra una línea de aceite en la superficie clara.
6. Si no puede ver la línea de aceite después de 1 minuto, comuníquese con su concesionario autorizado.

Transporte

- Durante el transporte, ponga la protección para transportes en el equipo de corte a fin de evitar lesiones.
- Asegúrese de que el producto no se mueva durante el transporte.

Almacenamiento

- Siempre almacene el producto de forma segura cuando no esté en funcionamiento. Las fugas y los gases de escape del producto pueden entrar en contacto con chispas, llamas de los equipos eléctricos, cortacésped eléctricos, relevadores/interruptores, calderas y mucho más.
- Siempre almacene el combustible en un recipiente aprobado.

- Si el producto se va a almacenar durante largos periodos de tiempo, vacíe los depósitos de combustible y de aceite para cadena. Deseche los líquidos usados correctamente.
- Durante el almacenamiento, ponga la protección para transportes en el equipo de corte a fin de prevenir lesiones.
- Retire el sombrerete de bujía de la bujía y acople el freno de cadena antes del almacenamiento.

Datos técnicos

	unidad	120 (P02138HV)
Especificaciones del motor		
Cilindrada	cm ³	38
Bujía		Champion RCJ7Y
Distancia entre los electrodos	mm (pulg.)	0,5 (0,02)
Volumen del depósito de combustible	cm ³	300
Régimen de ralentí	min ⁻¹	2800-3200
Potencia de salida en 9000 min ⁻¹	kW	1,4
Período de durabilidad de las emisiones	h	50
Datos de ruido y vibración		
Niveles de vibración equivalentes, un $_{hveq}$ en mango delantero ⁶	m/s ²	5,3
Niveles de vibración equivalentes, un $_{hveq}$ en mango trasero ⁷	m/s ²	6,7
Nivel de potencia acústica, (L_{WA}) garantizada ⁸	dB (A)	116
Nivel de potencia acústica, medido ⁹	dB (A)	113
Nivel de presión acústica en el oído del operador ¹⁰	dB (A)	100
Dimensiones del producto		
Peso (sin incluir el equipo de corte)	kg	4,9
Volumen del depósito de aceite	cm ³	200
Combustible y sistema de lubricación		
Capacidad de la bomba de aceite en 9000 min ⁻¹	ml/min	7
Volumen del depósito de aceite	cm ³	200
Tipo de bomba de aceite		Automática

⁶ El nivel de vibración equivalente, de acuerdo con la norma ISO 22867, se calcula como el total de energía de tiempo ponderado para diferentes niveles de vibración bajo diversas condiciones de trabajo. Los datos informados para nivel de vibración equivalente tienen una dispersión estadística típica (desviación estándar) de 1 m/s².

⁷ El nivel de vibración equivalente, de acuerdo con la norma ISO 22867, se calcula como el total de energía de tiempo ponderado para diferentes niveles de vibración bajo diversas condiciones de trabajo. Los datos informados para nivel de vibración equivalente tienen una dispersión estadística típica (desviación estándar) de 1 m/s².

⁸ Las emisiones sonoras en el medioambiente se miden como potencia acústica (L_{WA}).

⁹ Las emisiones sonoras en el medioambiente se miden como potencia acústica (L_{WA}).

¹⁰ El nivel de presión acústica equivalente se calcula como el total de energía de tiempo ponderado para diferentes niveles de presión acústica bajo diversas condiciones de trabajo. La dispersión estadística típica para el nivel de presión acústica equivalente es una desviación estándar de 1 dB(A).

	unidad	120 (P02138HV)
Cadena de sierra y espada guía		
Longitud de la espada guía estándar	cm (pulg.)	35-40 (14-16)
Longitudes de la espada recomendadas	cm (pulg.)	35-45 (14-18)
Longitud de corte utilizable	cm (pulg.)	34-39 (13,5-15,5)
Velocidad máxima de la cadena de sierra	m/s	22,3
Paso de la cadena de sierra	mm (pulg.)	8,3 (0,325)
		9,52 (3/8)
Espesor de los eslabones de arrastre (calibrador)	mm (pulg.)	1,3 (0,05)
Tipo de piñón de arrastre		Spur
Número de dientes del piñón de arrastre		6 (piñón de arrastre 3/8)
		7 (piñón de arrastre 0,325)

Accesorios

Combinaciones de cadena de sierra y espada guía

Los equipos de corte que se indican a continuación están homologados para el producto.

Espada guía				Cadena de sierra	
Longitud, cm (pulg)	Paso, mm (pulg)	Calibrador, mm (pulg)	Radio máx. de la punta	Tipo	Conteo de eslabones de arrastre
35 (14)	9,52 (3/8)	1,3 (0,050)	7T	Husqvarna S93G	52
40 (16)	9,52 (3/8)			Husqvarna H37	56
45 (18)	9,52 (3/8)				62

Combinaciones de limado de la cadena de sierra y cadena de sierra



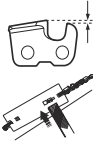


					
H37	4,0 mm (5/32 pulg.)	579 65 36-01	0,65 mm (0,025 pulg.)	30°	80°
S93G	4,0 mm (5/32 pulg.)	587 80 90-01	0,65 mm (0,025 pulg.)	30°	60°

Table des matières

Introduction.....	36	Transport.....	47
Sécurité.....	37	Entreposage.....	47
Montage.....	41	Données techniques.....	48
Fonctionnement.....	42	Accessoires.....	49
Entretien.....	44		

Introduction

Manuel d'utilisation

La langue initiale de ce manuel de l'opérateur est l'anglais. Les manuels de l'utilisateur fournis dans d'autres langues sont des traductions de l'anglais.

Présentation du produit

(Fig. 1)

1. Plaque de l'outil et de numéro de série
2. Dispositif de verrouillage de la gâchette
3. Poignée avant
4. Couverture de vérin
5. Frein de chaîne et protège-main avant
6. Silencieux
7. Pignon du nez de guide-chaîne
8. Protège-main droit
9. Gâchette
10. Carter du pignon
11. Attrape-chaîne
12. Guide-chaîne
13. Chaîne
14. Poignée du lanceur
15. Réservoir d'huile à chaîne
16. Démarreur
17. Réservoir de carburant
18. Commande de l'étrangleur
19. Poignée arrière
20. Interrupteur d'arrêt
21. Vis de réglage du ralenti
22. Poire d'amorçage
23. Autocollant d'information et d'avertissement
24. Vis de réglage de tension de la chaîne
25. Capot du guide-chaîne
26. Outil à usages multiples
27. Manuel d'utilisation

Avertissement relatif aux produits chimiques



AVERTISSEMENT : Les gaz d'échappement du moteur de cet appareil, certains de ses constituants et certains composants du véhicule contiennent ou émettent des substances chimiques considérées par l'état de la Californie comme cancérogènes et capables de causer des malformations congénitales ou autres effets nuisibles sur les organes reproducteurs.



AVERTISSEMENT : Les cosses et les bornes de la batterie, ainsi que les accessoires connexes, contiennent du plomb et des composés de plomb, des produits chimiques reconnus par l'État de la Californie comme pouvant causer des cancers, des malformations du fœtus ou tout autre problème lié à la reproduction. Lavez-vous les mains après la manipulation.

Symboles figurant sur l'outil

- (Fig. 2) Avertissement
- (Fig. 3) Lire attentivement ce manuel
- (Fig. 4) Utiliser un dispositif de protection pour la tête, des protège-oreilles et des lunettes de protection
- (Fig. 5) Utiliser des gants de protection homologués
-

- (Fig. 6) L'outil est conforme aux directives européennes en vigueur
- (Fig. 7) Niveau de puissance acoustique
- (Fig. 8) Frein de chaîne, non engagé (gauche).
Frein de chaîne, engagé (droite)
- (Fig. 9) Commande de l'étrangleur
- (Fig. 10) Poire d'amorçage
- (Fig. 11) Ravitaillement en carburant.
- (Fig. 12) Remplissage de l'huile à chaîne
- (Fig. 13) L'outil est conforme aux directives européennes en vigueur
- (Fig. 14) L'outil est conforme aux directives ukrainiennes en vigueur
- (Fig. 15) Niveau de bruit
- (Fig. 16) Tenir l'outil correctement avec les deux mains
- (Fig. 17) Ne pas manipuler l'outil d'une seule main
- (Fig. 18) Éviter tout contact avec le bout du guide-chaîne

- (Fig. 19) Faire attention aux rebonds
- (Fig. 20) Cet outil est conforme aux directives de compatibilité électromagnétique de l'Australie et de la Nouvelle-Zélande

Remarque : Les autres symboles/autocollants présents sur l'outil renvoient aux exigences en matière de certification pour d'autres zones commerciales.

Responsabilité concernant le produit

Comme indiqué dans les lois en vigueur sur la responsabilité concernant les produits, nous ne serons pas tenus responsables des dommages que notre produit causerait dans les situations suivantes :

- Le produit n'est pas réparé de façon adéquate.
- Le produit est réparé avec des pièces qui ne sont pas fournies ou homologuées par le fabricant.
- Le produit comprend un accessoire qui n'est pas fourni ou homologué par le fabricant.
- Le produit n'est pas réparé par un centre de service après-vente agréé ou par une autorité homologuée.

Sécurité

Définitions relatives à la sécurité

Les définitions ci-dessous indiquent le niveau de gravité pour chaque mot signal.



AVERTISSEMENT : Blessures aux personnes.



MISE EN GARDE : Dommages causés à l'outil.

Remarque : Cette information facilite l'utilisation de l'outil.

Consignes générales de sécurité

- Utiliser l'outil correctement. Des blessures graves ou mortelles peuvent résulter d'une utilisation non adéquate. Utiliser l'outil seulement pour les tâches décrites dans le présent manuel. Ne pas utiliser cet outil pour d'autres tâches.
- Lire, comprendre et respecter les instructions de ce manuel. Respecter les symboles et les instructions de sécurité. Si l'opérateur ne respecte pas les instructions et les symboles, il pourrait en résulter des blessures, des dommages ou la mort.
- Ne pas jeter ce manuel. Utiliser les instructions pour assembler l'outil, le faire fonctionner et le conserver

en bon état. Suivre les instructions pour l'installation correcte des équipements et accessoires. Utiliser uniquement des pièces et accessoires homologués.

- Ne pas utiliser l'outil s'il est endommagé. Respecter le calendrier d'entretien. N'effectuer que les travaux d'entretien prescrits dans ce manuel. Un centre agréé doit effectuer tous les autres travaux d'entretien.
- Ce manuel ne décrit pas toutes les situations qui peuvent se produire lorsqu'on utilise l'outil. Rester prudent et faire preuve de bon sens. Ne pas faire fonctionner l'outil ni effectuer un entretien sur l'outil si vous n'êtes pas sûr de la situation. Pour obtenir plus d'information, s'adresser à un spécialiste de l'outil, à votre revendeur, à un atelier de réparation ou à un centre de service après-vente agréé.
- Débrancher le câble d'allumage avant d'installer, de stocker ou de procéder à l'entretien de l'outil.
- Ne pas utiliser l'outil si des modifications contraires à ses caractéristiques initiales y ont été apportées. Ne pas modifier une partie de l'outil sans l'approbation du fabricant. Utiliser seulement des pièces homologuées par le fabricant. Des blessures graves ou mortelles peuvent résulter d'un entretien non adéquat.
- Ne pas inhaler les vapeurs d'échappement du moteur. L'inhalation de gaz d'échappement, d'émanations d'huile de chaîne et de poussière de copeaux sur une longue période peut présenter un risque pour votre santé.

- Ne pas démarrer l'outil dans un local clos ou à proximité de matériaux inflammables. Les gaz d'échappement sont très chauds et peuvent contenir des étincelles qui peuvent causer un incendie. En l'absence d'une circulation d'air suffisante, le monoxyde de carbone peut entraîner des blessures ou la mort par asphyxie.
- Cet outil émet un champ électromagnétique pendant son fonctionnement. Le champ électromagnétique peut endommager les implants médicaux. Parler à votre médecin et au fabricant de l'implant avant d'utiliser l'outil.
- Ne pas laisser un enfant utiliser l'outil.
- Ne laisser personne utiliser l'outil sans connaître les instructions.
- Toujours surveiller les personnes qui ont des capacités physiques ou mentales réduites et qui utilisent l'outil. Un adulte responsable doit être présent à tout moment.
- Ranger l'outil dans un endroit verrouillé auquel les enfants et les personnes non autorisées ne peuvent pas accéder.
- L'outil peut projeter des objets et causer des blessures. Respecter les consignes de sécurité afin de réduire le risque de blessures graves ou mortelles.
- Ne pas s'éloigner de l'outil lorsque le moteur est sous tension. Arrêter le moteur et vérifier que la chaîne ne tourne pas.
- Tout accident avec cet outil engage la responsabilité de l'opérateur.
- Avant d'utiliser l'outil, vérifier que les pièces ne sont pas endommagées.
- Consulter les lois nationales ou locales. Elles peuvent interdire ou limiter l'utilisation de l'outil dans certaines conditions.

Consignes de sécurité pour l'utilisation

- L'utilisation continue ou fréquente de l'outil peut entraîner le syndrome du doigt mort ou d'autres problèmes médicaux équivalents à cause des vibrations. Examiner souvent l'état de vos mains et de vos doigts si l'outil est utilisé de façon continue ou fréquente. Si vos mains ou vos doigts présentent une décoloration, sont douloureux, picotent ou sont engourdis, cesser de travailler et consulter un médecin immédiatement.
- Vérifier que l'outil est entièrement assemblé avant de l'utiliser.
- L'outil peut provoquer des projections d'objets, ce qui peut causer des dommages aux yeux. Toujours porter des lunettes de protection homologuées lors de l'utilisation de l'outil.
- Si un enfant se trouve à proximité, faire preuve de prudence lors de l'utilisation de l'outil.
- Ne pas faire fonctionner l'outil s'il y a des personnes dans la zone de travail. Arrêter l'outil si une personne passe dans la zone de travail.

(Fig. 21)

- S'assurer de toujours garder le contrôle de l'outil.
- L'outil doit être utilisé avec les deux mains. Ne pas utiliser l'outil d'une seule main. L'utilisation d'une seule main peut causer des blessures graves à l'opérateur, aux autres travailleurs et aux personnes à proximité.
- Saisir la poignée avant avec la main gauche et la poignée arrière avec la main droite. Tenir l'outil sur le côté droit du corps.

(Fig. 22)

- Ne pas utiliser l'outil si vous êtes fatigué, malade ou sous l'emprise de l'alcool ou d'une drogue.
- Ne pas utiliser l'outil s'il n'est pas possible de recevoir de l'aide en cas d'accident. Avertir les personnes à proximité avant d'utiliser l'outil.
- Ne pas tourner avec l'outil sans s'assurer préalablement qu'aucune personne ni aucun animal ne se trouve dans la zone de sécurité.
- Retirer tous les matériaux indésirables de la zone de travail avant de commencer. Si la chaîne heurte un objet, celui-ci peut être projeté et entraîner des blessures ou des dommages. Des matériaux indésirables peuvent s'enrouler autour de la chaîne et causer des dommages.
- Ne pas utiliser l'outil par mauvais temps (brouillard, pluie, vent violent, risque d'éclair ou autres conditions climatiques défavorables). Les conditions de travail peuvent devenir dangereuses (par ex. surfaces glissantes) à cause des intempéries.
- S'assurer qu'on peut se déplacer librement et travailler dans une position stable.
- Vérifier qu'il n'y a pas de risque de chute lors de l'utilisation l'outil. Ne pas incliner l'outil lors de son utilisation.
- Toujours tenir l'outil des deux mains. Saisir la poignée avant avec la main gauche et la poignée arrière avec la main droite. Tenir l'outil sur le côté droit du corps.
- La chaîne commence à tourner si la commande est en position de starter lorsque le moteur démarre.
- Arrêter le moteur avant de déplacer l'outil.
- Ne pas déposer l'outil alors que le moteur est en marche.
- Avant de retirer les matériaux indésirables logés dans l'outil, arrêter le moteur. Laisser la chaîne s'immobiliser avant de retirer ou de faire retirer le matériau coupé.
- Ne pas utiliser l'outil alors que vous vous trouvez dans un arbre. Cela pourrait causer des blessures.

(Fig. 23)

- Le frein de chaîne doit être en fonction lors du démarrage de l'outil afin de réduire le risque que la chaîne vous touche lors du démarrage.

(Fig. 24)

- Un rebond peut causer des blessures graves, ou même mortelles, à l'utilisateur et à d'autres

personnes. Pour réduire le risque, il est nécessaire de connaître les causes du rebond et de savoir comment l'éviter.

- Respecter toutes les instructions de sécurité en tout temps afin de réduire le risque de rebond et d'autres mouvements qui peuvent causer des blessures graves, voire mortelles.
- Régler régulièrement la tension de la chaîne afin de s'assurer qu'elle est correctement tendue. Une chaîne qui n'a pas la bonne tension peut sauter et causer des blessures graves, voire mortelles.
- Ne pas abattre un arbre sans suivre la procédure indiquée. Cela pourrait causer des blessures, frapper une ligne de services publics ou entraîner des dommages matériels.
- L'opérateur doit se tenir en amont sur le terrain, car l'arbre pourrait rouler ou glisser vers le bas après sa chute.

(Fig. 25)

- Planifier et préparer une voie de retraite avant de commencer à couper. Votre voie de retraite doit être à environ 135 degrés à l'écart du sens de chute.
 - 1. La zone de danger
 - 2. La voie de retraite
 - 3. Le sens de chute

(Fig. 26)

- Toujours arrêter le moteur avant de déplacer l'outil.
- Bien planter ses pieds au sol et répartir son poids uniformément.

(Fig. 27)

- Faire fonctionner l'outil uniquement lorsque la position de vos pieds est stable. Sans cette stabilité, l'utilisation de l'outil peut entraîner des blessures graves, ou même mortelles, à l'utilisateur et à d'autres personnes. Ne pas utiliser l'outil perché sur une échelle ou un arbre.

(Fig. 28)

Effet de recul, patinage, rebond et chute

Différentes forces peuvent avoir un effet sur le contrôle de l'outil.

- Le **patinage** se produit lorsque le guide-chaîne se déplace rapidement dans la pièce de bois.
- Le **rebond** se produit lorsque le guide-chaîne se soulève (n'est plus en contact avec la pièce de bois), puis touche la pièce de bois encore et encore.
- La **chute** se produit lorsque l'outil tombe une fois la coupe effectuée. Ces situations peuvent causer un contact entre la chaîne en mouvement et une partie du corps ou d'autres objets, occasionnant des blessures ou des dommages.
- Le **recul** se produit lorsque l'extrémité du guide-chaîne entre en contact avec des objets et se déplace vers l'arrière, vers le haut ou brusquement vers l'avant. Le recul peut se produire également lorsque le bois se referme et coince la chaîne lors de

la découpe. Une perte de contrôle se produit si l'outil touche un objet en bois.

(Fig. 29)

- L'**effet de rebond rotatif** peut se produire lorsque la chaîne en mouvement entre en contact avec un objet sur le haut du guide-chaîne. Cela peut occasionner le coincement de la chaîne dans l'objet et causer l'arrêt immédiat de celle-ci. Le résultat est une réaction inverse très rapide, qui déplace le guide-chaîne vers le haut, vers l'arrière et en direction de l'opérateur.

(Fig. 30)

(Fig. 31)

- L'**effet de rebond linéaire** peut se produire quand la chaîne s'arrête brusquement lors de la découpe. La pièce de bois se referme et coince la chaîne en mouvement sur le haut du guide-chaîne. L'arrêt brusque de la chaîne inverse la force de celle-ci et cause le déplacement de l'outil dans le sens opposé à la rotation de la chaîne. L'outil se déplace vers l'arrière en direction de l'opérateur.

(Fig. 32)

- Le **coincement** peut se produire quand la chaîne s'arrête brusquement lorsque la chaîne en mouvement heurte un objet dans le bois sur le bas du guide-chaîne. L'arrêt brutal tire l'outil vers l'avant et loin de l'opérateur, ce qui peut facilement causer une perte de contrôle de l'outil par l'opérateur.

(Fig. 33)

Veiller à bien comprendre les différentes forces et comment les éviter avant d'utiliser l'outil.

Prévention des reculs, du patinage, des rebonds et des chutes

- Lorsque le moteur tourne, toujours tenir fermement l'outil. Garder la main droite sur la poignée arrière et la main gauche sur la poignée avant. Maintenir fermement l'outil en fermant les pouces et les doigts sur les poignées. Ne pas lâcher la tronçonneuse.
- Garder le contrôle de l'outil lors de la coupe et une fois la pièce de bois tombée au sol. Ne pas laisser tomber l'outil une fois la coupe effectuée. (Fig. 34)
- S'assurer que la zone où la découpe est effectuée est exempte de sources de blocage. Ne pas laisser le nez du guide-chaîne toucher une bille, une branche ou d'autres obstacles lors de l'utilisation de l'outil.
- Découper à régime moteur élevé.
- Ne jamais couper à une hauteur supérieure à celle des épaules. (Fig. 35)
- Respecter les instructions du fabricant pour l'affûtage de la chaîne et l'entretien de la tronçonneuse.
- Utiliser uniquement les guide-chaîne et les chaînes indiqués par le fabricant.

- Le risque de rebond s'accroît si la jauge de profondeur est réglée trop grande.

Équipement de protection personnelle

- Toujours employer un équipement de protection personnelle approprié lors de l'utilisation de l'outil. L'équipement de protection personnelle ne supprime pas le risque de blessures. L'équipement de protection personnelle réduit la gravité des blessures en cas d'accident.
- En règle générale, porter des vêtements ajustés qui ne risquent pas de gêner les mouvements.
- Utiliser un casque de protection approuvé.
- Toujours utiliser un dispositif de protection homologué pour les oreilles lors de l'utilisation de l'outil. Le fait d'entendre un bruit pendant une longue période peut engendrer une perte d'audition.
- Utiliser des lunettes de protection ou une visière faciale afin de réduire le risque de blessure due à une projection d'objets. L'outil peut projeter des objets (copeaux, petits morceaux de bois, etc.) à grande vitesse. Il peut en résulter des blessures graves, en particulier aux yeux.
- Utiliser des gants de protection pour tronçonneuse.
- Utiliser des pantalons avec protection pour tronçonneuse.
- Utiliser des bottes de protection pour tronçonneuse à embout en acier et semelles antidérapantes.
- Vérifier qu'on dispose d'une trousse de premiers soins à proximité.
- Des étincelles peuvent être produites par le silencieux, le guide-chaîne, la chaîne et d'autres sources. Toujours garder un extincteur et une pelle pour éviter les feux de forêt.

Dispositifs de protection sur le produit

- Faire régulièrement l'entretien sur le produit.
 - Cette précaution augmente la durée de vie utile du produit.
 - Cette précaution réduit le risque d'accident.

Communiquer régulièrement avec un concessionnaire agréé ou à un centre de service après-vente agréé d'examiner le produit pour effectuer les réglages et les réparations.

- Ne pas utiliser un produit avec un équipement de protection endommagé. Si le produit est endommagé, communiquer avec un centre de service après-vente agréé.

Interrupteur d'arrêt

Démarrer le moteur. Vérifier que le moteur s'arrête lorsque l'interrupteur est réglé à la position d'arrêt.

Examen du dispositif de verrouillage de la gâchette

1. Vérifier que la gâchette (B) est verrouillée à la position de ralenti au moment de relâcher le dispositif de verrouillage de la gâchette (A). (Fig. 36)

2. Appuyer sur le dispositif de verrouillage de la gâchette (A) et s'assurer qu'il retourne à sa position initiale lorsqu'il est relâché.
3. Appuyer sur la gâchette (B) et s'assurer qu'elle revient à sa position initiale lorsqu'elle est relâchée.
4. Démarrer le moteur et le faire tourner à plein régime.
5. Relâcher la gâchette et vérifier que la chaîne s'arrête.
6. Si la chaîne tourne alors que le moteur est au ralenti, vérifier la vis de réglage du ralenti.

Protecteur

Le protecteur empêche que des objets ne soient éjectés vers de l'opérateur. Le protecteur empêche également le contact accidentel entre l'opérateur et la chaîne.

- S'assurer que le protecteur convient selon l'outil utilisé.
- Ne pas utiliser l'outil sans le protecteur.
- S'assurer que le protecteur n'est pas endommagé. Remplacer le protecteur s'il est usé ou fissuré.

Sécurité – carburant

- Ne pas démarrer l'outil s'il y a du carburant ou de l'huile moteur sur l'outil. Nettoyer le carburant ou l'huile et laisser sécher l'outil. Nettoyer tout carburant qui souille l'outil.
- Si du carburant se déverse sur les vêtements, changer immédiatement de vêtement.
- Ne pas déverser du carburant sur le corps; cela pourrait causer des blessures. Si du carburant se déverse sur le corps, se nettoyer au savon doux et à l'eau.
- Ne pas démarrer le moteur si de l'huile ou du carburant se renverse sur l'outil ou sur le corps.
- Ne pas démarrer l'outil si le moteur présente une fuite. Vérifier régulièrement le moteur à la recherche de fuites.
- Faire preuve de prudence lors de la manipulation du carburant. Celui-ci est inflammable et ses vapeurs sont explosives et peuvent causer des blessures ou la mort.
- Ne pas respirer les vapeurs de carburant, car elles peuvent causer des blessures. Vérifier que la ventilation est suffisante.
- Ne pas fumer à proximité du carburant ou du moteur.
- Ne pas placer des objets chauds à proximité du carburant ou du moteur.
- Ne pas faire le plein de carburant lorsque le moteur tourne.
- Vérifier que le moteur est froid avant de faire le plein.
- Avant de faire le plein, ouvrir lentement le couvercle du réservoir de carburant et relâcher la pression avec précaution.
- Ne pas faire le plein dans une pièce fermée. Un débit d'air insuffisant peut entraîner des blessures ou

la mort en raison d'une asphyxie ou du monoxyde de carbone.

- Serrer le couvercle du réservoir de carburant avec précaution, car un feu pourrait se déclencher.
- Avant de démarrer l'outil, le déplacer à au moins 3 m (10 pi) de la position où le plein de carburant a été fait.
- Ne pas mettre trop de carburant dans le réservoir de carburant.
- Vérifier qu'une fuite ne peut se produire lorsqu'on déplace l'outil ou le bidon d'essence.
- Ne pas placer l'outil ou un bidon d'essence dans un espace où il y a une flamme nue, des étincelles ou une veilleuse. Vérifier que la zone de stockage ne contient pas de flamme nue.
- Utiliser seulement des conteneurs agréés pour transporter ou stocker le carburant.
- Vider le réservoir de carburant avant de le remettre pour une période prolongée. Toujours respecter la législation locale sur la façon de mettre le carburant au rebut.
- Nettoyer l'outil avant de le remettre pour une période prolongée.
- Débrancher le câble d'allumage avant de remettre l'outil, afin de s'assurer que le moteur ne démarre pas par inadvertance.

Consignes de sécurité pour la maintenance

- Débrancher la bougie d'allumage avant d'effectuer l'entretien de l'outil, sauf pour le réglage du carburateur.
- Confier l'entretien de l'outil à un concessionnaire agréé, sauf pour les tâches décrites dans *Entretien à la page 44*.
- S'assurer que la tronçonneuse s'immobilise lorsque la gâchette est relâchée.

- Maintenir les poignées sèches, propres et exemptes d'huile ou de mélange de carburant.
- Garder les bouchons et les fixations bien serrés.
- L'utilisation de pièces de rechange qui ne sont pas approuvées et le retrait des dispositifs de sécurité peuvent endommager l'outil. Cela peut également causer des blessures à l'opérateur et aux personnes à proximité. Utiliser seulement les accessoires et pièces de rechange d'origine recommandés. Ne pas modifier l'outil.
- Garder la chaîne affûtée et propre pour une utilisation sûre et un bon rendement.
- Respecter les instructions concernant la lubrification et le changement des accessoires.
- Vérifier que l'outil ne comporte pas de pièces endommagées. Avant d'utiliser l'outil, s'assurer que la pièce ou le dispositif de protection endommagé fonctionne correctement. Inspecter l'outil à la recherche de pièces brisées, mal alignées ou qui ne bougent pas librement. Inspecter l'outil et l'aire de travail à la recherche de conditions qui pourraient avoir une influence sur le fonctionnement de l'outil. S'assurer que l'outil est monté correctement. Toute pièce ou tout dispositif de protection endommagé doit être réparé ou remplacé par un revendeur agréé, sauf indication contraire dans le manuel d'utilisation.
- Lorsqu'il n'est pas en fonctionnement, garder l'outil dans un endroit sec, surélevé ou verrouillé à l'épreuve des enfants.
- Pour le transport ou l'entreposage de l'outil, utiliser une protection spéciale ou un coffre.
- Ne pas utiliser de l'huile usagée. L'utilisation d'huile usagée peut constituer un danger pour les humains et causer des dommages à l'outil et à l'environnement.

Montage



AVERTISSEMENT : Lire et comprendre le chapitre sur la sécurité avant d'assembler le produit.

Montage du guide-chaîne et de la chaîne

1. Retirer le capuchon de la bougie d'allumage pendant l'assemblage pour éviter un démarrage accidentel.
2. Retirer les écrous du guide-chaîne et le carter du pignon. Retirer le fourreau de transport (A). (Fig. 37)
3. Placer le guide-chaîne au-dessus des vis du guide. Diriger le guide-chaîne vers l'arrière jusqu'au bout. (Fig. 38)
4. Enfiler des gants de protection pour tronçonneuse.
5. Soulever la chaîne au-dessus du pignon d'entraînement et l'engager dans la rainure du guide-chaîne. Commencer par le dessus du guide-chaîne. (Fig. 39)
6. S'assurer que les bords des maillons de coupe sont tournés vers l'avant sur le dessus du guide-chaîne.
7. Monter le carter du pignon et diriger le goujon de tension de la chaîne dans le trou du guide-chaîne.
8. S'assurer que les maillons de la chaîne s'ajustent correctement sur le pignon d'entraînement. S'assurer également que la chaîne est bien engagée dans la rainure du guide-chaîne.
9. Serrer les écrous du guide-chaîne avec vos doigts.
10. Serrer la chaîne en tournant la vis de réglage de tension de la chaîne dans le sens horaire à l'aide de la clé à usages multiples. (Fig. 40). Serrer la chaîne jusqu'à ce qu'elle ne pende plus sous le guide-

chaîne, mais que vous puissiez la tourner facilement à la main. (Fig. 41)

11. Maintenir l'extrémité du guide-chaîne et serrer les écrous du guide-chaîne à l'aide de la clé à usages multiples. (Fig. 42)

- Examiner fréquemment la tension de la chaîne après l'installation d'une chaîne neuve et jusqu'à ce que celle-ci soit rodée.
- Vérifier régulièrement la tension de la chaîne. Un bon réglage de la tension de la chaîne a pour résultat une bonne performance de coupe et une longue durée de vie.

Réinitialisation du frein de chaîne

Si le couvercle de l'embrayage est accidentellement retiré alors que le frein de chaîne est activé, celui-ci devra être désactivé pour permettre de monter le couvercle sans coincer le tambour d'embrayage.



MISE EN GARDE : Le ressort du frein de chaîne est sous tension. Faire attention lors du rétablissement du frein.

Remarque : Ne pas tenir le ruban de freinage lors de sa réinitialisation.

1. Aligner les encoches de l'outil multifonction de sorte qu'elles couvrent le maillon de rotation de la chaîne. (Fig. 43)
2. Pour rétablir le frein, tourner le maillon dans le sens horaire jusqu'à ce qu'il s'arrête. Le maillon avant sera en position abaissée lorsque le frein de chaîne est désactivé. (Fig. 44) (Fig. 45)

Fonctionnement



AVERTISSEMENT : Lire et comprendre le chapitre sur la sécurité avant d'utiliser l'outil.

Utilisation du carburant



MISE EN GARDE : Cet outil est équipé d'un moteur deux-temps. Utiliser un mélange d'essence et d'huile à moteur deux-temps. Prendre soin de verser la bonne quantité d'huile dans le mélange. Un mauvais rapport essence/huile peut endommager le moteur.

Mélange de carburant.

Le rapport essence/huile du mélange de carburant pour un moteur deux-temps est de 50:1 (2 %)

Essence	Huile pour moteur deux-temps
1 gal US	77 ml (2,6 oz)
1 gal UK	95 ml (3,2 oz)
5 l	100 ml (3,4 oz)

Mélange de carburant

1. Déterminer la bonne quantité d'essence et d'huile moteur (ratio de mélange 50:1). Ne pas préparer une quantité de mélange de carburant pour plus de 30 jours. Voir *Utilisation du carburant à la page 42*
2. Verser la moitié de la quantité d'essence dans un bidon d'essence comportant un robinet antidéversement.



MISE EN GARDE : Ne pas utiliser de l'essence ayant une concentration d'éthanol supérieure à 10 % (E10). Cela pourrait endommager l'outil.



MISE EN GARDE : Ne pas utiliser d'essence à indice d'octane inférieur à 90 RON (87 AKI). Cela pourrait endommager l'outil.

Remarque : Utiliser de l'essence à taux d'octane supérieur si vous utilisez fréquemment l'outil à régime moteur élevé en permanence.

3. Verser la quantité totale d'huile à moteur deux-temps dans le bidon d'essence.



MISE EN GARDE : Toujours utiliser de l'huile pour moteur temps refroidi à l'air de haute qualité. Les autres types d'huile pourraient endommager l'outil.

4. Agiter le mélange de carburant pour le mélanger.
5. Verser la quantité restante d'essence dans le bidon.
6. Agiter le mélange de carburant pour le mélanger.
7. Remplir le réservoir de carburant de l'outil avec le mélange de carburant. Voir *Utilisation du carburant à la page 42*.

Remplissage du réservoir de carburant

1. S'assurer que le mélange de carburant est correct et qu'il est dans un bidon d'essence comportant un robinet antidéversement.
2. S'il y a un peu de carburant sur le bidon, le nettoyer et laisser sécher le bidon.

- Vérifier que le couvercle du réservoir de carburant est propre.
- Retirer le couvercle du réservoir de carburant.
- Agiter le bidon avant de verser le mélange de carburant dans le réservoir.
- Remettre le couvercle du réservoir de carburant.

Lubrification de la chaîne de la tronçonneuse

La tronçonneuse comporte un circuit de lubrification automatique. Le réservoir d'huile à chaîne et le réservoir de carburant sont positionnés de telle façon que le carburant passe avant l'huile à chaîne. Cette caractéristique de sécurité requiert l'utilisation de l'huile de chaîne prescrite et le respect des consignes.

- Utiliser une huile à chaîne végétale ou standard.
- S'assurer que la zone près du bouchon du réservoir d'huile à chaîne est propre.
- Retirer le bouchon du réservoir d'huile à chaîne.
- Remplir le réservoir avec l'huile à chaîne recommandée.
- Remettre le bouchon du réservoir d'huile à chaîne.

Démarrage et arrêt

Avant de démarrer le moteur

- Inspecter l'outil pour détecter les pièces manquantes, endommagées, desserrées ou usées.
- Vérifier les écrous, les vis et les boulons.
- Vérifier le filtre à air.
- Vérifier le bon fonctionnement de la gâchette et de son dispositif de verrouillage.
- Vérifier le bon fonctionnement de l'interrupteur d'arrêt.
- Vérifier s'il y a des fuites de carburant.
- Vérifier l'affûtage et la tension de la chaîne.

Démarrage d'un moteur froid

- Pousser le protège-main avant vers l'avant pour engager le frein de chaîne. (Fig. 46)
- Tirer le starter vers le haut. (Fig. 47)
- Appuyer 6 fois sur la pompe à carburant. (Fig. 48)
- Maintenir l'outil sur le sol à l'aide de la main gauche.
- Placer le pied droit dans la poignée arrière.
- Tirer lentement la poignée du câble du lanceur avec la main droite jusqu'à rencontrer une résistance.
- Tirer sur la poignée du câble du lanceur avec force. (Fig. 49)



MISE EN GARDE : Ne pas tirer sur la corde du démarreur tant qu'il ne s'est pas arrêté. Ne pas lâcher la corde du démarreur lorsqu'elle est complètement déployée. Relâcher lentement la corde du démarreur. Le non-respect de ces

instructions peut causer des dommages au moteur.

Remarque : Ne pas appuyer sur la gâchette d'accélération lors du démarrage du moteur.

- Continuer à tirer sur la poignée du lanceur jusqu'à ce que le moteur démarre ou tente de démarrer (maximum cinq fois).
- Si le moteur démarre ou tente de démarrer, poussez le starter à la position intermédiaire. (Fig. 50)
- Continuer de tirer jusqu'à ce que le moteur démarre.
- Tenir la poignée arrière avec la main droite et la poignée avant avec la main gauche. (Fig. 51)
- Tirer aussitôt le protège-main avant vers l'arrière dans le sens de la poignée avant pour désengager le frein de chaîne. (Fig. 52)

Remarque : La chaîne va tourner.

- Faire tourner 30 secondes au régime de ralenti élevé.
- Tirer la gâchette d'accélérateur lentement, mais complètement pendant 8 à 10 secondes, puis relâchez-la. (Fig. 53)
- Faire tourner 30 secondes au régime de ralenti normal.
- Tirer la gâchette d'accélérateur lentement, mais complètement pendant 5 secondes pour vérifier l'accélération, puis relâchez-la.
- Utiliser l'outil.

Démarrage d'un moteur chaud

- Pousser le protège-main avant vers l'avant pour engager le frein de chaîne.
- Tirer le starter vers le haut.
- Appuyer 6 fois sur la pompe à carburant.
- Pousser le starter vers le bas.
- Maintenir l'outil sur le sol à l'aide de la main gauche.
- Placer le pied droit dans la poignée arrière.
- Tirer lentement la poignée du câble du lanceur avec la main droite jusqu'à rencontrer une résistance.
- Tirer sur la poignée du câble du lanceur avec force.



MISE EN GARDE : Ne pas tirer sur la corde du démarreur tant qu'il ne s'est pas arrêté. Ne pas lâcher la corde du démarreur lorsqu'elle est complètement déployée. Relâcher lentement la corde du démarreur. Le non-respect de ces instructions peut causer des dommages au moteur.

Remarque : Ne pas appuyer sur la gâchette d'accélération lors du démarrage du moteur.

9. Tirer sur la poignée du câble du lanceur jusqu'à ce que le moteur démarre.
10. Tenir la poignée arrière avec la main droite et la poignée avant avec la main gauche.
11. Tirer aussitôt le protégé-main avant vers l'arrière dans le sens de la poignée avant pour désengager le frein de chaîne.



Remarque : La chaîne va tourner.

12. Attendre 10 à 15 secondes.
13. Appuyer légèrement sur la gâchette d'accélérateur pour régler au régime de ralenti normal.
14. Utiliser l'outil.

Démarrage du moteur lorsque le carburant est trop chaud

Si l'outil ne démarre pas, le carburant peut être trop chaud.

Remarque : Toujours utiliser du carburant neuf et réduire la durée de fonctionnement par temps chaud.

1. Placer l'outil dans un endroit frais à l'écart des rayons du soleil.
2. Laisser l'outil refroidir pendant au moins 20 minutes.
3. Appuyer sur la pompe à carburant à plusieurs reprises pendant 10 à 15 secondes.
4. Procéder de la même façon que pour le démarrage à froid. Se reporter à la section *Démarrage d'un moteur froid* à la page 43.

Pour couper le moteur

- Appuyer sur l'interrupteur pour arrêter le moteur.

Remarque : L'interrupteur revient automatiquement à sa position initiale.

Abattage d'un arbre

1. Retirer de l'arbre les saletés, les pierres, les morceaux d'écorce, les clous, les agrafes et les fils électriques.
2. Pratiquer une entaille d'abattage sur le tiers du diamètre du tronc, perpendiculairement au sens de chute. (Fig. 54)
3. Faire l'entaille horizontale inférieure. Cela permet d'éviter le pincement de la scie et du guide-chaîne quand la deuxième entaille est effectuée.

4. Faire le trait d'abattage (X) au moins 50 mm (2 po) plus haut que l'entaille horizontale. Maintenir le trait d'abattage parallèle à l'entaille horizontale de façon à laisser suffisamment de bois pour faire charnière. Prendre garde de ne pas couper la charnière. La charnière empêche l'arbre de pivoter sur lui-même et de tomber dans la mauvaise direction. (Fig. 55) (Fig. 56)
5. Quand le trait d'abattage approche de la charnière, l'arbre commence à tomber. S'assurer que l'arbre tombe dans le bon sens et qu'il ne bascule pas vers l'arrière pour pincer la tronçonneuse. Pour éviter une telle situation, arrêter la coupe avant que le trait d'abattage soit complété. Utiliser des cales de bois, de plastique ou d'aluminium pour ouvrir l'entaille et faire tomber l'arbre le long de la ligne de chute souhaitée. (Fig. 57)
6. Lorsque l'arbre commence à tomber, retirer la scie du trait, couper le moteur, déposer la scie, puis utiliser la voie de retraite prévue. Prendre garde à la chute des branches supérieures et regarder où vous mettez les pieds. (Fig. 58)

Ébranchage

1. Utiliser les grosses branches pour maintenir la bille loin du sol.
2. Retirer les petites branches en une passe. (Fig. 59)
3. Couper les branches sous tension de bas en haut afin d'éviter le coincement de la chaîne ou du guide-chaîne.

Débitage d'une bille



MISE EN GARDE : Ne pas laisser la tronçonneuse entrer en contact avec le sol.

- Si la bille est soutenue sur toute sa longueur, la couper par le dessus. (Fig. 60)
- Si la bille appuie sur une extrémité, la couper au tiers de son diamètre à partir du bas. (Fig. 61)
- Si la bille est soutenue aux extrémités, la couper au tiers de son diamètre par le haut. Terminer la coupe en taillant par le bas les deux tiers du diamètre restant jusqu'à toucher la première coupe. (Fig. 62)
- Si le terrain est en pente, toujours se placer en amont de la bille. Couper la bille en gardant le parfait contrôle de l'outil, puis relâcher la pression près de la fin de la coupe tout en maintenant fermement les poignées arrière et avant. (Fig. 63)

Entretien



AVERTISSEMENT : Lire et comprendre le chapitre sur la sécurité avant de le nettoyer l'outil, le réparer ou en effectuer l'entretien.

Calendrier d'entretien

S'assurer de respecter le calendrier d'entretien. La fréquence est calculée sur la base d'une utilisation quotidienne. Les périodicités sont différentes si l'outil n'est pas utilisé chaque jour. N'effectuer que les travaux d'entretien décrits dans ce manuel. Communiquer avec un centre de service après-vente agréé pour effectuer les travaux d'entretien qui ne figurent pas dans ce manuel.

Entretien quotidien

- Nettoyer les surfaces externes.
- Vérifier que la gâchette et son dispositif de verrouillage fonctionnent correctement.
- Nettoyer le frein de chaîne et vérifier qu'il fonctionne correctement.

(Fig. 64)

- Vérifier l'attrape-chaîne pour détecter d'éventuels dommages. Remplacer l'attrape-chaîne s'il est endommagé.

(Fig. 65)

- Pour obtenir une usure plus égale, tourner le guide-chaîne chaque jour.
- Vérifier que l'orifice de graissage du guide-chaîne n'est pas bouché.

(Fig. 66)

- Nettoyer la rainure du guide-chaîne.

(Fig. 67)

- S'assurer que le guide-chaîne et la chaîne reçoivent suffisamment d'huile.
- Inspecter la chaîne :
 - Ses rivets et maillons comportent-ils des fissures?
 - Ses rivets et maillons sont-ils usés de façon anormale?
 - La tension est-elle correcte?

Si nécessaire, remplacer la chaîne.

- Affûter la chaîne. Voir *Affûter la chaîne*, à la page 46.
- Vérifier le pignon d'entraînement pour détecter toute usure excessive, puis le remplacer au besoin.

(Fig. 68)

- Nettoyer la prise d'air du lanceur.
- S'assurer que les vis et écrous sont bien serrés.
- S'assurer que l'interrupteur d'arrêt fonctionne correctement.
- Inspecter le moteur, le réservoir et les conduites de carburant à la recherche de fuites.
- Vérifier que la chaîne ne tourne pas lorsque le moteur est au ralenti.

Entretien hebdomadaire

- Vérifier que le système de refroidissement fonctionne correctement.
- Vérifier que le lanceur, le câble et le ressort de rappel fonctionnent correctement.
- Vérifier que les éléments antivibrations ne sont pas endommagés.

(Fig. 69)

- Nettoyer les bavures éventuelles sur les côtés du guide-chaîne.
- Nettoyer ou remplacer l'écran pare-étincelles sur le silencieux.

(Fig. 70)

- Nettoyer les surfaces externes du carburateur et les zones adjacentes.
- Nettoyer le filtre à air. Si le filtre à air est endommagé ou trop sale pour être nettoyé, installer un nouveau filtre à air. Pour plus d'information, se reporter à *Nettoyage du filtre à air* à la page 46.

Entretien mensuel

- Examiner le degré d'usure du ruban du frein de chaîne. Remplacer le frein de chaîne si l'épaisseur de son ruban est inférieure à 0,6 mm (0,024 po) à l'endroit le plus usé.

(Fig. 71)

- Examiner le centre d'embrayage, le tambour d'embrayage et le ressort d'embrayage pour détecter tout signe d'usure.
- Nettoyer la bougie d'allumage. Vérifier que l'écartement des électrodes est correct.

(Fig. 72)

- Nettoyer les surfaces externes du carburateur et les zones adjacentes.
- Inspecter le filtre à carburant et la conduite de carburant Remplacer au besoin.
- Vider le réservoir de carburant.
- Vider le réservoir d'huile.
- Vérifier tous les câbles et toutes les connexions.

Maintenance annuelle

- Vérifier la bougie d'allumage.
- Nettoyer les surfaces externes du carburateur et les zones adjacentes.
- Nettoyer le système de refroidissement.
- Vérifier la grille antifiemme.
- Vérifier le filtre à carburant.
- Vérifier le tuyau de carburant pour détecter d'éventuels dommages.
- Vérifier tous les câbles et toutes les connexions.

Maintenance périodique

- Demander à un centre de service après-vente agréé de réparer ou remplacer le silencieux après 50 heures de fonctionnement.
- Effectuer la maintenance de la bougie d'allumage en présence de l'une des situations suivantes :
 - Le niveau de puissance du moteur est faible.
 - Il est difficile de démarrer le moteur.
 - Le moteur ne fonctionne pas correctement au régime de ralenti.
- Vérifier la lubrification de la chaîne à chaque plein. Voir *Vérification de la lubrification de la chaîne à la page 47*.

Réglage du régime de ralenti

Vérifier que le filtre à air est propre et que le couvercle du filtre à air est fixé avant de régler le régime de ralenti.

1. Tourner la vis de réglage du ralenti, qui est identifiée par un T, dans le sens horaire jusqu'à ce que la chaîne commence à tourner.
2. Tourner la vis de réglage du ralenti, qui est identifiée par un T, dans le sens antihoraire jusqu'à ce que la chaîne cesse de tourner.
3. Le régime de ralenti doit être inférieur à la vitesse où la chaîne commence à tourner. Le régime de ralenti est adéquat lorsque le moteur fonctionne sans à-coups dans toutes les positions.

Nettoyage de l'écran pare-étincelles

1. Utiliser une brosse métallique pour nettoyer l'écran pare-étincelles.

Entretien de la bougie d'allumage



MISE EN GARDE : Utiliser la bougie recommandée. Vérifier que les pièces de rechange sont les mêmes que celles fournies par le fabricant. Une bougie inadéquate peut endommager l'outil.

1. Si l'outil n'est pas facile à démarrer ou faire fonctionner, inspecter la bougie à la recherche de matières indésirables. Afin de réduire le risque de matériau indésirable sur les électrodes de la bougie :
 - a) Vérifier que le régime de ralenti est réglé de façon adéquate.
 - b) Vérifier que le mélange de carburant est correct.
 - c) Vérifier que le filtre à air est propre.
2. Nettoyer la bougie si elle est sale. Vérifier que l'écartement des électrodes est correct. (Fig. 72)
3. Remplacer la bougie d'allumage selon le besoin.

Nettoyage du filtre à air

1. Retirer le couvercle du filtre à air et retirer le filtre à air.

2. Nettoyer le filtre à air à l'eau savonneuse chaude. Vérifier que le filtre à air est sec avant de l'installer.
3. Remplacer le filtre à air s'il est trop sale pour être nettoyé entièrement. Toujours remplacer les filtres à air endommagés.

Affûter la chaîne.

Le couteau

La partie tranchante de la scie à chaîne est appelée le couteau. Celui-ci comporte une dent de coupe (A) et une jauge de profondeur (B). La profondeur de coupe du couteau est la différence de hauteur entre les deux, soit le réglage de la jauge de profondeur (C).

(Fig. 73)

Lors de l'affûtage d'une dent de coupe, il faut garder quatre facteurs à l'esprit :

- L'angle d'affûtage.

(Fig. 74)

- L'angle de coupe.

(Fig. 75)

- La position de la lime.

(Fig. 76)

- Le diamètre de la lime ronde.

(Fig. 77)

Affûtage des dents de coupe

Utiliser une lime ronde et un gabarit d'affûtage pour affûter les dents de coupe. Voir *Affûtage et combinaisons de chaîne à la page 49* pour obtenir plus d'information sur la dimension recommandée de la lime et du gabarit à utiliser selon la chaîne installée.

1. S'assurer que la chaîne est correctement tendue. Une tension insuffisante rend la chaîne instable latéralement, gênant ainsi son affûtage.
2. Dans un premier temps, limer toutes les dents du même côté. Passer la lime sur les dents de la face intérieure en réduisant la pression lors du mouvement de retour.
3. Retourner la scie et limer l'autre côté.
4. Limer de manière à amener toutes les dents à la même longueur. Quand la grandeur de la dent n'est plus que de 4 mm (5/32 po), la chaîne est usée et doit être remplacée. (Fig. 78)

Réglage de la jauge de profondeur

Affûter les dents de coupe avant de régler la jauge de profondeur. Voir *Affûtage des dents de coupe à la page 46*. Une fois la dent de coupe (A) affûtée, le réglage de la jauge de profondeur (C) diminue. Pour conserver une performance de coupe optimale, la jauge de profondeur (B) doit être limée de façon à obtenir la profondeur de jauge recommandée. Se reporter à *Affûtage et combinaisons de chaîne à la page 49* pour trouver le bon réglage de jauge de profondeur pour votre chaîne.

(Fig. 79)
(Fig. 80)

Remarque : Cette recommandation suppose que la longueur des dents de coupe n'a pas été réduite excessivement.

Utiliser une lime plate et un outil pour jauges de profondeur pour régler la jauge de profondeur.

1. Mettre l'outil pour jauges de profondeur au-dessus de la chaîne. L'emballage de l'outil pour jauges de profondeur offre des instructions sur l'utilisation de cet outil.
2. Passer une lime plate sur la partie supérieure de la jauge de profondeur qui sort de l'outil pour jauges de profondeur. La jauge de profondeur est bien réglée quand le passage de la lime sur l'outil pour jauges de profondeur ne produit aucune résistance.

Mise en tension de la chaîne

Remarque : Vérifier fréquemment la tension d'une chaîne neuve pendant sa période de rodage.

1. Desserrer les écrous du guide-chaîne qui maintiennent le carter d'embrayage. Utiliser la clé à usages multiples. (Fig. 81)
2. Serrer les écrous du guide-chaîne à fond manuellement.
3. Soulever le haut du guide-chaîne et déployer la chaîne en serrant la vis du tendeur de chaîne. Utiliser la clé à usages multiples. Serrer la chaîne jusqu'à ce qu'elle ne pende plus de la partie inférieure du guide-chaîne. (Fig. 82)

4. Serrer les écrous du guide-chaîne à l'aide de la clé à usages multiples tout en soulevant le bout du guide-chaîne. (Fig. 83)
5. S'assurer de pouvoir tirer la chaîne librement à la main et qu'elle ne pend pas. (Fig. 84)

Lubrification de l'équipement de coupe

Vérification de la lubrification de la chaîne

Vérifier la lubrification de la tronçonneuse à chaque plein.

1. Démarrer l'outil et le laisser tourner aux 3/4 du plein régime. Pointer le nez du guide-chaîne vers une surface de couleur pâle éloignée de 20 cm (8 po).
2. Après une minute de fonctionnement, une ligne d'huile est apparue sur la surface pâle.
3. Si aucune ligne d'huile n'est visible après une minute, nettoyer le canal de graissage du guide-chaîne. Nettoyer la rainure du guide-chaîne. Vérifier que le pignon du nez du guide-chaîne tourne librement et que l'orifice de lubrification n'est pas obstrué. Nettoyer et lubrifier le pignon du nez.
4. Démarrer l'outil et le laisser tourner aux 3/4 du plein régime. Pointer le nez du guide-chaîne vers une surface de couleur pâle éloignée de 20 cm (8 po).
5. Après une minute de fonctionnement, une ligne d'huile est apparue sur la surface pâle.
6. Si aucune ligne d'huile n'apparaît après une minute, en parler avec votre concessionnaire agréé.

Transport

- Placer le fourreau de transport sur l'équipement de coupe pendant le transport pour éviter toute blessure.
- S'assurer que l'outil ne peut pas se déplacer pendant le transport.

Entreposage

- Toujours ranger l'outil à l'abri dans un endroit sûr lorsqu'il n'est pas utilisé. Des fuites et des fumées s'échappant de l'outil peuvent entrer en contact avec des étincelles ou des flammes nues produites par des équipements électriques, des tondeuses électriques, des relais/interrupteurs, des chaudières et plus encore.
- Toujours conserver le carburant dans un récipient approuvé.
- Vider le réservoir de carburant et d'huile à chaîne lorsque l'outil est entreposé pendant de longues périodes. Mettre les liquides au rebut de la façon prescrite.
- Placer la protection de transport sur l'équipement durant la période d'entreposage pour éviter toute blessure.
- Retirer le capuchon de la bougie d'allumage et engager le frein de chaîne avant l'entreposage.

Données techniques

	unité	120 (P02138HV)
Spécifications du moteur		
Cylindrée	cm ³	38
Bougie d'allumage		Champion RCJ7Y
Écartement des électrodes	mm (po)	0,5 (0,02)
Capacité du réservoir de carburant	cm ³	300
Régime de ralenti	min ⁻¹	2 800 à 3 200
Puissance de sortie à 9000 min ⁻¹	kW	1,4
Durabilité des émissions	h	50
Données sur le bruit et les vibrations		
Niveaux de vibrations équivalents, poignée avant hveq ¹¹	m/s ²	5,3
Niveaux de vibrations équivalents, poignée arrière hveq ¹²	m/s ²	6,7
Niveau de puissance acoustique garanti (L _{WA}) ¹³	dB(A)	116
Niveau de puissance acoustique mesuré ¹⁴	dB(A)	113
Pression acoustique à l'oreille de l'utilisateur ¹⁵	dB(A)	100
Dimensions de l'outil		
Poids (sans équipement de coupe)	kg	4,9
Capacité du réservoir d'huile	cm ³	200
Circuits d'alimentation et de lubrification		
Capacité de la pompe à huile à 9000 min ⁻¹	ml/min	7
Capacité du réservoir d'huile	cm ³	200
Type de pompe à huile		Automatique
Chaîne et guide-chaîne		
Longueur de guide-chaîne standard	cm (po)	35-40 (14-16)
Longueur de guide-chaîne recommandée	cm (po)	35-45 (14-18)

¹¹ Le niveau équivalent de vibration, conformément à la norme ISO 22867, est calculé comme l'énergie totale pondérée dans le temps pour différents niveaux de vibration dans différentes conditions de travail. Les données signalées pour le niveau de vibration équivalent présentent une dispersion statistique type (écart standard) de 1 m/s².

¹² Le niveau équivalent de vibration, conformément à la norme ISO 22867, est calculé comme l'énergie totale pondérée dans le temps pour différents niveaux de vibration dans différentes conditions de travail. Les données signalées pour le niveau de vibration équivalent présentent une dispersion statistique type (écart standard) de 1 m/s².

¹³ Émission de bruit dans l'environnement mesurée en tant que puissance acoustique (L_{WA}).

¹⁴ Émissions sonores dans l'environnement mesurées comme puissance sonore (L_{WA}).

¹⁵ Le niveau équivalent de pression sonore est calculé comme l'énergie totale pondérée dans le temps pour différents niveaux de pression dans différentes conditions de travail. La dispersion statistique type pour un niveau équivalent de pression sonore affiche un écart standard de 1 dB (A).

	unité	120 (P02138HV)
Longueur de coupe effective	cm (po)	34-39 (13,5 - 15,5)
Vitesse maximale de la chaîne	m/s	22,3
Pas de chaîne	mm (po)	8,3 (0,325)
		9,52 (3/8)
Épaisseur des maillons d'entraînement (jauge)	mm (po)	1,3 (0,05)
Type de pignon d'entraînement		Pignon étoile
Nombre de dents du pignon d'entraînement		6 (pignon d'entraînement de 3/8)
		7 (pignon d'entraînement de 0,325)



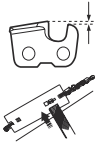


Accessoires

Combinaisons de guide-chaîne et de chaîne

L'équipement de coupe ci-dessous sont homologués pour le produit.

Guide-chaîne				Chaîne	
Longueur, cm (po)	Pas, mm (po)	Jauge, mm (po)	Rayon du nez max.	Type	Nbre de maillons entraîneurs
35 (14)	9,52 (3/8)	1,3 (0,050)	7T	Husqvarna S93G	52
40 (16)	9,52 (3/8)			Husqvarna H37	56
45 (18)	9,52 (3/8)				62

Affûtage et combinaisons de chaîne

					
H37	5/32 po/4,0 mm	579 65 36-01	0,025 po/ 0,65 mm	30°	80°
S93G	5/32 po/4,0 mm	587 80 90-01	0,025 po/ 0,65 mm	30°	60°



www.husqvarna.com

Original instructions
Instrucciones originales
Instructions d'origine

1141199-96



2020-10-29