



# Husqvarna®



## 340iBT

EN Operator's manual  
ES-MX Manual de usuario  
FR-CA Manuel d'utilisation

2-16  
17-31  
32-46

---

## Contents

---

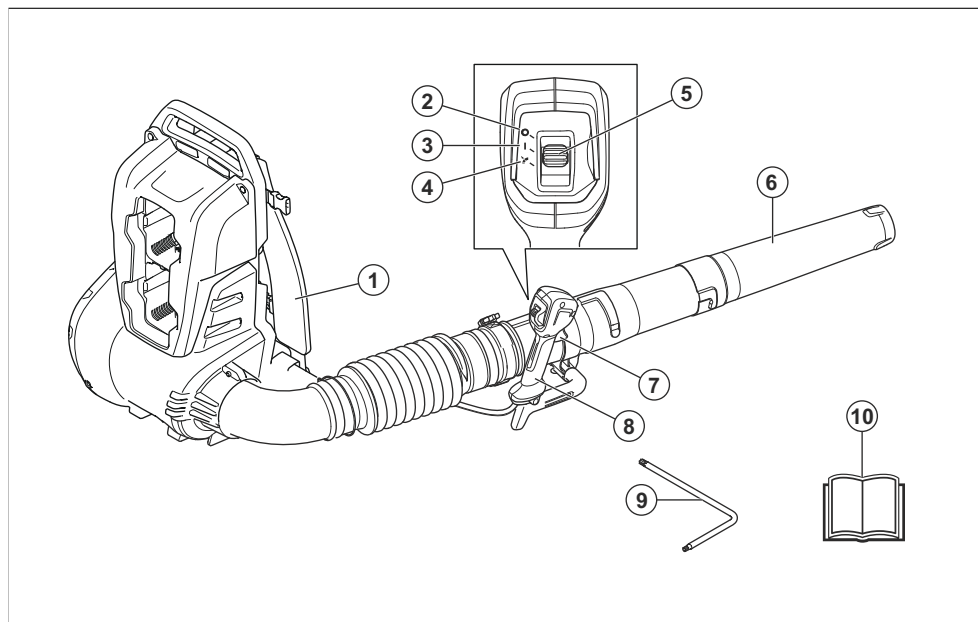
Introduction.....	2	Troubleshooting.....	13
Safety.....	3	Transportation, storage and disposal.....	13
Assembly.....	9	Technical data.....	14
Operation.....	10	Accessories.....	15
Maintenance.....	12		

---

## Introduction

---

### Product overview



1. Backpack harness
2. Stop position
3. Start position
4. Cruise control position: Set the optimal air flow for your work
5. Power lever
6. Blower nozzle
7. Power trigger
8. Handle
9. Hex key
10. Operator's manual

Work is constantly in progress to increase your safety and efficiency during operation. Speak to your servicing dealer for more information.

### Intended use

Use the product to blow leaves and other unwanted material from areas such as lawns, pathways and asphalt roads.

### Product description

The product is a battery backpack blower with an electrical motor.

## Symbols on the product



Warning! The product can be dangerous! Be careful and use the product correctly. This product can cause serious injury or death to the operator or others. Read the operator's manual carefully and make sure that you understand the instructions before you use this product.



Use approved eye protection.



Noise level "A dB(A)" measured at 50 ft. (15 m) per ANSI B175.2".



ON



OFF



Direct current.



Do not expose to rain.



Cruise control button.

yyyywwxxxx

The rating plate shows the serial number. **yyyy** is the production year and **ww** is the production week.

## California Proposition 65



## WARNING

This product contains or emits a chemical known to the State of California to cause cancer or birth defects or other reproductive harm.

## Manufacturer

Husqvarna AB

Drottninggatan 2, SE-561 82 Huskvarna

## Product liability

As referred to in the product liability laws, we are not liable for damages that our product causes if:

- the product is incorrectly repaired.
- the product is repaired with parts that are not from the manufacturer or not approved by the manufacturer.
- the product has an accessory that is not from the manufacturer or not approved by the manufacturer.
- the product is not repaired at an approved service center or by an approved authority.

## Safety

### Safety definitions

Warnings, cautions and notes are used to point out specially important parts of the manual.



## WARNING:

Used if there is a risk of injury or death for the operator or bystanders if the instructions in the manual are not obeyed.



## CAUTION:

Used if there is a risk of damage to the product, other materials or the adjacent area if the instructions in the manual are not obeyed.

**Note:** Used to give more information that is necessary in a given situation.

# IMPORTANT SAFETY INSTRUCTIONS



**WARNING:** Read all safety warnings and all instructions. Failure to follow the warnings and instructions may result in electric shock, fire and/or serious injury.

## Introduction



**WARNING:** Read all safety warnings and all instructions. Failure to follow the warnings and instructions may result in electric shock, fire and/or serious injury.

## READ ALL INSTRUCTIONS

Please read the operator's manual carefully and make sure you understand the instructions before using the machine.



**WARNING:** To Reduce The Risk Of Electric Shock - Do Not Expose To Rain - Store Indoors.

- Do not charge the product outdoors.
- Only use the charger supplied by the manufacturer to recharge. A charger that is suitable for one type of battery pack may create a risk of fire when used with another battery pack.
- Do not incinerate the appliance even if it's severely damaged.
- Do not allow to be used as a toy. Close attention is necessary when used by or near children.
- Only use the product as described in this manual.
- Only use the manufacturers recommended attachments.
- If the appliance is not working as it should, has been dropped, is damaged, is left outdoors or dropped into water, return it to a service center.
- Do not handle charger, including charger plug, and charger terminals with wet hands.
- Keep hair, loose clothing, fingers, and all parts of body away from openings and moving parts.
- Do not put any object into openings. Do not use with any opening blocked; keep free of dust, lint, hair, and anything that may reduce the air flow.
- Use extra care when cleaning on stairs.

- Do not use to pick up flammable or combustible liquids, such as gasoline, or use in areas where they may be present.

## General power tool safety warnings

### Check before starting

- Inspect the working area. Remove all loose objects, such as stones, broken glass, nails, steel wire, string etc. that could be thrown out.
- Always remove the battery to prevent the machine being started by accident. Always disconnect the battery before any maintenance on the machine.
- Before using the machine and after any impact, check for signs of wear or damage and repair as necessary.
- Only use original spare parts.
- The machine operator must ensure that no people or animals come closer than 15 metres while working. When several operators are working in the same area the safety distance should be at least 15 metres.
- Do an overall inspection of the machine before use, see maintenance schedule.
- National or local regulations may regulate the use. Comply to given regulations.

## Personal safety

- **Stay alert, watch what you are doing and use common sense when operating a power tool. Do not use a power tool while you are tired or under the influence of drugs, alcohol or medication.** A moment of inattention while operating power tools may result in serious personal injury.
- Keep bystanders away.
- This appliance is not intended for use by person (including children) with reduced physical, sensory or mental capabilities, or lack of experience and knowledge, unless they have been given supervision or instruction concerning use of the appliance by a person responsible for their safety. Children should be supervised to ensure that they do not play with the appliance.
- Never allow children or other persons not trained in the use of the machine and/or the battery to use or service it. Local laws may regulate the age of the user.
- Keep unauthorised persons at a distance. Children, animals, onlookers and helpers should be kept outside the safety zone of 15 m (50 ft.). Stop the machine immediately if anyone approaches.
- Store the equipment in a lockable area so that it is out of reach of children and unauthorized persons.
- **Dress properly. Do not wear loose clothing or jewellery. Keep your hair, clothing and gloves away from moving parts.** Loose clothes, jewellery or long hair can be caught in moving parts.
- Never use the machine if you are tired, if you have drunk alcohol, or if you are taking medication that

could affect your vision, your judgement or your coordination.

- Wear personal protective equipment. See instructions under the heading "Personal protective equipment".
- Always remove the battery when passing the machine to another person.
- Keep in mind that it is you, the operator that is responsible for not exposing people or their property to accidents or hazards.

## Power tool use and care

- Never use a machine that has been modified in any way from its original specification. Never use the machine near explosive or flammable materials.
- Never use a machine that is faulty. Carry out the safety checks, maintenance and service instructions described in this manual. Some maintenance and service measures must be carried out by trained and qualified specialists. See instructions under the heading Maintenance.
- Only use original spare parts.
- Always ensure that ventilation openings are kept clear of debris.
- All covers, guards and handles must be fitted before starting.
- Only use the machine in daylight or in other well-lit conditions.
- Never use the machine in bad weather, for instance in fog, in rain, damp or in wet locations, strong winds, intense cold, risk of lightning, etc. Extremely hot weather may cause overheating of the machine. Operation in bad weather is tiring and can lead to dangerous conditions, for instance slippery surfaces.
- If the machine starts vibrating abnormally, stop the machine and remove the battery.
- Walk, never run.

## Battery use and safety

- **Use appliances only with specifically designated battery packs.** Use of any other battery packs may create a risk of injury and fire.
- **When battery pack is not in use, keep it away from other metal objects, like paper clips, coins, keys, nails, screws or other small metal objects, that can make a connection from one terminal to another.** Shorting the battery terminals together may cause burns or a fire.
- **Under abusive conditions, liquid may be ejected from the battery; avoid contact. If contact accidentally occurs, flush with water. If liquid contacts eyes, additionally seek medical help.** Liquid ejected from the battery may cause irritations or burns.
- **Do not use a battery pack or appliance that is damaged or modified.** Damaged or modified batteries may exhibit unpredictable behavior resulting in fire, explosion or risk of injury.

- **Do not expose a battery pack or appliance to fire or excessive temperature.** Exposure to fire or temperature above 130°C (266°F) may cause explosion.
- **Follow all charging instructions and do not charge the battery pack or appliance outside of the temperature range specified in the instructions.** Charging improperly or at temperatures outside of the specified range may damage the battery and increase the risk of fire.

## General safety instructions



**WARNING:** Read the warning instructions that follow before you use the product.

- Incorrect or careless use of the product can turn it into a dangerous tool that can cause serious or even fatal injury to the operator or others. You must read and understand the contents of this operator's manual.
- Under no circumstances may the design of the product be modified without the permission of the manufacturer. Never use a product that has been modified in any way from its original specification and always use original accessories. Non-authorized modifications and/or accessories can result in serious personal injury or the death of the operator or others. Your warranty may not cover damage or liability caused by the use of non-authorized accessories or replacement parts.
- This product produces an electromagnetic field during operation. This field may under some circumstances interfere with active or passive medical implants. To reduce the risk of serious or fatal injury, we recommend persons with medical implants to consult their physician and the medical implant manufacturer before operating this product.
- Remove the battery from the product during charging.

## Safety instructions for operation



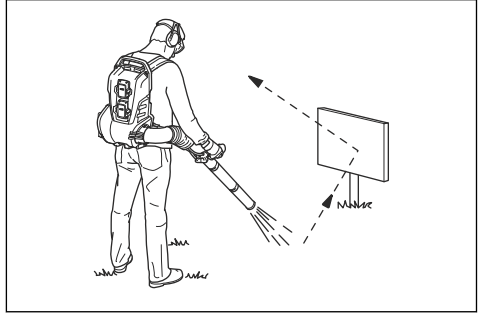
**WARNING:** Read the warning instructions that follow before you use the product.

- If you encounter a situation where you are uncertain how to proceed you should ask an expert. Contact your dealer or your service workshop. Avoid all usage which you consider to be beyond your capability.
- Do not allow children to use or be in the vicinity of the product. Since the product is easy to start, children may be able to start it if they are not kept under full surveillance. This can mean a risk of

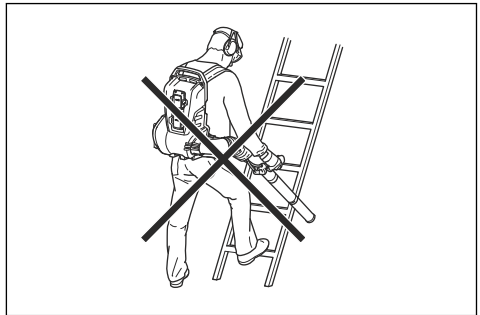
serious personal injury. Disconnect the battery when the product is not under close supervision.

- Ensure that no people or animals come closer than 15 metres (50 ft.) while you work. When several operators are working in the same area the safety distance should be at least 15 metres. Otherwise there is a risk of serious personal injury. Stop the product immediately if anyone approaches. Never swing the product around without first checking behind you to make sure that no one is within the safety zone.
- Make sure that you can move and stand safely. Check the area around you for possible obstacles (roots, rocks, branches, ditches, etcetera) in case you have to move suddenly. Take great care when you work on sloping ground.
- Keep a good balance and a firm foothold at all times. Do not overreach.
- Listen out for warning signals or shouts when you wear hearing protection. Always remove your hearing protection as soon as the product stops.
- Show consideration to persons in your surroundings by avoiding using the product at unsuitable times, such as late in the evening or early in the morning. Follow local regulations and ordinances.
- Use the product with the lowest possible airflow. It is seldom necessary to use full airflow, and many work procedures can be done at half airflow. A lower airflow means less noise and less dust, and it is also easier to keep control over the rubbish collected together/moved.
- Use a rake or a brush to release rubbish stuck to the ground.
- Hold the opening of the blower as close to the ground as possible.
- Observe your surroundings. Direct the product away from persons, animals, play areas, cars etc..
- Minimize the blowing time by lightly wetting dusty areas or using spray equipment.
- Be aware of the wind direction. Work with the wind to make your work easier.
- Stop the product and remove the battery if the product starts to vibrate abnormally.
- Using the product to move large piles is time consuming and creates unnecessary noise.
- Clean up afterwards. Make sure that you have not blown rubbish into someone's garden.
- Do not run with the product.

- The powerful currents of air can move objects at such a speed that they can bounce back and cause serious eye injuries.



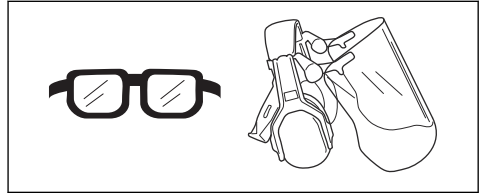
- Do not direct the airflow towards people or animals.
- Stop the motor before you assemble or dismantle accessories or other parts.
- Keep all parts of your body away from hot surfaces.
- Never put the product down when it is activated unless you have it in clear sight.
- The product must not be used while on a ladder or scaffolding.



- Do not use the product unless you are able to call for help in case of an accident.
- Watch out for thrown objects. Stones, rubbish, etc., can be thrown up into the eyes causing blindness or serious injury.
- Use a residual-current device (RCD) for increased security when you charge the product. A residual-current device is fitted to protect operators in case an electrical fault should occur.
- This product is renowned for its low vibration load. Overexposure to vibration can lead to circulatory damage or nerve damage in people who have impaired circulation. Contact your doctor if you experience symptoms of overexposure to vibration. Such symptoms include numbness, loss of feeling, tingling, pricking, pain, loss of strength, changes in skin colour or condition. These symptoms normally appear in the fingers, hands or wrists.
- Only use the product for the purpose it was intended for.

- It is not possible to cover every conceivable situation you can face. Always exercise care and use your common sense. Avoid all situations which you consider to be beyond your capability. If you still feel uncertain about operating procedures after reading these instructions, you should consult an expert before continuing.
- The harness must always be worn when working with the product. Failure to do so means you will be unable to manoeuvre safely and this can result in injury to yourself and/or others.
- Prevent unintentional starting. Ensure that the power lever is in the stop position before connecting the battery, picking up or carrying the appliance. Carrying the appliance with your finger on the trigger switch or energizing appliance that have the trigger switch on invites accidents.

ANSI Z87.1 standard in the USAs or EN 166 in EU countries.



- Use clothing made of a strong fabric. Always use heavy, long pants and long sleeves. Do not use loose clothing that can catch on twigs and branches. Do not wear jewelry, short pants, sandals or go with bare feet. Put your hair up safely above shoulder level.
- Keep first aid equipment close at hand.

## Personal protective equipment



**WARNING:** Read the warning instructions that follow before you use the product.

- Always use approved personal protective equipment when you use the product. Personal protective equipment cannot fully prevent injury but it decreases the degree of injury if an accident does occur. Let your dealer help you select the right equipment.
- Long term exposure to noise can result in damaged hearing. In general, battery powered products are relatively quiet but damage can result from a combination of noise level and long usage. recommends that operators use hearing protectors when using products for a longer coherent time of a day. Continual and regular users should have their hearing checked regularly.



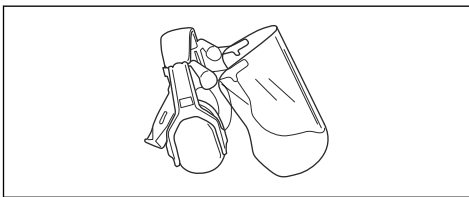
- A breathing mask should be used when there is a risk of dust.

## Safety devices on the product



**WARNING:** Read the warning instructions that follow before you use the product.

- In this section the product's safety features, its purpose and how checks and maintenance should be carried out to ensure that it operates correctly. See instructions under the heading *Introduction on page 2* to find where these parts are located on your product.
- The life span of the product can be reduced and the risk of accidents can increase if product maintenance is not carried out correctly and if service and/or repairs are not carried out professionally. If you need further information please contact your nearest servicing dealer.
- Never use a product with defective safety components. The product's safety equipment must be inspected and maintained as described in this section. If your product fails any of these checks, contact your service agent to get it repaired.
- All servicing and repair work on the product requires special training. This is especially true of the product's safety equipment. If your product fails any of the checks described below you must contact your service agent. When you buy any of our products we guarantee the availability of professional repairs and service. If the retailer who sells your product is not a



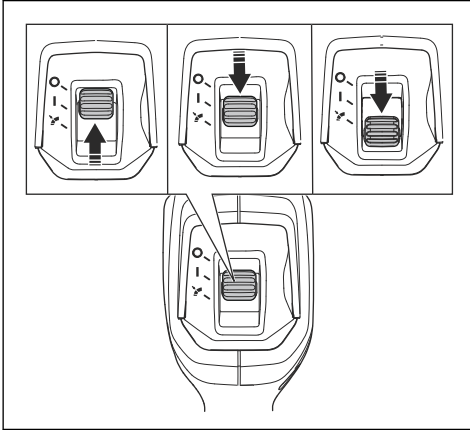
**WARNING:** Hearing protectors limit the ability to hear sounds and warning signals.

- Use approved eye protection. If you use a visor, you must also use approved protective goggles. Approved protective goggles must comply with the

servicing dealer, ask him for the address of your nearest service agent.

### To do a check of the power lever

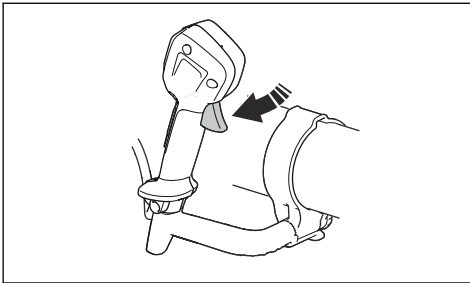
1. Release the power trigger and make sure that the product stops.
2. Push the power lever to the stop position.



3. Make sure that the power trigger is locked.
4. Push the power lever to the start position.
5. Make sure that the power trigger moves freely.
6. Push the power lever to cruise control position.
7. Make sure that the power trigger moves freely.

### To do a check of the power trigger

1. Make sure that the power lever is not set to the stop position.
2. Push and release the power trigger to make sure that it moves freely.



### Harness safety



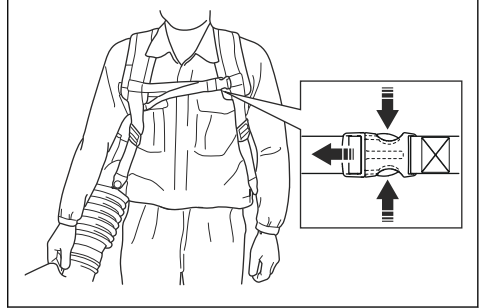
**WARNING:** Read the warning that follows before you operate the product.

The harness must always be worn when working with the product. Failure to do so means you will be unable to operate safely and this can result in injury to yourself or others. Make sure that the chest strap is buttoned and correctly adjusted. There is a risk that an unclosed strap can get stuck or sucked into the fan of the product.

### To use the quick release function

If an emergency occurs, remove the backpack blower quickly.

1. Push the clip and remove the strap.



2. Remove the harness.

### Safety instructions for maintenance



**WARNING:** Read the warning instructions that follow before you do maintenance on the product.

- Remove the battery before you do maintenance, other checks or assemble the product.
- The operator must only do the maintenance and servicing shown in this operator's manual. Speak to your servicing dealer for maintenance and servicing of a larger extension.
- Keep all nuts, bolts and screws tight to be sure the product is in safe working condition.
- Replace worn or damaged parts.
- If you do not do maintenance, it decreases the life cycle of the product and increases the risk of accidents.
- Special training is necessary for all servicing and repair work, especially for the safety devices on the product. If not all checks in this operator's manual are approved after maintenance, speak to your servicing dealer. We guarantee that there are professional repairs and servicing available for your product.
- Only use original spare parts.



# SAVE THESE INSTRUCTIONS

## Assembly

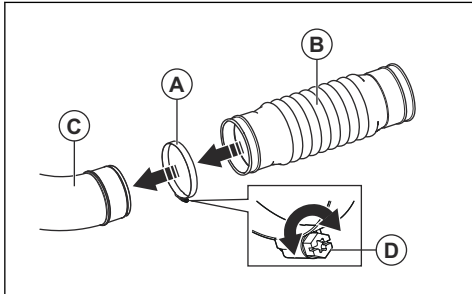
### Introduction



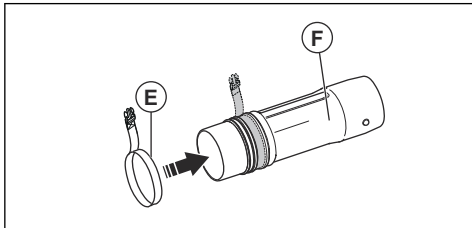
**WARNING:** Read and understand the safety chapter before you assemble the product.

### To assemble the tube and handle on the product

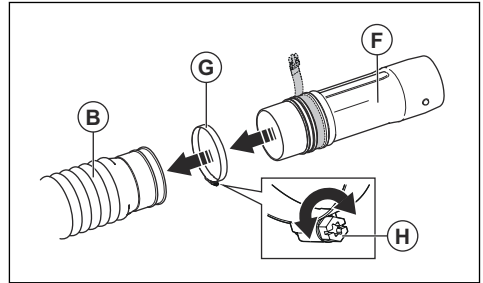
1. Put the clamp (A) on the flexible tube (B) and push the flexible tube onto the blower outlet (C).



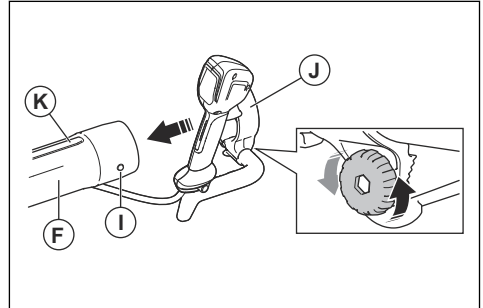
2. Put the screw (D) on the clamp below the tube and tighten the screw.
3. Attach the transport strap (E) to the guide track of the joint swivel (F).



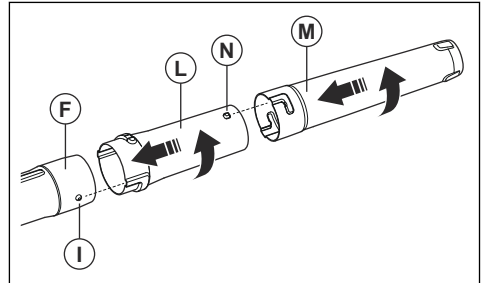
4. Put the clamp (G) on the flexible tube (B) and attach the joint swivel (F).



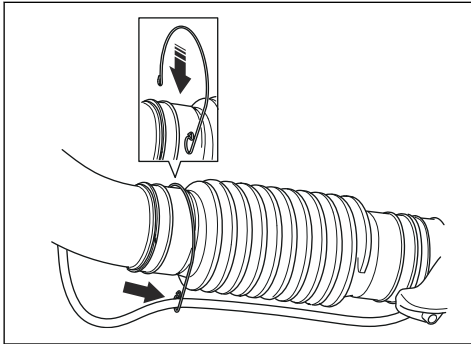
5. Put the screw (H) on the clamp below the tube and tighten the screw.
6. Align the knobs (I) to each side of the joint swivel (F).



7. Attach the operation handle (J) to the guide track (K) of the joint swivel (F). Make sure that the screw on the operation handle is on the bottom side of the control pipe.
8. Tighten the screw on the operation handle fully.
9. Connect the intermediate pipe (L) to the joint swivel (F). Make sure that the knob (I) aligns with the guide track of the intermediate pipe.



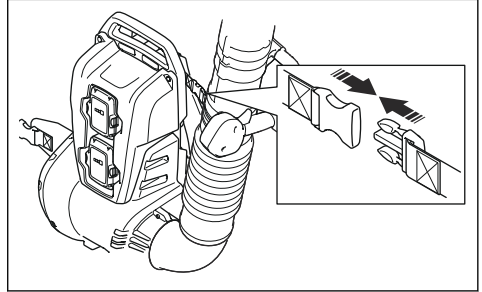
10. Turn the intermediate pipe (L) fully to lock the joint swivel (F) and the intermediate pipe.
11. Connect the blow pipe (M) to the intermediate pipe (L). Make sure that the knob (N) on the intermediate pipe points up and goes into the guide track of the blow pipe.
12. Turn the blow pipe fully to lock the intermediate pipe and the blow pipe.
13. Attach the cable clamp to the flexible tube. Put the cable of the operation handle in the loop on the cable clamp.



2. Tighten the shoulder straps (B) until the harness is tight against your body.
3. Connect the chest strap to the clip (A).
4. Tighten the chest strap.

## To put the product in transportation mode

1. Turn the blower tube until it points up.

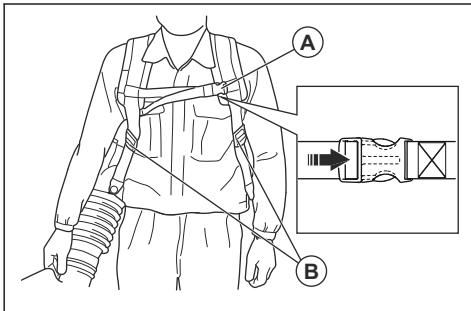


2. Connect the transport clip.

## To adjust the harness

Adjust the harness to give the best operation position.

1. Put on the harness of the product.



## Operation

### Introduction



**WARNING:** Read and understand the safety chapter before you use the product.

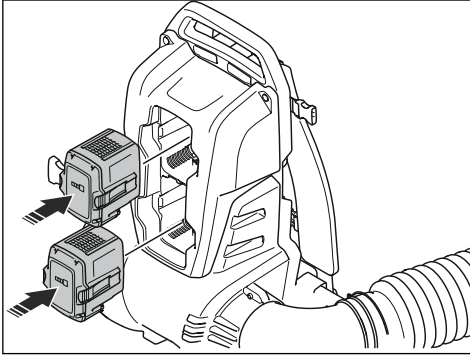
### To connect the battery to the product



**WARNING:** Only use Husqvarna original batteries in the product.

1. Make sure that the battery is fully charged.

2. Push the battery into the battery holder of the backpack. The battery locks into position when you hear a click.

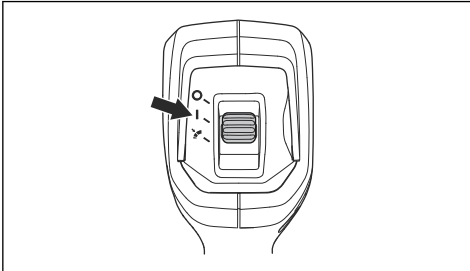


**CAUTION:** If the battery does not move easily into the battery holder, the battery is not installed correctly. This can cause damage to the product.

3. Make sure that the battery is installed correctly.

## To start the product

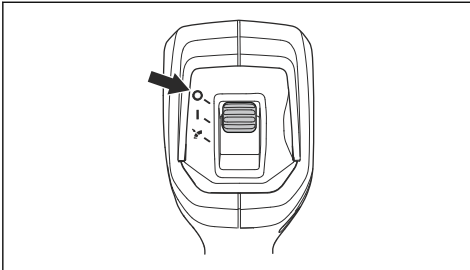
1. Push the power lever to the start position.



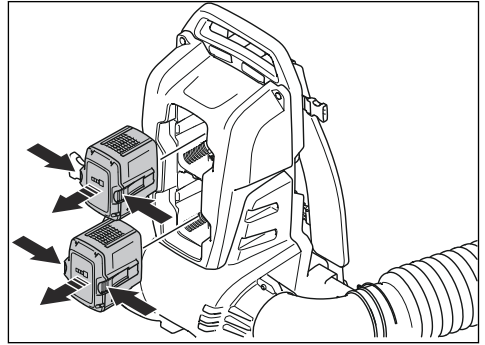
2. Use the power trigger to control the speed.

## To stop the product

1. Release the power trigger.
2. Push the power lever to the stop position.



3. Push the release buttons on the battery and remove the battery from the product.



## Automatic shutdown function

The product has an automatic shutdown function that stops the product if it is not used. The product shuts down after 30 minutes.

## Functional behaviour

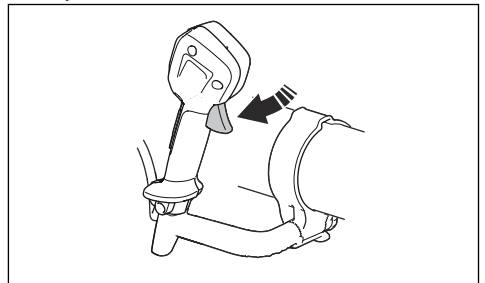
The product can be used with one battery in any of the pockets or with two batteries. If two batteries are installed the product will start to use the battery in the lower pocket before switching to the upper battery. Under normal condition the product will switch to the second battery when the first one is out of power. Under special circumstances the product will switch several times to cool the batteries.

If BLi10 or BLi100 is used in the product, the rpm will be limited to protect the batteries.

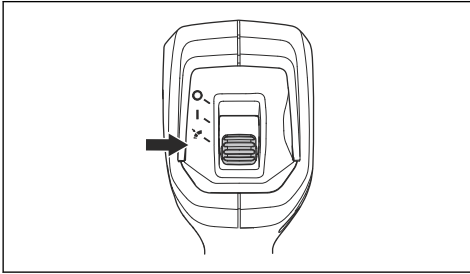
To prevent overheating of the batteries when battery switching is not possible, the product will lower the rpm to ensure full runtime.

## To operate the cruise control function

1. Push the power trigger to select the optimal airflow for your work.



2. Push the power lever to the Cruise control position to set the selected airflow.



3. Continue to operate with the selected airflow without the power trigger pushed.
4. To increase the airflow, push the power trigger. When the power trigger is released, the airflow goes back to the airflow that was set in step 2.
5. Release the power trigger and push the power lever to the start position to stop the Cruise control function.

---

## Maintenance

---

### Introduction



**WARNING:** Before you do any maintenance work you must read and understand the safety chapter.

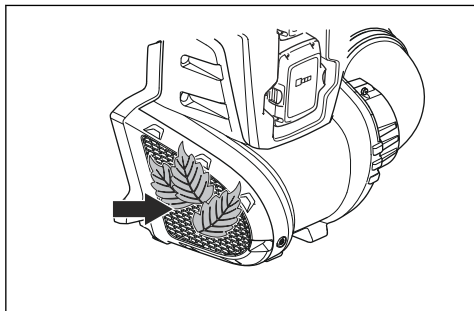
### Maintenance schedule

Maintenance	Daily	Weekly	Monthly
Clean the external surfaces of the product with a clean and dry cloth. Do not use water.	X		
Keep the handles dry and clean. Remove oil or grease.	X		
Make sure that the power lever operates correctly and is not damaged.	X		
Make sure that the power trigger operates correctly.	X		
Make sure that nuts and screws are tight.	X		
Make sure that the release buttons on the battery operates correctly and locks the battery into position.	X		
Make sure that all couplings, connections and cables are not damaged. Remove dirt.		X	
Make sure that the battery connectors are not damaged.			X

## To do a check of the air intake

the product and can cause the motor to become too hot.

1. Make sure that the air intake is not blocked.



2. Stop the product and remove unwanted material if it is necessary.



**CAUTION:** A blocked air intake decreases the performance of

## To clean the product, the battery and the battery charger

1. Clean the product with a dry cloth after use.
2. Clean the battery and battery charger with a dry cloth. Keep the battery guide tracks clean.
3. Make sure that these parts are clean before the battery is connected to the battery charger or the product:
  - a) The terminals on the batteries.
  - b) The terminals on the battery charger.
  - c) The terminals on the backpack blower.

## Troubleshooting

### Troubleshooting

Issue	Possible faults	Possible action
The product does not start.	Low battery voltage.	Charge the battery.
	Temperature deviation.	Let the product cool down.
	Dirt on battery connectors.	Clean with compressed air or a soft brush.
	Servicing is necessary.	Speak to your servicing agent.

## Transportation, storage and disposal

### Transportation and storage

- The supplied Li-ion batteries obey the Dangerous Goods Legislation requirements.
- Obey the special requirement on package and labels for commercial transportation, including by third parties and forwarding agents.
- Speak to a person with special training in dangerous material before you send the product. Obey all applicable national regulations.
- Use tape on open contacts when you put the battery in a package. Put the battery in the package tightly to prevent movement.
- Remove the battery for storage or transportation.
- Put the battery and the battery charger in a space that is dry and free from moisture and frost.
- Do not keep the battery in an area where static electricity can occur. Do not keep the battery in a metal box.
- Put the battery in storage where the temperature is between 5°C/41°F and 25°C/77°F and away from open sunlight.
- Put the battery charger in storage where the temperature is between 5 °C/41 °F and 45°C/113°F and away from open sunlight.
- Use the battery charger only when the surrounding temperature is between 5°C/41°F and 40°C/104°F.

- Charge the battery 30% to 50% before you put it in storage for long periods.
- Put the battery charger in storage in a space that is closed and dry.
- Keep the battery away from the battery charger during storage. Do not let children and other not approved persons to touch the equipment. Keep the equipment in a space that you can lock.
- Clean the product and do a full servicing before you put the product in storage for a long time.
- Use the transportation guard on the product to prevent injuries or damage on the product during transportation and storage.

- Attach the product safely during transportation.

## Disposal of the battery, battery charger and product

Symbols on the product or the package of the product means that the product is not domestic waste. Recycle it at a recycling station for electrical and electronic equipment. This helps to prevent damage to the environment and to persons.

Get in touch with your local authorities, domestic waste service or your dealer for more information about how to recycle your product.

---

## Technical data

---

### Technical data

	<b>340iBT</b>
<b>Motor</b>	
Motor type	BLDC (brushless) 36V
<b>Weight</b>	
Weight without battery, kg / lbs	6.3 / 13.9
<b>Noise emissions<sup>1</sup></b>	
Sound power level, measured dB (A)	95
Sound power level, guaranteed L <sub>WA</sub> dB (A)	97
Sound power level, measured at 50 ft. (15 m) per ANSI-B175.2	61
<b>Water protection level</b>	
All weather use	Yes
<b>Sound levels<sup>2</sup></b>	
Equivalent sound pressure level at the operator's ear, measured according to EN ISO 11203 and ISO 22868, dB (A):	79
<b>Vibration levels<sup>3</sup></b>	
Vibrations levels at handles, measured according to ISO 22867, m/s <sup>2</sup>	0.1
<b>Fan performance</b>	
Airflow in normal mode with round standard nozzle, m <sup>3</sup> /min / cfm	13.7 / 483.81

<sup>1</sup> Noise emissions in the environment measured as sound power (L<sub>WA</sub>) in conformity with EC directive 2000/14/EC. Reported sound power level for the machine has been measured with the original attachment that gives the highest level. The difference between guaranteed and measured sound power is that the guaranteed sound power also includes dispersion in the measurement result and the variations between different machines of the same model according to Directive 2000/14/EC.

<sup>2</sup> Reported data for equivalent sound pressure level for the machine has a typical statistical dispersion (standard deviation) of 3 dB (A).

<sup>3</sup> Reported data for vibration level has a typical statistical dispersion (standard deviation) of 2 m/s<sup>2</sup>.

	<b>340iBT</b>
Maximum air velocity in normal mode with round standard nozzle, m/s / mph	61 / 136.45
Maximum blow force in normal mode with round standard nozzle, N	17

## Approved batteries

Only use original Husqvarna BLi for this product.

<b>Battery</b>	<b>BLI200</b>
Type	Lithium-ion
Battery capacity, Ah	5.2
Nominal voltage, V	36
Weight, kg / lb	1.3 / 2.8

## Approved battery chargers

<b>Battery charger</b>	<b>QC330</b>	<b>QC500</b>
Input voltage, V	100-240	100-240
Frequency, Hz	50-60	50-60
Power, W	330	500

---

## Accessories

---

## Approved accessories

Approved accessories	Type, length	Art. no.
Nozzle	Flat nozzle, straight, 600 mm / 23.6 in.	579 79 75-01
	Flat nozzle, 20 degree bend, 360 mm / 14.2 in.	576 58 27-01
	Round nozzle, straight, 350 mm / 13.8 in.	576 58 18-01
	Round nozzle with metal ring, 326 mm / 12.8 in.	586 10 63-01
	Round nozzle with metal ring, 416 mm / 16.4 in.	586 10 63-02
	Intermediate pipe, 380 mm / 15.0 in.	576 58 17-01
	Round nozzle silencer, 416 mm / 16.4 in.	589 81 17-01
Sleeve	Sleeve	594 03 50-01
Wrench	T27/T20 Torx	575 88 07-01
Handlebar	Handlebar	544 40 00-04

Approved accessories	Type, length	Art. no.
Harness	Harness with hip belt	576 62 53-01



---

## Contenido

---

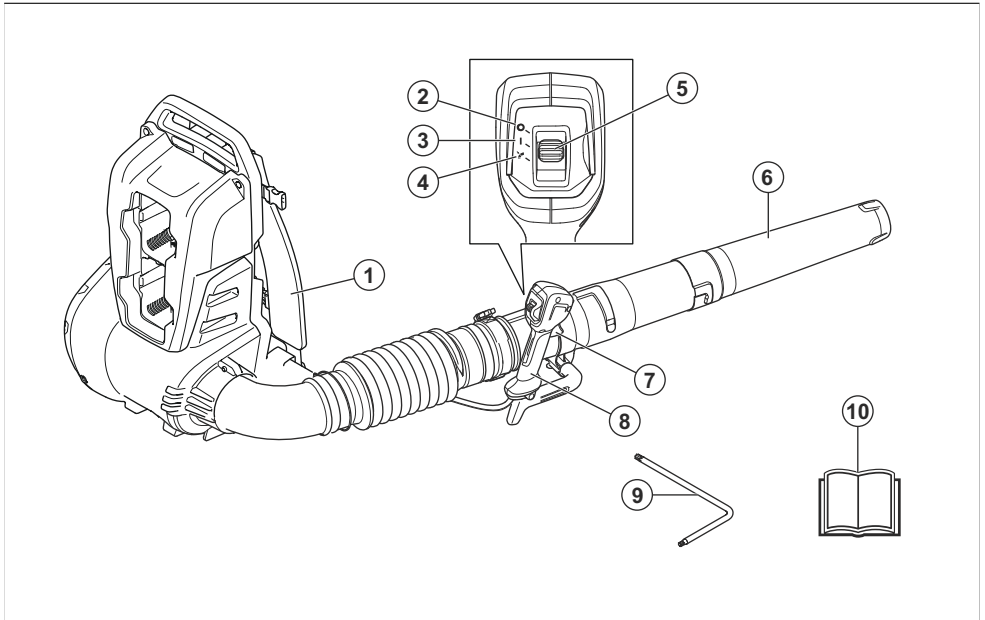
Introducción.....	17	Solución de problemas.....	29
Seguridad.....	18	Transporte, almacenamiento y eliminación de residuos.....	29
Montaje.....	24	Datos técnicos.....	30
Funcionamiento.....	26	Accesorios.....	31
Mantenimiento.....	27		

---

## Introducción

---

### Descripción general del producto



1. Arnés de mochila
2. Posición de parada
3. Posición de arranque
4. Posición de Cruise control: Ajuste el flujo de aire óptimo para la tarea
5. Palanca de encendido
6. Boquilla de la sopladora
7. Gatillo de alimentación
8. Manilla
9. Llave hexagonal
10. Manual del usuario

Se realiza un trabajo constante para aumentar su seguridad y la eficiencia durante la operación. Póngase en contacto con su taller de servicio para obtener más información.

### Uso específico

Utilice el producto para soplar hojas y otros materiales no deseados de zonas como césped, senderos y caminos de asfalto.

### Descripción del producto

El producto es una sopladora de mochila con batería y motor eléctrico.

## Símbolos en el producto



Advertencia: El producto puede ser peligroso. Tenga cuidado y utilice el producto correctamente. Este producto puede causar daños graves o fatales al operador o a otras personas. Lea atentamente el manual de instrucciones y asegúrese de que entiende las instrucciones antes de usar este producto.



Use protección ocular homologada.



Nivel de ruido "AA dB(A)" medido a 50 ft (15 m) según la norma ANSI B175.2.



ON (ENCENDIDO)



OFF (APAGADO)



Corriente continua.



No la exponga a la lluvia.



Botón Cruise control.

aaaassxxxx

La placa de características muestra el número de serie. **aaaa** es el año de producción y **ss** es la semana de producción.

## Propuesta 65 de California



## Fabricante

Husqvarna AB

Drottninggatan 2, SE-561 82 Huskvarna

## Responsabilidad del fabricante

Como se menciona en las leyes de responsabilidad del fabricante, no nos hacemos responsables de los daños que cause nuestro producto si:

- el producto se repara incorrectamente
- el producto se repara con piezas que no son del fabricante o que este no autoriza
- el producto tiene un accesorio que no es del fabricante o que este no autoriza
- el producto no se repara en un centro de servicio autorizado o por una autoridad aprobada.

## Seguridad

### Definiciones de seguridad

Las advertencias, precauciones y notas se utilizan para señalar las piezas particularmente importantes del manual.



### ADVERTENCIA:

Se utilizan para señalar el riesgo de lesiones graves o mortales para el operador o para aquellos que se encuentren cerca si no se siguen las instrucciones del manual.



### PRECAUCIÓN:

Se utilizan para señalar el riesgo de dañar la máquina, otros materiales o el área adyacente si no se siguen las instrucciones del manual.

**Nota:** Se utilizan para entregar más información necesaria en situaciones particulares.

# INSTRUCCIONES DE SEGURIDAD IMPORTANTES



## ADVERTENCIA:

Lea todas las advertencias de seguridad y todas las instrucciones. En caso de no seguir las advertencias ni las instrucciones se pueden producir sacudidas eléctricas, incendios o daños graves.

## Introducción



## ADVERTENCIA:

Lea todas las advertencias de seguridad y todas las instrucciones. En caso de no seguir las advertencias ni las instrucciones se pueden producir sacudidas eléctricas, incendios o daños graves.

## LEA TODAS LAS INSTRUCCIONES

Lea atentamente el manual de instrucciones y asegúrese de que las entiende antes de utilizar la máquina.



## ADVERTENCIA:

Para reducir el riesgo de descarga eléctrica: no exponga el producto a la lluvia. Almacene en interiores.

- No cargue el producto al aire libre.
- Utilice solo el cargador proporcionado por el fabricante para cargar. Un cargador apto para un tipo de unidad de batería puede implicar riesgo de incendio si se usa con otra unidad de batería distinta.
- No queme el aparato, incluso si presenta daños graves.
- No permita que se use como un juguete. Se necesita prestar atención cuando lo utiliza un niño o se utiliza cerca de uno.
- Utilice el producto solo de la manera descrita en este manual.
- Utilice únicamente los accesorios recomendados por los fabricantes.
- Si el aparato no funciona como debería, se ha caído, está dañado, se dejó al aire libre o se cayó al agua, llévelo a un centro de servicio.
- No manipule el cargador, incluidos el enchufe y los terminales del cargador, con las manos húmedas.

- Mantenga el cabello, la ropa suelta, los dedos y toda parte del cuerpo lejos de las aberturas y piezas móviles.
- No ponga ningún objeto en las aberturas. No utilice con una abertura bloqueada; mantener libre de polvo, pelusas, pelo y de todo aquello que pueda reducir el flujo de aire.
- Tenga especial cuidado al limpiar en escaleras.
- No lo utilice para recoger líquidos inflamables o combustibles, como gasolina, ni lo utilice en zonas donde puedan encontrar estos líquidos.

## Advertencias de seguridad generales de la herramienta eléctrica

### Para comprobar antes de poner en marcha

- Inspeccione la zona de trabajo. Quite todos los objetos sueltos, como piedras, vidrio quebrado, clavos, alambres de acero, cadenas, etc., que pudiesen salir eyectados.
- Siempre retire la batería para evitar que la máquina arranque por accidente. Siempre desconecte la batería antes de realizar cualquier mantenimiento a la máquina.
- Antes de utilizar la máquina y después de cualquier impacto, revisela en busca de desgaste o daños y repare los componentes según corresponda.
- Solo utilice piezas de repuesto originales.
- El operador de la máquina se debe asegurar de que ninguna persona o animal se acerque a menos de 15 metros mientras trabaja. Cuando haya varios operarios trabajando en el mismo lugar, la distancia de seguridad debe ser de al menos 15 metros.
- Realice una inspección general de la máquina antes de utilizarla, consulte el programa de mantenimiento.
- El uso puede estar regulado por reglamentos nacionales o locales. Cumpla con las normas indicadas.

### Seguridad personal

- **Permanezca alerta, vea lo que está haciendo y use el sentido común cuando opere una herramienta eléctrica. No utilice una herramienta eléctrica si está cansado o bajo la influencia de drogas, alcohol o medicamentos.** Un momento de distracción a la hora de operar una herramienta eléctrica puede generar daños personales graves.
- Manténgase alejado de los transeúntes.
- Este aparato no está diseñado para ser utilizado por personas (incluidos niños) con capacidades físicas, sensoriales o cognitivas reducidas, o que carezcan de la experiencia y los conocimientos necesarios, a menos que sean supervisados o hayan recibido instrucciones sobre el uso del aparato por parte de una persona responsable de su seguridad. A los niños se les debe supervisar para asegurar que no jueguen con el aparato.

- Nunca permita que los niños u otras personas no capacitadas usen o le den servicio a la máquina o la batería. Las leyes locales pueden controlar la edad del usuario.
- Mantenga a distancia a personas no autorizadas. Los niños, animales, observadores y ayudantes deben mantenerse fuera de la zona de seguridad de 15 metros (50 pies). Detenga la máquina inmediatamente si alguien se acerca.
- Almacene el equipo en un área bloqueable para que esté fuera del alcance de los niños y personas no autorizadas.
- **Vístase adecuadamente. No use ropa suelta ni joyas. Mantenga su cabello, su ropa y sus guantes alejados de las piezas en movimiento.** La ropa suelta, las joyas o el cabello largo pueden quedar atrapados en las partes que se mueven.
- No utilice nunca la máquina si está cansado, si ha ingerido alcohol o si toma medicamentos que puedan afectar la vista, su capacidad de discernimiento o la coordinación.
- Use equipo de protección personal. Consulte las instrucciones bajo el título "Equipo de protección personal".
- Siempre retire la batería cuando otra persona deba operar la máquina.
- Tenga en cuenta que usted, el operador, es responsable de no exponer a las personas o su propiedad a accidentes o peligros.

## Uso y cuidado de la herramienta eléctrica

- Solo utilice una máquina que haya sido modificada para el propósito que fue fabricada. Nunca utilice la máquina cerca de materiales explosivos o inflamables.
- Nunca utilice una máquina que esté defectuosa. Realice las comprobaciones de seguridad, el mantenimiento y las instrucciones de servicio descritas en este manual. Especialistas capacitados y calificados deben llevar a cabo algunas medidas de mantenimiento y servicio. Consulte las instrucciones en el capítulo Mantenimiento.
- Solo utilice piezas de repuesto originales.
- Asegúrese de que las aberturas de ventilación estén despejadas y no tengan suciedad.
- Todas las cubiertas, blindajes y manillas se deben montar antes del uso.
- Solo utilice la máquina con luz de día o en condiciones de buena iluminación.
- No utilice nunca la máquina en condiciones meteorológicas adversas, por ejemplo, en caso de niebla, lluvia, humedad o en lugares con humedad, vientos fuertes, frío intenso, riesgo de rayos, etc. El clima extremadamente caluroso puede causar que la máquina se sobrecaliente. El uso del producto en condiciones climáticas desfavorables, implicará su desgaste y que se propicien circunstancias

peligrosas como el desplazamiento por superficies resbalosas.

- Si la máquina se pone a vibrar anormalmente, pare la máquina y retire la batería.
- Camine, nunca corra.

## Uso de la batería y seguridad

- **Utilice los aparatos únicamente con las unidades de batería diseñados específicamente para ellos.** El uso de otras unidades de batería puede implicar riesgo de lesiones e incendio.
- **Cuando la unidad de batería no esté en uso, manténgala alejada de otros objetos metálicos, como sujetapapeles, monedas, llaves, clavos, tornillos u otros objetos metálicos pequeños que puedan provocar una conexión entre los terminales.** Si hace un puente entre los terminales de la batería, puede causar quemaduras o un incendio.
- **En condiciones extremas, la batería puede expulsar líquido; evite el contacto. Si se produjera un contacto accidentalmente, enjuáguese con agua. Si el líquido entra en contacto con los ojos, además, acuda a un médico.** El líquido expulsado de la batería puede causar irritaciones o quemaduras.
- **No utilice una unidad de batería ni un aparato dañado o modificado.** Las baterías dañadas o modificadas pueden presentar un comportamiento impredecible que puede ocasionar incendios, explosiones o riesgo de lesiones.
- **No exponga una unidad de batería ni un aparato al fuego o a una temperatura excesiva.** La exposición al fuego o una temperatura superior a 130 °C (266 °F) puede causar una explosión.
- **Siga todas las instrucciones de carga y no cargue la batería ni el aparato en condiciones que superen el rango de temperatura especificado en las instrucciones.** La carga inadecuada o a temperaturas fuera del rango especificado puede dañar la batería y aumentar el riesgo de incendio.

## Instrucciones generales de seguridad



### ADVERTENCIA:

Lea atentamente las instrucciones de advertencia siguientes antes de usar el producto.

- El uso incorrecto o descuidado de la máquina puede significar un riesgo de daños mortales o graves al operador u a otras personas. Debe leer y comprender el contenido de este manual de usuario.
- Bajo ninguna circunstancia se puede modificar el diseño del producto sin autorización del fabricante. No utilice nunca un producto que ha sido modificado de cualquier modo con respecto a la especificación original y utilice siempre accesorios originales. Las modificaciones o accesorios no autorizados pueden provocar daños personales o la muerte del operador

u otras personas. Es posible que su garantía no cubra daños o responsabilidades causadas por el uso de accesorios o piezas de repuesto no autorizados.

- En este producto se genera un campo electromagnético durante su funcionamiento. Este campo puede, en determinadas circunstancias, interferir con implantes médicos activos o pasivos. Para reducir el riesgo de lesiones graves o fatales, recomendamos a las personas con implantes médicos consultar a su médico y al fabricante del implante médico antes de usar esta máquina.
- Quite la batería del producto antes de realizar la carga.

## Instrucciones de seguridad para el funcionamiento



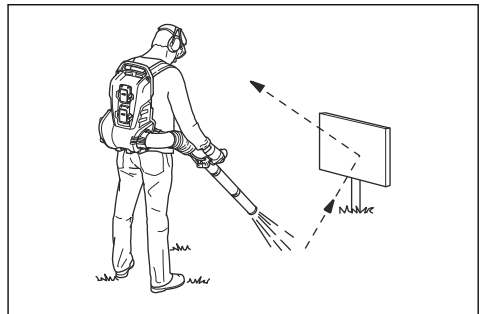
### ADVERTENCIA:

Lea atentamente las instrucciones de advertencia siguientes antes de usar el producto.

- Si se encuentra en una situación en la que no está seguro de cómo proceder, debe preguntarle a un experto. Póngase en contacto con el distribuidor o el taller de servicio. Evite todos los usos que considere que están más allá de su capacidad.
- No permita que los niños utilicen o se acerquen al producto. Ya que el producto es fácil de encender, los niños podrían hacerlo si no se les vigila lo suficiente. Esto puede significar riesgo de daños personales graves. Desconecte la batería cuando el producto no esté bajo una supervisión total.
- Asegúrese de que ninguna persona o animal se acerque a menos de 15 metros (50 pies) mientras trabaja. Cuando haya varios usuarios trabajando en el mismo lugar, la distancia de seguridad debe ser de al menos 15 metros. De lo contrario, existe el riesgo de daños personales graves. Detenga el producto de inmediato si alguien se acerca. Nunca balancee el producto sin mirar primero hacia atrás, para asegurarse de que nadie se encuentre dentro de la zona de seguridad.
- Cerciórese de que puede caminar y mantenerse de pie con seguridad. Revise el área a su alrededor para detectar posibles obstáculos (raíces, piedras, ramas, zanjas, etc.) en caso de que tenga que moverse repentinamente. Tenga sumo cuidado al trabajar en terreno inclinado.
- Mantenga un buen equilibrio en todo momento. No se estire demasiado.
- Preste atención a las señales de advertencia o gritos cuando utilice protectores auriculares. Siempre retire sus protectores auriculares apenas se detenga el producto.
- Muestre consideración a las personas en su entorno y evite utilizar el producto en horas inadecuadas, por ejemplo, tarde durante la noche o temprano durante

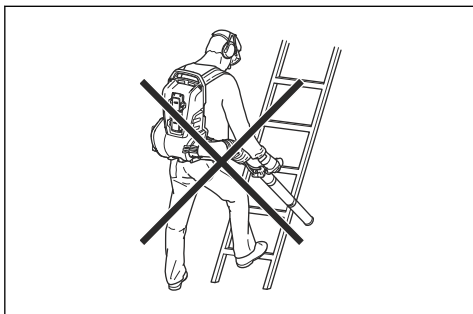
la mañana. Siga las normativas y las disposiciones locales.

- Utilice el producto con el menor flujo de aire posible. Rara vez es necesario utilizar un flujo de aire máximo, y varios procedimientos de trabajo se pueden realizar con un flujo de aire medio. Un flujo de aire bajo significa menos ruido y menos polvo, y también permite un mayor control de los residuos recolectados o trasladados.
- Utilice un rastrillo o un cepillo para despegar los residuos adheridos al suelo.
- Mantenga la apertura de la sopladora lo más cerca posible del suelo.
- Mire sus alrededores. No apunte el producto a personas, animales, áreas de juego, autos, etc.
- Minimice el tiempo de soplado humedeciendo ligeramente las zonas polvorosas o utilizando un equipo de pulverización.
- Tenga en cuenta la dirección del viento. Trabaje utilizando el viento a su favor para facilitar el trabajo.
- Detenga el producto y retire la batería si este comienza a vibrar de manera anormal.
- El uso del producto para mover grandes pilas toma tiempo y genera ruido innecesario.
- Limpie después de utilizar. Asegúrese de no soplar residuos hacia la propiedad de terceras personas.
- No corra con el producto.
- Las fuertes corrientes de aire pueden mover objetos a tal velocidad que pueden rebotar y causar lesiones oculares graves.



- No dirija el flujo de aire hacia personas o animales.
- Detenga el motor antes de montar o desmontar los accesorios u otras piezas.
- Mantenga todas las partes del cuerpo lejos de las superficies calientes.
- Nunca deje el producto en el suelo mientras esté activado, a menos de que lo tenga a la vista.

- El producto no se debe utilizar mientras se encuentra sobre una escalera o en un andamio.



- No utilice el producto a menos que sea capaz de pedir ayuda en caso de accidente.
- Esté atento a que no salgan objetos despedidos. Es posible que las piedras, residuos, etc., salgan despedidos en dirección a los ojos y le causen ceguera o lesiones graves.
- Utilice un dispositivo de corriente residual (RCD, del inglés Residual-Current Device) para aumentar la seguridad cuando cargue el producto. Los interruptores diferenciales están equipados para proteger a los operadores en caso de que ocurra alguna falla eléctrica.
- Este producto es reconocido por su baja carga de vibración. La sobreexposición a las vibraciones puede producir trastornos vasculares o nerviosos en personas que padecen de trastornos circulatorios. Póngase en contacto con su médico si experimenta síntomas de la sobreexposición a las vibraciones. Estos síntomas son entumecimiento, pérdida de sensibilidad, hormigueo, ardor, dolor, pérdida de fuerza, cambios en el color o el estado de la piel. Normalmente, estos síntomas se presentan en los dedos, manos o muñecas.
- Utilice el producto únicamente para el uso al que está destinado.
- No es posible abordar todas las situaciones posibles que puede afrontar. Siempre tenga cuidado y use su sentido común. Evite todas las situaciones que considere que están más allá de su capacidad. Si todavía se siente inseguro acerca de los procedimientos operativos después de leer estas instrucciones, debería consultar a un experto antes de continuar.
- Siempre se debe utilizar el arnés cuando se trabaja con el producto. De lo contrario, no podrá maniobrar de forma segura y esto puede ocasionarle daños a usted o a otras personas.
- Evite el arranque accidental. Asegúrese de que la palanca de encendido esté en la posición de detención antes de conectar la batería, recoger o transportar el aparato. Transportar el aparato con el dedo sobre el interruptor o energizar un aparato que tenga el interruptor en la posición de encendido puede provocar accidentes.

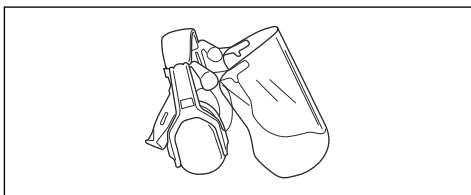
## Equipo de protección personal



## ADVERTENCIA:

Lea atentamente las instrucciones de advertencia siguientes antes de usar el producto.

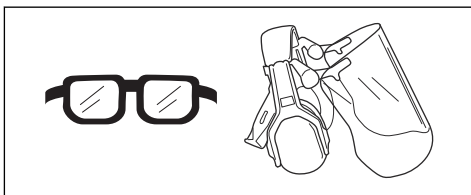
- Utilice siempre el equipo de protección personal adecuado cuando use el producto. El equipo de protección personal no puede impedir el riesgo de lesiones, pero disminuirá el grado de lesión si ocurre un accidente. Permita que su distribuidor le ayude seleccionar el equipo adecuado.
- La exposición prolongada al ruido puede causar la pérdida de la audición. En general, los productos con alimentación mediante batería son relativamente silenciosos, pero pueden producir daños por medio de una combinación entre el nivel de ruido y el uso prolongado. recomienda que los operadores utilicen protectores auriculares cuando utilicen productos durante días enteros. Los usuarios recurrentes y habituales deben procurar acudir a exámenes auditivos con regularidad.



## ADVERTENCIA:

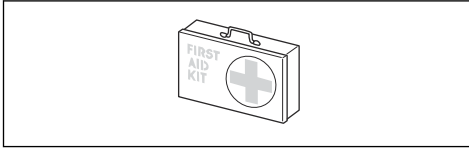
Los protectores auriculares limitan la capacidad de escuchar sonidos y señales de advertencia.

- Use protección ocular homologada. Si utiliza un visor, también debe usar gafas protectoras homologadas. Las gafas protectoras homologadas deben cumplir con la norma ANSI Z87.1 de EE. UU. o EN 166 para países de la UE.



- Utilice ropa de material resistente. Use siempre pantalones largos y gruesos, y mangas largas. Evite usar ropas holgadas que se puedan enganchar con ramas. No trabaje con joyas, pantalones cortos, sandalias ni con los pies descalzos. Asegure su cabello por encima del nivel de los hombros.

- Mantenga un equipo de primeros auxilios a mano.



- Se debe utilizar una máscara respiratoria cuando exista riesgo de polvo.

## Dispositivos de seguridad en el producto



# ADVERTENCIA:

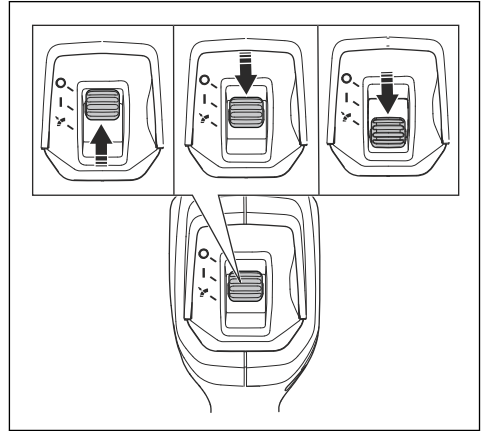
Lea atentamente las instrucciones de advertencia siguientes antes de usar el producto.

- En esta sección se describen las características de seguridad del producto y su propósito, y cómo deben llevarse a cabo las comprobaciones y el mantenimiento para asegurarse de que funciona correctamente. Consulte las instrucciones bajo el título *Introducción en la página 17* para ver dónde están situados estos componentes en el producto.
- La vida útil del producto se puede reducir y el riesgo de accidentes puede aumentar si el mantenimiento del producto no se realiza correctamente y si el servicio o las reparaciones no se llevan a cabo de forma profesional. Si necesita más información, comuníquese con su taller de servicio más cercano.
- No utilice nunca un producto con componentes de seguridad defectuosos. El equipo de seguridad del producto se debe inspeccionar y mantener tal como se describe en esta sección. Si el producto no pasa exitosamente alguna de estas comprobaciones, póngase en contacto con el taller de servicio para que lo reparen.
- Todos los trabajos de mantenimiento y reparación del producto requieren una formación especial. Esto aplica especialmente al equipo de seguridad del producto. Si el producto no pasa exitosamente alguna de las comprobaciones indicadas a continuación, póngase en contacto con el taller de servicio. La compra de alguno de nuestros productos le garantiza la disponibilidad de mantenimiento y servicio profesionales. Si el comerciante que vende el producto no es un concesionario de servicio, pídale la dirección del taller de servicio más cercano.

## Para verificar el funcionamiento de la palanca de encendido

1. Suelte el gatillo de alimentación y asegúrese de que el producto se detenga.

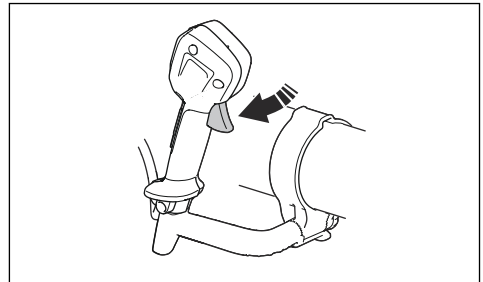
2. Mueva la palanca de encendido a la posición de detención.



3. Asegúrese de que el gatillo de alimentación esté bloqueado.
4. Mueva la palanca de encendido a la posición de arranque.
5. Asegúrese de que el gatillo de alimentación se mueva libremente.
6. Mueva la palanca de encendido a la posición de control de crucero.
7. Asegúrese de que el gatillo de alimentación se mueva libremente.

## Para comprobar el funcionamiento del gatillo de alimentación

1. Asegúrese de que la palanca de encendido no esté en la posición de detención.
2. Presione y suelte el gatillo de alimentación para asegurarse de que se mueve sin problemas.



## Seguridad del arnés



# ADVERTENCIA:

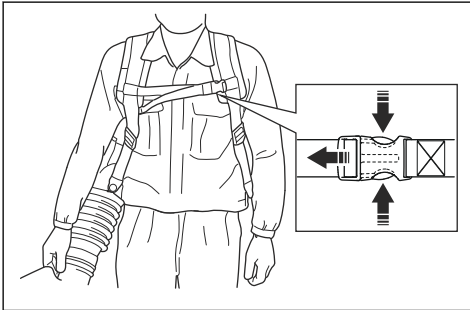
Lea las siguientes instrucciones de advertencia antes de hacer funcionar el producto.

Siempre se debe utilizar el arnés cuando se trabaja con el producto. De lo contrario, no podrá maniobrar de forma segura y esto puede ocasionarle daños a usted o a otras personas. Asegúrese de que la correa del pecho esté fijada y ajustada correctamente. Existe el riesgo de que una correa abierta se atasque o que el ventilador del producto la aspire.

### Para utilizar la función de apertura rápida

Si ocurre una emergencia, retire el soplador de mochila rápidamente.

1. Presione el sujetador y quite las correas.



2. Retire el arnés.

### Instrucciones de seguridad para el mantenimiento



## ADVERTENCIA:

Lea atentamente las instrucciones de

advertencia antes de realizar mantenimiento al producto.

- Retire la batería antes de hacer el mantenimiento, otras revisiones o el armado del producto.
- El operador solo debe hacer el mantenimiento y el servicio que se indica en el manual del usuario. Comuníquese con su concesionario de servicio cuando deba realizar mantenimiento y servicio a mayor escala.
- Mantenga todas las tuercas, pernos y tornillos apretados para asegurarse de que el equipo se encuentre en condiciones de trabajo seguras.
- Reemplace las piezas desgastadas o dañadas.
- Si no realiza el mantenimiento, disminuye la vida útil del producto y aumenta el riesgo de accidentes.
- Se necesita capacitación especial para todos los trabajos de servicio y reparación, especialmente de los dispositivos de seguridad del producto. Si no se aprueban todas las verificaciones establecidas en este manual de usuario después de realizar el mantenimiento, comuníquese con el concesionario de servicio. Garantizamos que existen reparaciones y servicios profesionales disponibles para su producto.
- Solo utilice piezas de repuesto originales.

# GUARDE ESTAS INSTRUCCIONES

## Montaje

### Introducción

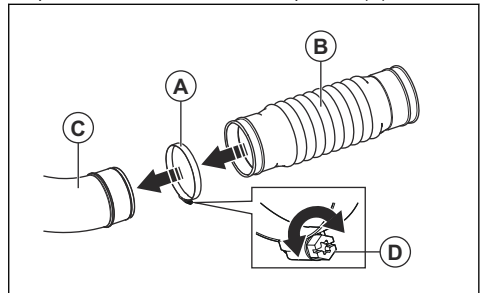


## ADVERTENCIA:

Asegúrese de leer y comprender el capítulo de seguridad antes de montar el producto.

### Para montar el tubo y el mango en el producto

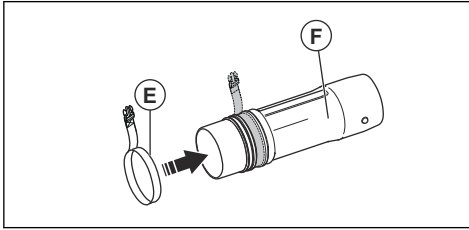
1. Coloque la abrazadera (A) en el tubo flexible (B) y presiónelo en la salida de la sopladora (C).



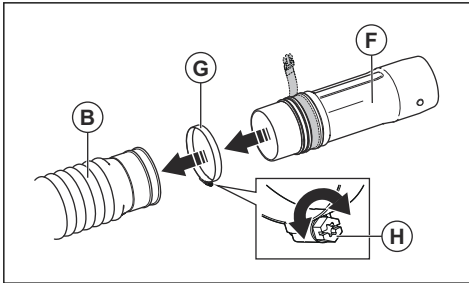
2. Coloque el tornillo (D) en la abrazadera que se encuentra debajo del tubo y apriete el tornillo.



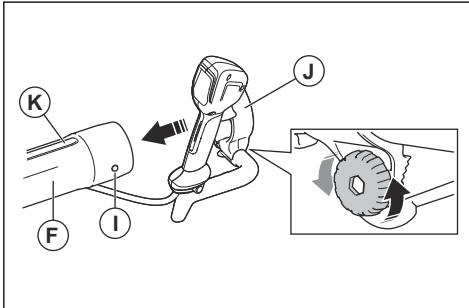
3. Fije la correa de transporte (E) al riel guía de la unión giratoria (H).



4. Coloque la abrazadera (G) en el tubo flexible (B) y fije la unión giratoria (F).

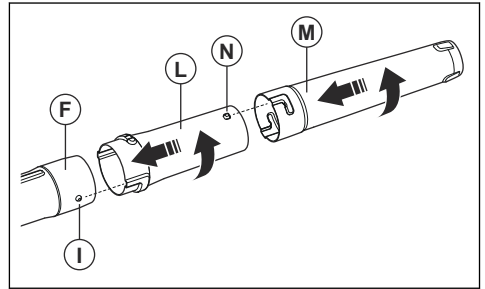


5. Coloque el tornillo (H) en la abrazadera que se encuentra debajo del tubo y apriete el tornillo.
6. Alinee las perillas (I) a cada lado de la unión giratoria (F).

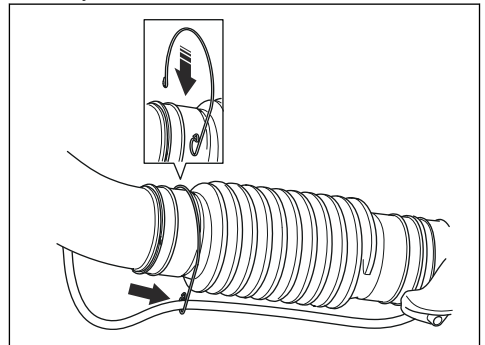


7. Fije el mango de operación (J) al riel guía (K) de la unión giratoria (F). Asegúrese de que el tornillo en el mango de operación se encuentre en la parte inferior del tubo de control.
8. Apriete por completo el tornillo en el mango de operación.

9. Conecte el tubo intermedio (L) a la unión giratoria (F). Asegúrese de que la perilla (I) esté alineada con el riel guía del tubo intermedio.



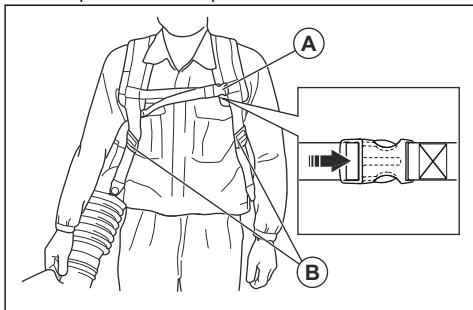
10. Gire el tubo intermedio (L) por completo para bloquear la unión giratoria (F) y el tubo intermedio.
11. Conecte el tubo de soplado (M) al tubo intermedio (L). Asegúrese de que la perilla (N) en el tubo intermedio apunte hacia arriba y que se introduzca en el riel guía del tubo de soplado.
12. Gire el tubo de soplado por completo para bloquear el tubo intermedio y el tubo de soplado.
13. Conecte el anclaje del cable al tubo flexible. Coloque el cable del mango de operación en el bucle del anclaje del cable.



## Para ajustar el arnés

Ajuste el arnés para obtener la mejor posición de trabajo.

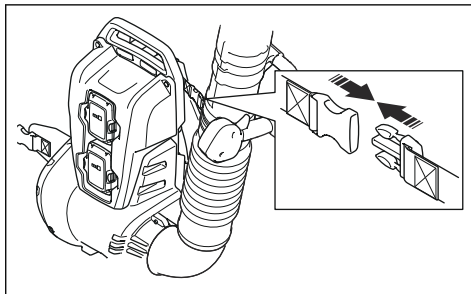
1. Coloque el arnés del producto.



2. Apriete las correas de los hombros (B) hasta que el arnés esté ajustado al cuerpo.
3. Conecte la correa para el pecho al sujetador (A).
4. Apriete la correa del pecho.

## Para poner el producto en modo de transporte

1. Gire el tubo de la sopladora hasta que apunte hacia arriba.



2. Conecte el sujetador de transporte.

## Funcionamiento

### Introducción



## ADVERTENCIA:

Asegúrese de leer y comprender el capítulo de seguridad antes de utilizar el producto.

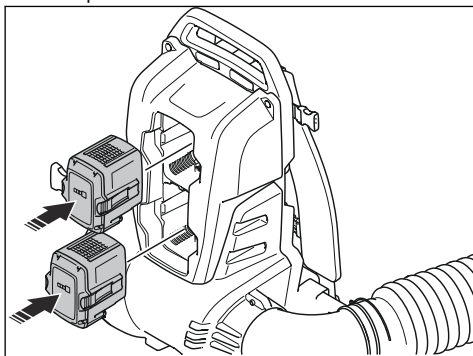
### Para conectar la batería al producto



## ADVERTENCIA:

Utilice solo baterías originales Husqvarna en el producto.

1. Asegúrese de que la batería esté totalmente cargada.
2. Presione la batería en el compartimiento de batería de la mochila. Cuando escuche un clic, significará que la batería se encuentra fija en su posición correspondiente.

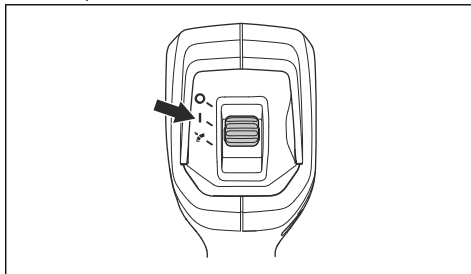


**PRECAUCIÓN:** Si la batería no se mueve con facilidad, la instalación de la batería no se realizó correctamente. Esto puede provocar daños al producto.

3. Asegúrese de que la batería esté correctamente instalada.

### Para poner en marcha el producto

1. Mueva la palanca de encendido a la posición de arranque.

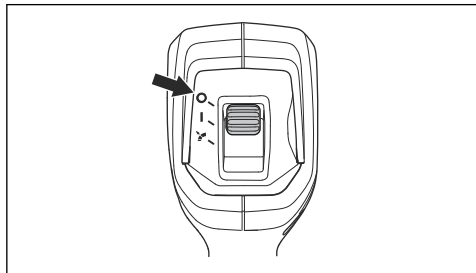


2. Utilice el gatillo de alimentación para controlar la velocidad.

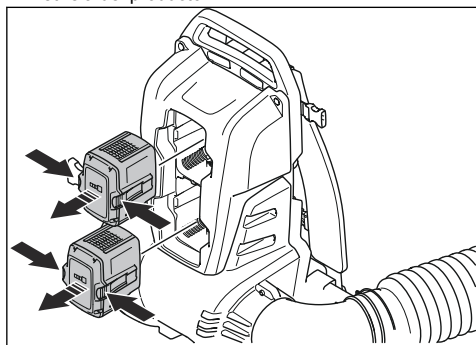
### Para detener la máquina

1. Suelte el gatillo de alimentación.

2. Mueva la palanca de encendido a la posición de detención.



3. Presione los botones de liberación de la batería y retírela del producto.



## Función de apagado automático

El producto cuenta con una función de apagado automático, que detiene el producto si no se utiliza. El producto se apaga después de 30 minutos.

## Comportamiento funcional

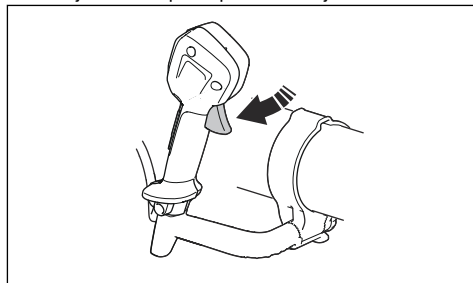
El producto se puede utilizar con una sola batería en cualquiera de los compartimientos o con dos baterías. Si se instalan dos baterías, el producto comenzará a utilizar la batería del compartimiento inferior antes de utilizar la batería superior. En condiciones normales, el producto cambiará a la segunda batería cuando la primera se descargue. En circunstancias especiales, el producto cambiará de batería varias veces para enfriarlas.

Si se utiliza BLi10 o BLi100 en el producto, se limitarán las rpm para proteger las baterías.

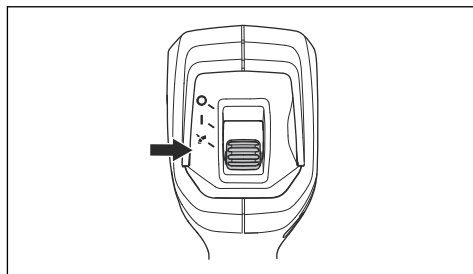
Para evitar que las baterías se sobrecalienten cuando no sea posible cambiarlas, el producto reducirá las rpm para garantizar un tiempo de funcionamiento completo.

## Para hacer funcionar la función de control de cruceo

1. Presione el gatillo de alimentación para seleccionar el flujo de aire óptimo para el trabajo.



2. Empuje la palanca de encendido a la posición Cruise control para ajustar el flujo de aire seleccionado.



3. Continúe el trabajo con el flujo de aire seleccionado sin mantener presionado el gatillo de alimentación.
4. Para aumentar el flujo de aire, presione el gatillo de alimentación. Cuando se suelta el gatillo de alimentación, el flujo de aire vuelve al establecido en el paso 2.
5. Suelte el gatillo de alimentación y mueva la palanca de encendido a la posición de arranque para detener la función Cruise control.

---

## Mantenimiento

---

### Introducción



## ADVERTENCIA:

Antes de realizar el mantenimiento, debe leer y entender el capítulo de seguridad.

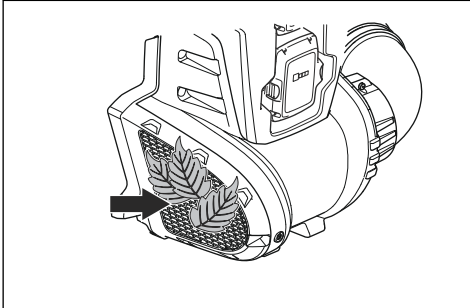
---

## Programa de mantenimiento

Mantenimiento	Diario	Una vez por semana	Una vez al mes
Limpie la superficie exterior del producto con un paño limpio y seco. No utilice agua.	X		
Mantenga los mangos secos y limpios. Retire el aceite o grasa.	X		
Asegúrese de que la palanca de encendido funcione correctamente y que no presente daños.	X		
Asegúrese de que el gatillo de alimentación funcione correctamente.	X		
Asegúrese de que las tuercas y los tornillos estén apretados.	X		
Asegúrese de que los botones de liberación de la batería funcionen correctamente y que la batería quede fijada en su posición.	X		
Asegúrese de que ninguna de las juntas, conexiones y cables presenten daños. Quite la suciedad.		X	
Asegúrese de que los conectores de la batería no estén dañados.			X

### Para comprobar la toma de aire

1. Asegúrese de que la toma de aire no esté obstruida.



2. Detenga el producto y quite el material no deseado de ser necesario.

rendimiento del producto y puede provocar que el motor se caliente demasiado.

### Para limpiar el producto, la batería y el cargador de batería

1. Limpie el producto con un paño seco después del uso.
2. Limpie la batería y el cargador de la batería con un paño seco. Mantenga limpios los rieles de guía de la batería.
3. Asegúrese de que estas piezas estén limpias antes de conectar la batería al cargador o al producto:
  - a) Los terminales de las baterías.
  - b) Los terminales del cargador de la batería.
  - c) Los terminales de la sopladora de mochila.



## PRECAUCIÓN:

Una toma de aire bloqueada disminuye el

---

## Solución de problemas

---

### Solución de problemas

Problema	Posibles fallas	Posible medida
El producto no arranca.	Voltaje de batería bajo.	Cargue la batería.
	Variación de temperatura.	Deje que el producto se enfríe.
	Suciedad en los conectores de la batería.	Limpia con aire comprimido o un cepillo suave.
	Se requiere mantenimiento.	Comuníquese con su taller de servicio.

---

## Transporte, almacenamiento y eliminación de residuos

---

### Transporte y almacenamiento

- Las baterías de iones de litio proporcionadas siguen los requisitos de la Legislación de productos peligrosos.
- Siga los requisitos especiales sobre el embalaje y las etiquetas para transportes comerciales, incluidos los de terceros y transportistas.
- Comuníquese con una persona con capacitación especial sobre materiales peligrosos antes de enviar el producto. Siga todas las normas nacionales aplicables.
- Utilice cinta sobre los contactos abiertos cuando coloque la batería en un paquete. Coloque firmemente la batería en el paquete para evitar el movimiento.
- Retire la batería para almacenarla o transportarla.
- Coloque la batería y el cargador de la batería en un lugar seco, donde no haya humedad ni heladas.
- No mantenga la batería en un área donde pueda generarse electricidad estática. No mantenga la batería en una caja metálica.
- Guarde la batería en un lugar donde la temperatura oscile entre los 5 °C/41 °F y los 25 °C/77 °F, lejos de la luz solar directa.
- Guarde el cargador de la batería en un lugar donde la temperatura oscile entre los 5 °C/41 °F y los 45 °C/113 °F, lejos de la luz solar directa.
- Utilice el cargador de la batería solamente cuando la temperatura ambiente oscile entre los 5 °C/41 °F y los 40 °C/104 °F.

- Cargue la batería de un 30 % a un 50 % antes de almacenarla durante períodos prolongados.
- Almacene el cargador de la batería en un espacio cerrado y seco.
- Mantenga la batería lejos del cargador de la batería durante el almacenamiento. No permita que niños y otras personas sin autorización toquen el equipo. Mantenga el equipo en un espacio que pueda cerrar.
- Limpie el producto y realice un mantenimiento total antes de almacenarlo durante un período prolongado.
- Utilice protección para transportes en el producto para evitar lesiones o daños en el producto durante su transporte y almacenamiento.
- Fije el producto de manera segura durante el transporte.

### Eliminación de la batería, el cargador de la batería y el producto

Los símbolos que aparecen en el producto o en el paquete del producto indican que los componentes no constituyen residuos domésticos. Recíclelo en una planta de reciclaje para equipo eléctrico y electrónico. Esto ayuda a evitar daños al medioambiente y a las personas.

Póngase en contacto con las autoridades locales, de residuos domésticos o con su distribuidor para obtener más información sobre cómo reciclar el producto.

---

## Datos técnicos

---

### Datos técnicos

	<b>340IBT</b>
<b>Motor</b>	
Tipo de motor	BLDC (sin escobillas), 36 V
<b>Peso</b>	
Peso sin la batería, kg/lb	6,3/13,9
<b>Emisiones sonoras<sup>4</sup></b>	
Nivel de potencia acústica, medido en dB (A)	95
Nivel de potencia acústica garantizada $L_{WA}$ dB (A)	97
Nivel sonoro, medido a 50 ft (15 m) per ANSI-B175.2	61
<b>Nivel de protección contra el agua</b>	
Disponible para todo tipo de clima	Sí
<b>Niveles sonoros<sup>5</sup></b>	
Nivel de presión acústica equivalente en el oído del operador, medido según las normas EN ISO 11203 e ISO 22868, dB (A):	79
<b>Niveles de vibración<sup>6</sup></b>	
Niveles de vibración en los mangos, medidos según la norma ISO 22867, $m/s^2$	0,1
<b>Rendimiento del ventilador</b>	
Flujo de aire en modo normal con boquilla estándar redonda, $m^3/min/cfm$	13,7/483,81
Velocidad máxima del aire en modo normal con boquilla estándar redonda, m/s/mpH	61/136,45
Máxima fuerza de soplado en modo normal con boquilla estándar redonda, N	17

### Baterías aprobadas

Solo utilice Husqvarna BLi originales para este producto.

---

<sup>4</sup> Las emisiones sonoras en el medioambiente medidas como potencia acústica ( $L_{WA}$ ) en conformidad con la directiva CE 2000/14/CE. El nivel de potencia acústica registrado para la máquina se midió con el equipo original que proporciona el más alto nivel. La diferencia entre la potencia acústica garantizada y medida es que la potencia acústica garantizada también incluye la dispersión en el resultado de la medición y las variaciones entre las distintas máquinas del mismo modelo según la directiva 2000/14/CE.

<sup>5</sup> Los datos registrados para el nivel de presión acústica equivalente de la máquina tienen una dispersión estadística típica (desviación estándar) de 3 dB (A).

<sup>6</sup> Los datos informados en cuanto al nivel de vibración tienen una dispersión estadística típica (desviación estándar) de 2  $m/s^2$ .

<b>Batería</b>	<b>BLI200</b>
Tipo	iones de litio
Capacidad de la batería, Ah	5,2
Voltaje nominal, V	36
Peso, kg/lb	1,3/2,8

### Cargadores de batería aprobados

<b>Cargador de batería</b>	<b>QC330</b>	<b>QC500</b>
Voltaje de entrada, V	100-240	100-240
Frecuencia, Hz	50-60	50-60
Potencia, W	330	500

---

## Accesorios

---

### Accesorios aprobados

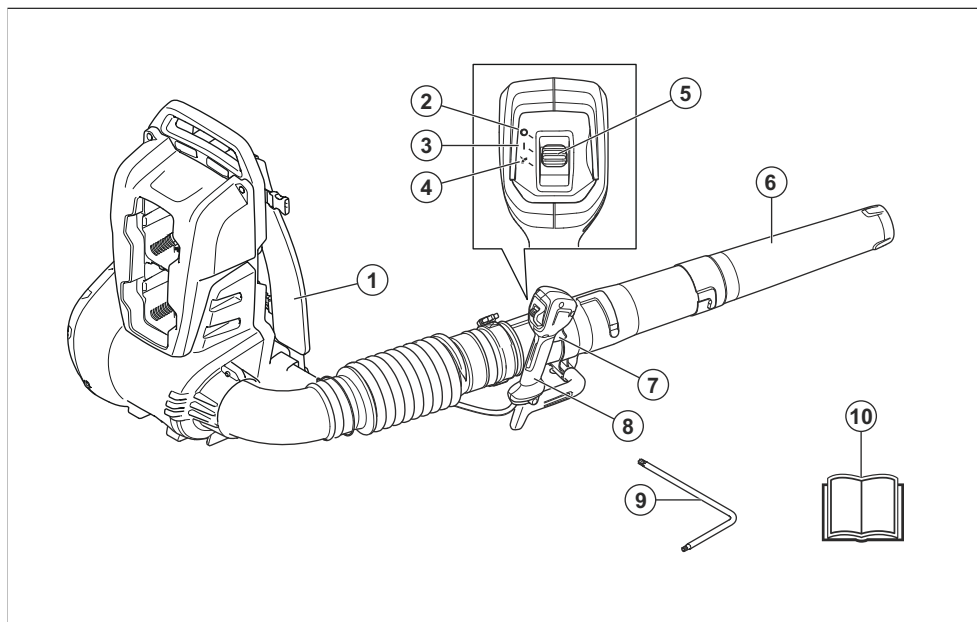
<b>Accesorios aprobados</b>	<b>Tipo, longitud</b>	<b>N.º de art.</b>
Boquilla	Boquilla plana, recta, 600 mm (23,6 pulg.)	579 79 75-01
	Boquilla plana, curva de 20 grados, 360 mm (14,2 pulg.)	576 58 27-01
	Boquilla redonda, recta, 350 mm (13,8 pulg.)	576 58 18-01
	Boquilla redonda con anillo de metal, 326 mm (12,8 pulg.)	586 10 63-01
	Boquilla redonda con anillo de metal, 416 mm (16,4 pulg.)	586 10 63-02
	Tubo intermedio, 380 mm (15 pulg.)	576 58 17-01
	Silenciador de boquilla redonda, 416 mm (16,4 pulg.)	589 81 17-01
Manguito	Manguito	594 03 50-01
Llave	Torx T27/T20	575 88 07-01
Manillar	Manillar	544 40 00-04
Arnés	Arnés con correa de cadera	576 62 53-01

## Table des matières

Introduction.....	32	Dépannage.....	44
Sécurité.....	33	Transport, entreposage et mise au rebut.....	44
Montage.....	39	Caractéristiques techniques.....	45
Fonctionnement.....	41	Accessoires.....	46
Entretien.....	43		

## Introduction

### Présentation du produit



1. Harnais dorsal
2. Position Stop
3. Position de démarrage
4. Position Cruise control : Régler le débit d'air optimal pour votre travail
5. Levier de puissance
6. Buse
7. Gâchette
8. Poignée
9. Clé hexagonale
10. Manuel d'utilisation

### Description du produit

Le produit est un souffleur dorsal à batterie avec moteur électrique.

Le travail est constamment en cours pour augmenter votre sécurité et l'efficacité pendant l'utilisation. Pour obtenir de plus amples renseignements, communiquer avec votre centre de services.

### Utilisation prévue

Utiliser ce produit pour souffler les feuilles et les autres matériaux indésirables des zones telles que des pelouses, des allées et des voies asphaltées.



## Symboles figurant sur le produit



Avertissement! Cet appareil peut être dangereux! Faire attention et utiliser le produit correctement. Cet outil peut causer des blessures graves, ou même mortelles, à l'utilisateur et à d'autres personnes. Lire soigneusement le manuel d'instructions et veiller à bien comprendre les directives avant d'utiliser cette machine.



Utiliser un dispositif de protection homologué pour les yeux.



Niveau de bruit « AADB(A) » mesuré à 15 m (50 pi) selon la norme ANSI B175.2.



MARCHE



ÉTEINTS



Courant continu.



Ne pas exposer aux intempéries.



Bouton Cruise control

aaaassxxxx

La plaque signalétique indique le numéro de série où **yyyy** représente l'année de production et **ww** la semaine de production.

## Proposition 65 de la Californie



## Fabricant

Husqvarna AB

Drottninggatan 2, SE-561 82 Huskvarna

## Responsabilité concernant le produit

Comme indiqué dans les lois en vigueur sur la responsabilité concernant les produits, nous ne serons pas tenus responsables des dommages que notre produit causerait dans les situations suivantes :

- Le produit n'est pas réparé de façon adéquate.
- Le produit est réparé avec des pièces qui ne sont pas fournies ou homologuées par le fabricant.
- Le produit comprend un accessoire qui n'est pas fourni ou homologué par le fabricant.
- Le produit n'est pas réparé par un centre de service après-vente agréé ou par une autorité homologuée.

## Sécurité

### Définitions relatives à la sécurité

Les avertissements, recommandations et remarques soulignent des points du manuel qui revêtent une importance particulière.



## AVERTISSEMENT :

Indique la présence d'un risque de blessure ou de décès de l'utilisateur ou de personnes à proximité si les instructions du manuel ne sont pas suivies.



## MISE EN GARDE :

Indique la présence d'un risque de dommages au produit, à d'autres appareils ou à la zone adjacente si les instructions du manuel ne sont pas suivies.

**Remarque :** Utilisé pour donner des renseignements plus détaillés qui sont nécessaires dans une situation donnée.

# IMPORTANTES CONSIGNES DE SÉCURITÉ



## AVERTISSEMENT

Lire toutes les instructions et consignes de sécurité. Le non-respect de ces instructions et consignes peut provoquer une électrocution, un incendie et des blessures graves.

- Ne pas manipuler le chargeur, y compris sa fiche et ses bornes, avec des mains humides.
- Tenir les cheveux, les vêtements amples, les doigts et toute autre partie du corps éloignés des ouvertures et des pièces en mouvement.
- N'insérer aucun objet dans les ouvertures. Ne pas utiliser si une ouverture est bloquée. Nettoyer les ouvertures pour éliminer la poussière, les mousses, les poils ou tout ce qui pourrait obstruer le passage de l'air.
- Porter une attention particulière lors du nettoyage dans les escaliers.
- Ne pas utiliser pour ramasser un liquide combustible ou inflammable ou à proximité d'un tel liquide.

## Consignes générales de sécurité relatives aux outils électriques

### Vérification avant l'utilisation

- Inspecter la zone de travail. Retirer tous les objets mobiles tels que les pierres, le verre cassé, les clous, les fils de fer, les cordes, etc. qui pourraient être projetés.
- Toujours retirer la batterie afin d'éviter tout démarrage accidentel de la machine. Toujours débrancher la batterie avant toute opération d'entretien sur la machine.
- Avant d'utiliser la machine ou après tout impact, vérifier s'il y a des signes éventuels d'usure ou de dommages et réparer le tout au besoin.
- Utiliser des pièces de rechange d'origine.
- L'utilisateur de la machine doit s'assurer qu'aucune personne ou aucun animal ne s'approche à moins de 15 mètres pendant le fonctionnement. Lorsque plusieurs utilisateurs travaillent dans la même zone, la distance de sécurité doit être d'au moins 15 mètres.
- Effectuer une inspection générale de la machine avant de l'utiliser, se reporter au calendrier d'entretien.
- L'utilisation de l'appareil peut être soumise à des réglementations nationales ou locales. Respecter les réglementations en vigueur.

## Introduction



## AVERTISSEMENT

Lire toutes les instructions et consignes de sécurité. Le non-respect de ces instructions et consignes peut provoquer une électrocution, un incendie et des blessures graves.

## LIRE TOUTES LES INSTRUCTIONS

Lire attentivement le manuel d'utilisation et veiller à bien comprendre les directives avant d'utiliser l'outil.



## AVERTISSEMENT

Afin de réduire le risque d'électrocution, ne pas exposer l'outil à la pluie – le ranger à l'intérieur.

- Ne pas charger l'outil à l'extérieur.
- Utiliser uniquement le chargeur fourni par le fabricant. Un chargeur convenant à un type de bloc de batteries particulier peut entraîner un risque d'incendie s'il est utilisé avec un autre bloc de batteries.
- Ne pas mettre l'outil au feu, même si celui-ci est gravement endommagé.
- Cet outil ne doit pas être considéré comme un jouet. Porter une attention particulière lors de travaux effectués à proximité d'enfants.
- Utiliser cet outil uniquement de la façon décrite dans le présent manuel.
- Utiliser uniquement les accessoires recommandés par le fabricant.
- Si l'outil ne fonctionne pas comme il le devrait, s'il est tombé, s'il a été endommagé, s'il a été laissé dehors ou s'il est tombé dans l'eau, le rapporter au centre d'entretien.

## Sécurité personnelle

- **Lors de l'utilisation d'un outil électrique, toujours demeurer attentif et faire preuve de bon sens. Ne pas utiliser l'outil électrique si vous êtes fatigué ou sous l'emprise de drogues, de l'alcool ou de médicaments.** Tout moment d'inattention pendant l'utilisation d'un outil électrique peut causer de graves blessures.
- Tenir toute personne à distance.
- Cet appareil n'est pas destiné à être utilisé par des personnes (notamment des enfants) aux capacités physiques, sensorielles ou mentales limitées, ou manquant d'expérience et de connaissances, sauf si elles ont bénéficié de la surveillance ou des

instructions concernant l'utilisation de l'appareil par une personne responsable de leur sécurité. Les enfants doivent être supervisés afin de s'assurer qu'ils ne jouent pas avec les appareils.

- Ne jamais laisser des enfants ni des personnes n'ayant pas été formées à l'utilisation de la machine et de la batterie l'utiliser ou l'entretenir. La réglementation locale peut fixer l'âge de l'utilisateur.
- Tenir à l'écart toute personne non autorisée. Les enfants, les animaux, les observateurs et les assistants doivent rester en dehors de la zone de sécurité, soit à une distance d'au moins 15 m (50 pi). Arrêter la machine immédiatement si une personne s'approche.
- Remiser l'équipement dans une zone fermable à clé, de façon à le mettre hors de portée des enfants et des personnes non autorisées.
- **S'habiller correctement. Ne jamais porter des vêtements amples ou des bijoux. Garder les cheveux, les vêtements et les gants loin des pièces mobiles.** Les vêtements amples, bijoux et cheveux longs peuvent se prendre dans les pièces en mouvement.
- N'utilisez jamais la machine en cas de fatigue, d'absorption d'alcool ou de prise de médicaments susceptibles de nuire à la vision, au bon jugement ou à la maîtrise du corps.
- Porter un équipement de protection personnelle. Consulter les instructions fournies dans la section « Équipement de protection personnelle ».
- Toujours retirer la batterie lors du passage de la machine à une autre personne.
- Garder en tête que c'est vous, l'opérateur, qui êtes responsable de protéger les personnes et leurs biens de tout accident ou danger.

## Utilisation et entretien des outils électriques

- Ne jamais utiliser une machine qui a été modifiée de quelque manière que ce soit par rapport aux spécifications d'origine. Ne jamais utiliser la machine près de matériaux explosifs ou inflammables.
- Ne jamais utiliser une machine défectueuse. Effectuer les vérifications de sécurité, de maintenance et d'entretien conformément aux instructions fournies dans ce manuel. Certaines mesures de maintenance et d'entretien doivent être effectuées par des spécialistes formés et qualifiés. Consulter les instructions sous la rubrique Entretien.
- Utiliser des pièces de rechange d'origine.
- Toujours s'assurer de l'absence de débris dans les orifices de ventilation.
- Tous les couvercles, toutes les protections et toutes les protections doivent être montés avant le démarrage.
- Utiliser la machine quand il fait jour ou sous un éclairage suffisant.

- Ne jamais utiliser la machine par mauvais temps, par exemple dans le brouillard, sous la pluie ou dans des endroits humides ou fortement venteux, en cas de froid intense ou en présence d'un risque de foudre, etc. La machine peut surchauffer par temps très chaud. L'utilisation du souffleur par mauvais temps est épuisant et peut mener à des conditions de travail dangereuses, comme des surfaces glissantes.
- Si la machine commence à vibrer de manière anormale, arrêtez-la et retirez la batterie.
- Toujours marcher, ne jamais courir.

## Utilisation de la batterie et consignes de sécurité

- **N'utiliser les appareils qu'avec les blocs de batteries spécifiquement indiqués.** L'utilisation d'autres groupes de batteries peut entraîner un risque de blessure et d'incendie.
- **Lorsqu'on n'utilise pas le bloc de batteries, le tenir à l'écart d'objets métalliques, tels que les trombones, pièces de monnaie, clés, clous, vis ou autres petits objets en métal, qui peuvent établir une connexion entre les bornes.** La mise en court-circuit des bornes de batteries peut provoquer des brûlures ou un incendie.
- **Une utilisation abusive peut laisser s'échapper du liquide de la batterie; éviter tout contact. En cas de contact accidentel, rincer abondamment à l'eau. Si du liquide entre en contact avec les yeux, consulter en outre un médecin immédiatement.** Le liquide échappé de la batterie peut provoquer des irritations ou des brûlures.
- **Ne pas utiliser un bloc de batteries ou un appareil défectueux ou modifié.** Les batteries endommagées ou modifier peuvent se comporter de manière inattendue et provoquer un incendie, une explosion ou des blessures potentielles.
- **Ne pas exposer un bloc de batteries ou l'appareil au feu ou à une température excessive.** Une exposition au feu ou à une température supérieure à 130°C (266°F) peut provoquer une explosion.
- **Suivre toutes les instructions de charge et ne pas charger la batterie ou l'appareil en dehors de la plage de températures spécifiée dans les instructions.** Une recharge mal effectuée ou effectuée à des températures en dehors de la plage spécifiée peut endommager la batterie et augmenter les risques d'incendie.

## Consignes générales de sécurité



# AVERTISSEMENT

Lire les messages d'avertissement qui suivent avant d'utiliser l'outil.

- Une utilisation inappropriée ou imprudente du produit risque d'en faire un outil dangereux

susceptible de provoquer des blessures graves, voire mortelles à l'utilisateur ou à d'autres personnes. Lire et bien comprendre le contenu de ce manuel d'utilisation.

- La conception du produit ne peut en aucun cas être modifiée sans l'autorisation du fabricant. Ne jamais utiliser un produit qui a été modifié de quelque manière que ce soit par rapport aux spécifications d'origine et toujours utiliser des accessoires d'origine. Les modifications et les accessoires non autorisés peuvent engendrer des blessures graves ou la mort de l'utilisateur ou d'autres personnes. Votre garantie ne couvre pas les dommages ou la responsabilité causés par l'utilisation d'accessoires ou de pièces de rechange non autorisés.
- Ce produit produit un champ électromagnétique pendant le fonctionnement. Ce champ magnétique peut, dans certains cas, nuire aux implants médicaux actifs ou passifs. Pour réduire le risque de blessures graves ou mortelles, nous recommandons aux personnes ayant des implants médicaux de consulter leur médecin et le fabricant de l'implant médical avant d'utiliser le produit.
- Retirer la batterie de l'appareil avant de la charger.

- Rester attentif aux appels ou cris d'avertissement lors de l'utilisation des protecteurs d'oreilles. Toujours enlever les protecteurs d'oreilles dès que le produit s'arrête.
- Respecter les personnes qui se trouvent dans l'entourage en évitant d'utiliser le produit à des heures indues, par exemple tard le soir ou tôt le matin. Respecter les règlements et les arrêtés locaux.
- Utiliser le produit au plus petit débit d'air possible. Il est rarement nécessaire d'utiliser l'outil à plein débit d'air, et plusieurs procédures de travail peuvent se faire à demi-débit d'air. Un plus petit débit d'air engendre moins de bruit et de poussière et facilite également le contrôle sur les détritres entassés ou déplacés.
- Utiliser un râteau ou un balai pour dégager les débris coincés dans le sol.
- Garder l'ouverture du souffleur aussi près du sol que possible.
- Observer la zone environnante. Diriger le produit à l'écart des personnes, des animaux, des aires de jeux, des voitures, etc.
- Réduire la durée de soufflage en humidifiant légèrement les zones poussiéreuses ou en utilisant un pulvérisateur.

## Consignes de sécurité pour l'utilisation



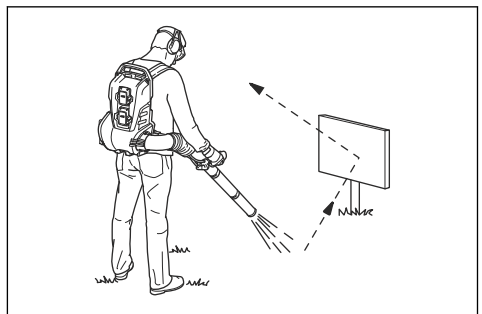
# AVERTISSEMENT

Lire les messages d'avertissement qui suivent avant d'utiliser l'appareil.

- Il est recommandé de consulter un expert en cas de doute. Communiquer avec votre concessionnaire ou votre atelier d'entretien. Éviter toutes les utilisations qui vous semblent difficiles.
- Ne pas laisser des enfants utiliser l'appareil ou se tenir à proximité de celui-ci. L'appareil étant facile à démarrer, les enfants peuvent le faire démarrer s'ils sont laissés sans surveillance. Cela peut entraîner un risque de blessure grave. Débrancher la batterie lorsque le produit n'est pas sous une surveillance stricte.
- S'assurer qu'aucune personne ni aucun animal ne s'approche à moins de 15 mètres (50 pi) pendant le travail. Lorsque plusieurs utilisateurs travaillent dans la même zone, la distance de sécurité doit être d'au moins quinze mètres. Le non-respect de cette directive peut entraîner de graves blessures. Arrêter l'appareil immédiatement si une personne s'approche. Ne jamais balancer le produit sans d'abord jeter un coup d'œil derrière pour s'assurer que personne ne se trouve dans la zone de sécurité.
- S'assurer qu'il est possible de se déplacer et de se tenir debout en toute sécurité. Repérer les obstacles éventuels (racines, roches, branches, fossés, etc.) en cas de déplacement imprévu. Faire très attention lors du travail sur une pente.
- Se tenir bien campé et en parfait équilibre. Ne pas trop se pencher vers l'avant.

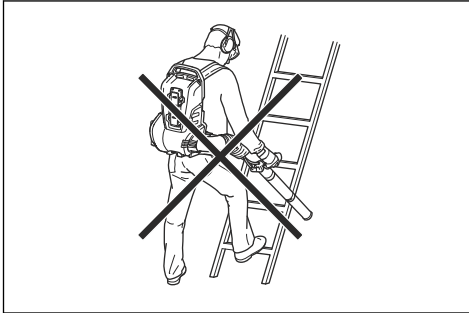
Tenir compte de la direction du vent. Le travail est plus facile s'il est effectué dans la direction du vent. Arrêter le produit et retirer la batterie si le produit commence à vibrer de façon anormale.

- L'utilisation du produit pour déplacer des monticules importants prend beaucoup de temps et génère un bruit inutile.
- Nettoyer une fois le travail terminé. S'assurer que des débris n'ont pas été accidentellement projetés dans le jardin d'un voisin.
- Ne pas courir avec le produit.
- Les puissants jets d'air peuvent déplacer des objets à une vitesse telle qu'ils peuvent ricocher et causer de graves blessures aux yeux.



- Ne jamais diriger le débit d'air vers des personnes ou des animaux.
- Arrêter le moteur avant de monter ou démonter des accessoires ou d'autres pièces.

- Tenir toute partie du corps à l'écart des surfaces chaudes.
- Ne jamais abandonner le produit en marche à moins de l'avoir sous les yeux.
- Ne pas utiliser le produit sur des échelles ou des échafaudages.



- Ne pas utiliser ce produit s'il est impossible d'appeler de l'aide en cas d'accident.
- Faire preuve de prudence à l'égard des projections d'objets. Des pierres, des débris, etc. peuvent être projetés dans vos yeux, causant la cécité ou des blessures graves.
- Utiliser un dispositif de protection contre les courants résiduels (RCD) pour une sécurité accrue pendant la recharge du produit. Un dispositif de protection contre les courants résiduels est prévu pour protéger les utilisateurs en cas de panne électrique.
- Ce produit est reconnu pour sa faible vibration sous charge. La surexposition aux vibrations peut engendrer des problèmes circulatoires ou des troubles nerveux, en particulier chez les personnes ayant des troubles circulatoires. En cas de symptômes liés à une surexposition aux vibrations, consulter un médecin. Voici certains de ces symptômes : engourdissement, perte de sensibilité, fourmillement, picotement, douleur, faiblesse musculaire, décoloration ou modification de l'épiderme. Ces symptômes apparaissent normalement aux doigts, aux mains et aux poignets.
- Utiliser ce produit seulement pour les travaux auxquels il est destiné.
- Il n'est pas possible de couvrir toutes les situations imaginables qui pourraient se produire. Toujours faire preuve d'attention et de bon sens. Éviter toutes les situations qui vous semblent difficiles. En cas d'incertitude au sujet des procédures d'utilisation après avoir lu ces instructions, consulter un expert avant de continuer.
- Le harnais doit toujours être porté lors de l'utilisation de l'appareil. Autrement, il sera impossible de manœuvrer en toute sécurité, ce qui peut engendrer un risque de blessures pour l'utilisateur et les personnes présentes.
- Prévenir les démarrages accidentels. S'assurer que le levier de puissance est à la position d'arrêt avant de brancher la batterie, de soulever l'appareil ou de

le transporter. Le transport de l'appareil en maintenant le doigt sur l'interrupteur à gâchette et le branchement de l'appareil alors que l'interrupteur à gâchette se trouve à la position de marche expose à des accidents.

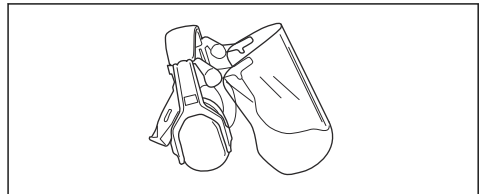
## Équipement de protection personnelle



# AVERTISSEMENT

Lire les messages d'avertissement qui suivent avant d'utiliser l'appareil.

- Toujours utiliser un équipement de protection personnelle homologué lors de l'utilisation de l'appareil. Cet équipement de protection personnelle n'élimine pas complètement les risques de blessures, mais il peut en réduire la gravité en cas d'accident. Laisser le concessionnaire vous aider à sélectionner l'équipement adéquat.
- L'exposition prolongée au bruit peut causer des lésions auditives. En règle générale, les outils alimentés par batterie sont relativement silencieux, mais peuvent tout de même causer des lésions auditives en raison d'une combinaison de niveau sonore et d'un usage prolongé. recommande aux utilisateurs d'utiliser des protecteurs d'oreille lors de l'utilisation des produits pendant des périodes prolongées dans une journée. Les utilisateurs permanents et réguliers doivent faire vérifier régulièrement leur ouïe.

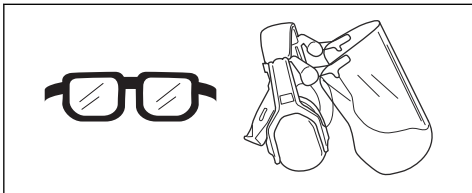


# AVERTISSEMENT

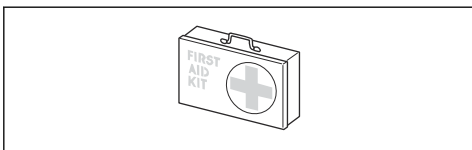
Les protecteurs d'oreille limitent la capacité d'entendre les sons et les signaux d'avertissement

- Utiliser un dispositif de protection homologué pour les yeux. Porter également des lunettes de protection homologuées en cas d'utilisation d'une visière. Les lunettes de protection homologuées doivent être conformes à la norme ANSI Z87.1 aux

États-Unis ou à la norme EN 166 dans les pays de l'Union européenne.



- Utiliser des vêtements faits de tissus résistants. Toujours utiliser des pantalons longs et lourds et des manches longues. Ne pas porter des vêtements amples qui peuvent se prendre dans les broussailles et les branches. Ne pas porter des bijoux, des pantalons courts, des sandales et ne pas marcher pieds nus. Garder les cheveux au-dessus des épaules.
- Garder une trousse de premiers soins à portée de main.



- Utiliser un masque respiratoire dans les environnements poussiéreux.

## Dispositifs de sécurité sur l'outil



# AVERTISSEMENT

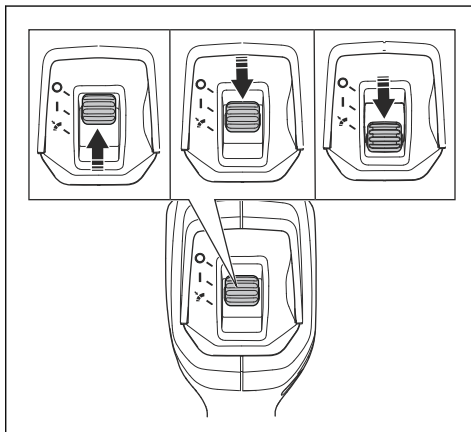
Lire les messages d'avertissement qui suivent avant d'utiliser l'outil.

- Cette section décrit l'équipement de sécurité du produit, son but et la façon d'en effectuer les inspections et l'entretien afin de s'assurer qu'il fonctionne correctement. Voir les instructions à la section *Introduction à la page 32* pour savoir où se trouvent ces pièces sur votre produit.
- La durée de vie du produit peut être réduite et le risque d'accident peut augmenter si l'entretien de la machine n'est pas effectué correctement et si l'entretien ou les réparations ne sont pas effectués de façon professionnelle. Pour obtenir de plus amples informations, communiquer avec le concessionnaire le plus proche.
- Ne jamais utiliser un produit dont les composants de sécurité sont défectueux. L'équipement de sécurité du produit doit être inspecté et entretenu selon les directives de la présente section. Si une inspection de la machine détecte une panne, communiquer avec un atelier spécialisé pour réparation.
- Tous les travaux de réparation nécessitent une formation spéciale. Ceci concerne particulièrement l'équipement de sécurité du produit. Si les contrôles

suivants ne donnent pas un résultat positif, on doit communiquer avec un atelier spécialisé. L'achat de l'un de nos produits offre à l'acheteur la garantie d'un service et de réparations qualifiés. Si le détaillant qui vous a vendu le produit n'est pas un centre de service agréé, demandez-lui l'adresse de l'atelier spécialisé le plus proche.

## Pour vérifier le levier de puissance

1. Relâcher la gâchette de puissance et s'assurer que le produit s'arrête.
2. Pousser le levier de puissance jusqu'à la position d'arrêt.

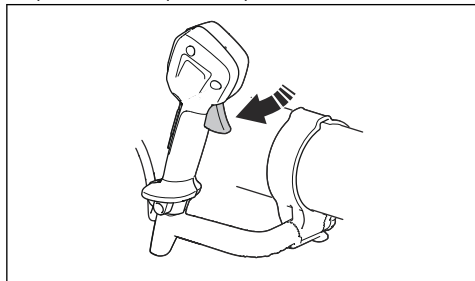


3. S'assurer que la gâchette de puissance est verrouillée.
4. Pousser le levier de puissance jusqu'à la position de démarrage.
5. S'assurer que la gâchette de puissance se déplace librement.
6. Pousser le levier de puissance jusqu'à la position de régulateur de vitesse automatique.
7. S'assurer que la gâchette de puissance se déplace librement.

## Pour vérifier le commutateur d'activation

1. S'assurer que le levier de puissance n'est pas à la position d'arrêt.

- Appuyer brièvement sur le commutateur d'activation pour s'assurer qu'il se déplace librement.



- Retirer le harnais.

## Consignes de sécurité pour l'entretien



# AVERTISSEMENT

Lire les messages d'avertissement qui suivent avant de procéder à l'entretien du produit.

- Retirer la batterie avant d'effectuer l'entretien, de procéder à d'autres contrôles ou d'assembler le produit.
  - L'utilisateur ne doit effectuer que les travaux de réparation et d'entretien décrits dans ce manuel d'utilisation. Se rendre dans le centre de service agréé pour les travaux de réparation ou d'entretien plus importants.
- Garder les boulons, écrous et vis serrés afin de s'assurer que l'outil est en état de fonctionnement sécuritaire.

- Remplacer les pièces usées ou abîmées.
- En absence d'entretien, cela réduit la durée de vie du produit et augmente le risque d'accident.
- Une formation spécifique est nécessaire pour tous les travaux d'entretien et de réparation, en particulier pour les dispositifs de sécurité sur le produit. Si toutes les vérifications indiquées dans ce manuel d'utilisation ne sont pas homologuées une fois l'entretien effectué, se rendre dans le centre de service La disponibilité des réparations et des entretiens effectués de façon professionnelle est garantie pour votre produit.
- Utiliser des pièces de rechange d'origine.

## Sécurité du harnais



# AVERTISSEMENT

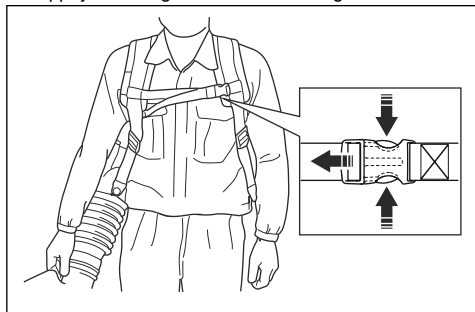
Lire les avertissements qui suivent avant d'utiliser le produit.

Le harnais doit toujours être porté lors de l'utilisation de l'appareil. Autrement, il sera impossible d'utiliser le produit en toute sécurité, ce qui peut engendrer un risque de blessures pour l'utilisateur et les personnes présentes. S'assurer que la sangle de poitrine est boutonnée et ajustée correctement. Sinon, il y a un risque qu'une sangle non fermée se prenne ou soit aspirée dans la turbine du produit.

## Utilisation de la fonction de desserrage rapide

En cas d'urgence, retirer rapidement le souffleur dorsal.

- Appuyer sur l'agrafe et retirer la sangle.



# CONSERVER CES INSTRUCTIONS

## Montage

### Introduction

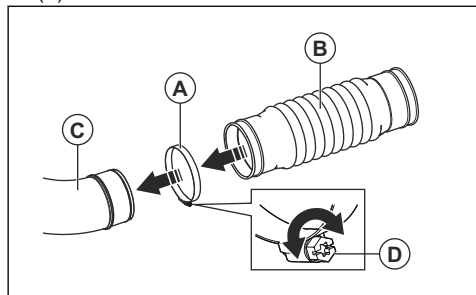


# AVERTISSEMENT :

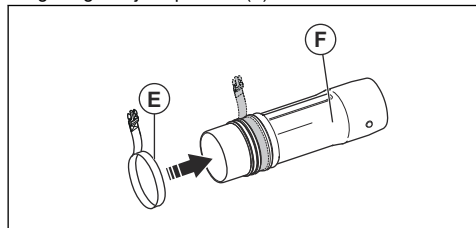
Lire et comprendre le chapitre sur la sécurité avant d'assembler le produit.

## Assemblage du tube et de la poignée sur le produit

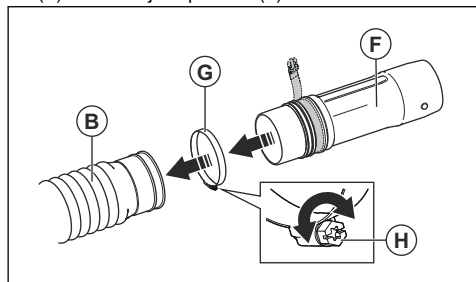
1. Placer le collier de serrage (A) sur le tube flexible (B) et fixer le tube flexible à la sortie d'air du souffleur (C).



2. Placer la vis (D) sur le collier de serrage sous le tube et serrer.
3. Fixer l'attache de transport (E) à la glissière de guidage du joint pivotant (F).

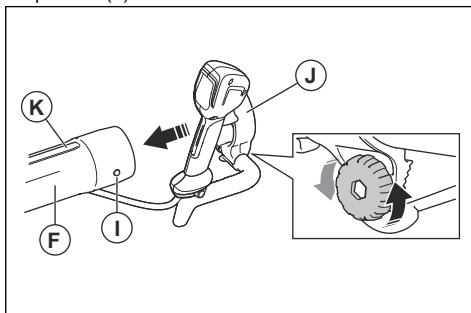


4. Placer le collier de serrage (G) sur le tube flexible (B) et fixer le joint pivotant (F).

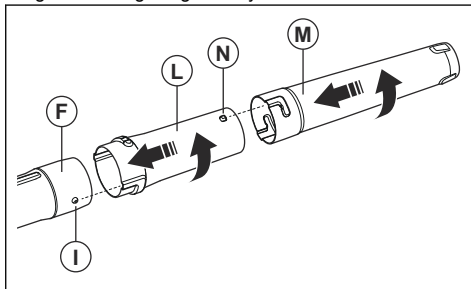


5. Placer la vis (H) sur le collier de serrage sous le tube et serrer.

6. Aligner les boutons (I) de chaque côté du joint pivotant (F).



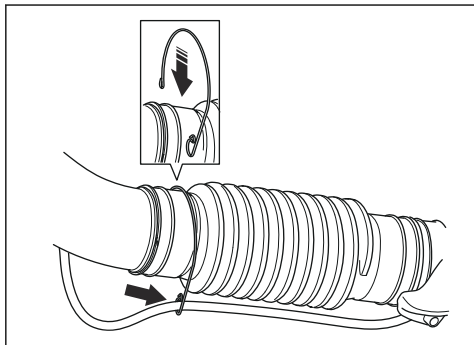
7. Fixer la poignée de commande (J) à la glissière de guidage (K) du joint pivotant (F). S'assurer que la vis située sur la poignée de commande se trouve sur le côté inférieur du tuyau de commande.
8. Serrer complètement la vis sur la poignée de commande.
9. Raccorder le tube intermédiaire (L) au joint pivotant (F). S'assurer que le bouton (I) est aligné sur la glissière de guidage du tuyau intermédiaire.



10. Tourner complètement le tube intermédiaire (L) pour verrouiller le joint pivotant et le tuyau intermédiaire.
11. Brancher le tube de soufflage (M) sur le tuyau intermédiaire (L). S'assurer que le bouton (N) du tuyau intermédiaire pointe vers le haut et rentre dans la glissière de guidage du tuyau de soufflage.
12. Tourner complètement le tuyau de soufflage pour bloquer le tuyau intermédiaire et le tuyau de soufflage.



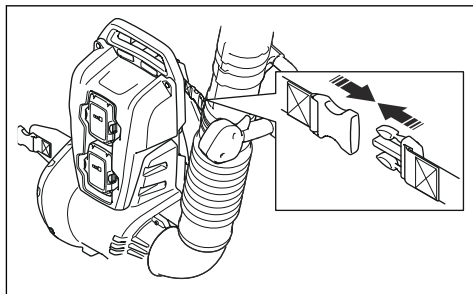
- Fixer le collier du câble au tube flexible. Placer le câble de la poignée de commande dans la boucle du collier du câble.



- Serrer les bretelles (B) jusqu'à ce que le harnais soit bien ajusté au corps.
- Raccorder la sangle de poitrine à l'agrafe (A).
- Serrer la sangle de poitrine.

## Placer le produit en mode transport

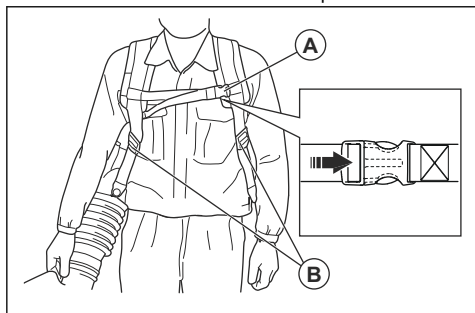
- Tourner le tube du souffleur jusqu'à ce qu'il soit orienté vers le haut.



## Pour régler le harnais

Ajuster le harnais pour obtenir une position d'utilisation optimale.

- Enfiler correctement le harnais du produit.



- Raccorder l'agrafe de transport.

## Fonctionnement

### Introduction



## AVERTISSEMENT :

Lire et comprendre le chapitre sur la sécurité avant d'utiliser le produit.

- Pousser la batterie dans le porte-batterie du sac à dos. Quand la batterie se bloque en position, un déclic se fait entendre.

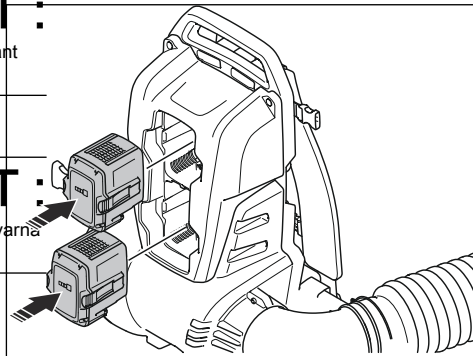
### Branchement de la batterie.



## AVERTISSEMENT :

Utiliser uniquement des batteries d'origine Husqvarna avec ce produit.

- Vérifier que la batterie est chargée à bloc.



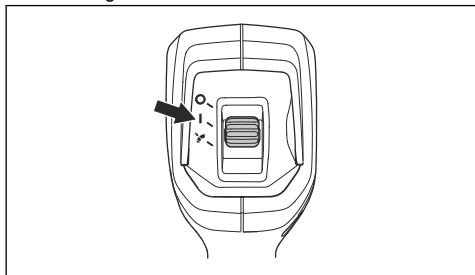


**MISE EN GARDE :** Si la batterie ne s'insère pas facilement dans le porte-batterie, elle n'est pas bien installée. Cela pourrait endommager le produit.

3. Vérifier que le protège-main est bien installé.

## Mise sous tension de l'appareil

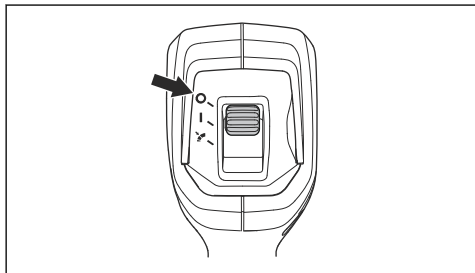
1. Pousser le levier de puissance jusqu'à la position de démarrage.



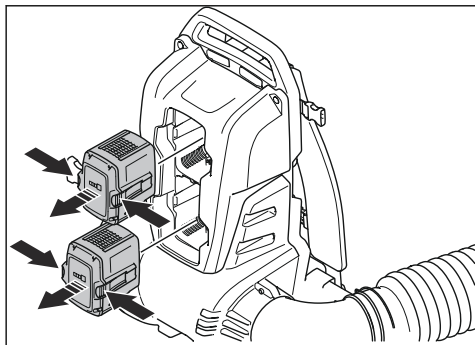
2. Utiliser le commutateur d'activation pour commander la vitesse.

## Pour mettre l'outil hors fonction

1. Relâcher la gâchette.
2. Pousser le levier de puissance jusqu'à la position d'arrêt.



3. Appuyer sur les boutons de déverrouillage de la batterie et retirer la batterie.



## Fonction d'arrêt automatique

L'outil est équipé d'une fonction d'arrêt automatique qui l'éteint quand il n'est pas utilisé. Le produit s'éteint au bout de 30 minutes.

## Comportement fonctionnel

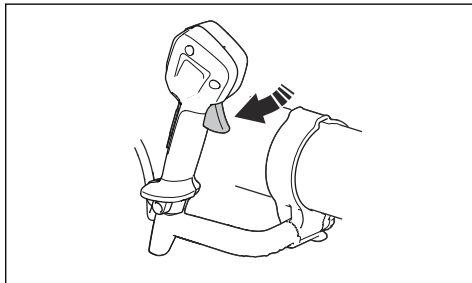
Le produit peut être utilisé avec une batterie dans n'importe quelle poche ou avec deux batteries. Si deux batteries sont installées, le produit commence à utiliser la batterie dans la poche inférieure avant de passer à la batterie de la poche supérieure. Dans des conditions normales, le produit passe à la seconde batterie lorsque la première est déchargée. Dans des circonstances particulières, le produit alternera plusieurs fois entre les deux batteries pour les refroidir.

Si BLi10 ou BLi100 est utilisé dans le produit, le régime moteur est alors limité pour protéger les batteries.

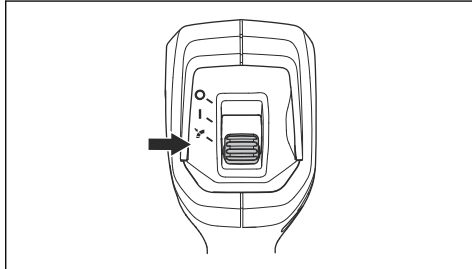
Afin d'éviter toute surchauffe des batteries lorsque le changement de batterie n'est pas possible, le produit réduit le régime moteur pour garantir une autonomie complète.

## Pour actionner la fonction de régulateur de vitesse automatique

1. Appuyer sur le mécanisme de verrouillage de la gâchette pour choisir le débit d'air optimal pour le travail à effectuer.



2. Pousser le levier de puissance jusqu'à la position Cruise control pour régler le débit d'air sélectionné.



3. Continuer l'utilisation avec le débit d'air sélectionné sans appuyer sur la gâchette de puissance.

4. Pour augmenter le débit d'air, appuyer sur la gâchette de puissance. Lorsque la gâchette de puissance est relâchée, le débit d'air repasse à celui défini à l'étape 2.

5. Relâcher la gâchette de puissance et pousser le levier de puissance jusqu'à la position de démarrage pour désactiver la fonction Cruise control.

## Entretien

### Introduction



## AVERTISSEMENT :

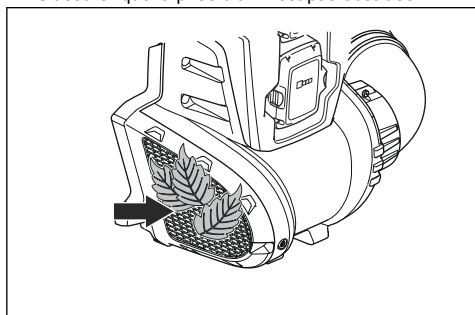
Avant de procéder à l'entretien, lire et bien comprendre le chapitre sur la sécurité.

### Calendrier d'entretien

Entretien	Quotidien	Hebdomadaire	Mensuel
Nettoyer les surfaces extérieures du produit à l'aide d'un chiffon propre et sec. Ne pas utiliser d'eau.	X		
Maintenir les poignées sèches et propres. Retirer l'huile ou la graisse.	X		
S'assurer que le levier de puissance fonctionne correctement et n'est pas endommagé.	X		
S'assurer que l'interrupteur d'alimentation fonctionne correctement.	X		
S'assurer que les vis et les écrous sont bien serrés.	X		
S'assurer que les boutons de déverrouillage de batterie fonctionnent de façon adéquate, et que la batterie est bien verrouillée en place.	X		
S'assurer qu'aucun couplage, raccordement ou câble n'est endommagé. Enlever toute saleté.		X	
S'assurer que les connecteurs de batterie ne sont pas endommagés.			X

### Vérification de la prise d'air

1. S'assurer que la prise d'air n'est pas obstruée



2. Au besoin, arrêter le produit et retirer les matériaux indésirables.



## MISE EN GARDE :

L'obstruction de l'admission d'air réduit les performances du produit et peut entraîner la surchauffe du moteur.

### Pour nettoyer le produit, la batterie et le chargeur de batterie.

1. Nettoyer le produit à l'aide d'un chiffon sec après utilisation.
2. Nettoyer la batterie et chargeur de batterie à l'aide d'un chiffon sec. Garder les chemins de guidage de la batterie propres.
3. S'assurer que les pièces suivantes sont propres avant que la batterie soit connectée au chargeur de batterie ou au produit :

- a) Les bornes des batteries.
- b) Les bornes du chargeur de batterie.

- c) Les bornes du souffleur dorsal.

---

## Dépannage

---

### Dépannage

Problème	Anomalies potentielles	Action possible
Le produit ne démarre pas	Tension de batterie faible.	Charger la batterie.
	Écart de température.	Laisser l'outil refroidir!
	Les connecteurs de batterie sont encrassés.	Nettoyer à l'aide d'air comprimé ou d'une brosse douce.
	L'entretien est nécessaire.	Communiquer avec un atelier spécialisé.

---

## Transport, entreposage et mise au rebut

---

### Transport et entreposage

- Les batteries au lithium-ion fournies respectent les exigences de la loi sur les produits dangereux.
- Respecter l'exigence spéciale relative à l'emballage et aux étiquettes pour le transport commercial, y compris par des tiers et des transitaires.
- Communiquer avec une personne ayant une formation spéciale en matière de composés dangereux avant d'envoyer le produit. Respecter tous les règlements nationaux applicables.
- Utiliser du ruban adhésif sur des contacts ouverts lorsque vous emballez la batterie. Placer la batterie dans un emballage hermétique pour éviter tout mouvement.
- Déposer la batterie à des fins de remisage ou de transport.
- Placer la batterie et le chargeur de batterie dans un espace sec et exempt d'humidité et de gel.
- Ne pas maintenir la batterie dans une zone où l'électricité statique peut se développer. Ne pas entreposer la batterie dans une boîte métallique.
- Entreposer la batterie dans un endroit où la température est comprise entre 5 °C (41 °F) et 25 °C (77 °F) et à l'écart des rayons directs du soleil.
- Entreposer le chargeur de batterie dans un endroit où la température est comprise entre 5 °C (41 °F) et 45°C (113 °F) et à l'écart des rayons directs du soleil.
- Utiliser le chargeur de batterie seulement lorsque la température ambiante est comprise entre 5 °C (41 °F) et 40 °C (104 °F).

- Charger la batterie entre 30 % et 50 % avant de la remettre pour une longue période.
- Entreposer le chargeur de batterie dans un endroit clos et sec.
- Tenir la batterie à l'écart du chargeur de batterie pendant la période d'entreposage. Ne pas laisser des enfants et d'autres personnes non autorisées toucher l'équipement. Maintenir l'équipement dans un endroit qui peut être verrouillé.
- Nettoyer le produit et effectuer un entretien complet avant de l'entreposer dans le local de rangement pendant une longue période.
- Utiliser le fourreau de transport sur le produit afin d'éviter des blessures ou des dommages au produit pendant le transport et le remisage.
- Fixer le produit de façon sécuritaire pendant le transport.

### Mise au rebut de la batterie, du chargeur de batterie et de l'outil

Les symboles figurant sur l'outil ou son emballage indiquent qu'il ne s'agit pas d'une ordures ménagère. Recycler dans un centre de recyclage pour équipements électriques et électroniques. De cette façon, vous ne nuirez pas à l'environnement.

Pour savoir comment recycler ce produit, communiquer avec les autorités locales, le service de ramassage des ordures ménagères ou votre concessionnaire.

# Caractéristiques techniques

## Caractéristiques techniques

	<b>340iBT</b>
<b>Moteur</b>	
Type de moteur	BLDC (sans balais) 36 V
<b>Poids</b>	
Poids sans batterie, kg / lb	6,3 / 13,9
<b>Émissions sonores<sup>7</sup></b>	
Niveau de puissance sonore, mesuré en dB (A)	95
Niveau de puissance acoustique garanti $L_{WA}$ dB(A)	97
Niveau de puissance acoustique mesuré à 15 m (50 pi) selon la norme ANSI-B175.2	61
<b>Niveau de protection contre l'eau</b>	
Fonctionne en toutes saisons	Oui
<b>Niveaux sonores<sup>8</sup></b>	
Niveau de pression sonore équivalent à l'oreille de l'utilisateur mesuré selon la norme EN ISO 11203 et ISO 22868, dB(A) :	79
<b>Niveaux de vibrations<sup>9</sup></b>	
Niveau de vibration à la poignée mesuré selon la norme ISO 22867, $m/s^2$	0,1
<b>Rendement du ventilateur</b>	
Débit d'air en mode normal avec buse ronde standard, $m^3/min$ / $pi^3/min$	13,7 / 483,81
Vitesse maximale de l'air en mode normal pour la buse ronde standard, $m/s/m/h$	61 / 136,45
Force maximale de soufflage de l'air en mode normal pour la buse ronde standard, N	17

## Batteries approuvées

Utiliser seulement des batteries Husqvarna BLi d'origine pour ce produit.

<sup>7</sup> Émission du bruit dans l'environnement mesurée en tant que puissance acoustique ( $L_{WA}$ ) conforme à la directive européenne 2000/14/EC. La puissance sonore reportée pour la machine a été mesurée avec l'outil d'origine qui fournit le niveau le plus élevé. La puissance sonore garantie diffère du niveau mesuré en cela qu'elle prend également en compte la dispersion et les variations entre plusieurs machines du même modèle, conformément à la directive 2000/14/CE.

<sup>8</sup> Les données se rapportant à la pression sonore équivalente de l'appareil présentent une dispersion statistique type (écart standard) de 3 dB (A).

<sup>9</sup> Les données signalées pour le niveau de vibration présentent une dispersion statistique type (écart standard) de 2  $m/s^2$ .

<b>Batterie</b>	<b>BLI200</b>
Type	Lithium-ion
Capacité de la batterie, Ah	5,2
Tension nominale, V	36
Poids, kg/lb	1,3/2,8

## Chargeurs de batteries approuvés

<b>Chargeur de batterie</b>	<b>QC330</b>	<b>QC500</b>
Tension d'entrée, V	100-240	100-240
Fréquence, Hz	50-60	50-60
Puissance, W	330	500

---

## Accessoires

---

### Accessoires homologués

Accessoires homologués	Type, longueur	Numéro d'article
Buse	Buse plate, droite, 600 mm / 23,6 po	579 79 75-01
	Buse plate, courbe de 20 degrés, 360 mm / 14,2 po	576 58 27-01
	Buse ronde, droite, 350 mm / 13,8 po	576 58 18-01
	Buse ronde avec anneau en métal, 326 mm / 12,8 po	586 10 63-01
	Buse ronde avec anneau en métal, 416 mm / 16,4 po	586 10 63-02
	Tuyau intermédiaire, 380 mm / 15,0 po	576 58 17-01
	Silencieux à buse ronde, 416 mm / 16,4 po	589 81 17-01
Manchon	Manchon	594 03 50-01
Clé	Torx T27/T20	575 88 07-01
Guidon	Guidon	544 40 00-04
Harnais	Harnais avec ceinture de hanches	576 62 53-01





[www.husqvarna.com](http://www.husqvarna.com)

Original instructions  
Instrucciones originales  
Instructions d'origine

1159857-49



2021-06-07