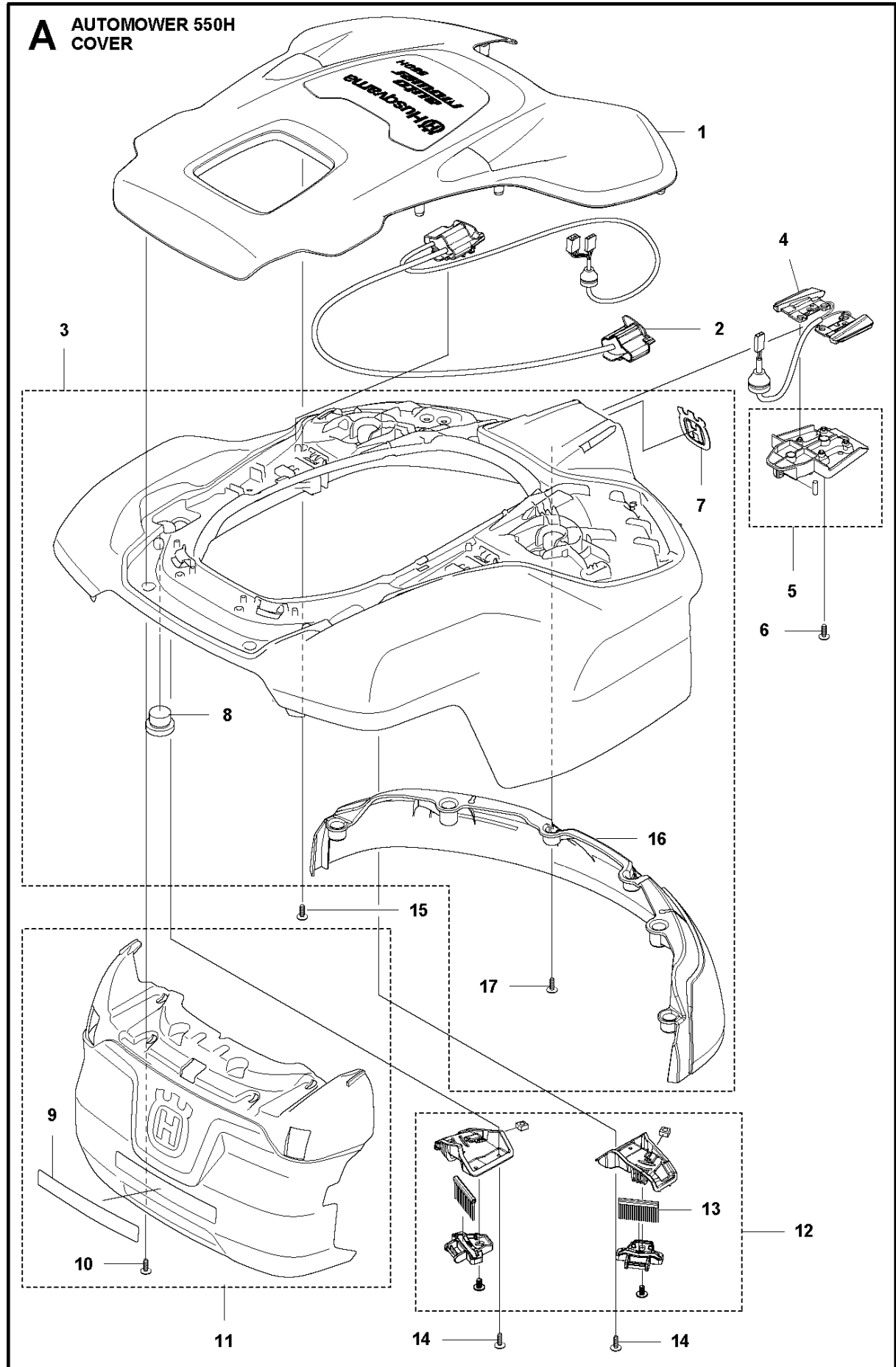




# SPARE PARTS LIST

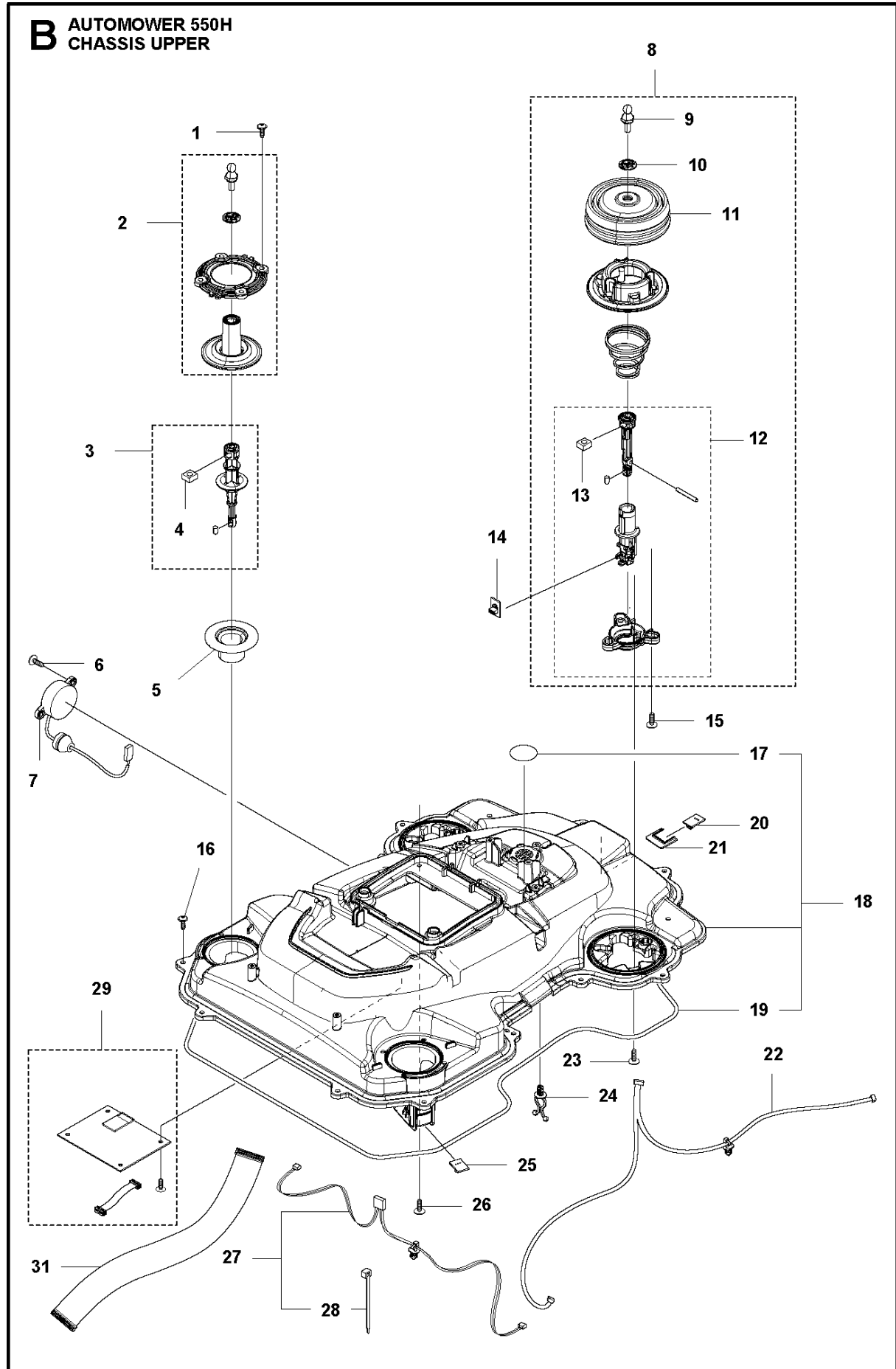
ROBOTIC LAWN MOWERS  
AUTOMOWER 550H, 2020-



## COVER

AUTOMOWER 550H, 2020-

| Ref | Part No      | Description  | Remark                     | QTY KIT |
|-----|--------------|--------------|----------------------------|---------|
| 1   | 596 50 21-01 | BODY KIT     | Cover Kit Grey             | 1       |
| 2   | 501 06 52-01 | WIRING ASSY  | Wiring Assy Ultra Sonic    | 1       |
| 1   | 596 50 21-02 | BODY KIT     | Cover Kit Orange           | 1       |
| 3   | 596 48 54-01 | BODY ASSY    | High-Cut                   | 1       |
| 4   | 585 53 92-04 | CABLE ASSY   | Charging Plate Wiring      | 1       |
| 5   | 596 48 99-01 | HOLDER ASSY  |                            | 1       |
| 6   | 575 54 33-14 | SCREW        |                            | 2       |
| 7   | 587 42 35-01 | DECAL        | Decal Crown                | 1       |
| 8   | 580 52 68-01 | CAP          | Cap Snaploc                | 4       |
| 9   | 586 35 97-01 | LABEL        | Label Warning              | 1       |
| 10  | 574 45 01-01 | SCREW ITPANT |                            | 10      |
| 11  | 596 48 97-01 | BUMPER ASSY  |                            | 1       |
| 12  | 581 90 31-02 | BRUSH KIT    | Brackets and Brushes 6 pcs | 1       |
| 13  | 581 98 20-02 | BRUSH KIT    | Brush 6 pcs                | 1       |
| 14  | 574 45 01-01 | SCREW ITPANT |                            | 4       |
| 15  | 574 45 01-01 | SCREW ITPANT | Top Cover                  | 8       |
| 16  | 593 11 74-01 | BUMPER       |                            | 1       |
| 17  | 574 45 01-01 | SCREW ITPANT | Front Bumper               | 6       |

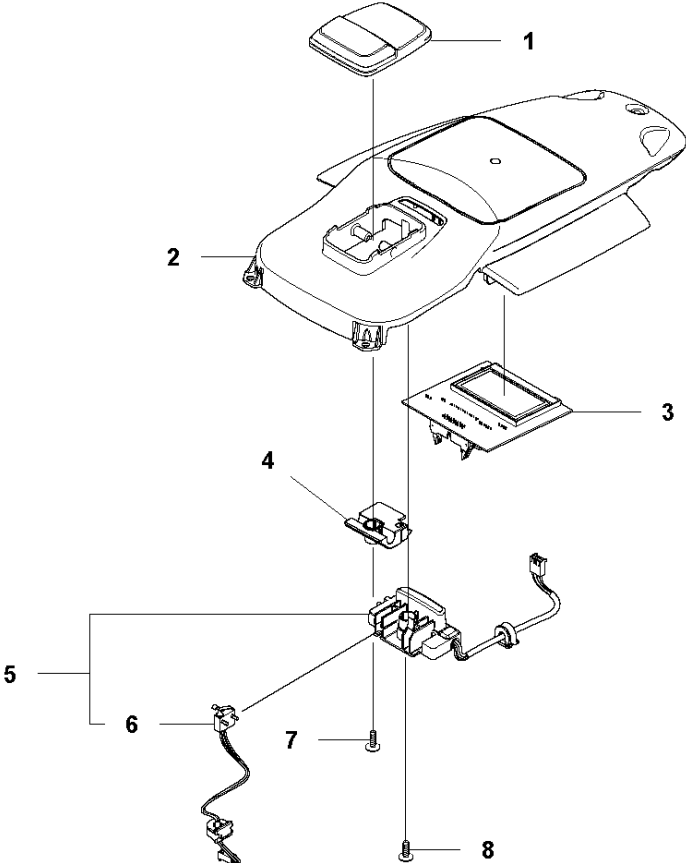


## CHASSIS UPPER

AUTOMOWER 550H, 2020-

| Ref | Part No      | Description          | Remark                | QTY KIT |
|-----|--------------|----------------------|-----------------------|---------|
| 1   | 574 45 01-01 | SCREW ITXPANT        |                       | 8       |
| 2   | 501 06 13-01 | JOYSTICK KIT         | Rear                  | 2       |
| 3   | 501 12 26-02 | JOYSTICK KIT         | Column Kit            | 2       |
| 4   | 503 22 66-01 | SQUARE NUT           |                       | 2       |
| 5   | 535 14 32-01 | DEFLECTION LIMITER   |                       | 2       |
| 6   | 575 54 33-14 | SCREW                |                       | 2       |
| 7   | 579 70 63-02 | BUZZER               |                       | 1       |
| 8   | 581 62 09-03 | JOYSTICK KIT         | Front                 | 2       |
| 9   | 580 52 67-01 | STUD                 |                       | 2       |
| 10  | 579 52 57-01 | WASHER               |                       | 2       |
| 11  | 579 47 46-01 | BELLOWS              |                       | 2       |
| 12  | 587 44 88-02 | JOYSTICK KIT         |                       | 2       |
| 13  | 503 22 66-01 | SQUARE NUT           |                       | 2       |
| 14  | 592 85 23-01 | PRINTED CIRCUIT ASSY | PCBA Lift Sensor      | 2       |
| 15  | 575 54 33-14 | SCREW                |                       | 6       |
| 16  | 574 45 01-01 | SCREW ITXPANT        |                       | 14      |
| 17  | 577 75 37-01 | AIR FILTER           | Air Filter 10 pcs     | 1       |
| 18  | 581 62 08-02 | CHASSIS KIT          |                       | 1       |
| 19  | 574 87 47-05 | SEALING STRIP        | 1 pcs, diam 5 mm      | 1       |
| 20  | 592 85 24-01 | PRINTED CIRCUIT ASSY | PCBA Collision Sensor | 1       |
| 21  | 587 83 49-01 | CLIP                 |                       | 1       |
| 22  | 581 66 09-01 | WIRING ASSY          | Wiring                | 1       |
| 23  | 574 45 01-01 | SCREW ITXPANT        |                       | 6       |
| 24  | 580 68 29-01 | HOLDER               | Holder Twist Lock     | 2       |
| 25  | 592 85 24-01 | PRINTED CIRCUIT ASSY | PCBA Collision Sensor | 1       |
| 26  | 574 45 01-01 | SCREW ITXPANT        |                       | 4       |
| 27  | 581 62 11-01 | LOOM KIT             | Wiring                | 1       |
| 28  | 900 23 87-08 | TIE WRAP             |                       | 2       |
| 29  | 586 66 23-11 | GPS MODULE           | Automower Connect Kit | 1       |
| 31  | 579 70 62-01 | CABLE ASSY           | Wiring                | 1       |

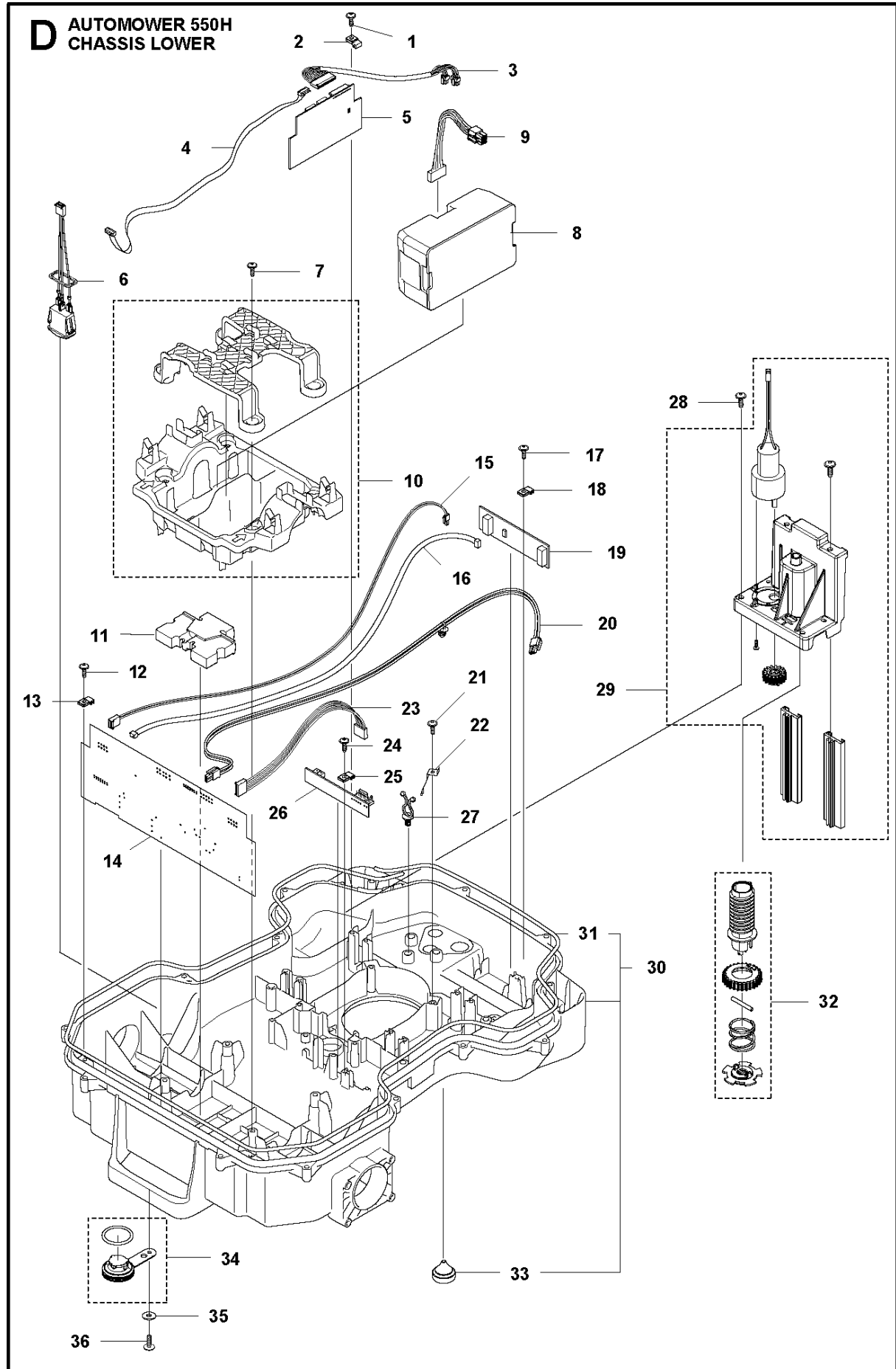
**C** AUTOMOWER 550H  
CENTER CONSOL



## CENTER CONSOL

AUTOMOWER 550H, 2020-

| Ref | Part No      | Description          | Remark            | QTY KIT |
|-----|--------------|----------------------|-------------------|---------|
| 1   | 589 33 61-01 | BUTTON               | Button Start/Stop | 1       |
| 2   | 589 33 60-01 | CONSOLE              | Console Center    | 1       |
| 3   | 592 91 04-01 | PRINTED CIRCUIT ASSY | PCBA HMI          | 1       |
| 4   | 589 33 62-01 | SUPPORT              |                   | 1       |
| 5   | 589 33 66-01 | HOUSING ASSY         |                   | 1       |
| 6   | 574 48 03-02 | SWITCH               |                   | 1       |
| 7   | 575 54 33-14 | SCREW                |                   | 1       |
| 8   | 575 54 33-14 | SCREW                |                   | 1       |



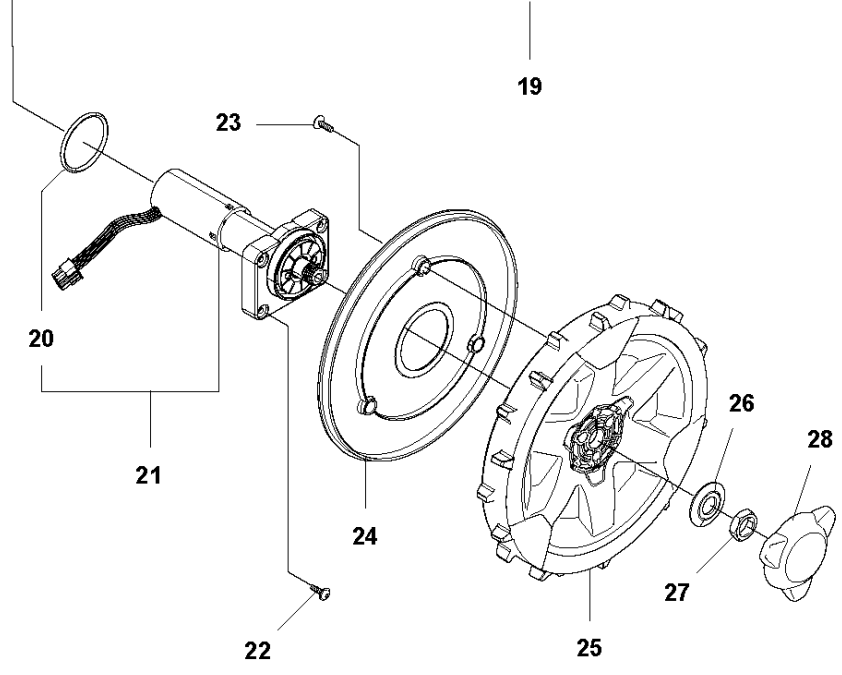
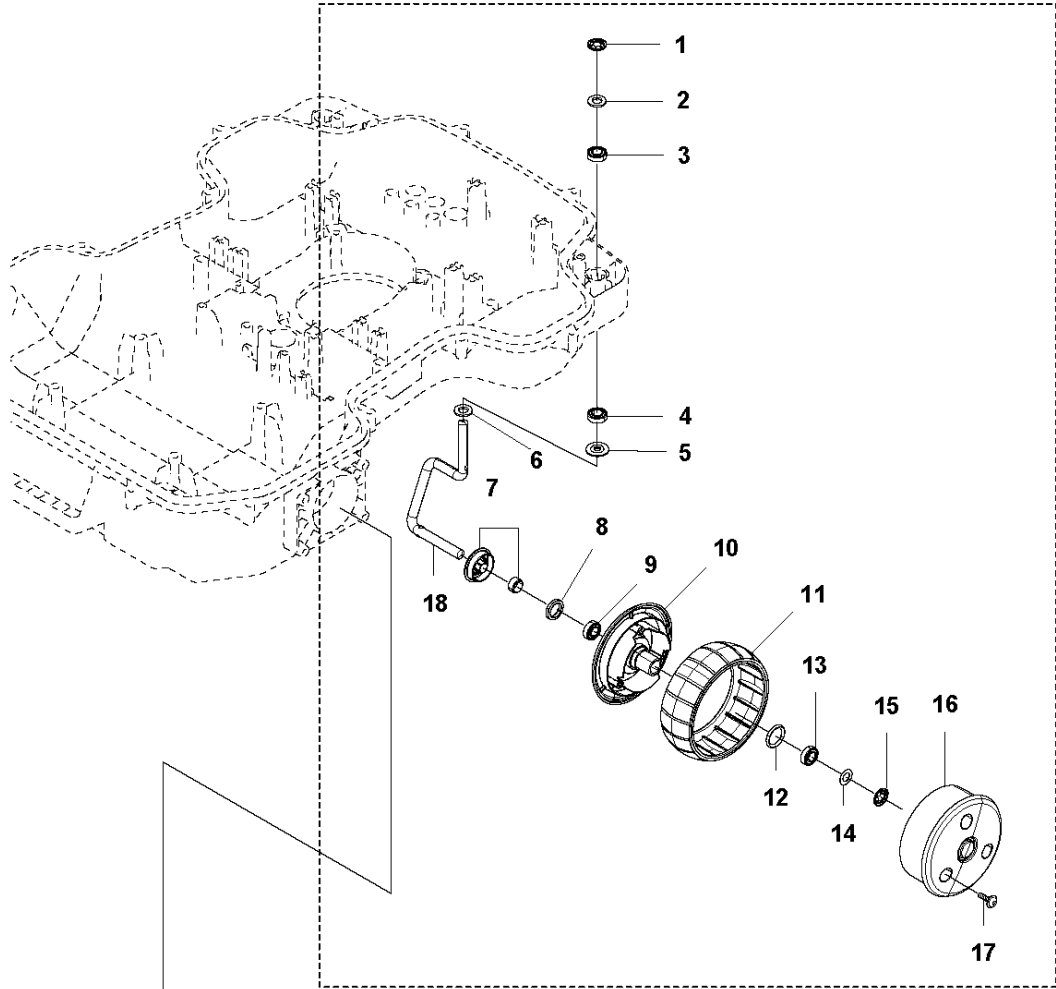


## CHASSIS LOWER

AUTOMOWER 550H, 2020-

| Ref | Part No      | Description          | Remark                   | QTY KIT |
|-----|--------------|----------------------|--------------------------|---------|
| 1   | 575 54 33-14 | SCREW                |                          | 2       |
| 2   | 579 52 94-01 | CLAMP                |                          | 2       |
| 3   | 580 61 44-01 | WIRING ASSY          | US-Extension Wiring      | 1       |
| 4   | 579 70 86-01 | WIRING ASSY          | AUX Cable                | 1       |
| 5   | 578 28 57-01 | PRINTED CIRCUIT ASSY | PCBA US                  | 1       |
| 6   | 579 70 87-01 | WIRING ASSY          | Switch On-Off            | 1       |
| 7   | 574 45 01-01 | SCREW ITXPANT        |                          | 4       |
| 8   | 593 24 74-01 | BATTERY              |                          | 2       |
| 9   | 591 20 36-01 | WIRING ASSY          |                          | 1       |
| 10  | 596 49 47-01 | HOLDER KIT           | Holder Kit               | 1       |
| 11  | 589 36 62-01 | WEIGHT               | Weight 470g              | 2       |
| 12  | 575 54 33-14 | SCREW                |                          | 2       |
| 13  | 579 52 94-01 | CLAMP                |                          | 2       |
| 14  | 592 85 26-01 | PRINTED CIRCUIT ASSY | Main Board               | 1       |
| 15  | 588 81 84-02 | WIRING ASSY          | LED-Extension Wiring     | 1       |
| 16  | 579 70 82-01 | WIRING ASSY          | Sensor Cable             | 1       |
| 17  | 575 54 33-14 | SCREW                |                          | 2       |
| 18  | 579 52 94-01 | CLAMP                |                          | 2       |
| 19  | 592 85 27-01 | PRINTED CIRCUIT ASSY | PCBA Loop Sensor         | 1       |
| 20  | 580 37 07-02 | LOOM                 | Charging Cable           | 1       |
| 21  | 575 54 33-14 | SCREW                |                          | 2       |
| 22  | 581 55 61-01 | SPRING               |                          | 2       |
| 23  | 579 70 80-01 | WIRING ASSY          | Height Adjustment Wiring | 1       |
| 24  | 575 54 33-14 | SCREW                |                          | 1       |
| 25  | 579 52 94-01 | CLAMP                |                          | 1       |
| 26  | 579 72 85-02 | PRINTED CIRCUIT ASSY | PCBA Height Adjustment   | 1       |
| 27  | 580 68 29-01 | HOLDER               | Holder Twist Lock        | 3       |
| 28  | 575 54 33-14 | SCREW                |                          | 4       |
| 29  | 501 06 83-01 | MOTOR ASSY           |                          | 1       |
| 30  | 596 50 31-01 | CHASSIS KIT          |                          | 1       |
| 31  | 574 87 47-05 | SEALING STRIP        | 1 pcs, diam 5 mm         | 1       |
| 32  | 581 62 16-01 | SCREW KIT            |                          | 1       |
| 33  | 584 89 75-01 | GROMMET              |                          | 1       |
| 34  | 581 62 12-02 | PLUG KIT             |                          | 1       |
| 35  | 734 11 37-41 | WASHER               |                          | 1       |
| 36  | 574 45 01-01 | SCREW ITXPANT        |                          | 1       |

**E** AUTOMOWER 550H  
WHEELS & TIRES

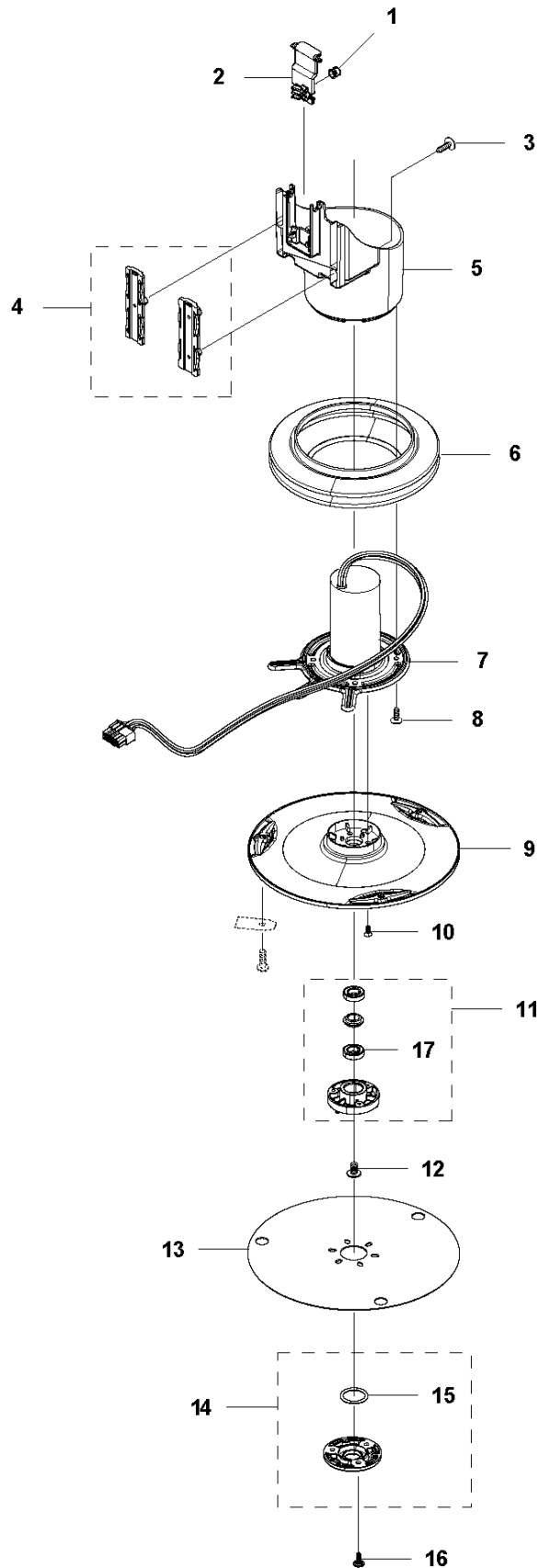


## WHEELS &amp; TIRES

AUTOMOWER 550H, 2020-

| Ref | Part No      | Description      | Remark           | QTY KIT |
|-----|--------------|------------------|------------------|---------|
| 1   | 576 01 93-02 | LOCKWASHER       |                  | 2       |
| 2   | 580 76 46-01 | WASHER           |                  | 2       |
| 3   | 580 60 51-01 | BALL BEARING     |                  | 2       |
| 3   | 597 79 56-01 | BALL BEARING     | Tube 50 pcs      | 1       |
| 4   | 580 60 51-01 | BALL BEARING     |                  | 2       |
| 4   | 597 79 56-01 | BALL BEARING     | Tube 50 pcs      | 1       |
| 5   | 535 08 78-03 | WASHER           |                  | 2       |
| 6   | 580 76 46-01 | WASHER           |                  | 2       |
| 7   | 581 62 15-01 | SHIELD KIT       |                  | 2       |
| 8   | 580 48 71-01 | SEALING          |                  | 2       |
| 9   | 580 60 51-01 | BALL BEARING     |                  | 2       |
| 9   | 597 79 56-01 | BALL BEARING     | Tube 50 pcs      | 1       |
| 10  | 579 45 71-01 | WHEEL            | Inside           | 2       |
| 11  | 574 44 98-01 | WHEEL            | Tire             | 2       |
| 12  | 580 44 51-01 | O-RING           |                  | 2       |
| 13  | 580 60 51-01 | BALL BEARING     |                  | 2       |
| 13  | 597 79 56-01 | BALL BEARING     | Tube 50 pcs      | 1       |
| 14  | 580 76 46-01 | WASHER           |                  | 2       |
| 15  | 576 01 93-02 | LOCKWASHER       |                  | 2       |
| 16  | 579 45 72-01 | WHEEL            | Outside          | 2       |
| 17  | 575 54 33-14 | SCREW            |                  | 6       |
| 18  | 580 33 61-01 | SPINDLE          |                  | 2       |
| 19  | 581 62 14-01 | WHEEL KIT        | Front Wheel Kit  | 2       |
| 20  | 580 44 39-02 | O-RING           |                  | 2       |
| 21  | 581 62 13-06 | MOTOR KIT        | Wheel Motor Assy | 2       |
| 22  | 574 45 01-01 | SCREW ITXPANT    |                  | 8       |
| 23  | 575 54 33-14 | SCREW            |                  | 6       |
| 24  | 579 50 56-02 | COVER            | Rear Wheel       | 2       |
| 25  | 579 50 61-02 | REAR WHEEL       | Light Grey       | 2       |
| 26  | 586 21 06-01 | WASHER           |                  | 2       |
| 27  | 731 43 24-01 | HEXAGON THIN NUT |                  | 2       |
| 28  | 579 50 55-02 | HUB CAP          |                  | 2       |

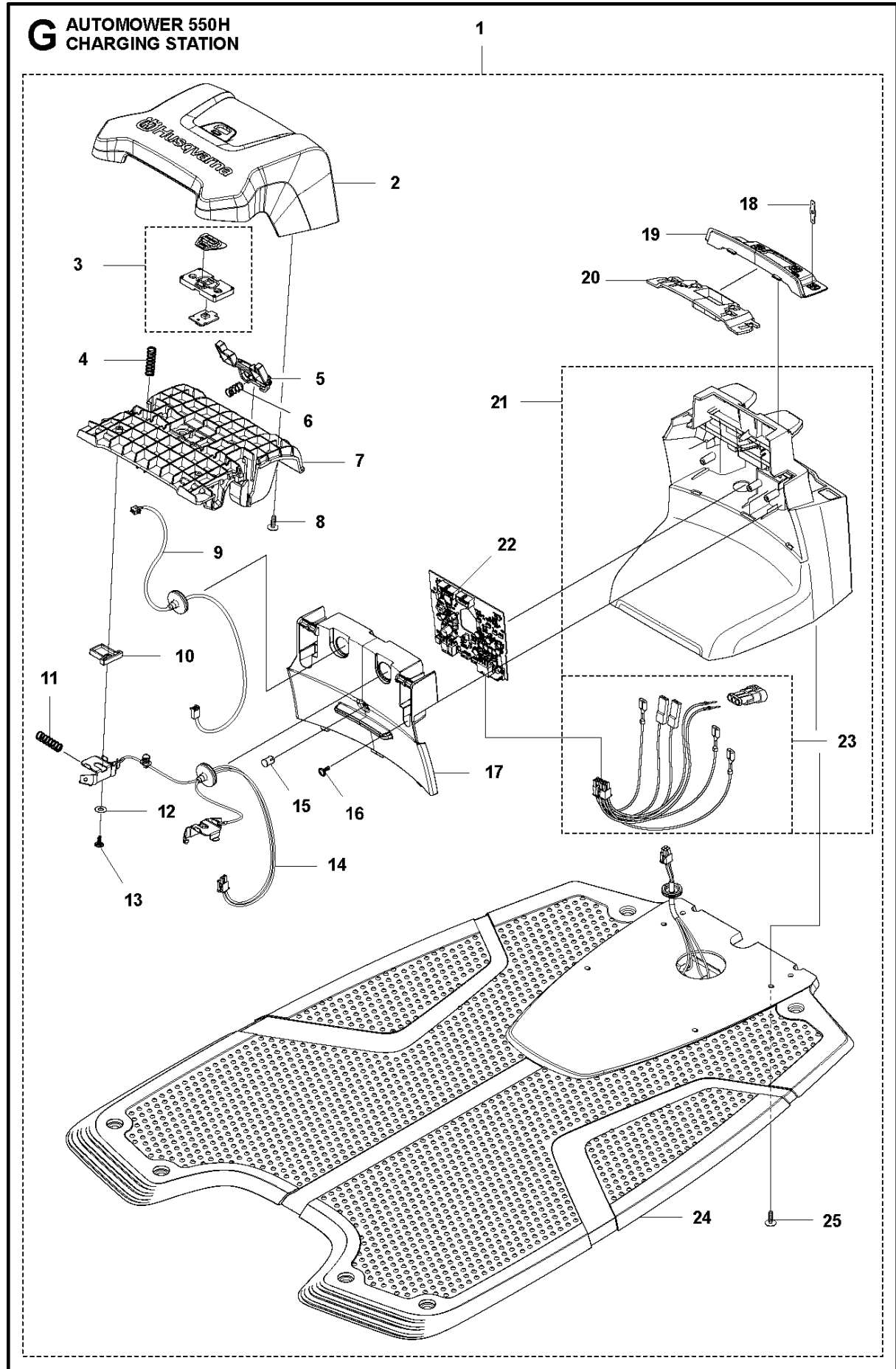
**F** AUTOMOWER 550H  
BLADE MOTOR & CUTTING EQUIPMENT



## BLADE MOTOR &amp; CUTTING EQUIPMENT

AUTOMOWER 550H, 2020-

| Ref | Part No      | Description          | Remark             | QTY KIT |
|-----|--------------|----------------------|--------------------|---------|
| 1   | 580 62 44-01 | SPRING               |                    | 1       |
| 2   | 579 56 46-01 | LINK                 |                    | 1       |
| 3   | 575 54 33-14 | SCREW                |                    | 3       |
| 4   | 581 62 18-01 | BEARING KIT          |                    | 1       |
| 5   | 579 56 45-01 | HOUSING              |                    | 1       |
| 6   | 579 66 64-03 | BELLOWS              |                    | 1       |
| 7   | 587 38 14-01 | MOTOR ASSY           | Cutting Motor Assy | 1       |
| 8   | 575 54 33-14 | SCREW                |                    | 4       |
| 9   | 587 37 81-01 | CUTTING DISC         |                    | 1       |
| 10  | 535 13 05-02 | SCREW                |                    | 3       |
| 11  | 588 42 17-02 | BEARING HOUSING ASSY |                    | 1       |
| 12  | 535 07 60-01 | SCREW                |                    | 1       |
| 13  | 587 37 80-01 | SKID PLATE           |                    | 1       |
| 14  | 587 44 96-01 | COVER KIT            | Bearing Cover Assy | 1       |
| 15  | 585 29 75-01 | O-RING               |                    | 1       |
| 16  | 575 54 33-14 | SCREW                |                    | 3       |
| 17  | 535 07 57-03 | BALL BEARING         |                    | 1       |
| 17  | 593 08 08-01 | BALL BEARING         | Tube 50 pcs        | 1       |

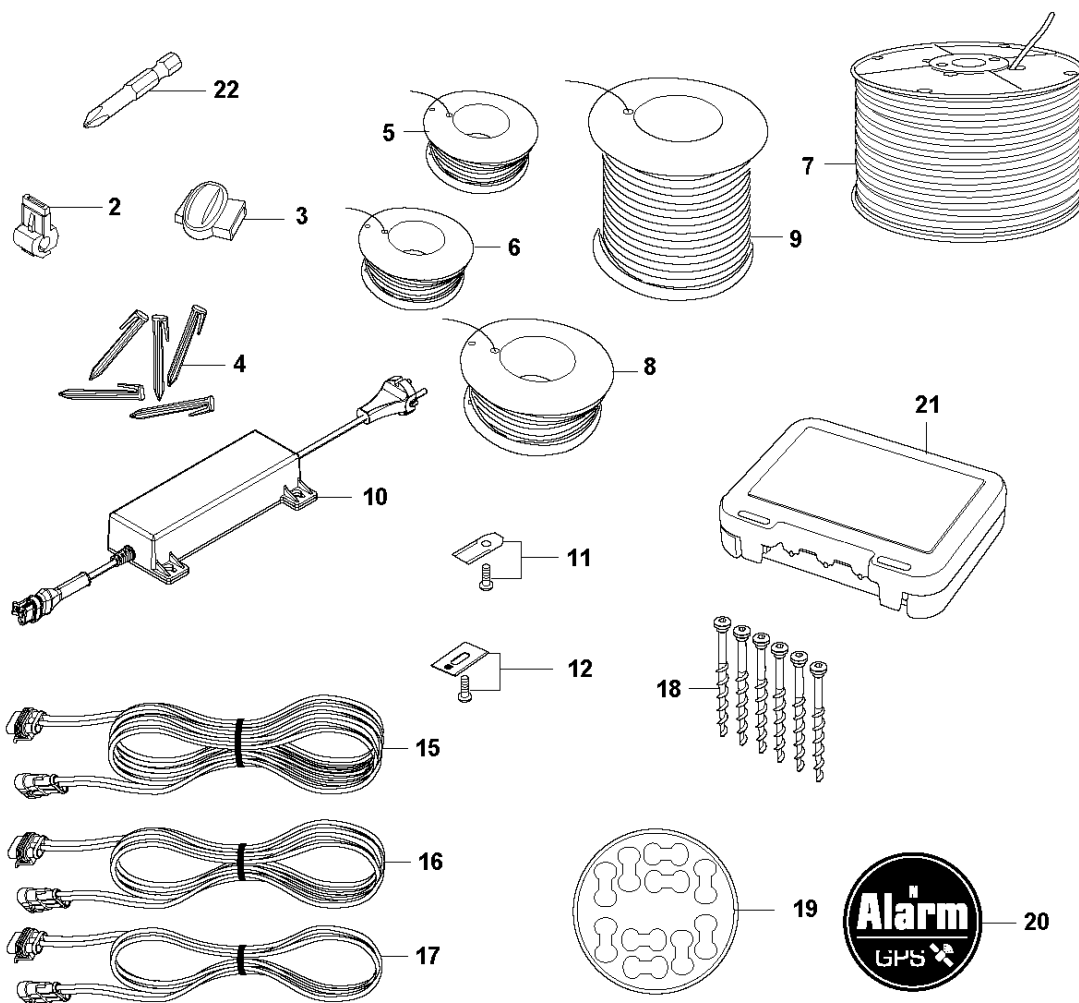
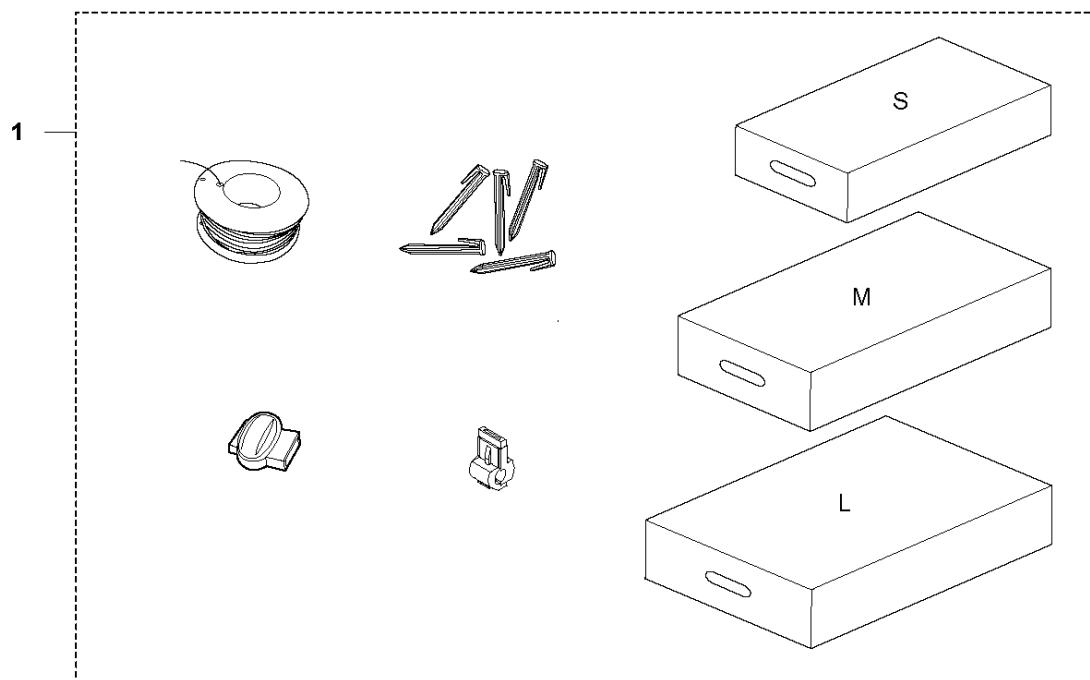


## CHARGING STATION

AUTOMOWER 550H, 2020-

| Ref | Part No      | Description          | Remark                | QTY KIT |
|-----|--------------|----------------------|-----------------------|---------|
| 1   | 596 53 75-01 | CHARGING STATION     | Universal High-Cut    | 1       |
| 2   | 579 44 82-04 | CAP                  | With Park Button      | 1       |
| 3   | 501 06 59-01 | BUTTON KIT           | Home Button Kit       | 1       |
| 4   | 580 51 14-01 | SPRING               |                       | 2       |
| 5   | 579 46 24-02 | BUTTON               | Button-Release        | 1       |
| 6   | 574 48 70-01 | SPRING               |                       | 1       |
| 7   | 579 45 80-04 | FRAME                |                       | 1       |
| 8   | 575 54 33-14 | SCREW                |                       | 4       |
| 9   | 579 70 83-01 | LOOM                 | Home Button Wiring    | 1       |
| 10  | 579 46 05-01 | SPACER               |                       | 2       |
| 11  | 580 51 14-01 | SPRING               |                       | 2       |
| 12  | 734 11 37-41 | WASHER               |                       | 2       |
| 13  | 575 54 33-14 | SCREW                |                       | 2       |
| 14  | 585 53 95-02 | CABLE ASSY           | Loom Charging Contact | 1       |
| 15  | 590 21 72-01 | LENS                 |                       | 1       |
| 16  | 575 54 33-14 | SCREW                |                       | 2       |
| 17  | 579 45 97-03 | LID                  | 2 holes               | 1       |
| 18  | 580 50 41-01 | TERMINAL             |                       | 4       |
| 19  | 579 45 98-02 | PANEL                |                       | 1       |
| 20  | 579 45 99-01 | HOLDER               |                       | 1       |
| 21  | 596 49 67-01 | HOUSING ASSY         |                       | 1       |
| 22  | 596 32 80-01 | PRINTED CIRCUIT ASSY | PCBA Charging Station | 1       |
| 23  | 588 47 89-01 | CABLE KIT            | Wiring CS             | 1       |
| 24  | 590 09 40-01 | BASE ASSY            | Charging Plate        | 1       |
| 25  | 575 54 33-14 | SCREW                |                       | 4       |

# H AUTOMOWER 550H INSTALLATION ACCESSORIES

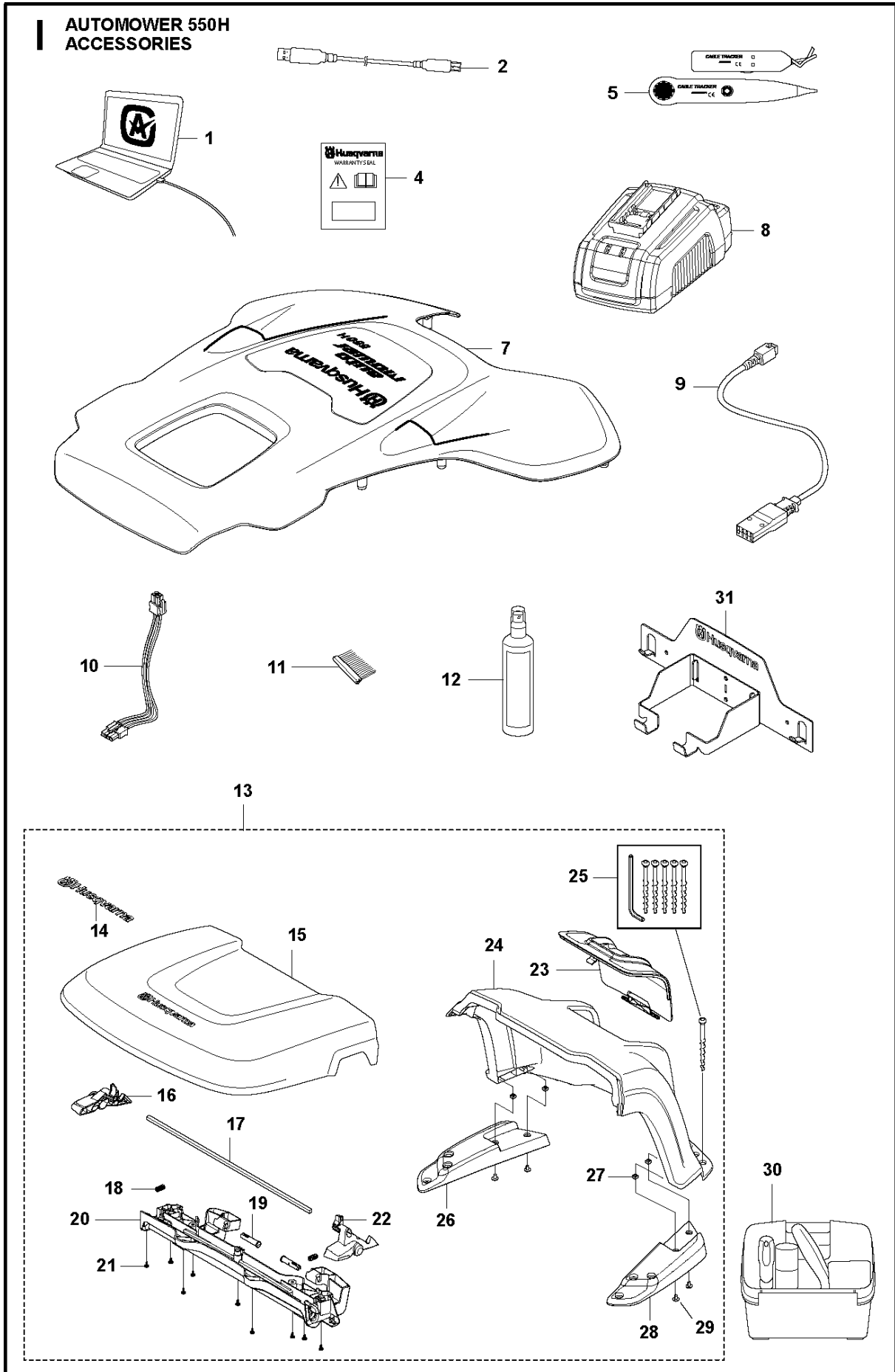




INSTALLATION ACCESSORIES

AUTOMOWER 550H, 2020-

| Ref | Part No      | Description      | Remark   | QTY KIT |
|-----|--------------|------------------|--|---------|
| 1   | 967 62 36-01 | INSTALLATION KIT | S Wire 150 m, Staples 300 pc, Connectors 3 pcs, Couplers 5 pcs | 1       |
| 1   | 967 62 36-02 | INSTALLATION KIT | M Wire 250 m, Staples 400 pc, Connectors 3 pcs, Couplers 5 pcs | 1       |
| 1   | 967 62 36-03 | INSTALLATION KIT | S Wire 400 m, Staples 600 pc, Connectors 5 pcs, Couplers 5 pcs | 1       |
| 2   | 535 12 90-01 | CONNECTOR        | Loop Wire Connector  | 1       |
| 2   | 577 86 48-01 | CONNECTOR        | Loop Wire Connector, Blister Pack 5 pcs                        | 1       |
| 2   | 535 12 90-02 | CONNECTOR        | Loop Wire Connector, Blister Pack 100 pcs                      | 1       |
| 3   | 501 98 02-01 | COUPLER          | Coupler  | 1       |
| 3   | 577 86 47-01 | COUPLER          | Coupler, Blister Pack 5 pcs                                    | 1       |
| 3   | 501 98 02-03 | COUPLER          | Coupler, 100 pcs   | 1       |
| 4   | 577 86 42-01 | STAPLE           | Staple Blister Pack 100 pcs                                    | 1       |
| 4   | 583 97 34-01 | STAPLE           | 100 pcs  | 1       |
| 5   | 577 86 43-02 | WIRE             | Wire, Blister Pack 50 m  | 1       |
| 5   | 580 66 20-02 | WIRE             | Wire, 150 m  | 1       |
| 5   | 577 86 43-01 | WIRE             | Wire, Blister Pack 150 m                                       | 1       |
| 6   | 580 66 20-01 | WIRE             | Wire, 250 m  | 1       |
| 7   | 593 29 77-01 | WIRE             | Wire Pro, 300 m  | 1       |
| 8   | 522 91 41-01 | WIRE             | Wire, 500 m, diam 3,4mm  | 1       |
| 9   | 580 66 20-04 | WIRE             | Wire, 800 m  | 1       |
| 10  | 590 44 25-04 | POWER UNIT       | Power Supply Unit, US,MX                                       | 1       |
| 11  | 577 86 46-03 | BLADE SET        | Long Life Safety Blade, Blister Pack 9 pcs                     | 1       |
| 11  | 577 60 65-05 | BLADE SET        | Long Life Safety Blade, 45 pcs                                 | 1       |
| 11  | 577 60 66-04 | BLADE SET        | Long Life Safety Blade, 300 pcs                                | 1       |
| 12  | 595 08 44-01 | BLADE SET        | Endurance Blade, Blister Pack 6 pcs                            | 1       |
| 12  | 595 08 44-02 | BLADE SET        | Endurance Blade, 45 pcs  | 1       |
| 12  | 595 08 44-03 | BLADE SET        | Endurance Blade, 300 pcs                                       | 1       |
| 15  | 588 76 50-04 | CABLE            | Low Voltage Cable, 20 m  | 1       |
| 16  | 588 76 50-05 | CABLE            | Low Voltage Cable, 10 m  | 1       |
| 17  | 588 76 50-06 | CABLE            | Low Voltage Cable, 3 m   | 1       |
| 18  | 575 23 86-01 | SCREW KIT        | 6 pcs  | 1       |
| 18  | 577 86 49-01 | SCREW            | Blister Pack, 3 pcs  | 1       |
| 19  | 586 27 79-01 | STICKER          | Cable Markers, 10 pcs  | 1       |
| 20  | 594 05 48-01 | LABEL            | Label Alarm  | 1       |
| 21  | 590 85 50-01 | BOX              | Cable Connector Protection                                     | 1       |
| 22  | 596 33 98-01 | TOOL             | Bit for Robotic Blades   | 1       |



## ACCESSORIES

AUTOMOWER 550H, 2020-

| Ref | Part No      | Description    | Remark                          | QTY KIT |
|-----|--------------|----------------|---------------------------------|---------|
| 2   | 577 51 81-02 | CABLE          | Service Cable USB               | 1       |
| 4   | 580 68 95-02 | LABEL          | Warranty Seal, 1pcs             | 1       |
| 5   | 577 60 68-01 | TEST EQUIPMENT | Interruption Detector           | 1       |
| 7   | 596 50 21-01 | BODY KIT       | Cover Kit Grey                  | 1       |
| 7   | 596 50 21-02 | BODY KIT       | Cover Kit Orange                | 1       |
| 8   | 588 40 84-01 | CHARGER        | Quick Charger with Battery Test | 1       |
| 9   | 588 20 26-01 | CABLE ASSY     | Cable Quick Charger             | 1       |
| 10  | 591 20 36-01 | WIRING ASSY    |                                 | 1       |
| 11  | 581 98 20-02 | BRUSH KIT      | Brush, 6 pcs                    | 1       |
| 12  | 593 96 79-01 | SPRAY          |                                 | 1       |
| 13  | 597 63 52-01 | HOUSING        | House KIT                       | 1       |
| 14  | 577 06 20-01 | DECAL          | DECAL                           | 1       |
| 16  | 585 32 40-02 | HANDLE         | Handle Left                     | 1       |
| 17  | 585 32 41-01 | ROD            | Steel Rod                       | 1       |
| 18  | 580 51 14-01 | SPRING         | Spring                          | 2       |
| 19  | 585 34 15-01 | HINGE PIN      | Hinge Pin                       | 2       |
| 20  | 585 34 16-01 | BEAM           | Beam                            | 1       |
| 21  | 575 54 33-14 | SCREW          | Screw                           | 9       |
| 22  | 585 32 40-01 | HANDLE         | Handle Right                    | 1       |
| 23  | 585 32 36-01 | HATCH          | Hatch                           | 1       |
| 24  | 597 63 57-01 | HOUSING        | Cover Base                      | 1       |
| 25  | 597 43 58-01 | ANCHOR         | Screw Kit                       | 1       |
| 26  | 585 32 38-02 | SUPPORT        | Support Base Left               | 1       |
| 27  | 503 22 66-01 | SQUARE NUT     | Square Nut                      | 4       |
| 28  | 585 32 38-01 | SUPPORT        | Support Base Left               | 1       |
| 29  | 535 12 93-03 | SCREW IHPANM   | Screw                           | 4       |
| 30  | 590 85 51-01 | KIT            | Maintenance and cleaning kit    | 1       |
| 31  | 598 41 11-01 | WALL HANGER    | Wall hanger                     | 1       |