

Illustrated Parts List - IPL Update



Product Name(s)

H545

Description of change

1. A new Filter holder, assy: 574 19 89-03 (standard) has been introduced. No nipple, hole removed to improve the startability.
2. A new Hose kit 589 35 71-01 replace the Hose 587 64 54-02. The new kit can be used for both new and old models regardless of which generation of filter holder the user have.
3. A new Hose 587 64 54-04 added for the new filter holders without nipple.
4. A new Inlet pipe, assy 525 50 00-03 has been introduced. The change has been made to ensure the assembly and to avoid leakage.

Comments

This update is exchangeable.

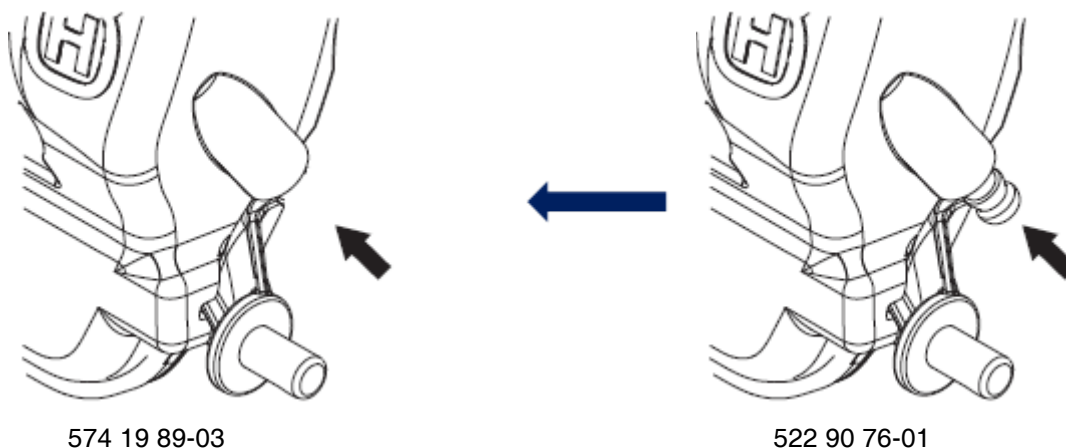
Introduced from

Serial number / Date	Remark
s/n 20153900097	Valid for Filter holder, assy 574 19 89-03.
s/n 20153900097	Valid for Hose 587 64 54-04.
s/n 20162400193	Valid for Inlet pipe assy 525 50 00-03.

IPL updates

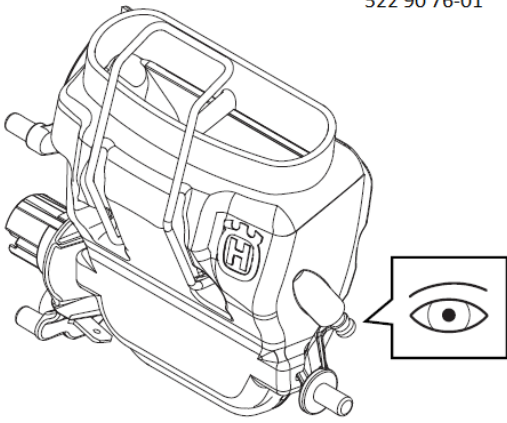
Page Title	Ref. no	New part no	Name	Excl. part no.	Remark
Carburettor and airfilter	2	574 19 89-03	Filter holder, assy	522 90 76-01	
	9	587 64 54-04	Ventilating Hose		New
	9	589 35 71-01	Ventilating Hose, kit	587 64 54-02	
	14	525 50 00-03	Inlet pipe assy	525 50 00-02	

1. Filter holder

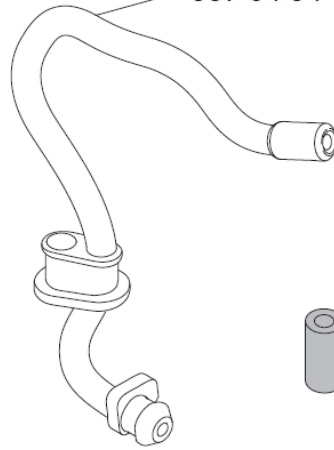


2. Kit 589 35 71-01

522 90 76-01



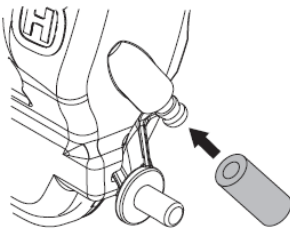
587 64 54-04



537 18 00-01



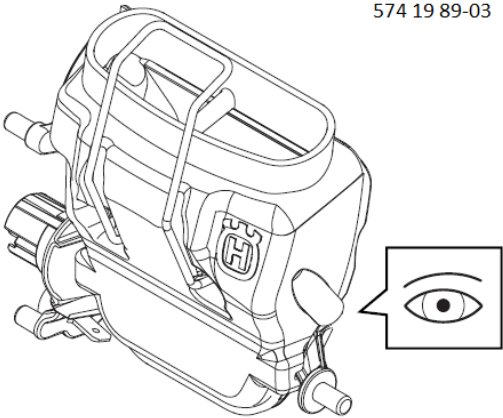
1.



2.



574 19 89-03



587 64 54-04

