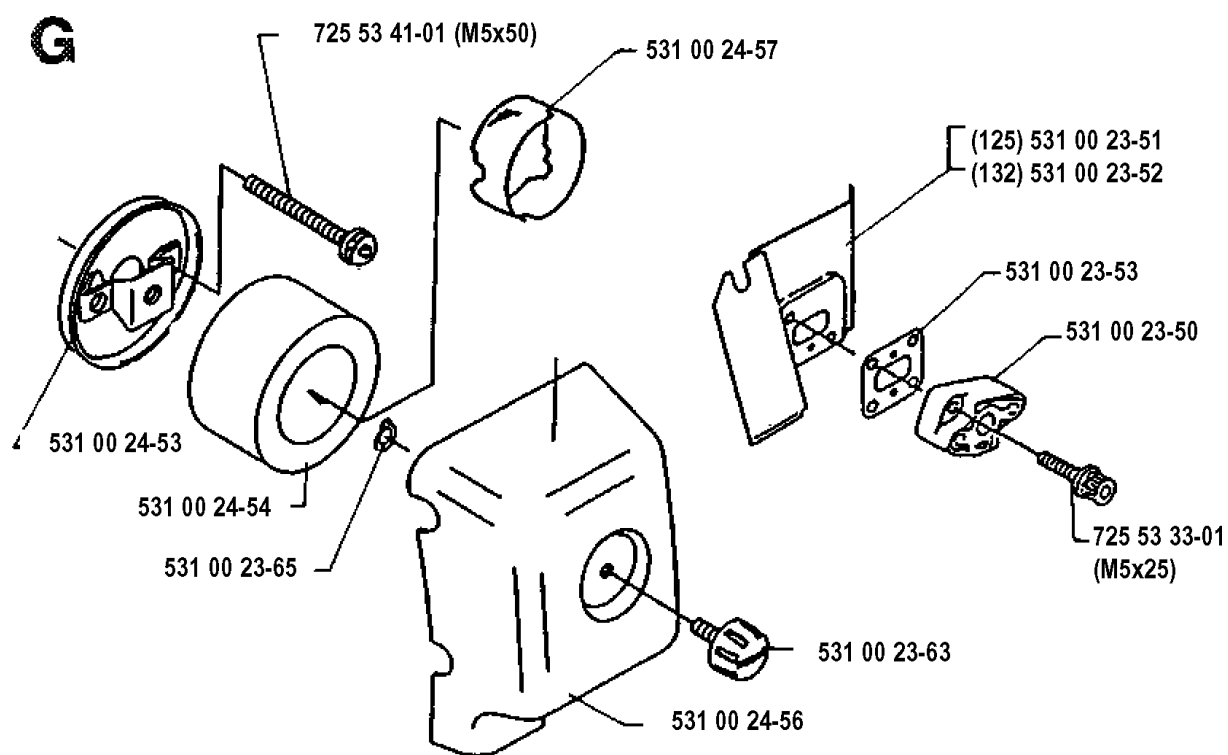




SPARE PARTS LIST

TRIMMERS/EDGERS

132 L, 1990-11

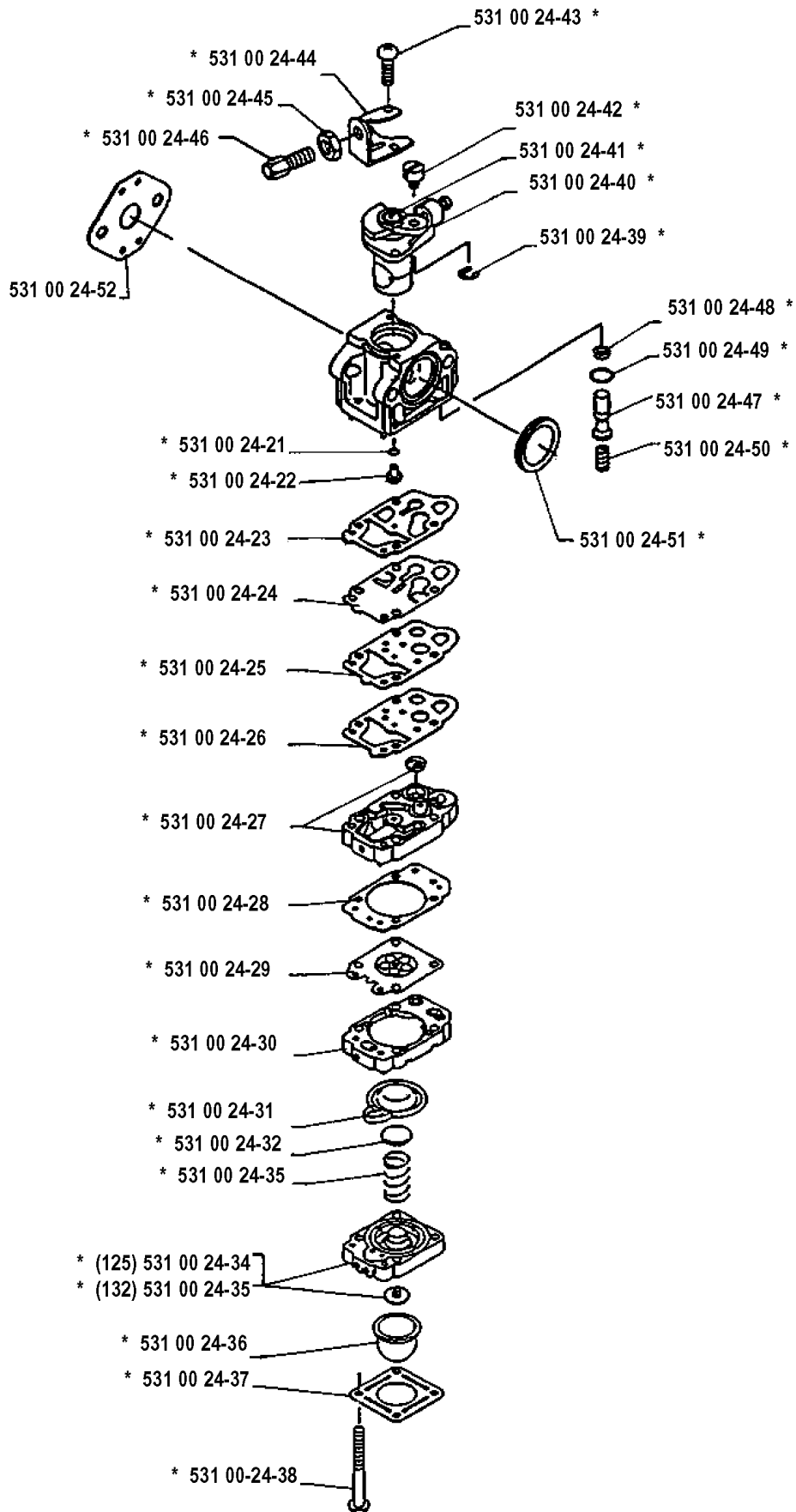


AIR FILTER

132 L, 1990-11

Part No	Description	Remark	QTY KIT
531 00 23-50	INSULSTER		1
531 00 23-51	PLATE	125	1
531 00 23-52	PLATE	132	1
531 00 23-53	GASKET		1
531 00 23-63	SCREW		1
531 00 23-65	RETAINING RING		1
531 00 24-53	HOLDER		1
531 00 24-54	AIR FILTER		1
531 00 24-56	COVER		1
531 00 24-57	SCREEN		1
725 53 33-01	SCREW IHSCM	M5X25	1
725 53 41-01	SCREW IHSCM	M5X50	1

P



CARBURETOR DETAILS

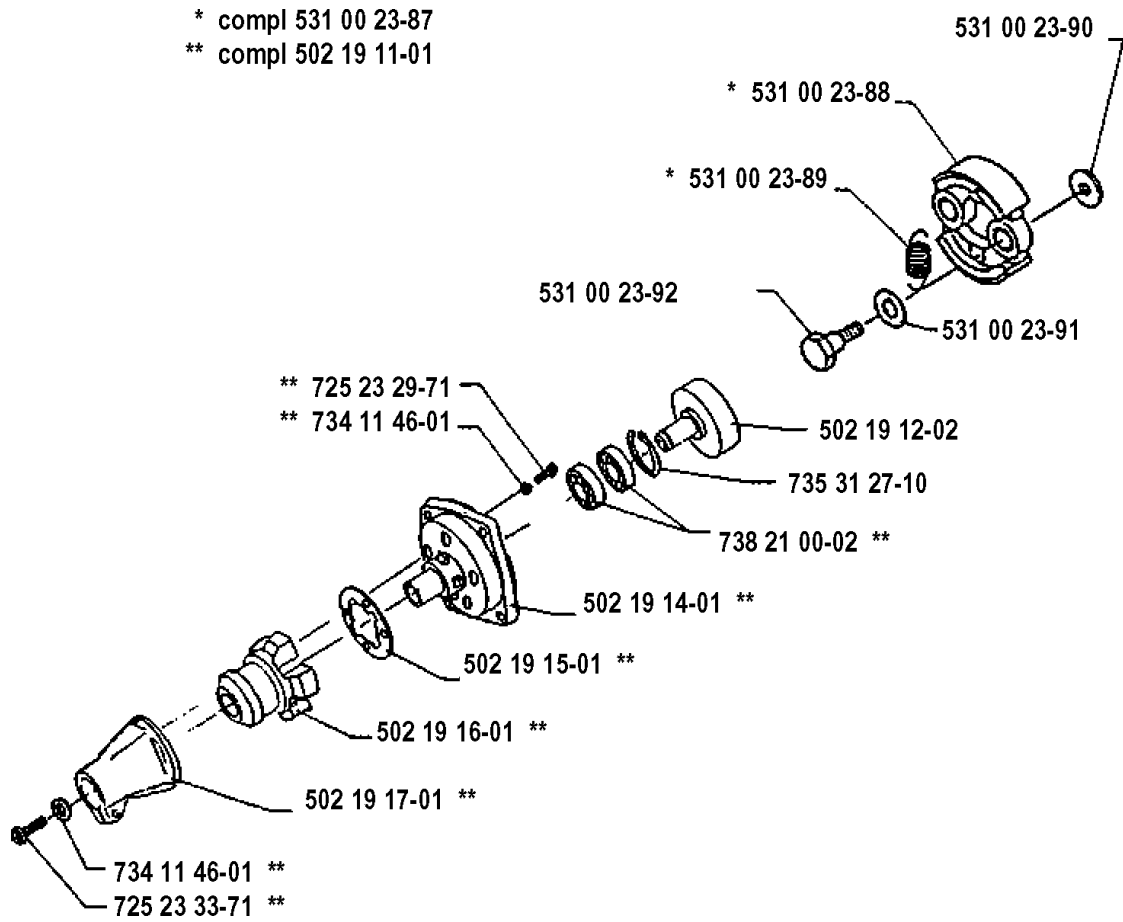
132 L, 1990-11

Part No	Description	Remark	QTY KIT
531 00 24-21	O-RING		1
531 00 24-22	JET		1
531 00 24-23	GASKET		1
531 00 24-24	DIAPHRAGM		1
531 00 24-25	PLATE		1
531 00 24-26	GASKET		1
531 00 24-27	HOUSING		1
531 00 24-28	GASKET		1
531 00 24-29	DIAPHRAGM		1
531 00 24-30	HOUSING		1
531 00 24-31	DIAPHRAGM		1
531 00 24-32	HOLDER		1
531 00 24-34	HOUSING	125	1
531 00 24-35	HOUSING		1
531 00 24-35	HOUSING	132	1
531 00 24-36	PRIMER		1
531 00 24-37	COVER		1
531 00 24-38	SCREW		1
531 00 24-39	RETAINING RING		1
531 00 24-40	THROTTLE VALVE		1
531 00 24-41	PLUG		1
531 00 24-42	CONNECTION		1
531 00 24-43	SCREW		1
531 00 24-44	BRACKET		1
531 00 24-45	NUT		1
531 00 24-46	SCREW		1
531 00 24-47	VALVE		1
531 00 24-48	GASKET		1
531 00 24-49	O-RING		1
531 00 24-50	SPRING		1
531 00 24-51	GASKET		1
531 00 24-52	GASKET		1



* compl 531 00 23-87

** compl 502 19 11-01



CLUTCH

132 L, 1990-11

Part No	Description	Remark	QTY KIT
502 19 11-01	CLUTCH ASSY		1
502 19 12-02	CLUTCH DRUM		1
502 19 14-01	BEARING HOLDER		1
502 19 15-01	WASHER		1
502 19 16-01	ANTIVIBRATION ELEMENT		1
502 19 17-01	CLUTCH COVER		1
531 00 23-87	CLUTCH ASSY		1
531 00 23-88	CLUTCH		1
531 00 23-89	SPRING		1
531 00 23-90	WASHER		1
531 00 23-91	WASHER		1
531 00 23-92	SCREW		1
725 23 29-71	SCREW EHHM		1
725 23 33-71	SCREW EHHM		1
734 11 46-01	WASHER		1
734 11 46-01	WASHER		1
735 31 27-10	CIRCLIP		1
738 21 00-02	BALL BEARING		1

K

* compl 531 00 23-67 (132)

* compl 531 00 23-66 (125)

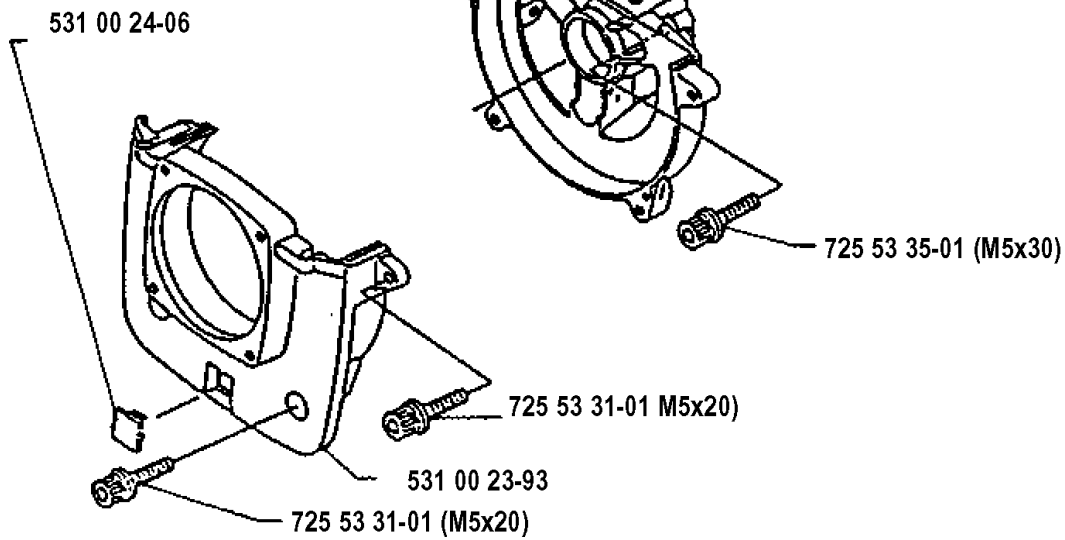
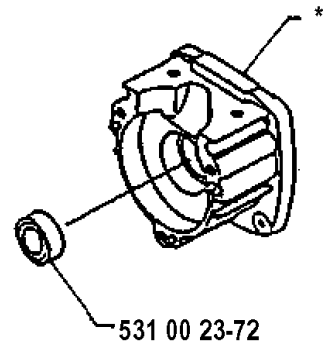
(125) 531 00 23-73

(132) 531 00 23-74

(125) 531 00 23-70

(132) 531 00 23-71

*

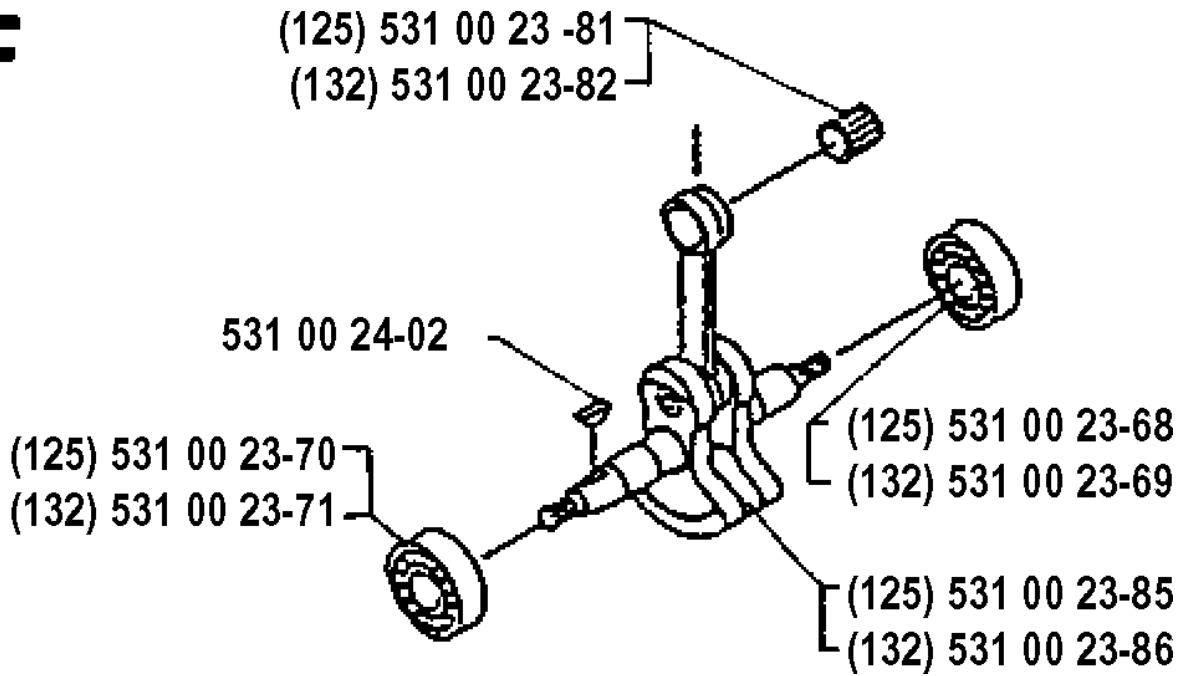


CRANKCASE

132 L, 1990-11

Part No	Description	Remark	QTY KIT
531 00 23-66	CRANKCASE	125	1
531 00 23-67	CRANKCASE	132	1
531 00 23-70	SEAL RING	125	1
531 00 23-71	SEAL RING	132	1
531 00 23-72	SEALING RING		1
531 00 23-73	RETAINING RING	125	1
531 00 23-74	RETAINING RING	132	1
531 00 23-93	COVER		1
531 00 24-06	PLUG		1
725 53 31-01	SCREW IHSCM	M5X20	1
725 53 31-01	SCREW IHSCM	M5X20	1
725 53 35-01	SCREW IHSCM	M5X30	1

F

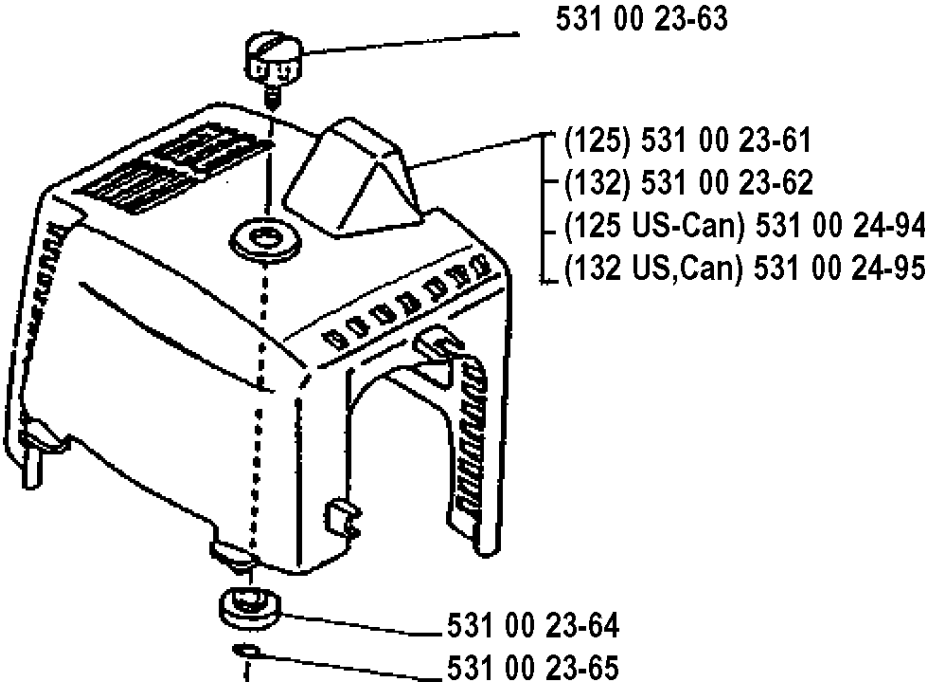


CRANKSHAFT

132 L, 1990-11

Part No	Description	Remark	QTY KIT
531 00 23-68	BEARING	125	1
531 00 23-69	BEARING	132	1
531 00 23-70	SEAL RING	125	1
531 00 23-71	SEAL RING	132	1
531 00 23-81	SUPPORT BUSHING	125	1
531 00 23-82	SUPPORT BUSHING	132	1
531 00 23-85	CRANKSHAFT	125	1
531 00 23-86	CRANKSHAFT	132	1
531 00 24-02	KEY		1

D

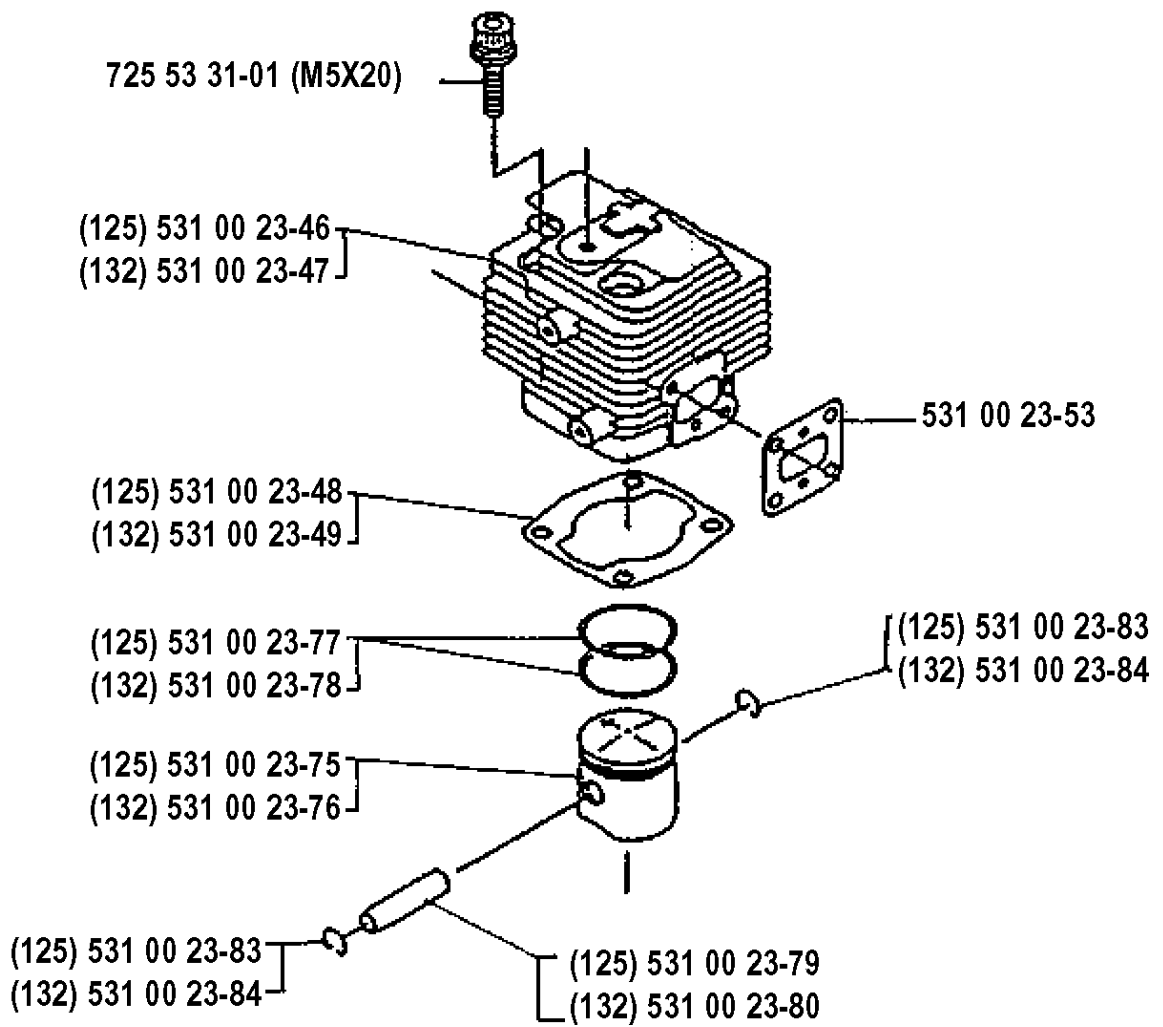


CYLINDER COVER

132 L, 1990-11

Part No	Description	Remark	QTY KIT
531 00 23-61	COVER	125	1
531 00 23-62	COVER	132	1
531 00 23-63	SCREW		1
531 00 23-64	SPACER		1
531 00 23-65	RETAINING RING		1
531 00 24-94	COVER	125 US-CAN	1
531 00 24-95	COVER	132 US,CAN	1

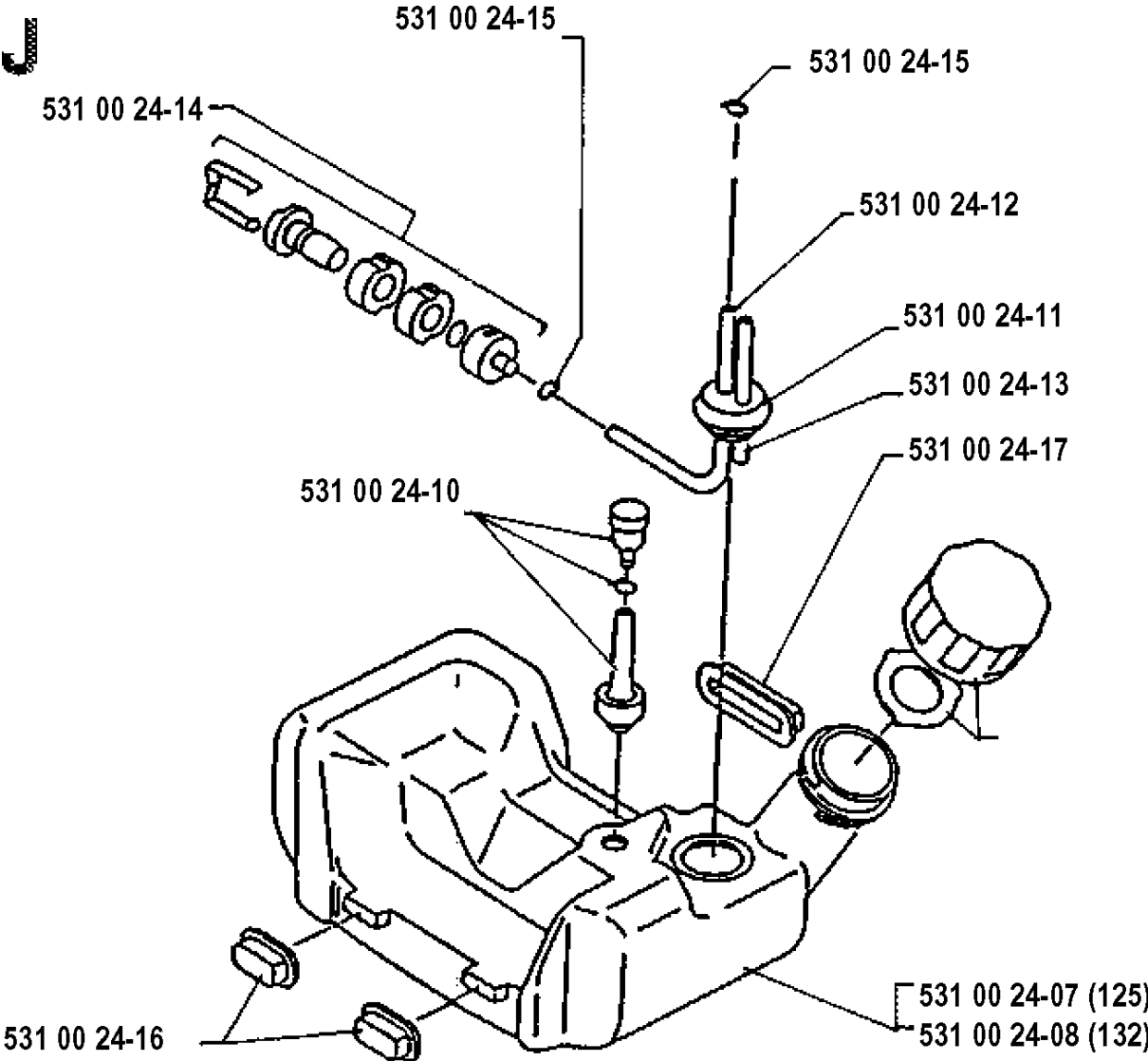
C



CYLINDER PISTON

132 L, 1990-11

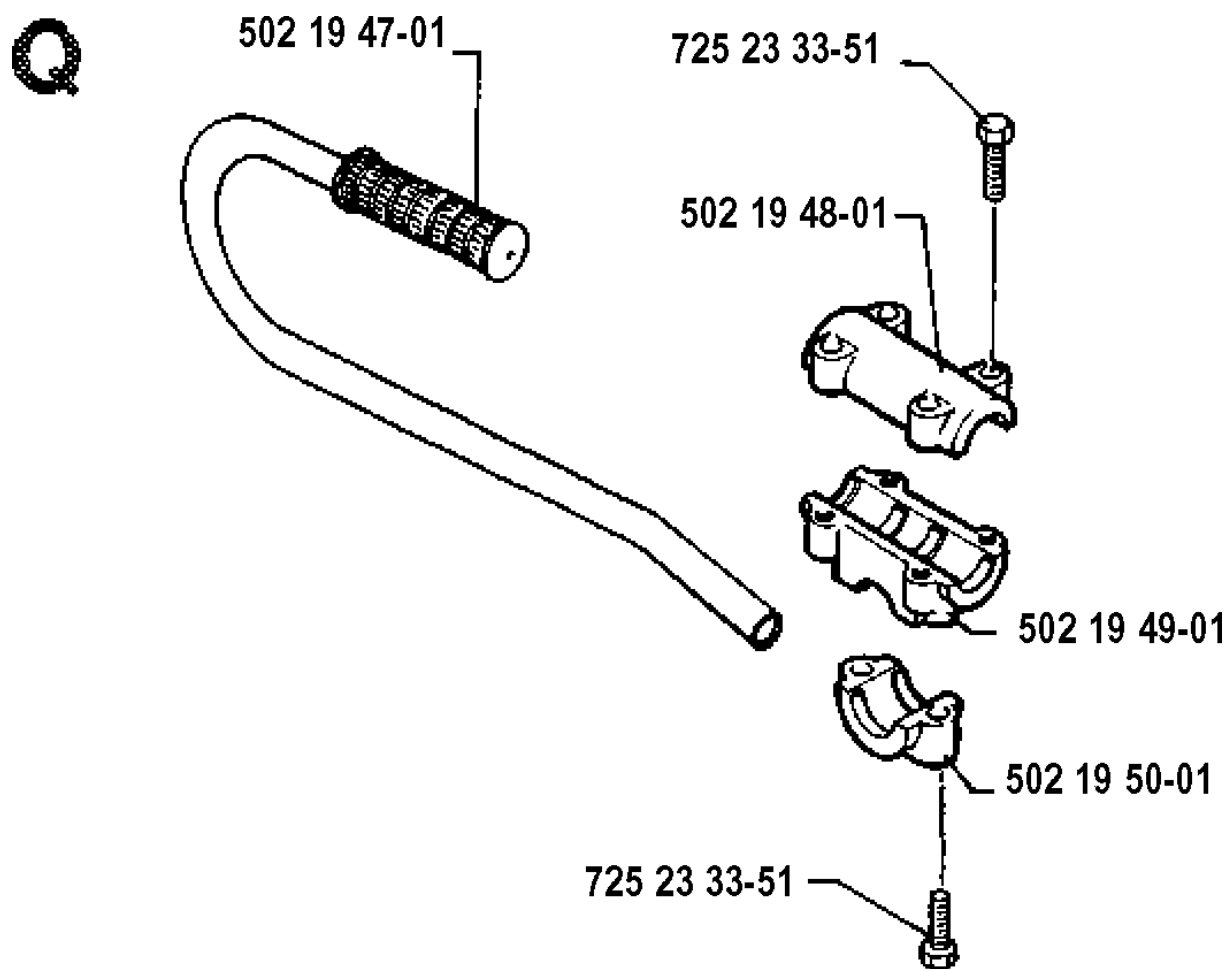
Part No	Description	Remark	QTY KIT
531 00 23-46	CYLINDER	125	1
531 00 23-47	CYLINDER	132	1
531 00 23-48	GASKET	125	1
531 00 23-49	GASKET	132	1
531 00 23-53	GASKET		1
531 00 23-75	PISTON	125	1
531 00 23-76	PISTON	132	1
531 00 23-77	PISTON RING	125	1
531 00 23-78	PISTON RING	132	1
531 00 23-79	PISTON BOLT	125	1
531 00 23-80	PISTON BOLT	132	1
531 00 23-83	CLIP	125	1
531 00 23-83	CLIP	125	1
531 00 23-84	CLIP	132	1
531 00 23-84	CLIP	132	1
725 53 31-01	SCREW IHSCM	M5X20	1



FUEL TANK

132 L, 1990-11

Part No	Description	Remark	QTY KIT
531 00 24-07	TANK	125	1
531 00 24-08	TANK	132	1
531 00 24-10	VALVE		1
531 00 24-11	SLEEVE		1
531 00 24-12	HOSE		1
531 00 24-13	PIPE		1
531 00 24-14	FILTER		1
531 00 24-15	CLIP		1
531 00 24-15	CLIP		1
531 00 24-16	SLEEVE		1
531 00 24-17	PAD		1

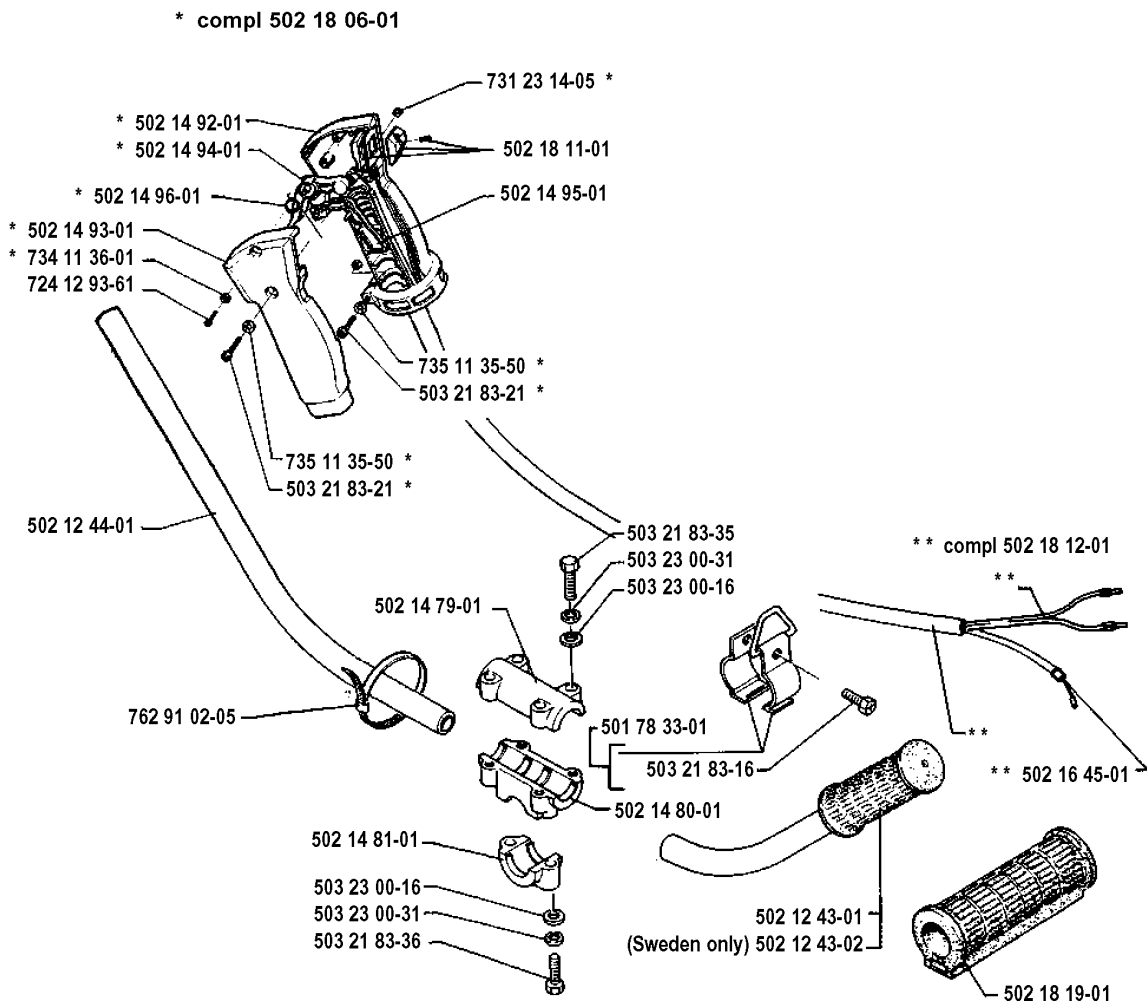


HANDLE

132 L, 1990-11

Part No	Description	Remark	QTY KIT
502 19 47-01	HANDLE		1
502 19 48-01	HOLDER		1
502 19 49-01	HOLDER		1
502 19 50-01	BRACKET		1
725 23 33-51	SCREW EHHM		1
725 23 33-51	SCREW EHHM		1

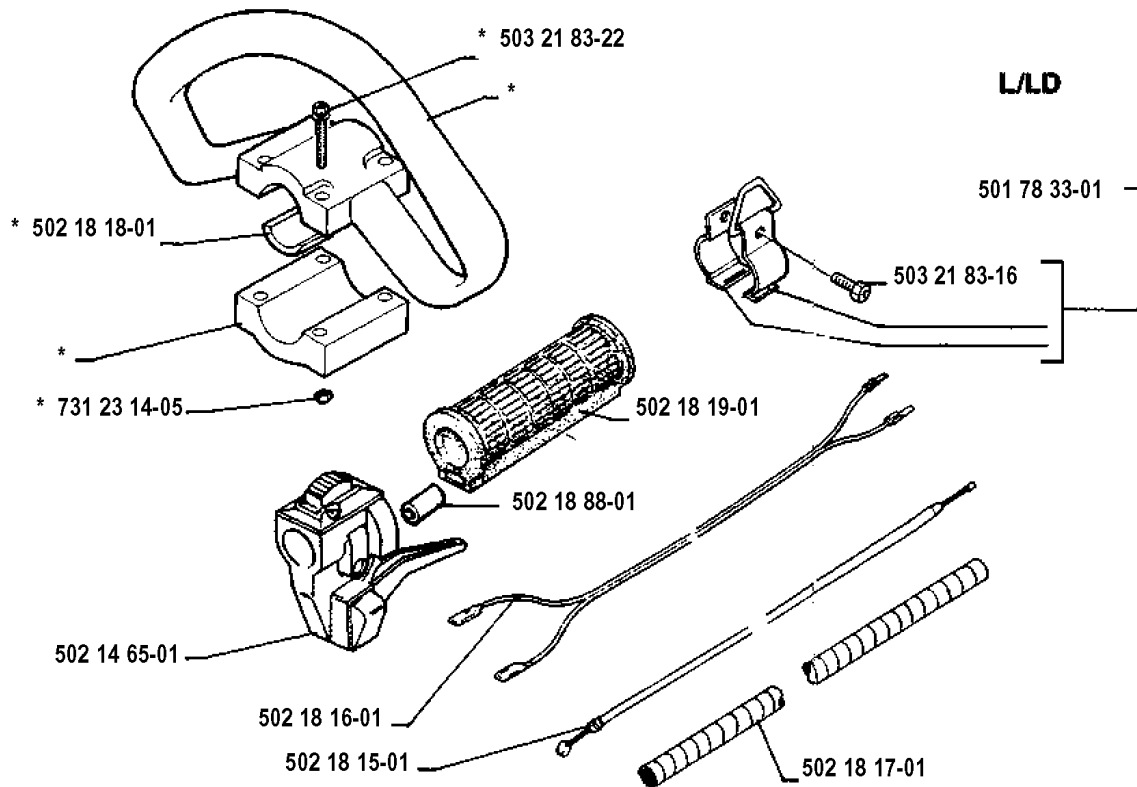
A



HANDLE & CONTROLS

132 L, 1990-11

Part No	Description	Remark	QTY KIT
501 78 33-01	SUSPENSION BAIL		1
502 12 43-01	HANDLEBAR LEFT		1
502 12 43-02	HANDLE LEFT	SWEDEN ONLY	1
502 12 44-01	HANDLEBAR RIGHT		1
502 14 79-01	HANDLEBAR BRACKET UP		1
502 14 80-01	HANDLEBAR BRACKET LO		1
502 14 81-01	HANDLEBAR BRACKET		1
502 14 92-01	HANDLE HALF		1
502 14 93-01	HANDLE HALF		1
502 14 94-01	THROTTLE CONTROL		1
502 14 95-01	THROTTLE LOCKOUT		1
502 14 96-01	RECOIL SPRING		1
502 16 45-01	THROTTLE WIRE		1
502 18 06-01	THROTTLE HANDLE ASSY		1
502 18 11-01	SWITCH CPL		1
502 18 12-01	WIRE ASSY		1
502 18 19-01	HANDLE		1
503 21 83-16	SCREW		1
503 21 83-21	SCREW		1
503 21 83-21	SCREW		1
503 21 83-35	SCREW		1
503 21 83-36	SCREW		1
503 23 00-16	WASHER		1
503 23 00-16	WASHER		1
503 23 00-31	WASHER		1
503 23 00-31	WASHER		1
724 12 93-61	SCREW CRPANM		1
731 23 14-05	HEXAGON NUT		1
734 11 36-01	WASHER		1
735 11 35-50	WASHER		1
735 11 35-50	WASHER		1
762 91 02-05	TIE WRAP		1

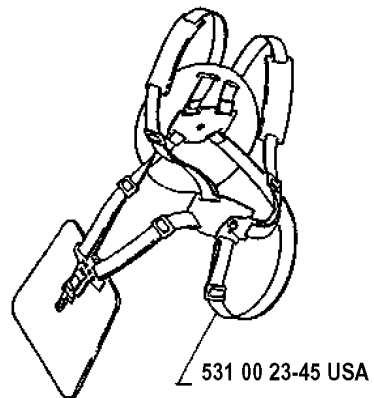
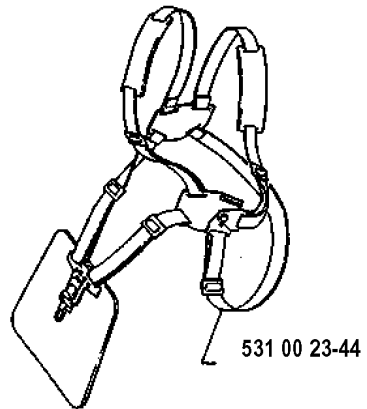
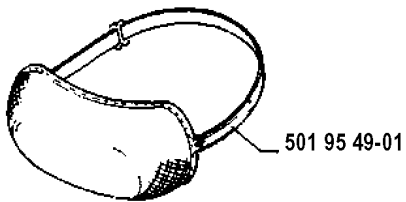
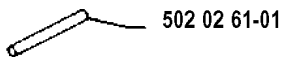
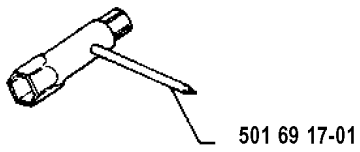
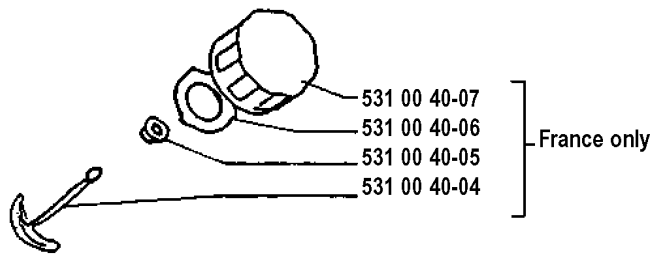
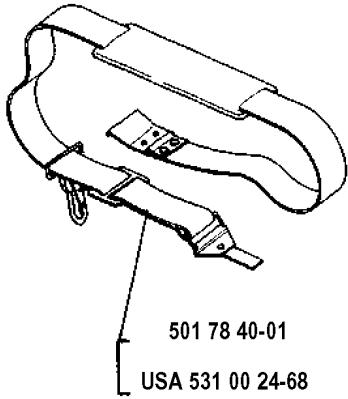


HANDLE & CONTROLS

132 L, 1990-11

Part No	Description	Remark	QTY KIT
501 78 33-01	SUSPENSION BAIL		1
502 14 65-01	THROTTLE CONTROL		1
502 18 15-01	THROTTLE WIRE		1
502 18 16-01	LEAD		1
502 18 17-01	PROTECTOR		1
502 18 18-01	DAMPER		1
502 18 19-01	HANDLE		1
502 18 88-01	CONNECTION		1
503 21 83-16	SCREW		1
503 21 83-22	SCREW		1
731 23 14-05	HEXAGON NUT		1

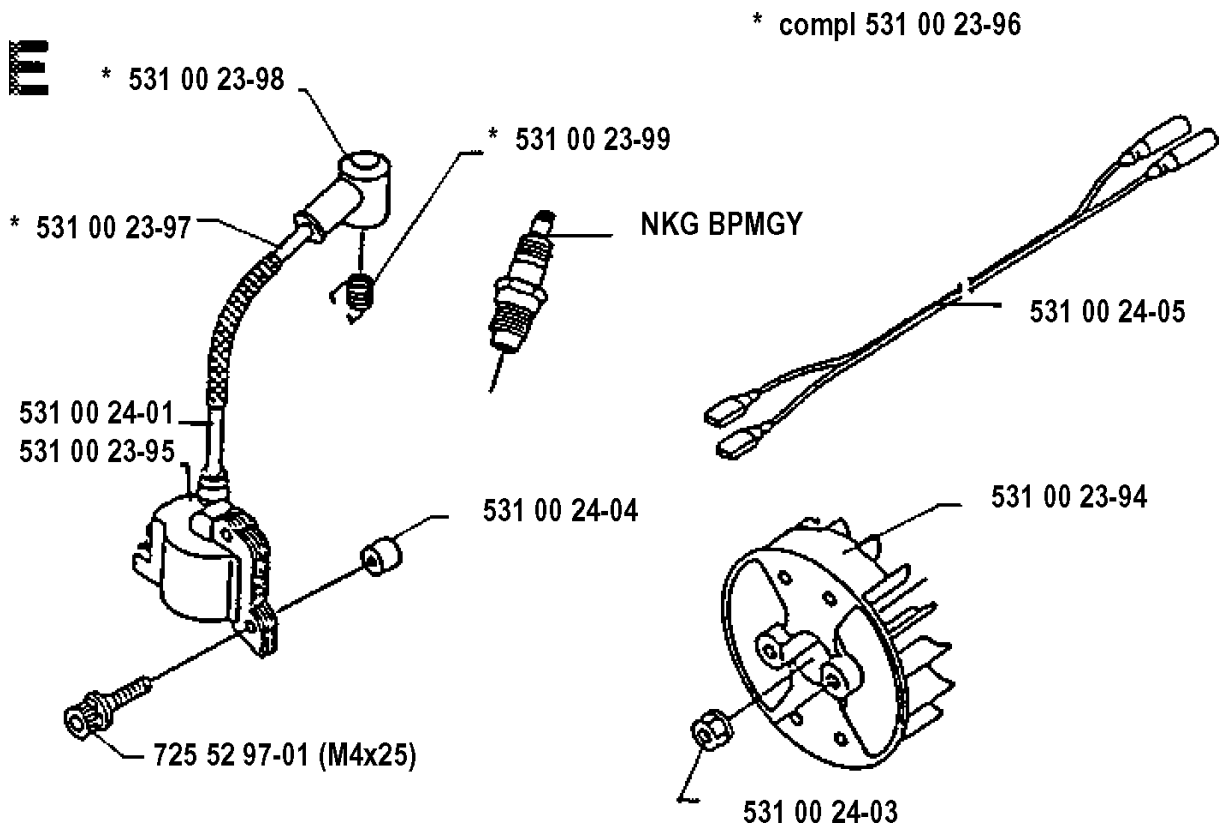
R



HARNESS

132 L, 1990-11

Part No	Description	Remark	QTY KIT
501 31 40-01	SPANNER OPEN-ENDED		1
501 69 17-01	COMBINATION WRENCH		1
501 78 40-01	HARNESS		1
501 95 49-01	SAFETY GLASSES		1
502 02 61-01	STOP		1
531 00 23-44	HARNESS		1
531 00 23-45	HARNESS	USA	1
531 00 24-68	HARNESS	USA	1
531 00 40-04	HOLDER	FRANCE ONLY	1
531 00 40-05	BRACKET	FRANCE ONLY	1
531 00 40-06	GASKET	FRANCE ONLY	1
531 00 40-07	TANK CAP	FRANCE ONLY	1

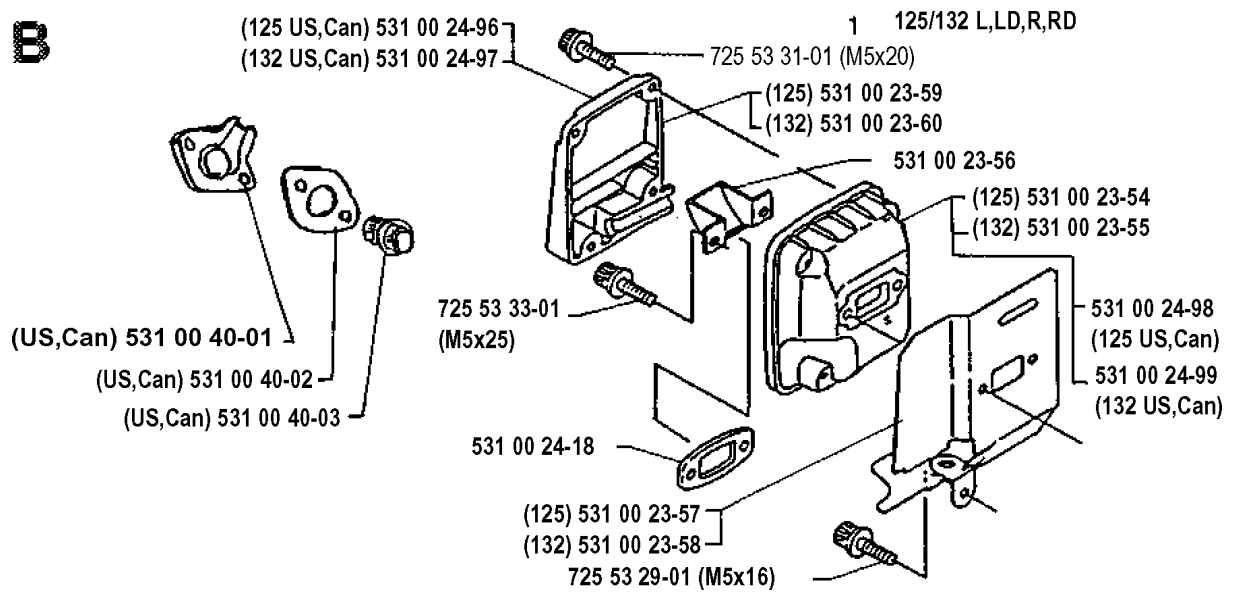


IGNITION SYSTEM

132 L, 1990-11

Part No	Description	Remark	QTY KIT
531 00 23-94	FLYWHEEL		1
531 00 23-95	IGNITION COIL		1
531 00 23-96	CABLE ASSY		1
531 00 23-97	CABLE		1
531 00 23-98	SPARK PLUG CONNECTION		1
531 00 23-99	SPRING		1
531 00 24-01	SLEEVE		1
531 00 24-03	NUT		1
531 00 24-04	SPACER		1
531 00 24-05	CABLE		1
725 52 97-01	SCREW IHSCM	M4X25	1

B



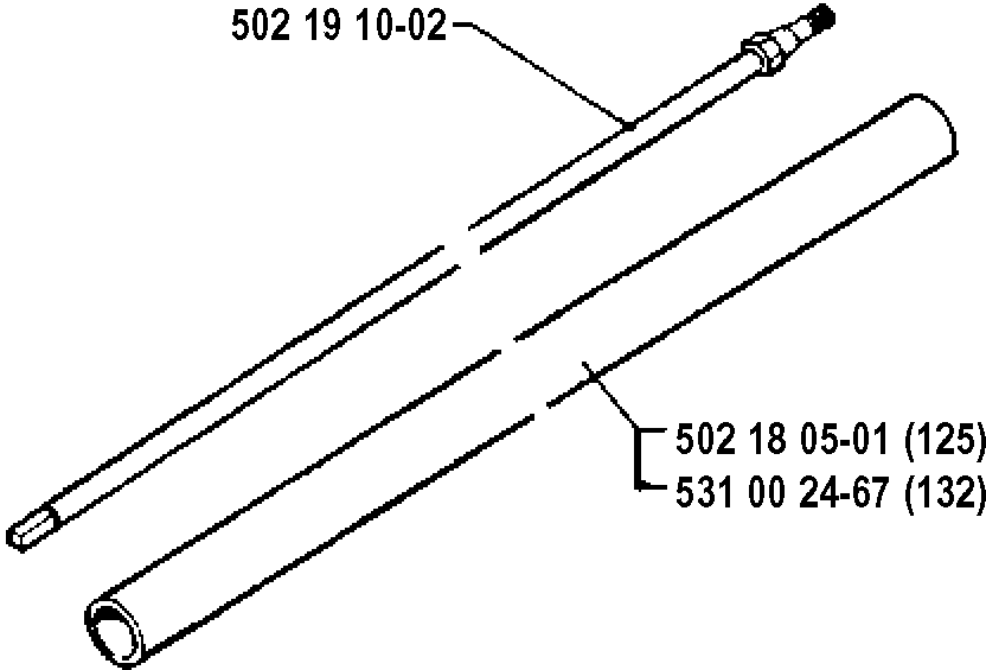
MUFFLER

132 L, 1990-11

Part No	Description	Remark	QTY KIT
531 00 23-54	MUFFLER	125	1
531 00 23-55	MUFFLER	132	1
531 00 23-56	PLATE		1
531 00 23-57	GASKET	125	1
531 00 23-58	GASKET	132	1
531 00 23-59	MUFFLER	125	1
531 00 23-60	MUFFLER	132	1
531 00 24-18	SPACER		1
531 00 24-96	COVER	125 US,CAN	1
531 00 24-97	COVER	132 US,CAN	1
531 00 24-98	MUFFLER	125 US,CAN	1
531 00 24-99	MUFFLER	132 US,CAN	1
531 00 40-01	TUBE	US,CAN	1
531 00 40-02	GASKET	US,CAN	1
531 00 40-03	SPARK ARRESTOR	US,CAN	1
725 53 29-01	SCREW IHSCM	M5X16	1
725 53 31-01	SCREW IHSCM	M5X20	1
725 53 33-01	SCREW IHSCM	M5X25	1

M

R/L

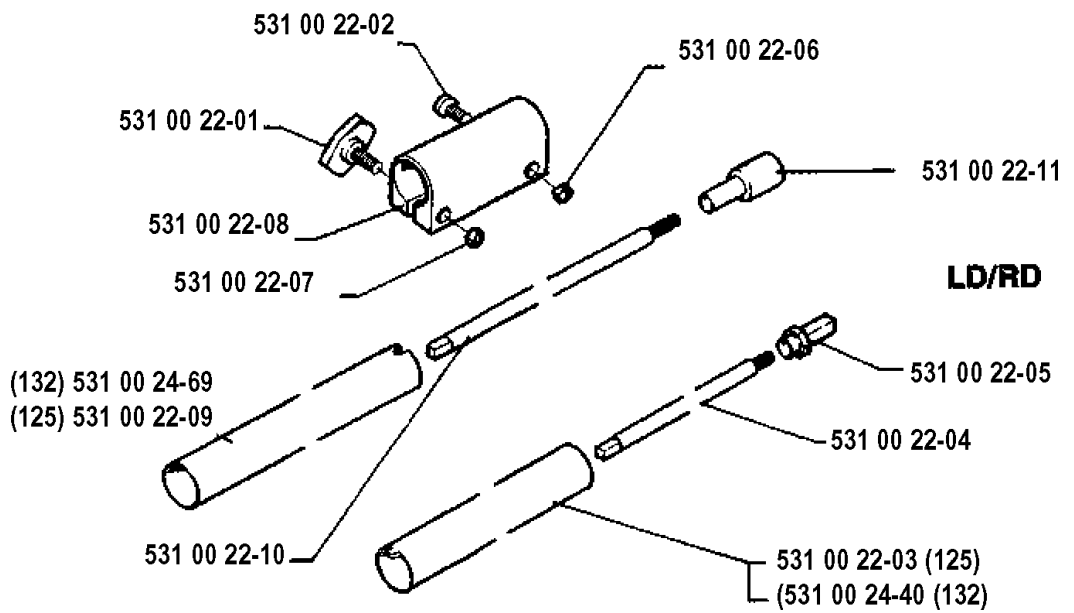


SHAFT

132 L, 1990-11

Part No	Description	Remark	QTY KIT
502 18 05-01	DRIVE TUBE	125	1
502 19 10-02	SHAFT		1
531 00 24-67	TUBE	132	1

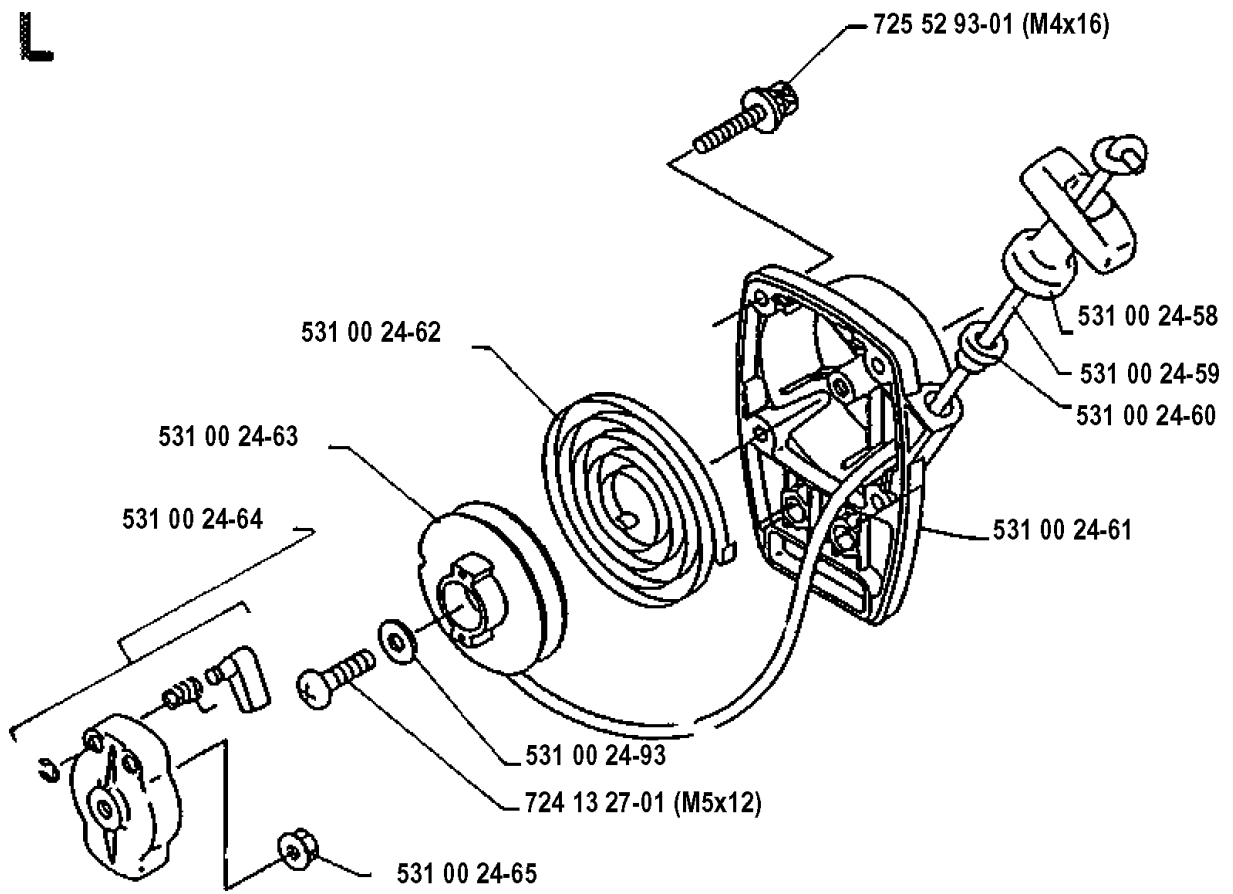
N



SHAFT

132 L, 1990-11

Part No	Description	Remark	QTY KIT
531 00 22-01	HANDLE		1
531 00 22-02	SCREW		1
531 00 22-03	UPPER DRIVE TUBE	125	1
531 00 22-04	DRIVE SHAFT		1
531 00 22-05	ADAPTER		1
531 00 22-06	NUT		1
531 00 22-07	NUT		1
531 00 22-08	COUPLING		1
531 00 22-09	DRIVER	125	1
531 00 22-10	DRIVE SHAFT		1
531 00 22-11	ADAPTER		1
531 00 24-40	THROTTLE VALVE	132	1
531 00 24-69	TUBE	132	1

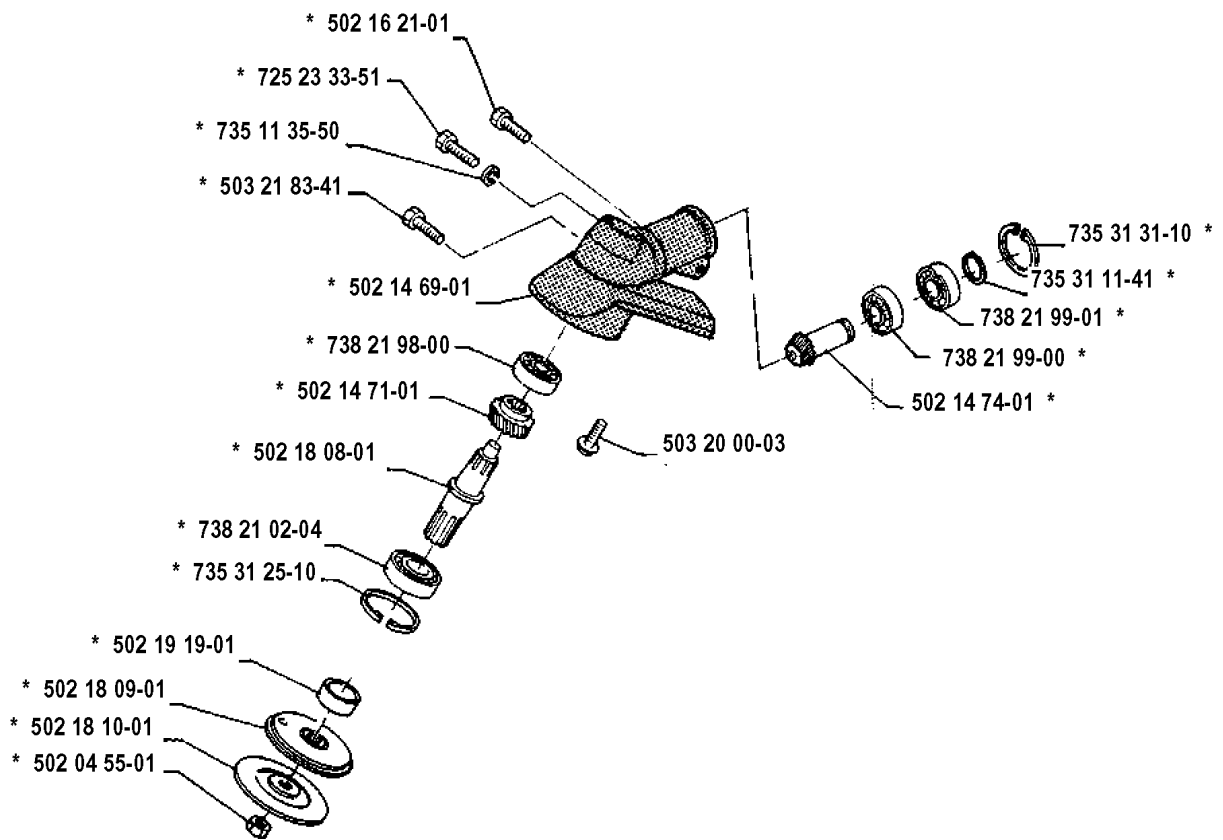


STARTER

132 L, 1990-11

Part No	Description	Remark	QTY KIT
531 00 24-58	HANDLE		1
531 00 24-59	STARTER ROPE		1
531 00 24-60	SLEEVE		1
531 00 24-61	STARTER HOUSING		1
531 00 24-62	SPRING		1
531 00 24-63	STARTER PULLEY		1
531 00 24-64	CARRIER		1
531 00 24-65	NUT		1
531 00 24-93	WASHER		1
724 13 27-01	SCREW CRPANM	M5X12	1
725 52 93-01	SCREW IHSCM	M4X16	1

S



STEERING COLUMN

132 L, 1990-11

Part No	Description	Remark	QTY KIT
502 04 55-01	LOCKING NUT		1
502 14 69-01	GEAR HOUSING		1
502 14 71-01	GEAR WHEEL		1
502 14 74-01	AXLE		1
502 16 21-01	SCREW		1
502 18 08-01	AXIS		1
502 18 09-01	BOSS		1
502 18 10-01	FLANGE		1
502 19 19-01	SPACER		1
503 20 00-03	SCREW EHHFM		1
503 21 83-41	SCREW		1
725 23 33-51	SCREW EHHM		1
735 11 35-50	WASHER		1
735 31 11-41	RETAINER RING		1
735 31 25-10	CIRCLIP		1
735 31 31-10	CIRCLIP		1
738 21 02-04	BALL BEARING		1
738 21 98-00	BALL BEARING		1
738 21 99-00	BALL BEARING		1
738 21 99-01	BALL BEARING		1