

ILLUSTRATED PARTS BREAKDOWN

HUSQVARNA

16 HP 44" YARD TRACTOR

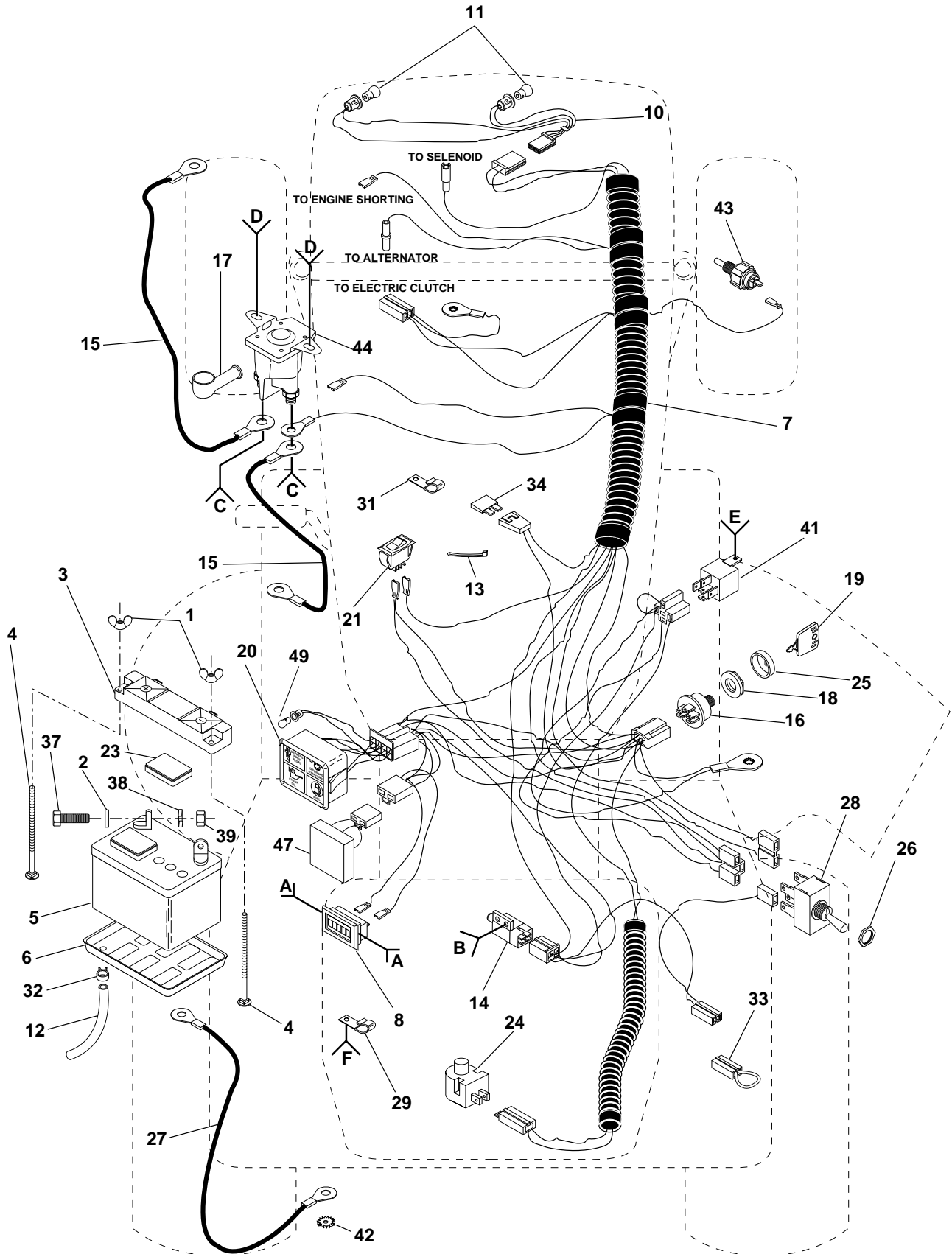
MODEL NO. YT161H (H16H44B)

954 00 02-61

REPAIR PARTS

16 HP 44" RIDING YARD TRACTOR - - MODEL NUMBER YT161H

ELECTRICAL



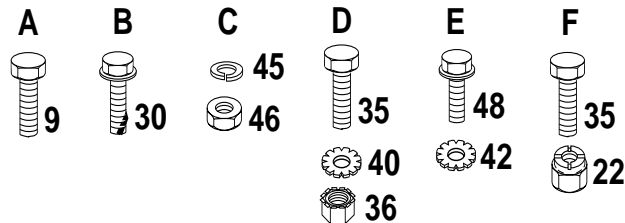
REPAIR PARTS

16 HP 44" RIDING YARD TRACTOR - - MODEL NUMBER YT161H

ELECTRICAL

KEY NO.	PART NO.	DESCRIPTION	KEY NO.	PART NO.	DESCRIPTION
1	532123198	Nut, Wing 1/4-20	30	817021008	Screw, Hex, Tap #10-24 UNC
2	819091016	Washer 9/32 x 5/8 x 16 Gauge	31	532124996	Clip, Line Fuel
3	532102476	Guard, Terminal	32	532109596	Clamp, Hose
4	872240460	Bolt, Carriage 1/4-20 x 7-1/2	33	532102501	Loop, Wire
5	532121537	Battery	34	532108824	Fuse
6	532124886	Tray, Battery	35	874780408	Bolt, Hex 1/4-20 x 1/2 Grade 5
7	532127371	Harness, Ignition (Includes Key #41)	36	873510400	Nut, Hex, Keps 1/4-20
8	532110940	Meter, Hour	37	874760412	Bolt, Hex 1/4-20 x 3/4
9	817011008	Screw #10-24 x 1/2	38	810040400	Washer, Lock 1/4
10	532110859	Harness, Socket Light	39	873220400	Nut, Hex 1/4-20
11	532124893	Bulb, Light	40	811050400	Washer, Lock, External Tooth 1/4
12	532100541	Tube, Tray Battery	41	532109748	Relay
13	532124756	Tie, Cable	42	811050600	Washer, Lock, External Tooth 3/8
14	532109553	Switch, Interlock (Clutch)	43	532126825	Switch, Oil Sensor
15	532124770	Cable, Battery (2)	44	532109081	Solenoid
16	532102972	Switch, Ignition	45	810090400	Washer, Lock 1/4
17	532124783	Cover, Terminal	46	873350400	Nut, Hex, Jam 1/4-20
18	532109788	Nut, Ignition	47	532127385	Sensor, Low Voltage
19	532122147	Key, Molded	48	817190408	Screw, Hex Washer Thrd. Cut 1/4-20 x 1/2
20	532124524	Package, Light	49	110143X	Bulb, Light Package
21	532110712	Switch, Light	—	532101539	Sheet, Instruction, Tractor 15° Slope (English)
22	873680400	Nut, Crownlock 1/4-20	—	532101572	Sheet, Instruction, Tractor 15° Slope (French)
23	532121264	Caps, Battery	—	532123999	Manual, Operator's (English)
24	532121305	Switch, Plunger	—	532124000	Manual, Operator's (French)
25	532109787	Bezel, Ignition	—	532121549	Decal, Battery, Caution
26	532124932	Nut, Hex			
27	532124773	Cable, Battery			
28	532126018	Switch, PTO			
29	532124995	Clip, Insulated			

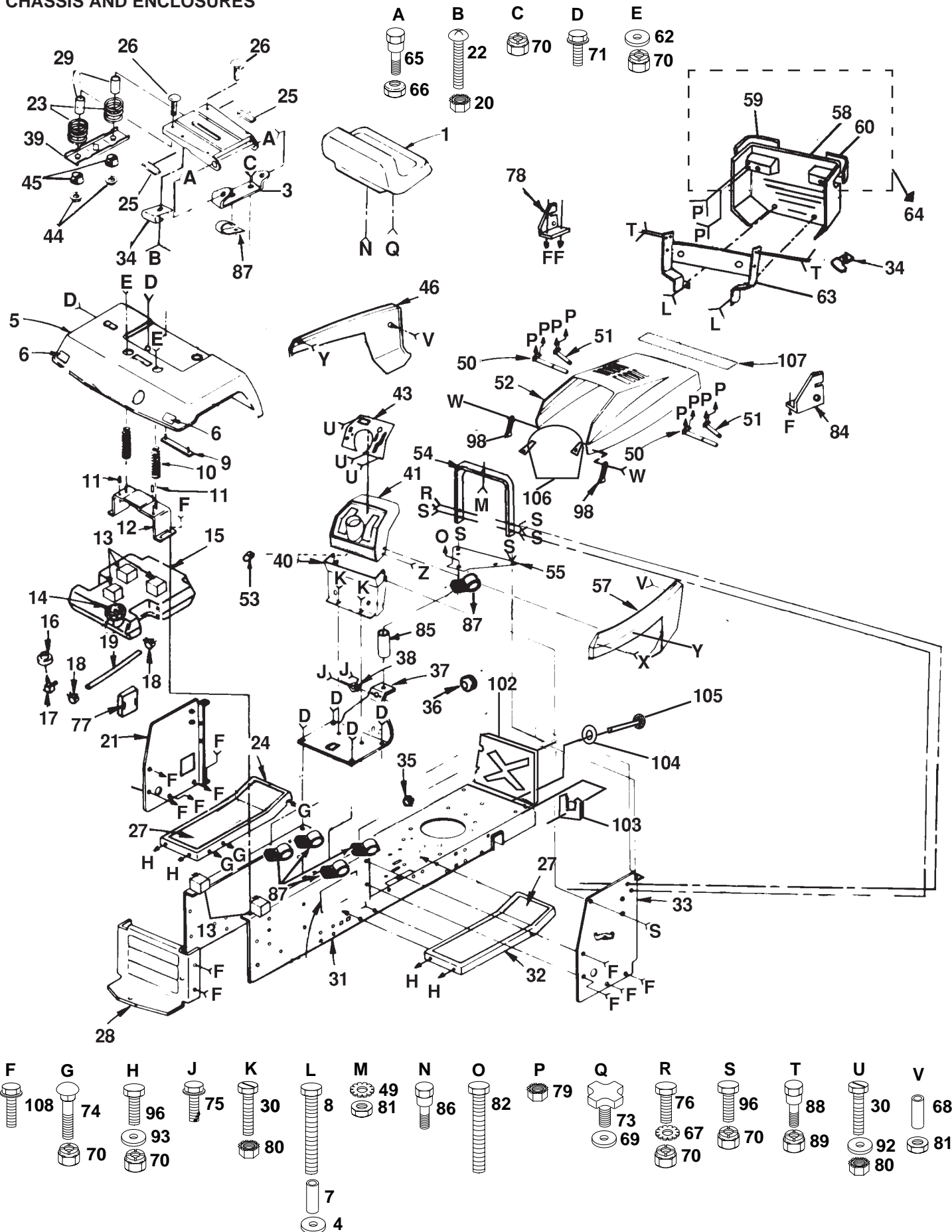
NOTE: All component dimensions given in U.S. inches.
1 inch = 25.4 mm



REPAIR PARTS

16 HP 44" RIDING YARD TRACTOR -- MODEL NUMBER YT161H

CHASSIS AND ENCLOSURES



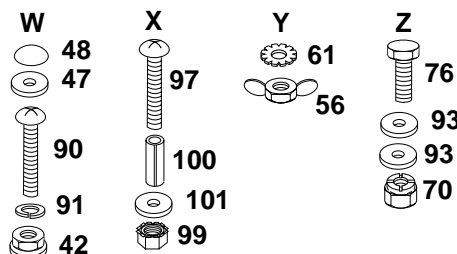
REPAIR PARTS

16 HP 44" RIDING YARD TRACTOR - - MODEL NUMBER YT161H

CHASSIS AND ENCLOSURES

KEY NO.	PART NO.	DESCRIPTION	KEY NO.	PART NO.	DESCRIPTION
1	532124186	Seat	67	811050600	Washer, Lock Tooth External 3/8
2	532124294	Pan, Seat	68	532001260	Spacer
3	532126656	Bracket, Pivot, Seat	69	819171912	Washer 17/32 x 1-3/16 x 12 Gauge
4	819091216	Washer 9/32 x 3/4 x 16 Ga.	70	873680600	Nut, Crownlock 3/8-16
5	532124927	Fender	71	817490608	Screw, Hex Washer Thread Rolling 3/8-16 x 1/2
6	532106202	Reflector, Taillight	73	532120068	Knob, 1/2" Seat
7	532121235	Spacer	74	872140606	Bolt, Carriage 3/8-16 x 3/4
8	874760440	Bolt, Fin, Hex 1/4-20 x 2-1/2	75	817431008	Screw, Hex Self Tapping #10-16 x 1/2
9	532105511	Strap, Fender	76	874760616	Bolt, Hex 3/8-16 x 1
10	532124181	Spring, Compression, Seat	77	532121794	Cover, Access
11	532105531	Nut, Push	78	532110852	Bracket Assembly, L.H.
12	532105509	Bracket, Fender	79	873510400	Nut, Keps, Hex 1/4-20 UNC
13	532006431	Pad, Spacer	80	873510500	Nut, Keps, 5/16-18 UNC
14	532124462	Cap, Fuel	81	873220400	Nut, Fin, Hex 1/4-20 UNC
15	532106020	Tank, Fuel	82	874760532	Bolt, Hex 5/16-18 x 2
16	532124952	Bushing	84	532110853	Bracket, Assembly R.H.
17	532124951	Stem, Tank, Fuel	85	532121236	Spacer
18	532123487	Clamp, Hose	86	532127018	Bolt, Shoulder 5/16-18 x .62
19	532124953	Line, Fuel	87	532124996	Clip
20	873951000	Nut, Keps #10	88	532123481	Bolt, Shoulder 1/4-20
21	532124118	Panel, Dash, L.H.	89	873680400	Nut, Crownlock 1/4-20
22	874641008	Screw, Pan Hd. #10-32	90	874191008	Screw, Pan Hd. Mach. #10-24 x 1/2
23	532123740	Spring, Compression	91	810071000	Washer, Lock #10
24	532124899	Footrest, L.H.	92	819111116	Washer 11/32 x 11/16 x 16 Gauge
25	532121251	Foam, Strip	93	819131312	Washer 13/32 x 13/16 x 12 Gauge
26	872170410	Bolt, Carriage 1/4-20 x 1-1/4	96	874760612	Bolt, Hex 3/8-16 x 3/4
27	532108256	Pad, Footrest	97	874981020	Screw, Mach. Cr. Pan #10-24 x 1-1/4
28	532121306	Drawbar	98	532109808	Latch, Hood
29	532121249	Spacer, Split	99	873731000	Nut, Keps #10-24
30	874180512	Screw, Mach. Cr. Thd. 5/16-18 x 3/4	100	532007206	Spacer, Split #10 x 3/4
31	532127166	Chassis	101	819070818	Washer 7/32 x 1/2 x 18 Gauge
32	532124914	Footrest, R.H.	102	532108105	Shield, Heat
33	532110828	Panel, Dash, R.H.	103	532105839	Receptacle, 1/4 Turn
34	532004171	Clip, Insulated	104	532105838	Retainer, 1/4 Turn
35	532110436	Grommet, Split	105	532123650	Stud, 1/4 Turn
36	532124934	Grommet	106	532126493	Baffle, Vertical
37	532124766	Saddle	107	532105037	Foam, Strip 18"
38	532124720	Bushing, Steering	108	817490612	Screw, Hex Washer, Thread Rolling 3/8-16 x 3/4
39	532121246	Bracket, Switch Mount	—	532124480	Decal, Hood, L.H.
40	532104805	Assembly, Dash, Lower	—	532124481	Decal, Hood, R.H.
41	532124182	Dash	—	532124483	Decal, Grill, Logo
42	532125004	Nut, Weld	—	532127403	Decal, Side Panels
43	532124918	Plate, Dash	—	532124484	Decal, Fender (Fender Rear)
44	532123976	Locknut, Flange Hex, Large	--	532120822	Decal, Caution (Fender Front)
45	532121248	Bushing, Snap	—	532101892	Decal, Clutch/Brake
46	532125009	Panel, Side, L.H.	—	532108813	Decal, Caution (Dash)
47	532110357	Washer, Cap, Snap	—	532121215	Decal, Belt Instr. (Under Footrest)
48	532110356	Cap, Snap			
49	811050400	Washer, Lock, Tooth External 1/4			
50	532106784	Assembly, Strap Hinge, Rear			
51	532104618	Assembly, Strap Hinge, Front			
52	532125007	Hood			
53	532005479	Plug, Button			
54	532124130	Support, Dash			
55	532106965	Plate, Support, Battery			
56	873490400	Nut, Wing			
57	532125008	Panel, Side, R.H.			
58	532127325	Grill			
59	532124250	Lens, L.H.			
60	532124251	Lens, R.H.			
61	811030400	Washer, Lock Tooth Int/External 1/4			
62	819131614	Washer 13/32 x 1 x 14 Gauge			
63	532124574	Support, Grill, Assembly			
64	532127320	Assembly, Grill (Inc. Key 59 & 60)			
65	532105529	Bolt, Shoulder 5/16-18			
66	873680500	Locknut 5/16-18			

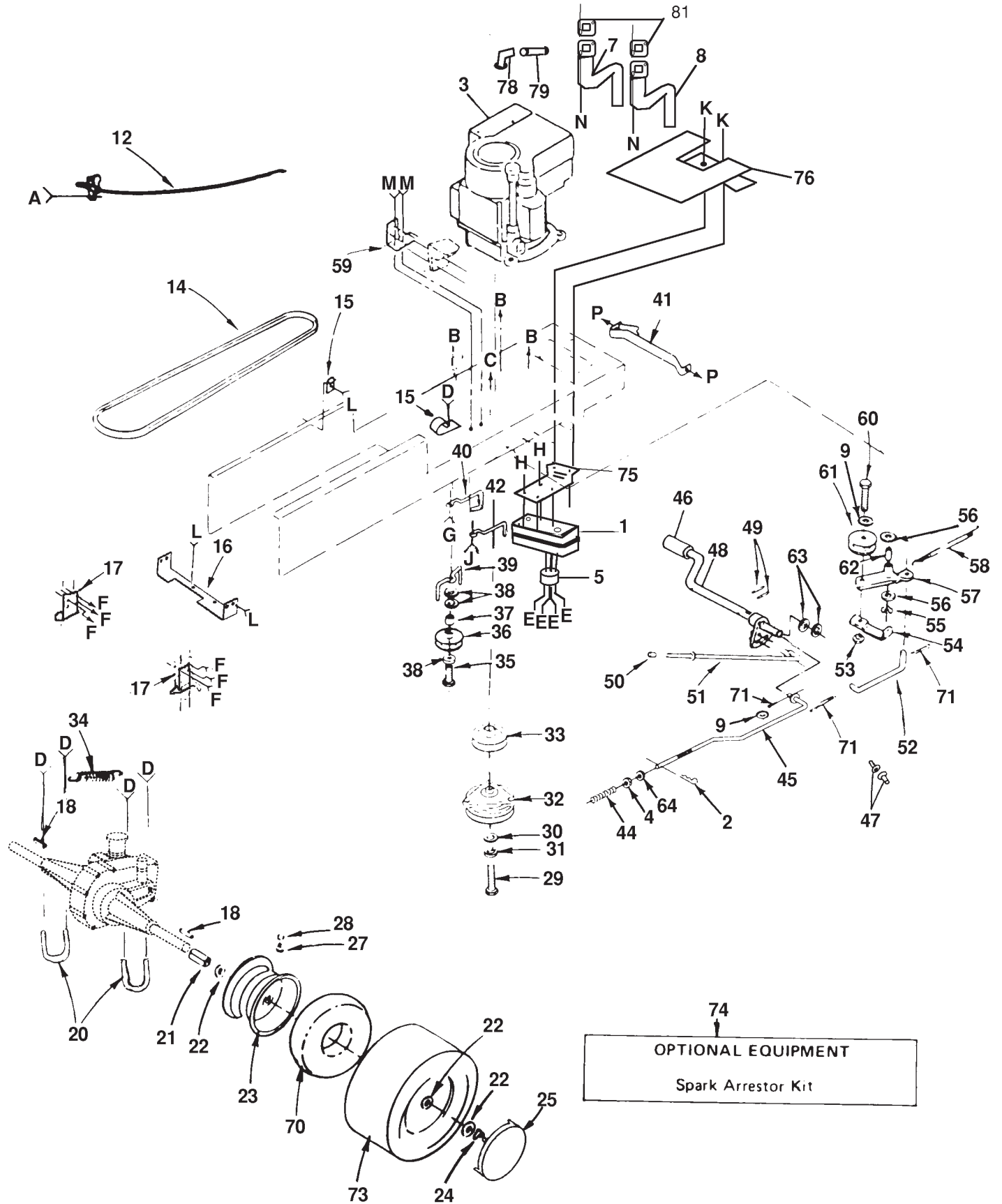
NOTE: All component dimensions given in U.S. inches.
1 inch = 25.4 mm



REPAIR PARTS

16 HP 44" RIDING YARD TRACTOR -- MODEL NUMBER YT161H

DRIVE



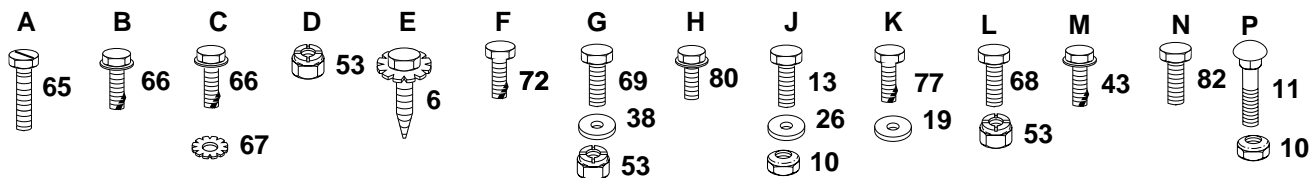
REPAIR PARTS

16 HP 44" RIDING YARD TRACTOR - - MODEL NUMBER YT161H

DRIVE

KEY NO.	PART NO.	DESCRIPTION	KEY NO.	PART NO.	DESCRIPTION
1	532122440	Muffler	48	532122424	Shaft, Foot Pedal, Assembly
2	532124788	Clip, Hairpin	49	532001572	Pin, Roll 3/16 x 1
3	532122436	Engine, 16 HP Vanguard Model #303777 Type 0015-02	50	532124236	Cap, Plunger
4	873350600	Nut, Hex, Jam 3/8 x 16 UNC	51	532125637	Rod, Brake, Park
5	532122436	Deflector	52	532105710	Link, Clutch
6	817450808	Screw, Spider Lock, Hex #8 x 1/2	53	873680600	Nut, Crownlock 3/8-16
7	532122434	Tube Manifold, L.H.	54	532123205	Retainer, Belt
8	532122435	Tube Manifold, R.H.	55	812000039	Ring, Klip
9	819131316	Washer 13/32 x 13/16 x 16 Gauge	56	532110812	Washer, Hardened
10	873680500	Locknut 5/16-18	57	532123789	Arm, Assembly, Idler (Include Key No. 62)
11	872140506	Bolt, Carriage 5/16-18 x 3/4	58	532105709	Spring, Return, Clutch
12	532121527	Control, Throttle/Choke	59	532108236	Bracket, Switch
13	874760516	Bolt, Hex Hd. 5/16-18 x 1	60	874760624	Bolt, Hex 3/8-16 x 1-1/2
14	532123461	V-Belt, Drive	61	532106298	Pulley, Idler
15	532124996	Clip	62	532105706	Bearing
16	532121187	Bracket, Mounting, Hydro T/A	63	819211616	Washer 21/32 x 1 x 16 Gauge
17	532126649	Bracket, Transaxle	64	873800600	Nut
18	532123583	Key, Square 1/4 x 2	65	817720410	Screw, Hex Thread Cut. 1/4-20 x 5/8
19	819131614	Washer 13/32 x 1 x 14 Gauge	66	817490624	Screw, Hex Washer Thread Rolling 3/8-16 x 1-1/2
20	532121189	U-Bolt 3/8-16 x 2.83	67	811050600	Washer, Lock External Tooth 3/8
21	532121199	Spacer, Split	68	874760612	Bolt, Hex 3/8-16 x 3/4
22	532121748	Washer 1-1/32 x 1-5/8 x 16 Gauge	69	874760616	Bolt, Hex 3/8-16 x 1
23	532124723	Rim, Rear	70	532124926	Tube
24	812000001	E-Ring	71	876020412	Pin, Cotter 1/8 x 3/4
25	532124578	Cover, Wheel	72	817490612	Screw, Hex, Thdrol 3/8-16 x 3/4
26	819111212	Washer 11/32 x 3/4 x 12 Gauge	73	532106268	Tire
27	532065139	Stem, Valve	74	532121851	Spark, Arrestor Kit
28	532059192	Cap, Valve	75	532122439	Bracket, Muffler Mounting
29	871130768	Bolt, Hex, Fin 7/16-20 UNF x 4 Grade 8	76	532122981	Shield, Heat
30	532126197	Washer 1-1/2 OD x 15/32 ID x .250	77	817490512	Screw, Hex, Washer Thrdrol 5/16-18 x 3/4
31	810040700	Washer, Lock 7/16	78	813200300	Elbow, STD 90° 3/8-18 NPT
32	532108218	Clutch, Electric	79	813280336	Nipple, Pipe
33	532123795	Pulley, Engine	80	817490408	Screw, Hex, Washer Thrdrol 1/4-20 x 1/2
34	532110422	Spring, Brake Return	81	—	Gasket (Order from Engine Mfg..)
35	874760644	Bolt, Hex 3/8-16 x 2-3/4	82	—	Bolt, Metric (Order from Engine Mfg.)
36	532004859	Idler, Flat	—	532125971	Decal, Air Cleaner, 16 HP, BN58055
37	532004470	Spacer	—	532123161	Decal, Engine Instruction
38	819131312	Washer 13/32 x 13/16 x 12 Gauge			
39	532109070	Retainer, Belt			
40	532121218	Keeper, Belt, Engine, L.H.			
41	532109169	Retainer, Clutch Assembly			
42	532105730	Belt, Keeper, Engine, R.H.			
43	817021008	Screw, Tap. Hex Hd, #10-24 x 1/2 Type T			
44	532106888	Spring, Rod, Brake			
45	532121200	Rod, Brake			
46	532123533	Cover, Pedal			
47	532120183	Bearing, Nylon			

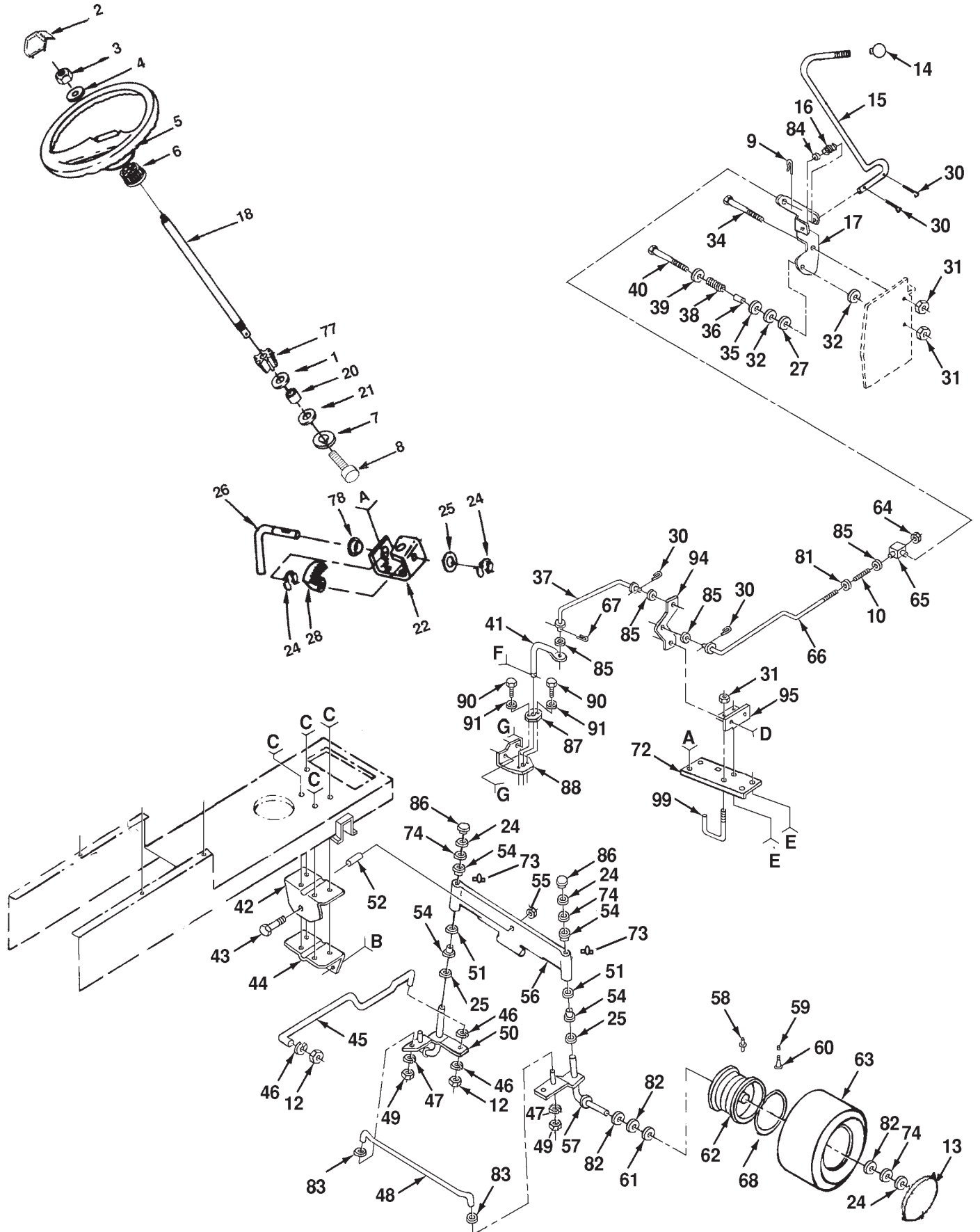
NOTE: All component dimensions given in U.S. inches.
1 inch = 25.4 mm



REPAIR PARTS

16 HP 44" RIDING YARD TRACTOR - - MODEL NUMBER YT161H

STEERING ASSEMBLY



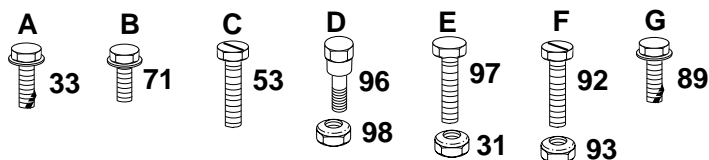
REPAIR PARTS

16 HP 44" RIDING YARD TRACTOR - - MODEL NUMBER YT161H

STEERING ASSEMBLY

KEY NO.	PART NO.	DESCRIPTION	KEY NO.	PART NO.	DESCRIPTION
1	532057079	Washer	53	532122819	Screw, Special 3/8-16 x 3/4
2	532124416	Insert, Steering Wheel	54	532003366	Bearing
3	873940800	Nut, Jam, Toplock 1/2-20	55	873901000	Locknut Flange 5/8-11
4	532100712	Washer	56	532108075	Axle, Front
5	532124415	Wheel, Steering	57	532105654	Spindle, R.H.
6	532100711	Adapter, Steering Wheel	58	532000278	Fitting, Grease
7	810040400	Washer, Lock 1/4	59	532065139	Stem, Valve
8	871070410	Screw, Socket, Hex 1/4-20 x 5/8	60	532059192	Cap, Valve
9	532004921	Spring, Retainer	61	532009040	Bearing
10	532102670	Spring, Compression	62	532124801	Rim, Front
12	873610600	Nut, Hex, Fin 3/8-24 UNF	63	532106222	Tire, Front
13	532124577	Cover, Wheel	64	873800600	Locknut, Hex, w/Wsh. 3/8-16
14	532121274	Knob, Gear Shift	65	532108212	Trunnion
15	532110845	Rod, Control	66	532121750	Rod, Control, Adjustable
16	532121631	Spring, Torsion	67	532124788	Clip, Hairpin
17	532108196	Bracket, Control Rod	68	532059904	Tube, Tire Front
18	532124043	Shaft, Steering	71	817490508	Screw, Hex Washer Thread Rolling 5/16-18 x 1/2
20	532124035	Support, Shaft	72	532123186	Bracket, Chassis, Reinforcement, Hydro
21	532126684	Washer, Shim 1/4 x 5/8 x .062	73	532124836	Fitting, Grease
22	532124036	Bracket, Steering	74	532121748	Washer 25/32 x 1-5/8 x 16 Gauge
24	812000029	Ring, Klip	77	532124037	Gear, Pinion
25	532124931	Bearing, Thrust	78	532109816	Nyliner, Snap-In
26	532124033	Shaft, Pitman	81	819131212	Washer 13/32 x 3/4 x 12 Gauge
27	532108972	Washer, Phenolic	82	532121749	Washer 25/32 x 1-1/4 x 16 Gauge
28	532124034	Gear, Sector	83	819111216	Washer 11/32 x 3/4 x 16 Gauge
30	876020412	Pin, Cotter 1/8 x 3/4	84	819151516	Washer 15/32 x 15/16 x 16 Gauge
31	873680600	Locknut 3/8-16	85	532110739	Washer, Spring
32	532108200	Washer, Friction	86	532121232	Cap, Spindle
33	817490612	Screw, Hex Washer Thread Rolling 3/8-16 x 3/4	87	532121217	Guide, Control
34	532108518	Bolt, Hex Shoulder 3/8-16 x 1-3/8	88	532121216	Bracket, Control Guide
35	819212016	Washer 21/32 x 1-1/4 x 16 Gauge	89	817490512	Screw, Hex Washer Thread Rolling 5/16-18 x 3/4 Type TT
36	532108201	Spacer	90	817021008	Screw, Tap Hex Hd. #10-24 UNC x 1/2 Type T
37	532121202	Link, Control, Pump	91	819070816	Washer 7/32 x 1/2 x 16 Gauge
38	532108844	Spring, Compression	92	874561014	Screw, Hex Socket Hd. #10-24 UNC
39	819132012	Washer 13/32 x 1-1/4 x 12 Gauge	93	532069180	Locknut #10-24 UNC
40	874760648	Bolt, Hex 3/8-16 x 3	94	532121204	Bellcrank
41	532121209	Lever, Pump Control	95	532121206	Bracket, Bellcrank, Pivot
42	532105663	Support, Saddle, Rear	96	532100536	Bolt, Shoulder
43	874761060	Bolt, Hex 5/8-11 x 3-3/4	97	874760616	Bolt, Hex, Fin 3/8-16 UNC x 1
44	532105664	Support, Saddle, Front	98	873680500	Locknut 5/16-18
45	532124032	Link, Drag	99	532121190	Keeper, Centerspan
46	810040600	Washer, Lock 3/8			
47	810040500	Washer, Lock 5/16			
48	532121334	Rod, Tie			
49	873810500	Nut, Hex 5/16-24 UNF			
50	532105656	Spindle, L.H.			
51	819272016	Washer 27/32 x 1-1/4 x 16 Gauge			
52	532110438	Spacer, Bearing			

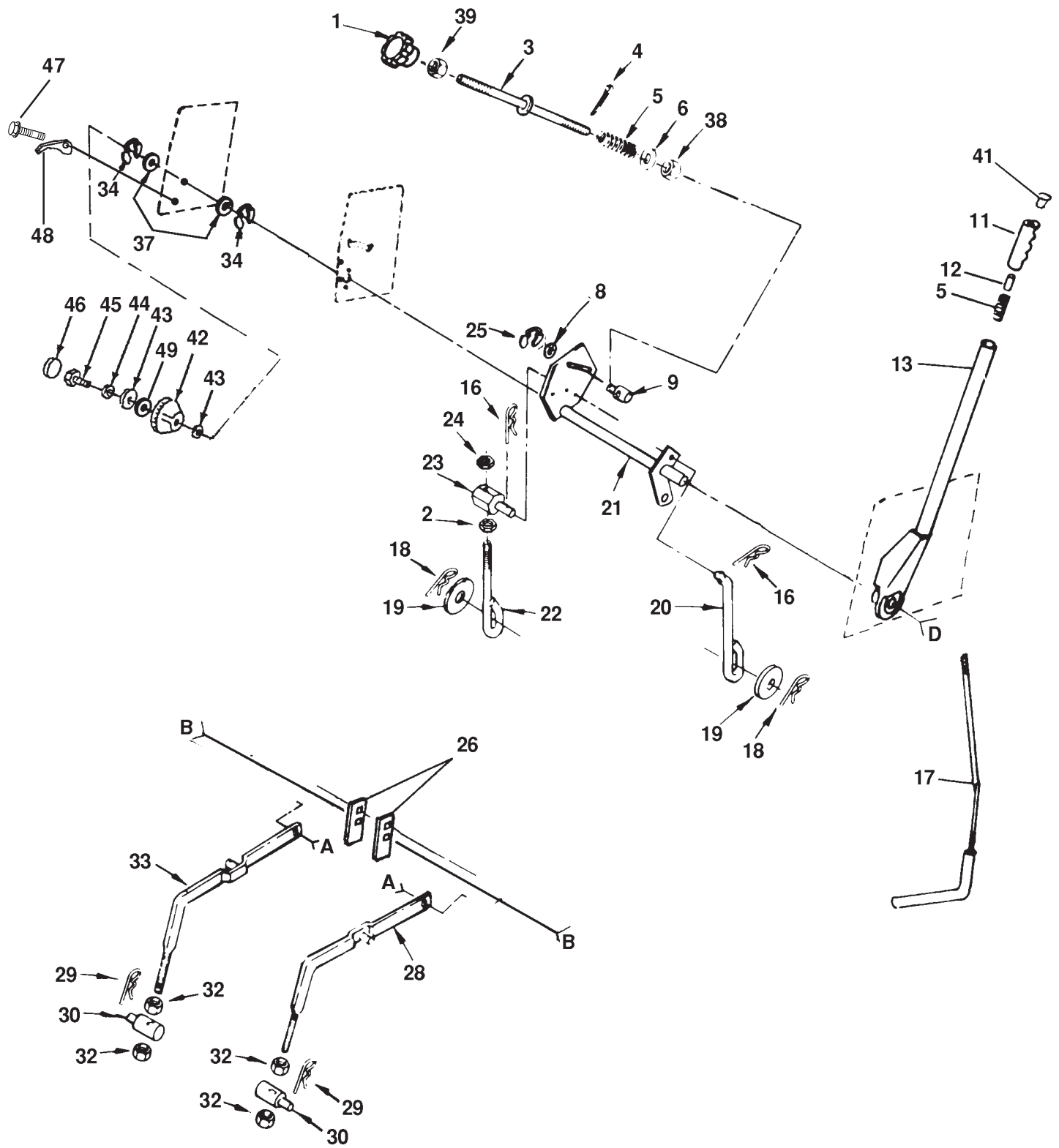
NOTE: All component dimensions given in U.S. inches.
1 inch = 25.4 mm



REPAIR PARTS

16 HP 44" RIDING YARD TRACTOR -- MODEL NUMBER YT161H

LIFT ADJUSTMENT



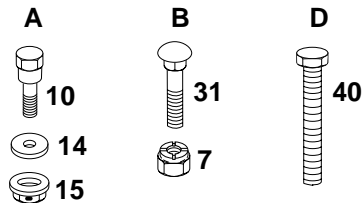
REPAIR PARTS

16 HP 44" RIDING YARD TRACTOR - - MODEL NUMBER YT161H

LIFT ADJUSTMENT

KEY NO.	PART NO.	DESCRIPTION	KEY NO.	PART NO.	DESCRIPTION
1	532121891	Handle, Lift, Adjustment	28	532121598	Arm, Suspension, R.H.
2	873360700	Nut, Hex 3/8-16	29	532009135	Retainer, Spring
3	532110729	Rod, Adjust, Lift	30	532106308	Trunnion, Lift, Lower
4	876020308	Pin, Cotter 3/32 x 1/2	31	872140608	Bolt, Carriage 3/8-16 UNC x 1
5	532124874	Spring	32	873220800	Nut, Hex, Fin. 1/2-13
6	819131016	Washer 13/32 x 5/8 x 16 Gauge	33	532121599	Arm, Suspension, L.H.
7	873680600	Nut, Crownlock 3/8-16	34	812000022	E-Ring, Truarc
8	819151216	Washer 15/32 x 3/4 x 16 Gauge	37	819292016	Washer 29/32 x 1-1/4 x 16 Gauge
9	532110810	Trunnion, Depth Stop	38	532110807	Nut, Special
10	532105848	Bolt, Shoulder 3/8-16	39	873350600	Nut, Hex, Jam 3/8 x 16 UNC
11	532109413	Grip, Handle	40	874780624	Bolt, Hex 3/8-16 x 1-1/2
12	532122364	Plunger, Lever, Lift	41	532124526	Button, Plunger
13	532121002	Lever, Lift	42	532123934	Scale, Height, Indicator
14	532110739	Spring, Washer	43	819112410	Washer 11/32 x 1-1/2 x 10 Gauge
15	873980600	Nut, Center, Lock, Flange 3/8 x 16	44	810040500	Washer, Lock, Heavy, Helical, Spring
16	532124670	Retainer, Spring	45	874780516	Bolt, Hex, Fin. 5/16-18 UNC x 1
17	532121006	Rod, Lever	46	532123935	Plug, Hole
18	532004921	Retainer, Spring	47	817490612	Bolt
19	819171516	Washer 17/32 x 15/16 x 16 Gauge	48	532124763	Pointer, Height Indicator
20	532110029	Link, Lift	49	532120529	Washer, Nylon
21	532124516	Shaft, Lift, Assembly			
22	532110448	Link, Lift, Adjust			
23	532110447	Trunnion, Lift			
24	873710700	Locknut 7/16-14			
25	812000037	Ring, Klip			
26	532121252	Upstop, Mower			

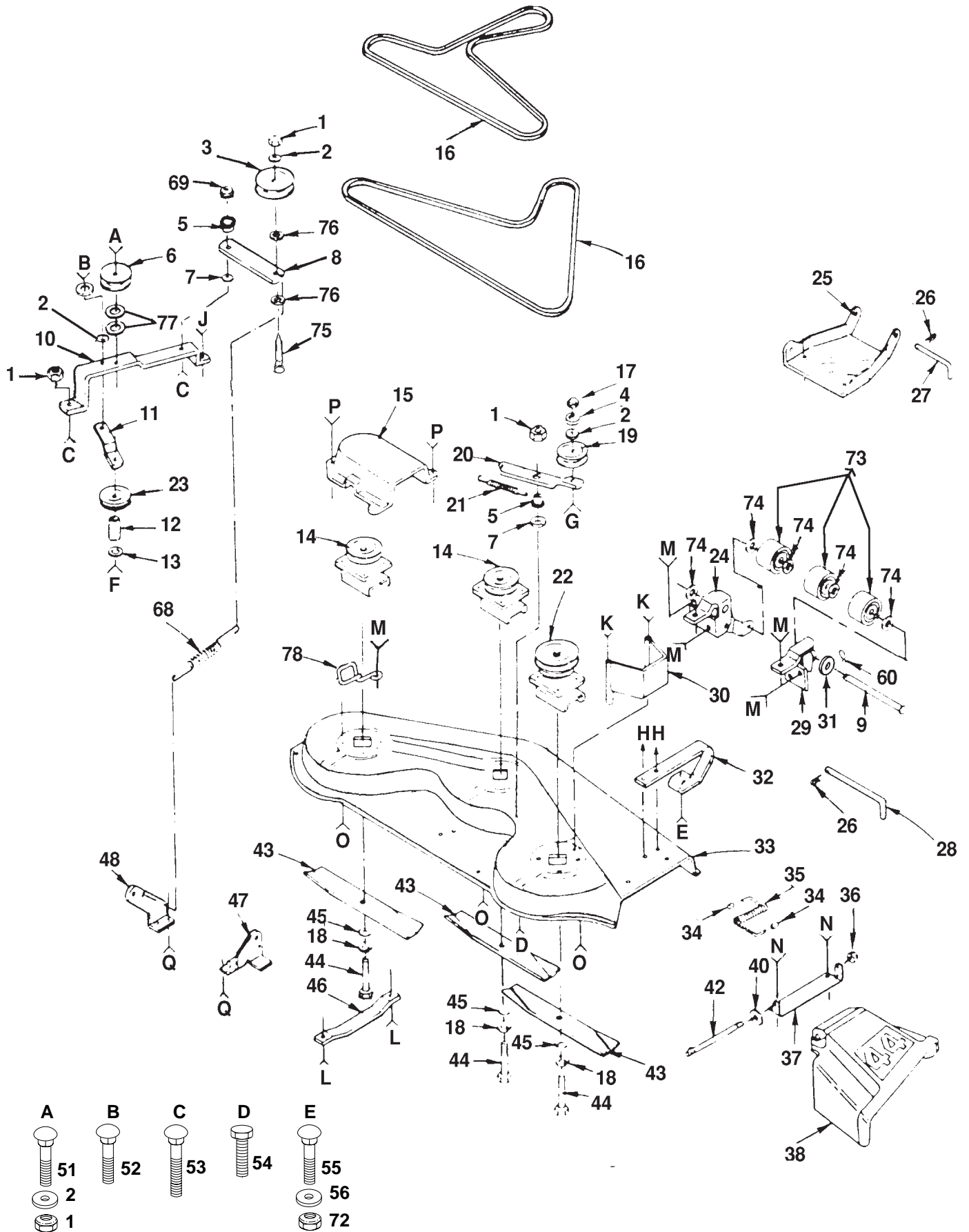
NOTE: All component dimensions given in U.S. inches.
1 inch = 25.4 mm



REPAIR PARTS

16 HP 44" RIDING YARD TRACTOR -- MODEL NUMBER YT161H

MOWER



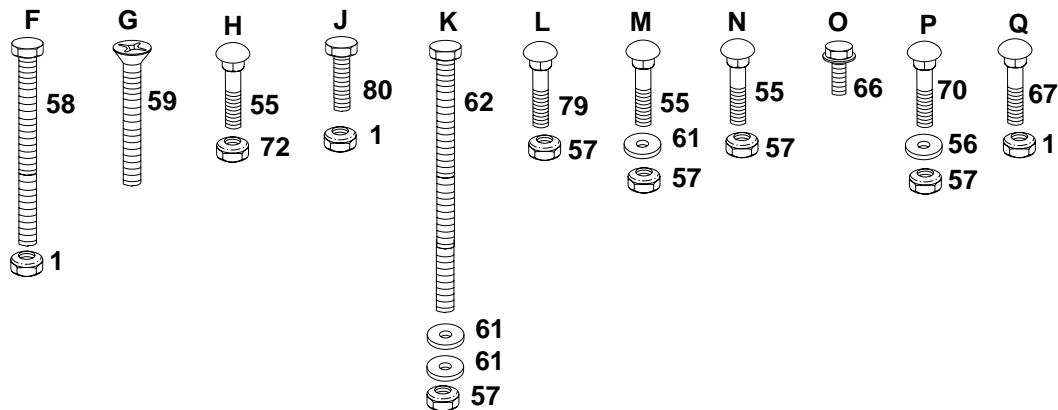
REPAIR PARTS

16 HP 44" RIDING YARD TRACTOR - - MODEL NUMBER YT161H

MOWER

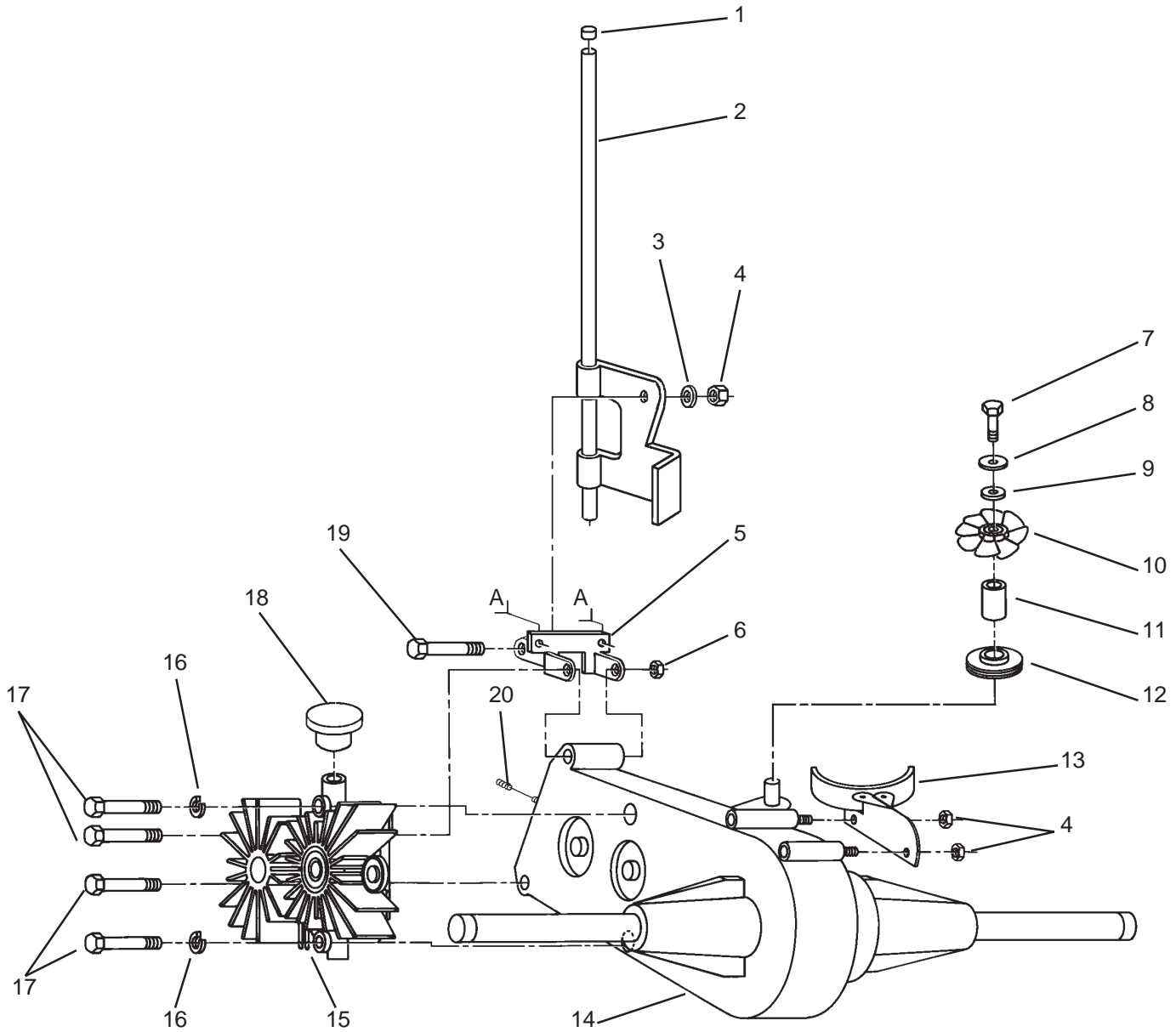
KEY NO.	PART NO.	DESCRIPTION	KEY NO.	PART NO.	DESCRIPTION
1	873680600	Locknut 3/8-16	42	532106735	Rod, Hinge
2	819131614	Washer 13/32 x 1 x 14 Gauge	43	532106635	Blade, Mower
3	532121316	Pulley, Idler	44	874610624	Bolt, Hex 3/8-24 x 1-1/2 Grade 5
4	810040600	Washer, Lock 3/8	45	819132012	Washer 13/32 x 1-1/4 x 12 Gauge
5	532106902	Spacer	46	532125074	Runner, L.H.
6	532124858	Pulley, Idler	47	532123807	Bracket, Suspension, Rear, R.H.
7	532106513	Washer, Wear	48	532123808	Bracket, Suspension, Rear, L.H.
8	532121425	Arm, Idler	51	872140614	Bolt, Carriage 3/8-16 x 1-3/4
9	532109776	Pin, Pivot	52	872140608	Bolt, Carriage 3/8-16 x 1
10	532106523	Bar, Support, Idler	53	872140612	Bolt, Carriage 3/8-16 x 1-1/2
11	532106522	Brace, Idler, Deck	54	874760620	Bolt, Hex 3/8-16 x 1-1/4
12	532121236	Spacer	55	872140506	Bolt, Carriage 5/16-18 x 3/4
13	819131316	Washer 13/32 x 13/16 x 16 Gauge	56	819111116	Washer 11/32 x 11/16 x 16 Gauge
14	532121658	Mandrel, Secondary	57	873680500	Locknut 5/16-18
15	532106214	Guard	58	874760648	Bolt, Hex 3/8-16 x 3
16	532106085	V-Belt	59	874110632	Screw, Flat Head 3/8-16 x 2
17	873220600	Nut, Hex 3/8-16	60	876020412	Pin, Cotter
18	810030600	Washer, Lock 3/8	61	819111216	Washer 11/32 x 3/4 x 16 Gauge
19	532102932	Idler, Flat	62	874760580	Bolt, Hex 5/16-18 x 5
20	532106526	Arm, Idler, Deck	66	817490612	Screw, Hex Washer Thread Rolling 3/8-16 x 3/4
21	532124885	Spring, Extension	67	872140606	Bolt, Carriage 3/8-16 x 3/4
22	532121705	Mandrel, Primary	68	532102727	Spring, Extension
23	532102403	Pulley, Idler	69	873930600	Nut, Centerlock 3/8-16
24	532109599	Bracket, Lift, L.H.	70	872110506	Bolt, Carriage 5/16-18 x 3/4
25	532105662	Link, Parallel	72	532124949	Locknut 5/16-18
26	532004921	Retainer, Spring	73	532109729	Roller, Nose
27	532105744	Pin, Front Hinge	74	819151610	Washer 15/32 x 1 x 10 Gauge
28	532109835	Pin, Rear Hinge	75	872140620	Bolt, Carriage 3/8-16 x 2-1/2
29	532109600	Bracket, Lift, L.H.	76	819131210	Washer 13/32 x 3/4 x 10 Gauge
30	532108119	Guard, Belt, R.H.	77	819131410	Washer 13/32 x 7/8 x 10 Gauge
31	819151616	Washer 15/32 x 1 x 16 Gauge	78	532121352	Keeper, L.H., Mandrel
32	532124950	Runner, R.H.	79	872110505	Bolt, Carriage 5/16-18 x 5/8
33	532121423	Housing, Mower	80	874760616	Bolt, Hex, Fin 3/8-16 x 1
34	532105304	Cap, Sleeve	—	532121826	Mower Deck, Complete
35	532106734	Spring	—	532108592	Decal, Belt Instruction
36	532110452	Nut, Push	—	532105185	Decal, Caution (Rotating Blades)
37	532109743	Bracket, Deflector	—	532121349	Decal, Danger (Cut Fingers)
38	532109785	Guard, Discharge			
40	819111016	Washer 11/32 x 5/8 x 16 Gauge			

NOTE: All component dimensions given in U.S. inches.
1 inch = 25.4 mm



REPAIR PARTS

16 HP 44" RIDING YARD TRACTOR - - MODEL NUMBER YT161H TRANSAXLE AND PUMP ASSEMBLY



KEY PART NO. NO.

DESCRIPTION

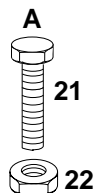
1	532124236	Cap, Plunger
2	532123634	Rod, Free Wheel Control Assembly
3	532120529	Washer, Nylon
4	873680400	Nut, Crownlock 1/4 - 20 UNC
5	532121188	Bracket, Painted, Mounting, Differential
6	873680500	Nut, Crownlock 5/16 - 18
7	874780412	Bolt, Hex 1/4 - 20 UNC x 3/4
8	810040400	Washer
9	819092016	Washer 9/32 x 1-1/4 x 16 Gauge
10	532121186	Fan, Hydro, 8"
11	532121211	Standoff, Fan, Hydro
12	532121180	Pulley, Transaxle
13	532121182	Guard Assembly, Belt
14	532121431	Differential Assembly

KEY PART NO. NO.

DESCRIPTION

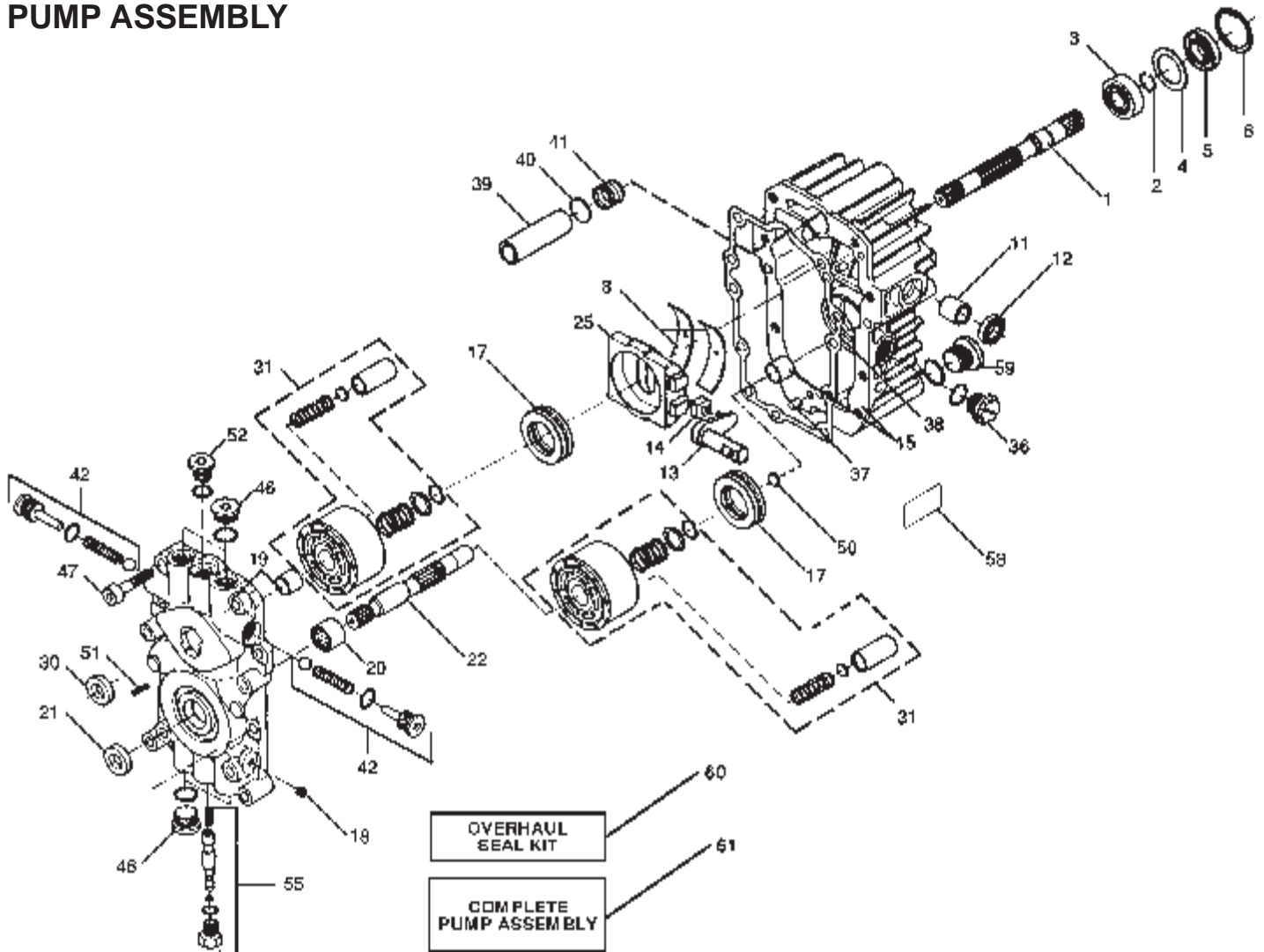
15	532121430	Pump Assembly
16	810040500	Washer Lock
17	874760572	Bolt, Hex Fin. 5/16 - 18 UNC x 4 1/2
18	532121323	Reservoir, Pump
19	532124815	Bolt, Shoulder 1/4 - 20 UNC
20	532121250	Spring, Compression
21	874760612	Bolt 3/8 - 16 x 3/4
22	873680600	Nut 3/8 - 16 UNC

NOTE: All component dimensions given in U.S. inches
1 inch = 25.4 mm



REPAIR PARTS

16 HP 44" RIDING YARD TRACTOR - - MODEL NUMBER YT161H PUMP ASSEMBLY



KEY NO.	PART NO.	DESCRIPTION
---------	----------	-------------

1	532122756	Shaft, Pump
2	532122716	* Ring, Retaining
3	532122745	Bearing, Ball
4	532122715	* Spacer
5	532122700	* Seal, Lip
6	532122699	* Ring, Retaining
8	532122767	Bearing, Cradle
11	532122747	Bearing, Journal
12	532122717	* Seal, Lip
13	532122748	Arm, Trunnion
14	532122749	Guide, Slot
15	532127146	Housing Kit, Transmission
17	532122770	Bearing, Thrust Ball
18	532122771	Plug, Pipe
19	532127147	Center Section Kit
20	532122773	Bearing, Needle
21	532122722	* Seal, Lip
22	532122750	Shaft, Motor
25	532127148	Swashplate, Variable
30	532122723	* Seal, Lip
31	532127149	Block Kit, Cylinder (PUMP)

36	532127151	Plug, Plastic
37	532122786	Pin, St. Hdls.

KEY NO.	PART NO.	DESCRIPTION
---------	----------	-------------

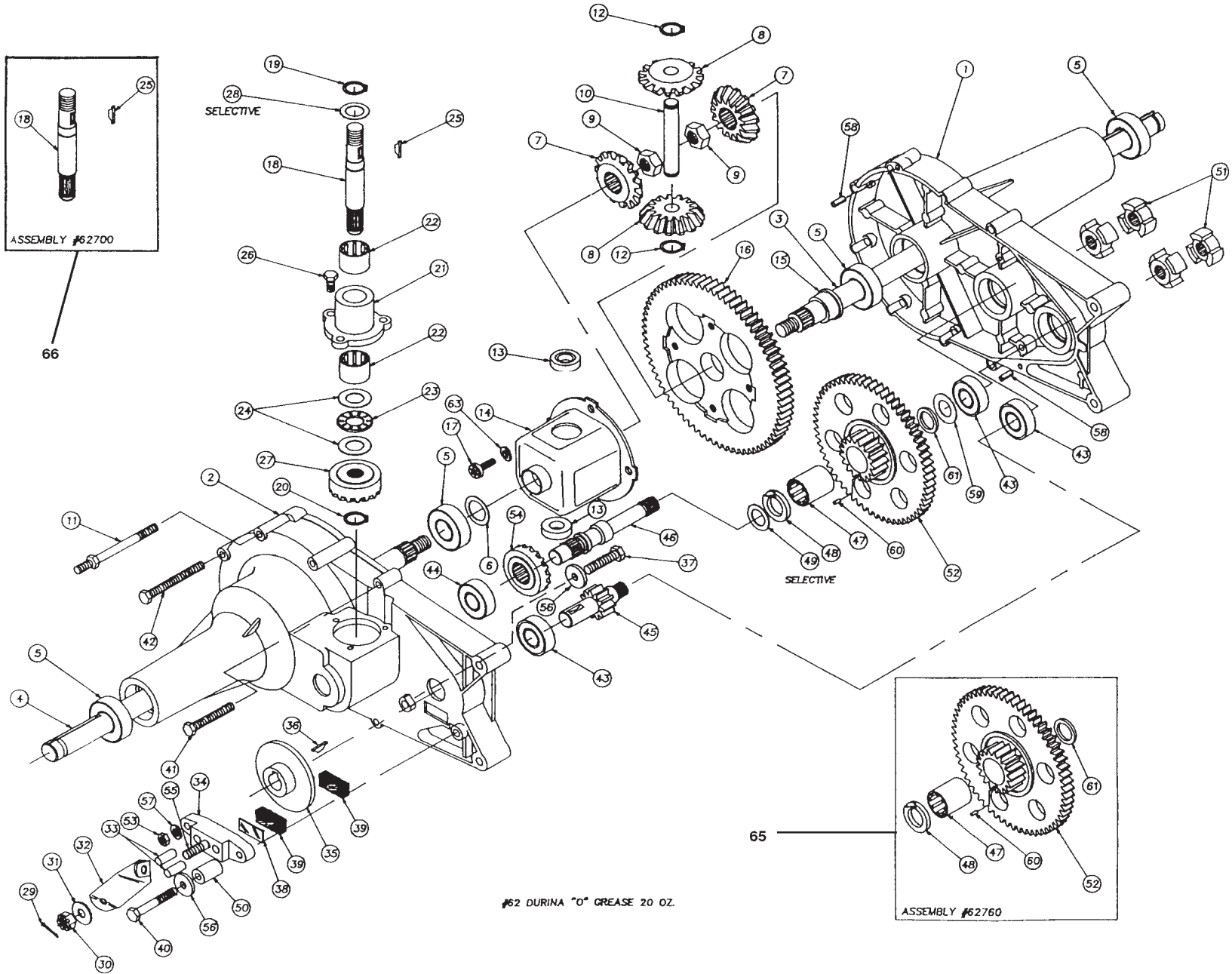
38	532122718	* Gasket, Center Section
39	532122731	Filter
40	532122730	Washer, Thrust
41	532122728	Spring, Helical Compression
42	532127152	Check Valve Kit
46	532122787	Plug, St. Thd.
47	532122752	Screw Socket Head Cap
50	532122788	Washer, Thrust
51	532122789	Pin, Spiral
52	532122754	Plug, St. Thd.
55	532127153	Bypass Valve Kit
58	532122727	Adhesive Label, Bar Coded
59	532122790	Plug, St. Thd.
60	532127154	Overhaul Seal Kit, BDU-10 Includes: items marked with * and O-Rings for Check Valves and Bypass Valve
61	532121430	Complete Pump Assembly

* STANDARD HARDWARE - PURCHASE LOCALLY

NOTE: All component dimensions given in U.S. inches
1 inch = 25.4 mm

REPAIR PARTS

16 HP 44" RIDING YARD TRACTOR - - MODEL NUMBER YT161H
AGRI-FAB TRANSAXLE MODEL NUMBER 121431X



REPAIR PARTS

16 HP 44" RIDING YARD TRACTOR - - MODEL NUMBER YT161H AGRI-FAB TRANSAXLE MODEL NUMBER 121431X

KEY PART NO. NO.	DESCRIPTION	KEY PART NO. NO.	DESCRIPTION		
1	532122614	Housing, Half L.H.	36	532123065	Key, Hi-Pro 3/16 x 5/8"
2	532122615	Housing, Half R.H.	37	532122666	Screw, Hex 1/4-20 x 1.50
3	532122616	Axle L.H.	38	532122667	Plate, Puck
4	532122620	Axle R.H.	39	532122668	Puck, Brake
5	532122621	Bearing, Ball	40	532123066	Screw, Hex W/Patch 1/4-20 x 2.00
6	532122622	Washer, Flat 3/4 x 1-1/8 x .030	41	532122670	Screw, Hex Self-Tap 1/4-20 x 2.00
7	532122623	Gear, Miter	42	532122671	Screw, Hex Self-Tap 1/4-20 x 3.00
8	532122624	Gear, Miter	43	532126982	Bearing, Ball
9	532122625	Nut, Hex Jam W/Patch 1/2-20	44	532122673	Bearing, Ball
10	532122626	Shaft, Cross	45	532122674	Shaft, Pinion W/11 Tooth Gear
11	532122688	Screw, Stud	46	532122675	Shaft, Drive
12	532122629	Snap, Ring	47	532123059	Bearing, Needle
13	532122631	Bearing, Thrust	48	532123060	Bronze Thrust Brg. 5/8 x 1-1/4 x 7/64
14	532122633	Housing Assembly, Differential	49	532122654	Washer, Flat .62 x 1.0 x .040
15	532122634	Bearing, Flange	---	532123061	Washer, Flat .62 x 1.0 x .050
16	532122640	Gear, Differential 72 Tooth	50	532122689	Spacer
17	532122641	Bolt, Torx Head 1/4-28 x 5/8"	51	532121839	Coupling
18	532122642	Shaft, Input	52	532126975	Gear, 60 and 17 Tooth
19	532122643	Snap, Ring	53	532122682	Nut, Hex 1/4-20
20	532122644	Retaining Ring 7/16"	54	532122683	Gear, Drive Pinion 17 Tooth
21	532122645	Housing, Input Bearing	55	532122684	Bolt, Square Head
22	532122646	Bearing, Needle	56	532122685	Washer 15/16 x .265 x .125
23	532122647	Bearing, Thrust	57	532122686	Washer 1/4" Spring Lock
24	532122648	Washer, Flat 5/8 x 1-1/8 x .030	58	532122687	Pin, Roll 3/16" x 1/2"
25	532122649	Key, Hi-Pro 3/32 x 5/8	59	532122652	Washer, Flat .62 x 1.0 x .030
26	532122650	Screw, Hex W/Patch 1/4-20 x 3/4	60	532123062	Pin, Dowel 3/32 x 1/4
27	532122651	Gear, Input Pinion 17 Tooth	61	532123063	Seal, Grease
28	532123061	Washer, Flat .62 x 1 x .05	62	532126976	Shell, Durina-O Grease (20oz.)
---	532122678	Washer, Flat .62 x 1.125 x .060	63	532126977	Washer, Head Spring Lock 1/4"
---	532122654	Washer, Flat .62 x 1 x .040	65	532126980	Assembly, Gear, Reduction
29	532122656	Pin, Cotter	66	532126981	Assembly, Shaft, Input
30	532122658	Nut, Castle 5/16-24	---	532121431	Transaxle Assembly Complete
31	532122659	Washer, Flat .343 x .88 x .062			
32	532122660	Arm, Brake Actuator			
33	532122662	Pin, Brake Actuating			
34	532122663	Brake, Yoke			
35	532122664	Disc, Brake			

NOTE: All component dimensions given in U.S. inches
1 inch = 25.4 mm