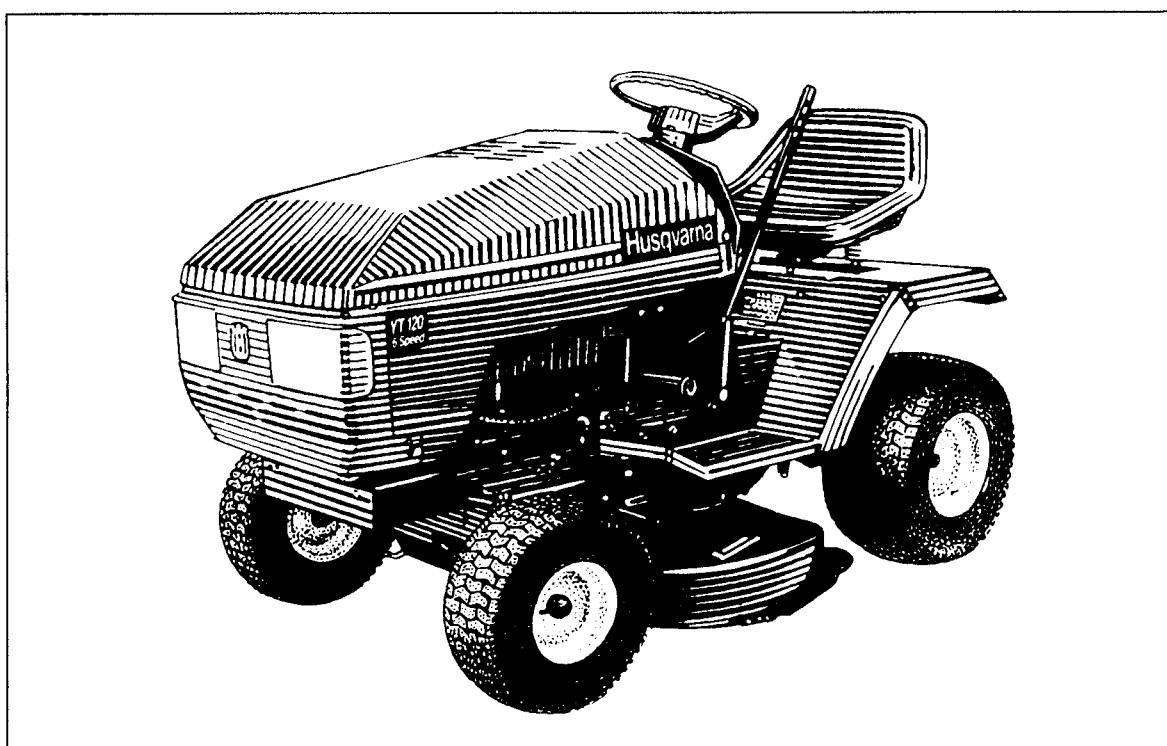


YT120



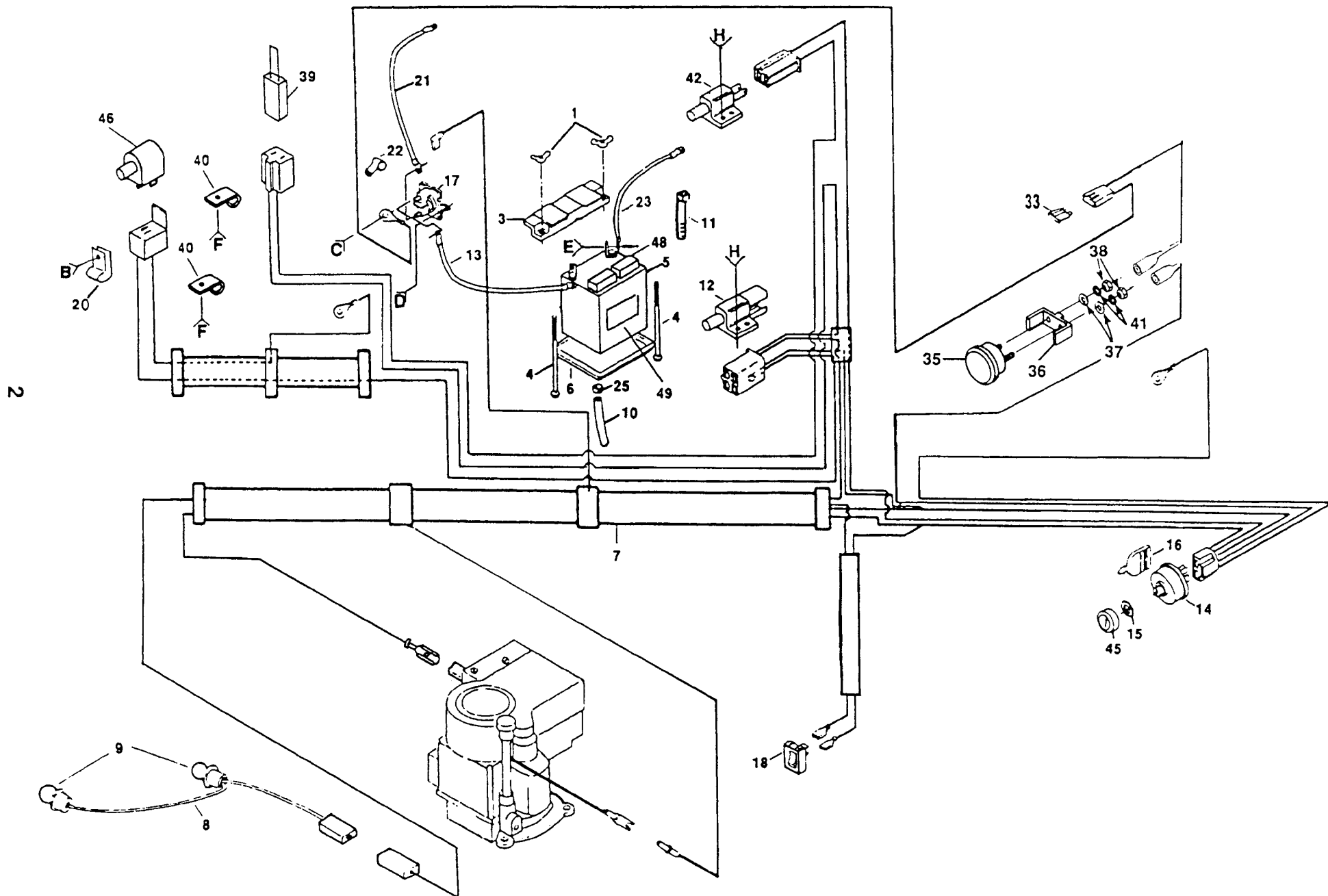
1. 1990

Spare parts
Pièces détachées

REPAIR PARTS

YARD TRACTOR

ELECTRICAL



REPAIR PARTS

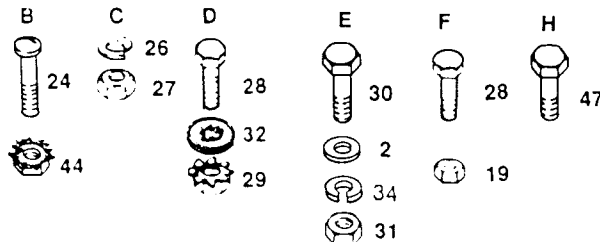
ELECTRICAL

YARD TRACTOR

3

KEY NO.	PART NO.	DESCRIPTION
1	532123198	Wing Nut 1/4 - 20
2	819091016	Washer 9/32 x 5/8 x 16 Ga.
3	532102476	Terminal Guard
4	872240460	Carriage Bolt 1/4 - 20 x 7-1/2
5	532121265	Battery 12V. (Shipped Dry, Purchase Battery Acid Locally)
6	532124886	Battery Tray
7	532125913	Ignition Harness
8	532110859	Harness, Light Socket
9	532124843	Light Bulb
10	532007604	Tube, Battery Tray
11	532124756	Cable Tie
12	532109553	Switch, Interlock, Attachment Clutch
13	532125099	Cable, Battery (Battery to Solenoid)
14	532125104	Switch, Ignition
15	532109788	Nut, Ignition
16	532122147	Key
17	532109081	Solenoid
18	532110712	Switch, Light
19	873680400	Nut, Hex 1/4 - 20
20	532004171	Clip Wire
21	532124780	Cable, Battery (Solenoid to Starter)
22	532124783	Terminal Cover (For Solenoid)
23	532124773	Cable, Battery (Battery to Ground)
24	874641008	Screw 10/32 x 1/2 Pan Head UNF
25	532109596	Clamp, Hose

KEY NO.	PART NO.	DESCRIPTION
26	810090400	Lockwasher 1/4
27	873350400	Nut, Hex Jam 1/4 - 20
28	874780408	Bolt, Hex 1/4 - 20 x 1/2 Gr. 5
29	873510400	Nut, Keps, Hex 1/4- 20
30	874760412	Bolt, Hex 1/4 - 20 x 3/4
31	873220400	Nut, Hex 1/4 - 20
32	811050400	Washer, Lock 1/4 - 20 Int. Tooth
33	532108824	Fuse, 30 AMP
34	810040400	Washer, Lock 1/4
35	532124900	Ammeter
36	532124901	Bracket, Ammeter
37	819070818	Washer, 7/32 x 1/2 x 18 Ga.
38	873911000	Nut
39	532102501	Loop, Wire
40	532124995	Clip, Insulated
41	811050600	Washer, Lock Ext. 3/4
42	532104445	Switch, Interlock, Clutch Pedal
44	873951000	Nut, Keps #10-32 UNF
45	532109787	Bezel, Ignition
46	532121305	Switch, Plunger
47	817021008	Screw, Hex Tapping #10-24 x 1/2
48	532121264	Battery Caps Set
49	532121549	Decal, Battery Caution
	532124472	Manual, Operator's - (English)
	532124473	Manual, Owners - (French)
	532101539	Sheet, Inst. Tractor 15° Slope (English)
	532101572	Sheet, Inst. Tractor 15 Slope (French)
	532126890	Manual, Parts (English)

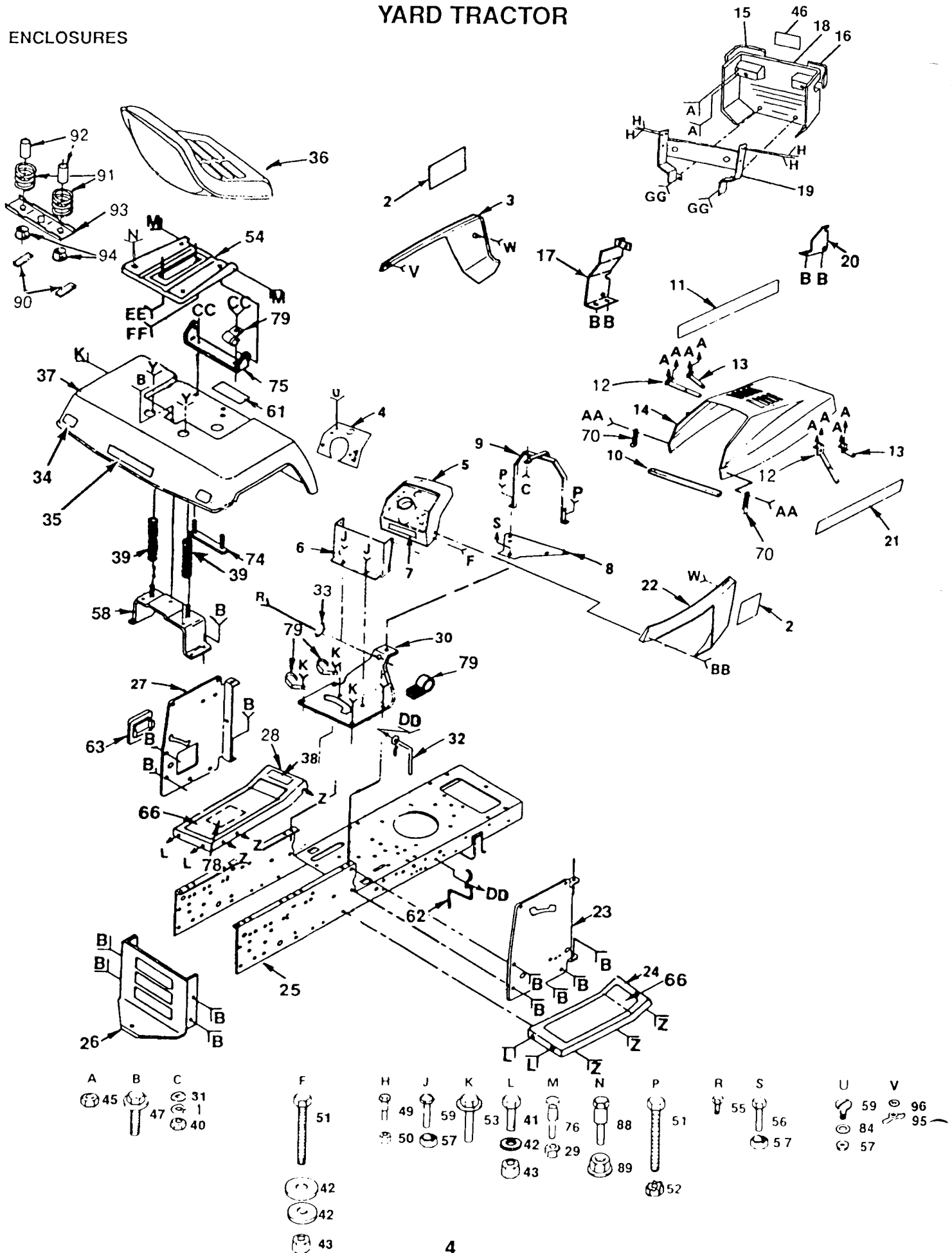


NOTE: All component dimensions given in U.S. inches.
1 inch = 25.4 mm

REPAIR PARTS

YARD TRACTOR

ENCLOSURES



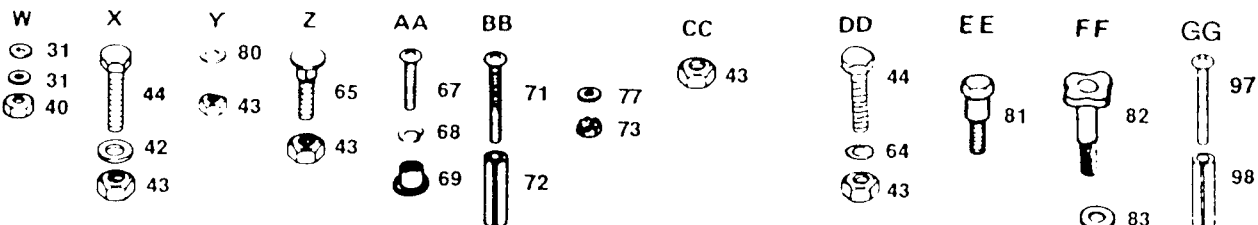
REPAIR PARTS

YARD TRACTOR

ENCLOSURES

NOTE: All component dimensions given in U.S. inches.
1 inch = 25.4 mm

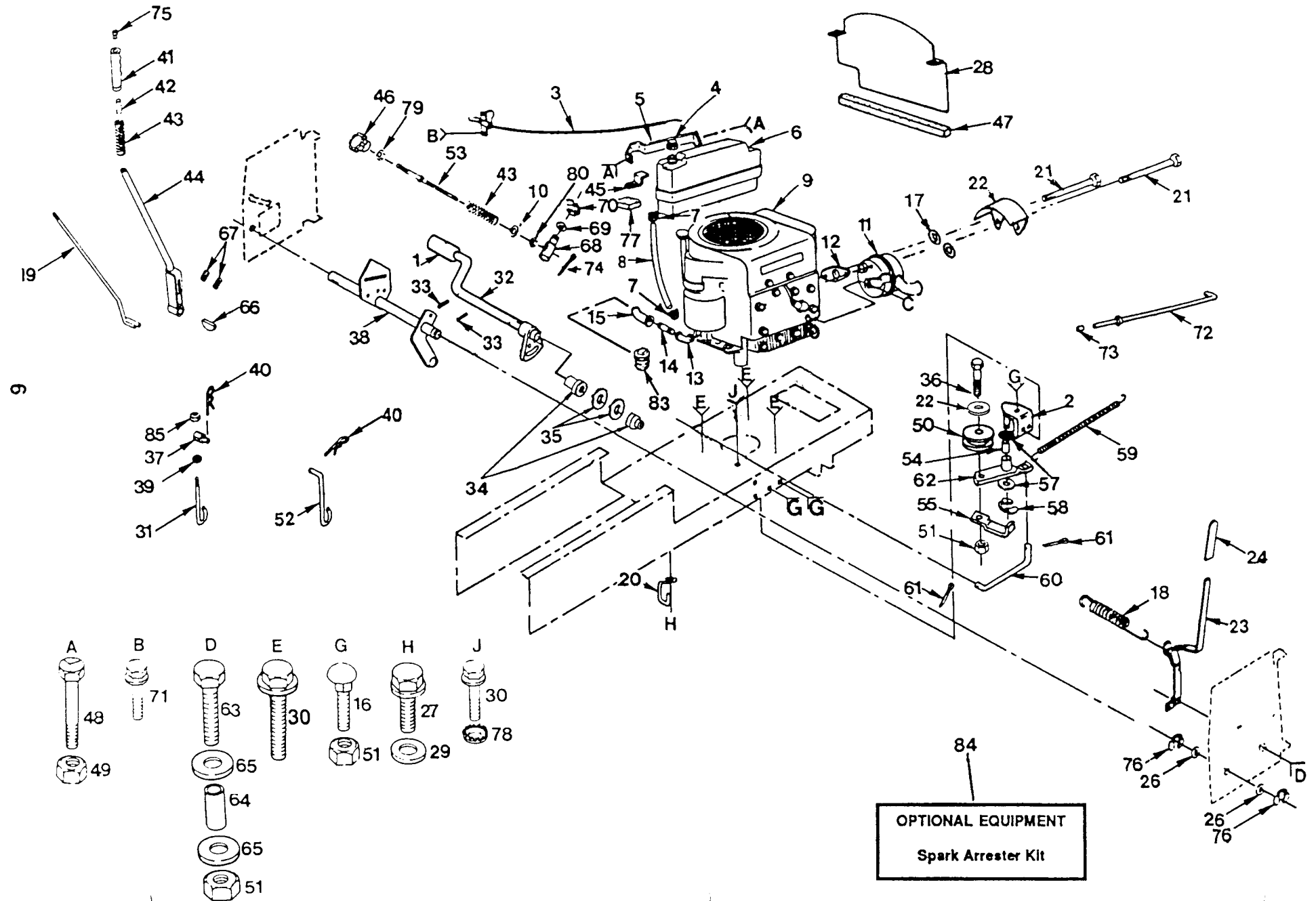
KEY NO.	PART NO.	DESCRIPTION	KEY NO.	PART NO.	DESCRIPTION
1	810040400	Washer, Lock 1/4	50	873680400	Nut - Crownlock 1/4 - 20
2	532124482	Decal, Side Panel	51	874760620	Bolt - Hex 3/8 - 16 x 1 - 1/4
3	532124905	Panel, Side L.H.	52	873510600	Nut - Keps 3/8 - 16
4	532124990	Plate, Dashboard	53	817490608	Screw-Hex Washer Hd. Thrd. Forming 3/8 - 16 x 1/2 Type TT
5	532124182	Dashboard	54	532124294	Pan - Seat
6	532104783	Dash, Lower	55	817431008	Screw- Hex Head Sell Tapping No. 10-16 x 1/2 Type B
7	532109821	Decal, Instruction	56	874780512	Bolt - Hex 5/16 - 18 x 3/4 Gr. 5
8	532106965	Plate, Support, Battery	57	873510500	Nut - Keps 5/16 - 18
9	532104786	Support Assembly, Dash	58	532105509	Bracket Assembly - Fender
10	532105037	Foam, Strip	59	874180512	Screw - Truss Hd. 5/16 - 18 x 3/4
11	532124480	Decal, Hood L.H.	61	532120822	Decal - Caution
12	532106784	Strap Assembly, Hinge, Rear	62	532121441	Guide - Belt, Lower, Engine, Pulley, R.H.
13	532104618	Strap Assembly, Hinge, Front	63	532121794	Cover - Access
14	532125007	Hood	64	819132012	Washer 13/32 x 1 - 1/4 x 12 Ga.
15	532124250	Lens, L.H.	65	872140606	Bolt - Carriage 3/8 - 16 x 3/4
16	532124251	Lens, R.H.	66	532108256	Pad - Footrest
17	532121610	Bracket Assembly Frame Pivot L.H.	67	874191008	Screw - Cross Recess Pan Hd. Mach. 10 - 24 x 1/2
18	532126689	Grill Assembly	68	810071000	Washer- Lock No. 10
19	532126025	Support, Asm. Grill	69	532125004	Nut - Weld
20	532110852	Bracket Assembly Frame Pivot R.H.	70	532109808	Latch- Hood
21	532124481	Decal, Hood, R.H.	71	874981020	Screw - Machine Cross Recess 10 - 24 x 1 - 1/4
22	532125063	Panel, Side, R.H.	72	532007206	Spacer - Split 10 x 3/4
23	532106976	Panel, Dash, R.H.	73	873731000	Nut - Keps 10 - 24
24	532125036	Footrest, R.H.	74	532105511	Strap Assembly-Fender
25	532121277	Chassis	75	532126656	Bracket - Pivot, Seat
26	532121306	Drawbar	76	532105529	Bolt - Shoulder
27	532109665	Panel-Dash,L.H.	77	819070818	Washer 7/32 x 1/2 x 18 Ga.
28	532124722	Footrest-L.H.	78	532109199	Decal, Ground Drive.
29	873680500	Nut-Crownlock 5/16-18	79	532124996	Clip- Fuel Line
30	832124800	Saddle	80	819131614	Washer 13/32 x 1 x 14 Ga.
31	819091216	Washer 9/32 x 3/4 x 16 Ga.	81	532121144	Shoulder - Bolt 5/16 x 18 UNC
32	532121440	Guide-Bell, Lower, Engine Pulley,L.H.	82	532120068	Knob - 1/2
33	532124720	Bushing-Steering	83	819171912	Washer 17/32 x 13/16 x 12 Ga.
34	532106202	Reflector-Taillight	84	819111116	Washer11/32x11/16x16 Ga.
35	532124484	Decal-Fender	85	532110356	Cap, Snap
36	532124185	Seat	86	532110357	Washer, Snap, Cap
37	532124979	Fender	88	872170410	Bolt Carriage 1/4 - 20 x 1-1/4
38	532101892	Decal-Clutch/Brake	89	532123976	Nut - Hex Flange 1/4 - 20
39	532124181	Spring,Seat	90	532121251	Foam Strip
40	873220400	Nut-Hex 1/4-20	91	532121250	Spring
41	874760612	Bolt-Hex 3/8-16 x 3/4	92	532121249	Spacer
42	819131312	Washer 13/32 x 13/16 x 12 Ga.	93	532121246	Bracket - Switch Mount
43	873680600	Nut-Crownlock 3/8-16	94	532121248	Snap Bushing
44	874760616	Bolt-Hex 3/8-16 x 1	95	873490400	Wing Nut 1/4 - 20
45	873510400	Nut, Hex, Keps 1/4 - 20	96	811030400	Washer, Lock 1/4 Ext/Int Tooth
46	532124483	Decal, Grill, Husky	97	874760440	Bolt, 1/4 - 20 x 2 1/2
47	817490612	Screw-Hex Washer Hd. Thrd. Rolling 3/8 - 16 3/4 Type TT	98	532121235	Spacer
48	532001260	Spacer			
49	532123481	Bolt - Shoulder 1/4 - 20			



REPAIR PARTS

YARD TRACTOR

POWER AND MECHANICAL CONTROLS GROUP



REPAIR PARTS

YARD TRACTOR

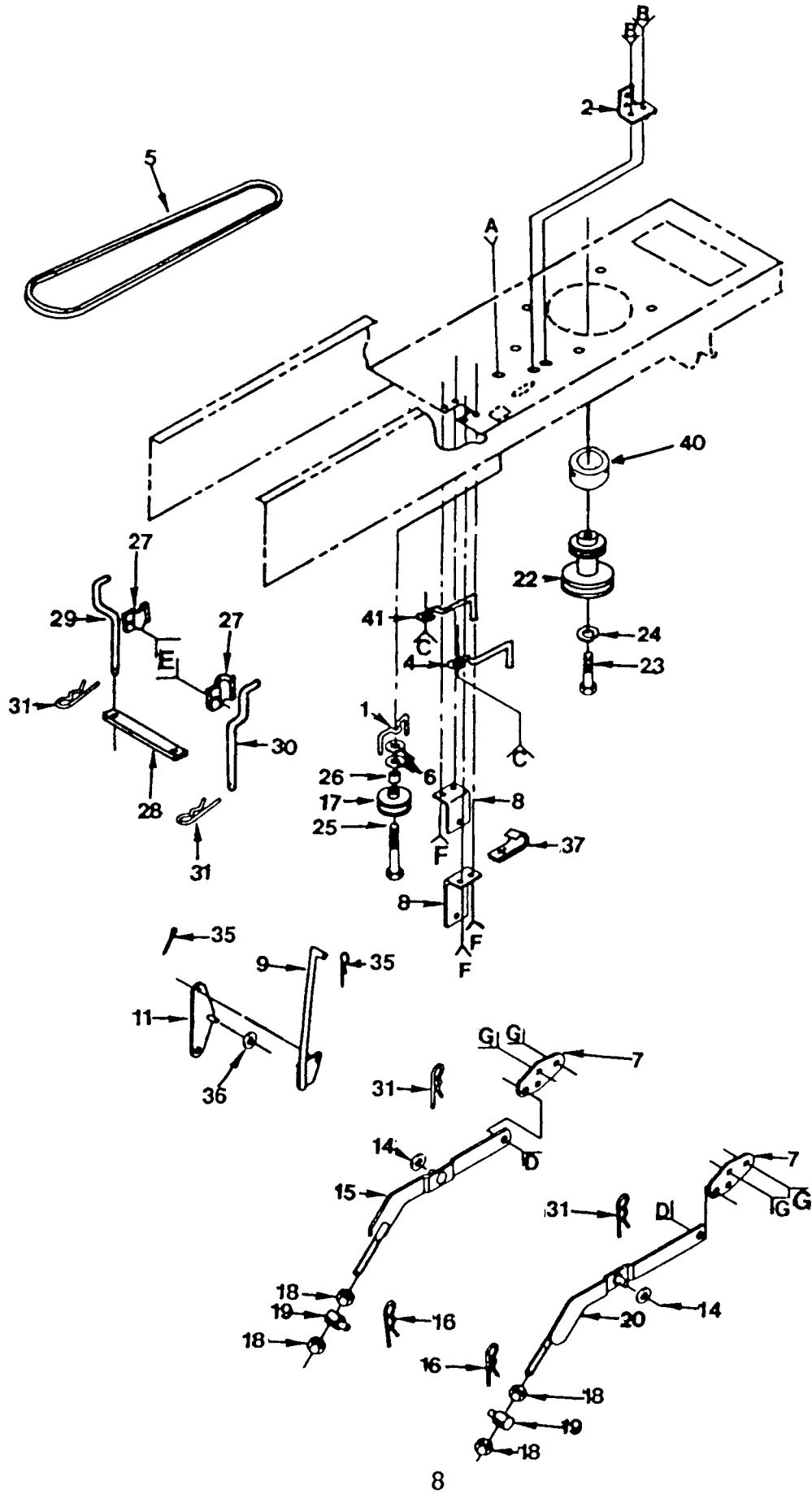
POWER AND MECHANICAL CONTROLS GROUP

KEY NO.	PART NO.	DESCRIPTION	KEY NO.	PART NO.	DESCRIPTION
1	532124872	Pedal Cover	41	532109413	Grip, Handle
2	532123102	Bracket Assembly, Clutch	42	532122364	Plunger, Lever, Hand
3	532121275	Control, Throttle	43	532124874	Spring
4	532124912	Fuel Cap	44	532121718	Lever Assembly, Hand Kit (Inc. Key No 19)
5	532121281	Support, Tank, Fuel	45	532104799	Brace, Tank
6	532121280	Tank, Fuel	46	532121891	Handle, Adjust Lift
7	532123487	Hose Clamp	47	532104915	Strip, Foam 14.5"
8	863083730	Fuel Line	48	874780512	Bolt, Hex 5/16 - 18 x 3/4 Gr. 5
9	532124136	Engine Briggs & Stratton, Type No. 0412 -01	49	873680500	Locknut 5/16 - 18 Gr. B
10	819131016	Washer 13/32 x 5/8 x 16 Ga.	50	532123766	Pulley, Idler
11	532121304	Muffler	51	873680600	Nut, Crownlock 3/8 - 16
12	532125593	Gasket, Exhaust	52	532110029	Link, Lift
13	813310300	45° Street Elbow 3/8 NPT	53	532110729	Rod, Adjust, Lift
14	813280328	Std. Pipe Nipple 3/8 - 18 NPT x 3 1/2	54	532105706	Bearing
15	813200300	90° Elbow 3/8 NPT	55	532123205	Retainer, Belt
16	872140606	Bolt, Carriage 3/8 - 16 x 3/4	57	532110812	Washer, Hardened
17	819151616	Washer Lock 15/32 x 11/16 x 16 Ga.	58	812000039	Ring, Klip
18	532102727	Spring, Extension	59	532105709	Spring, Return Clutch
19	532121719	Rod Assembly, Lever	60	532105710	Link, Clutch
20	532121218	Retainer, Belt, Chassis L.H.	61	876020412	Pin, Cotter 1/8 x 3/4
21	532121744	Bolt 5/16 - 18 x 5/8	62	532123789	Arm, Asm. Idler
22	532121742	Shield, Heat, Muffler	63	874760624	Bolt Hex 3/8 - 16 x 1 - 1/2
23	532106983	Handle, Clutch Attachment	64	532108056	Bushing, Handle, Clutch
24	532124917	Grip, Handle	65	819121612	Washer 3/8 x 1 x 12 Ga.
25	819131316	Washer 13/32 x 13/16 x 16 Ga.	66	532124997	Woodruff Key 1/4 x 1
26	819292016	Washer 29/32 x 1 - 1/4 x 16 Ga.	67	823180606	Set Screw, Hex Socket Forged Headless 3/8 - 16 x 3/8
27	817490612	Screw, Hex Washer Thrd. Rolling 3/8 - 1 6 x 3/4	68	532110810	Trunnion, Stop, Depth
28	532126423	Baffle, Vertical	69	819151216	Washer 15/32 x 3/4 x 16 Ga.
29	819131312	Washer 13/32 x 13/16 x 12 Ga.	70	812000037	Klip Ring
30	817490620	Screw, Hex Washer Hd. Thread Rolling 3/8 - 16 x 1 - 1/4 Type TT	71	817720410	Screw Hex Thread Cutting 1/4 - 20 x 5/8
31	532110448	Link, Lift, Adjustable	72	532125637	Rod, Brake, Park
32	532122424	Shaft, Pedal, Foot	73	532071673	Plunger Cap
33	532001572	Roll Pin 3/16 x 1	74	876020308	Cotter Pin 3/32 x 1/2
34	532120183	Bearing, Nylon	75	532124526	Button, Plunger
35	819211616	Washer, 21/32 x 1 x 16 Ga.	76	812000022	E-Ring
36	874760644	Bolt, Fin Hex 3/8 - 16 x 2 - 3/4	77	532006431	Pad, Spacer
37	532110447	Trunnion, Lift	78	811050600	Washer, Lock 3/8 - Ext. Tooth
38	532120174	Shaft, Assembly Lift	79	873350600	Nut, Hex Jam 3/8 - 16
39	873360700	Nut, Hex Jam 7/16 - 20	80	532110807	Nut, Special
40	532124670	Retainer Spring	83	813290300	Oil Drain Plug
			84	532121851	Spark Arrester Kit
			85	873710700	Nut, Jam Crownlock 7/16 - 20

REPAIR PARTS

YARD TRACTOR

DRIVE GROUP

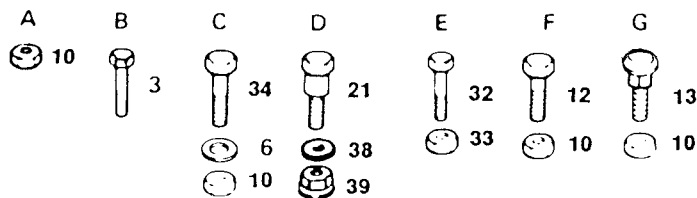


REPAIR PARTS

YARD TRACTOR

DRIVE GROUP

KEY NO.	PART NO.	DESCRIPTION
1	532109070	Keeper, Belt
2	532108236	Bracket, Switch
3	817021008	Screw, Tap. Hex Hd. 10 - 24 x 1/2
4	532105730	Keeper, Belt, Engine
5	532125907	V-Belt, Drive
6	819131312	Washer 13/32 x 13/16 x 12 Ga.
7	532105864	Bracket, Suspension
8	532106444	Bracket, Bellcrank
9	532108451	Rod Assembly, Clutch Primary
10	873680600	Nut, Crownlock 3/8 - 16
11	532109728	Bellcrank Assembly
12	874760612	Bolt, Hex 3/8 - 16 x 3/4
13	872140606	Bolt, Rd.Hd.Sq Neck 3/8-16 x 3/4
14	819171516	Washer 17/32 x 15/16 x 16 Ga.
15	532121599	Arm Assembly, Suspension, L.H.
16	532009135	Retainer, Spring
17	532123674	Idler, Flat
18	873220800	Nut, Hex 1/2-13
19	532106308	Trunnion, Lift Lower
20	532121598	Arm Assembly, Suspension R.H.
21	532105848	Bolt, Shoulder 3/8 - 16
22	532105731	Pulley, Engine
23	874770728	Bolt, Hex 7/16 - 20 x 1 - 3/4
24	810040700	Washer, Lock
25	874760644	Bolt, Hex 3/8 - 16 x 2 - 3/4
26	532004470	Spacer
27	532106190	Clamp
28	532123770	Strap, Locator
29	532123662	Keeper, Belt, L .H .
30	532123663	Keeper, Belt, R.H.
31	532004921	Spring, Retainer
32	874760512	Bolt, Hex 5/16 - 18 x 3/4
33	873680500	Nut, Lock 5/16 - 18
34	874760616	Bolt, Hex 3/8 - 16 x 1
35	876020412	Pin, Cotter 1/8 x 3/4
36	819131410	Washer, 13/32 x 7/8 x 10 Ga.
37	532124898	Clip, Insulated
38	532110739	Washer, Spring
39	873980600	Nut, Flange Lock 3/8
40	532124915	Spacer
41	532121218	Keeper, Belt Engine

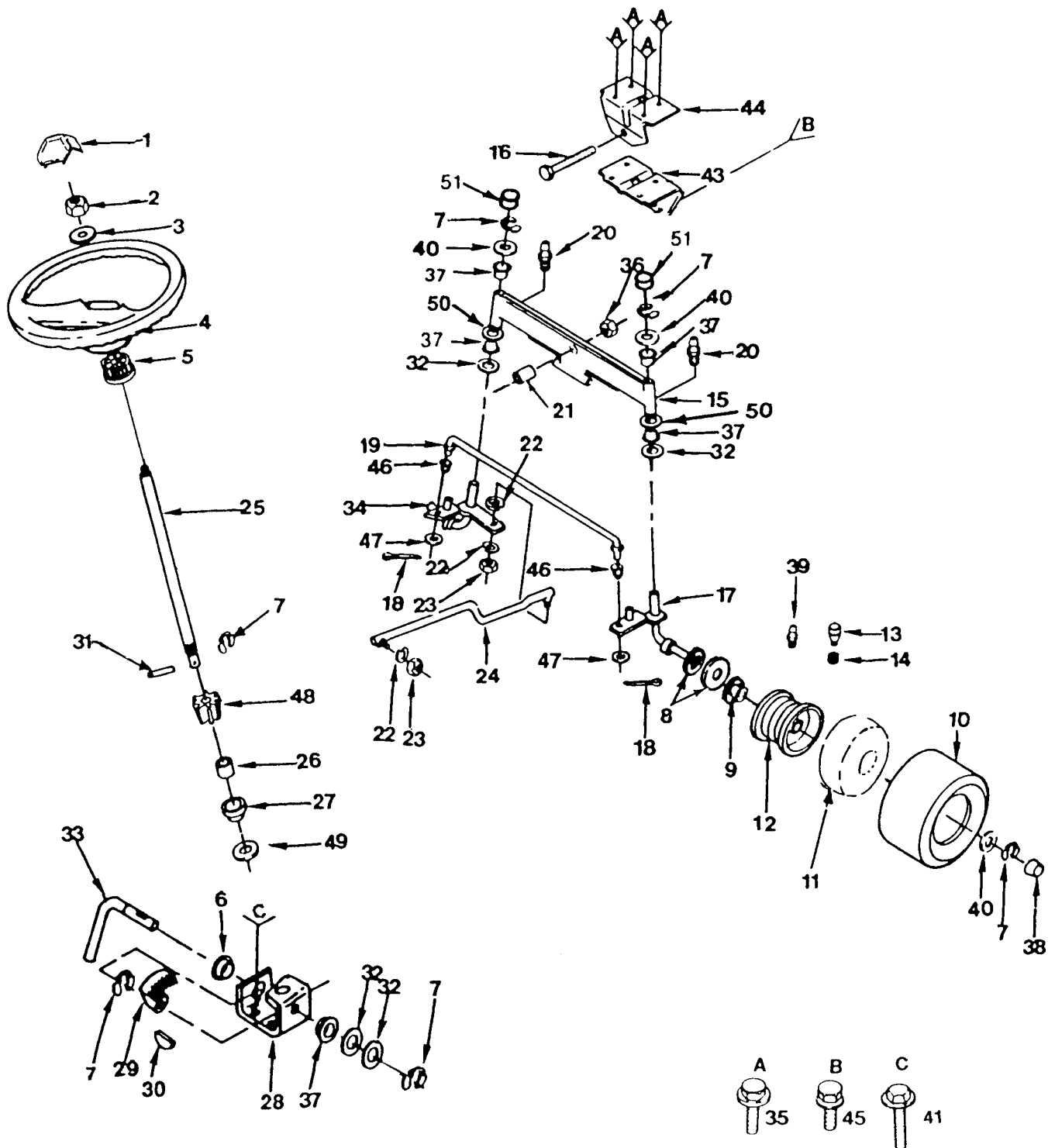


NOTE: All component dimensions given in U.S. inches.
1 inch = 25.4 mm

REPAIR PARTS

YARD TRACTOR

STEERING, FRONT AXLE AND WHEELS



REPAIR PARTS

YARD TRACTOR

STEERING, FRONT AXLE AND WHEELS

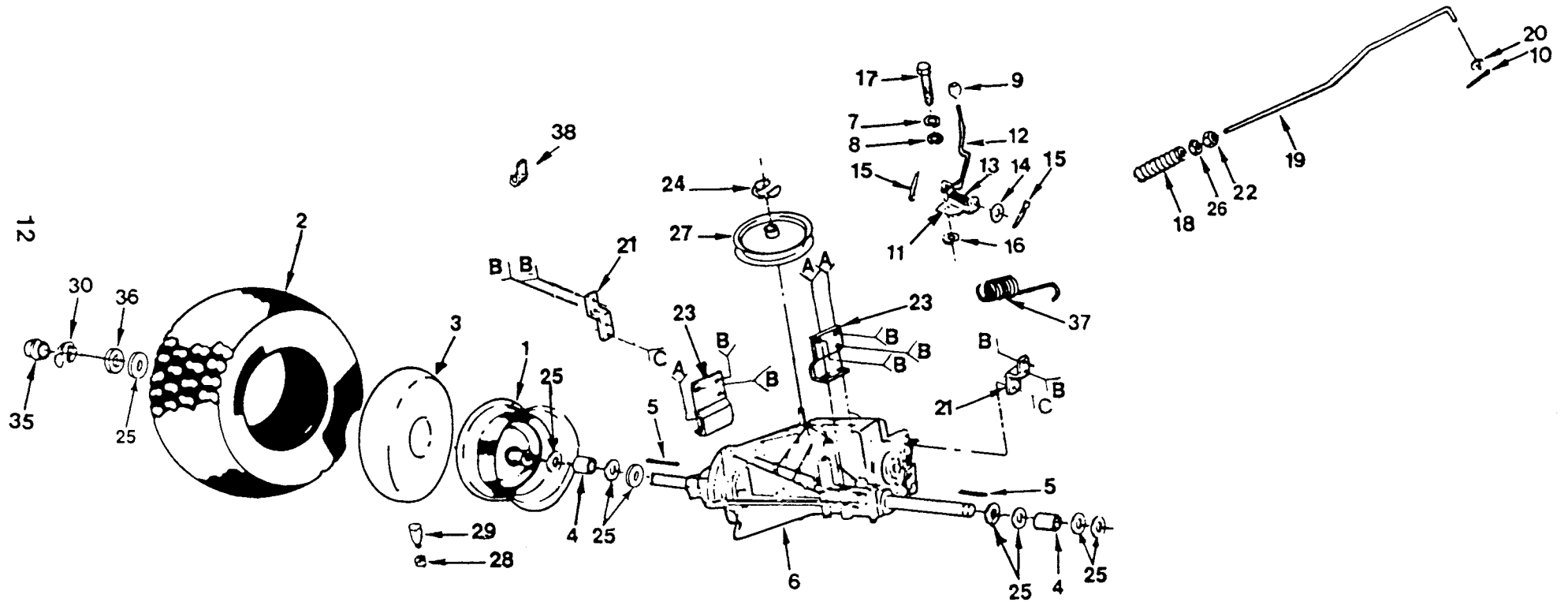
KEY NO.	PART NO.	DESCRIPTION	KEY NO.	PART NO.	DESCRIPTION
1	532124416	Insert, Steering Wheel	27	532071208	Bushing, Steering Rod
2	873940800	Nut, Hex Jam Toplock 1/2 - 20	28	532109432	Bracket Assembly, Steering
3	532100712	Washer 17/32 x 2 - 1/4 x .160	29	532108684	Gear, Sector
4	532124415	Steering Wheel	30	532106126	Woodruff Key 3/16 x 3/4
5	532110711	Adapter, Steering Wheel	31	532002882	Drive Pin 3/16 x 1
6	532109816	Nyliner, Snap-in	32	532124931	Bearing Thrust
7	812000029	Klipring	33	532108683	Rod, Steering
8	532121749	Washer 25/32 x 1 - 1/4 x 16 Ga.	34	532105656	Spindle Assembly, L.H.
9	532009040	Bearings, Wheel, Front	35	532122819	Screw, Hex Washer Hd. Thread
10	532106222	Tire, 15 x 6.00 - 6 (Tubeless)			Forming Type TT 3/8 - 16 x 3/4
11	532059904	Tube, Tire (not furnished with Tractor)	36	873901000	Nut, Flange 5/8 - 11
12	532124801	Rim Assembly - 6" Front (Inc. 2 each Key No. 9)	37	532003366	Bearing
13	532065139	Stem, Valve	38	532104757	Cap, Hub
14	532059192	Cap, Valve	39	532000278	Grease Fitting
15	532108075	Axle Assembly, Front	40	532121748	Washer 25/32 x 1 - 5/8 x 16 Ga.
16	874761060	Bolt, Hex 5/8-11 x 3-3/4	41	817490612	Screw, Hex Washer Thrdl 3/8 - 16 x 3/4
17	532105654	Spindle Assembly, R.H.	43	532105664	Support, Saddle, Front
18	876020412	Pin, Cotter 1/8 x 3/4	44	532105663	Support, Saddle, Rear
19	532105715	Tie Rod	45	817490508	Screw, Hex Washer Thd. Rolling 5/16-18x1/2
20	532124836	Fitting, Grease	46	532120754	Bushing
21	532110438	Spacer Bearing, Front Axle	47	819131416	Washer 13/32 x 7/8 x 16 Ga.
22	810040600	Lockwasher 3/8	48	532108685	Gear, Pinion
23	873610600	Nut, Hex 3/8 - 24	49	532101930	Washer, Hardened
24	532105727	Drag Link	50	819272016	Washer 27/32 x 1 - 1/4 x 16 Ga.
25	532109556	Shaft, Steering	51	532121232	Spindle Cap
26	532074580	Spacer			

NOTE: All component dimensions given in U.S. inches.
1 inch = 25.4 mm

REPAIR PARTS

YARD TRACTOR

TRANSAXLE AND REAR WHEEL



REPAIR PARTS

YARD TRACTOR

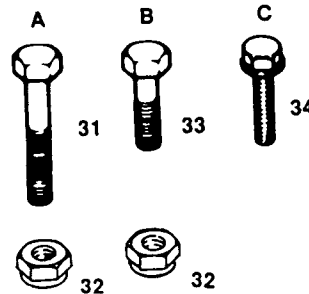
TRANSAXLE AND REAR WHEEL

KEY NO.	PART NO.	DESCRIPTION
1	532124723	Rim Assembly - 8" Rear
2	532106268	Tire 18 x 9.50 - 8" (Tubeless)
3	532124926	Tube, Tire (not furnished with Tractor)
4	532109502	Spacer, Split
5	532123583	Key, Square 2.5 x .1845/.1865
6	532124162	6 Speed Heavy Duty Transaxle (see pages 42 and 43 for parts breakdown)
7	810040400	Washer, Lock 1/4
8	819091210	Washer 9/32 x 3/4 x 10 Ga.
9	532121274	Knob, Control
10	876020412	Cotter Pin 1/8 x 3/4
11	532106919	Plate, Rod, Shift
12	532124461	Rod, Shifter
13	532105700	Spring, Torsion
14	819151216	Washer 15/32 x 3/4 x 16 Ga.
15	876020416	Pin, Cotter 1/8 x 1
16	532105701	Washer, Shift Plate
17	871040412	Bolt, Hex 1/4 - 28 x 3/4 Gr. 8
18	532106888	Spring, Rod, Brake
19	532110437	Rod, Brake

KEY NO.	PART NO.	DESCRIPTION
20	819131316	Washer 13/32 x 13/16 x 16 Ga.
21	532121520	Strap, Torque
22	873350600	Nut, Hex Jam 3/8 - 16
23	532109167	Bracket, Transaxle
24	812000028	Ring, Retainer
25	532121749	Washer 25/32 x 1 - 1/4 x 16 Ga.
27	532123666	Pulley, Input Transaxle
28	532059192	Cap, Valve
29	532065139	Stem, Valve
30	812000001	E-Ring
31	874760644	Bolt, Hex 3/8 - 16 x 2 - 3/4
32	873680600	Nut, 3/8-16
33	874760612	Bolt, Hex 3/8 - 16 x 3/4
34	817490512	Screw Hex Washer Hd. Thd. Form. Type TT 5/16 - 18 UNC x 3/4
35	532104757	Cap, Hub, Rear
36	532121748	Washer 25/32 x 1 - 5/8 x 16 Ga.
37	532110422	Spring, Brake Return
38	532124996	Clip, Fuel Line
39	532000278	Fitting Grease
40	873800600	Nut, Lock Hex w/Wsh. INS 3/8 - 16 UNC

13

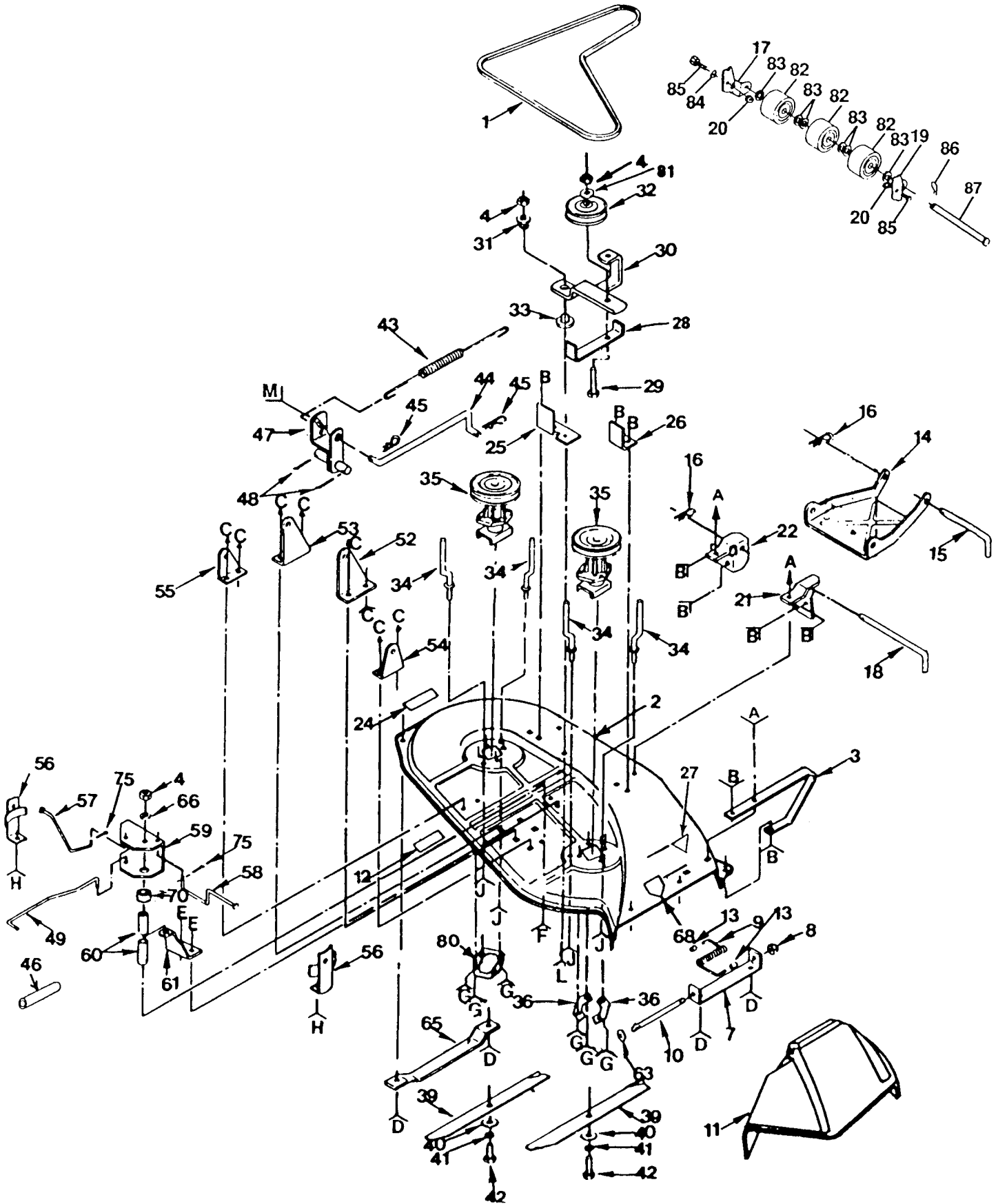
NOTE: All component dimensions given in U.S. inches.
1 inch = 25.4 mm



REPAIR PARTS

YARD TRACTOR

MOWER



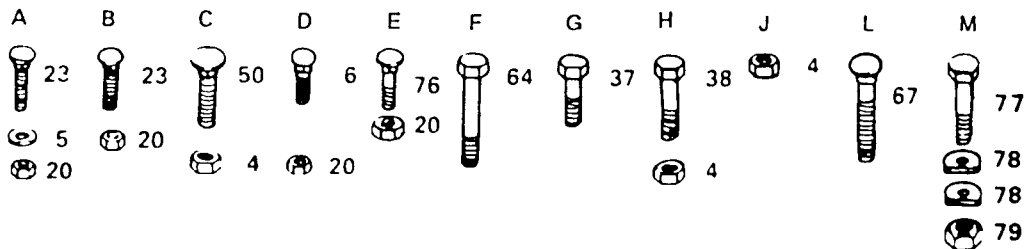
REPAIR PARTS

YARD TRACTOR

MOWER

KEY NO.	PART NO.	DESCRIPTION	KEY NO.	PART NO.	DESCRIPTION
1	532106085	V-Belt	43	532108250	Spring, Ext.
2	532121259	Housing	44	532108235	Rod, Clutch, Mower
3	532008417	Runner R.H.	45	532004921	Spring, Retainer
4	873680600	Nut, Lock 3/8 - 16	46	532124915	Spacer
5	819111216	Washer 11/32 x 3/4 x 16 Ga.	47	532124066	Rock Shaft Assembly
6	872140505	Bolt, Carr., 5/16-18 x 5/8	48	876020616	Pin, Cotter 3/16 x 1
7	532105896	Bracket, Deflector	49	532108247	Rod, Brake, Primary
8	532110452	Push Nut	50	872140606	Bolt, Carriage 3/8 - 16 x 3/4
9	532106734	Spring, Deflector	52	532108243	Bracket, Pivot R.H.
10	532106735	Rod, Hinge	53	532108241	Bracket, Pivot L.H.
11	532106736	Deflector, Shield	54	532105857	Bracket, Susp., Rear R.H.
12	532105814	Decal, V-Belt Mower Drive	55	532108673	Bracket, Susp., Rear L.H.
13	532105304	Cap	56	532106578	Brake Assembly
14	532105662	Link, Parallel	57	532106463	Rod, Brake, Secondary L.H.
15	532105744	Pin, Hinge, Front	58	532108249	Rod, Brake, Secondary R.H.
16	532004921	Spring, Retainer	59	532106456	Bracket, Brake, Pivot
17	532190646	Bracket, Nose Roller L.H.	60	532100672	Spacer, Brake
18	532109835	Pin, Hinge, Rear	61	532100673	Bracket, Support
19	532109647	Bracket, Nose Roller R.H.	63	819111016	Washer 11/32 x 5/8 x 16 Ga.
20	873680500	Nut, Lock 5/16 - 18	64	874760688	Bolt 3/8 - 16 x 5 - 1/2
21	532109598	Bracket, Lift R.H.	65	532125074	Runner L.H.
22	532109597	Bracket, Lift L.H.	66	819131614	Washer 13/32 x 1 x 14 Ga.
23	872140506	Bolt, Carriage 5/16 - 18 x 3/4	67	872140610	Bolt, Carriage 3/8 - 16 x 1 - 1/4
24	532109820	Decal, Instruction, Caution	68	532121349	Decal, Warning
25	532109503	Support, Arm	70	532122314	Spacer
26	532109504	Stop, Deck, Front	75	876020308	Pin, Cotter 3/32 x 1/2
27	-----	Decal, Safety Standard -Not Serviced	76	872110506	Bolt, Carriage 5/16 - 18 x 3/4
28	532126756	Guide, Belt	77	874760412	Bolt Hex 1/4 x 20 x 3/4
29	874760632	Bolt 3/8 - 16 x 2	78	532109893	Washer, Special
30	532123553	Arm, Idler Assembly	79	873680400	Nut, Lock 1/4 - 20
31	532106902	Spacer	80	532110445	Plate, Support L.H.
32	532121316	Pulley, Idler	81	819131316	Washer, 13/32 x 13/16 x 16 Ga.
33	532106513	Washer, Wear 1/16	82	532109729	Roller, Nose.
34	532102669	Keeper, Belt	83	819151610	Washer 15/32 x 1 x 10
35	532121687	Mandrel, Assembly	84	819161616	Washer 1/2 x 1 x 16 ga.
36	532100668	Plate, Support, Mandrel	85	874760512	Bolt, hex 5/16-18 x 3/4
37	817490614	Screw, Hex Washer Hd. 3/8 - 16 x 7/8	86	876020412	Pin, Cotter 1/8 x 3/4
38	817490620	Screw, Hex Washer Hd. 3/8 - 16 x 1-1/4	87	532109776	Pin, Pivot.
39	532121263	Blade		532109820	Decal, Deflector Caution
40	819132012	Washer 13/32 x 1 - 1/4 x 12 Ga.		532123928	Mower Deck, Complete
41	810030600	Washer, Lock 3/8			
42	874610624	Bolt, Hex 3/8 - 24 x 1 - 1/2 Gr. 5			

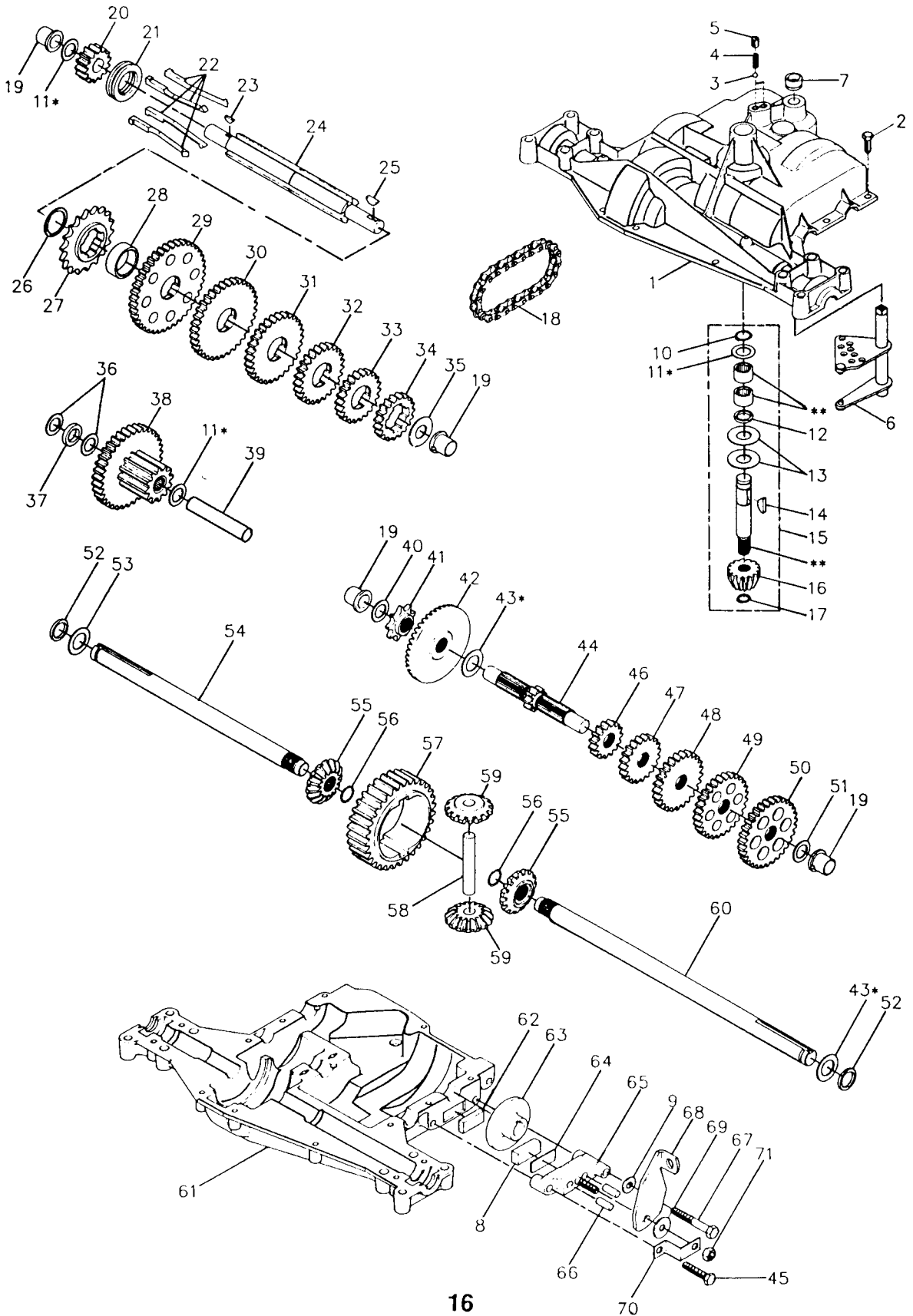
NOTE: All component dimensions given in U.S. inches.
1 inch = 25.4 mm



REPAIR PARTS

YARD TRACTOR TRANSAXLE FOOTE DANA - MODEL NUMBER 4360-19

TRANSAXLE



REPAIR PARTS

YARD TRACTOR

TRANSAXLE FOOTE DANA - MODEL NUMBER 4360-19

TRANSAXLE

KEY NO.	PART NO.	DESCRIPTION	KEY NO.	PART NO.	DESCRIPTION	
1	3865-A	Housing, Upper	38	4193	Assy., Gear, Comb., 12 T & 35 T	
2	1919	Screw, Tapping 1/4 - 20 x .734 Lg.	39	3967	Shaft, Idler	
3	1151	Ball, Detent	40	1708	Washer, Plain, .631 x 1.00 x .015	
4	3626	Spring, Detent	41	3645	Sprocket, 9 T	
5	3623	Screw, Set	42	3589	Gear, Bevel, 42 T	
6	4458	Assembly, Shifter	43	3749	* Washer, Plain, .758 x 1.12 x .010	
7	3789	V-Ring		3652	* Washer, Plain, .758 x 1.12 x .015	
8	3907	Puck, Friction		3693	* Washer, Plain, .758 x 1.12 x .020	
9	3906	Washer, Plain, .325 x .750 x .059		3653	* Washer, Plain, .758 x 1.12 x .025	
10	1099	Ring, Retaining		3408	* Washer, Plain, .758 x 1.25 x .020	
11	1959	* Washer, Plain, .632 x 1.00 x .010		3732	* Washer, Plain, .758 x 1.25 x .025	
	1441	* Washer, Plain, .632 x 1.00 x .020		3184	* Washer, Plain, .758 x 1.25 x .031	
	1423	* Washer, Plain, .632 x 1.00 x .026		3733	* Washer, Plain, .758 x 1.25 x .035	
	1082	* Washer, Plain, .632 x 1.00 x .031		3198	* Washer, Plain, .758 x 1.25 x .040	
	1424	* Washer, Plain, .632 x 1.00 x .036		3734	* Washer, Plain, .758 x 1.25 x .045	
	1068	* Washer, Plain, .632 x 1.00 x .041		3735	* Washer, Plain, .758 x 1.25 x .050	
	1425	* Washer, Plain, .632 x 1.00 x .046	44	3973	Shaft, Drive	
	1358	* Washer, Plain, .632 x 1.00 x .050	45	3724	Screw, Tapping, 5/16 x 18 x 1.44 Lg.	
	1145	* Washer, Plain, .632 x 1.00 x .060		46	3707	Gear, Spur, 15 T
	1319	* Washer, Plain, .632 x 1.00 x .082		47	3866	Gear, Spur, 20 T
12	3312	O-Ring		48	3719	Gear, Spur, 25 T
13	3876	Washer, Plain, .632 x 1.38 x .046		49	3868	Gear, Spur, 28 T
14	1374	Key, Woodruff # 9		50	3683	Gear, Spur, 31 T
15	4171	Assembly, Kit, Input Shaft		51	1145	Washer, Plain, .632 x 1.00 x .060
16	3725	Pinion, Bevel, 14 T		52	3191	Seal, Felt
17	3624	Ring, Retaining		53	3180	Washer, Plain, .758 x 1.25 x .062
18	3625	Chain, 24 Pitches		54	3880	Axle, L.H.
19	1542	Bearing, Flange		55	3871	Gear, Miter, 15 T
20	3709	Gear, Spur, 14T		56	3656	Ring, Retaining
21	3631	Collar, Clutch		57	3839	Gear, Spur, 32 T
22	3828	Key, Clutch		58	3919	Shaft, Cross
23	1369	Key, Woodruff # 3		59	3726	Gear, Miter, 15 T
24	3976	Shaft, Intermediate		60	3881	Axle, R.H.
25	1375	Key, Woodruff # 61		61	3864-B	Housing, Lower
26	3627	Ring, Retaining		62	3920	Puck, Friction
27	3830	Sprocket, 18 T		63	3276	Disc, Brake
28	3841	Spacer		64	3758	Spacer
29	3787	Gear, Spur, 40 T		65	3916	Jaw, Brake
30	3785	Gear, Spur, 35 T		66	3843	Pig, Jowel
31	3876	Gear, Spur, 30 T		67	3915	Screw, Tapping, 5/16 - 18 x 2.25
32	3783	Gear, Spur, 25 T		68	3768	Lever, Actuating
33	3869	Gear, Spur, 22 T		69	3760	Washer, Plain, .321 x 1.00 x .055
34	3741	Gear, Spur, 19 T		70	3917	Bracket, Anti-Rotation
35	3628	Washer, Plain, .640 x 1.37 x .061		71	3847	Nut, Lock 5/16 - 24
36	1423	Washer, Plain, .632 x 1.00 x .026		72	4300	Grease
37	3422	Spacer, .630 x 1.00 x .169				

* Use in various combinations to maintain proper clearances.

** Order Key No. 15.

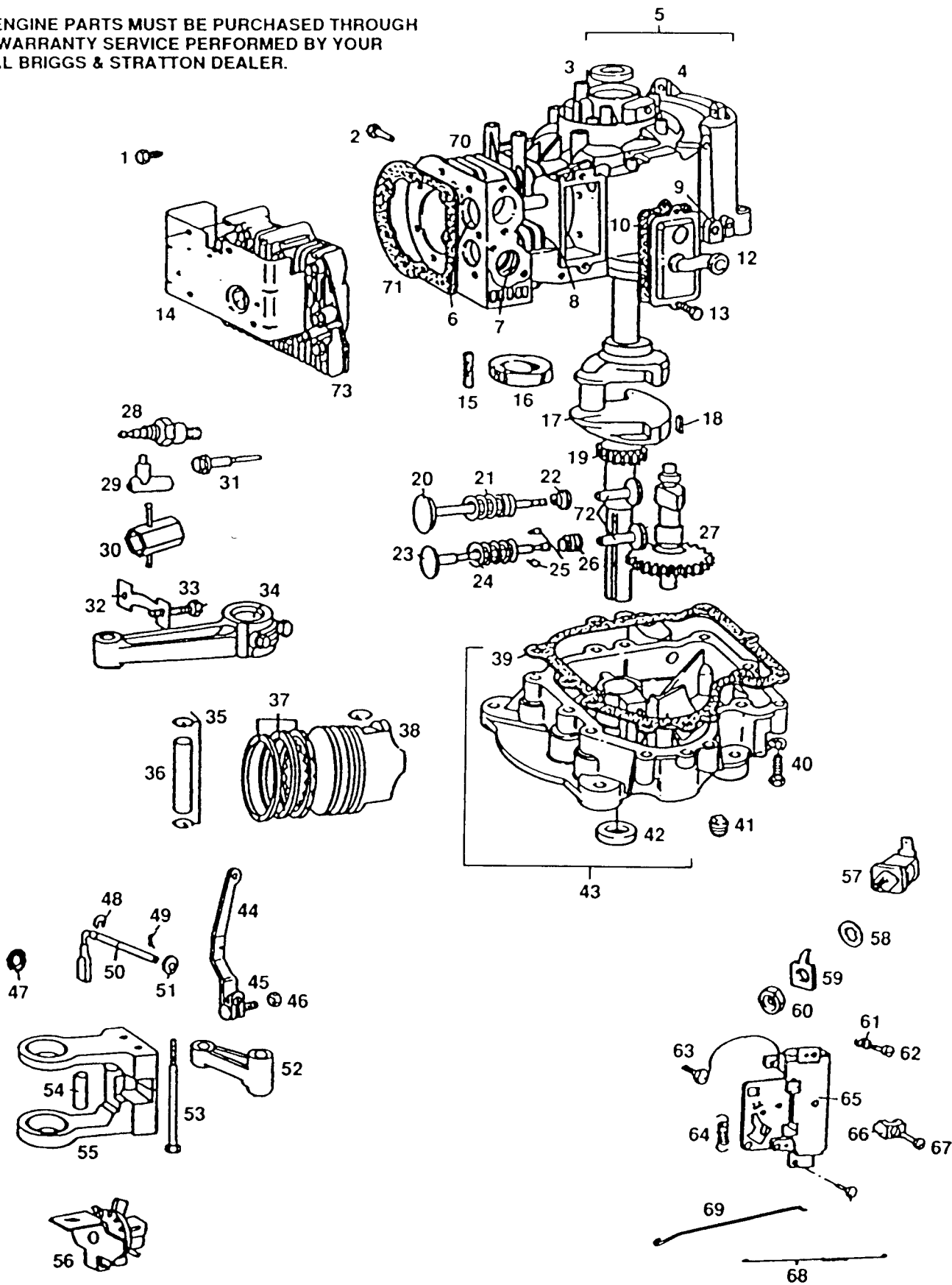
NOTE: All component dimensions given in U.S. inches.
1 inch = 25.4 mm

REPAIR PARTS

YARD TRACTOR

ENGINE BRIGGS & STRATTON – MODEL NUMBER 281707, TYPE NUMBER 0412-01

ALL ENGINE PARTS MUST BE PURCHASED THROUGH
AND WARRANTY SERVICE PERFORMED BY YOUR
LOCAL BRIGGS & STRATTON DEALER.



REPAIR PARTS

YARD TRACTOR

ENGINE BRIGGS & STRATTON – MODEL NUMBER 281707, TYPE NUMBER 0412-01

KEY NO.	PART NO.	DESCRIPTION	KEY NO.	PART NO.	DESCRIPTION
1	93158	Screw, Blower Housing Mounting Sem	37	394665	Ring Set, Piston - Standard
2	93163	Screw, Cylinder Shield Mtg. Sem		391781	Ring Set, Piston - .010" O.S.
3	399265	Bearing, Cylinder Note: Requires special tools for installation		391782	Ring Set, Piston - .020" O.S.
4	391086	Seal, Oil		391783	Ring Set, Piston - .030" O.S.
5	490450	Cylinder Assembly	38	394661	Piston Assembly Standard
6	261463	Seat, Intake Valve (Standard)		394662	Piston Assembly - .010 O.S.
7	210940	Seat, Exhaust Valve (Standard)		394663	Piston Assembly - .020" O.S.
8	261961	Guide, Exhaust Valve Note: 231218 Guide - Intake Valve (Brass)		394664	Piston Assembly - .030" O.S.
9	231597	Bushing, Governor Crank (1/4" ID)			
10	27803	Gasket, Valve Cover			
11	391406	Breather Assembly			
12	280100	Tube, Breather			
13	93394	Screw, Sem			
14	491490	Cover, Cylinder Head			
15	94160	Pin, Eccentric			
16	262243	Eccentric			
17	490466	Crankshaft Note: Order Part Number 94196 for Timing Gear Key	39	271916	Note: For Chrome Ring Set - Standard size - Order No. 392331 Gasket, Crankcase Cover (1/64" thick)
18	222698	Key, Flywheel	40	94305	Screw, Base Mounting Sem
19	262135	Gear, Timing	41	91084	Plug, Oil Drain
20	262247	Valve, Intake	42	291675	Seal, Oil
21	65906	Spring, Intake Valve	43	490452	Base, Engine
22	221596	Retainer, Intake Valve	44	490927	Lever Assembly, Governor (For 1/4" dia. Crank)
23	262246	Valve, Exhaust	45	92613	Bolt, Governor Lever
24	26828	Spring, Exhaust Valve	46	231082	Nut, Hex 10 - 24
25	93630	Retainer, Exhaust Valve Rotocoil (2)	47	491323	Seal, Oil
26	292260	Rotocoil, Exhaust Valve	48	93307	Retainer, E-Ring
27	212897	Gear, Cam	49	93306	Cotter, Hairpin
28	293918	Plug, Spark (1 1/2" high - 37-42 mm)	50	231058	Crank, Governor (1/4" dia.)
29	66538	Elbow, Spark Plug	51	222450	Washer, Governor Crank (1/4" I.D.)
30	89838	Wrench, Spark Plug	52	212359	Link, Counterweight
31	93723	Screw, Cylinder Head (3" long)	53	93875	Screw, Counterweight (1)
32	222299	Lock, Connecting Rod Screw	54	298909	Pin, Counterweight (1)
33	92909	Screw, Connecting Rod	55	399891	Counterweight Assembly
34	490348	Rod Assembly, Connecting Note: For Connecting Rod with .020" undersize Crankpin Bore - Order No. 490469	56	490815	Oil Slinger, Governor
35	260924	Lock, Piston Pin	57	398525	Insulator Assembly
36	299691	Pin Assembly, Piston - Standard	58	92791	Washer, Lock, Shake-proof
	391286	Pin Assembly, Piston - .005 O.S.	59	93722	Terminal, Spade
			60	90576	Nut, Hex 8 - 32
			61	26157	Spring, Throttle Adjustment
			62	90200	Screw, Machine Fill. Hd. 8 - 32 x 1/2"
			63	93572	Screw, Carburetor
			64	260695	Spring, Governor
			65	390784	Plate, Governor Control (Choke-A-Matic)
			66	221535	Clamp, Casing
			67	93496	Screw, Sem
			68	260584	Spring, Governor Link
			69	262348	Link, Governor
			70	223715	Shield, Cylinder
			71	271866	Gasket, Cylinder Head
			72	262248	Tappet Valve
			73	491491	Head, Cylinder

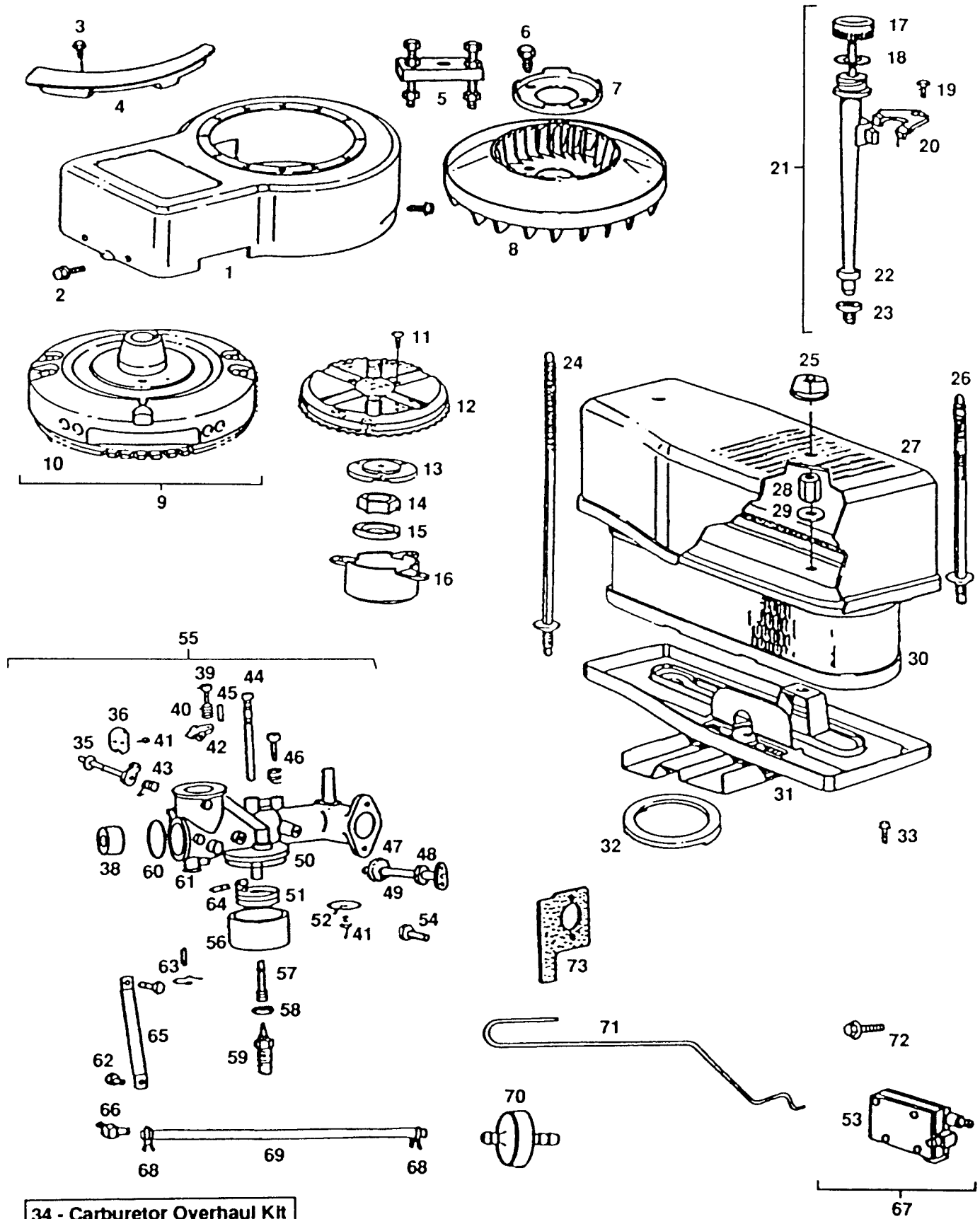
NOTE: All component dimensions given in U.S. inches.
1 inch = 25.4 mm

ALL ENGINE PARTS MUST BE PURCHASED THROUGH AND WARRANTY SERVICE PERFORMED BY YOUR LOCAL BRIGGS & STRATTON DEALER.

REPAIR PARTS

YARD TRACTOR

ENGINE BRIGGS & STRATTON – MODEL NUMBER 281707, TYPE NUMBER 0412-01



REPAIR PARTS

YARD TRACTOR

ENGINE BRIGGS & STRATTON – MODEL NUMBER 281707, TYPE NUMBER 0412-01

KEY NO.	PART NO.	DESCRIPTION	KEY NO.	PART NO.	DESCRIPTION
1	490689	Housing, Blower	37	390684	Shaft and Lever, Choke
2	93158	Screw, Blower Housing Mounting Sem	38	211960	Venturi, Carburetor
3	93705	Screw, Hex Hd.	39	91920	Screw, Machine Fil Hd. 8-32 x 5/8"
4	223752	Guard, Flywheel	40	26157	Spring, Throttle Adjustment
5	19203	Puller, Flywheel	41	93499	Screw, Throttle and Choke Valve Mtg. Sem
6	93535	Screw, Sem 3/4" Long	42	211712	Stop, Throttle
7	223726	Retainer, Fan	43	261116	Spring, Choke Return
8	280687	Fan, Flywheel	44	299740	Nozzle, Carburetor
9	492326	Flywheel and Ring Gear Assy. Magneto	45	93043	Pin, Throttle Stop
10	392134	Gear, Ring (Includes Mounting Parts)	46	292681	Valve Assembly, Carburetor Idle
11	93805	Screw, Sem	47	271853	Washer, Throttle Shaft Seal (Foam)
12	222562	Screen, Flush Rotating	48	398970	Seal, Throttle Shaft
13	280848	Spacer	49	491006	Shaft and Lever, Throttle
14	92284	Nut, Hex	50	270511	Gasket, Flat Bowl
15	220865	Washer, Spring	51	299707	Float, Carburetor
16	222561	Cup, Screen Mounting	52	222433	Valve, Throttle
17	490327	Cap and Dipstick, Oil Filter	53	390818	Pump, Impulse
18	270920	Seal, Oil Filler Cap	54	93357	Screw, Carburetor
19	93572	Screw, Clamp Mounting	55	491031	Carburetor Assembly
20	223721	Clamp, Oil Filler Tube	56	221995	Bowl, Float
21	490474	Fill Group, Oil	57	231323	Screw, Nozzle
22	280741	Tube, Oil Filler	58	222014	Washer, Float Bowl
23	68838	Seal, Filler Tube	59	396568	Valve, Needle
24	94248	Stud, Air Cleaner	60	221997	Plug, Welch
25	212706	Knob, Air Cleaner	61	490473	Body Assembly, Carburetor
26	94246	Stud, Air Cleaner	62	93572	Screw, Carburetor
27	223700	Cover, Air Cleaner	63	394682	Valve, Fuel Inlet
28	231532	Nut, Air Cleaner Mtg.	64	230896	Pin, Float Hinge
29	94249	Washer, Air Cleaner	65	222311	Bracket, Carburetor
30	491519	Cartridge, Air Cleaner	66	67218	Connector, Fuel Pipe
31	490332	Body, Air Cleaner	67	394462	Repair Kit, Pump
32	270853	Gasket, Air Cleaner	68	93053	Clamp, Fuel Pipe
33	94018	Screw, Air Cleaner Sem	69	393815	Fuel Line (11" Long)
34	394698	Carburetor Overhaul Lit	70	289090	Filter, Fuel (In Fuel Line)
35	270382	Washer, Choke Shaft	71	261610	Link, Choke
36	222010	Valve, Choke	72	93621	Screw, Sem
			73	270872	Gasket, Carburetor Mounting

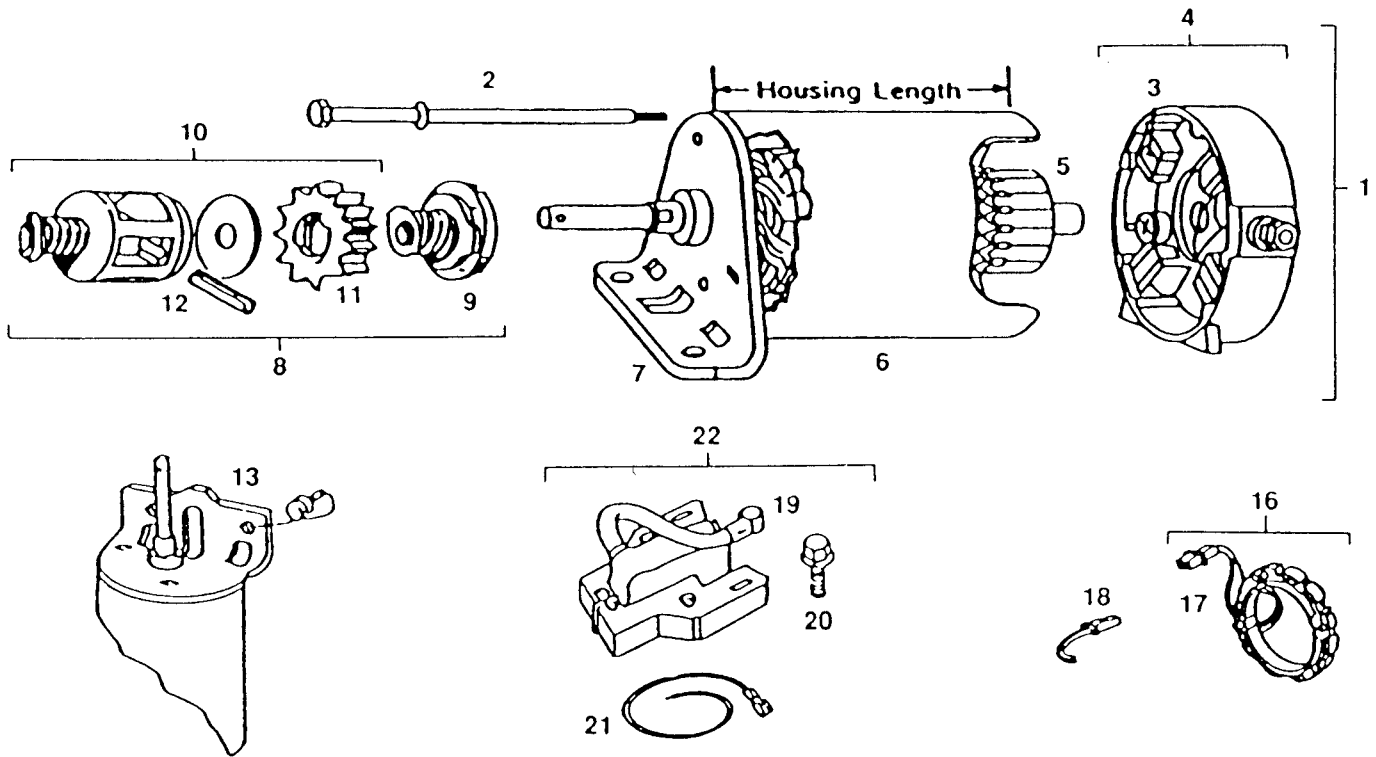
NOTE: All component dimensions given in U.S. inches.
1 inch = 25.4 mm

ALL ENGINE PARTS MUST BE PURCHASED THROUGH AND WARRANTY SERVICE PERFORMED BY YOUR LOCAL BRIGGS & STRATTON DEALER.

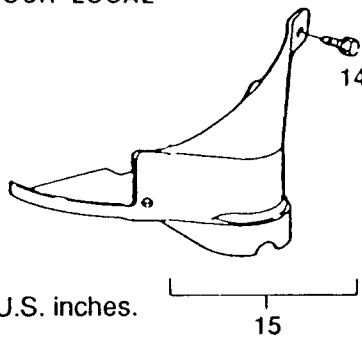
REPAIR PARTS

YARD TRACTOR

ENGINE BRIGGS & STRATTON – MODEL NUMBER 281707, TYPE NUMBER 0412-01



ALL ENGINE PARTS MUST BE PURCHASED THROUGH AND WARRANTY SERVICE PERFORMED BY YOUR LOCAL BRIGGS & STRATTON DEALER.



23 LABEL KIT

24 GASKET SET

NOTE: All component dimensions given in U.S. inches.
1 inch = 25.4 mm

KEY NO.	PART NO.	DESCRIPTION	KEY NO.	PART NO.	DESCRIPTION
1	394805	Motor and Drive Assembly 12V, 4-3/8" Housing Length	15	490324	Cover, Starter (Includes Mounting Screws)
2	94003	Thru Bolt Assembly	16	393474	Stator, Alternator (Dual Circuit)
3	395538	Brush Assembly	17	393456	Diode and Connector Assembly (Dual Circuit)
4	395537	End Cap Assembly Commutator	18	393362	Alternator Harness Assembly (Dual Circuit)
5	390837	Armature Assembly	19	221798	Terminal, Ignition
6	393825	Housing Assembly	20	93381	Screw, Armature Mounting Sem
7	394857	Drive End Cap Assembly	21	398808	Wire, Ground
8	490421	Drive Assembly	22	492341	Armature, Magneto
9	398003	Clutch Assembly	23	491252	Decal, Label Kit
10	490467	Retainer and Pin	24	490525	Gasket Set
11	280104	Gear			
12	94288	Roll Pin			
13	93535	Screw, Sem			
14	93984	Screw, Sem			

* Includes Brush Set

SERVICE NOTES



Husqvarna Forest & Garden Co.
A Division of White Consolidated Industries
907 W. Irving Park Rd.
Itasca, IL 60143