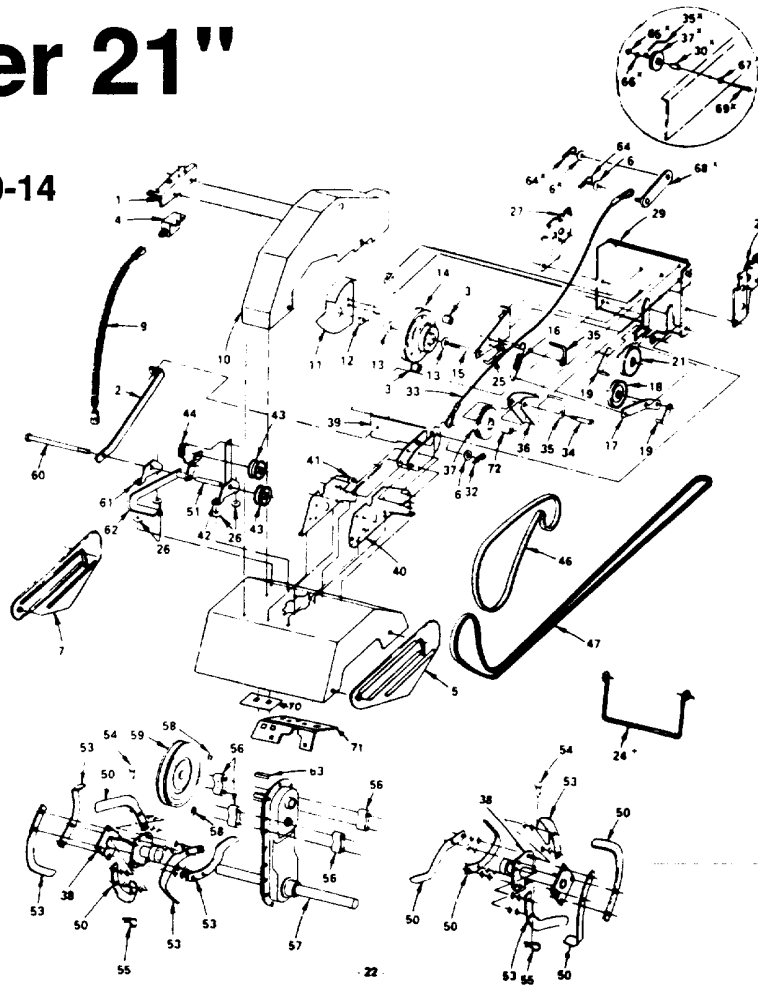
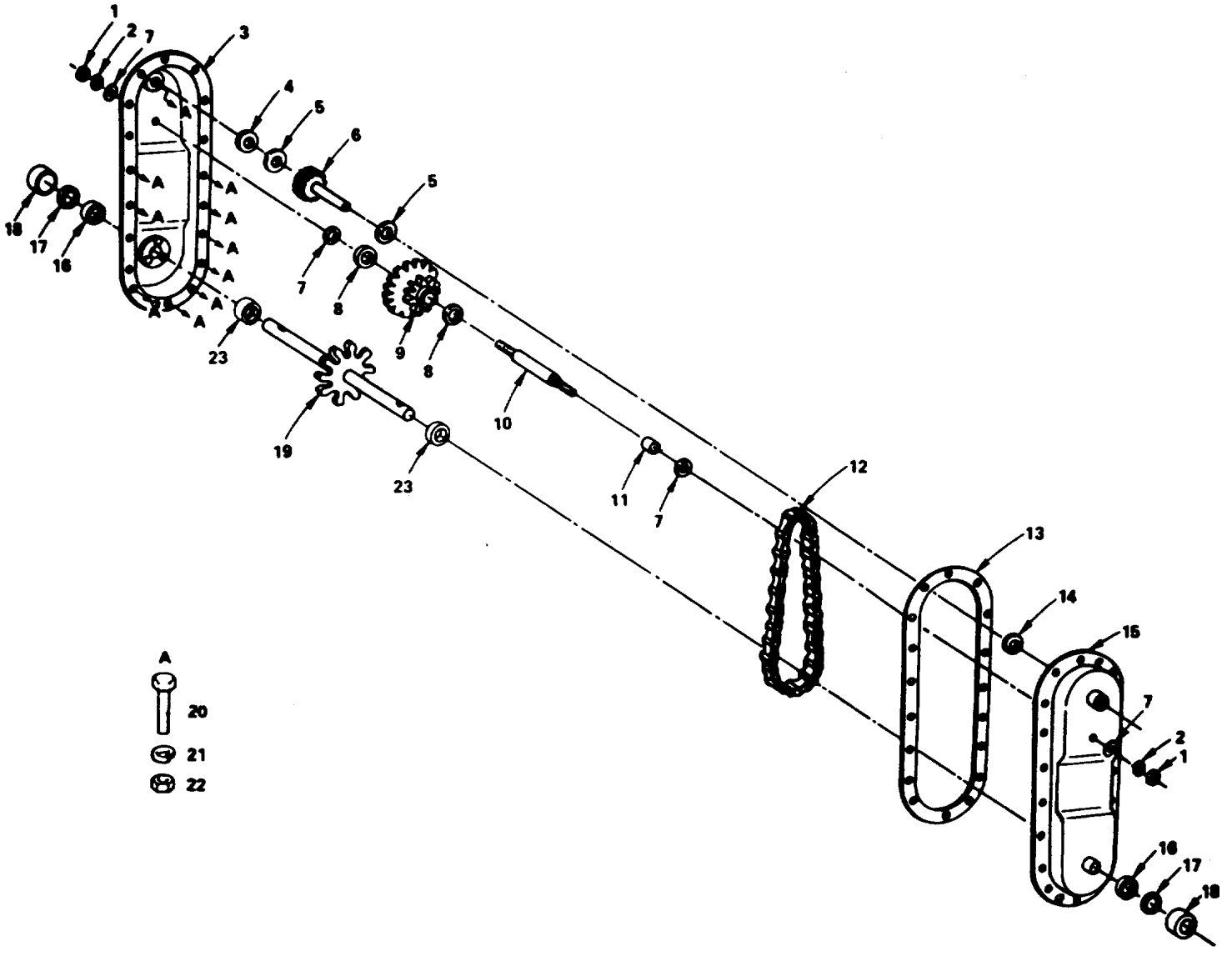


Tiller 21"

for
YTH 1120-14
YTH 142
YTH 125



| No. Part no. | Description | No. Part no. | Description |
|--------------|--------------|--------------|--|
| 1 | 532 10 52-11 | * | Bracket - Switch, Interlock |
| 2 | 532 10 51-87 | * | Support - Arm |
| 3 | 532 00 01-46 | * | Bearing - Needle |
| 4 | 532 10 44-45 | * | Switch - Intertock |
| 5 | 532 10 87-10 | * | Shield - Side, Outer, R.H. |
| 6 | | * | Washer - 13132 x 7/8 x 16Ga. |
| 7 | 532 10 87-11 | * | Shield - Side, Outer, L.H. |
| 9 | 532 10 29-93 | * | Harness - Tiller |
| 10 | 532 10 40-39 | * | Guard Assembly - Belt, Secondary |
| 11 | 532 10 40-55 | * | Guard Assembly - Belt, Pulley |
| 12 | 532 10 40-19 | * | Support-Pulley-Reduction, L.H. |
| 13 | 532 00 13-70 | * | Washer - Thrust 5/8 x 1.10 x 1/32 |
| 14 | 532 10 40-53 | * | Pulley - Assembly, Reduction w/Brg s |
| 15 | 532 10 40-52 | * | Support - Assembly - Pulley, Reduction, R.H. |
| 16 | 532 10 40-23 | * | Spring Extension |
| 17 | 532 10 40-43 | * | Arm - V-Idler |
| 18 | 532 10 40-12 | * | Pulley - V-Idler |
| 19 | 532 10 40-51 | * | Keeper Assembly - Beit, V-Idler |
| 21 | 532 00 43-71 | * | Pulley-Idler, 3-314 |
| 24 | 532 10 29-99 | * | Snubber - Belt |
| 25 | 532 12 08-03 | * | Guide-Cable |
| 26 | | * | Washer 11132 x 1 x 1, |
| 27 | 532 10 86-64 | * | Plate Assembly - Atta -t, L.H. |
| 28 | 532 10 86-63 | * | Plate Assembly - Attac -ent, R.H. |
| 29 | 532 12 35-98 | * | Plate Assembly-Attacr. -ent, Center |
| 30 | 532 10 91-35 | * | Bushing 5116x518x1/2 |
| 32 | | * | Spring - Retainer |
| 33 | 532 10 40-31 | * | Cable - LUt |
| 34 | | * | Bolt - Fin. Hex 318-16 ~ 2 |
| 35 | 532 10 40-07 | * | Guide - Cable |
| 36 | 532 10 40-10 | * | Bracket & Pulley & Cable |
| 37 | 532 10 40-06 | * | Pulley - Cable |
| 38 | 532 10 40-48 | * | Tine Assembly |
| 39 | 532 10 40-56 | * | Bar Assembly - Litt |
| 40 | 532 00 44-35 | * | Bracket - R.H. |
| 41 | 532 10 29-88 | * | Bracket - L.H. |
| 42 | 532 10 40-12 | * | Bracket Assembly - Support, Clutch |
| 43 | 532 00 91-78 | * | Pulley - Idler |
| 44 | 532 10 29-81 | * | Spring - Extension |
| 45 | 532 10 40-60 | * | Shield Assembly - Tine |
| 46 | 532 10 40-22 | * | V-Fteit - Secondary |
| 47 | 532 10 40-21 | * | V-Beit - Primary |
| 50 | 532 10 11-93 | * | Tine - R.H., 14 |
| 51 | 532 10 29-85 | * | Bushing - Pivot, Clutch |
| 53 | 532 10 11-94 | * | Tine - L.H., 14 |
| 54 | 532 00 49-29 | * | Rivet - Pan Hd. Drilled |
| 55 | | * | Clip - Hairpin |
| 56 | 532 00 44-45 | * | Spacer - Gearcase |
| 57 | 532 10 40-58 | * | Transmission Assembly |
| 58 | | * | Screw - Set Hex Sk. 511618 x 3/8 |
| 59 | 532 00 43-70 | * | Sheave - Trans. 7 |
| 60 | 532 10 29-92 | * | Boi.-Fin. Hex 3/8x16x5-1/4 |
| 61 | 532 10 29-86 | * | grackel - Support, Clutch |
| 62 | 532 10 40-41 | * | Handle Assembly Clutch |
| 63 | 532 00 26-49 | * | Key - Sr.t. 3116 x 1.125 |
| 64 | | * | Spring - Retainer |
| 65 | | * | Nut - Cn3wnlock 511618 |
| 66 | | * | Washer 11/32x314x12Ga. |
| 67 | | * | Washer 11132x114x10Ga. |
| 68 | 532 10 90-77 | * | Link Assembly - Lih |
| 69 | | * | Boit - Hex 511618x2314 |
| 70 | 532 12 08-08 | * | Plate - Tine Shield Rear |
| 71 | 532 12 08-09 | * | Plate - Tine Shield Front |
| 72 | 532 10 40-32 | * | Bushing-3v8 x518 x1 1/2 |



| No | Part no. | Description |
|----|--------------|---|
| 1 | | . Nut - Hex 3v8~16 |
| 2 | | . Lockwasher 318 |
| 3 | 532 10 40-46 | * Cover Assembly- L.H. with Bearing (Key No. 4) |
| 4 | 532 00 50-20 | Bearing- Needle |
| 5 | 532 00 13-70 | Race - Bearing, Thrust |
| 6 | 532 67 74-79 | ShaR Assembly- Input |
| 7 | 532 00 43-58 | Washer |
| 8 | 532 10 04-13 | * Bearing- Needle |
| 9 | 532 67 74-80 | Sprocket Assembly with Bearings (Key No's. 8) |
| 10 | 532 00 66-56 | * ShaR Intermediate |
| 11 | 532 10 63-89 | * Spacer |

| No, | Part no. | Description |
|-----|--------------|--|
| 12 | 532 00 44-27 | Chain - Roller 46P |
| 13 | 532 00 77-85 | Gasket- Geaicase |
| 14 | 532 00 48-95 | Bearing Needle |
| 15 | 532 10 40-47 | * Cover Assembly- R.H. with Bearing (Key No. 14) |
| 16 | 532 00 96-74 | Seal Oil |
| 17 | 532 00 96-76 | Seii - Ring, Rubber |
| 18 | 532 00 96-72 | Cup - Fommed |
| 19 | 532 67 74-82 | ShaR Assembly- Tine |
| 20 | | . Bolt Hex 511618x518 |
| 21 | | . Lockwasher 5116 |
| 22 | | . Nut Hex 5116~18 |
| 23 | 532 10 46-89 | Spacer |