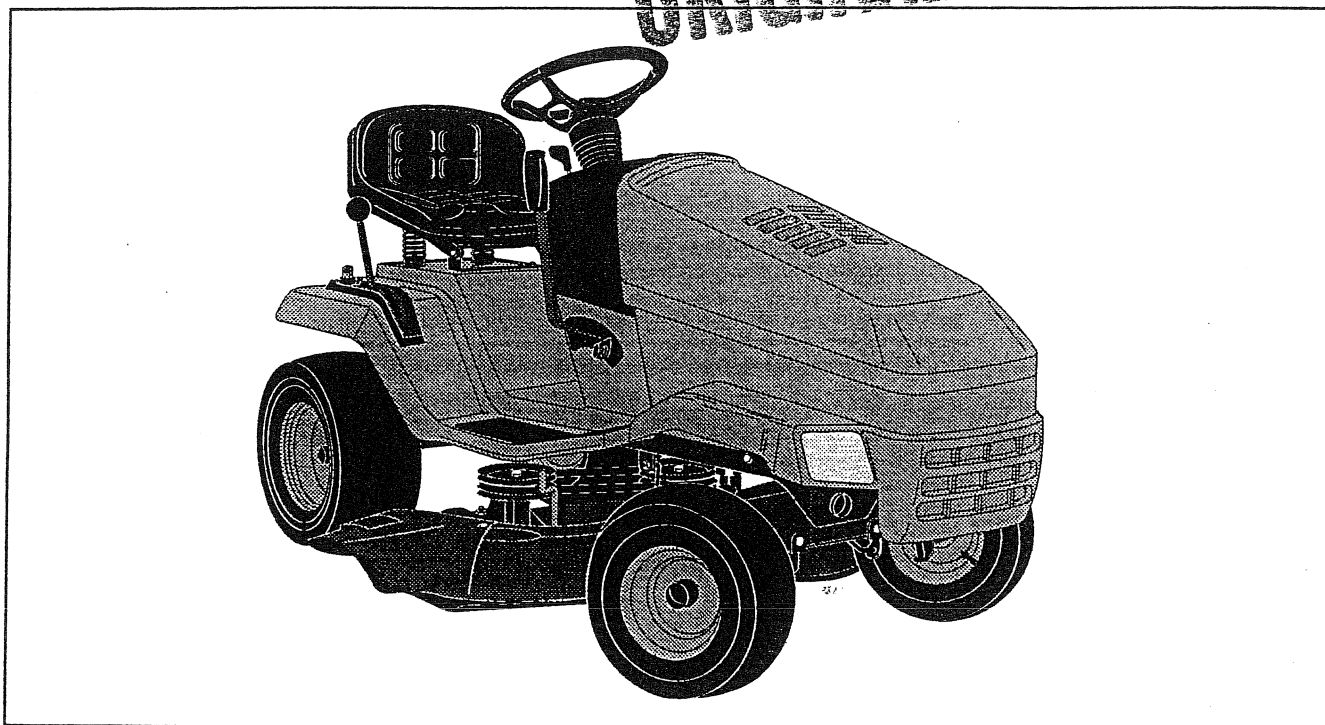


"1992"

LT 120

ORIGINAL FILE COPY



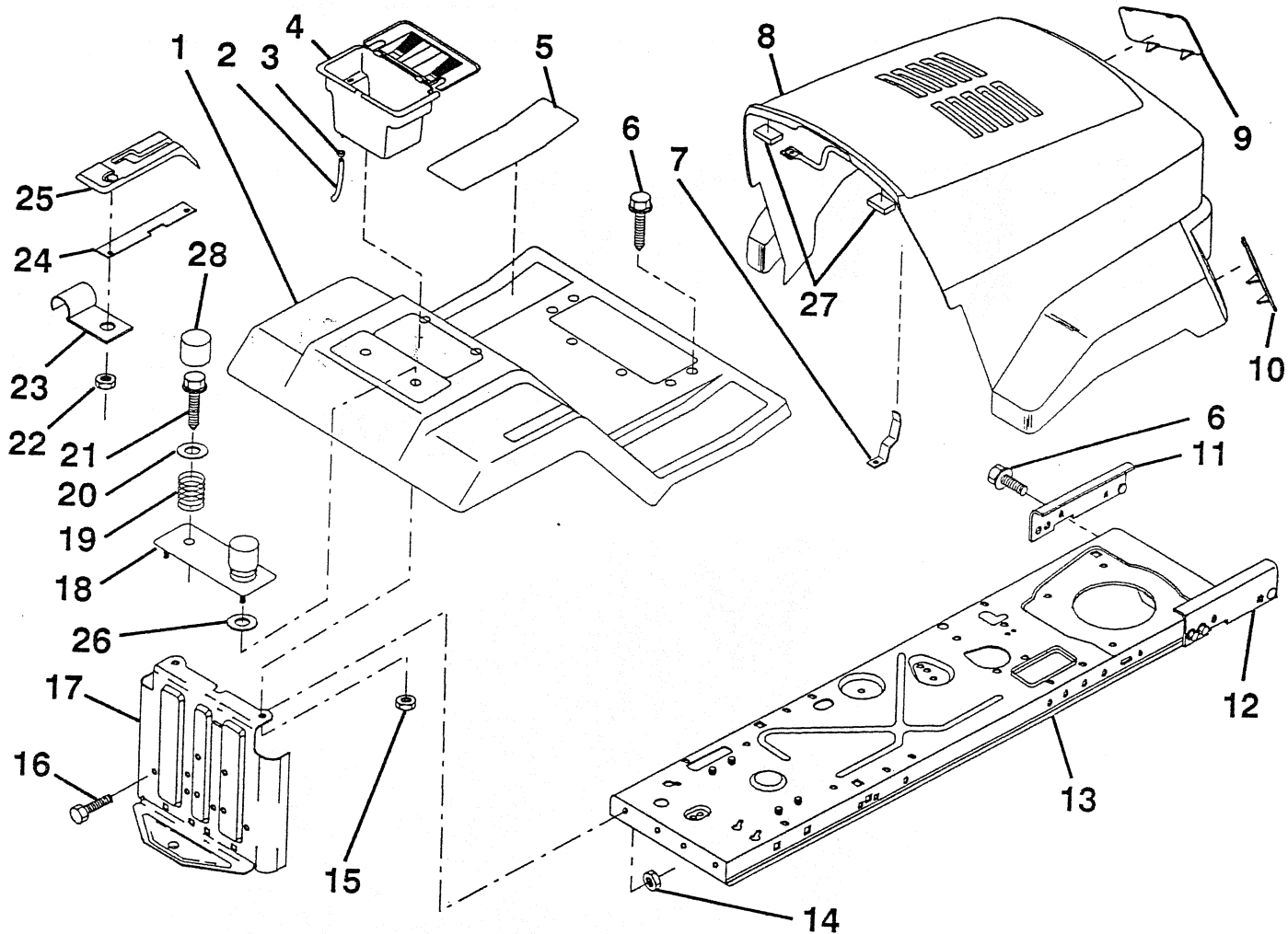
1.1992

Spare parts

Pièces détachées

REPAIR PARTS

12 HP 36" TRACTOR - - LT120, PRODUCT NO. 954 00 04-12 (HU1236B)
FENDER / CHASSIS



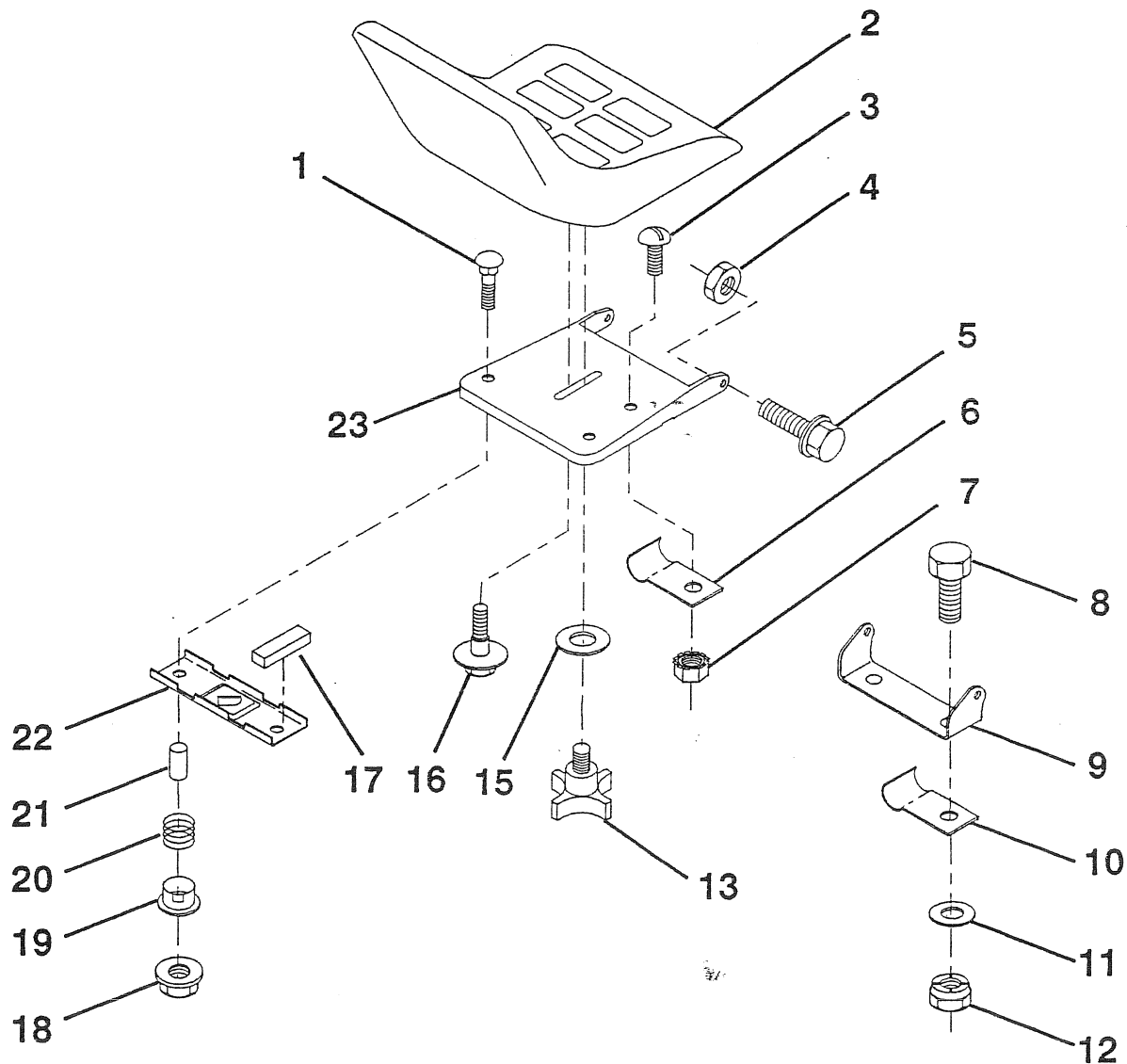
KEY NO.	PART NO.	DESCRIPTION	KEY NO.	PART NO.	DESCRIPTION
1	532125141	Fender/Footrest	15	873680400	Nut, Crownlock 1/4-20 UNC
2	532105687	Tube, Battery Drain	16	874760512	Bolt, Hex Hd. 5/16-18 UNC x 3/4
3	532109596	Clamp, Hose	17	532127880	Drawbar
4	532129965	Case, Battery	18	532125142	Plate, Asm. Battery
5	532126700	Pad, Footrest	19	532124181	Spring, Compression, Seat
6	817490512	Screw, Hex Wsh. Thrdrol. 5/16-18 x 3/4	20	819132012	Washer 13/32 x 1-1/4 x 12 Ga.
7	532131318	Latch, Hood	21	817490612	Screw Self Tapping
8	532131053	Hood/Grill Asm. (Includes Key Nos. 9 and 10)	22	532124346	Nut, Self-Threading, Washer Head 3/16
9	532130986	Lens, L.H.	23	532126470	Clip, Insulated
10	532130985	Lens, R.H.	24	532124307	Bar, Shift Lock
11	532128449	Bracket, Asm. Pivot Frame, L.H.	25	532126995	Console, Shift Control
12	532128808	Bracket, Asm. Pivot Frame, R.H.	26	819091413	Washer 9/32 x 7/8 x 13 Ga.
13	532133384	Assembly, Frame	27	532126938	Bumper, Hood
14	873680500	Nut, Crownlock 5/16-18	28	532124238	Cap, Spring, Seat

HARDWARE SHOWN LARGER FOR EASIER IDENTIFICATION

REPAIR PARTS

12 HP 36" TRACTOR - - LT120, PRODUCT NO. 954 00 04-12 (HU1236B)

SEAT



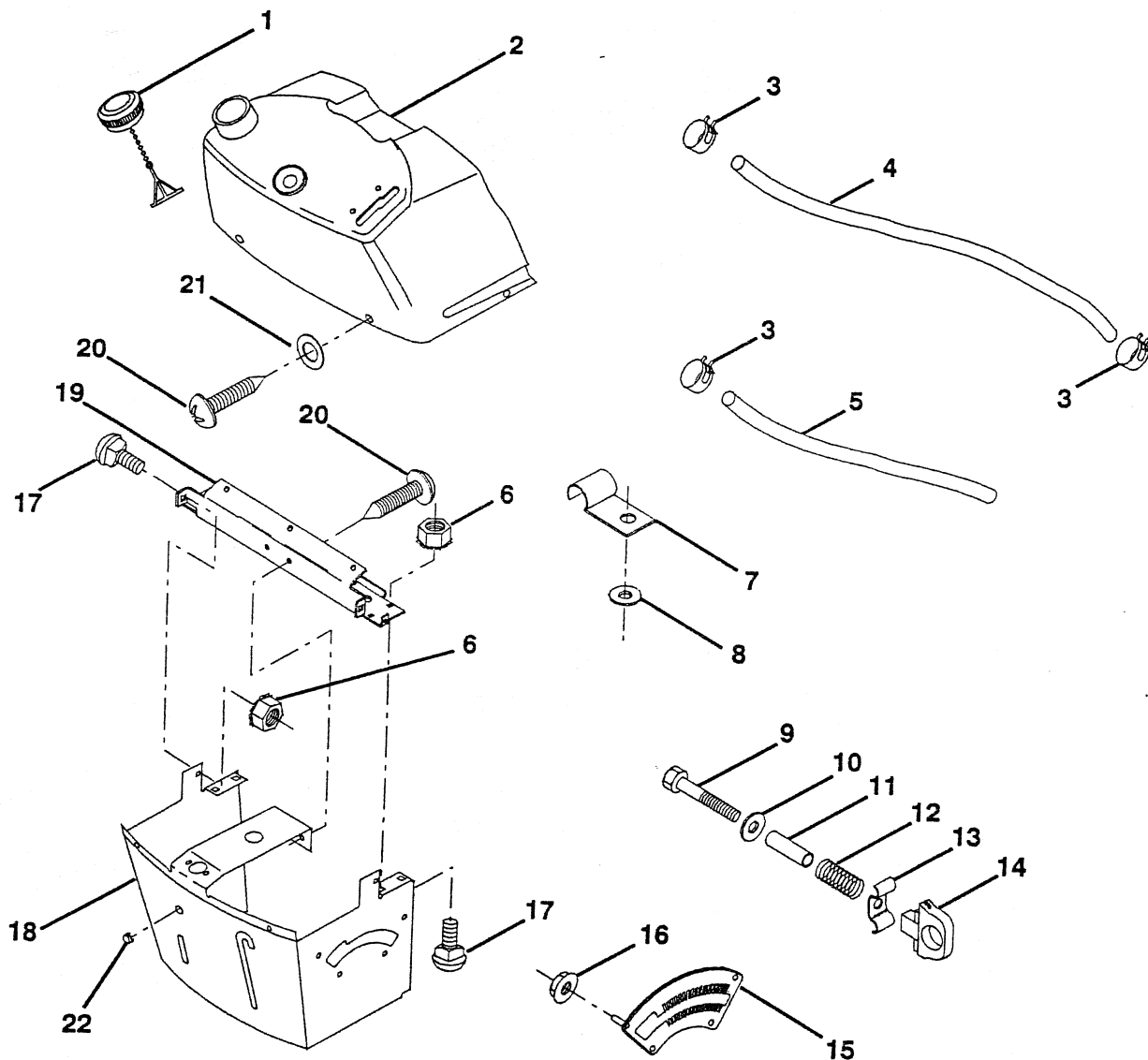
KEY NO.	PART NO.	DESCRIPTION	KEY NO.	PART NO.	DESCRIPTION
1	872050411	Bolt, Carriage 1/4-20 x 1-3/8	12	873680600	Nut, Crownlock 3/8-16 UNC
2	532127398	Seat	13	532120068	Knob, Seat 1/2-13 UNC
3	874641008	Screw, Slotted Pan Head #10-32 x 1/2	15	819171912	Washer, 17/32 x 1-3/16 x 12 Ga.
4	873680500	Nut, Crownlock 5/16-18	16	532127018	Bolt, Shoulder
5	532105529	Bolt, Shoulder 5/16-18 UNC	17	532121251	Strip, Foam
6	532124967	Clip, Insulated	18	532123976	Nut, Hex Large Flange Lock
7	873951000	Nut, Keps #10-32 UNF	19	532121248	Bushing, Snap
8	874760612	Bolt, Fin Hex 3/8-16 UNC x 3/4	20	532121250	Spring, Compression
9	532126656	Bracket, Pivot Seat	21	532121249	Spacer, Split 28 Id. x .88 Lg.
10	532126471	Clip, Insulated	22	532121246	Bracket, Switch, Mounting
11	819133210	Washer 12/32 x 2 x 10 Ga.	23	532131451	Pan, Seat

HARDWARE SHOWN LARGER FOR EASIER IDENTIFICATION

REPAIR PARTS

12 HP 36" TRACTOR - - LT120, PRODUCT NO. 954 00 04-12 (HU1236B)

DASH



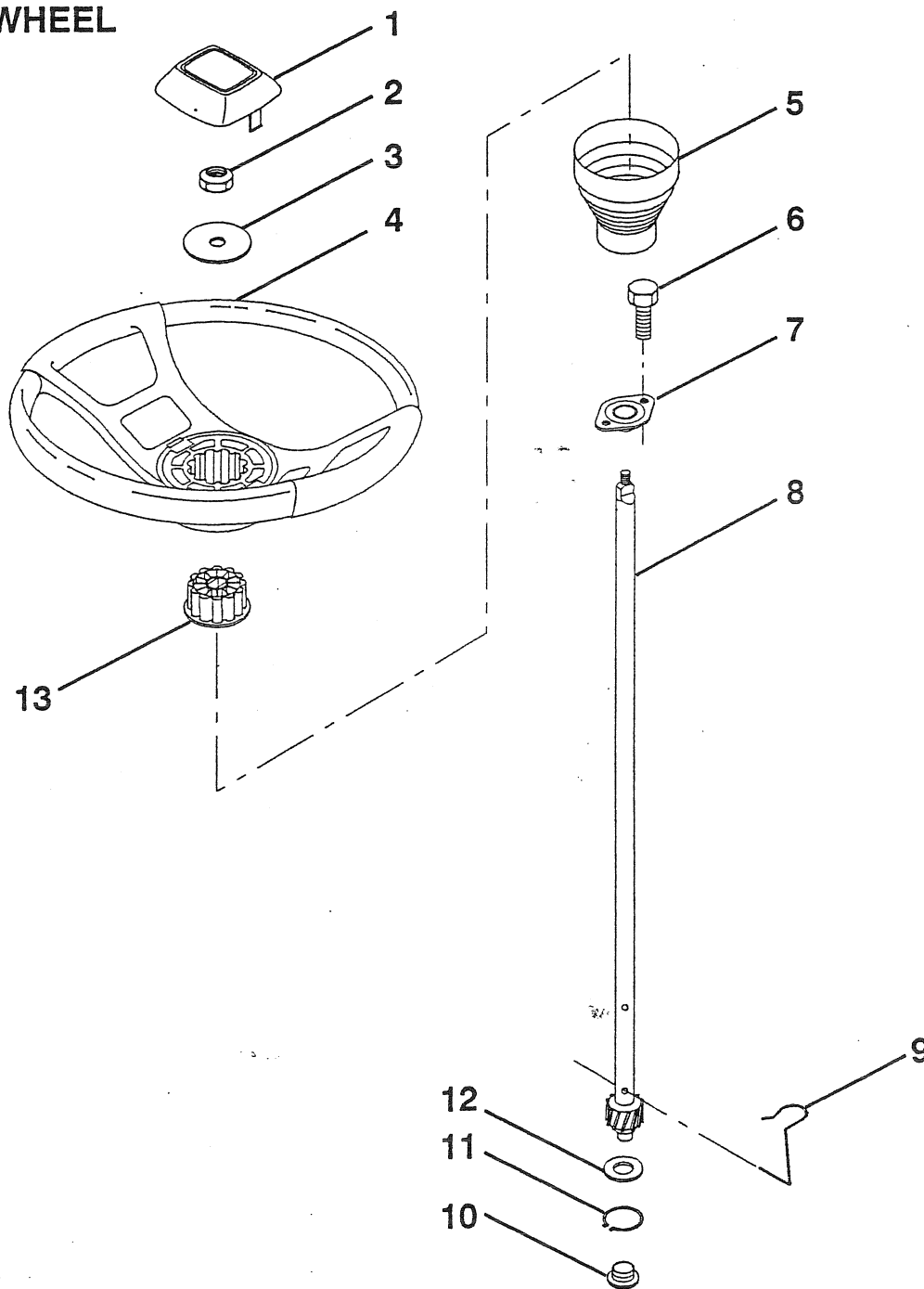
KEY NO.	PART NO.	DESCRIPTION	KEY NO.	PART NO.	DESCRIPTION
1	532127399	Cap, Fuel	12	532003720	Spring
2	532130916	Assembly, Dash & Fuel Tank	13	532126450	Clip, Height Adjustment
3	532123487	Clamp, Hose	14	532126115	Knob, Height Stop
4	532008544	Line, Fuel	15	532122023	Adjustment, Quadrant Height
5	532008548	Line, Fuel	16	532124346	Nut, Self-Threading 3/16-18
6	873510400	Nut, Hex, Keps 1/4-20	17	872110404	Bolt, Carriage 1/4-20 x 1/2 Gr. 5
7	532124996	Clip, Fuel Line	18	532130745	Support Assembly, Dash
8	819091216	Washer 9/32 x 3/4 x 16 Ga.	19	532134744	Brace, Cross
9	874760428	Bolt, Hex, Fin 1/4-20 x 1-3/4	20	818000408	Screw 1/4-20 x 1/2 SLFTTPG
10	819091413	Washer 11/32 x 11/16 x 16 Ga.	21	819090816	Washer 9/32 x 1/2 x 16 Ga.
11	532121249	Spacer, Split	22	532134014	Plug Dome

HARDWARE SHOWN LARGER FOR EASIER IDENTIFICATION

REPAIR PARTS

12 HP 36" TRACTOR - - LT120, PRODUCT NO. 954 00 04-12 (HU1236B)

STEERING WHEEL

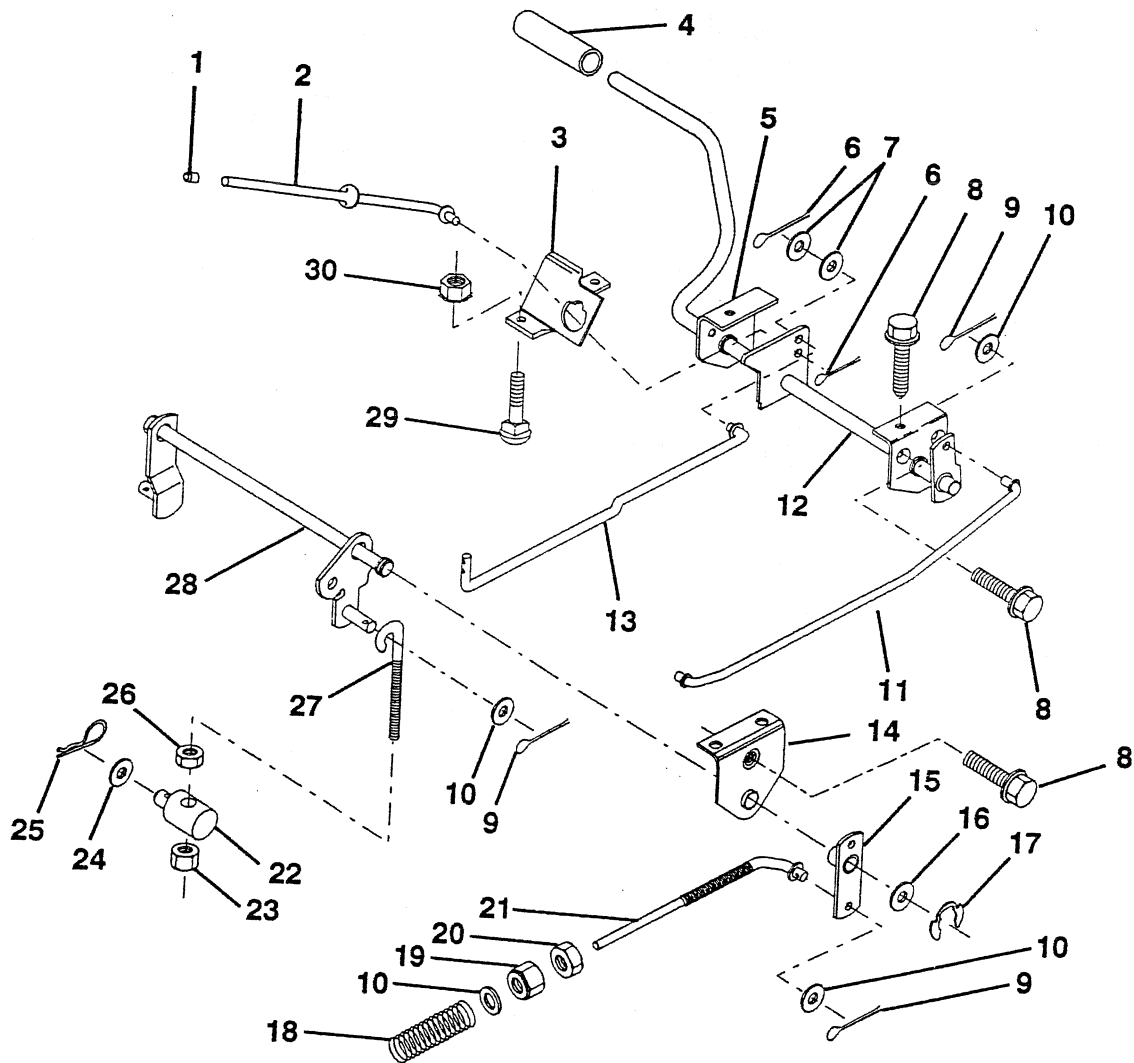


KEY NO.	PART NO.	DESCRIPTION	KEY NO.	PART NO.	DESCRIPTION
1	532124416	Insert, Wheel, Steering	8	532123651	Shaft, Steering
2	532124701	Nut, Lock 3/8-24 UNF	9	532124210	Clip, Steering
3	819133808	Washer 12/32 x 2-3/8 x 8 Ga.	10	532123438	Bushing, Lower, Steering
4	532124415	Wheel, Steering	11	812000045	Ring, Retaining
5	532127396	Sleeve, Steering	12	819211616	Washer 21/32 x 1 x 16 Ga.
6	817431008	Screw, Hex #10-16 x 1/2 TY-B	13	532104820	Adaptor, Wheel, Steering
7	532102803	Bushing, Steering			

HARDWARE SHOWN LARGER FOR EASIER IDENTIFICATION

REPAIR PARTS

12 HP 36" TRACTOR - - LT120, PRODUCT NO. 954 00 04-12 (HU1236B) BRAKE / REAR MOWER LIFT ASSEMBLY



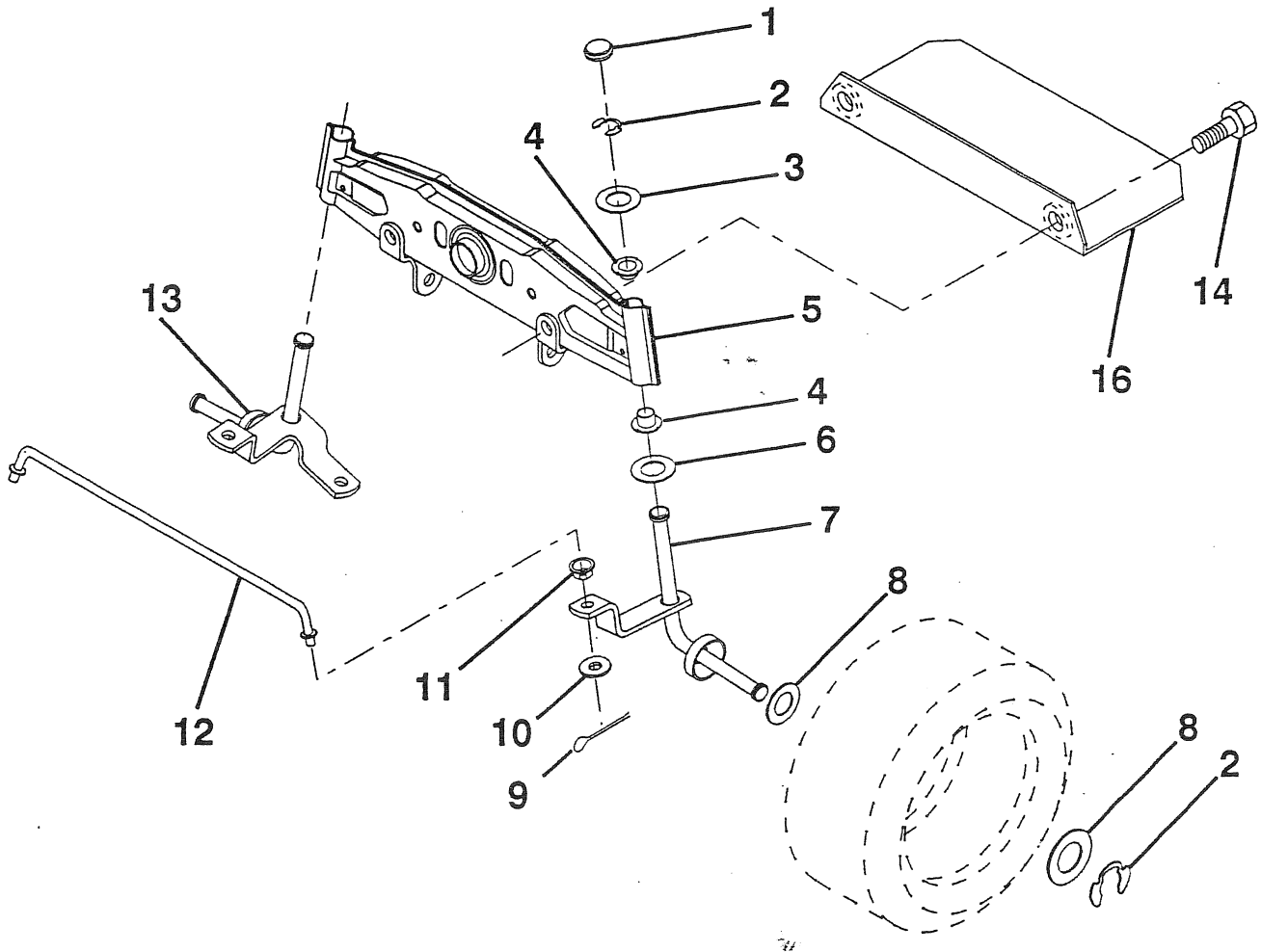
KEY NO.	PART NO.	DESCRIPTION	KEY NO.	PART NO.	DESCRIPTION
1	532071673	Cap, Plunger	16	819251816	Washer 25/32 x 1-1/8 x 16 Ga.
2	532123436	Rod, Parking Brake	17	812000034	Ring, Klip
3	532123437	Bracket, Parking Brake	18	532106888	Spring, Brake Rod
4	532008156	Cover, Pedal	19	873800600	Locknut, Hex w/Washer Insert 3/8-16 UNC
5	532122504	Bracket, Clutch/Brake Pedal, L.H.	20	873350600	Nut, Hex, Jam 3/8-16 UNC
6	876020312	Pin, Cotter 3/32 x 3/4	21	532131460	Rod, Rear Brake
7	819131016	Washer 13/32 x 5/8 x 16 Ga.	22	532127378	Trunnion, Lift
8	817490508	Screw, Hex, Thd. Roll. 5/16-18 x 1/2	23	873680600	Nut, Crownlock 3/8-16 UNC
9	876020412	Pin, Cotter 1/8 x 3/4	24	819132012	Washer 13/32 x 1-1/4 x 12 Ga.
10	819131316	Washer 13/32 x 13/16 x 16 Ga.	25	532124961	Spring, Retainer
11	532123543	Rod, Brake Front	26	873930600	Nut, Centerlock 3/8-16 UNC
12	532133483	Assembly, Clutch/Brake Pedal	27	532127369	Link, Threaded
13	532123394	Rod, Clutch	28	532127358	Assembly, Rear Mower Lift
14	532121978	Bracket, Lift, Shaft	29	872110506	Bolt, Carriage 5/16-18 UNC x 3/4
15	532133332	Assembly, Brake, Pivot, Arm	30	873510500	Nut, Keps 5/16-16 UNC

HARDWARE SHOWN LARGER FOR EASIER IDENTIFICATION

REPAIR PARTS

12 HP 36" TRACTOR - - LT120, PRODUCT NO. 954 00 04-12 (HU1236B)

FRONT AXLE



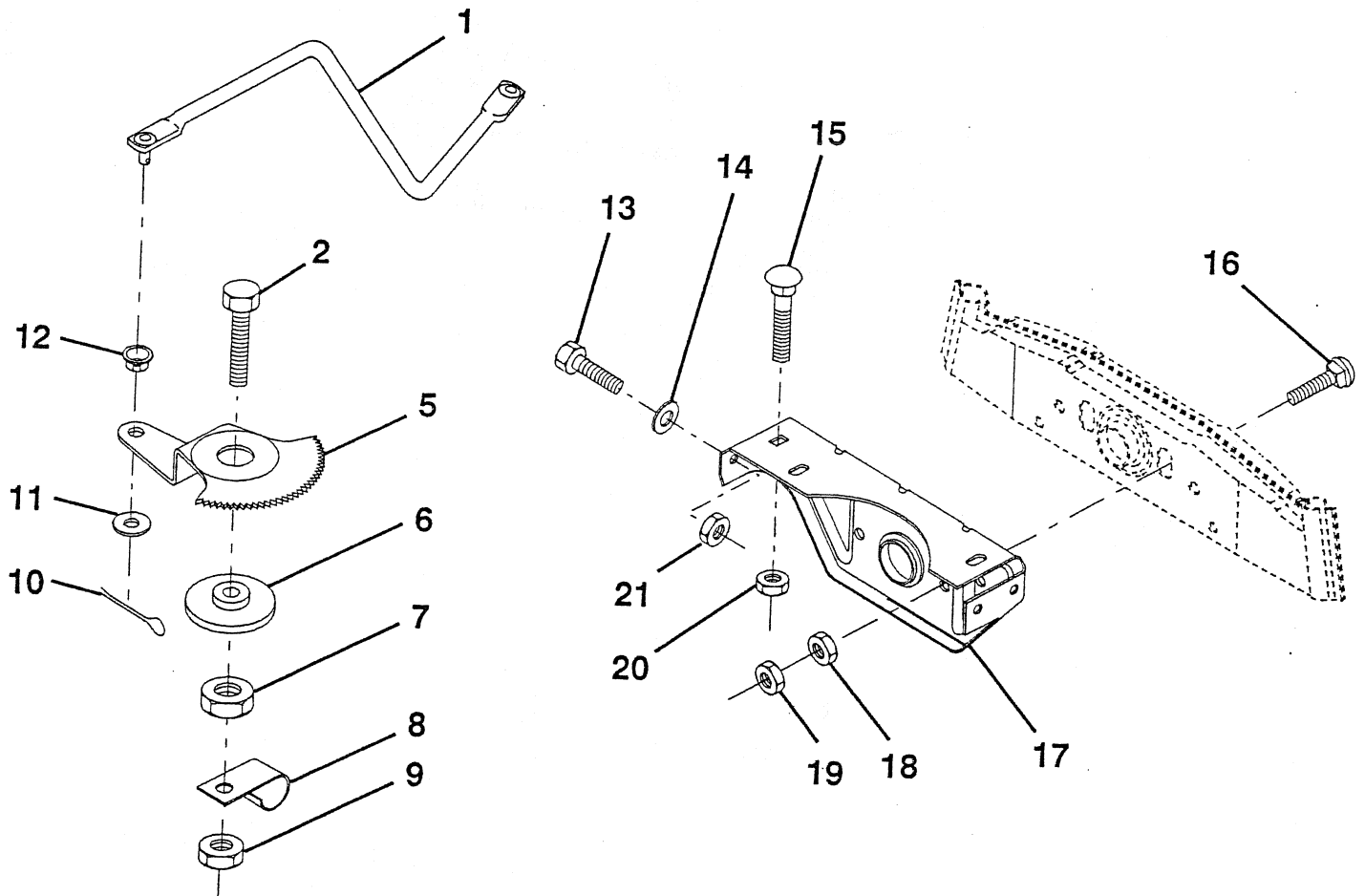
KEY NO.	PART NO.	DESCRIPTION	KEY NO.	PART NO.	DESCRIPTION
1	532121232	Cap, Spindle	8	532121749	Washer 25/32 x 1-1/4 x 16 Ga.
2	812000029	Ring, Clip	9	876020412	Pin, Cotter 1/8 x 3/4
3	532121748	Washer 25/32 x 1-5/8 x 16 Ga.	10	819131316	Washer 13/32 x 13/16 x 16 Ga.
4	532121922	Nyliner	11	532126847	Bushing
5	532128543	Axle, Front	12	532121924	Rod, Tie
6	532124931	Bearing, Thrust	13	532121916	Spindle, L.H. Asm.
7	532121919	Spindle, R.H. Asm.	14	817490608	Screw Thdrol. 3/8-16 x 1/2
			16	532129962	Shield Heat

HARDWARE SHOWN LARGER FOR EASIER IDENTIFICATION

REPAIR PARTS

12 HP 36" TRACTOR -- LT120, PRODUCT NO. 954 00 04-12 (HU1236B)

SECTOR GEAR / AXLE SUPPORT



KEY NO.	PART NO.	DESCRIPTION
1	532132566	Link, Drag
2	874780828	Bolt, Fin Hex 1/2-13 x 1-3/4
5	532121926	Gear, Sector
6	532121927	Bushing
7	873030800	Nut, Heavy Hex Top Lock 1/2-13 UNC
8	532126472	Clip, Insulated
9	873680800	Nut, Crownlock 3/8-16
10	876020412	Pin, Cotter 1/8 x 3/4
11	819131316	Washer, 13/32 x 13/16 x 16 Ga.

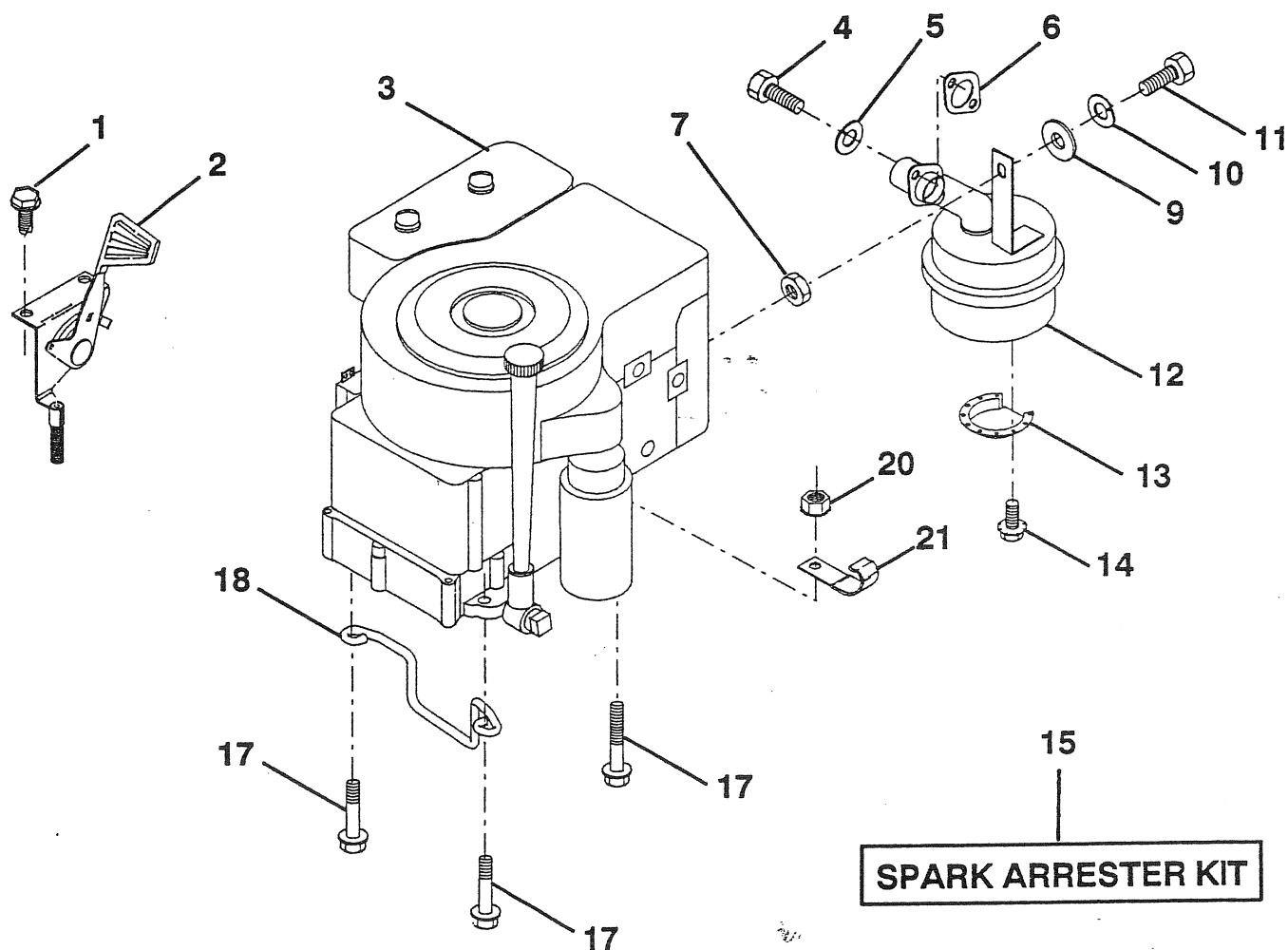
KEY NO.	PART NO.	DESCRIPTION
12	532126847	Bushing
13	874760516	Bolt, Hex Hd. 5/16-18 UNC x 1
14	819111416	Washer 11/32 x 7/8 x 16 Ga.
15	872110606	Bolt, Carriage 3/8-16 UNC x 3/4
16	872140622	Bolt, Carriage
17	532121912	Support, Front Axle
18	873220600	Nut, Fin Hex 3/8-16 UNC
19	873930600	Nut, Centerlock 3/8-16 UNC
20	873680600	Nut, Crownlock 3/8-16 UNC
21	873680500	Nut, Crownlock 5/16-18

HARDWARE SHOWN LARGER FOR EASIER IDENTIFICATION

REPAIR PARTS

12 HP 36" TRACTOR -- LT120, PRODUCT NO. 954 00 04-12 (HU1236B)

ENGINE / THROTTLE

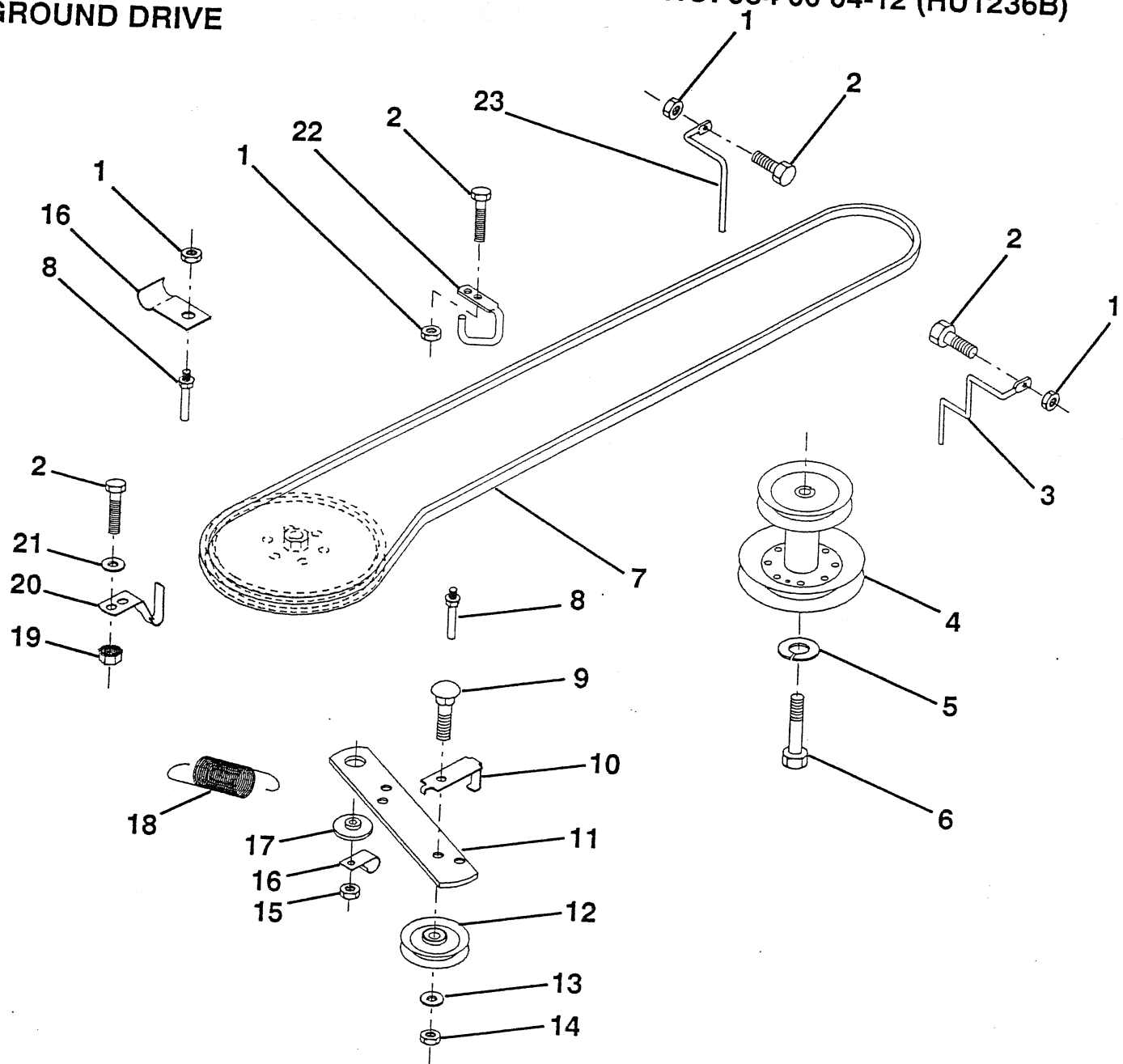


KEY NO.	PART NO.	DESCRIPTION	KEY NO.	PART NO.	DESCRIPTION
1	817720408	Screw, Hex Thd. Cut 1/4-20 x 1/2	11	874780416	Bolt, Hex Fin. 1/4-20 UNC x 1
2	532132521	Control, Throttle	12	532124097	Muffler
3	-----	Engine, Briggs and Stratton Model No. 283707	13	532101326	Deflector, Muffler
4	871070512	Screw, Hex, Cap 5/16-18 x 3/4	14	817030808	Screw, Spiderlock Hex Hd. 8 x 1/2 ABTPS
5	810040500	Washer, Lock Heavy Helical Spring 5/16	15	532121851	Arrester, Spark (Optional equipment)
6	532125593	Gasket, Exhaust	17	817490624	Screw, Hex Washer Head, Thdrol. 3/8-16 x 1-1/2
7	873220500	Nut Fin Hex 5/16-18	18	532126636	Keeper, Ground Drive Belt
9	819101216	Washer 5/16 x 3/4 x 16	20	873510600	Nut, Keps 3/8-16
10	810040400	Washer, Lock Heavy Helical Spring 1/4	21	532124996	Clip, Fuel Line

HARDWARE SHOWN LARGER FOR EASIER IDENTIFICATION

REPAIR PARTS

12 HP 36" TRACTOR -- LT120, PRODUCT NO. 954 00 04-12 (HU1236B)
GROUND DRIVE



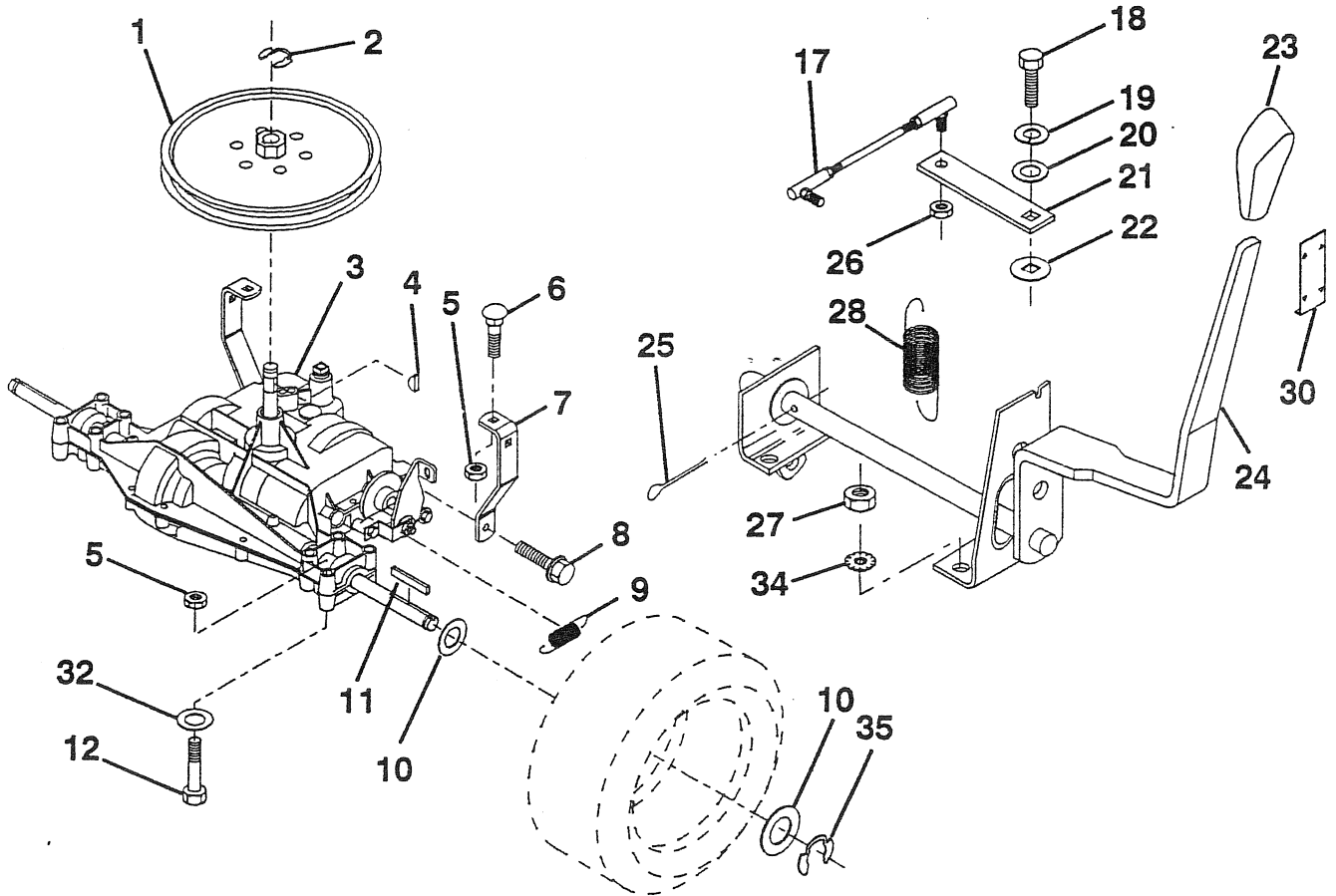
KEY NO.	PART NO.	DESCRIPTION	KEY NO.	PART NO.	DESCRIPTION
1	873680500	Nut, Crownlock 5/16-18	13	819131316	Washer 13/32 x 13/16 x 16 Ga.
2	874760512	Bolt, Hex Hd 5/16-18 UNC x 3/4	14	873930600	Nut, Centerlock 3/8-16 UNC
3	532131205	Keeper, Mower Drive, R. H.	15	873680600	Nut, Crownlock 3/8-16 UNC
4	532134828	Pulley, Engine	16	532126471	Clip, Insulated
5	810040700	Washer, Lock 7/16	17	532122052	Spacer, Retainer
6	871170744	Bolt, Fin. Hex 7/16-20	18	532131459	Spring Extension
7	532126520	Traction, V-Belt Drive	19	873510500	Nut, Keps 5/16-18 UNC
8	532123405	Keeper, T/A Ground Drive Belt	20	532123891	Keeper, T/A Ground Drive Belt
9	872140612	Bolt, Carr. 3/8-16 UNC x 1-1/2	21	819111016	Washer 11/32 x 5/8 x 16 Ga.
10	532123396	Keeper, Belt Ground Drive Idler	22	532123404	Keeper, Frame Ground Drive Belt
11	532123395	Arm, Ground Drive Clutch	23	532131204	Keeper, Mower Drive, L. H.
12	532004859	Idler, Flat			

HARDWARE SHOWN LARGER FOR EASIER IDENTIFICATION

REPAIR PARTS

12 HP 36" TRACTOR - - LT120, PRODUCT NO. 954 00 04-12 (HU1236B)

TRANSAXLE



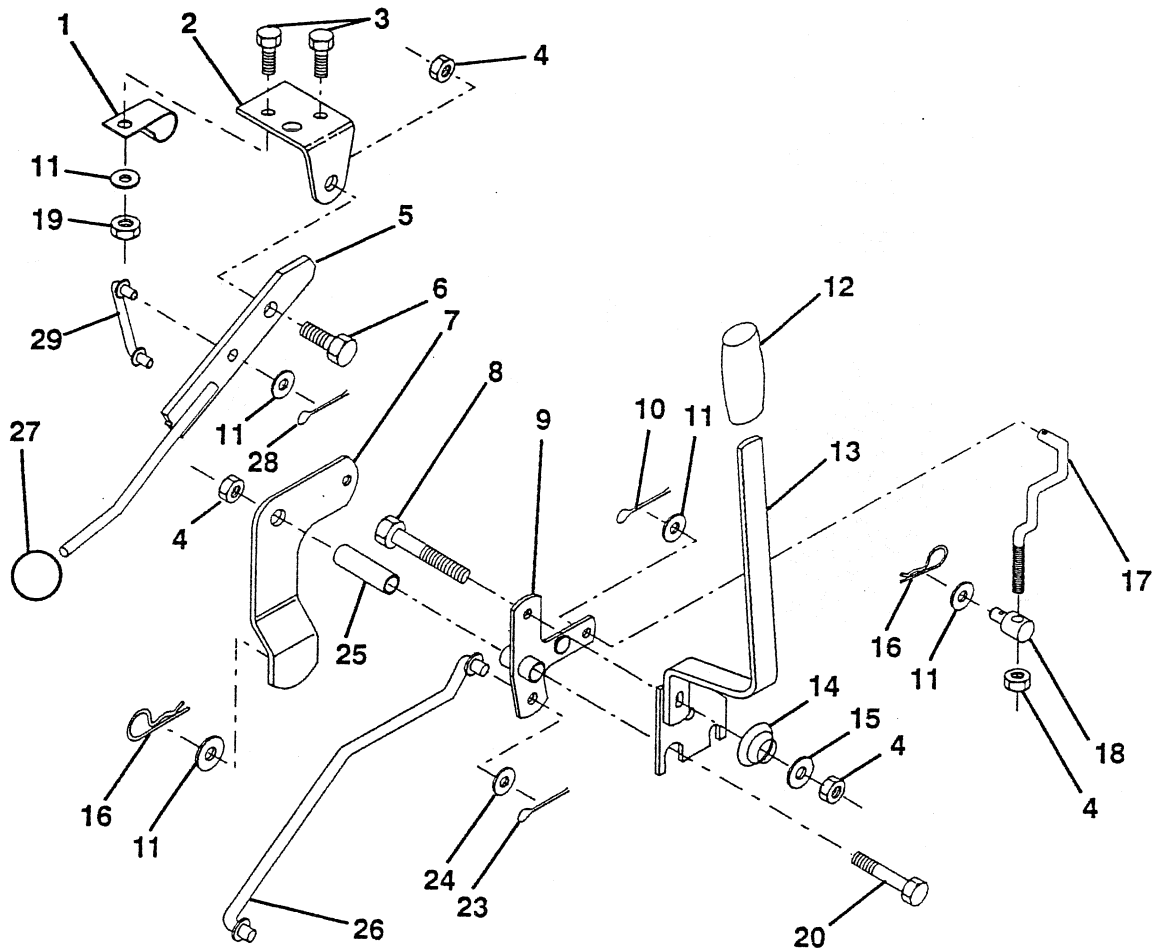
KEY NO.	PART NO.	DESCRIPTION	KEY NO.	PART NO.	DESCRIPTION
1	532123385	Pulley	19	810040400	Washer, Lock 1/4
2	812000028	Ring, Retainer	20	819091210	Washer 9/32 x 3/4 x 10 Ga.
3	532127054	Transaxle, 6 Speed, Peerless Model #930-028	21	532126292	Arm, Shift
4	532125096	Key, Woodruff #9	22	532105701	Washer, Shift Plate
5	873680500	Nut, Crownlock 5/16-18	23	532122011	Knob, Golf Club
6	872140506	Bolt, Carriage 5/16-18 UNC x 3/4	24	532128202	Handle, Asm. Shift
7	532123378	Strap, Torque	25	876020416	Pin, Cotter 1/8 x 1
8	817490512	Screw 5/16-18 x 3/4	26	873810500	Nut, Hex Nylon
9	532110422	Spring, Brake	27	873510500	Nut, Keps 5/16-18
10	532121749	Washer 25/32 x 1-1/4 x 16 Ga.	28	532128085	Extension, Spring
11	532123583	Key, Square	30	532123692	Retainer, Knob
12	874760540	Bolt Fin Hex 5/16-18 UNC x 2-1/2	32	819111116	Washer
17	532126293	Link, Shift	34	811050500	Washer, Ext., Tooth, Lock 5/16
18	871040412	Bolt, Fin Hex 1/4-28 UNF x 3/4 Gr. 8	35	812000001	E-Ring

HARDWARE SHOWN LARGER FOR EASIER IDENTIFICATION

REPAIR PARTS

12 HP 36" TRACTOR -- LT120, PRODUCT NO. 954 00 04-12 (HU1236B)

MOWER LIFT LEVER



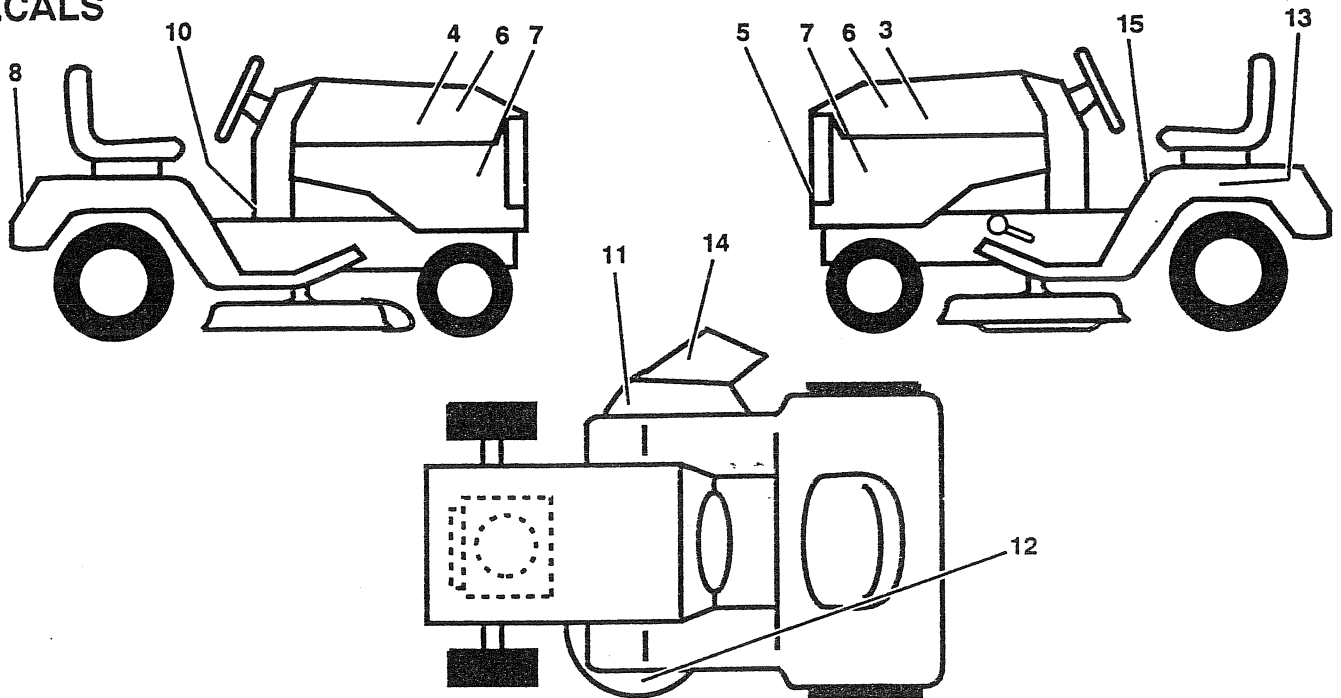
KEY NO.	PART NO.	DESCRIPTION	KEY NO.	PART NO.	DESCRIPTION
1	532126470	Clip, Insulated	15	819131212	Washer 13/32 x 3/4 x 12 Ga.
2	532122018	Bracket, Mower Clutch	16	532124961	Retainer, Spring
3	874780408	Bolt, Fin. Hex 1/4-20 UNC x 1/2 Gr. 5	17	532127359	Link, Front Lift
4	873680600	Nut, Crownlock 3/8-16 UNC	18	532133205	Trunnion, Threaded 3/8-16
5	532123417	Assembly, Clutch Lever	19	873680400	Nut, Crownlock 1/4-20
6	532106451	Bolt, Shoulder	20	874760644	Bolt, Fin. Hex 3/8-16 UNC x 2-3/4
7	532135371	Assembly, Mower Clutch Arm	23	876020416	Pin, Cotter 1/8 x 1
8	874760636	Bolt, Hex 3/8-16 UNC x 2-1/4	24	819171616	Washer 17/32 x 1 x 16 Ga.
9	532121930	Assembly, Bracket Lift	25	532121933	Tube, Spacer
10	876020412	Pin, Cotter 1/8 x 3/4	26	532121934	Rod, Mower Lift
11	819131316	Washer 13/32 x 13/16 x 16 Ga.	27	532121466	Knob
12	532122027	Grip, Handle	28	876020312	Pin, Cotter 3/32 x 3/4
13	532127028	Assembly, Lift Handle	29	532131655	Link, Mower Clutch
14	532123496	Spring, Compression			

HARDWARE SHOWN LARGER FOR EASIER IDENTIFICATION

REPAIR PARTS

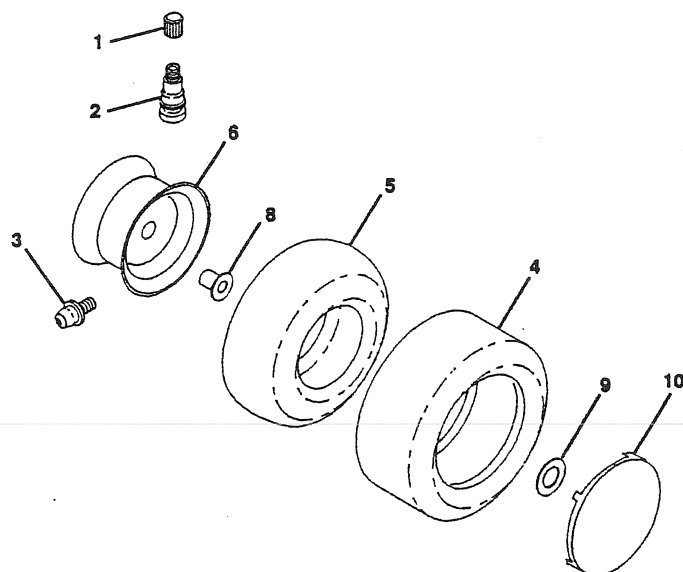
12 HP 36" TRACTOR -- LT120, PRODUCT NO. 954 00 04-12 (HU1236B)

DECALS



KEY NO.	PART NO.	DESCRIPTION	KEY NO.	PART NO.	DESCRIPTION
3	532131580	Decal, Hood, L. H.	11	532123658	Decal, Warning, Cut Finger, (English/French)
4	532131579	Decal, Hood, R. H.	12	532109820	Decal, Rotating Blades, (English/French)
5	532125989	Decal, Logo, Grill	13	532121549	Decal, Caution, Battery
6	532126035	Decal, Speed, Side Panel	14	532123649	Decal, Caution, Deflector, (English/French)
7	532131661	Decal, Model, Hood	15	532133795	Decal, Caution
8	532131582	Decal, Logo, Fender	--	532133072	Manual, Operator's (English)
10	532123637	Decal, Operating Instruction (English/French)	--	532133073	Manual, Operator's (French)

WHEELS & TIRES

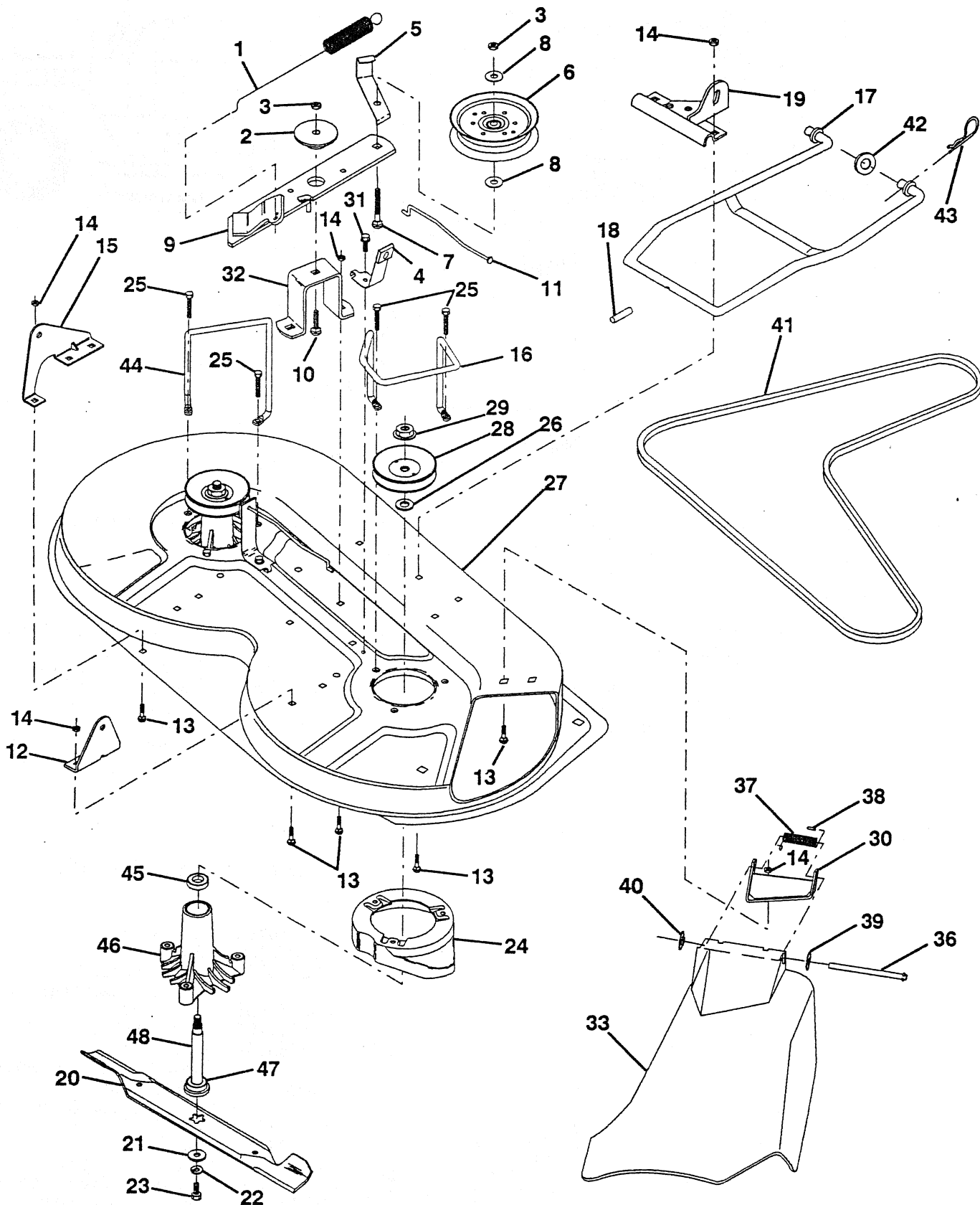


KEY NO.	PART NO.	DESCRIPTION
1	532059192	Cap, Valve
2	532065139	Stem, Valve
3	532124957	Fitting, Grease (Front Wheels Only)
4	532132696	Tire, Front
	532132703	Tire, Rear
5	532059904	Tube, Front (Optional Service Items Only)
	532008134	Tube, Rear (Optional Service Items Only)
6	532124972	Rim, Front
	532124973	Rim, Rear
8	532124959	Bearing, Flange
9	532121748	Washer 25/32 x 1-5/8 x 16 Ga.
10	532124578	Cover, Wheel, Rear
	532124577	Cover, Wheel, Front

REPAIR PARTS

12 HP 36" TRACTOR -- LT120, PRODUCT NO. 954 00 04-12 (HU1236B)

MOWER DECK



REPAIR PARTS

12 HP 36" TRACTOR - - LT120, PRODUCT NO. 954 00 04-12 (HU1236B)

MOWER DECK

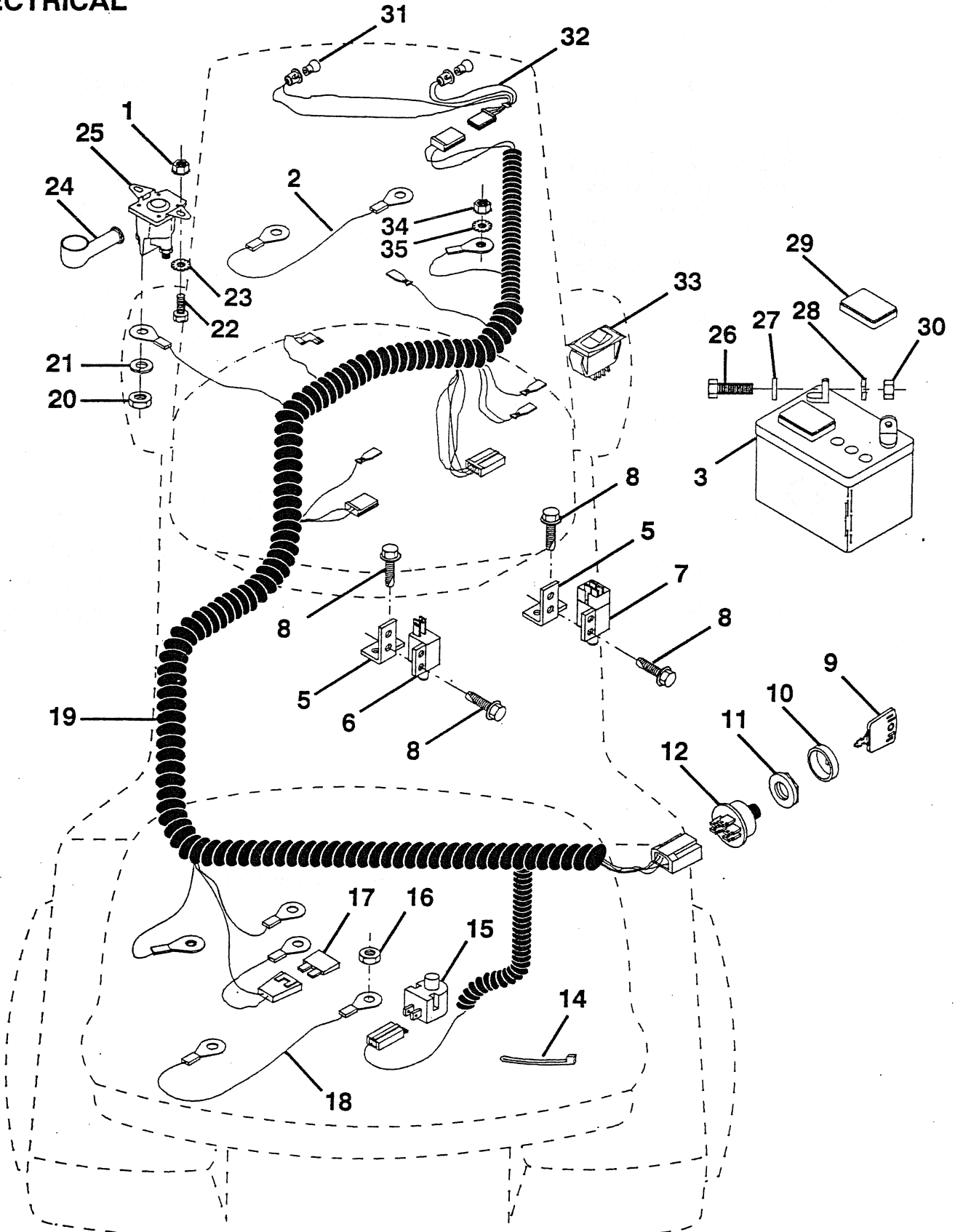
KEY NO.	PART NO.	DESCRIPTION	KEY NO.	PART NO.	DESCRIPTION
1	532127743	Spring, Mower Clutch	26	532129963	Washer .150 Thk.
2	532122052	Spacer, Retainer	27	532129983	Deck Assembly
3	873680600	Nut, Crownlock	28	532129207	Pulley, Mandrel
4	532130840	Brake Asm.	29	873050900	Nut, Flangelock 9/16
5	532131251	Guide, Belt Idler	30	532126361	Bracket, Asm. Deflector
6	532121316	Pulley, Flat Idler	31	817490508	Screw, Hex Wsh. Thdrol. 5/16-18 x 1/2
7	872110616	Bolt, Carr. 3/8-16 x 1-3/4 Gr. 5	32	532122051	Arm, Support Idler Mower
8	819131410	Washer 13/21 x 7/8 x 10 Ga.	33	532131560	Deflector
9	532127744	Arm Asm., Idler Mower	36	532121980	Rod, Hinge
10	872110608	Bolt, Carriage 3/8-16 x 1	37	532123713	Spring, Torsion Deflector
11	532130841	Rod, Brake	38	532105304	Cap, Sleeve
12	532127356	Bracket, Lift R. H. Rear	39	819111016	Washer 11/32 x 5/8 x 16 Ga.
13	872140505	Bolt, Carriage 5/16-18 x 5/8	40	532110452	Pushnut
14	873680500	Nut, Crownlock 5/16-18	41	532131264	V-Belt
15	532127357	Bracket, Lift L. H. Rear	42	819171616	Washer 11/32 x 5/8 16 Ga.
16	532130837	Keeper, R. H.	43	532124660	Retainer, Spring
17	532128508	Link, Asm. Mower Stabilizer	44	532130836	Keeper, L. H.
18	532128511	Pin, Drive	45	532110485	Bearing
19	532127380	Bracket, Asm. Front	46	532128774	Housing Mandrel Vented
20	532127841	Blade	--	532130794	Mandrel Asm. (Includes Key No.'s 22-23, 26, 29 and 45-48)
21	532129962	Washer, Hard	47	532129895	Bearing
22	810030600	Washer, Lock 3/8	48	532133172	Shaft, Mandrel (Includes Key #47)
23	532850857	Bolt 3/8-24 x 1-1/4 Gr. 8	--	532136317	Deck Service Complete
24	532128961	Stripper			
25	532078158	Bolt 5/16-18 x 1-1/4			

HARDWARE SHOWN LARGER FOR EASIER IDENTIFICATION

REPAIR PARTS

12 HP 36" TRACTOR -- LT120, PRODUCT NO. 954 00 04-12 (HU1236B)

ELECTRICAL



REPAIR PARTS

12 HP 36" TRACTOR - - LT120, PRODUCT NO. 954 00 04-12 (HU1236B)

ELECTRICAL

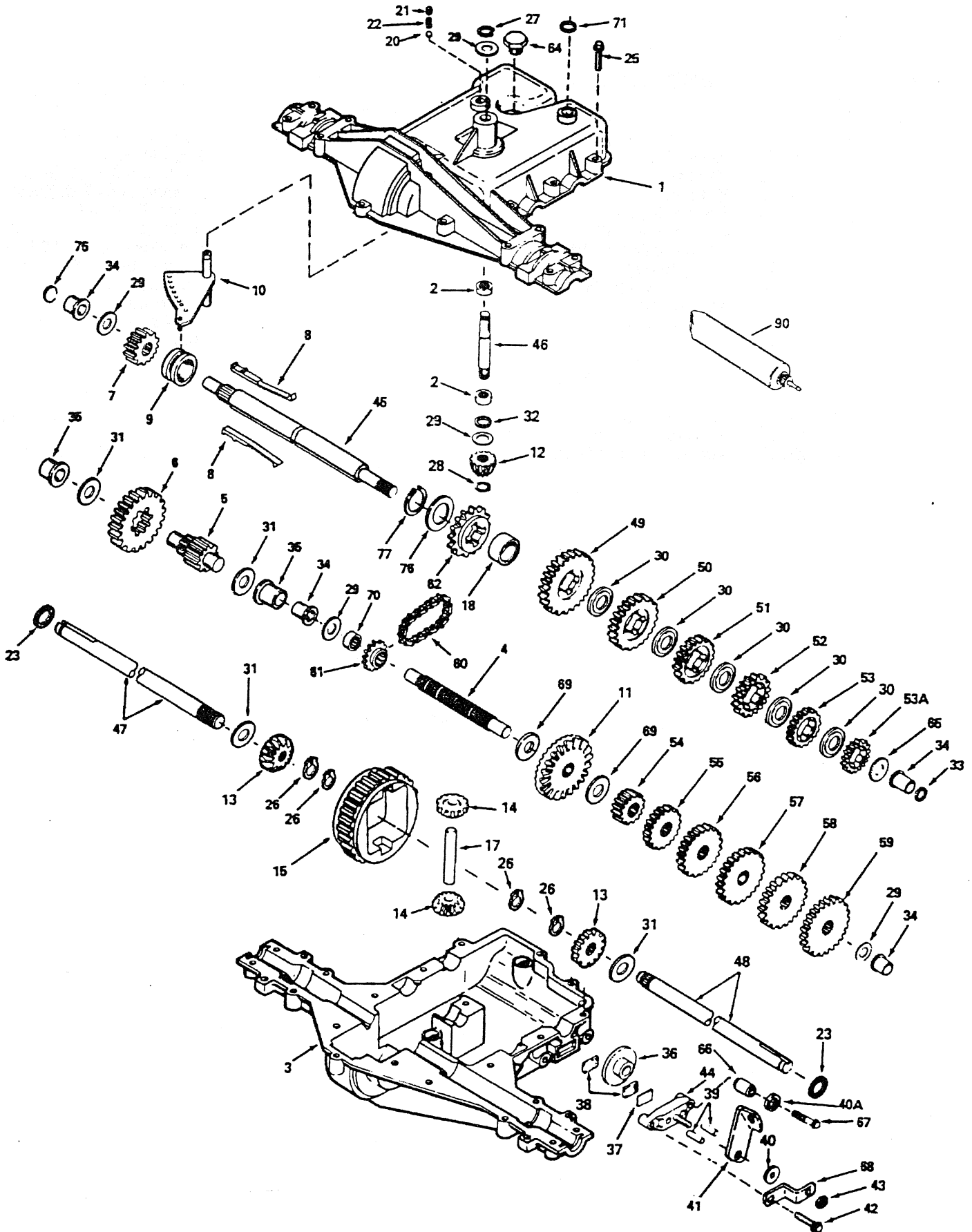
KEY NO.	PART NO.	DESCRIPTION	KEY NO.	PART NO.	DESCRIPTION
1	873510400	Nut, Hex Keps 1/4-20	21	810090400	Washer, Lock 1/4
2	532128353	Assembly, Cable	22	874780408	Bolt, Fin. Hex 1/4-20 UNC x 1/2 Gr. 5
3	532133909	Battery	23	811050400	Washer, Lock Ext. Tooth 1/4
5	532108236	Bracket, Switch	24	532131563	Cover, Terminal
6	532104445	Switch, Interlock	25	532109081	Solenoid
7	532109553	Switch, Interlock	26	874760412	Bolt, Hex Hd. 1/4-20 UNC x 3/4
8	817021008	Screw, Hex Hd. Tap #10-24 x 1/2	27	819091016	Washer 9/32 x 5/8 x 16
9	532122147	Key, Molded	28	810040400	Washer, Lock 1/4
10	532123620	Cover, Key Ignition	29	532121264	Cap, Battery
11	532124211	Nut, Ignition	30	873220400	Nut, Fin. Hex 1/4-20 UNC
12	532125104	Switch, Ignition	31	532004152	Bulb, Light
14	532124756	Tie, Cable	32	532131078	Socket, Light Harness
15	532121305	Switch, Plunger	33	532110712	Switch, Light
16	873510500	Nut, Hex, Keps 5/16-18	34	873510600	Nut Keps Hex 3/8-16
17	532108824	Fuse	35	811050600	Lockwasher Ext. Tooth 3/8
18	532108423	Assembly, Cable			
19	532132222	Harness, Ignition			
20	873350400	Nut, Hex Jam 1/4-20			

NOTE: All component dimensions given in U.S. inches
1 inch = 25.4 mm

HARDWARE SHOWN LARGER FOR EASIER IDENTIFICATION

REPAIR PARTS

12 HP 36" TRACTOR - - LT120, PRODUCT NO. 954 00 04-12 (HU1236B)
TRANSAXLE - PEERLESS MODEL NO. 930-028



REPAIR PARTS

12 HP 36" TRACTOR - - LT120, PRODUCT NO. 954 00 04-12 (HU1236B)

TRANSAXLE - PEERLESS MODEL NO. 930-028

REF NO.	PART NO.	DESCRIPTION	REF NO.	PART NO.	DESCRIPTION
1	772108	Cover, Transaxle	41	790047	Lever, Brake
2	780086	Bearing, Needle	42	792073	Screw, Flanged Hex Head, Thread Forming 1/4-20 x 1-1/4
3	770102	Case, Transaxle	43	792075	Locknut 5/16-24
4	776260	Shaft, Counter	44	790025	Holder, Brake Pad
5	776219	Shaft and Pinion Assembly, Output	45	776315A	Shaft, Brake, 4-Keyed
6	778139	Gear, Output	46	776135	Shaft, Input
7	778136	Gear, Spur 15 Teeth	47	774883	Axle, 10-5/8" long
8	792136	Key	48	774884	Axle, 15-1/4" long
9	784352	Collar, Shifter	49	778191	Gear, Spur 37 Teeth
10	784355	Rod and Fork Assembly, Shift	50	778125	Gear, Spur 35 Teeth
11	778229	Gear, Bevel 42 Teeth	51	778124A	Gear, Spur 30 Teeth
12	778113A	Bevel Pinion, Input	52	778123A	Gear, Spur 25 Teeth
13	778221	Gear, Bevel	53	778122A	Gear, Spur 22 Teeth
14	778068	Gear, Bevel Pinion	53A	778209	Gear, Spur 19 Teeth
15	778260	Gear, Ring	54	778230	Gear, Spur 12 Teeth
17	786139	Pin, Drive	55	778151	Gear, Spur 15 Teeth
18	786102	Spacer, Neutral	56	778126A	Gear, Spur 20 Teeth
20	792077	Ball, Steel 5/16" diameter	57	778127A	Gear, Spur 25 Teeth
21	792078	Set Screw 3/8-16 x 3/8	58	778128A	Gear, Spur 28 Teeth
22	792079	Spring	59	778163	Gear, Spur 31 Teeth
23	788061	Ring, Felt	60	786081	Chain, Roller (Number 41 Chain, 24 Links)
25	792073	Screw, Flanged Hex Head, Thread Forming 1/4-20 x 1-1/4	61	786082	Sprocket 9 Teeth
26	792125	Ring, Retainer (4 required, package of 2)	62	786123	Sprocket 18 Teeth
27	792035	Ring, Retainer	64	792074	Plug, Hex Head 9/16-18 Thread
28	788040	Ring, Retainer	65	780109	Washer, Thrust
29	780072	Washer, Thrust	66	786067	Spacer
30	780108	Washer, Thrust	67	792085	Screw, Flanged Hex Head, Thread Forming 1/4-20 x 2-1/4
31	780001	Washer	68	786086	Bracket, Brake Lever
32	792001	"O" Ring	69	780051	Washer, Thrust
33	788051	Seal, Square Cut	70	786118	Spacer
34	780105A	Bushing, Flanged	71	788069	Seal, Square Cut
35	780118A	Bushing, Flanged	75	786116	Disk
36	790003	Disk, Brake	76	780090	Washer, Thrust
37	790007	Plate, Brake Pad	77	788075	Ring, Retaining
38	790006	Pad, Brake	90	788067B	Grease, Bentonite (32 Oz. Bottle)
39	786026	Pin, Dowel			
40	792076	Washer, Flat			
40A	792128	Washer, Flat			

NOTE: All component dimensions given in U.S. inches
1 inch = 25.4 mm

Parts must be ordered from Tecumseh Products Co.



Husqvarna Forest & Garden Co.
A division of White Outdoor Products
9006-J Perimeter Woods Drive
Charlotte, NC 28216