



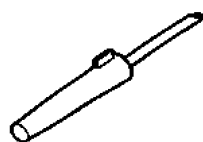
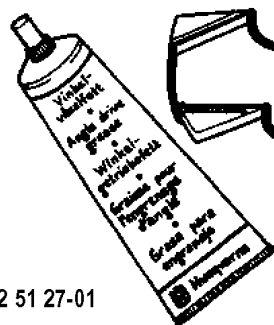
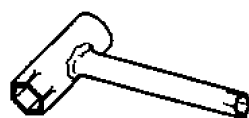
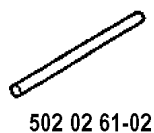
# SPARE PARTS LIST

BRUSHCUTTERS/CLEARING SAWS

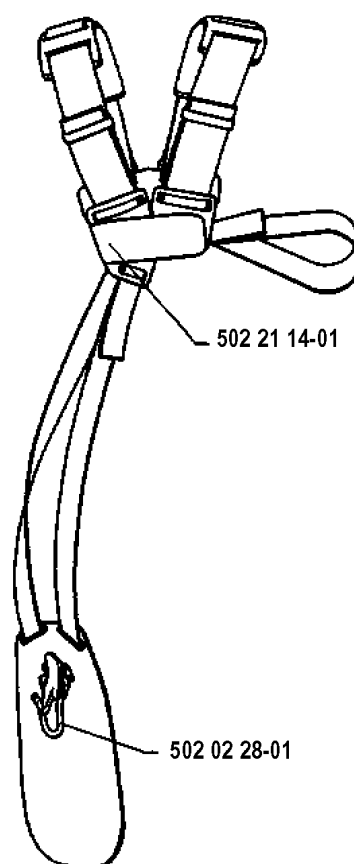
235 R, 1993-02

**P**

**Accessories  
Zubehöre  
Accessoires  
Accesorios  
Tillbehör**



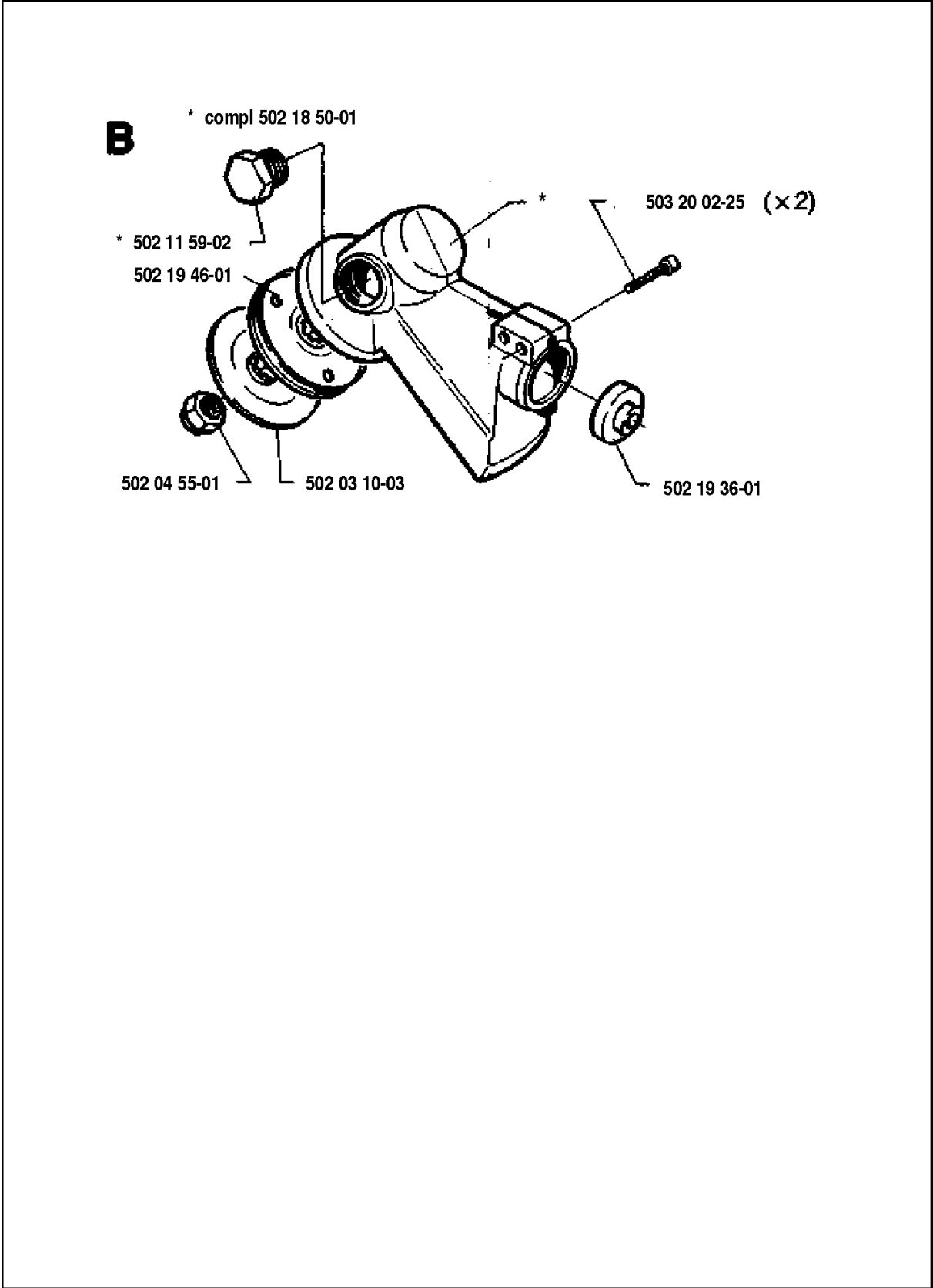
compl 502 21 17-01  
compl 502 21 17-02 (USA)



## ACCESSORIES

235 R, 1993-02

Part No	Description	Remark	QTY KIT
501 60 02-02	SCREWDRIVER		1
502 02 28-01	HARNESS		1
502 02 61-02	STOP		1
502 03 64-01	TRANSPORT GUARD		1
502 11 46-02	SOCKET WRENCH		1
502 21 14-01	FRAMSTYCKE HÖGER		1
502 21 17-01	HARNESS		1
502 21 17-02	HARNESS	USA	1
502 21 58-01	L-NYCKEL		1
502 51 27-01	GREASE		1

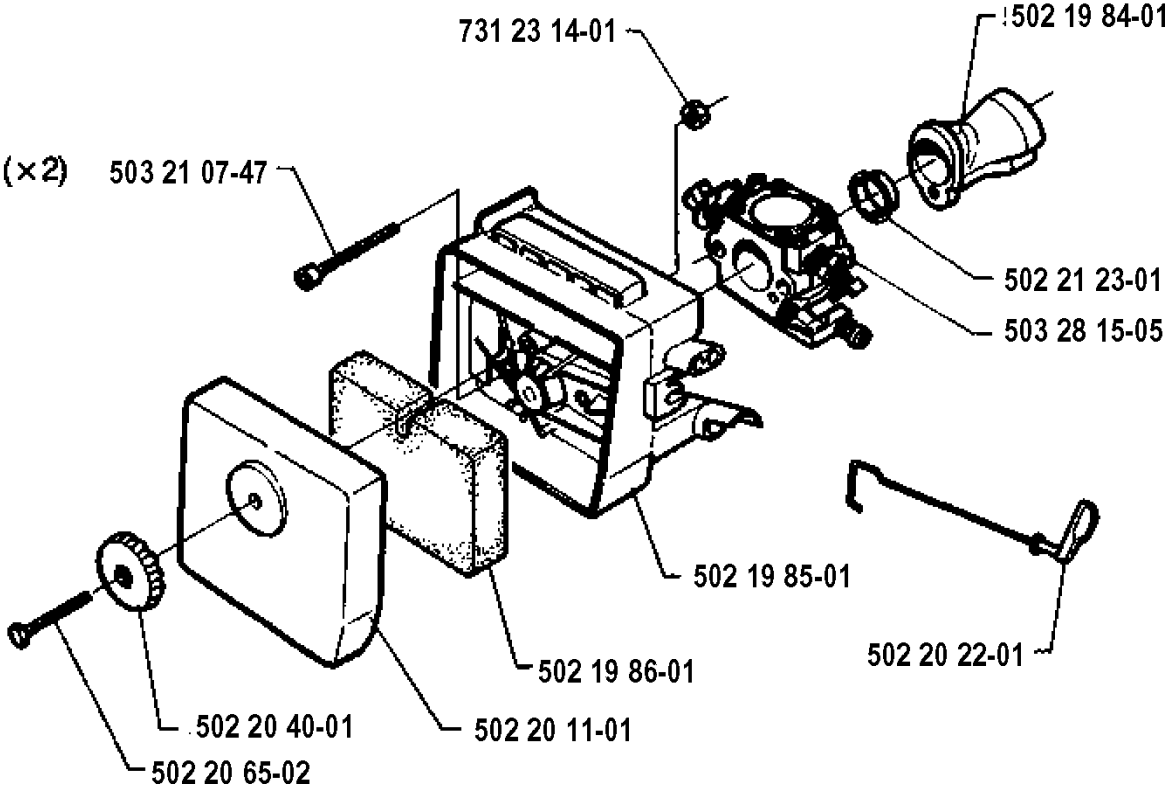


## BEVEL GEAR

235 R, 1993-02

Part No	Description	Remark	QTY KIT
502 03 10-03	SUPPORT FLANGE ASSY		1
502 04 55-01	LOCKING NUT		1
502 11 59-02	PLUG		1
502 18 50-01	GEAR ASSY		1
502 19 36-01	GASKET RING UPPER		1
502 19 46-01	DRIVER		1
503 20 02-25	SCREW IHSCFM		2

**K**



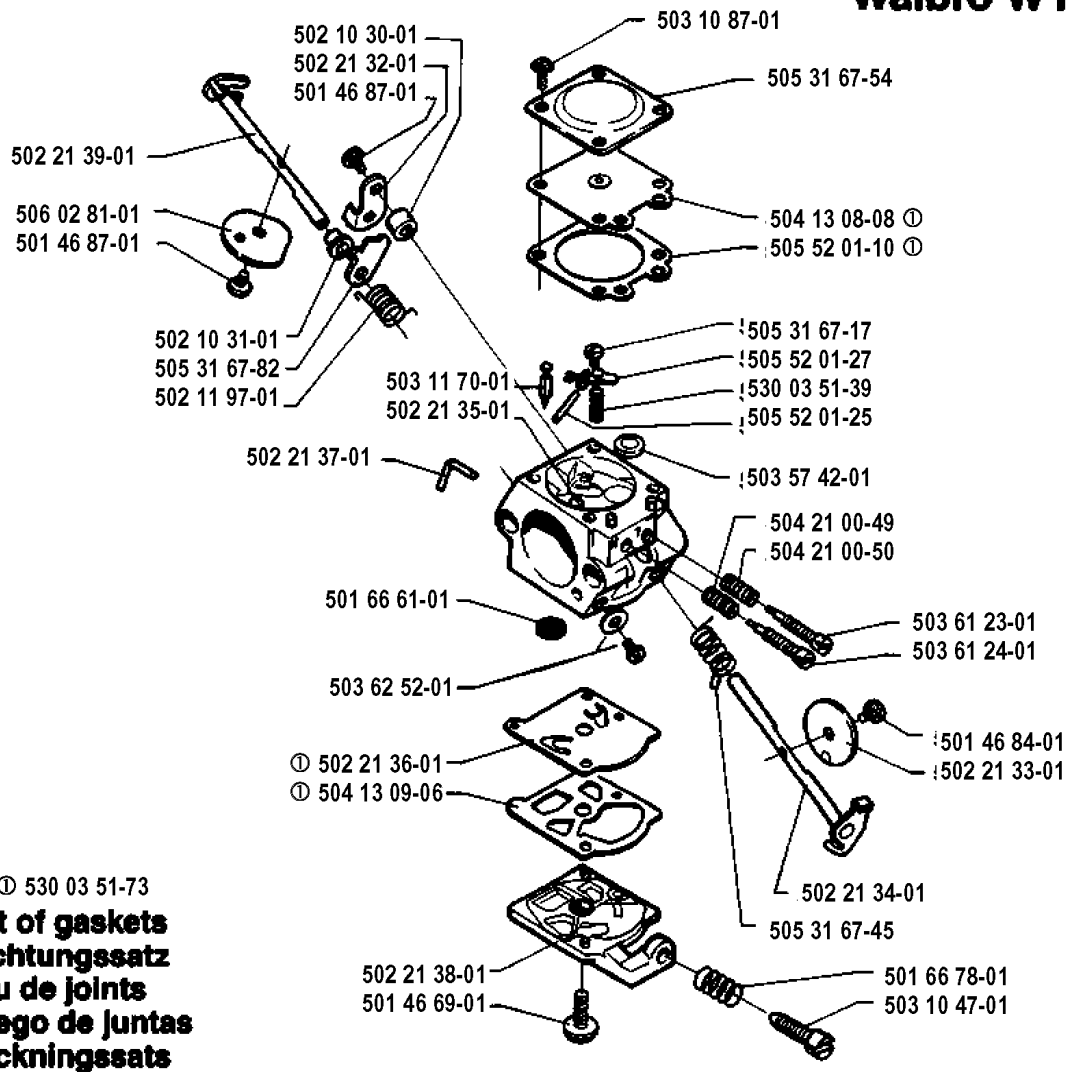
## CARBURETOR &amp; AIR FILTER

235 R, 1993-02

Part No	Description	Remark	QTY KIT
502 19 84-01	INLET PIPE		1
502 19 85-01	FILTER HOLDER		1
502 19 86-01	AIR FILTER		1
502 20 11-01	FILTER COVER		1
502 20 22-01	CHOKE CONTROL		1
502 20 40-01	KNOB		1
502 20 65-02	SCREW EHHM		1
502 21 23-01	SUPPORT RING		1
503 21 07-47	SCREW IHSCFT		2
503 28 15-05	CARBURETTOR		1
731 23 14-01	HEXAGON NUT		1

**N** compl 503 28 15-05

**Walbro WT 235**



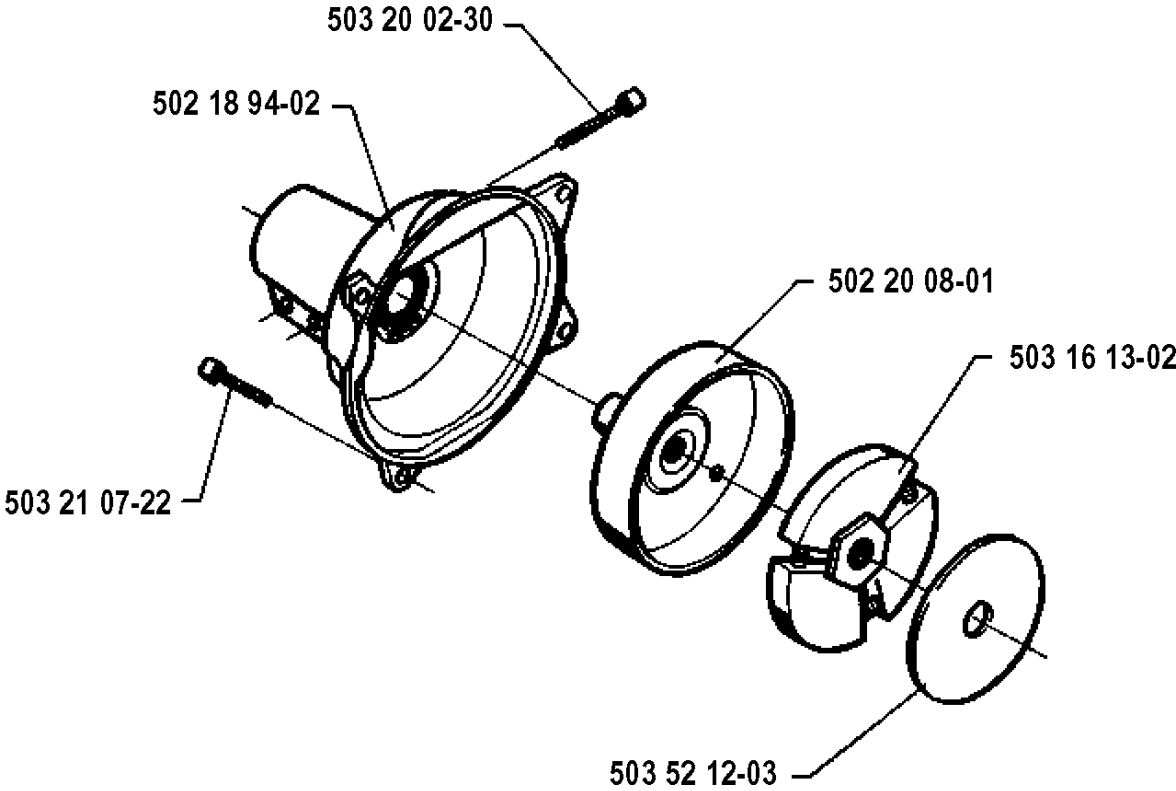


## CARBURETOR DETAILS

235 R, 1993-02

Ref	Part No	Description	Remark	QTY KIT
503 28 15-05	503 28 15-05	CARBURETTOR		1
502 21 39-01	502 21 39-01	SHAFT ASSY		1
506 02 81-01	506 02 81-01	VALVE		1
501 46 87-01	501 46 87-01	SCREW		1
501 46 69-01	501 46 69-01	SCREW		1
502 21 38-01	502 21 38-01	COVER		1
504 13 09-06	504 13 09-06	GASKET	530 03 51-73 SET OF GASKETS	1
502 21 36-01	502 21 36-01	DIAPHRAGM PUMP	530 03 51-73 SET OF GASKETS	1
503 62 52-01	503 62 52-01	SCREW ASSY		1
501 66 61-01	501 66 61-01	SCREEN		1
502 21 37-01	502 21 37-01	FITTING		1
502 11 97-01	502 11 97-01	RECOIL SPRING		1
505 31 67-82	505 31 67-82	LEVER		1
502 10 31-01	502 10 31-01	BUSHING		1
501 46 87-01	501 46 87-01	SCREW		1
502 21 32-01	502 21 32-01	LEVER THROTTLE		1
502 10 30-01	502 10 30-01	DISTANCE		1
503 11 70-01	503 11 70-01	NEEDLE		1
502 21 35-01	502 21 35-01	SEAT INLET VALVE		1
503 10 47-01	503 10 47-01	SCREW		1
501 66 78-01	501 66 78-01	SPRING		1
505 31 67-45	505 31 67-45	SPRING		1
502 21 34-01	502 21 34-01	SHAFT ASS THROTTLE		1
502 21 33-01	502 21 33-01	VALVE THROTTLE		1
501 46 84-01	501 46 84-01	SPRING		1
503 61 24-01	503 61 24-01	NEEDLE-HIGH SPEED		1
503 61 23-01	503 61 23-01	NEEDLE IDLE SPEED		1
504 21 00-50	504 21 00-50	SPRING		1
504 21 00-49	504 21 00-49	SPRING		1
503 57 42-01	503 57 42-01	PLUG		1
505 52 01-25	505 52 01-25	PIN-METERING LEVER		1
530 03 51-39	530 03 51-39	SPRING		1
505 52 01-27	505 52 01-27	LEVER		1
505 31 67-17	505 31 67-17	SCREW		1
505 52 01-10	505 52 01-10	GASKET	530 03 51-73 SET OF GASKETS	1
504 13 08-08	504 13 08-08	DIAPHRAGM	530 03 51-73 SET OF GASKETS	1
505 31 67-54	505 31 67-54	LOCK STYRMEMBRAN		1
503 10 87-01	503 10 87-01	SCREW		1
530 0	530 03 51-73	GASKET		1

**F**



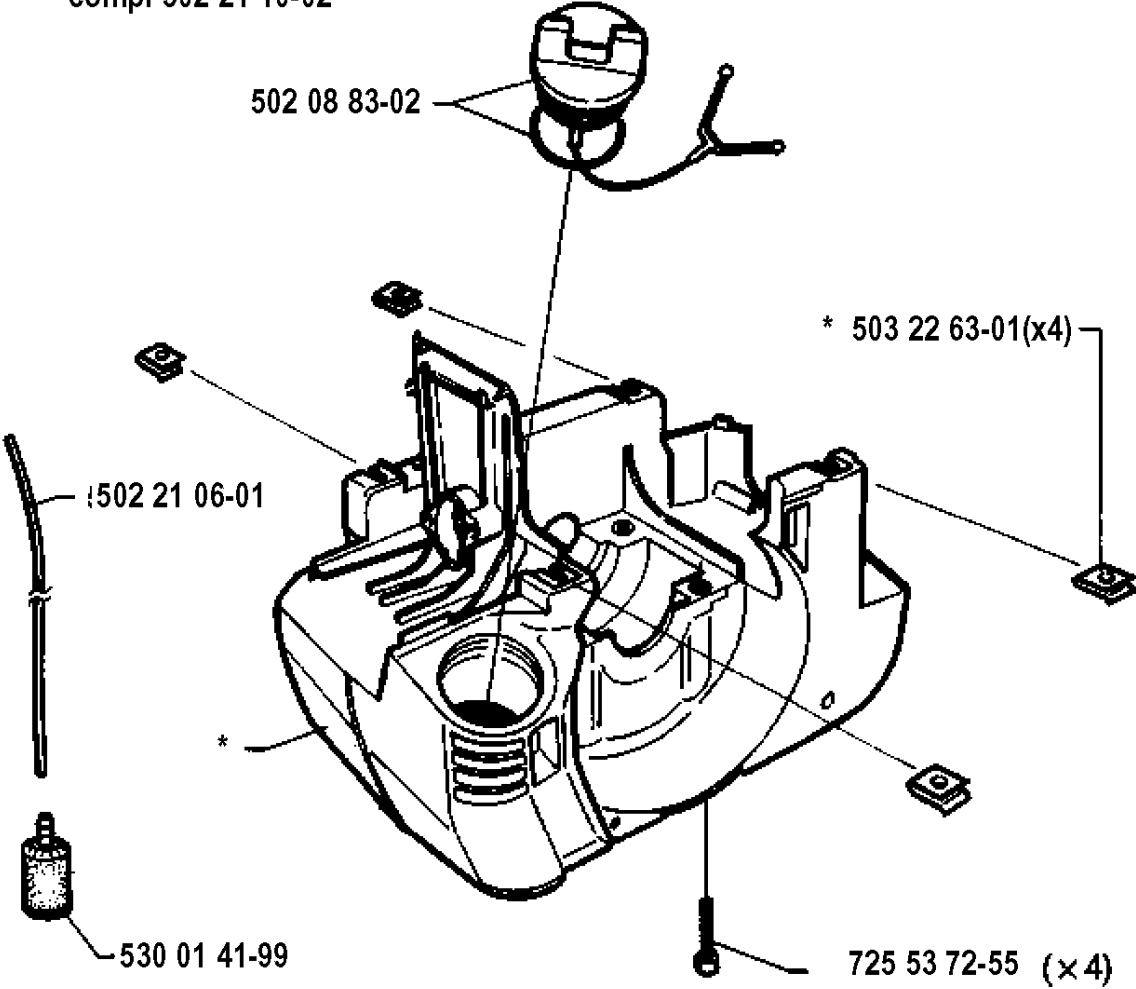
## CLUTCH

235 R, 1993-02

Part No	Description	Remark	QTY KIT
502 18 94-02	CLUTCH COVER ASSY		1
502 20 08-01	CLUTCH DRUM		1
503 16 13-02	CLUTCH ASSY		1
503 20 02-30	SCREW IHSCFM		1
503 21 07-22	SCREW IHST		1
503 52 12-03	WASHER		1



\* compl 502 21 10-02

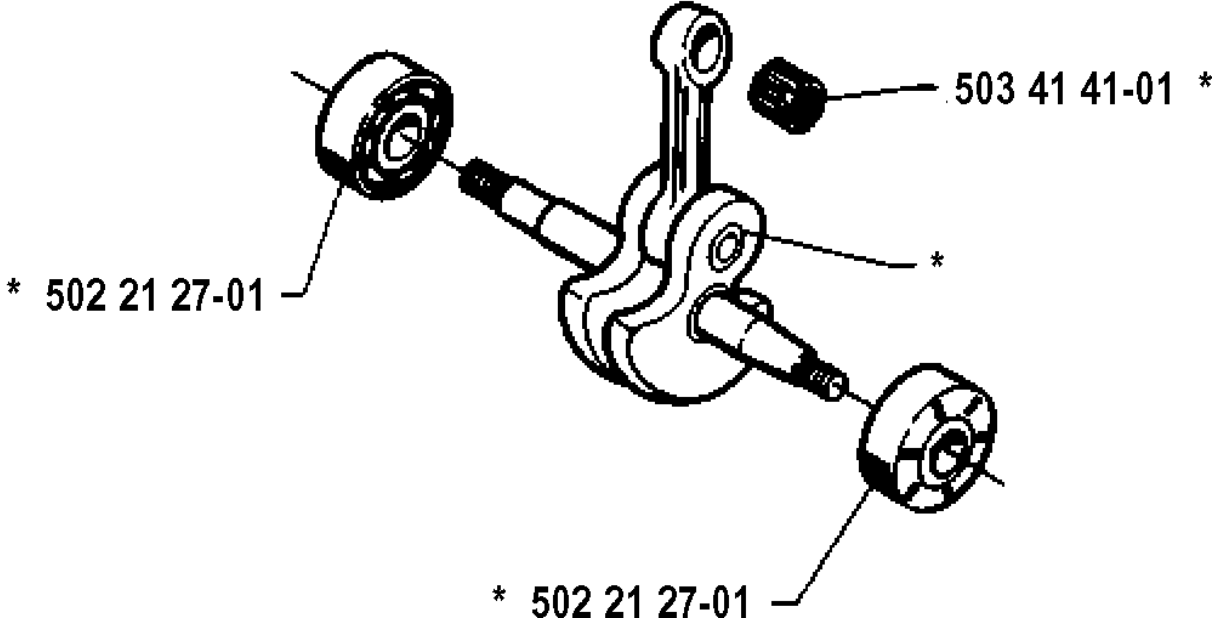


## CRANKCASE

235 R, 1993-02

Part No	Description	Remark	QTY KIT
502 08 83-02	TANK CAP ASSY		1
502 21 06-01	FUEL HOSE		1
502 21 10-02	CRANKCASE ASSY		1
503 22 63-01	NUT QUICK-COUPLING		4
530 01 41-99	FUEL FILTER		1
725 53 72-55	SCREW IHSCM		4

**G** \* compl 502 21 28-01

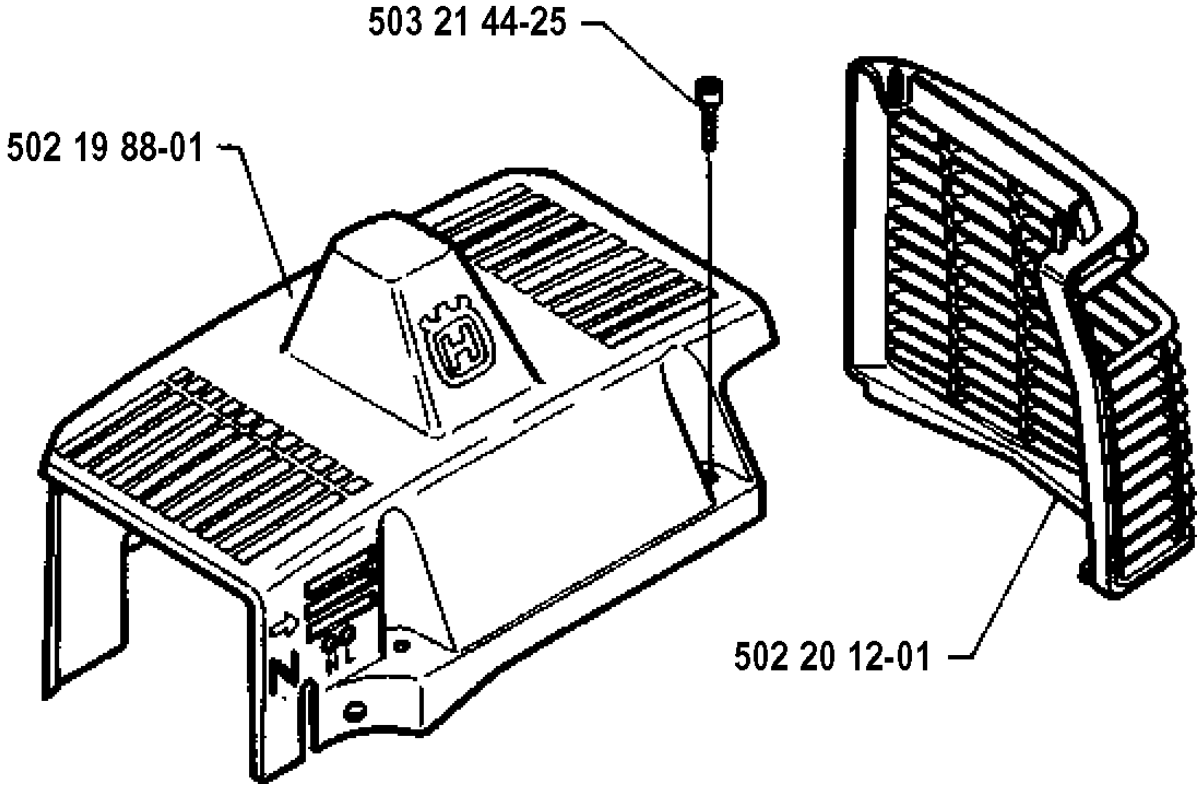


## CRANKSHAFT

235 R, 1993-02

Part No	Description	Remark	QTY KIT
502 21 27-01	BEARING CAGE		1
502 21 27-01	BEARING CAGE		1
502 21 28-01	CRANKSHAFT ASSY		1
503 41 41-01	NEEDLE BEARING		1

**C**



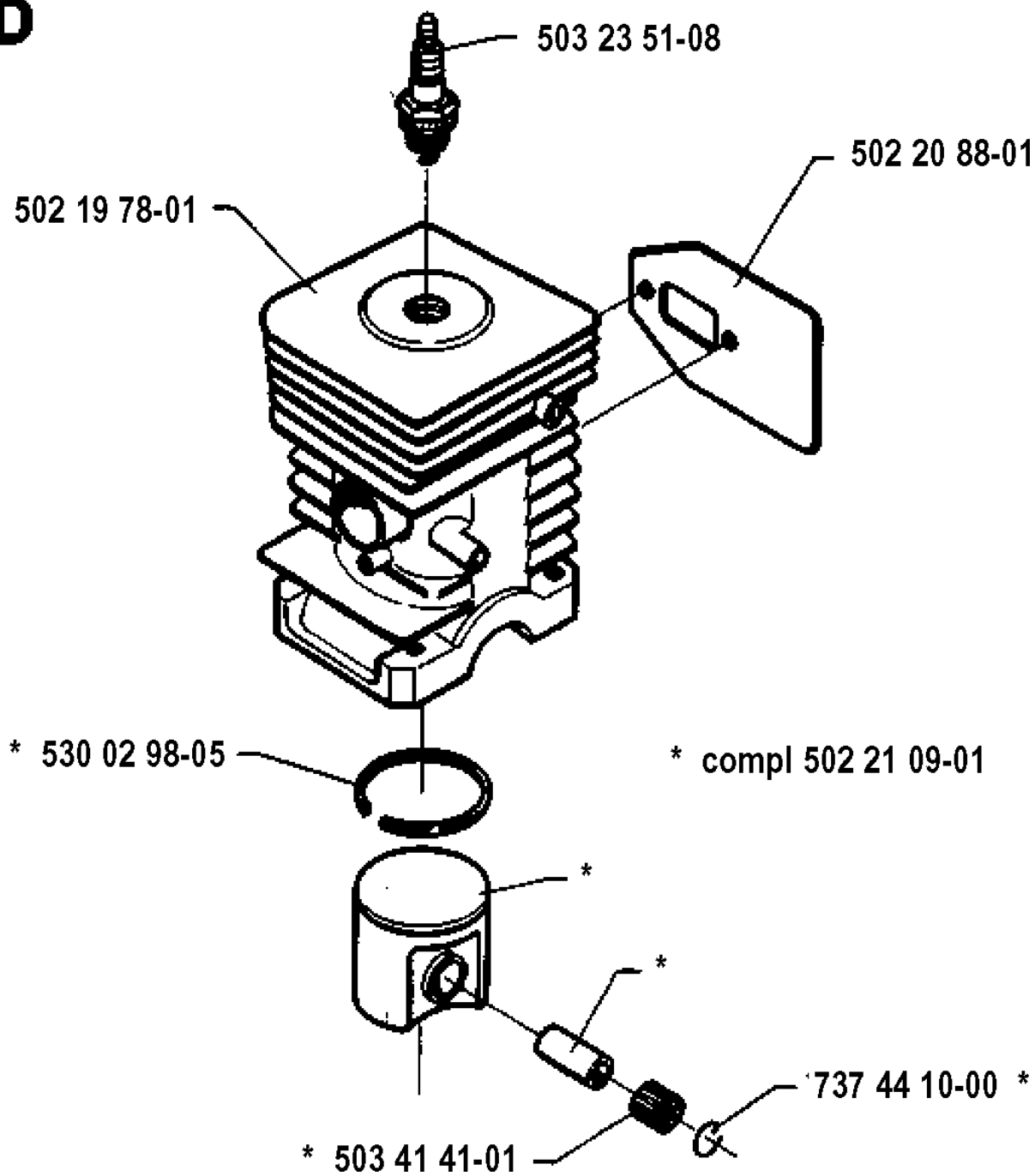


## CYLINDER COVER

235 R, 1993-02

Part No	Description	Remark	QTY KIT
502 19 88-01	CYLINDER COVER		1
502 20 12-01	HEAT PROTECTOR		1
503 21 44-25	SCREW IHSCFTO		1

**D**



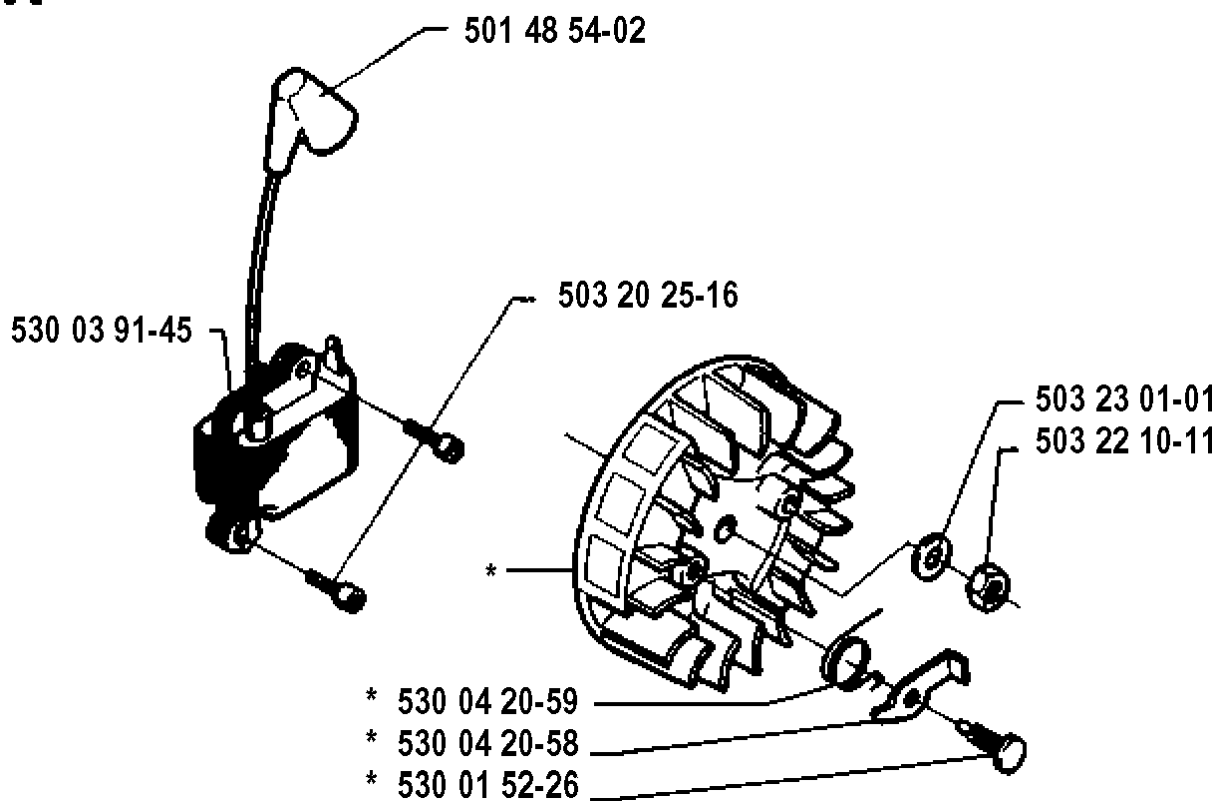
## CYLINDER PISTON

235 R, 1993-02

Part No	Description	Remark	QTY KIT
502 19 78-01	CYLINDER		1
502 20 88-01	GASKET MUFFLER		1
502 21 09-01	PISTON ASSY		1
503 23 51-08	SPARK PLUG		1
503 41 41-01	NEEDLE BEARING		1
530 02 98-05	PISTON RING		1
737 44 10-00	SNAP RING		1

**H**

\* compl 502 19 59-01

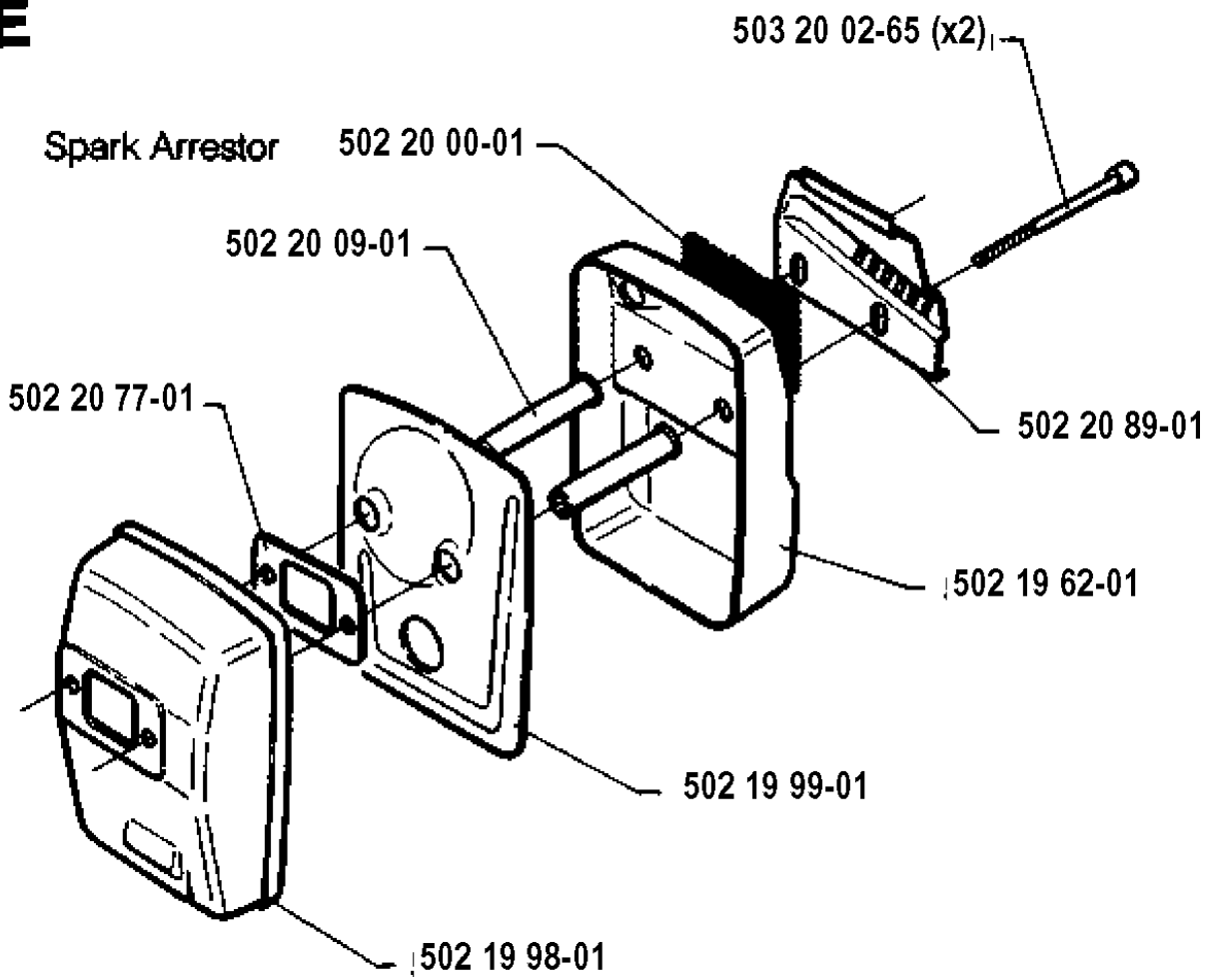


## IGNITION SYSTEM

235 R, 1993-02

Part No	Description	Remark	QTY KIT
501 48 54-02	SPARK PLUG CAP		1
502 19 59-01	FLYWHEEL ASSY		1
503 20 25-16	SCREW IHSCM		1
503 22 10-11	HEXAGON NUT		1
503 23 01-01	WASHER		1
530 01 52-26	PEN		1
530 03 91-45	IGNITION MODULE		1
530 04 20-58	STARTER PAWL		1
530 04 20-59	SPRING		1

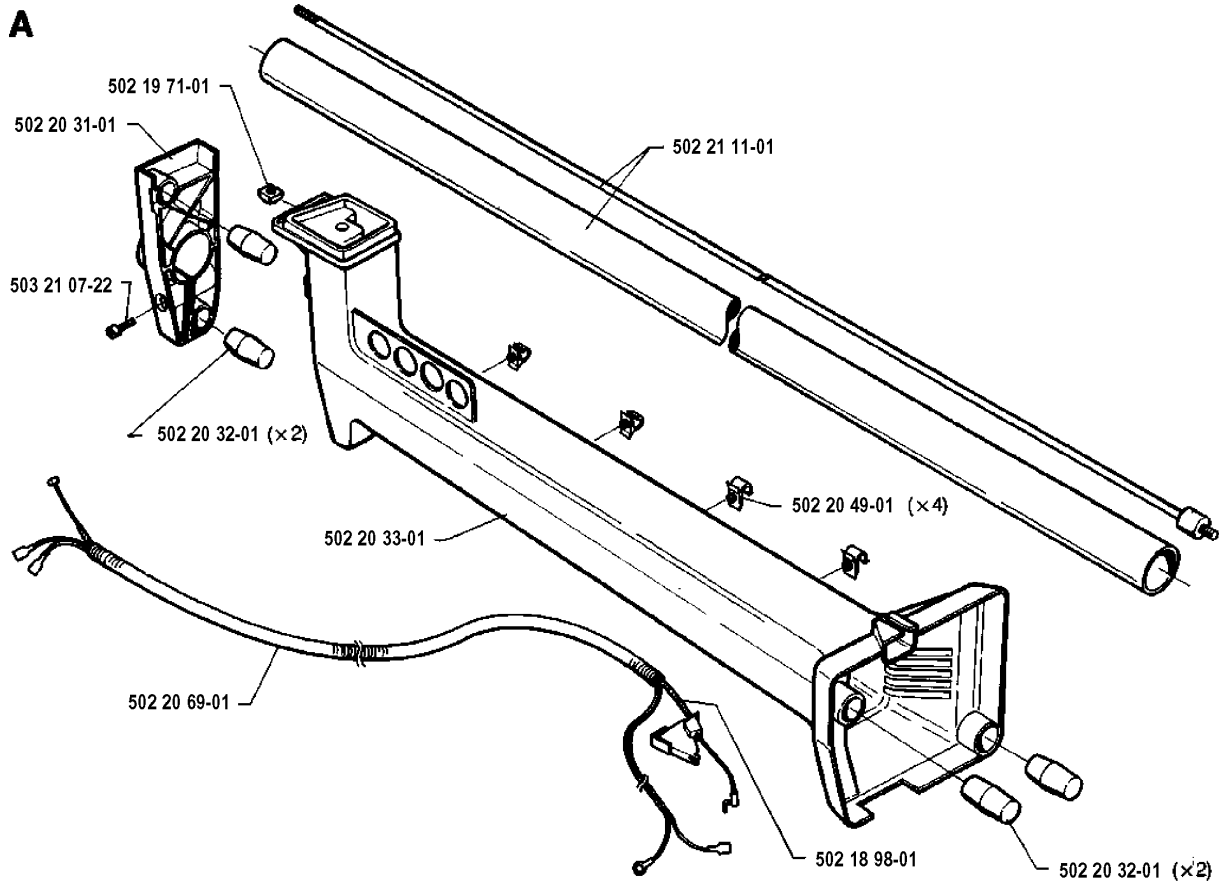
**E**



## MUFFLER

235 R, 1993-02

Part No	Description	Remark	QTY KIT
502 19 62-01	MUFFLER HALF		1
502 19 98-01	MUFFLER REAR HALF		1
502 19 99-01	BAFFLE PLATE		1
502 20 00-01	SPARK ARRESTER	SPARK ARRESTOR	1
502 20 09-01	SPACER		1
502 20 77-01	REINFORCEMENT		1
502 20 89-01	EXHAUST DUCT		1
503 20 02-65	SCREW IHSCFM		2

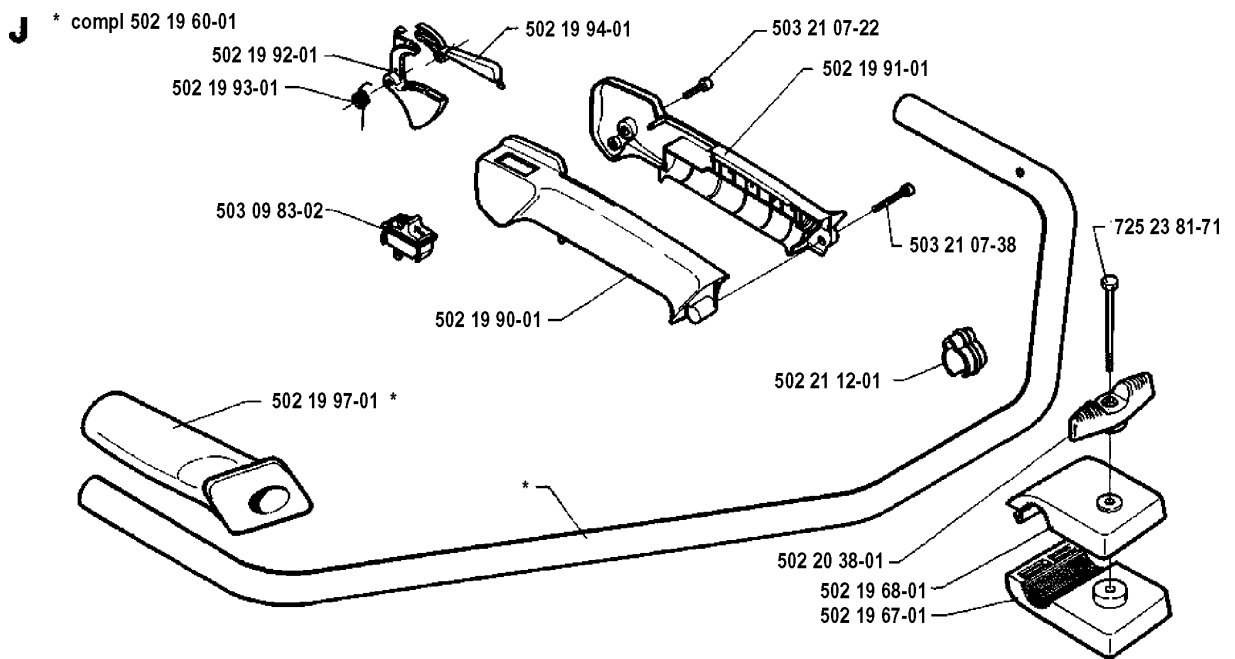




## SHAFT

235 R, 1993-02

Part No	Description	Remark	QTY KIT
502 18 98-01	THROTTLE WIRE		1
502 19 71-01	SQUARE NUT		1
502 20 31-01	HOLDER ANTIVIBRATION		1
502 20 32-01	ANTIVIBRATION ELEMENT		2
502 20 32-01	ANTIVIBRATION ELEMENT		2
502 20 33-01	SUSPENSION		1
502 20 49-01	CLIP		4
502 20 69-01	WIRING		1
502 21 11-01	TUBE DRIVESHAFT ASSY		1
503 21 07-22	SCREW IHSCT		1



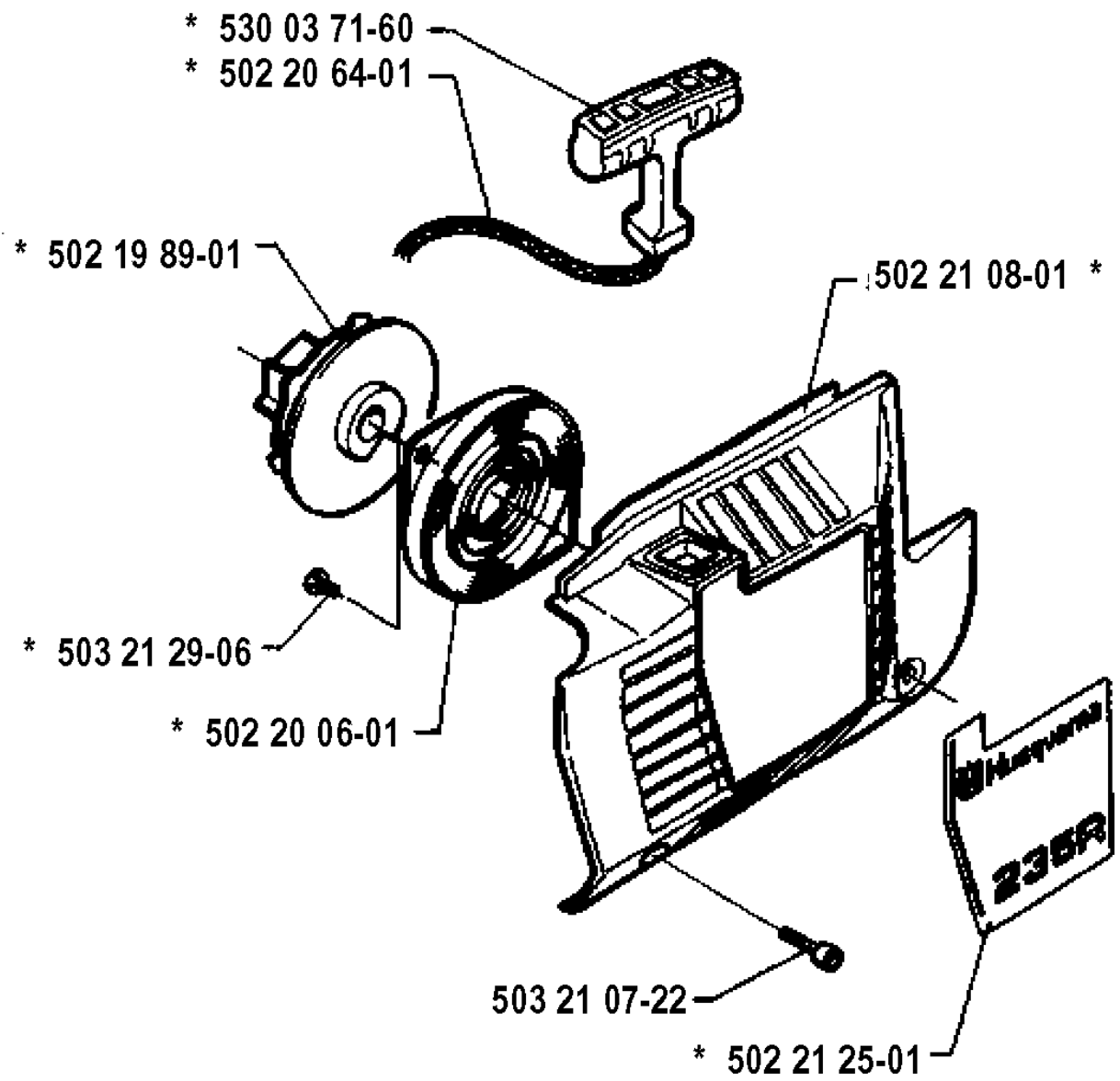
## SHAFT &amp; HANDLE

235 R, 1993-02

Part No	Description	Remark	QTY KIT
502 19 60-01	HANDLEBAR		1
502 19 67-01	HANDLEBAR BRACKET LO		1
502 19 68-01	HANDLEBAR BRACKET UP		1
502 19 90-01	HANDLE HALF		1
502 19 91-01	HANDLE HALF		1
502 19 92-01	THROTTLE TRIGGER		1
502 19 93-01	RECOIL SPRING		1
502 19 94-01	THROTTLE LOCKOUT		1
502 19 97-01	HANDLE		1
502 20 38-01	KNOB		1
502 21 12-01	STAPLE		1
503 09 83-02	STOP SWITCH		1
503 21 07-22	SCREW IHSCT		1
503 21 07-38	SCREW IHSCT		1
725 23 81-71	SCREW EHHM		1

**M**

\* compl 502 18 95-01



## STARTER

235 R, 1993-02

Part No	Description	Remark	QTY KIT
502 18 95-01	STARTER		1
502 19 89-01	STARTER PULLEY		1
502 20 06-01	SPRING CASSETTE ASSY		1
502 20 64-01	STARTER CORD		1
502 21 08-01	STARTER		1
502 21 25-01	DECAL		1
503 21 07-22	SCREW IHSCT		1
503 21 29-06	SCREW CCRPANT		1
530 03 71-60	STARTER HANDLE		1