 Husqvarna



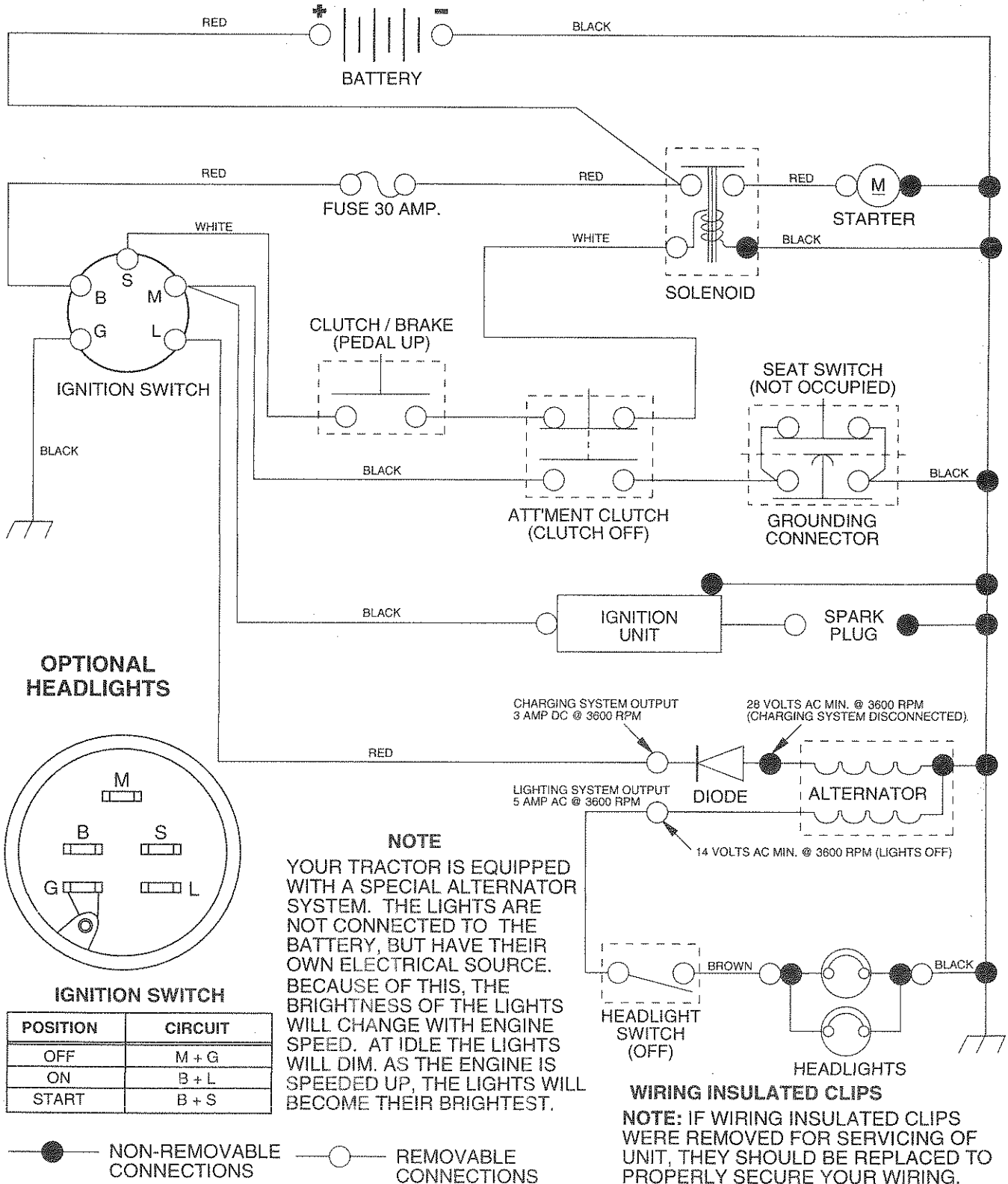
LR120

OWNER'S MANUAL / IPL

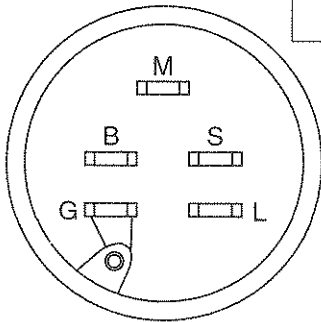
954000582

1993-01

SCHEMATIC



OPTIONAL HEADLIGHTS



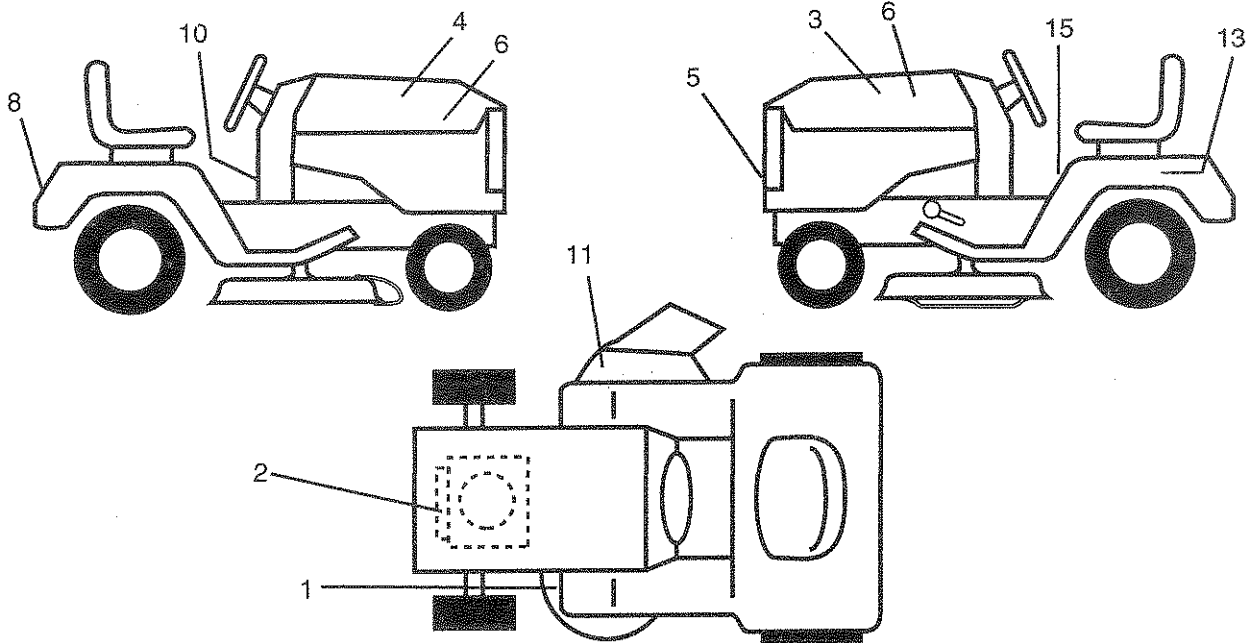
IGNITION SWITCH

POSITION	CIRCUIT
OFF	M + G
ON	B + L
START	B + S

REPAIR PARTS

12 HP 36" TRACTOR - - LR120, PRODUCT NO. 954 00 05-82 (HU1236C)

DECALS

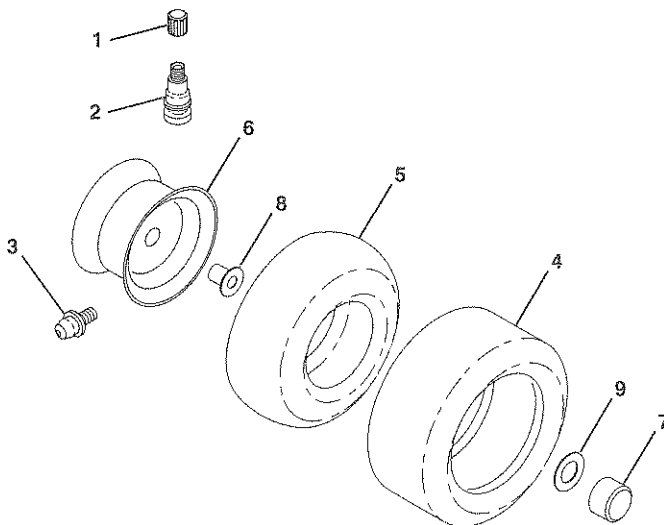


KEY NO.	PART NO.	DESCRIPTION
1	532136830	Decal, V-Belt
2	532120601	Decal, Engine
3	532139454	Decal, Hood, L. H.
4	532139453	Decal, Hood, R. H.
5	532125989	Decal, Logo, Grill
6	532127520	Decal, USA
8	532131582	Decal, Logo, Fender
10	532123637	Decal, Operating Instruction (English/French)

KEY NO.	PART NO.	DESCRIPTION
11	532137259	Decal, Warning (English/French)
13	532121549	Decal, Caution, Battery
15	532133795	Decal, Caution
--	532139451	Manual, Owner's (English)
--	532139452	Manual, Owners (French)

Available accessories not included with tractor:
CE36 Grass Catcher

WHEELS & TIRES

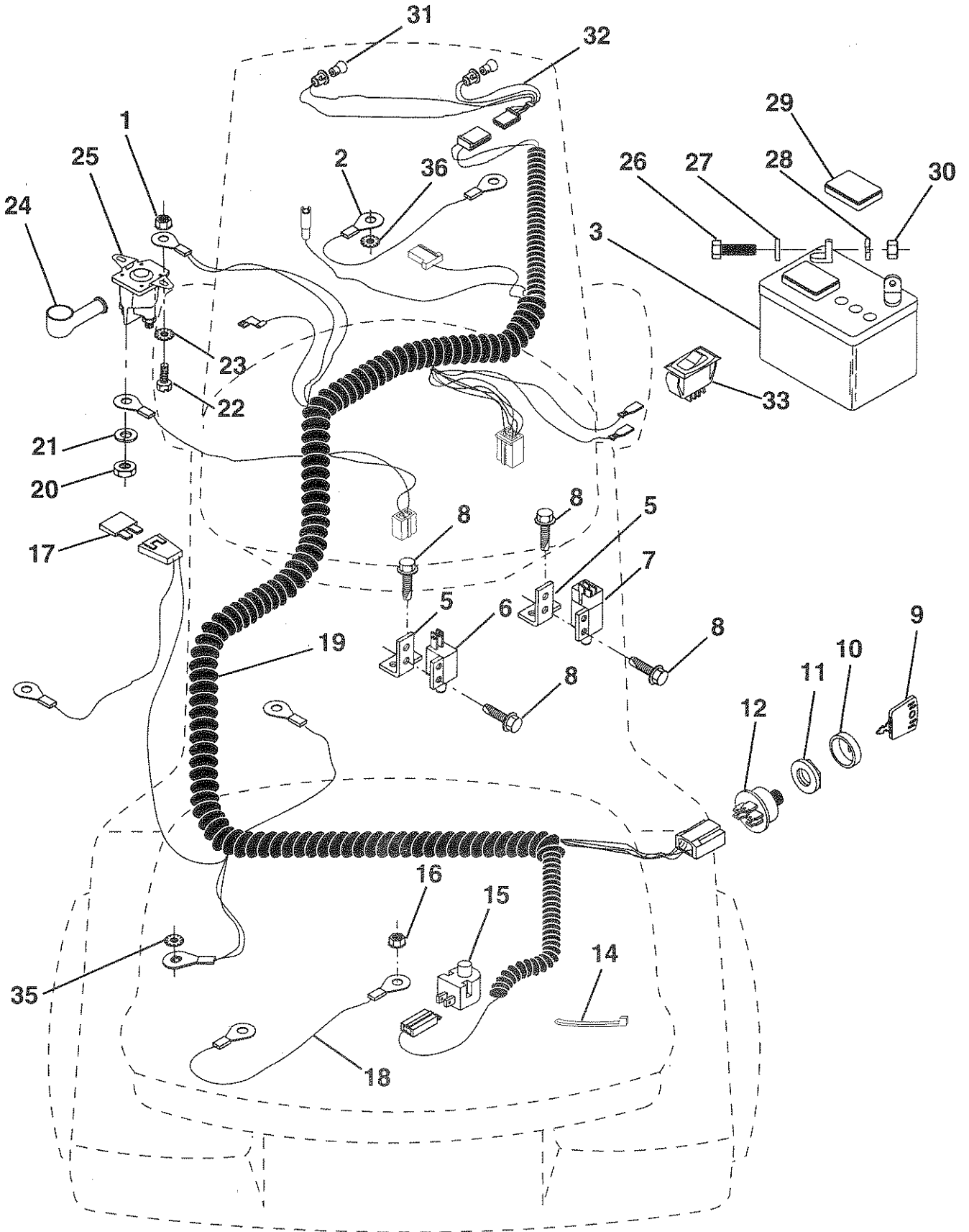


KEY NO.	PART NO.	DESCRIPTION
1	532059192	Cap, Valve
2	532065139	Stem, Valve
3	532124957	Fitting, Grease (Front Wheels Only)
4	532123410	Tire, Front
	532123411	Tire, Rear
5	532059904	Tube, Front (Optional Service Items Only)
	532008134	Tube, Rear (Optional Service Items Only)
6	532124972	Rim, Front
	532124973	Rim, Rear
7	532104757	Cap Axle
8	532124959	Bearing, Flange
9	532121748	Washer 25/32 x 1-5/8 x 16 Ga.

REPAIR PARTS

12 HP 36" TRACTOR -- LR120, PRODUCT NO. 954 00 05-82 (HU1236C)

ELECTRICAL



REPAIR PARTS

12 HP 36" TRACTOR - - LR120, PRODUCT NO. 954 00 05-82 (HU1236C)

ELECTRICAL

KEY NO.	PART NO.	DESCRIPTION
1	873510400	Nut, Hex Keps 1/4-20
2	532128353	Assembly, Cable
3	532133909	Battery
5	532108236	Bracket, Switch
6	532104445	Switch, Interlock
7	532109553	Switch, Interlock
8	817021008	Screw, Hex Hd. Tap #10-24 x 1/2
9	532122147	Key, Molded
10	532123620	Cover, Key Ignition
11	532124211	Nut, Ignition
12	532125104	Switch, Ignition
14	532124756	Tie, Cable
15	532121305	Switch, Plunger
16	873510500	Nut, Hex, Keps 5/16-18
17	532108824	Fuse
18	532108423	Assembly, Cable
19	532132222	Harness, Ignition
20	873350400	Nut, Hex Jam 1/4-20
21	810090400	Washer, Lock 1/4
22	874780408	Bolt, Fin. Hex 1/4-20 UNC x 1/2 Gr. 5
23	811050400	Washer, Lock Ext. Tooth 1/4
24	532131563	Cover, Terminal
25	532138406	Solenoid
26	874760412	Bolt, Hex Hd. 1/4-20 UNC x 3/4
27	819091016	Washer 9/32 x 5/8 x 16
28	810040400	Washer, Lock 1/4
29	532121264	Cap, Battery
30	873220400	Nut, Fin. Hex 1/4-20 UNC
31	532004152	Bulb, Light
32	532131078	Socket, Light Harness
33	532110712	Switch, Light
35	811150400	Lockwasher Int. Tooth 1/4

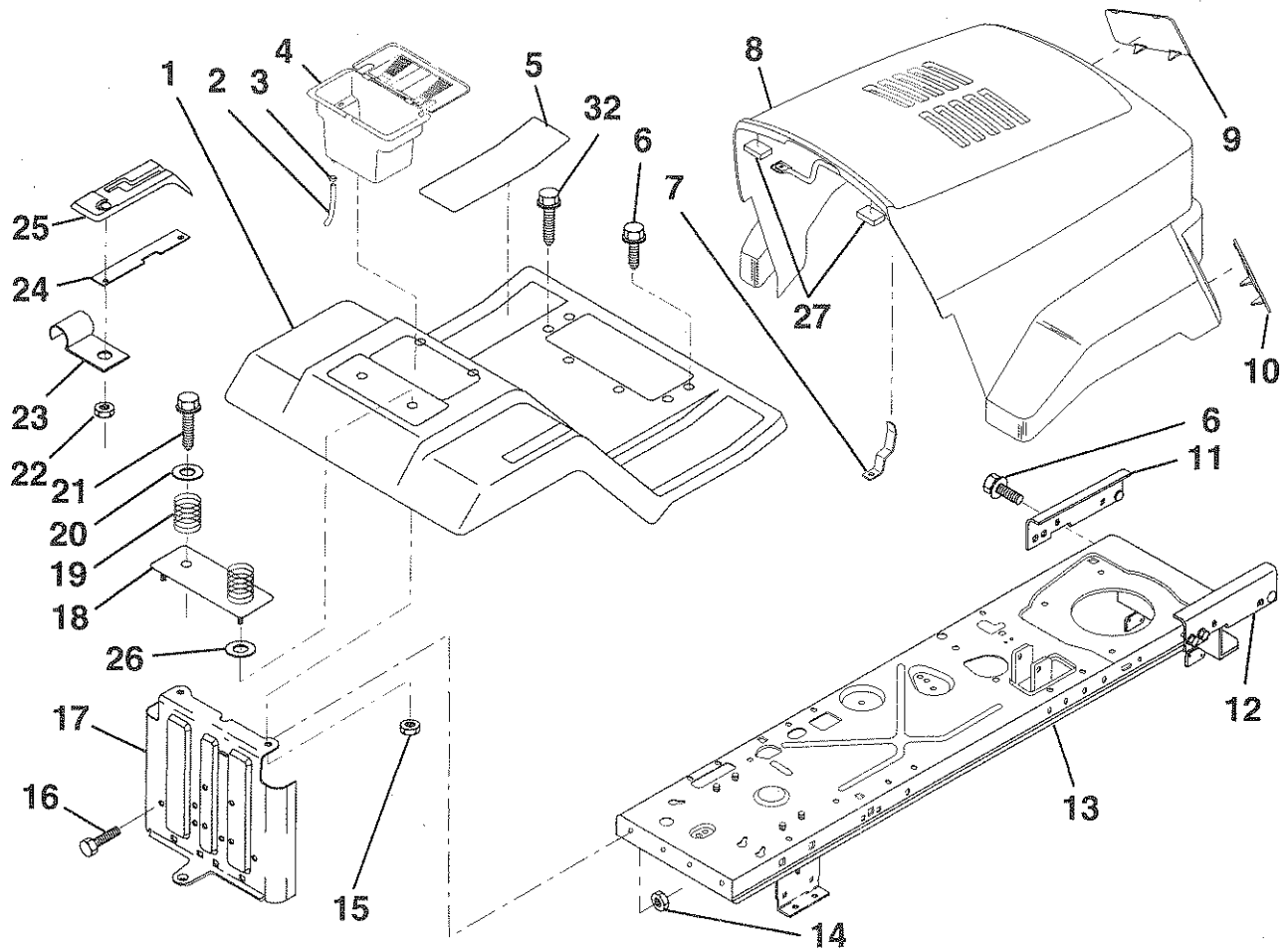
NOTE: All component dimensions given in U.S. inches
1 inch = 25.4 mm

HARDWARE SHOWN LARGER FOR EASIER IDENTIFICATION

REPAIR PARTS

12 HP 36" TRACTOR - - LR120, PRODUCT NO. 954 00 05-82 (HU1236C)

FENDER / CHASSIS



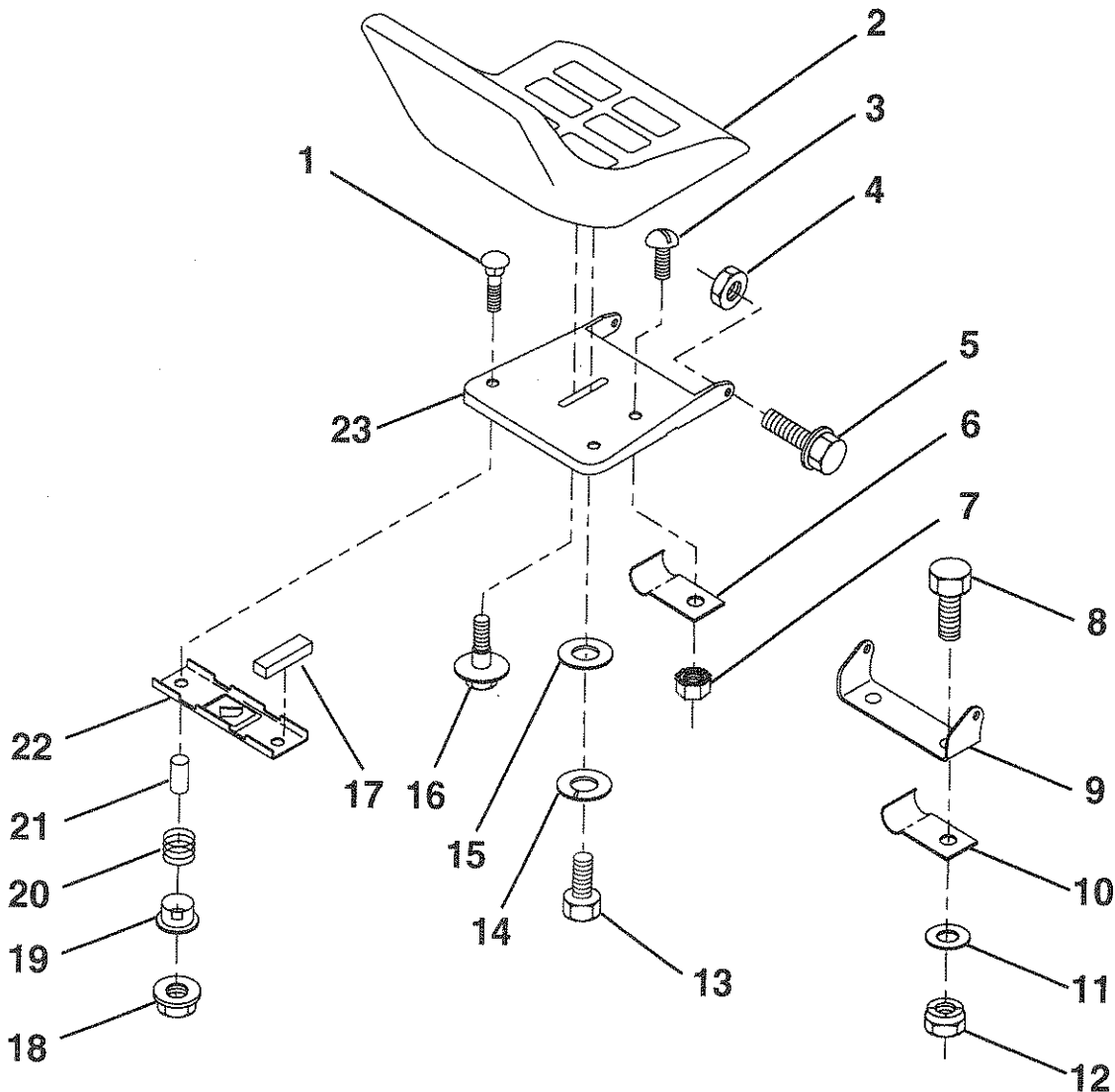
KEY NO.	PART NO.	DESCRIPTION	KEY NO.	PART NO.	DESCRIPTION
1	532125141	Fender/Footrest	14	873680500	Nut, Crownlock 5/16-18
2	532109238	Tube, Battery Drain	15	873510400	Nut, Keps, Hex 1/4-20 UNC
3	532109596	Clamp, Hose	16	874760512	Bolt, Hex Hd. 5/16-18 UNC x 3/4
4	532129965	Case, Battery	17	532127880	Drawbar
5	532124144	Pad, Footrest	18	532125142	Plate, Asm. Battery
6	817490512	Screw, Hex Wsh. Thrdrol. 5/16-18 x 3/4	19	532124181	Spring, Compression, Seat
7	532131318	Latch, Hood	20	819132012	Washer 13/32 x 1-1/4 x 12 Ga.
8	532131053	Hood/Grill Asm. (Includes Key Nos. 9 and 10)	21	817490612	Screw Self Tapping
9	532130986	Lens, L.H.	22	532124346	Nut, Self-Threading, Washer Head 3/16
10	532130985	Lens, R.H.	23	532126470	Clip, Insulated
11	532128449	Bracket, Asm. Pivot Frame, L.H.	24	532124602	Bar, Shift Lock
12	532128808	Bracket, Asm. Pivot Frame, R.H.	25	532138314	Console, Shift Control
13	532133384	Assembly, Frame	26	819091413	Washer 9/32 x 7/8 x 13 Ga.
			27	532126938	Bumper, Hood
			32	817490516	Screw, Hex, Wsh Thd Rol 5/16-18 x 1

HARDWARE SHOWN LARGER FOR EASIER IDENTIFICATION

REPAIR PARTS

12 HP 36" TRACTOR - - LR120, PRODUCT NO. 954 00 05-82 (HU1236C)

SEAT



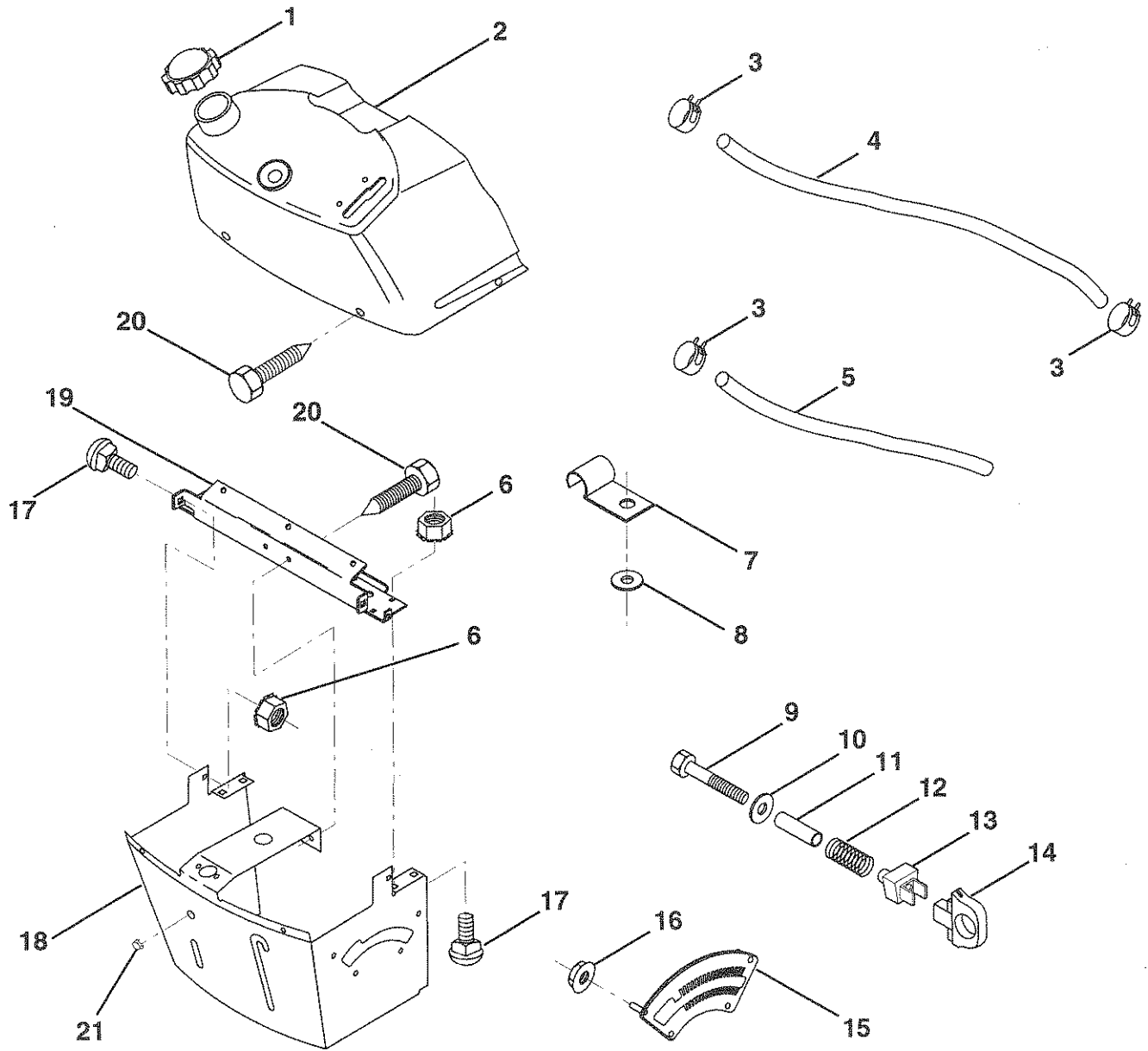
KEY NO.	PART NO.	DESCRIPTION	KEY NO.	PART NO.	DESCRIPTION
1	872050411	Bolt, Carriage 1/4-20 x 1-3/8	12	873680600	Nut, Crownlock 3/8-16 UNC
2	532130875	Seat	13	874780814	Bolt, Fin Hex 1/2-13 x 7/8 Gr. 5
3	874641008	Screw, Slotted Pan Head #10-32 x 1/2	14	810040800	Washer, Lock Hvy Hlcl Spr 1/2
4	873680500	Nut, Crownlock 5/16-18	15	819171912	Washer, 17/32 x 1-3/16 x 12 Ga.
5	532105529	Bolt, Shoulder 5/16-18 UNC	16	532127018	Bolt, Shoulder
6	532124967	Clip, Insulated	17	532121251	Strip, Foam
7	873951000	Nut, Keps #10-32 UNF	18	532123976	Nut, Hex Large Flange Lock
8	874760612	Bolt, Fin Hex 3/8-16 UNC x 3/4	19	532121248	Bushing, Snap
9	532126656	Bracket, Pivot Seat	20	532121250	Spring, Compression
10	532126471	Clip, Insulated	21	532134300	Spacer, Split 28 x .96
11	819133210	Washer 12/32 x 2 x 10 Ga.	22	532121246	Bracket, Switch, Mounting
			23	532131451	Pan, Seat

HARDWARE SHOWN LARGER FOR EASIER IDENTIFICATION

REPAIR PARTS

12 HP 36" TRACTOR - - LR120, PRODUCT NO. 954 00 05-82 (HU1236C)

DASH



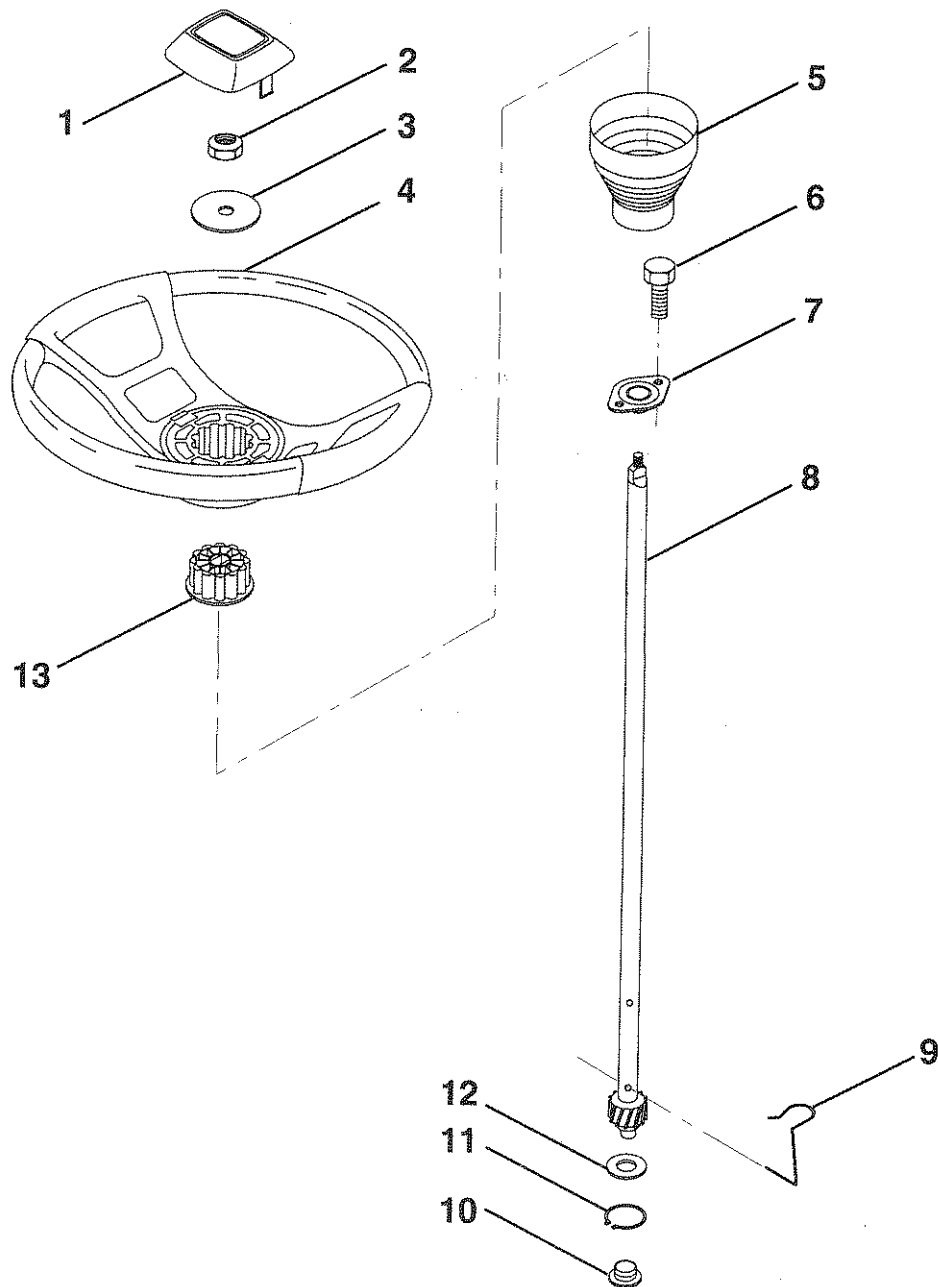
KEY NO.	PART NO.	DESCRIPTION	KEY NO.	PART NO.	DESCRIPTION
1	532132735	Cap, Fuel	12	532003720	Spring
2	532138395	Assembly, Dash & Fuel Tank	13	532126450	Clip, Height Adjustment
3	532123487	Clamp, Hose	14	532126115	Knob, Height Stop
4	532008544	Line, Fuel	15	532122023	Adjustment, Quadrant Height
5	532008548	Line, Fuel	16	532124346	Nut, Self-Threading 3/16-18
6	873510400	Nut, Hex, Keps 1/4-20	17	872110404	Bolt, Carriage 1/4-20 x 1/2 Gr. 5
7	532124996	Clip, Fuel Line	18	532130745	Support Assembly, Dash
8	819091216	Washer 9/32 x 3/4 x 16 Ga.	19	532134744	Brace, Cross
9	874760428	Bolt, Hex, Fin 1/4-20 x 1-3/4	20	817060408	Screw 1/4-20 x 1/2
10	819091413	Washer 11/32 x 11/16 x 16 Ga.	21	532134014	Plug, Dome
11	532121249	Spacer, Split			

HARDWARE SHOWN LARGER FOR EASIER IDENTIFICATION

REPAIR PARTS

12 HP 36" TRACTOR - - LR120, PRODUCT NO. 954 00 05-82 (HU1236C)

STEERING WHEEL



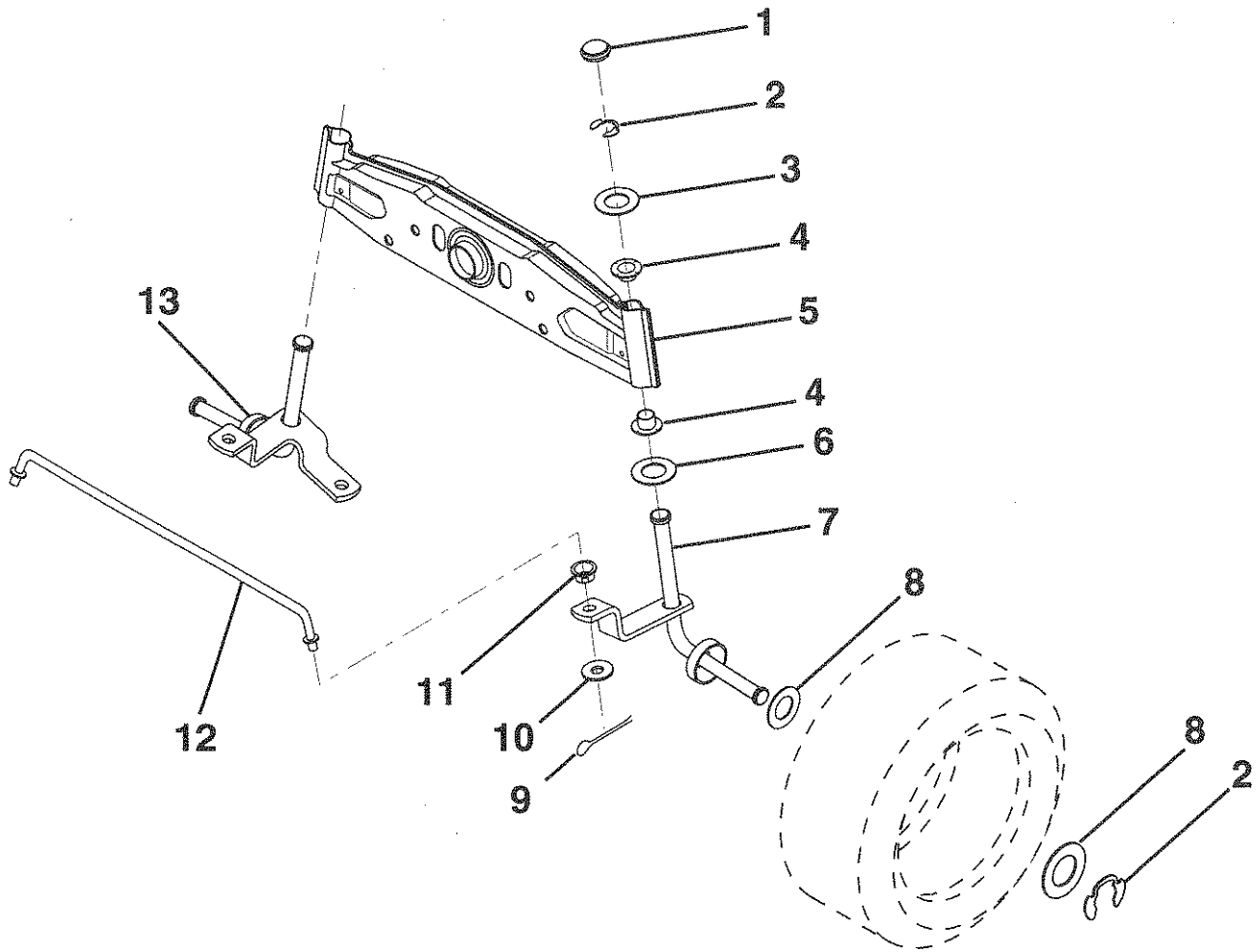
KEY NO.	PART NO.	DESCRIPTION	KEY NO.	PART NO.	DESCRIPTION
1	532124416	Insert, Wheel, Steering	8	532123651	Shaft, Steering
2	532124701	Nut, Lock 3/8-24 UNF	9	532124210	Clip, Steering
3	819133808	Washer 12/32 x 2-3/8 x 8 Ga.	10	532123438	Bushing, Lower, Steering
4	532124415	Wheel, Steering	11	812000045	Ring, Retaining
5	532127396	Sleeve, Steering	12	819211616	Washer 21/32 x 1 x 16 Ga.
6	817431008	Screw, Hex #10-16 x 1/2 TY-B	13	532104820	Adaptor, Wheel, Steering
7	532102803	Bushing, Steering			

HARDWARE SHOWN LARGER FOR EASIER IDENTIFICATION

REPAIR PARTS

12 HP 36" TRACTOR - - LR120, PRODUCT NO. 954 00 05-82 (HU1236C)

FRONT AXLE



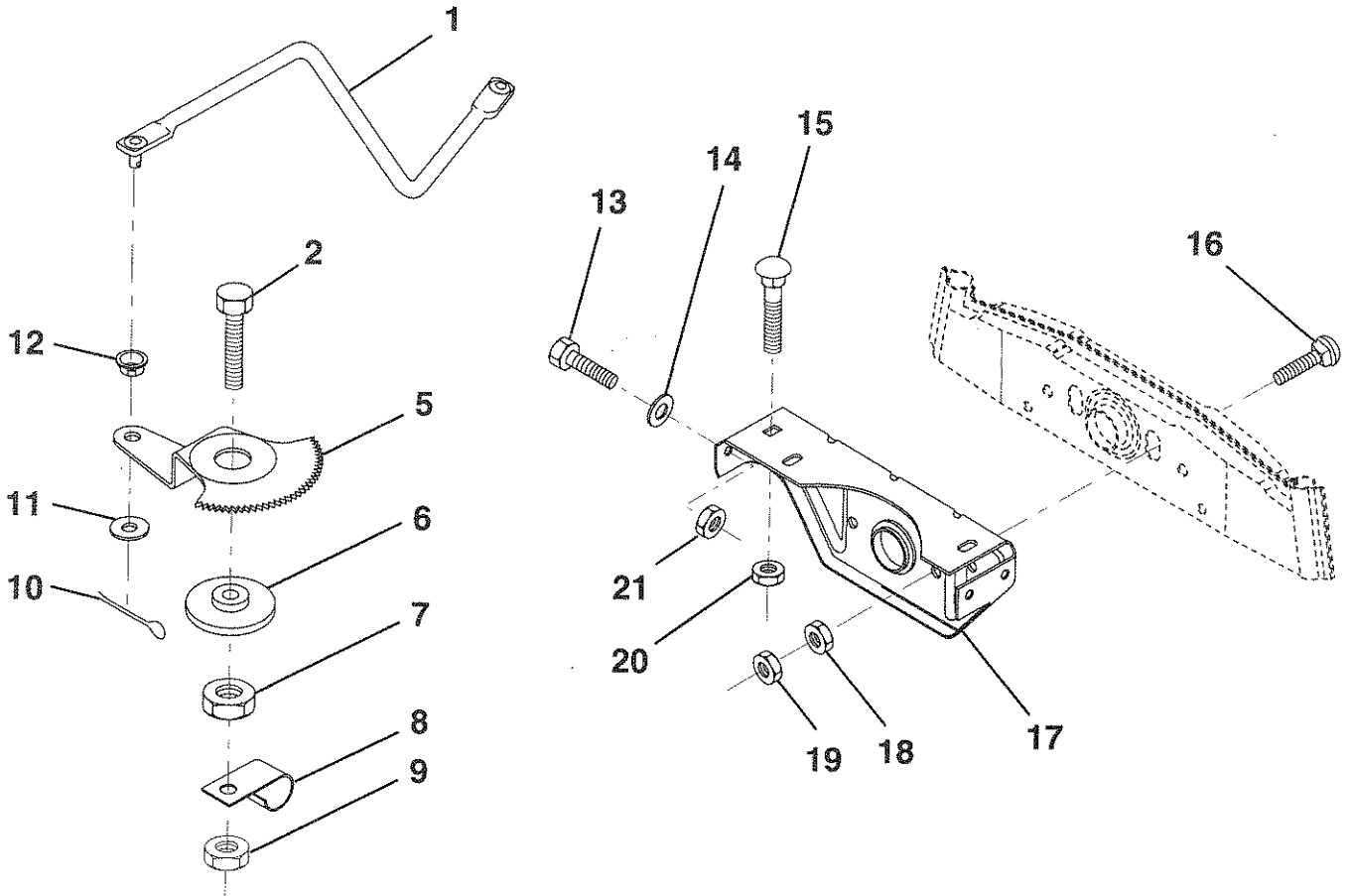
KEY NO.	PART NO.	DESCRIPTION	KEY NO.	PART NO.	DESCRIPTION
1	532121232	Cap, Spindle	7	532121919	Spindle, R.H. Asm.
2	812000029	Ring, Clip	8	532121749	Washer 25/32 x 1-1/4 x 16 Ga.
3	532121748	Washer 25/32 x 1-5/8 x 16 Ga.	9	876020412	Pin, Cotter 1/8 x 3/4
4	532121922	Nyliner	10	819131316	Washer 13/32 x 13/16 x 16 Ga.
5	532121914	Axle, Front	11	532126847	Bushing
6	532124931	Bearing, Thrust	12	532121924	Rod, Tie
			13	532121916	Spindle, L.H. Asm.

HARDWARE SHOWN LARGER FOR EASIER IDENTIFICATION

REPAIR PARTS

12 HP 36" TRACTOR - - LR120, PRODUCT NO. 954 00 05-82 (HU1236C)

SECTOR GEAR / AXLE SUPPORT



KEY NO.	PART NO.	DESCRIPTION
1	532132566	Link, Drag
2	874780828	Bolt, Fin Hex 1/2-13 x 1-3/4
5	532121926	Gear, Sector
6	532121927	Bushing
7	873030800	Nut, Heavy Hex Top Lock 1/2-13 UNC
8	532126472	Clip, Insulated
9	873680800	Nut, Crownlock 3/8-16
10	876020412	Pin, Cotter 1/8 x 3/4
11	819131316	Washer, 13/32 x 13/16 x 16 Ga.

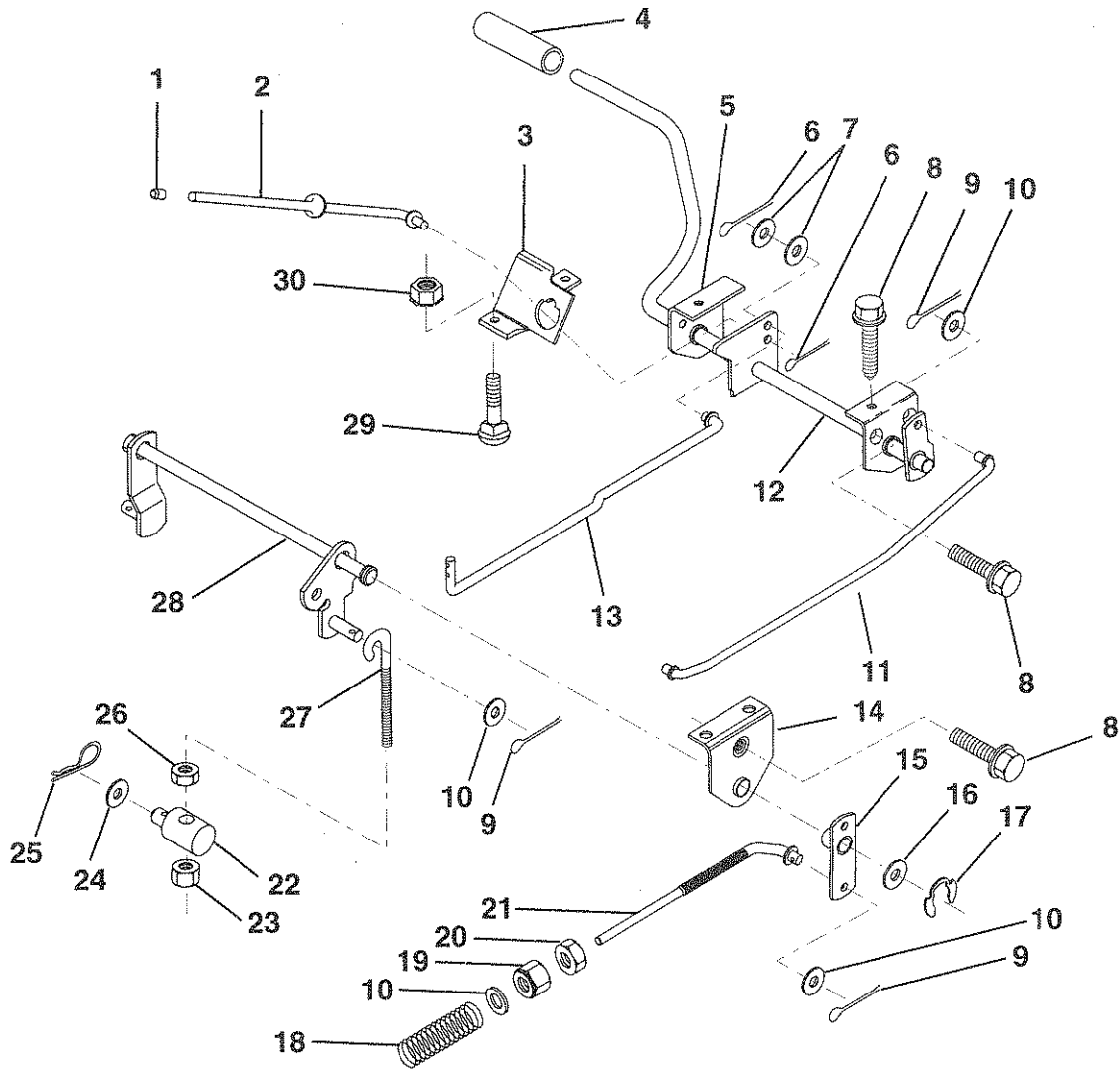
KEY NO.	PART NO.	DESCRIPTION
12	532126847	Bushing
13	874760516	Bolt, Hex Hd. 5/16-18 UNC x 1
14	819111416	Washer 11/32 x 7/8 x 16 Ga.
15	872110606	Bolt, Carriage 3/8-16 UNC x 3/4
16	872140622	Support, Carriage
17	532121912	Support, Front Axle
18	873220600	Nut, Fin Hex 3/8-16 UNC
19	873930600	Nut, Centerlock 3/8-16 UNC
20	873680600	Nut, Crownlock 3/8-16 UNC
21	873680500	Nut, Crownlock 5/16-18

HARDWARE SHOWN LARGER FOR EASIER IDENTIFICATION

REPAIR PARTS

12 HP 36" TRACTOR - - LR120, PRODUCT NO. 954 00 05-82 (HU1236C)

BRAKE / REAR MOWER LIFT ASSEMBLY



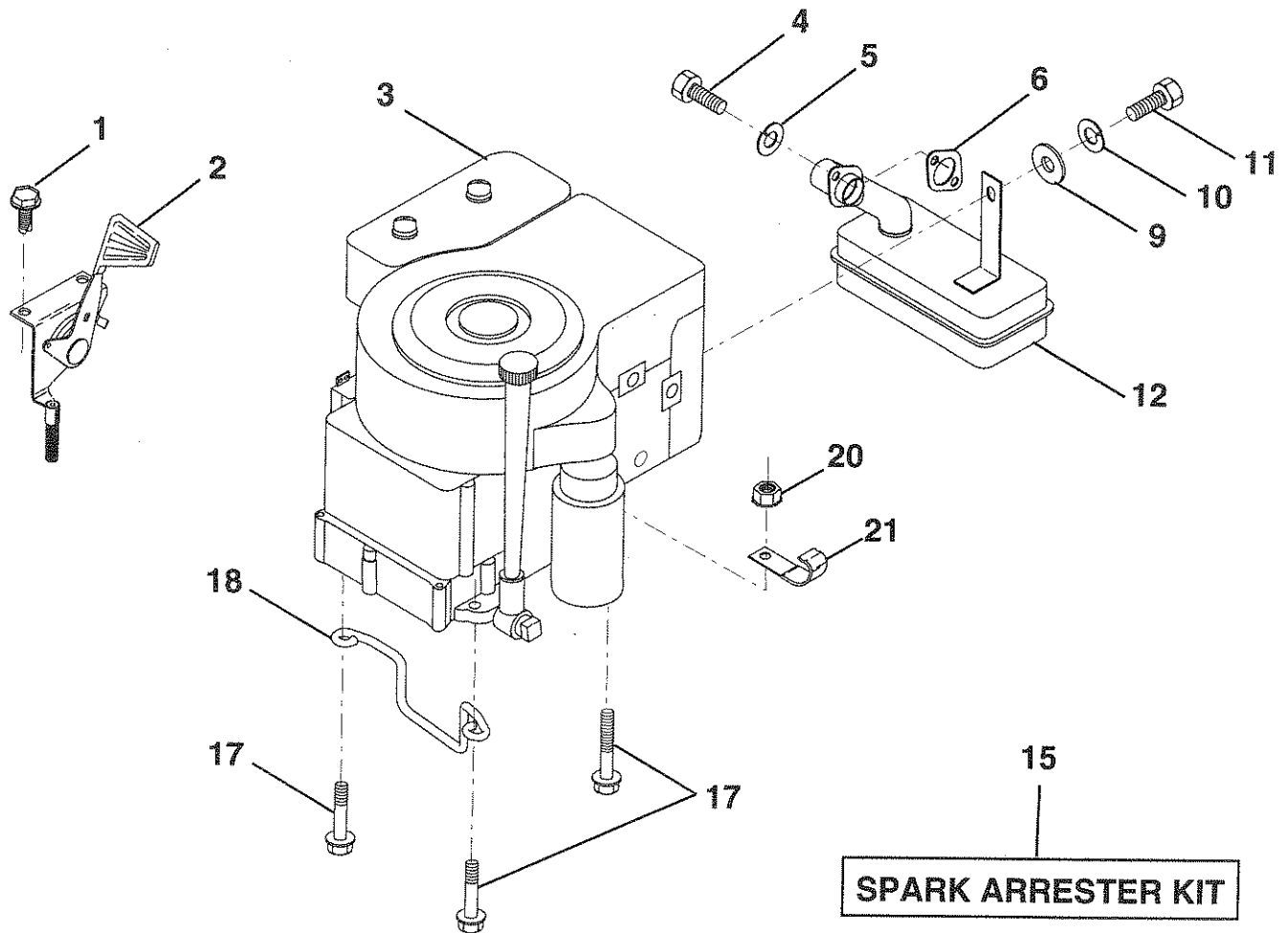
KEY NO.	PART NO.	DESCRIPTION	KEY NO.	PART NO.	DESCRIPTION
1	532071673	Cap, Plunger	16	819251816	Washer 25/32 x 1-1/8 x 16 Ga.
2	532123436	Rod, Parking Brake	17	812000034	Ring, Klip
3	532123437	Bracket, Parking Brake	18	532106888	Spring, Brake Rod
4	532008156	Cover, Pedal	19	873680600	Nut, Crownlock 3/8 - 16
5	532122504	Bracket, Clutch/Brake Pedal, L.H.	20	873350600	Nut, Hex, Jam 3/8-16 UNC
6	876020312	Pin, Cotter 3/32 x 3/4	21	532131460	Rod, Rear Brake
7	819131016	Washer 13/32 x 5/8 x 16 Ga.	22	532127378	Trunnion, Lift
8	817490508	Screw, Hex, Thd. Roll. 5/16-18 x 1/2	23	873680600	Nut, Crownlock 3/8-16 UNC
9	876020412	Pin, Cotter 1/8 x 3/4	24	819132012	Washer 13/32 x 1-1/4 x 12 Ga.
10	819131316	Washer 13/32 x 13/16 x 16 Ga.	25	532124961	Spring, Retainer
11	532123543	Rod, Brake Front	26	873930600	Nut, Centerlock 3/8-16 UNC
12	532139933	Assembly, Clutch/Brake Pedal	27	532127369	Link, Threaded
13	532123394	Rod, Clutch	28	532127358	Assembly, Rear Mower Lift
14	532121978	Bracket, Lift, Shaft	29	872110506	Bolt, Carriage 5/16-18 UNC x 3/4
15	532123641	Assembly, Brake, Pivot, Arm	30	873510500	Nut, Keps 5/16-16 UNC

HARDWARE SHOWN LARGER FOR EASIER IDENTIFICATION

REPAIR PARTS

12 HP 36" TRACTOR - - LR120, PRODUCT NO. 954 00 05-82 (HU1236C)

ENGINE / THROTTLE



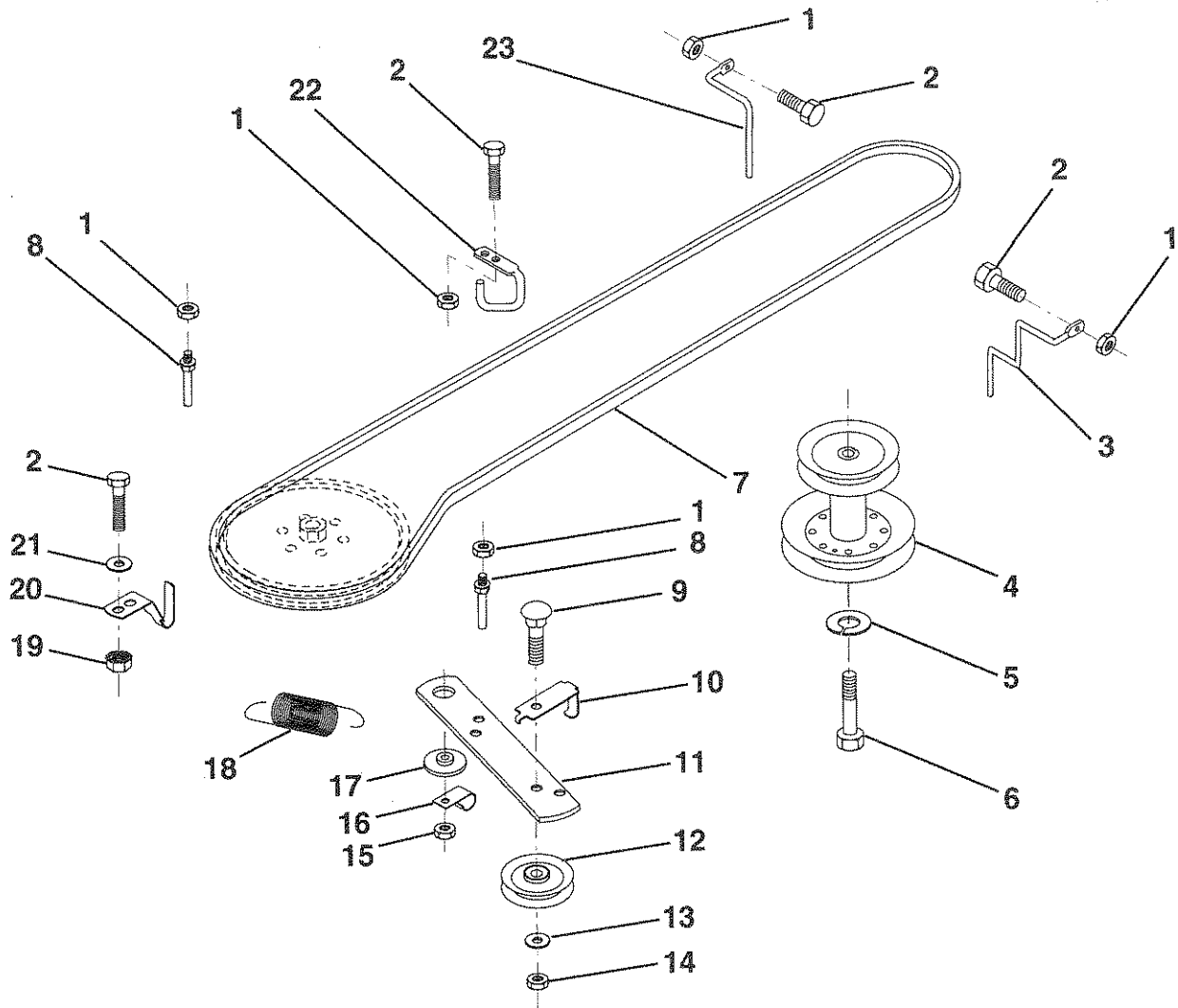
KEY NO.	PART NO.	DESCRIPTION	KEY NO.	PART NO.	DESCRIPTION
1	817060408	Screw, Tapping 1/4-20 x 1/2	11	-----	Bolt (order from engine manufacturer)
2	532132752	Control, Throttle	12	532137437	Muffler
3	-----	Engine, Briggs and Stratton Model No. 283707	15	532137180	Arrester, Spark (Optional Equipment)
4	871070512	Screw, Hex, Cap 5/16-18 x 3/4	17	817490624	Screw, Hex Washer Head, Thdrol. 3/8-16 x 1-1/2
5	810040500	Washer, Lock Heavy Helical Spring 5/16	18	532126636	Keeper, Ground Drive Belt
6	532125593	Gasket, Exhaust	20	873510600	Nut, Keps 3/8-16
9	819101216	Washer 5/16 x 3/4 x 16	21	532124996	Clip, Fuel Line
10	810040400	Washer, Lock Heavy Hlcl Sprg 1/4			

HARDWARE SHOWN LARGER FOR EASIER IDENTIFICATION

REPAIR PARTS

12 HP 36" TRACTOR - - LR120, PRODUCT NO. 954 00 05-82 (HU1236C)

GROUND DRIVE



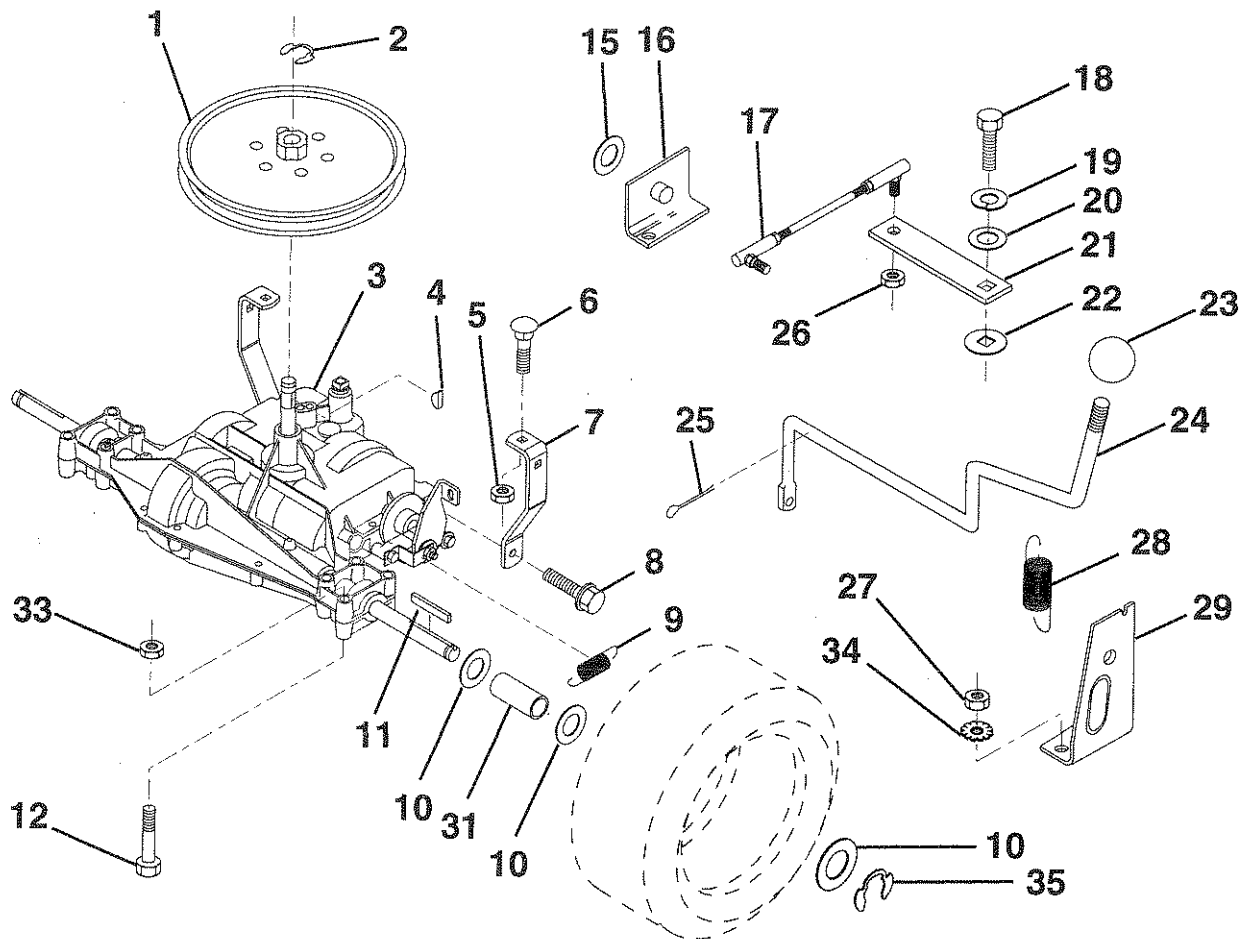
KEY NO.	PART NO.	DESCRIPTION	KEY NO.	PART NO.	DESCRIPTION
1	873680500	Nut, Crownlock 5/16-18	13	819131316	Washer 13/32 x 13/16 x 16 Ga.
2	874760512	Bolt, Hex Hd 5/16-18 UNC x 3/4	14	873930600	Nut, Centerlock 3/8-16 UNC
3	532131205	Keeper, Mower Drive, R. H.	15	873680600	Nut, Crownlock 3/8-16 UNC
4	532138029	Pulley, Engine	16	532126471	Clip, Insulated
5	810040700	Washer, Lock 7/16	17	532122052	Spacer, Retainer
6	871170744	Bolt, Fin. Hex 7/16-20	18	532131459	Spring Extension
7	532124525	Traction, V-Belt Drive	19	873510500	Nut, Keps 5/16-18 UNC
8	532123405	Keeper, T/A Ground Drive Belt	20	532139919	Keeper, T/A Ground Drive Belt
9	872140612	Bolt, Carr. 3/8-16 UNC x 1-1/2	21	819111016	Washer 11/32 x 5/8 x 16 Ga.
10	532123396	Keeper, Belt Ground Drive Idler	22	532123404	Keeper, Frame Ground Drive Belt
11	532123395	Arm, Ground Drive Clutch	23	532131204	Keeper, Mower Drive, L. H.
12	532123674	Idler, Flat			

HARDWARE SHOWN LARGER FOR EASIER IDENTIFICATION

REPAIR PARTS

12 HP 36" TRACTOR - - LR120, PRODUCT NO. 954 00 05-82 (HU1236C)

TRANSAXLE

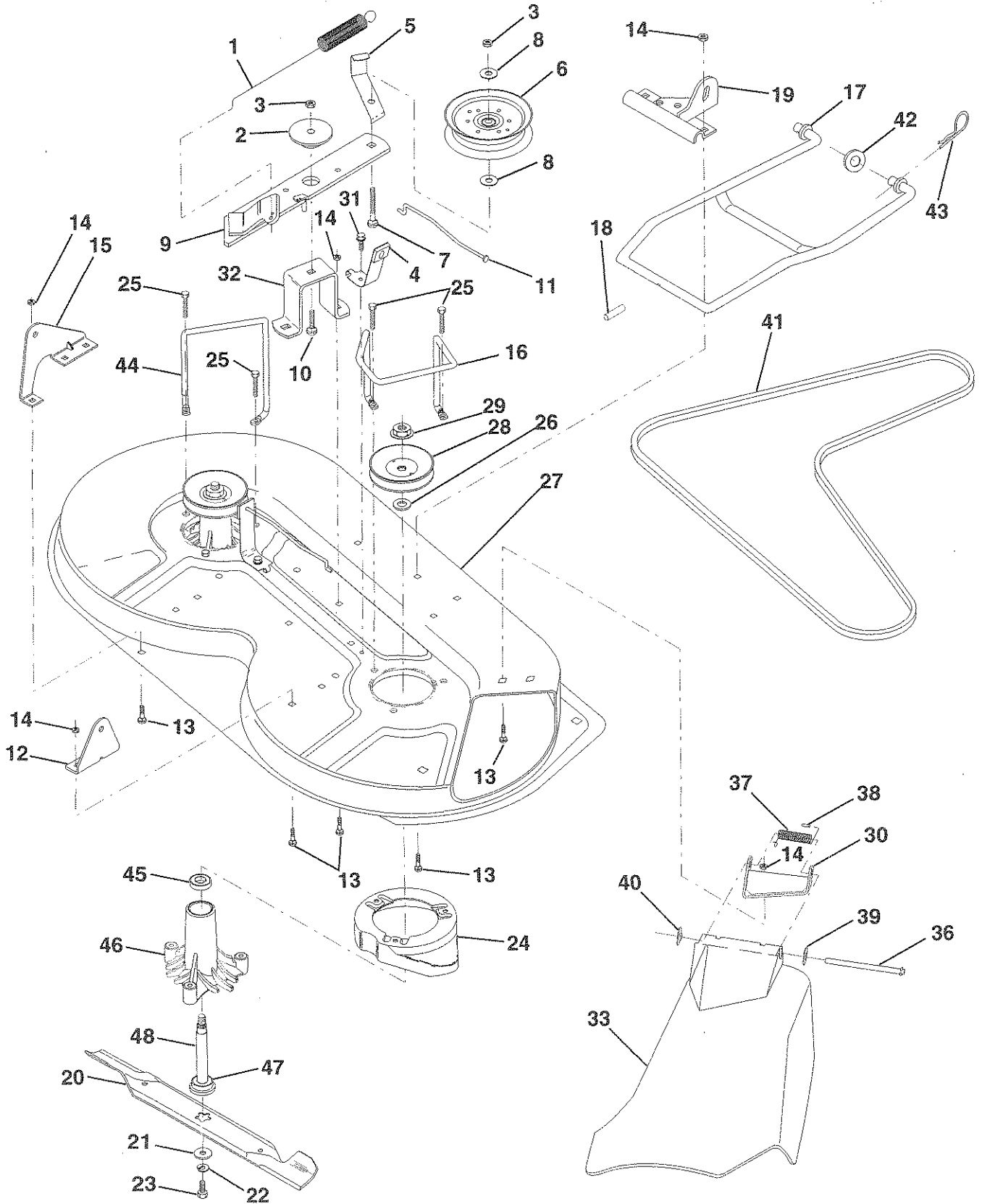


KEY NO.	PART NO.	DESCRIPTION	KEY NO.	PART NO.	DESCRIPTION
1	532123385	Pulley	18	871040412	Bolt, Fin Hex 1/4-28 UNF x 3/4 Gr. 8
2	812000028	Ring, Retainer	19	810040400	Washer, Lock 1/4
3	532137365	Transaxle, 5 Speed, Dana Model #4360-50	20	819091210	Washer 9/32 x 3/4 x 10 Ga.
4	532125096	Key, Woodruff #9	21	532123484	Arm, Shift
5	873680500	Nut, Crownlock 5/16-18	22	532105701	Washer, Shift Plate
6	872140506	Bolt, Carriage 5/16-18 UNC x 3/4	23	532106933	Knob
7	532123378	Strap, Torque	24	532128215	Handle, Shift Rod
8	817490512	Screw Thdrol. 5/16-18 x 3/4	25	876020416	Pin, Cotter 1/8 x 1
9	532110422	Spring, Brake	26	873810500	Nut, Hex Nylon
10	532121749	Washer 25/32 x 1-1/4 x 16 Ga.	27	873510500	Nut, Keps 5/16-18
11	532123583	Key, Square	28	532128085	Extension, Spring
12	874760644	Bolt Hex 3/8-16 x 2-3/4	29	532128084	Support Handle Shift RH
15	819171616	Washer 17/32 x 1 x 16 Ga	31	532123409	Spacer, Split
16	532124600	Support Handle Shift LH	33	873680600	Nut, Crownlock 3/8 - 16
17	532123632	Link, Shift	34	811050500	Washer, Ext., Tooth, Lock 5/16
			35	812000001	E-Ring

HARDWARE SHOWN LARGER FOR EASIER IDENTIFICATION

PIECES DE RECHANGE

TRACTEUR DE 12 C.V. DE 36 PO. -- LR120, NO. DE PRODUIT 954 00 05-82 (HU1236C)
CARTER DE TONDEUSE



REPAIR PARTS

12 HP 36" TRACTOR - - LR120, PRODUCT NO. 954 00 05-82 (HU1236C)

MOWER DECK

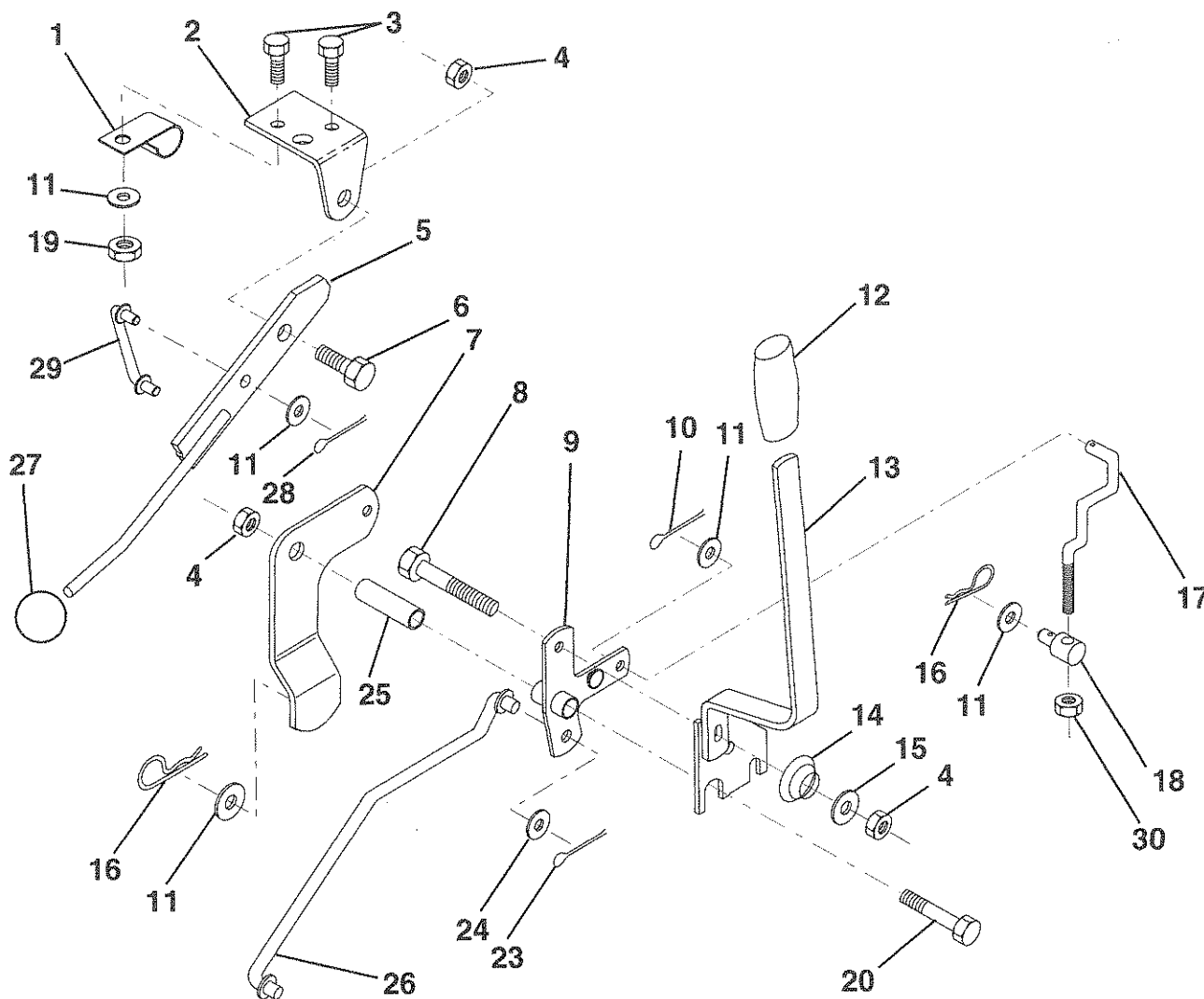
KEY NO.	PART NO.	DESCRIPTION
1	532127743	Spring, Mower Clutch
2	532122052	Spacer, Retainer
3	873680600	Nut, Crownlock
4	532130840	Brake Asm.
5	532131251	Guide, Belt Idler
6	532123688	Pulley, Flat Idler
7	872110616	Bolt, Carr. 3/8-16 x 1-3/4 Gr. 5
8	819131410	Washer 13/21 x 7/8 x 10 Ga.
9	532127744	Arm Asm., Idler Mower
10	872110608	Bolt, Carriage 3/8-16 x 1
11	532130841	Rod, Brake
12	532127356	Bracket, Lift R. H. Rear
13	872140505	Bolt, Carriage 5/16-18 x 5/8
14	873680500	Nut, Crownlock 5/16-18
15	532127357	Bracket, Lift L. H. Rear
16	532130837	Keeper, R. H.
17	532128508	Link, Asm. Mower Stabilizer
18	532128511	Pin, Drive
19	532127380	Bracket, Asm. Front
20	532127841	Blade
21	532129962	Washer, Hard
22	810030600	Washer, Lock 3/8
23	532850857	Bolt 3/8-24 x 1-1/4 Gr. 8
24	532136929	Stripper
25	532078158	Bolt 5/16-18 x 1-1/4
26	532129963	Washer .150 Thk.
27	532129983	Deck Assembly
28	532129207	Pulley, Mandrel
29	532137266	Nut, Centerlock 9/16
30	532136631	Bracket, Asm. Deflector
31	817490508	Screw, Hex Wsh. Thdrol. 5/16-18 x 1/2
32	532122051	Arm, Support Idler Mower
33	532131560	Deflector
36	532121980	Rod, Hinge
37	532123713	Spring, Torsion Deflector
38	532105304	Cap, Sleeve
39	819111016	Washer 11/32 x 5/8 x 16 Ga.
40	532110452	Pushnut
41	532131264	V-Belt
42	819171616	Washer 11/32 x 5/8 16 Ga.
43	532124660	Retainer, Spring
44	532130836	Keeper, L. H.
45	532110485	Bearing
46	532128774	Housing Mandrel Vented
47	532129895	Bearing
48	532137645	Shaft, Mandrel (Includes Key No. 47)
--	532130794	Mandrel Asm. (Includes Key Nos. 21- 23, 26, 29 and 45-48)
--	532136317	Deck Service Complete

HARDWARE SHOWN LARGER FOR EASIER IDENTIFICATION

REPAIR PARTS

12 HP 36" TRACTOR - - LR120, PRODUCT NO. 954 00 05-82 (HU1236C)

MOWER LIFT LEVER



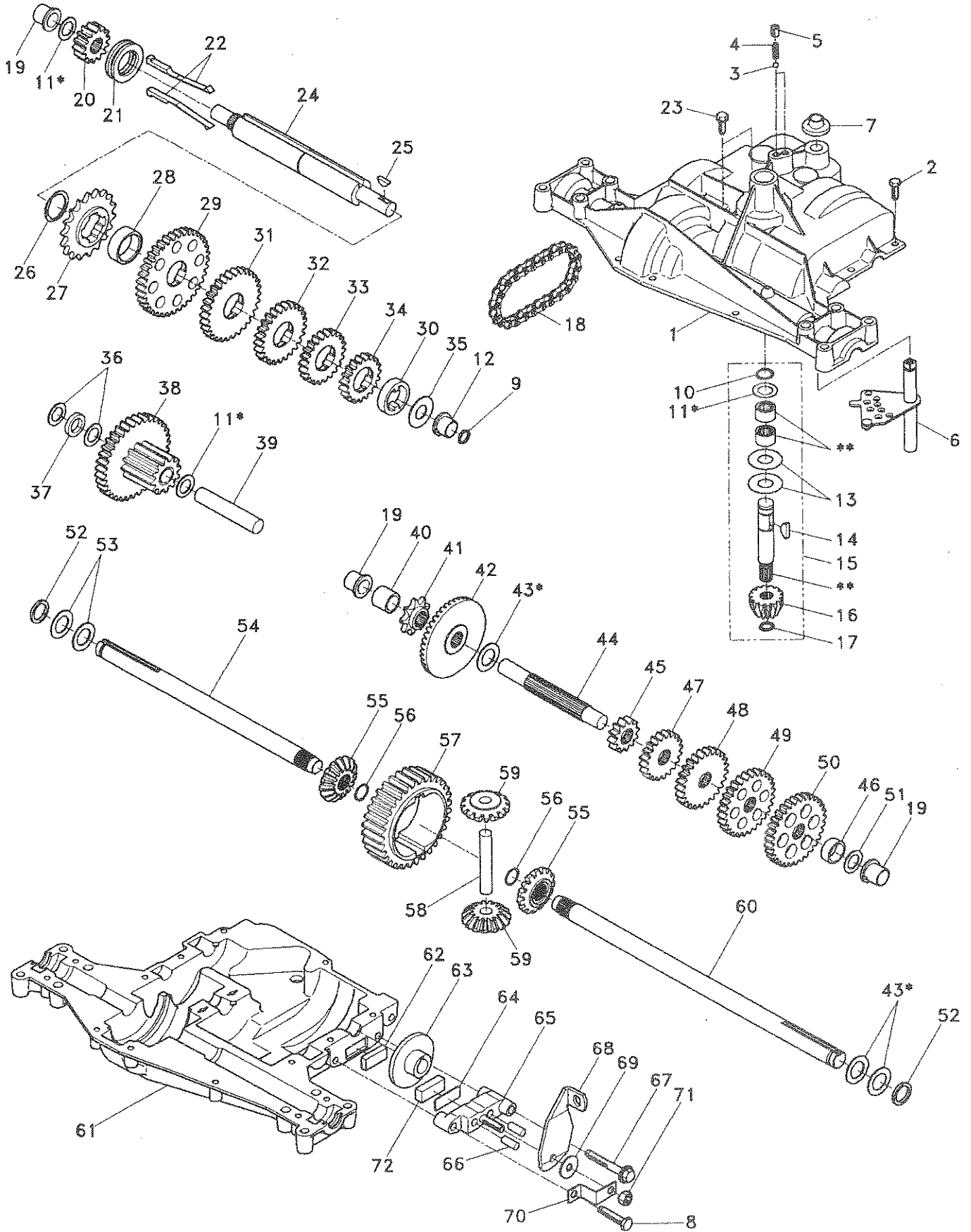
KEY NO.	PART NO.	DESCRIPTION	KEY NO.	PART NO.	DESCRIPTION
1	532126470	Clip, Insulated	15	819131212	Washer 13/32 x 3/4 x 12 Ga.
2	532122018	Bracket, Mower Clutch	16	532124961	Retainer, Spring
3	874780408	Bolt, Fin. Hex	17	532127359	Link, Front Lift
		1/4-20 UNC x 1/2 Gr. 5	18	532133205	Trunnion, Threaded 3/8-16
4	873680600	Nut, Crownlock 3/8-16 UNC	19	873680400	Nut, Crownlock 1/4-20
5	532123417	Assembly, Clutch Lever	20	874760644	Bolt, Fin. Hex
6	532106451	Bolt, Shoulder			3/8-16 UNC x 2-3/4
7	532135371	Assembly, Mower Clutch Arm	23	876020416	Pin, Cotter 1/8 x 1
8	874760636	Bolt, Hex 3/8-16 UNC x 2-1/4	24	819171616	Washer 17/32 x 1 x 16 Ga.
9	532121930	Assembly, Bracket Lift	25	532121933	Tube, Spacer
10	876020412	Pin, Cotter 1/8 x 3/4	26	532121934	Rod, Mower Lift
11	819131316	Washer 13/32 x 13/16 x 16 Ga.	27	532106932	Knob
12	532131861	Grip, Handle	28	876020312	Pin, Cotter 3/32 x 3/4
13	532139352	Assembly, Lift Handle	29	532131655	Link, Mower Clutch
14	532123496	Spring, Compression	30	873350600	Nut, Hex 3/8-16

HARDWARE SHOWN LARGER FOR EASIER IDENTIFICATION

SERVICE NOTES

PIECES DE RECHANGE

TRACTEUR DE 12 C.V. DE 36 PO. -- LR120, NO. DE PRODUIT 954 00 05-82 (HU1236C)
TRASSMISSION DANA -- NUMÈRO DE MODÈLÈ 4360-50



REPAIR PARTS

12 HP 36" TRACTOR - - LR120, PRODUCT NO. 954 00 05-82 (HU1236C)

DANA TRANSAXLE MODEL NUMBER 4360-50

KEY PART NO. NO.

DESCRIPTION

1	532138248	Housing, Upper
2	532002274	Screw, Self-Tapping, Large 1/4-20 x .734
3	532134400	Ball, Detent
4	532105904	Spring, Detent
5	532105905	Screw, Set
6	532138235	Kit, Shifter Assembly
7	532134399	Boot, Shifter
8	532106596	Screw, Self-Tapping, Large 5/16-18 x 1.44
9	532138241	Square Ring
10	532002267	Ring, Retaining
11	532134793	* Assembly, Kit, Shim .625 Shaft
12	532138240	Bearing, Flange
13	532120415	Washer, Plain .632 x 1.38 x .046
14	532002257	Key, Woodruff, #9
15	532138234	Assembly, Kit, Input Shaft
16	532110078	Pinion, Bevel, 14 Teeth
17	532105909	Ring, Retaining
18	532105910	Chain, 24 Pitches
19	532105911	Bearing, Flange
20	532138242	Gear, Spur, 14 Teeth
21	532138246	Collar, Clutch
22	532138236	Assembly, Kit, Clutch Keys
23	532134791	Screw, Self-Tapping, with Sealer
24	532138243	Shaft, Intermediate
25	532002244	Key, Woodruff, #61
26	532105916	Ring, Retaining
27	532120470	Sprocket, 18 Teeth
28	532110070	Spacer
29	532108977	Gear, Spur, 37 Teeth
30	532134797	Spacer 1.133 x 1.50 x .375
31	532120405	Gear, Spur, 30 Teeth
32	532108980	Gear, Spur, 25 Teeth
33	532120406	Gear, Spur, 22 Teeth
34	532134796	Gear, Spur, 19 Teeth
35	532105925	Washer, Plain .640 x 1.37 x .061
36	532002232	Washer, Plain .632 x 1.00 x .026
37	532108978	Spacer .630 x 1.00 x .169
38	532110079	Assembly, Gear, Combination of 12 Teeth and 35 Teeth
39	532124639	Shaft, Idler

KEY PART NO. NO.

DESCRIPTION

40	532120472	Spacer .635 x .875 x .755
41	532105928	Sprocket, 9 Teeth
42	532110084	Gear, Bevel, 42 Teeth
43	532134394	* Assembly, Kit, Shim .750 Shaft
44	532120473	Shaft, Drive
45	532105933	Gear, Spur, 12 Teeth
46	532105936	Spacer .781 x 1.00 x .375
47	532120407	Gear, Spur, 20 Teeth
48	532106589	Gear, Spur, 25 Teeth
49	532120408	Gear, Spur, 28 Teeth
50	523105937	Gear, Spur, 31 Teeth
51	532002226	Washer, Plain .632 x 1.00 x .060
52	532134401	Washer, Neoprene
53	532002264	Washer, Plain .758 x 1.25 x .031
54	532123907	Axle, L.H.
55	532110081	Gear, Miter, 15 Teeth
56	532105941	Ring, Retaining
57	532110071	Gear, Spur, 32 Teeth
58	532120952	Shaft, Cross
59	532110082	Gear, Miter, 15 Teeth
60	532123908	Axle, R.H.
61	532138247	Housing, Lower
62	532120961	Puck, Friction
63	532007294	Disc, Brake
64	532108989	Spacer
65	532120953	Jaw, Brake
66	532120954	Pin, Dowel
67	532134799	Screw, Self-Tapping, Large 5/16-18 x 2.25
68	532138244	Lever, Actuating
69	532108996	Washer, Plain .321 x 1.00 x .055
70	532120956	Bracket, Anti-Rotation
71	873810500	Locknut 5/16-24
72	532120951	Puck, Friction
73	532120416	Grease

* Use in combinations to maintain proper clearances

** Order Key No. 15

NOTE: All component dimensions given in U.S. inches
1 inch = 25.4 mm