

LT 100/112/120



1.1994

Spare parts

Ersatzteile

Pièces détachées

Reserve onderdelen

Repuestos

Reservdelar

Replaces

Ersetzt

Remplace

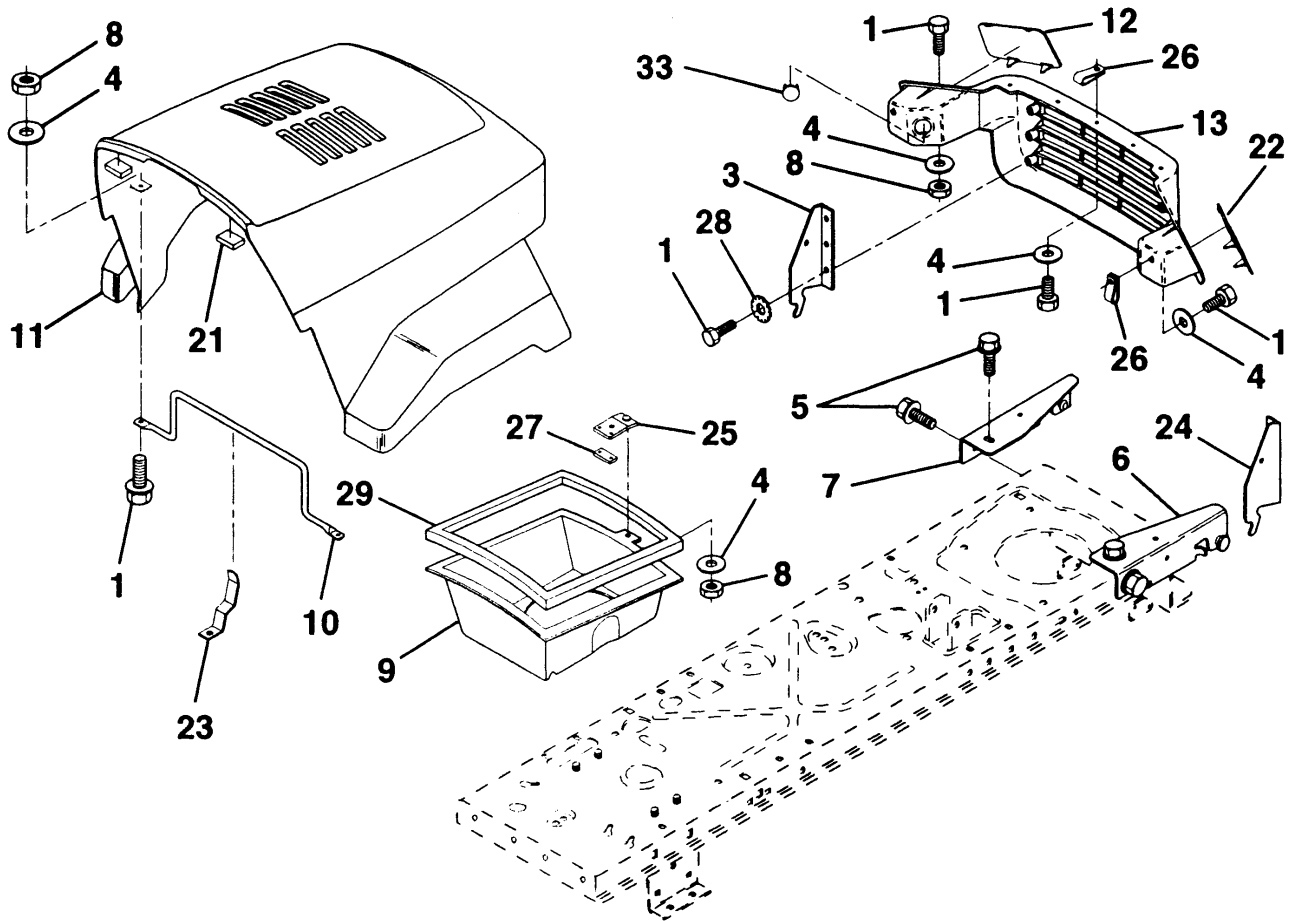
Vervangt

Reemplaza

Ersätter

106 23 08-63

A



**KEY PART
NO. NO.**

DESCRIPTION

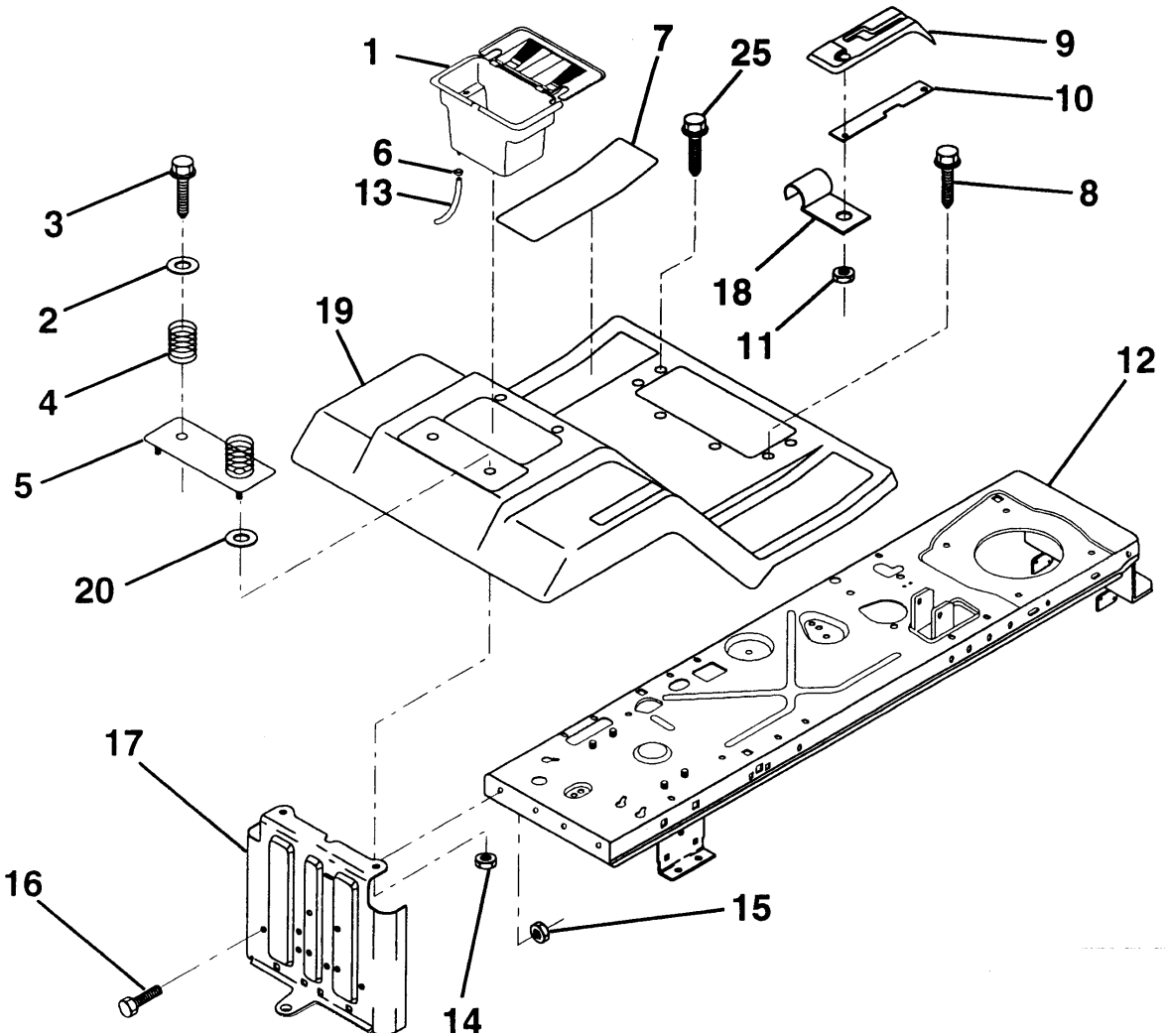
1	874 78 04-10	Bolt Fin Hex 1/4-20 x 5/8
3	532 12 84-45	Bracket Pivot Hood LH
4	819 09 10-16	Washer, Flat 1/4
5	817 49 05-12	Screw Thdrol 5/16-28 x 3/4
6	532 14 00-51	Bracket Asm. Pivot Hood RH
7	532 14 00-50	Bracket Asm. Pivot Hood LH
8	873 22 04-00	Nut Fin Hex 1/4-20
9	532 12 38-40	Duct Air Hood LT112/120
10	532 13 08-50	Brace Hood
11	532 14 01-42	Hood
12	532 13 09-86	Lens LH

**KEY PART
NO. NO.**

DESCRIPTION

13	532 13 09-84	Grille
21	532 12 69-38	Bumper Hood
22	532 13 09-85	Lens RH
23	532 13 99-69	Latch Hood
24	532 12 84-46	Bracket Pivot Hood RH
25	532 13 10-37	Clip Asm. Duct Air LT112t120
26	532 05 29-21	Clip Tinnerman
27	532 13 10-28	Clip Tinnerman LT112/120
28	811 05 04-00	Washer Lock Ext. Tooth
29	532 12 05-37	Strip Foam LT112/120
33	532 13 13-19	Plug Socket Light LT100/112

HARDWARE SHOWN LARGER FOR EASIER IDENTIFICATION

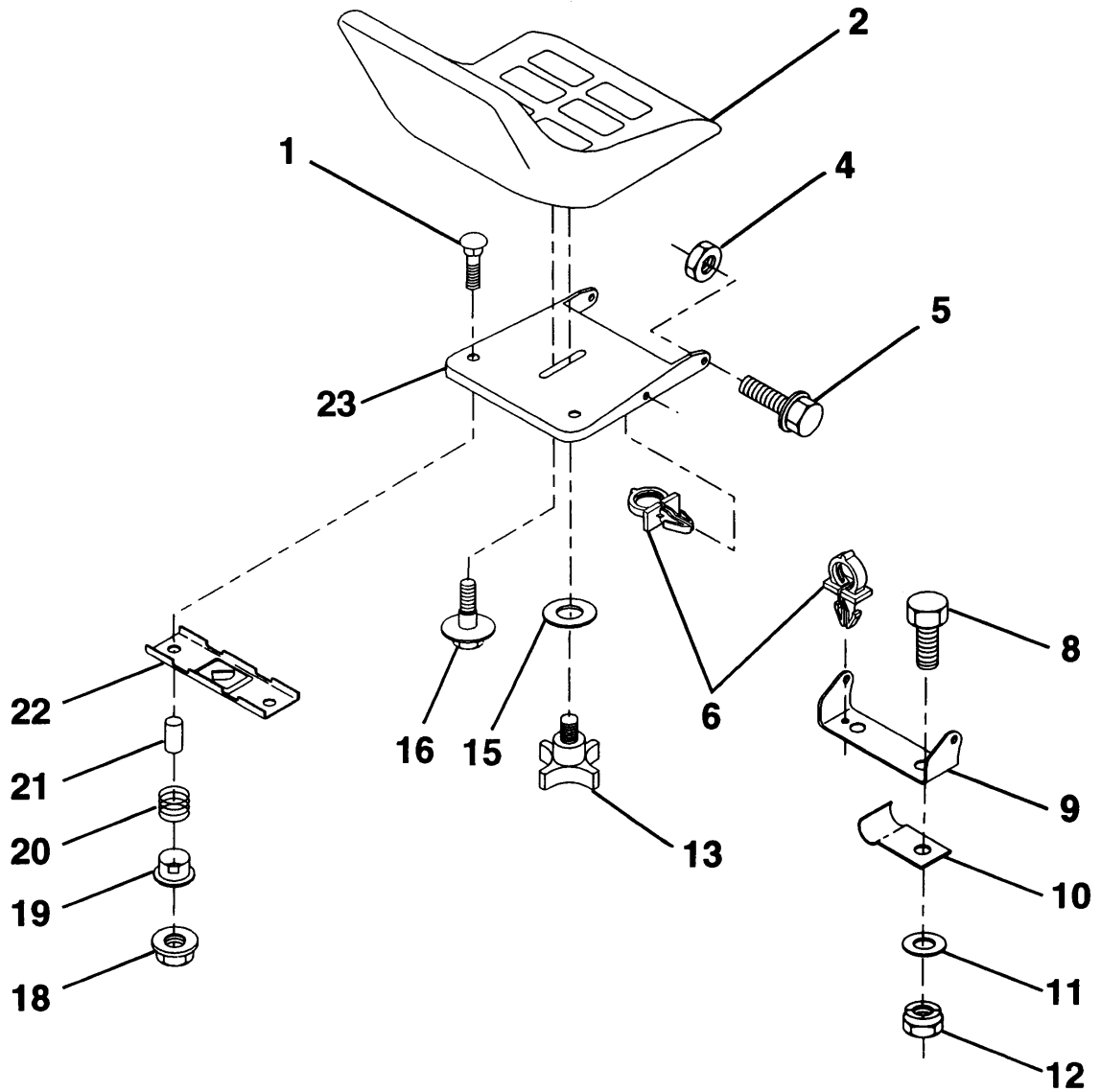


KEY NO.	PART NO.	DESCRIPTION
1	532 12 99-65	Case, Battery
2	819 13 20-12	Washer 13/32 x 1-1/4 x 12 Ga.
3	817 49 06-12	Screw, Hex Wsh. Thrdrol 3/8-16x314
4	532 12 41-81	Spring, Compression, Seat
5	532 12 51-42	Plate, Asm. Battery
6	532 10 95-96	Clamp, Hose
7	532 12 41-44	Pad, Footrest
8	817 49 05-12	Screw Thdrol 5/16-18 x 3/4
9	532 12 69-96	Console, Shift Control
10	532 13 97-83	Bar, Shift Lock

KEY NO.	PART NO.	DESCRIPTION
11	532 12 43-46	Nut, Self-Threading, Wsher Hd 3/16
12	532 14 07-84	Assembly, Frame
13	532 10 92-38	Tube, Battery Drain
14	873 51 04-00	Nut, Keps 1/4-20 UNC
15	873 68 05-00	Nut, Crownlock 5/16-18
16	874 76 05-12	Bolt, Hex Hd. 5/16-18 UNC x 3/4
17	532 12 78-80	Drawbar
18	532 12 64-70	Clip, Insulated
19	532 12 51-41	Fender/Footrest
20	819 09 14-13	Washer 9/32 x 7/8 x 13 Ga.
25	817 49 05-16	Scr-Hx Wsh Thd Rol 5/16-18 x 1

HARDWARE SHOWN LARGER FOR EASIER IDENTIFICATION

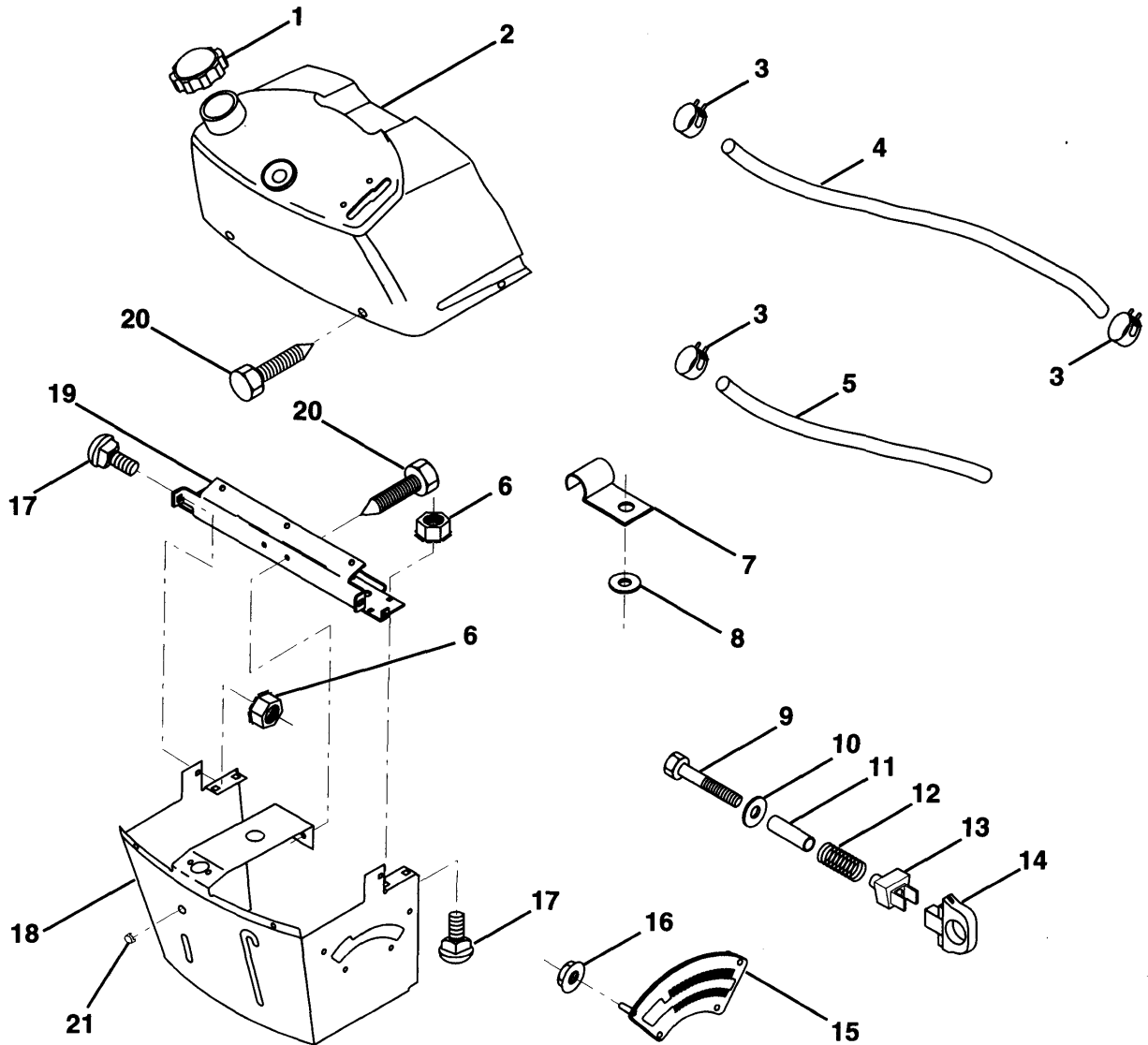
C



KEY NO.	PART NO.	DESCRIPTION
1	872 05 04-11	Bolt, Carriage 1/4-20 x 1-3/8
2	532 12 73-98	Seat
4	873 68 05-00	Nut, Crownlock 5/16-18
5	532 10 55-29	Bolt, Shoulder 5/16-18 UNC
6	532 14 04-07	Clip, Insulated
8	874 76 06-12	Bolt, Fin Hex 3/8-16 UNC x 3/4
9	532 14 05-51	Bracket, Pivot Seat
10	532 12 64-71	Clips, insulated
11	819 13 12-10	Washer 12/3 2 x 2 x 10 Ga.

KEY NO.	PART NO.	DESCRIPTION
12	873 68 06-00	Nut, Crownlock 3/8-16 UNC
13	532 12 00-68	Knob, Seat
15	819 17 19-12	Washer, 17/32 x 1-3/16 x 12 Ga.
16	532 12 70-18	Bolt, Shoulder
18	532 12 39-76	Nut, Hex Large Flange Lock
19	532 12 12-48	Bushing, Snap
20	532 12 12-50	Spring, Compression
21	532 13 43-00	Spacer, Split 28 Id. x .96 Lg.
22	532 12 12-46	Bracket, Switch, Mounting
23	532 14 05-52	Pan, Seat

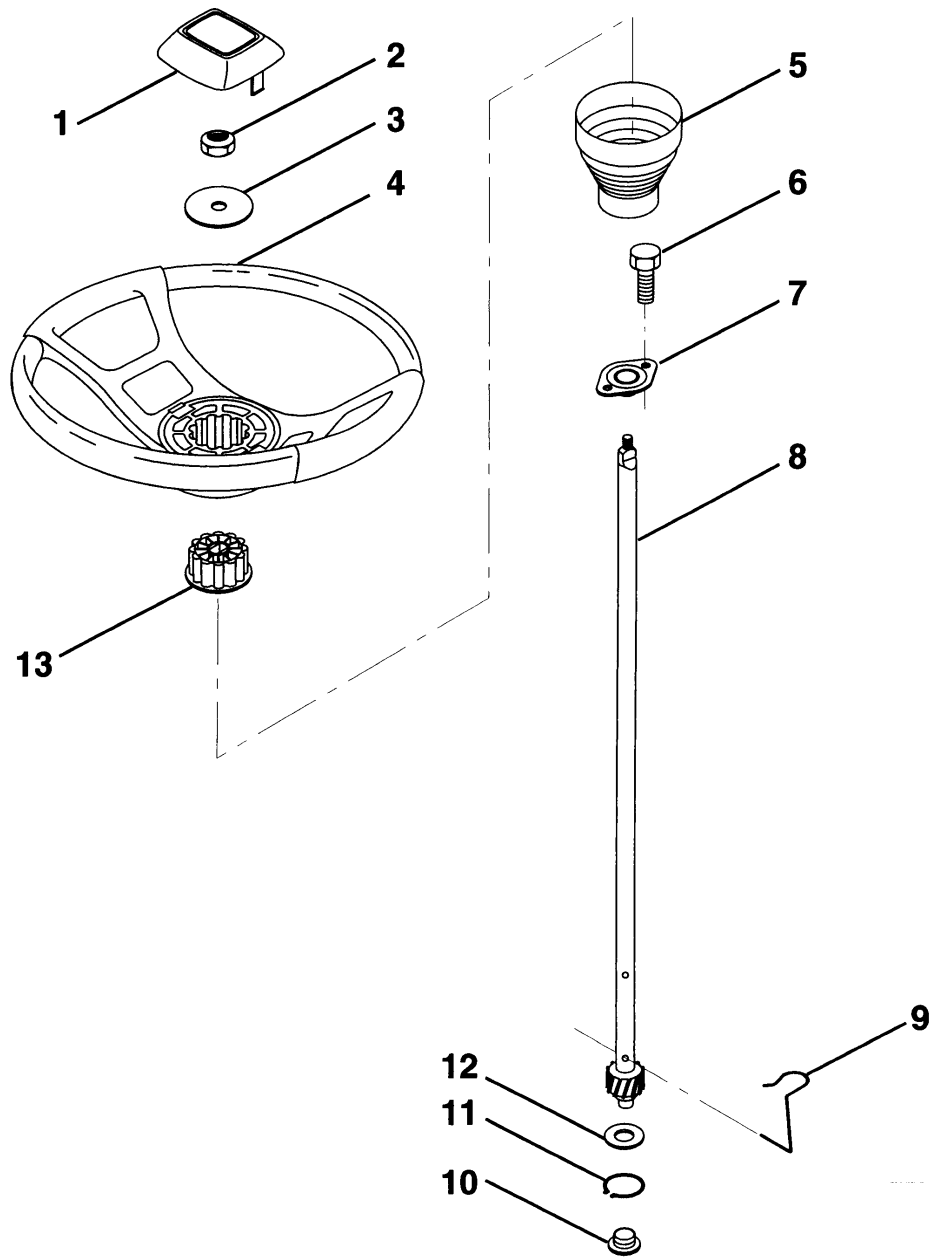
HARDWARE SHOWN LARGER FOR EASIER IDENTIFICATION



KEY NO.	PART NO.	DESCRIPTION
1	532 13 27-35	Cap, Fuel
2	532 13 83-94	Assembly, Dash & Fuel Tank
3	532 12 34-87	Clamp Hose
4	532 00 85-44	Line, Fuel
5	532 00 85-48	Line, Fuel
6	873 51 04-00	Nut, Hex, Keps 1/4-20
7	532 12 49-96	Clip, Fuel Line
8	819 09 12-16	Washer 9/32 x 3/4 x 16 Ga.
9	874 76 04-28	Bolt, Hex, Fin 1/4-20 x 1-3/4
10	819 09 14-13	Washer 11/32 x 11/16 x 16 Ga.
11	532 12 12-49	Spacer, Split

KEY NO.	PART NO.	DESCRIPTION
12	532 00 37-20	Spring
13	532 12 64-50	Clip, Height Adjustment
14	532 12 61-15	Knob, Height Stop
15	532 12 20-23	Adjustment, Quadrant Height
16	532 12 43-46	Nut, Self-Threading 3/16-18
17	872 11 04-04	Bolt, Carriage 1/4-20 x 1/2 Gr. 5
18	532 13 07-45	Support Assembly, Dash
19	532 13 47-44	Brace, Cross
20	818 00 04-08	Screw, Self-Tapping 1/4-20 x 1/2
21	532 13 40-14	Plug Dome Black

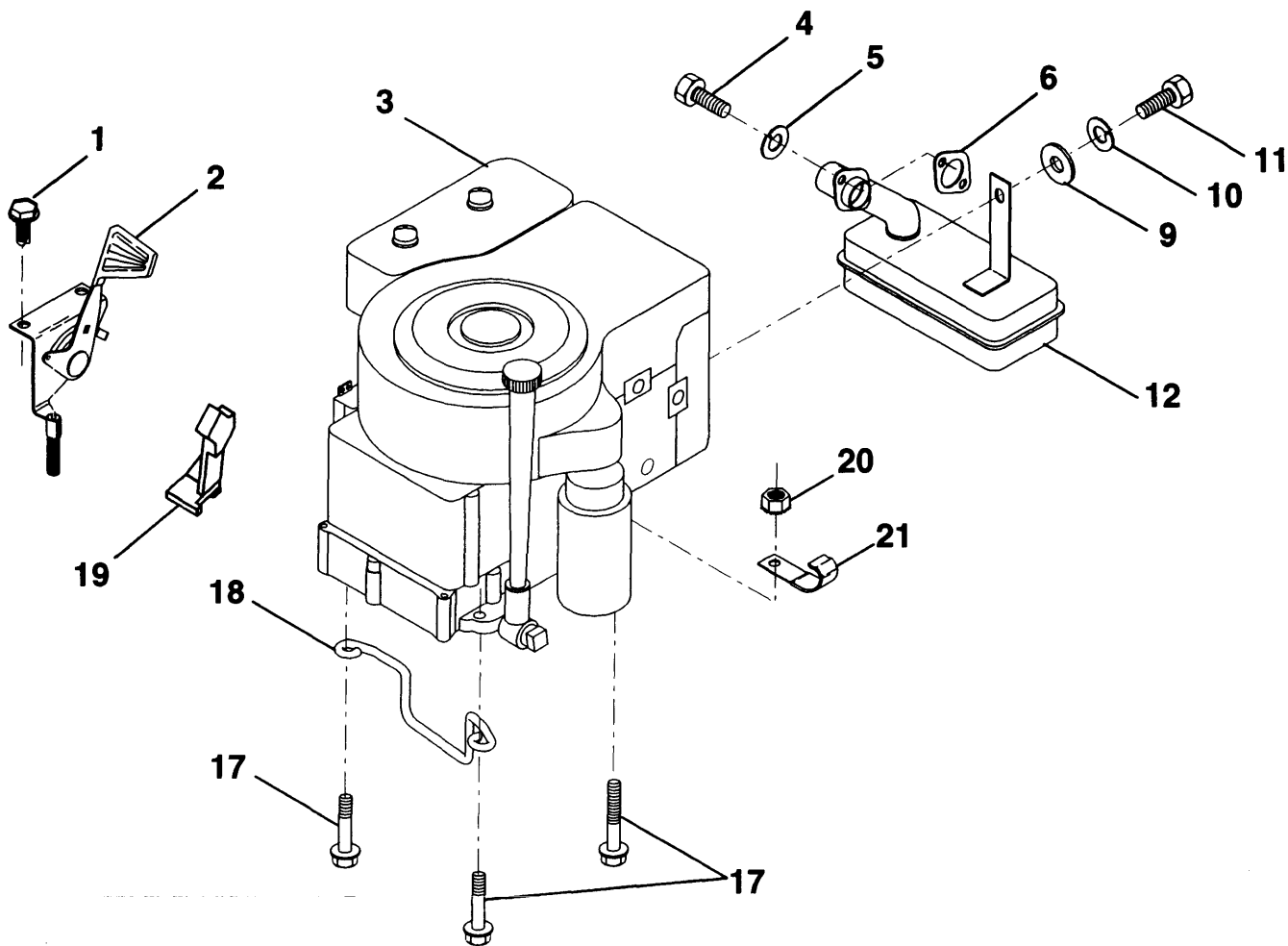
HARDWARE SHOWN LARGER FOR EASIER IDENTIFICATION



KEY NO.	PART NO.	DESCRIPTION
1	532 12 44-16	Insert, Wheel, Steering
2	532 12 47-01	Nut, Lock 3/8-24 UNF
3	819 13 38-08	Washer 12/32x2-3/8x8Ga.
4	532 12 44-15	Wheel, Steering
5	532 12 73-96	Sleeve, Steering
6	817 43 10-08	Screw, Hex #10-16 x 1/2 TY-B
7	532 10 28-03	Bushing, Steering

KEY NO.	PART NO.	DESCRIPTION
8	532 12 36-51	Shaft, Steering
9	532 12 42-10	Clip, Steering
10	532 12 34-38	Bushing, Lower, Steering
11	812 00 00-45	Ring, Retaining
12	819 21 16-16	Washer 21/32 x 1 x 16 Ga.
13	532 10 48-20	Adaptor, Wheel, Steering

HARDWARE SHOWN LARGER FOR EASIER IDENTIFICATION

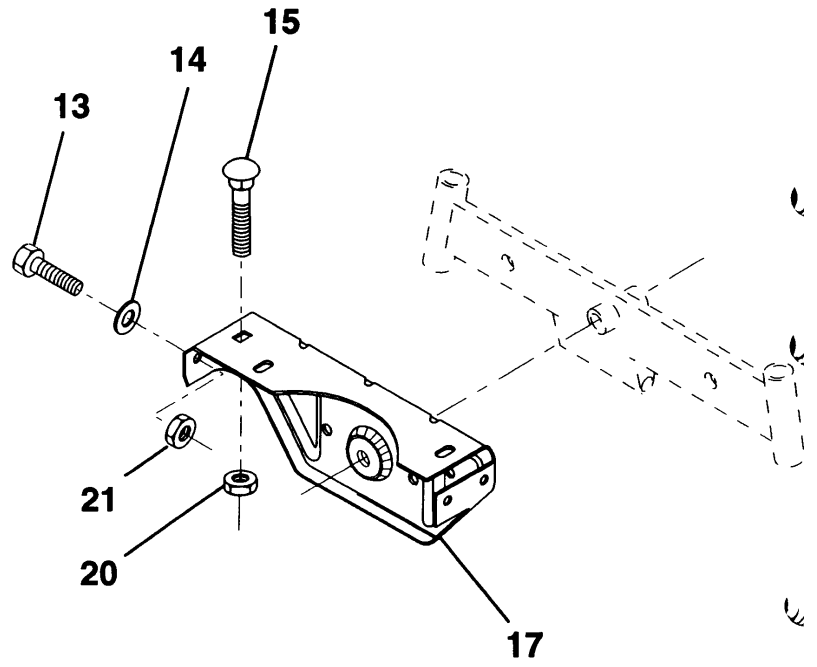
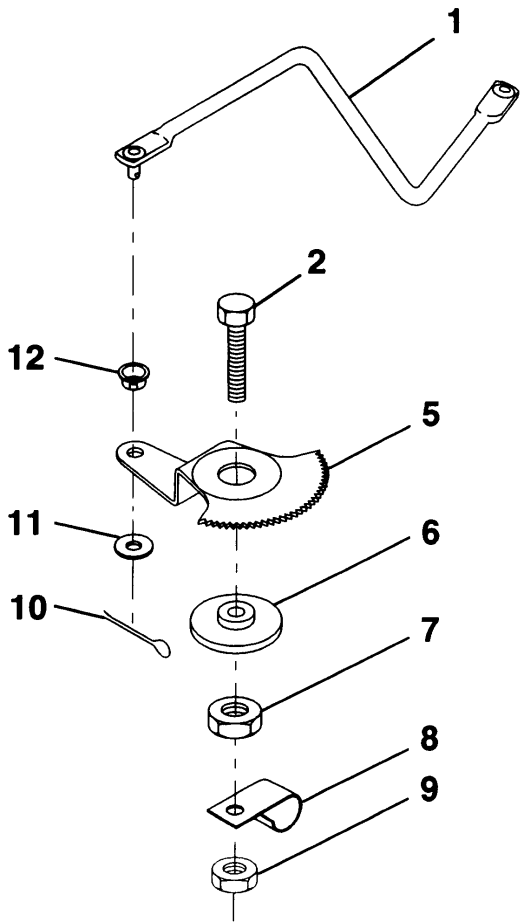


KEY NO.	PART NO.	DESCRIPTION
1	874 78 04-08	Screw, Hex Thd. Cut 1/4-20 x 1/2
2	532 13 30-25	Control, Throttle
3	-----	Engine, Briggs and Stratton Model No. 286707
4	874 76 05-14	Screw, Hex, Cap 5/16-18x3/4
5	810 04 05-00	Washer, Lock Heavy Helical Spring 5/16
6	532 12 55-93	Gasket, Exhaust
9	819 10 12-16	Washer 5/16 x 3/4 x 16
10	810 04 04-00	Washer, Lock Heavy Helical Spring

KEY NO.	PART NO.	DESCRIPTION
11	874 76 04-12	Bolt, Hex Fin. 1/4-20 UNC x 3/4
12	532 13 74-37	Muffler
17	817 49 06-24	Screw, Hex Washer Head, Thdrol. 3/8-16 x 1 -1/2
18	532 12 66-36	Keeper, Ground Drive Belt
20	873 22 06-00	Nut Keps Hex 3/8-16
21	532 12 49-96	Clip Line Fuel

HARDWARE SHOWN LARGER FOR EASIER IDENTIFICATION

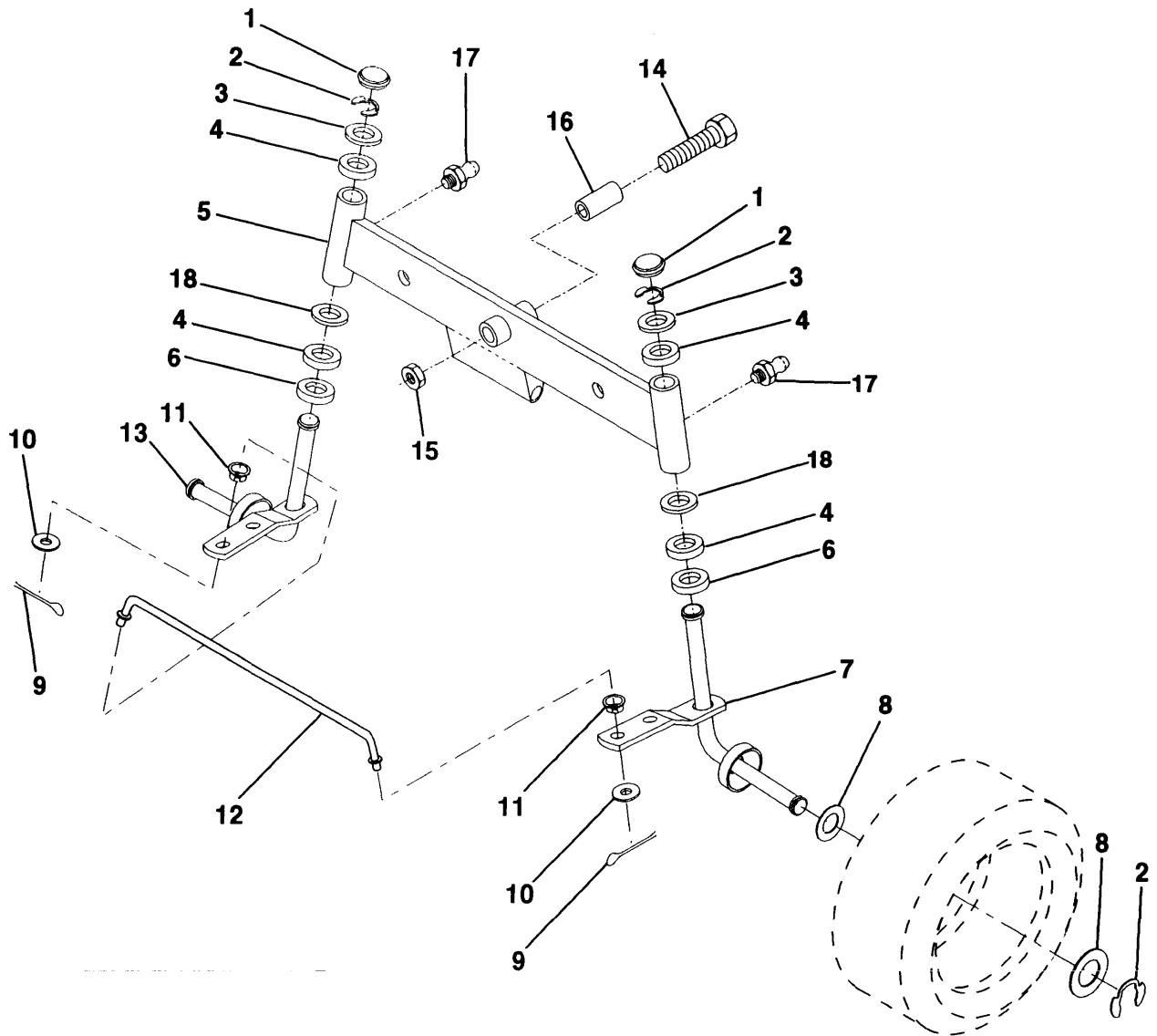
G



KEY NO.	PART NO.	DESCRIPTION
1	532 13 25-66	Link, Drag
2	874 78 08-28	Bolt, Fin Hex 1/2-13 x 1-3/4
5	532 12 19-26	Gear, Sector
6	532 12 19-27	Bushing
7	873 03 08-00	Nut, Heavy Hex Top Lock 1/2-13 UNC
8	532 12 64-72	Clip, Insulated
9	873 68 08-00	Nut, Crownlock 3/8-16
10	876 02 04-12	Pin, Cotter 1/8 x 3/4

KEY NO.	PART NO.	DESCRIPTION
11	819 13 13-16	Washer, 13/32 x 13/16 x 16 Ga.
12	532 12 68-47	Bushing
13	874 76 05-16	Bolt, Hex Hd. 5/16-18 UNC x 1
14	819 11 14-16	Washer 11/32x7/8x16Ga.
15	872 11 06-06	Bolt, Carriage 3/8-16 UNC x 3/4
17	532 13 70-96	Support, Front Axle
20	873 80 06-00	Nut, Crownlock 3/8-16 UNC
21	873 68 05-00	Nut, Crownlock 5/16-18

HARDWARE SHOWN LARGER FOR EASIER IDENTIFICATION

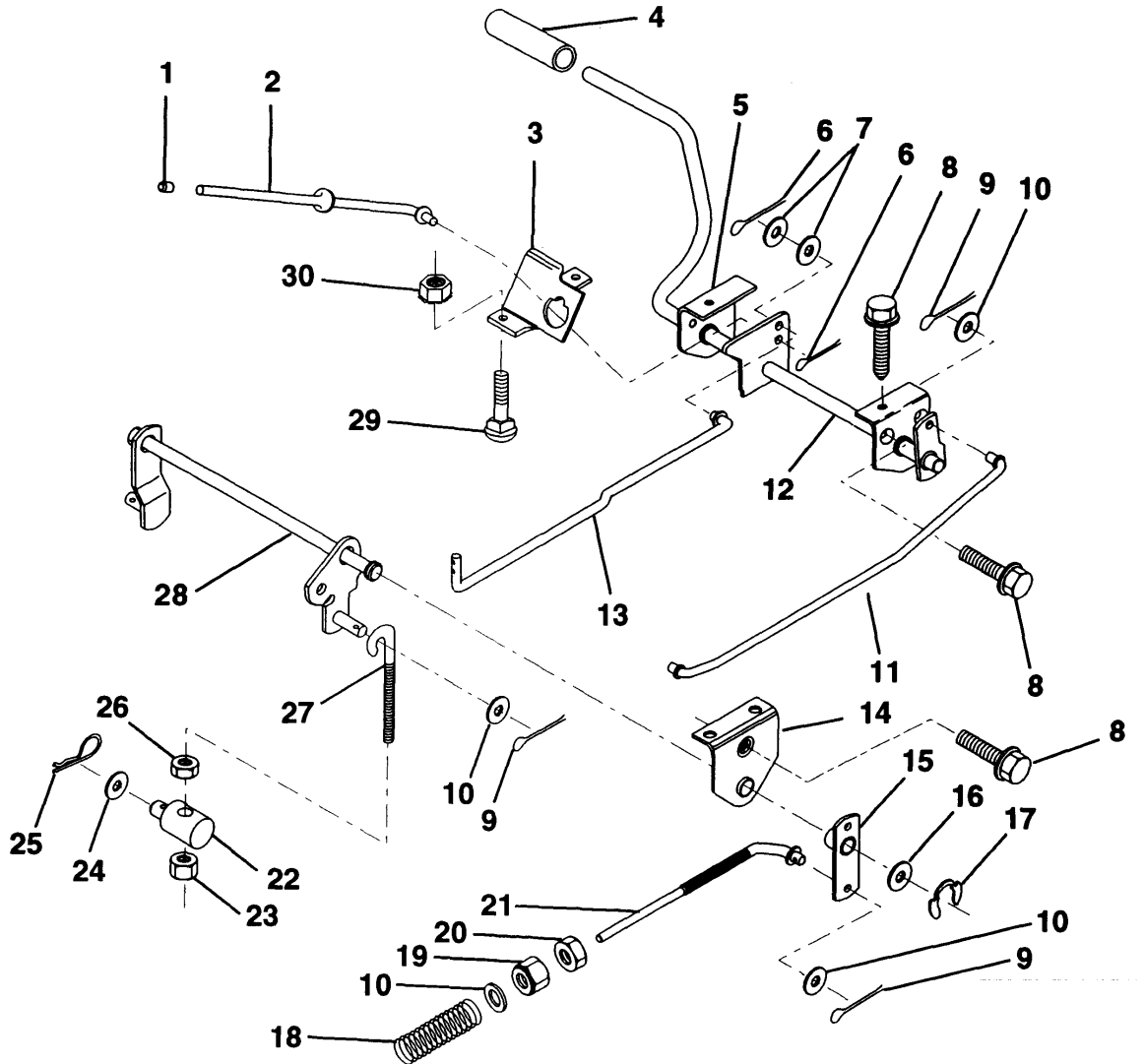


KEY NO.	PART NO.	DESCRIPTION
1	532 12 12-32	Cap, Spindle
2	812 00 00-29	Ring Clip
3	532 12 17-48	washer 25/32 x1-5/8 x16 Ga.
4	532 12 49-37	Bearing Col Strg.
5	532 14 02-12	Axle Front
6	532 12 49-31	Bearing, Thrust
7	532 13 70-62	Spindle, R.H. Asm.
8	532 12 17-49	Washer 25/32 x 1-1/4 x 16 Ga.
9	876 02 04-12	Pin, Cotter 1/8 x 3/4

KEY NO.	PART NO.	DESCRIPTION
10	819 13 13-16	Washer 13/32x13/16x 16Ga.
11	532 12 68-47	Bushing
12	532 13 04-65	Rod, Tie
13	532 13 70-61	Spindle, L.H. Asm.
14	874 01 10-56	Bolt Hex 5/8-11 x 3-1/2
15	873 90 10-00	Locknut Flange 5/8-11
16	532 14 02-47	Spacer Bearing
17	532 12 48-36	Fitting Grease
18	819 27 20-16	Washer 27/32 x 1-1/4 x 16 Ga.

HARDWARE SHOWN LARGER FOR EASIER IDENTIFICATION

J



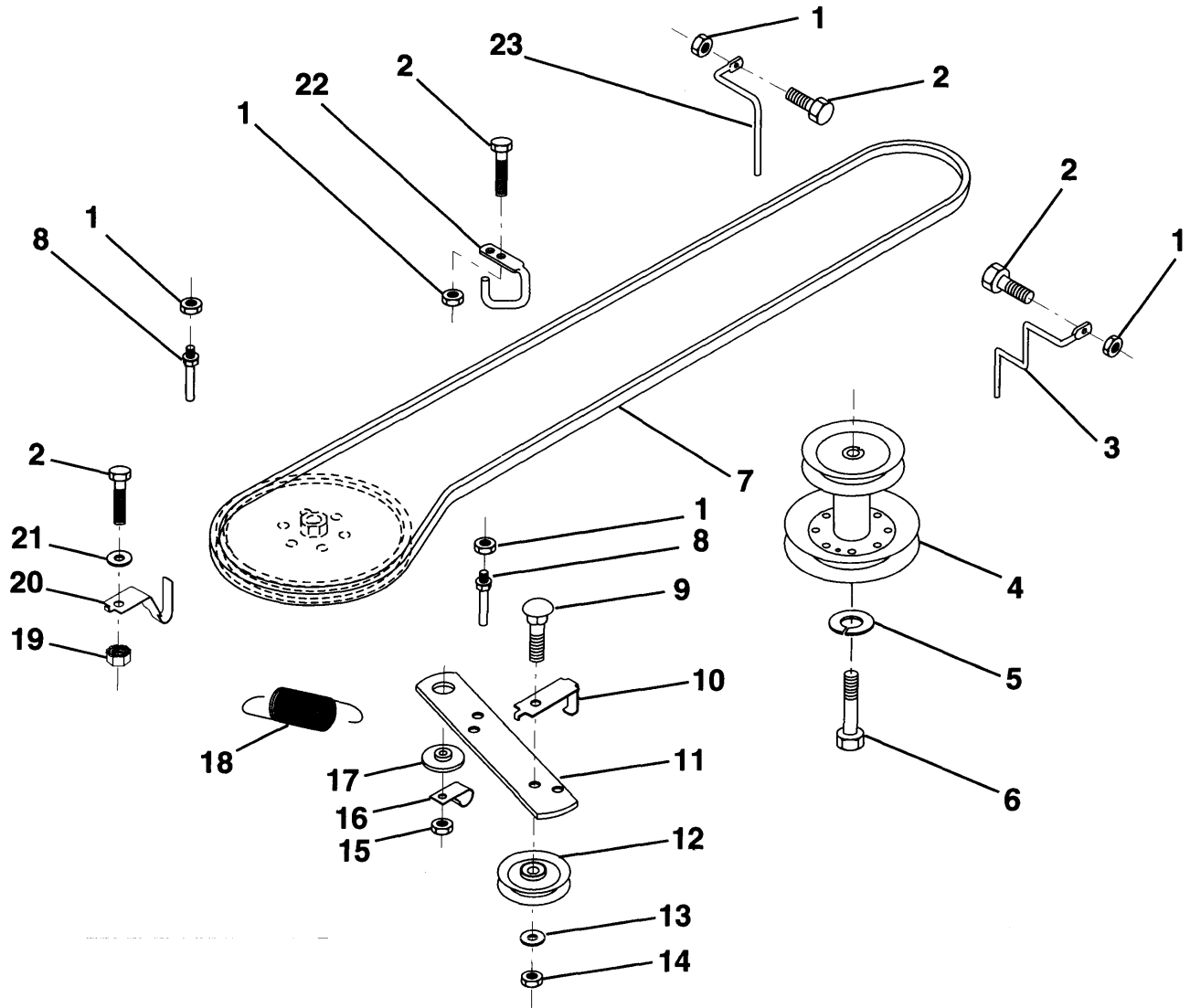
**KEY PART
NO. NO.**

KEY PART NO.	PART NO.	DESCRIPTION
1	532 07 16-73	Cap, Plunger
2	532 12 34-36	Rod, Parking Brake
3	532 12 34-37	Bracket, Parking Brake
4	532 00 81-56	Cover, Pedal
5	532 12 25-04	Bracket, Clutch/Brake Pedal, L.H.
6	876 02 03-12	Pin, Cotter 3132x314
7	819 13 10-16	Washer 13/32x 5/8x16Ga.
8	817 49 05-08	Screw, Hex, Thd. Roll. 5/16-18x112
9	876 02 04-12	Pin, Cotter 1/8 x 3/4
10	819 13 13-16	Washer 13/32 x 13/16 x 16 Ga.
11	532 12 35-43	Rod, Brake Front
12	532 13 99-33	Assembly, Clutch/Brake Pedal
13	532 12 33-94	Rod, Clutch
14	532 12 19-78	Bracket, Lift, Shaft
15	532 12 36-41	Assembly, Brake, Pivot, Arm

**KEY PART
NO. NO.**

KEY PART NO.	PART NO.	DESCRIPTION
16	819 25 18-16	Washer 25/32 x 1-1/8 x 16 Ga.
17	812 00 00-34	Ring, Klip
18	532 10 68-88	Spring, Brake Rod
19	873 35 06-00	Nut, Hex, Jam 3/8-16 UNC
20	873 80 06-00	Locknut, Hex w/Washer Insert 3/8-16 UNC
21	532 13 14-60	Rod, Rear Brake
22	532 12 73-78	Trunnion, Lift
23	873 68 06-00	Nut, Crownlock 3/8-16 UNC
24	819 13 20-12	Washer 13/32 x 1-1/4 x 12 Ga.
25	532 00 49-21	Spring, Retainer
26	873 93 06-00	Nut, Centerlock 318-16 UNC
27	532 12 73-69	Link, Threaded
28	532 12 73-58	Assembly, Rear Mower Lift
29	872 11 05-06	Bolt, Carriage 5/16-18 UNC x 3/4
30	873 51 05-00	Nut, Keps 5/16-16 UNC

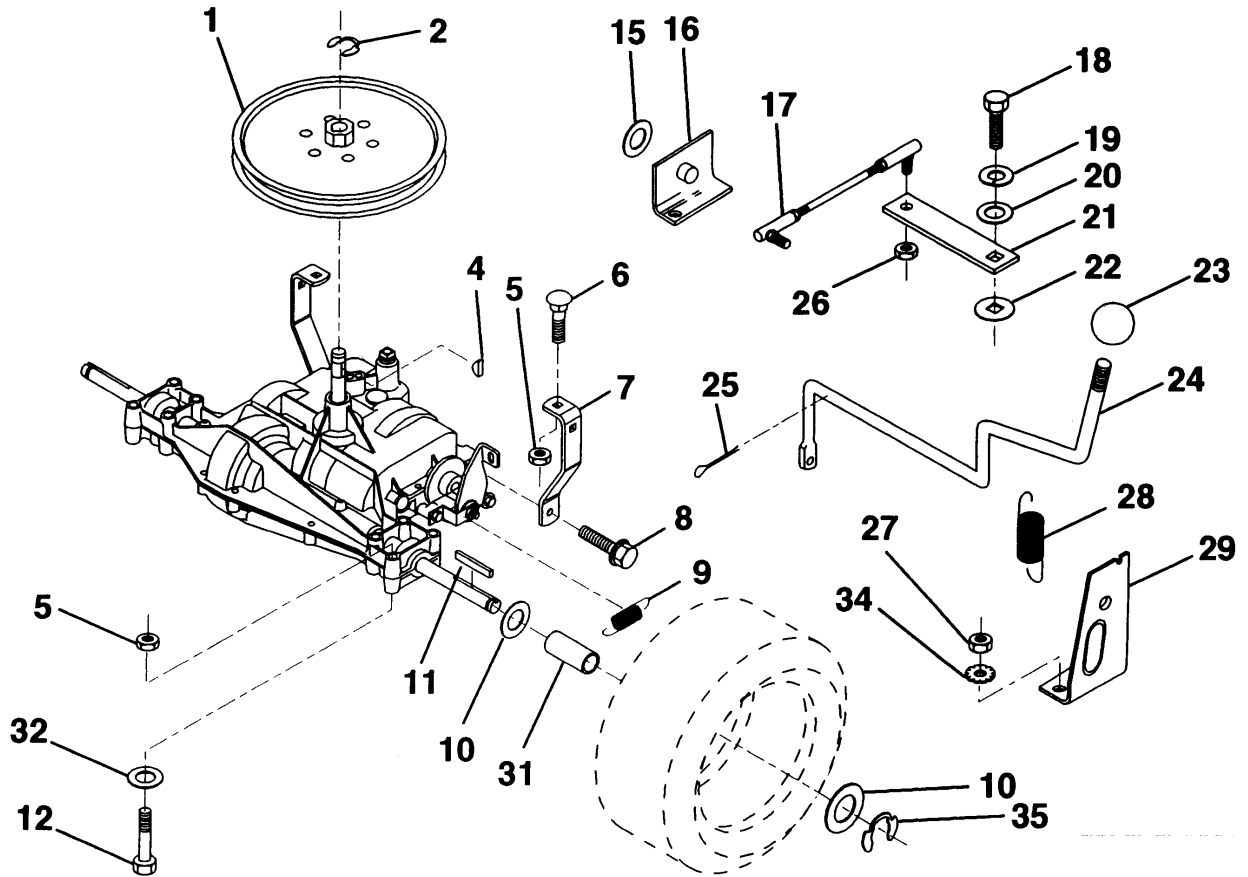
HARDWARE SHOWN LARGER FOR EASIER IDENTIFICATION



KEY NO.	PART NO.	DESCRIPTION
1	873 68 05-00	Nut, Crownlock 5/16-18
2	874 76 05-12	Bolt, Hex Hd 5/16-18 UNC x 3/4
3	532 13 12-05	Keeper, Mower Drive, R. H.
4	532 13 80-29	Pulley, Engine
5	810 04 07-00	Washer, Lock 7/16
6	871 17 07-44	Bolt Hex 7/16-20 Gr. 5
7	532 12 65-20	Traction, V-Belt Drive
8	532 12 34-05	Keeper, T/A Ground Drive Belt
9	872 14 06-12	Bolt, Carr. 3/8-16 UNC x 1-1/2
10	532 12 33-96	Keeper, Belt Ground Drive Idler
11	532 12 33-95	Arm, Ground Drive Clutch
12	532 12 36-74	Idler, Flat

KEY NO.	PART NO.	DESCRIPTION
13	819 13 13-16	Washer 13/32 x 13/16 x 16 Ga.
14	873 93 06-00	Nut, Centerlock 3/8-16UNC
15	873 68 06-00	Nut, Crownlock 3/8-16 UNC
16	532 12 64-71	Clip, Insulated
17	532 12 20-52	Spacer, Retainer
18	532 13 14-59	Spring Extension
19	873 51 05-00	Nut, Keps 5/16-18 UNC
20	532 13 99-19	Keeper, T/A Ground Drive Belt
21	819 11 10-16	Washer 11/32 x 5/8 x 16 Ga.
22	532 12 34-04	Keeper, Frame Ground Drive Belt
23	532 13 12-04	Keeper, Mower Drive, L. H.

HARDWARE SHOWN LARGER FOR EASIER IDENTIFICATION



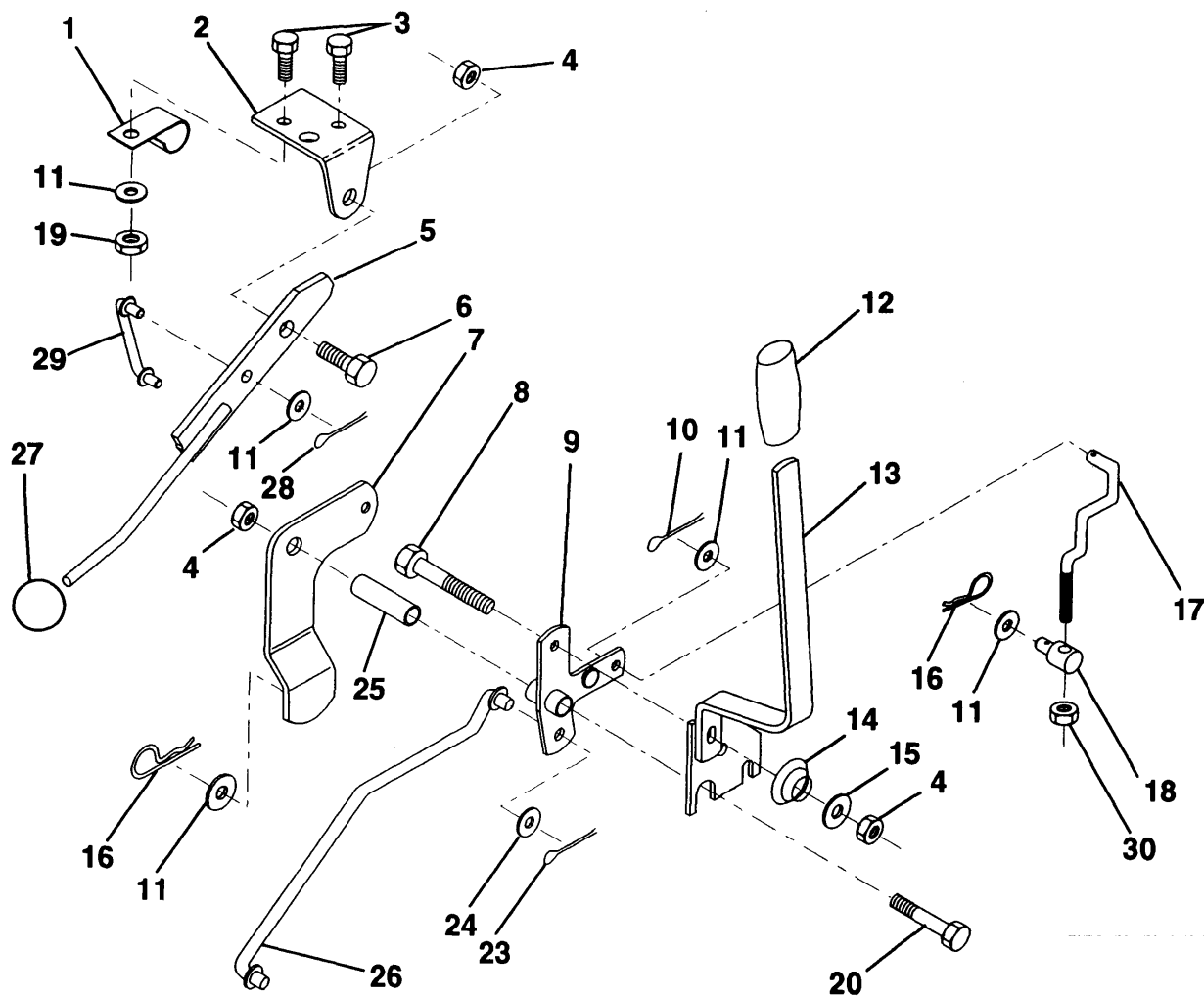
KEY PART DESCRIPTION
NO. NO.

1	532 12 33-85	Pulley
2	812 00 00-28	Ring, Retainer
4	532 12 50-96	Key, Woodruff #9
5	873 68 05-00	Nut, Crownlock 5/16-18
6	872 14 05-06	Bolt, Carriage 5/16-18 UNC x 3/4
7	532 12 33-78	Strap, Torque
8	817 49 05-12	Screw 5/16-18 x 3/4
9	532 11 04-22	Spring, Brake
10	532 12 17-49	Washer 25/32 x 1-1/4 x 16 Ga.
11	532 12 35-83	Key, Square
12	874 76 05-40	Bolt, Fin Hex 5/16-18 x 2-1/2
15	819 17 16-16	Washer 17/32 x 1 x 16 Ga.
16	532 12 46-00	Support Handle Shift LH
17	532 12 62-93	Link, Shift
18	871 04 04-12	Bolt, Fin Hex 1/4-28 UNF x 3/4 Gr. 8

KEY PART DESCRIPTION
NO. NO.

19	810 04 04-00	Washer, Lock 1/4
20	819 09 12-10	Washer 9/32 x 3/4 x 10 Ga.
21	532 12 62-92	Arm, Shift
22	532 10 57-01	Washer, Shift Plate
23	532 12 12-74	Knob, Duckhead LT120
23	532 10 69-33	Knob LT100/112
24	532 12 82-15	Rod, Shift
25	876 02 04-16	Pin, Cotter 1/8x1
26	873 81 05-00	Locknut 5/16-24 UNF
27	873 51 05-00	Nut, Keps 5/16-18
28	532 12 80-85	Extension, Spring
29	532 12 80-84	Support Handle Shift RH
31	532 13 70-57	Spacer Axle
32	819 11 11-16	Washer 11/32 x 11/16 x 16 Ga.
34	811 05 05-00	Washer External Tooth 5/16
35	812 00 00-01	E-Ring

HARDWARE SHOWN LARGER FOR EASIER IDENTIFICATION



KEY PART NO. PART NO. DESCRIPTION

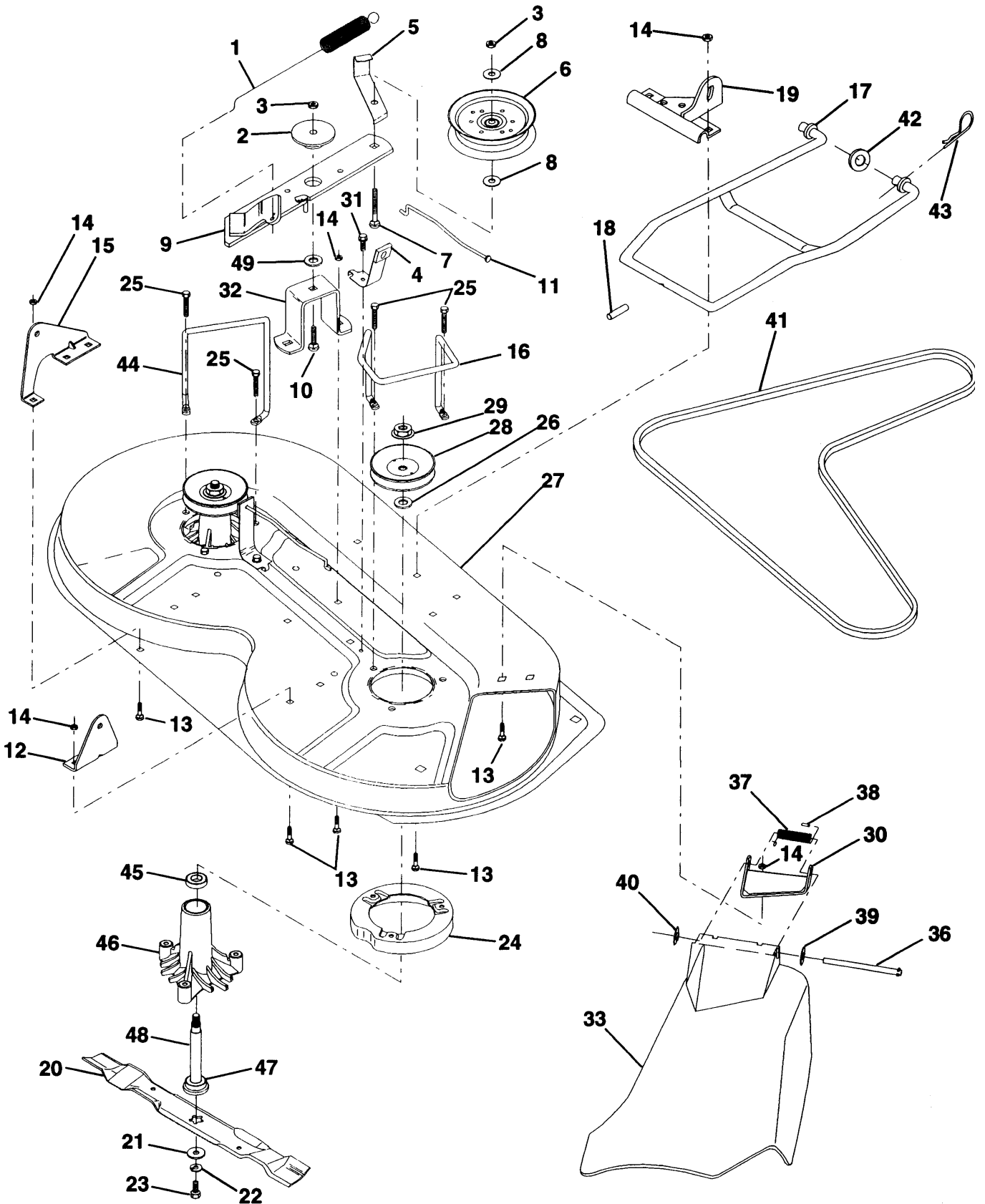
1	532 12 64-70	Clip, Insulated
2	532 12 20-18	Bracket, Mower Clutch
3	874 78 04-08	Bolt, Fin. Hex 1/4-20 UNC x 1/2Gr.5
4	873 80 06-00	Nut, Crownlock 3/8-16UNC
5	532 12 34-17	Assembly, Clutch Lever
6	532 10 64-51	Bolt, Shoulder
7	532 13 53-71	Assembly, Mower Clutch Arm
8	874 76 06-36	Bolt, Hex 3/8-16 UNC x 2-1/4
9	532 12 19-30	Assembly, Bellcrank Lift
10	876 02 04-12	Pin, Cotter 1/8 x 3/4
11	819 13 13-16	Washer 13/32 x 13/16 x 16 Ga
12	532 13 18-61	Grip handle LT100/112
13	532 12 20-27	Grip, Handle LT 120
13	532 13 93-52	Assembly, Lift Handle

KEY PART NO. NO. DESCRIPTION

14	532 12 34-96	Spring, Compression
15	819 13 12-12	Washer 13/32x314x 12Ga.
16	532 00 49-21	Retainer, Spring
17	532 12 73-59	Link, Front Lift
18	532 13 32-05	Trunnion, Threaded 3/8-16
19	873 68 04-00	Nut, Crownlock 1/4-20
20	874 76 06-44	Bolt, Fin. Hex 3/8-16 UNC x 2-3/4
23	876 02 04-16	Pin, Cotter 1/8x1
24	819 17 16-16	Washer 17/32x1x16Ga.
25	532 12 19-33	Tube, Spacer
26	532 12 19-34	Rod, Mower Lift
27	532 10 69-32	Knob LT 100/112
27	532 12 14-66	Knob LT120
28	876 02 03-12	Pin, Cotter 3/32x3/4
29	532 13 16-55	Link, Mower Clutch
30	873 35 06-00	Nut Hex Jam 3/8-16

HARDWARE SHOWN LARGER FOR EASIER IDENTIFICATION

M

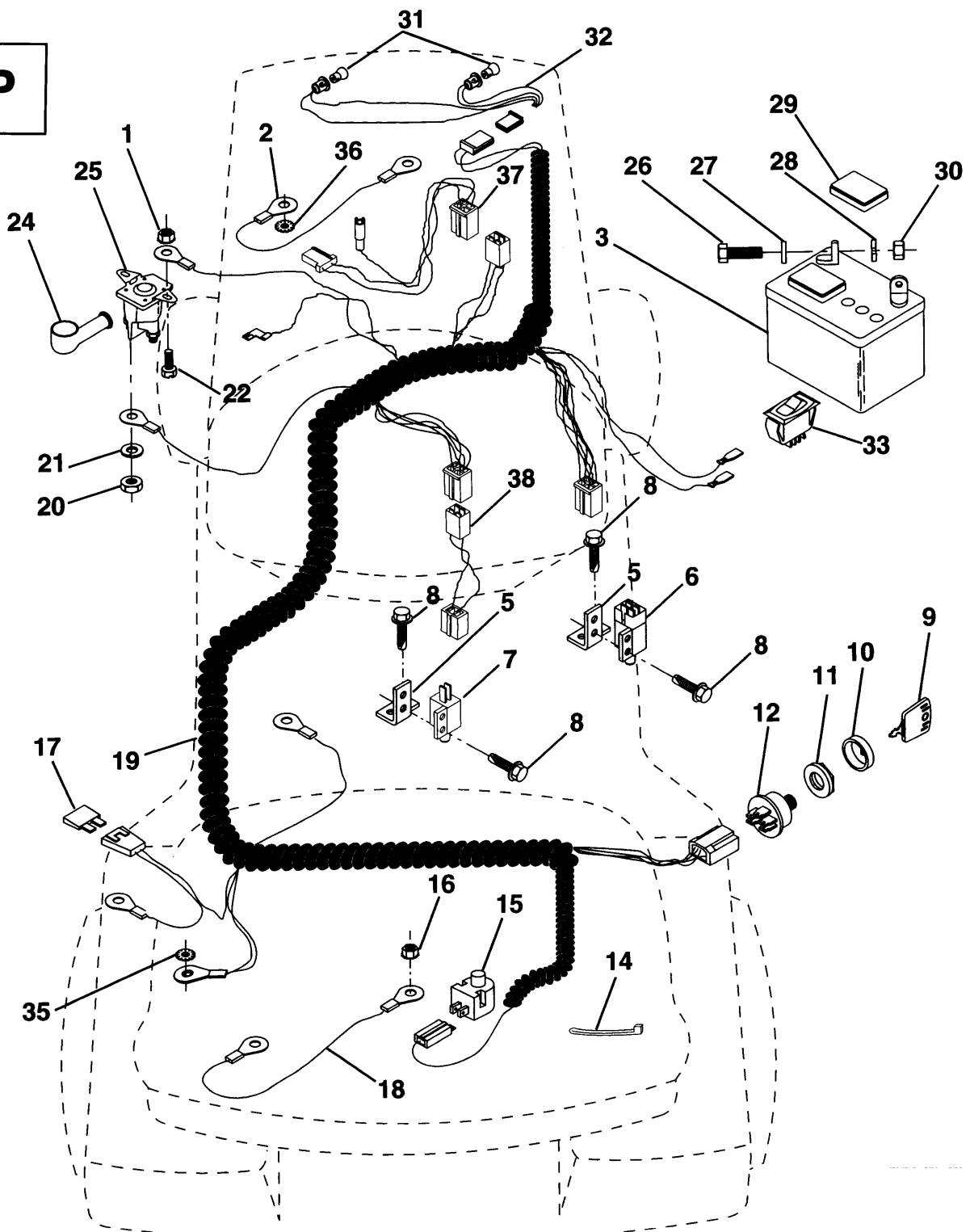




KEY NO.	PART NO.	DESCRIPTION	KEY NO.	PART NO.	DESCRIPTION
1	532 14 00-64	Spring, Mower Clutch	26	532 12 99-63	Washer .150 Thk.
2	532 12 20-52	Spacer, Retainer	27	532 12 99-83	Deck Assembly
3	873 80 06-00	Nut, Crownlock	28	532 12 92-07	Pulley, Mandrell
4	532 13 08-40	Brake Asm.	29	873 05 09-00	Nut
5	532 13 12-51	Guide, Belt Idler	30	532 13 66-31	Bracket, Asm. Deflector
6	532 12 13-16	Pulley, Flat Idler	31	817 49 05-08	Screw, Hex Wsh. Thdrol. 5/16-18 x 1/2
7	872 11 06-16	Bolt, Carr. 3/8-16 x 1 -3/4 Gr. 5	32	532 12 20-51	Arm, Support Idler Mower
8	819 13 14-10	Washer 13/21 x 7/8 x 10 Ga.	33	532 13 15-60	Deflector
9	532 14 00-92	Arm Asm., Idler Mower	36	532 12 19-80	Rod, Hinge
10	872 11 06-08	Bolt, Carriage 3/8-16x 1	37	532 12 37-13	Spring, Torsion Deflector
11	532 13 08-41	Rod, Brake	38	532 10 53-04	Cap, Sleeve
12	532 12 73-56	Bracket, Lift R. H. Rear	39	819 11 10-16	Washer 11/32 x 5/8 x 16 Ga.
13	872 14 05-05	Bolt, Carriage 5/16-18 x 5/8	40	532 11 04-52	Pushnut
14	873 68 05-00	Nut, Crownlock 5/16-18	41	532 13 12-64	V-Belt
15	532 12 73-57	Bracket, Lift L. H. Rear	42	819 17 16-16	Washer 11/32 x 5/8 16 Ga.
16	532 14 00-93	Keeper, R. H.	43	532 12 46-60	Retainer, Spring
17	532 12 85-08	Link, Asm. Mower Stabilizer	44	532 14 06-08	Keeper, L. H.
18	532 12 85-11	Pin, Drive	45	532 11 04-85	Bearing
19	532 12 73-80	Bracket, Asm. Front	46	532 12 87-74	Housing Mandrel Vented
20	532 14 01-01	Blade, Mulching	47	532 12 98-95	Bearing
20	532 12 78-41	Blade, Hi-Lift	48	532 13 76-45	Shaft, Mandrel (Includes Key # 47)
21	532 14 02-96	Washer, Hard	--	532 13 07-94	Mandrel Asm. (Includes Key No.'s 22-23, 26, 29 and 45-48)
22	810 03 06-00	Washer, Lock 3/8	--	532 14 09-79	Deck, Mower Complete
23	532 85 08-57	Bolt 3/8-24 x 1-1/4 Gr. 8	49	532 13 39-43	Washer Wear 16 Ga.
24	532 14 03-29	Stripper			
25	873 76 05-28	Bolt 5/16-18 x 1-1/4			

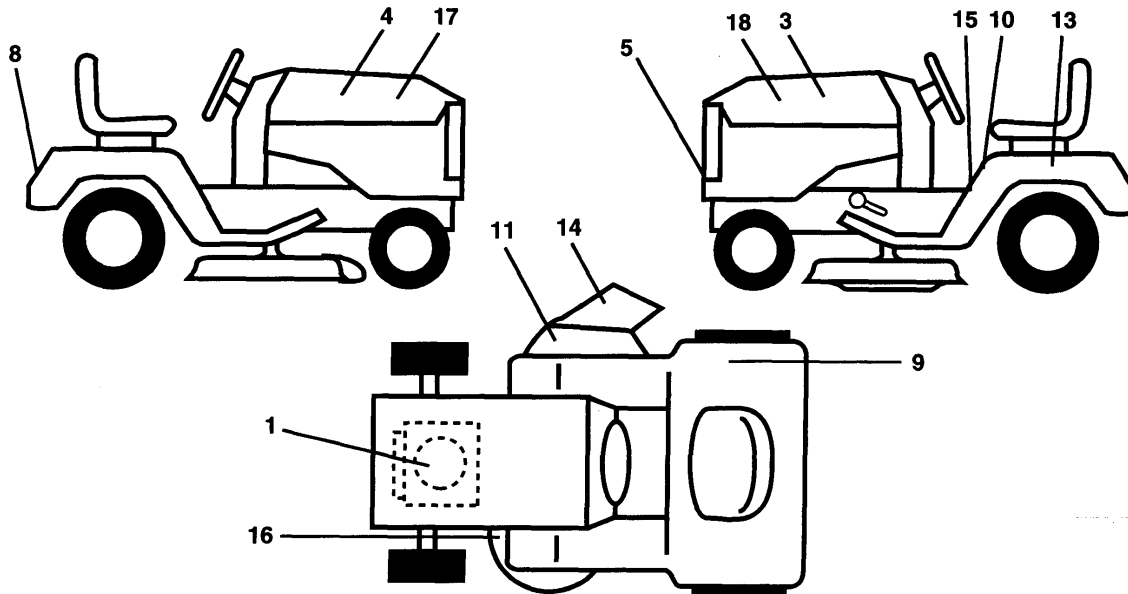
HARDWARE SHOWN LARGER FOR EASIER IDENTIFICATION

P



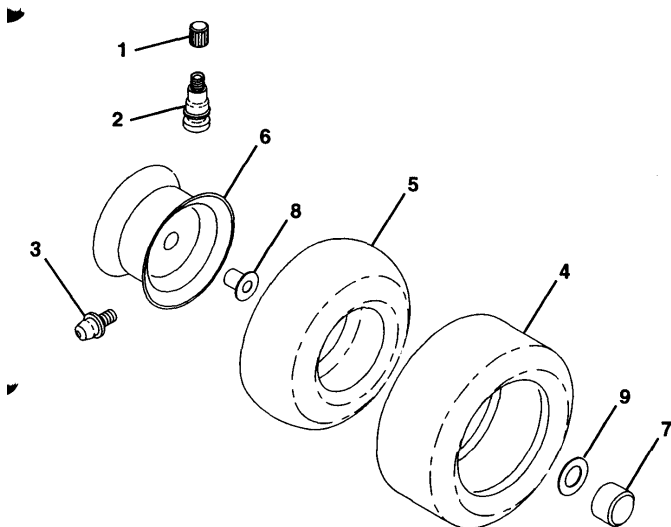
KEY PART NO.	PART NO.	DESCRIPTION
1	873 51 04-00	Nut, Hex Keps 1/4-20
2	532 10 84-23	Assembly, Cable
3	532 13 39-09	Battery
5	532 10 82-36	Bracket, Switch
6	532 10 95-53	Switch Interlock (4-terminal)
7	532 10 44-45	Switch Interlock (2-terminal)
8	817 02 10-08	Screw, Hex Hd. Tap #10-24 x 1/2
9	532 14 04-01	Key, Molded
10	532 12 36-20	Cover, Key Ignition
11	532 14 04-00	Nut, Ignition
12	532 14 03-99	Switch, Ignition
14	532 12 47-56	Tie, Cable
15	532 12 13-05	Switch, Plunger
16	873 51 05-00	Nut, Hex, Keps 5/16-18
17	532 10 88-24	Fuse
18	532 12 83-53	Assembly, Cable
19	532 14 04-10	Harness, Ignition LT100/112
19	532 14 04-11	Harness. Ignition LT120

KEY PART NO.	PART NO.	DESCRIPTION
20	873 35 04-00	Nut, Hex Jam 1/4-20
21	810 09 04-00	Washer, Lock 1/4
22	874 78 04-08	Bolt, Fin. Hex 1/4-20 UNC x 1/2 Gr. 5
24	532 13 15-63	Cover, Terminal
25	532 13 84-06	Solenoid
26	874 76 04-12	Bolt, Hex Hd. 1/4-20 UNC x 3/4
27	819 09 10-16	Washer 9/32 x 5/8 x 16
28	810 04 04-00	Washer, Lock 1/4
29	532 12 12-64	Cap, Battery
30	873 22 04-00	Nut, Fin. Hex 1/4-20 UNC
31	532 00 41-52	Bulb Light, LT120
32	532 13 10-78	Harness Headlight LT120
33	532 11 07-12	Switch Light LT120
35	811 05 06-00	Washer Lock Ext. Tooth 3/8
36	810 04 04-00	Washer Lock Inter. Tooth 1/4
37	532 14 04-13	Harness Engine
38	532 14 06-60	Harness Adapter



KEY NO.	PART NO.	DESCRIPTION	KEY NO.	PART NO.	DESCRIPTION
1	532 12 90-57	Decal, HP, Engine LT120	15	532 14 01-62	Decal, Instruction, Warning, (Multi-Lang.)
3	532 14 02-06	Decal, Hood, L. H.	--	532 13 82-70	Decal, Instruction Warning (Swedish/Danish/Finnish/Norwegian)
4	532 14 02-05	Decal, Hood, R. H.	--	532 12 63-48	Decal, Instruction, Warning, (Spanish/Italian)
5	532 14 02-13	Decal, Logo, Grill	16	532 13 68-30	Decal, V-Belt Schematic
8	532 13 15-82	Decal, Logo, Fender	17	532 14 02-01	Decal, Hood R.H LT100
9	532 12 61-87	Decal, Certification (French/Dutch)	17	532 14 02-03	Decal Hood R.H LT112
10	532 13 37-95	Decal Caution Fender	17	532 14 01-99	Decal HoodR.HLT120
11	532 13 72-59	Decal, Warning	18	532 14 02-02	Decal, Hood L.H LT100
13	532 12 15-49	Decal, Caution, Battery	18	532 14 02-04	Decal, Hood L.H LT112
14	532 12 61-93	Decal, Caution, Deflector, (Swedish/Danish/Finnish/Norwegian)	18	532 14 02-00	Decal, Hood L.H LT120
--	532 12 63-47	Decal, Caution, Deflector, (Spanish/Italian)	--	532 13 82-69	Decal, Inst. Oper. (English/French)

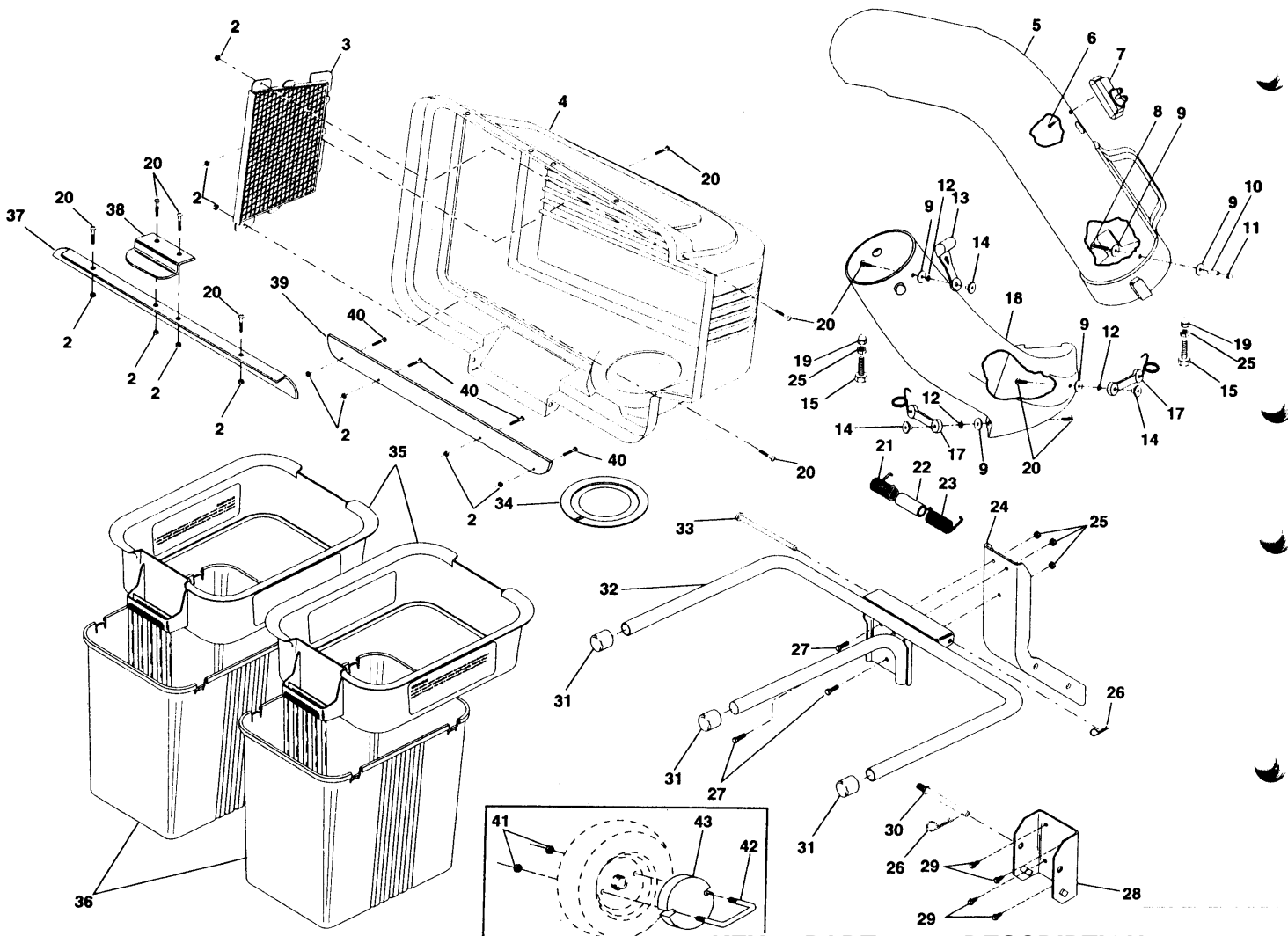
WHEELS & TIRES



KEY NO.	PART NO.	DESCRIPTION
1	532 05 91-92	Cap, Valve
2	532 06 51-39	Stem, Valve
3	532 12 49-57	Fitting, Grease\ (Front Wheels)
4	532 12 34-10	Tire, Front LT100/112
4	532 30 11-40	Tire, Front LT120
4	506 80 27-01	Tire, Rear LT100/112
4	532 13 27-03	Tire, Rear LT120
5	532 05 99-04	Tube, Front
5	532 00 81-34	Tube, Rear
6	532 14 02-98	Rim, Front
6	532 14 04-53	Rim, Rear
7	532 10 47-57	Cap, Hub LT100/112
7	532 12 45-77	Cap, Hub Front LT120
7	532 12 45-78	Cap, Hub Rear LT120
8	532 12 49-59	Bearing Flange
9	532 12 17-48	Washer 25/32 x 1 -5/8 x 16 Ga.

I940023

S



KEY NO.	PART NO.	DESCRIPTION	KEY NO.	PART NO.	DESCRIPTION
2	532 06 91-80	Locknut # 10-24	24	532 12 77-20	Post, Support
3	532 12 75-33	Screen, Cover	25	873 22 05-00	Locknut 5/16 x 18
4	532 14 06-54	Cover	26	532 12 46-70	Spring, Retainer
5	532 12 85-98	Chute, Upper	27	874 76 05-12	Bolt, Hex 5/16-18 x 3/4
6	818 02 10-08	Screw, Special	28	532 13 08-89	Bracket, Mounting
7	532 14 05-72	Indicator, Dump Bag	29	817 49 05-08	Screw, Thread Rolling 5/16-18 x 1/2
8	532 08 71-75	Screw, # 10-24 x 1-1/8	30	532 13 11-37	Pin, Support Post
9	734 11 46-01	Washer 3/16 x 3/4 x 16 Ga	31	532 13 44-96	Cap, Tubing End
10	532 00 72-06	Spacer, Split	32	532 12 69-19	Bagger, Frame
11	532 06 08-67	Nut, Acorn # 10-24	33	532 12 86-00	Pin, Hinge
12	810 07 10-00	Washer, lock	34	532 12 75-34	Gasket, Cover
13	532 10 98-08	Latch, Chute	35	532 12 95-85	Container, Top
14	532 12 50-04	Nut, Weld	36	532 12 95-86	Container, Bottom, Hard
15	874 93 05-16	Bolt, Hex 5/16-18 x 1	36	532 13 24-31	Container, Bottom, Soft
17	532 13 07-58	Latch Assy., Bagger	37	532 13 22-56	Seal, Cover
18	532 12 85-99	Chute, Lower	38	532 13 08-95	Latch Handle, Cover
19	532 13 38-41	Nut, Acorn 5/16-18	39	532 13 54-95	Strip, Seal
20	874 29 10-10	Screw # 10-24 x 5/8	40	874 19 10-08	Screw # 10-24 x 112
21	532 13 27-96	Screw, Cover L.H. (black)	41	873 80 06-00	Locknut 3/8-16
22	532 13 32-35	Spacer, Cover	42	532 13 70-31	U-Bolt
23	532 13 29-83	Spring, Cover R.H. (gray)	43	532 12 36-35	Weight, Wheel

MODEL NUMBER LT100

PART NUMBER	SQUARE	NOTE	PART NUMBER	SQUARE	NOTE	PART NUMBER	SQUARE	NOTE	PART NUMBER	SQUARE	NOTE
506 80 27-01	R		532 12 33-95	K		532 12 73-98	B		532 13 47-44	D	
532 00 37-20	D		532 12 33-96	K		532 12 75-33	S		532 13 53-71	O	N
532 00 41-52	P		532 12 34-04	K		532 12 75-34	S		532 13 54-95	S	
532 00 49-21	JO		532 12 34-05	K		532 12 77-20	S		532 13 66-31	M	
532 00 72-06	S		532 12 34-10	R		532 12 78-41	M		532 13 68-30	R	N
532 00 81-34	R		532 12 34-11	R		532 12 78-80	B		532 13 70-31	S	
532 00 81-56	J	N	532 12 34-17	O		532 12 80-84	L		532 13 70-57	L	N
532 00 85-44	D	N	532 12 34-36	J		532 12 80-85	L		532 13 70-61	H	
532 00 85-48	D		532 12 34-37	J		532 12 82-15	L		532 13 70-62	H	
532 05 29-21	A	N	532 12 34-38	E		532 12 83-53	P	N	532 13 70-96	G	
532 05 91-92	R		532 12 34-87	D		532 12 84-45	A	N	532 13 72-59	R	N
532 05 99-04	R		532 12 34-96	O		532 12 84-46	A	N	532 13 74-37	F	
532 06 08-67	S		532 12 35-43	J		532 12 85-08	M		532 13 76-45	M	N
532 06 51-39	R		532 12 35-83	L		532 12 85-11	M		532 13 80-29	K	N
532 06 91-80	S		532 12 36-20	P		532 12 85-98	S		532 13 82-69	R	N
532 07 16-73	J		532 12 36-35	S		532 12 85-99	S	N	532 13 82-70	R	N
532 08 71-75	S		532 12 36-41	J		532 12 86-00	S		532 13 83-94	D	N
532 10 28-03	E		532 12 36-51	E		532 12 87-74	M		532 13 84-06	P	N
532 10 44-45	P		532 12 36-74	K		532 12 90-57	R	N	532 13 93-52	O	N
532 10 47-57	R		532 12 37-13	M		532 12 92-07	M		532 13 97-83	B	N
532 10 48-20	E		532 12 38-40	A	N	532 12 95-85	S		532 13 99-19	K	N
532 10 53-04	M		532 12 39-76	C		532 12 95-86	S		532 13 99-33	J	N
532 10 55-29	C		532 12 41-44	B		532 12 98-95	M		532 13 99-69	A	N
532 10 57-01	L		532 12 41-81	B		532 12 99-63	M		532 14 00-50	A	N
532 10 64-51	O		532 12 42-10	E		532 12 99-65	B		532 14 00-51	A	N
532 10 68-88	J		532 12 43-46	BD		532 12 99-83	M		532 14 00-64	M	N
532 10 69-32	O		532 12 44-15	E		532 13 04-65	H		532 14 00-92	M	N
532 10 69-33	L		532 12 44-16	E		532 13 07-45	D		532 14 00-93	M	N
532 10 82-36	P		532 12 46-00	L		532 13 07-58	S		532 14 01-01	M	N
532 10 84-23	P	N	532 12 46-60	M		532 13 07-94	M	N	532 14 01-42	A	N
532 10 88-24	P		532 12 46-70	S		532 13 08-40	M		532 14 01-62	R	N
532 10 92-38	B	N	532 12 47-01	E		532 13 08-41	M		532 14 01-99	R	N
532 10 95-53	P		532 12 47-56	P		532 13 08-50	A	N	532 14 02-00	R	N
532 10 95-96	B		532 12 48-36	H		532 13 08-89	S		532 14 02-01	R	N
532 10 98-08	S		532 12 49-31	H		532 13 08-95	S	N	532 14 02-02	R	N
532 11 04-22	L		532 12 49-37	H		532 13 09-84	A	N	532 14 02-03	R	N
532 11 04-52	M		532 12 49-57	R	N	532 13 09-85	A		532 14 02-04	R	N
532 11 04-85	M		532 12 49-59	R	N	532 13 09-86	A		532 14 02-05	R	N
532 11 07-12	P		532 12 49-96	DF		532 13 10-28	A	N	532 14 02-06	R	N
532 12 00-68	C		532 12 50-04	S		532 13 10-37	A	N	532 14 02-12	H	N
532 12 05-37	A	N	532 12 50-96	L		532 13 10-78	P		532 14 02-13	R	N
532 12 12-32	H		532 12 51-41	B		532 13 11-37	S		532 14 02-47	H	N
532 12 12-46	C		532 12 51-42	B		532 13 12-04	K		532 14 02-96	M	N
532 12 12-48	C		532 12 55-93	F		532 13 12-05	K		532 14 02-98	R	N
532 12 12-49	D		532 12 61-15	D		532 13 12-51	M		532 14 03-29	M	N
532 12 12-50	C		532 12 61-87	R		532 13 12-64	M		532 14 04-00	P	N
532 12 12-64	P		532 12 61-93	R		532 13 13-19	A		532 14 04-01	P	N
532 12 12-74	L		532 12 62-92	L		532 13 14-59	K		532 14 04-07	C	N
532 12 13-05	P		532 12 62-93	L		532 13 14-60	J		532 14 04-10	P	N
532 12 13-16	M		532 12 63-47	R		532 13 15-60	M		532 14 04-11	P	N
532 12 14-66	O		532 12 63-48	R		532 13 15-63	P		532 14 04-13	P	N
532 12 15-49	R		532 12 64-50	D		532 13 15-82	R		532 14 04-53	R	N
532 12 17-48	HR		532 12 64-70	BO		532 13 16-55	O	N	532 14 05-51	C	N
532 12 17-49	HL		532 12 64-71	CK		532 13 18-61	O		532 14 05-52	C	N
532 12 19-26	G		532 12 64-72	G		532 13 22-56	S		532 14 05-72	S	N
532 12 19-27	G		532 12 65-20	K		532 13 24-31	S	N	532 14 06-08	M	N
532 12 19-30	O		532 12 66-36	F		532 13 25-66	G		532 14 06-54	S	N
532 12 19-33	O		532 12 68-47	GH		532 13 27-35	D	N	532 14 06-60	P	N
532 12 19-34	O		532 12 69-19	S		532 13 27-96	S		532 14 07-84	B	N
532 12 19-78	J		532 12 69-38	A		532 13 29-83	S		532 14 09-79	M	N
532 12 19-80	M		532 12 69-96	B		532 13 30-25	F		532 85 08-57	M	
532 12 20-18	O		532 12 70-18	C		532 13 32-05	O		533 30 11-40	R	
532 12 20-23	D		532 12 73-56	M		532 13 32-35	S		734 11 46-01	S	
532 12 20-27	O		532 12 73-57	M	N	532 13 37-95	R	N	810 03 06-00	M	
532 12 20-51	M		532 12 73-58	J		532 13 38-41	S		810 04 04-00	FLP	
532 12 20-52	KM		532 12 73-59	O		532 13 39-09	P	N	810 04 05-00	F	
532 12 25-04	J		532 12 73-69	J		532 13 39-43	M	N	810 04 07-00	K	
532 12 33-78	L		532 12 73-78	J		532 13 40-14	D	N	810 07 10-00	S	
532 12 33-85	L		532 12 73-80	M		532 13 43-00	C		810 09 04-00	P	
532 12 33-94	J		532 12 73-96	E		532 13 44-96	S		811 05 04-00	A	

N=New part
 Neues teil
 Nouvelle piece
 Nueva pieza
 Ny detalj

MODEL NUMBER LT100

PART NUMBER	SQUARE	NOTE	PART NUMBER	SQUARE	NOTE	PART NUMBER	SQUARE	NOTE	PART NUMBER	SQUARE	NOTE
811 05 05-00	L		874 76 05-16	G							
811 05 06-00	P		874 76 05-28	M							
812 00 00-01	L		874 76 05-40	L							
812 00 00-28	L		874 76 06-12	C							
812 00 00-29	H		874 76 06-36	O							
812 00 00-34	J		874 76 06-44	O							
812 00 00-45	E		874 78 04-08	FOP							
817 02 10-08	P		874 78 04-10	A							
817 43 10-08	E		874 78 05-16	B							
817 49 05-08	JMS		874 78 08-28	G							
817 49 05-12	ABL		874 93 05-16	S							
817 49 06-12	B		876 02 03-12	JO							
817 49 06-24	F		876 02 04-12	GHJO							
818 00 04-08	D		876 02 04-16	LO							
818 02 10-08	S										
819 09 10-16	AP										
819 09 12-10	L										
819 09 12-16	D										
819 09 14-13	BD										
819 10 12-16	F										
819 11 10-16	KM										
819 11 11-16	L										
819 11 14-16	G										
819 13 10-16	J										
819 13 12-10	C										
819 13 12-12	O										
819 13 13-16	GHJKO										
819 13 14-10	M										
819 13 20-12	BJ										
819 13 38-08	E										
819 17 16-16	LMO										
819 17 19-12	C										
819 21 16-16	E										
819 25 18-16	J										
819 27 20-16	H										
871 04 04-12	L										
871 17 07-44	K	N									
872 05 04-11	C										
872 11 04-04	D										
872 11 05-06	J										
872 11 06-06	G										
872 11 06-08	M										
872 11 06-16	M										
872 14 05-05	M										
872 14 05-06	L										
872 14 06-12	K										
873 03 08-00	G										
873 05 09-00	M										
873 22 04-00	AP										
873 22 05-00	S										
873 22 06-00	F										
873 35 04-00	P										
873 35 06-00	JO										
873 51 04-00	BDP										
873 51 05-00	JKLP										
873 68 04-00	O										
873 68 05-00	BCGLMS										
873 68 06-00	CJK										
873 68 08-00	G										
873 80 06-00	GJMOS										
873 81 05-00	L										
873 90 10-00	H										
873 93 06-00	JK										
874 01 10-56	H										
874 19 10-08	S										
874 29 10-10	S										
874 76 04-12	FP										
874 76 04-28	D										
874 76 05-12	BKS										
874 76 05-14	F										

N=New part
 Neues teil
 Nouvelle piece
 Nueva pieza
 Ny detalj