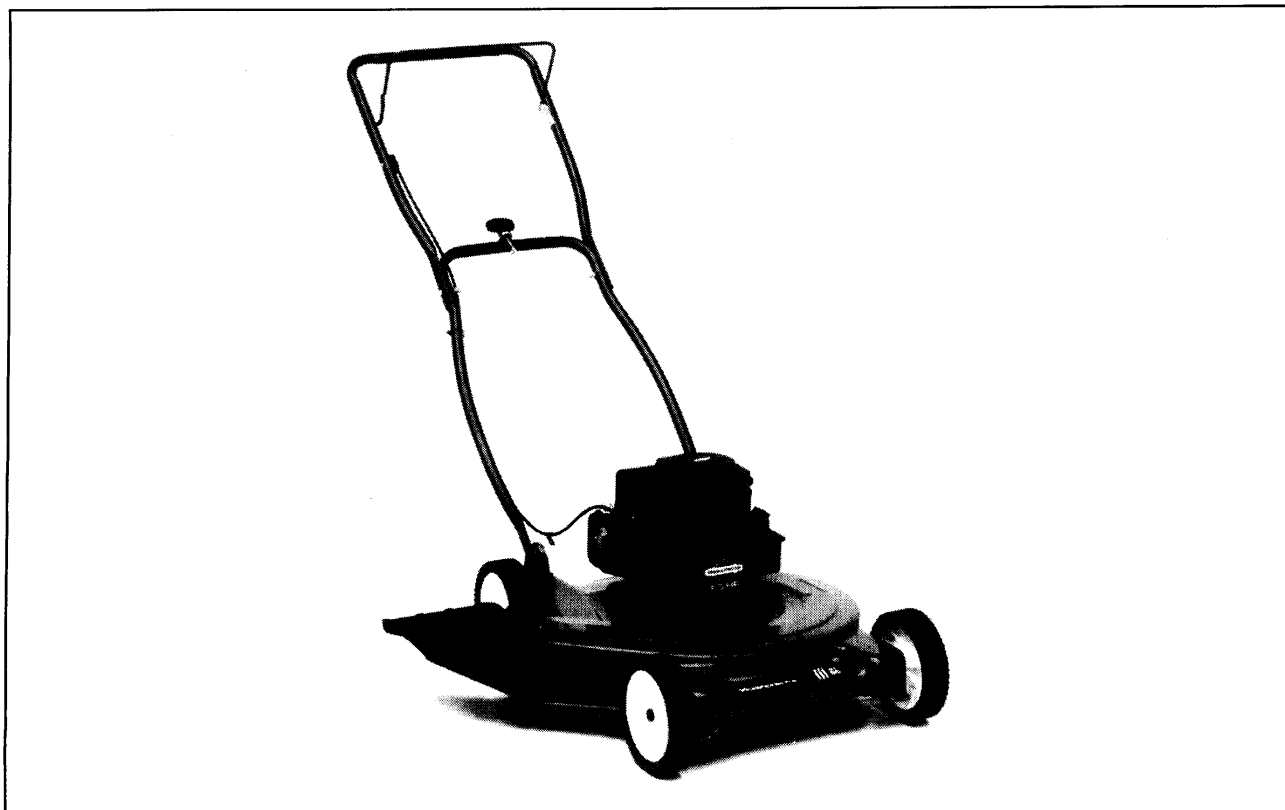


# Jet 50



**1.1994**

**Spare parts**

**Ersatzteile**

**Pièces détachées**

**Reserve onderdelen**

**Repuestos**

**Reservdelar**

**Replaces**

**Ersetzt**

**Remplace**

**Vervangt**

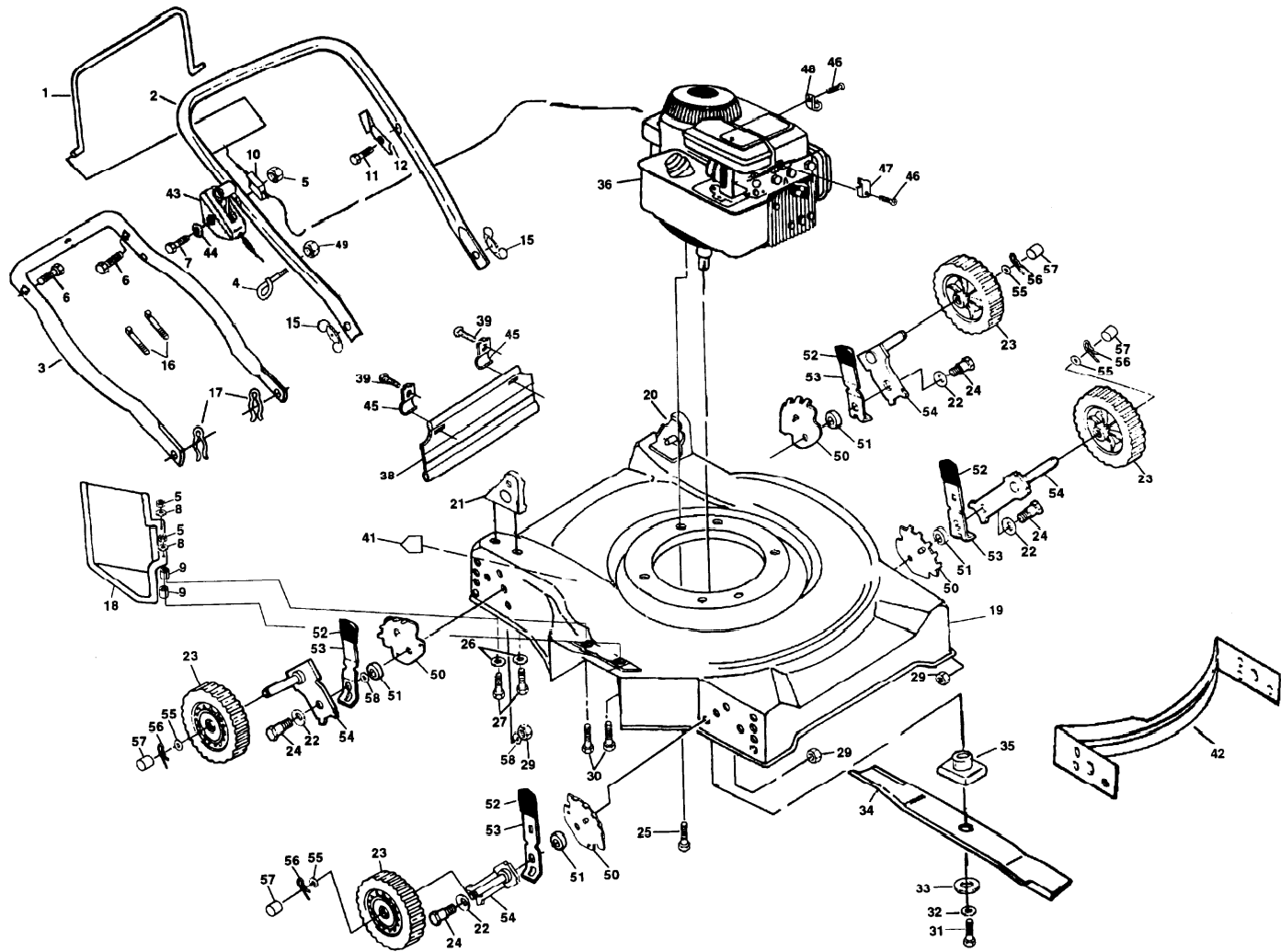
**Reemplaza**

**Ersätter**

**106 23 54-63**

PART NUMBER SQUARE NOTE

532 05 17-93		
532 05 21-60		
532 05 38-47		N
532 05 51-87		N
532 05 92-89		N
532 06 23-35		
532 06 36-01		N
532 06 64-26		
532 08 38-16		
532 08 49-20		
532 08 49-21		
532 08 51-79		
532 08 56-92		N
532 08 57-23		N
532 08 69-02		
532 08 78-77		
532 08 79-30		N
532 10 73-39		
532 12 51-62		
532 12 51-68		
532 12 51-72		
532 12 52-07		
532 12 52-93		
532 12 53-02		
532 12 53-38		
532 12 86-38		
532 13 04-91		
532 13 06-40		
532 13 08-61		N
532 13 19-59		
532 13 20-01		
532 13 99-01		N
532 14 04-65		N
532 14 04-66		N
532 70 06-29		N
532 75 00-97		N
532 75 12-28		
532 75 15-92		N
532 80 00-90		
532 85 02-63		
532 85 09-72		
532 85 09-77		
532 85 09-98		
532 85 10-74		
532 85 10-84		
532 85 14-62		
532 85 17-50		
734 11 72-01		
873 51 04-00		N
874 76 04-24		



KEY PART NO. NO.	DESCRIPTION
1	532 08 69-02 Control Bar
2	532 12 53-38 Upper Handle
3	532 12 52-93 Lower Handle
4	532 13 20-01 Rope Guide
5	532 06 36-01 Locknut 1/4-20
6	532 13 19-59 Handle Bolt 5/16-18x1-3/4
7	532 08 56-92 Machine Screw 1/4-20x2.12
8	532 05 38-47 Washer
9	532 13 06-40 Spacer
10	532 13 08-61 Engine Zone Control Cable
11	532 75 00-97 Hex Washer Head Screw #10-24 x 1/2
12	532 12 51-62 Up-Stop Bracket
15	532 12 86-38 Steel Wingnut 5/16-18
16	532 06 64-26 Wire Tie
17	532 05 17-93 Hairpin Cotter
18	532 85 17-50 Discharge Guard
19	532 70 06-29 Housing Assembly Kit (Includes #42)
20	532 14 04-66 Handle Bracket Assembly (toft)
21	532 14 04-65 Handle Bracket Assembly (Right)
22	532 06 23-35 Belleville Washer
23	532 13 04-91 Wheel & Tire Assembly
24	532 08 49-21 Shoulder Bolt
25	532 85 09-98 Hex Head Thread Rolling Screw 3/8-16 x 1-1/8
26	532 05 92-89 Washer
27	532 05 51-87 Thread Cutting Screw 5116-18x3/4
29	532 75 15-92 Locknut 3/8-16
30	874 76 04-24 Hex Head Bolt 1/4-20
31	532 85 10-84 Hex Head Screw 3/8-24 x 1 -3/8 Gr. 8

KEY PART NO. NO.	DESCRIPTION
32	532 85 02-63 Helical Lockwasher 3/8
33	532 85 10-74 Hardened Washer
34	532 85 09-72 20" Blade
35	532 85 09-77 Blade Adapter
36	----- Engine-Briggs & Stratton Model No. 95902
38	532 75 12-28 Rear Skirt
39	532 75 00-97 Hex Washer Head Screw #10-24x.50
41	532 10 73-39 Decal, Danger
42	532 12 53-02 Front Baffle
43	532 85 14-62 Throttle Control
44	532 08 57-23 Washer
45	532 12 52-07 Skirt Brackets
46	532 08 38-16 Screw #10
47	532 21 31-46 Clamp
48	532 08 79-30 Throttle Clip
49	873 51 04-00 Keps Locknut
50	532 13 99-01 Wheel Adjusting Bracket
51	532 08 49-20 Spacer
52	532 08 78-77 Selector Knob
53	532 12 51-68 Selector Spring
54	532 12 51-72 Axle Arm Assembly
55	532 05 21-60 Washer
56	532 08 51-79 Retainer Clip
57	532 80 00-90 Hubcap
58	734 11 72-01 Washer
—	532 13 71-84 Decal, Housing
—	532 70 06-96 Decal, Warning