

Jet 51



1.1994

Spare parts

Ersatzteile

Pièces détachées

Reserve onderdelen

Repuestos

Reservdelar

Replaces

Ersetzt

Remplace

Vervangt

Reemplaza

Ersätter

106 23 57-63

PART NUMBER SQUARE NOTE

532 03 69-53
532 05 17-93
532 05 71-43
532 06 23-35
532 06 64-26
532 08 38-16
532 08 39-23
532 08 49-20
532 08 49-21
532 08 57-23

532 08 75-89
532 08 75-90
532 08 75-93
532 08 79-30
532 10 73-39
532 12 50-46
532 12 51-62
532 12 51-68
532 12 51-69
532 12 52-07

532 12 52-93
532 12 52-95
532 12 54-23
532 12 54-24
532 13 08-61
532 13 08-77
532 13 19-59
532 13 20-01
532 13 28-00
532 13 63-76

N

N

532 13 71-83
532 13 71-96
532 13 97-90
532 14 04-65
532 14 04-66
532 14 08-36
532 14 09-96
532 21 31-46
532 70 06-96
532 70 13-13

N

N

N

N

N

N

N

N

N

532 75 12-28
532 75 15-92
532 80 03-33
532 80 05-47
532 80 05-70
532 80 06-27
532 85 02-63
532 85 07-24
532 85 07-35
532 85 07-78

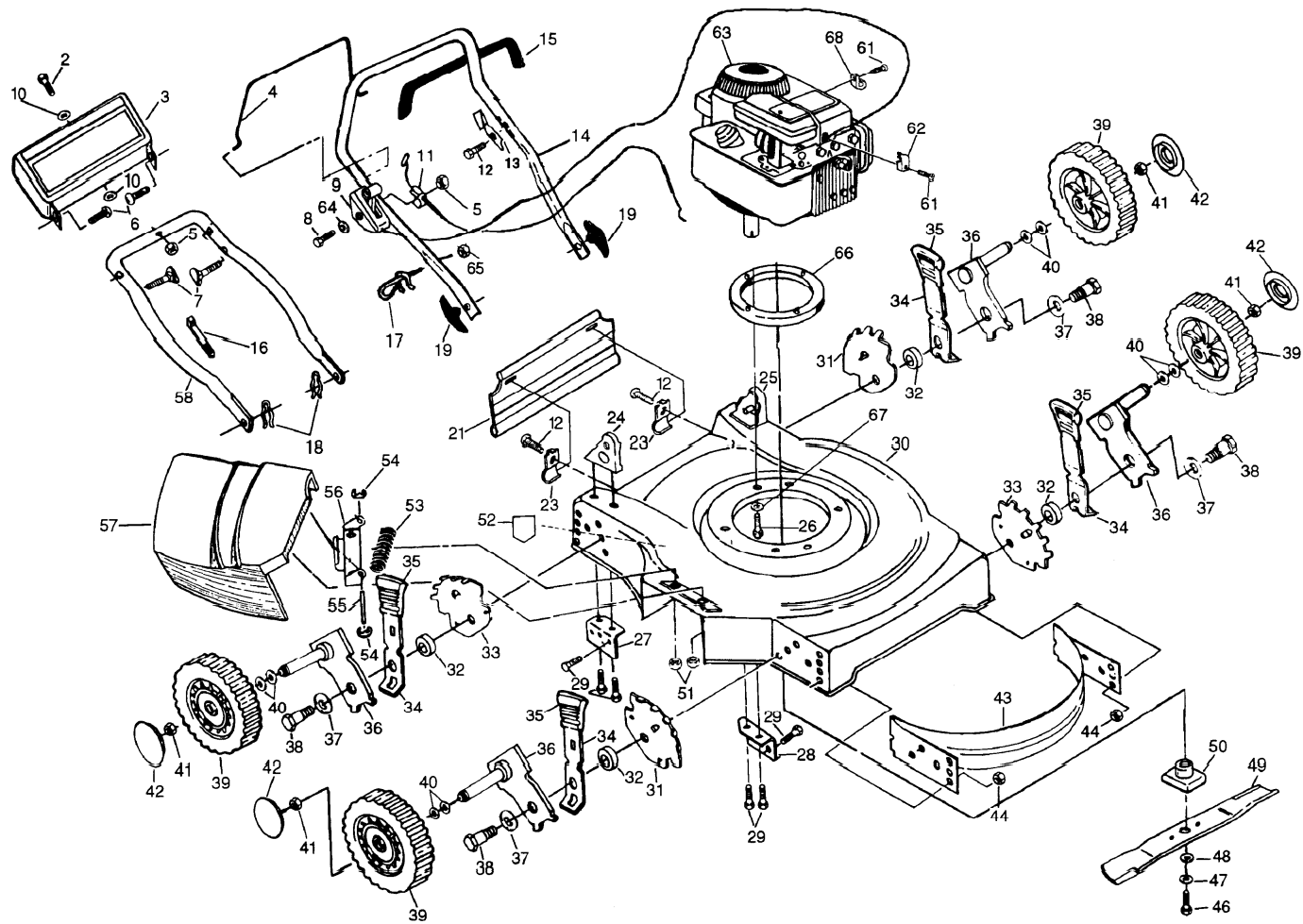
N

532 85 07-88
532 85 09-72
532 85 09-77
532 85 10-74
532 85 10-84
532 85 14-62
734 11 52-01
812 00 00-14
817 02 10-08
819 13 16-14

N

873 22 04-00
873 51 04-00
873 68 04-00
874 76 04-24
874 76 04-44
874 76 06-36
874 78 05-24

N



KEY PART NO. NO.	DESCRIPTION
2	874 76 04-24 Hex Washer Head Screw 1/4 20 x 41/2
3	532 80 05-47 Trim Plate
4	532 85 07-35 Control Bar
5	873 68 04-00 Locknut 1/4-20
6	532 03 69-53 Self-tapping Screw #1024 x 5/8
7	532 13 19-59 Handle Bolt 5/16-18 x 1-3/4
8	874 76 04-44 Machine Screw 1/420 x 2-1/S
9	532 85 14-62 Throttle Control
10	734 11 52-01 Washer
11	532 13 08-61 Engine Zone Control Cable
12	817 02 10-08 Hex Washer Head Screw #1024 x 1/2
13	532 12 51-62 Up-Stop Bracket
14	532 12 52-95 Upper Handle With Grip
15	532 85 07-24 Handle Grip
16	532 06 64-26 Wire Tie
17	532 13 20-01 Rope Guide
18	532 05 17-93 Hairpin Cotter
19	532 13 63-76 Handle Knob
21	532 75 12-28 Rear Skirt
23	532 12 52-07 Rear Skirt Bracket
24	532 14 04-65 Handle Bracket Assembly (Right)
25	532 14 04-66 Handle Bracket Assembly (Left)
26	874 76 06-36 Thread Rolling Screw 3/816 x 2
27	532 12 54-24 Support Handle Bracket (Right)
28	532 12 54-23 Support Handle Bracket (Left)
29	874 78 05-24 Screw 5/16-18
30	532 13 08-77 Lawn Mower Housing (Includes Key #52)
31	532 14 09-96 Wheel Adjusting Bracket (L.R., R.F.)
32	532 08 49-20 Spacer
33	532 14 08-36 Wheel Adjusting Bracket (R.R., L.F.)
34	532 12 51-68 Selector Spring
35	532 13 28-00 Selector Knob
36	532 12 51-69 Axle Arm Assembly
37	532 06 23-35 Belleville Washer
38	532 08 49-21 Shoulder Bolt 3/816

KEY NO.	PART NO.	DESCRIPTION
39	532 80 03-33	Wheel Assembly
40	532 05 71-43	Washer
41	532 08 39-23	Locknut
42	532 80 06-27	Hubcap
43	532 13 97-90	Front Baffle
44	532 75 15-92	Locknut 3/8-16
46	532 85 10-84	Hex Head Screw 3/8-24 x 1-3/8 Gr. 8
47	532 85 02-63	Helical Lockwasher 3/8
48	532 85 10-74	Hardened Washer
49	532 85 09-72	20" Blade
50	532 85 09-77	Blade Adapter
51	873 22 04-00	Locknut
52	532 10 73-39	Danger Decal
53	532 08 75-89	Torsion Spring
54	812 00 00-14	E-Ring
55	532 08 75-90	Hinge Rod
56	532 08 75-93	Housing Bracket Assembly
57	532 85 07-78	Discharge Guard
58	532 12 52-93	Lower Handle
61	532 08 38-16	Thread Rolling Screw#10-32 x 5/8
62	532 21 31-46	Cable Clamp
63	-----	Engine - Briggs & Stratton Model No. 98902
64	532 08 57-23	Washer
65	873 51 04-00	Locknut, Keps 1/2 -20
66	532 70 13-13	Engine Spacer
67	819 13 16-14	Washer
68	532 08 79-30	Guide Clip
—	532 12 50-46	Rear Baffle (Not Shown)
—	532 80 05-70	Decal (Engine)
—	532 13 71-83	Decal (Housing)
—	532 13 71-96	Decal, (Housing)
—	532 85 07-88	Decal (Trim Plate)
—	532 70 06-96	Decal, Warning