

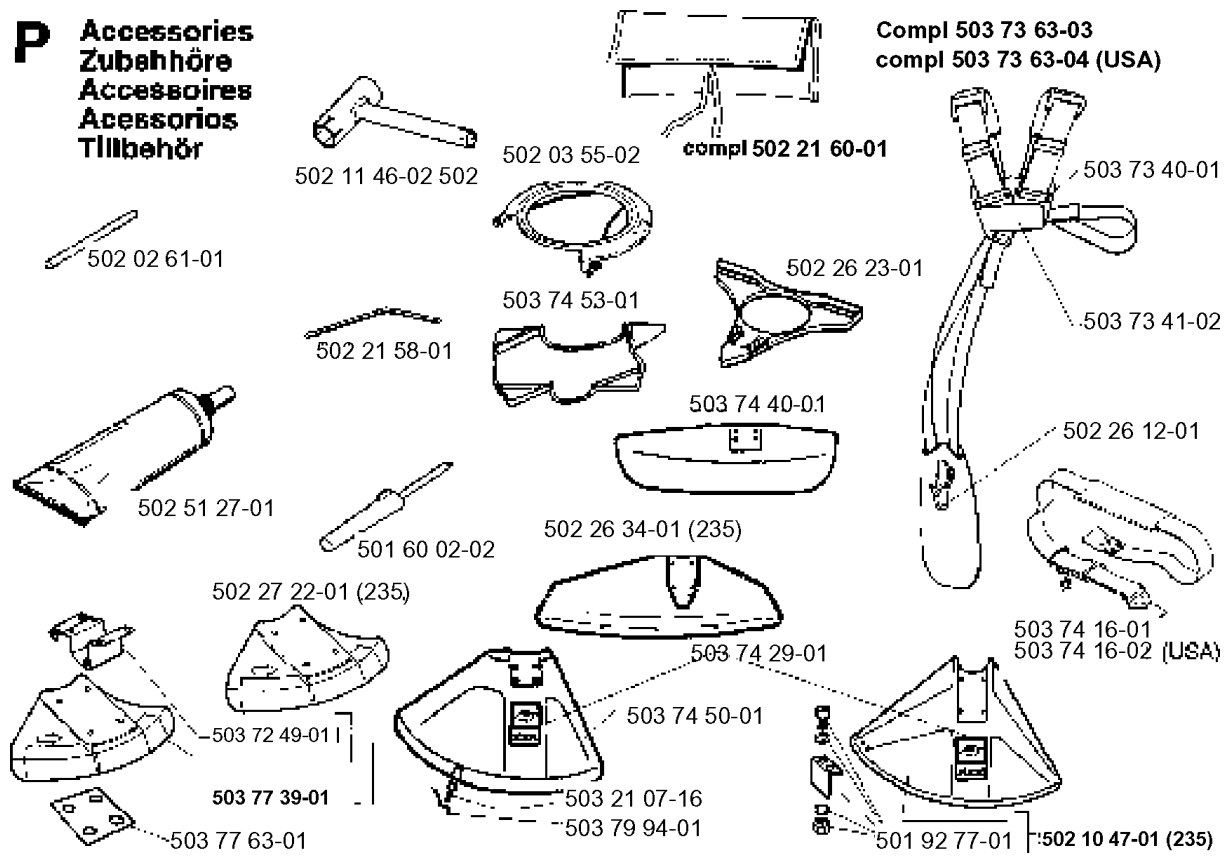


SPARE PARTS LIST

BRUSHCUTTERS/CLEARING SAWS

235 R, 1995-11

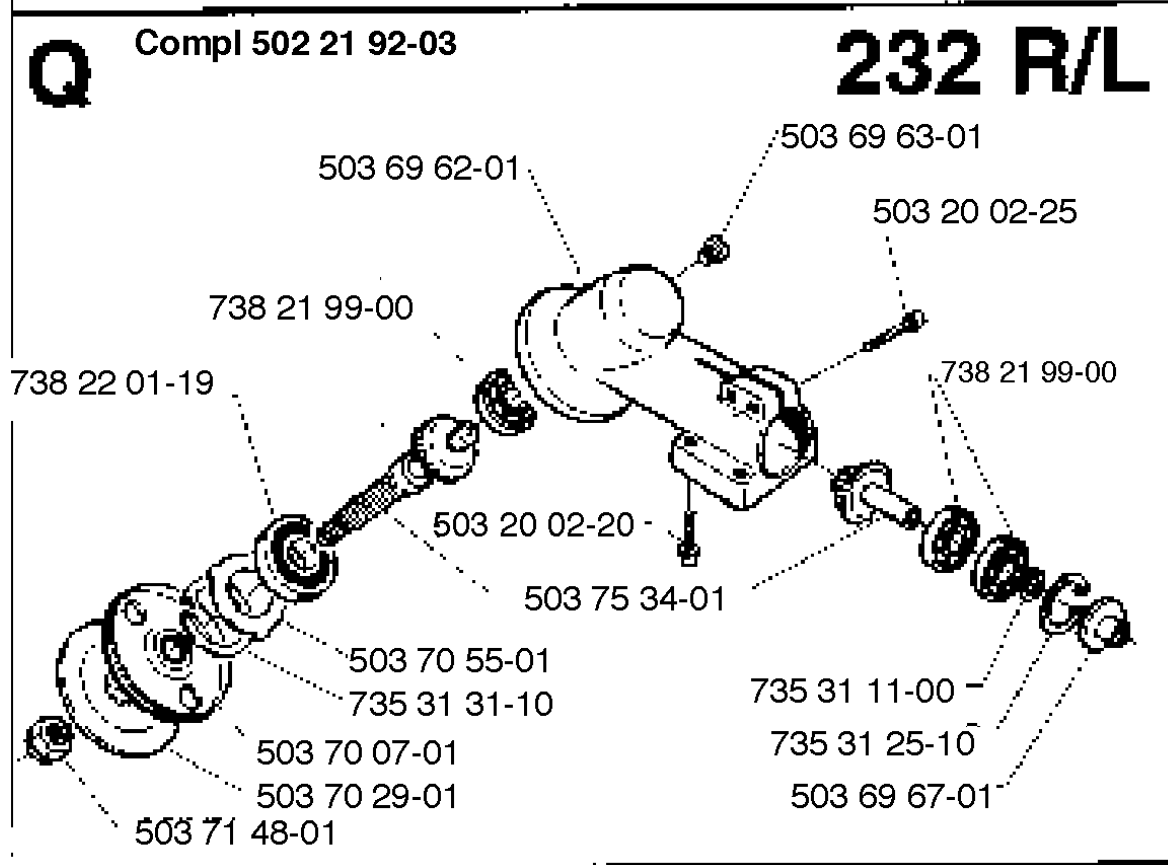
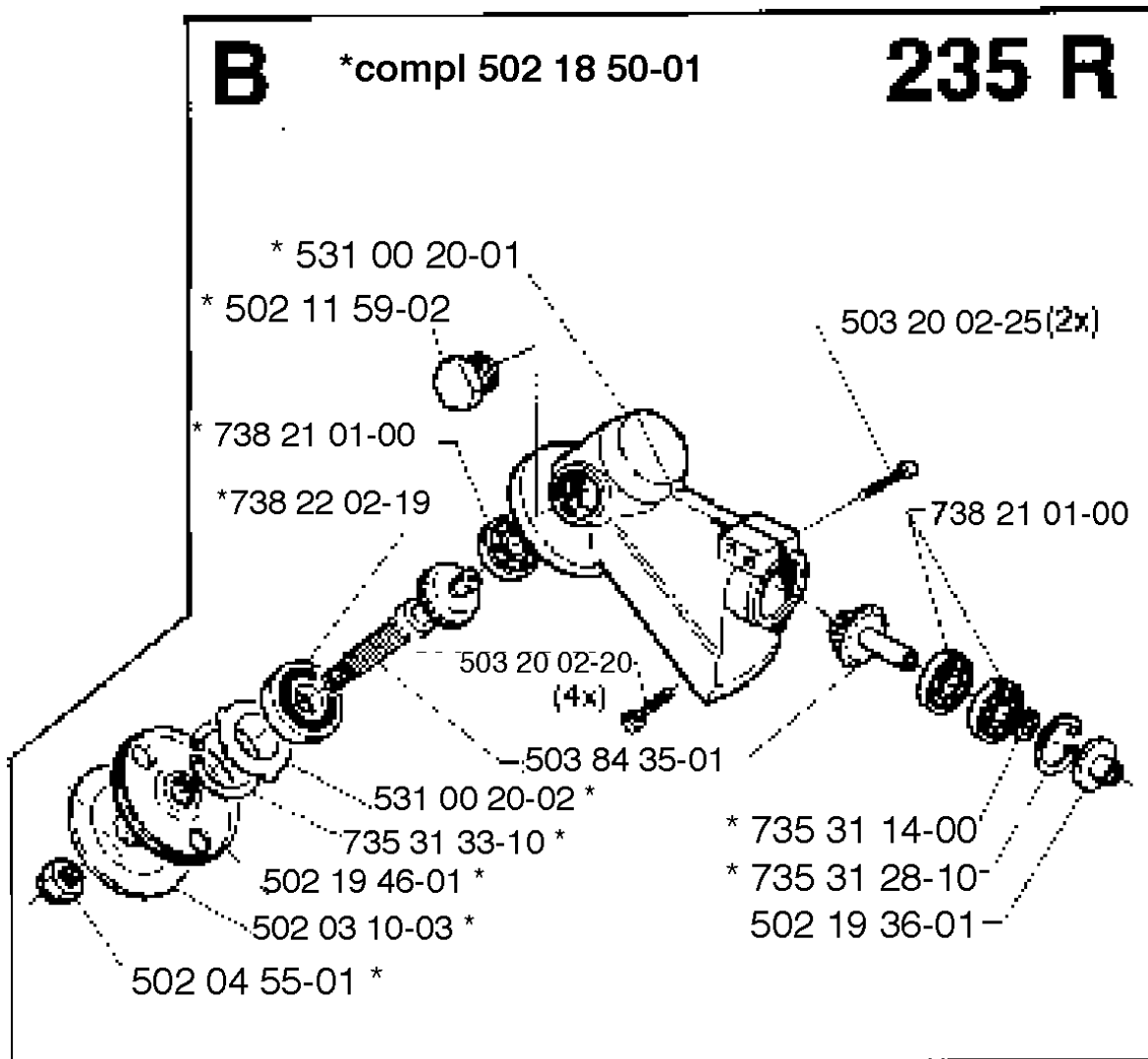
P Accessories
Zubehöre
Accessoires
Acessorios
Tillbehör



ACCESSORIES

235 R, 1995-11

Part No	Description	Remark	QTY KIT
501 60 02-02	SCREWDRIVER		1
501 92 77-01	CORD		1
502 02 61-01	STOP		1
502 03 55-02	TRANSPORTSKYDD KPL		1
502 10 47-01	TRIMMER GUARD	235	1
502 11 46-02	SOCKET WRENCH	502	1
502 21 58-01	L-NYCKEL		1
502 21 60-01	ACCESSORY BAG		1
502 26 12-01	WELT HOOK		1
502 26 23-01	TRANSPORT GUARD		1
502 26 34-01	SPLASH GUARD	235	1
502 27 22-01	SAW BLADE GUARD	235	1
502 51 27-01	GREASE		1
503 21 07-16	SCREW IHSCT		1
503 72 49-01	ADAPTER		1
503 73 40-01	FRONT PIECE		1
503 73 41-02	FRONT PIECE		1
503 73 63-03	HARNESS		1
503 73 63-04	HARNESS ASSY	USA	1
503 74 16-01	HARNESS ASSY		1
503 74 16-02	HARNESS ASSY	USA	1
503 74 29-01	DECAL		1
503 74 40-01	BLADE GUARD		1
503 74 50-01	TRIMMER GUARD		1
503 74 53-01	TRANSPORT GUARD		1
503 77 39-01	SAW BLADE GUARD		1
503 77 63-01	BASEPLATE		1
503 79 94-01	BLADE		1

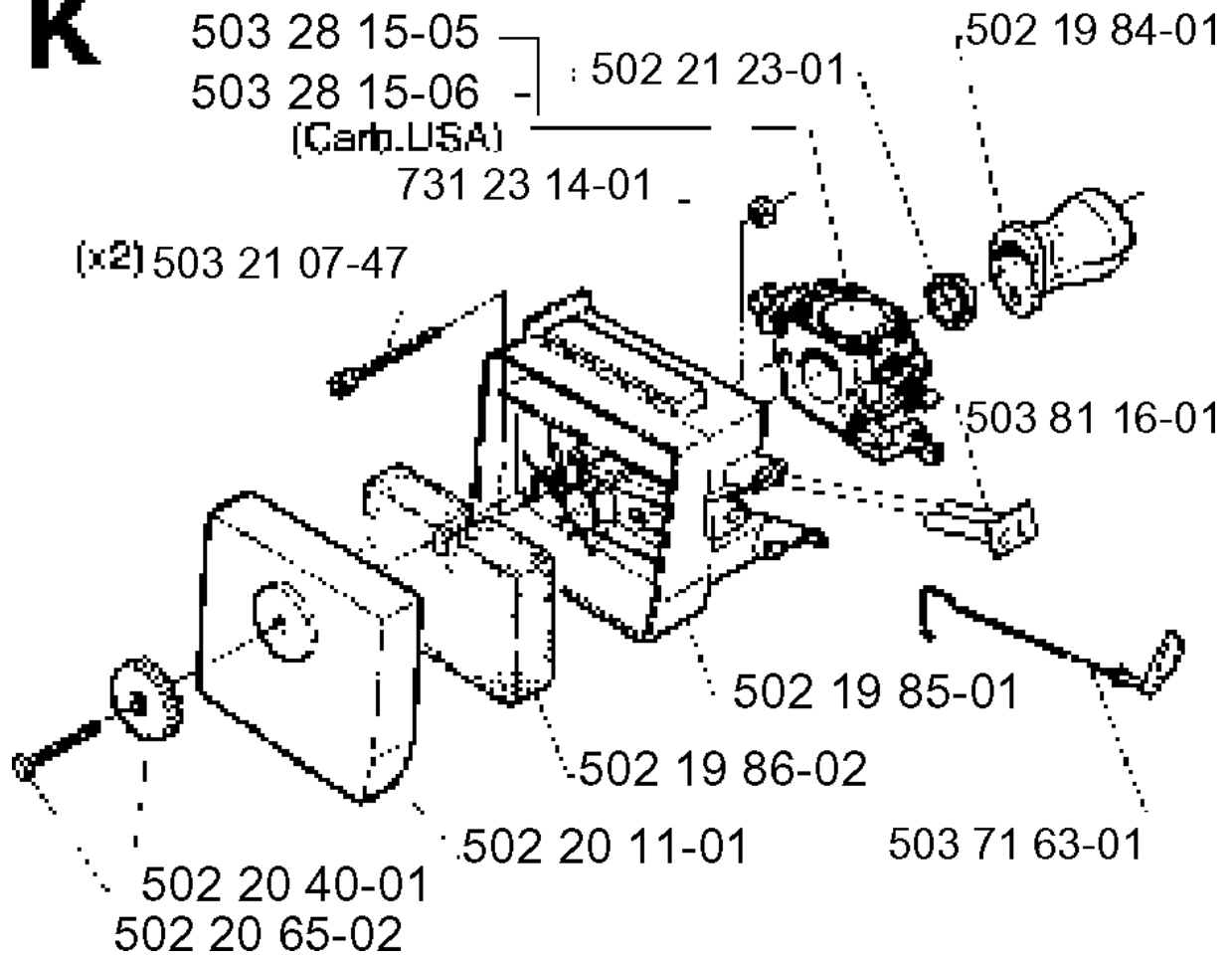


BEVEL GEAR

235 R, 1995-11

Part No	Description	Remark	QTY KIT
502 03 10-03	SUPPORT FLANGE ASSY		1
502 04 55-01	LOCKING NUT		1
502 11 59-02	PLUG		1
502 18 50-01	GEAR ASSY		1
502 19 36-01	GASKET RING UPPER		1
502 19 46-01	DRIVER		1
502 21 92-03	GEAR		1
503 20 02-20	SCREW IHSCFM		1
503 20 02-25	SCREW IHSCFM		1
503 21 93-16	SCREW IHSCM		4
503 69 62-01	GEAR HOUSING		1
503 69 63-01	PLUG		1
503 69 67-01	GASKET RING UPPER		1
503 70 07-01	DRIVER		1
503 70 29-01	SUPPORT FLANGE		1
503 70 55-01	COVER WASHER		1
503 71 48-01	NUT BLADE		1
503 74 73-01	MUFFLER CAT		1
503 74 75-01	GASKET		1
503 75 34-01	GEAR WHEEL		1
503 76 18-02	CATALYTIC CONV UNIT		1
503 84 35-01	GEAR WHEEL		1
531 00 20-01	GEAR HOUSING		1
531 00 20-02	PROTECTIVE WASHER		1
725 53 29-55	SCREW IHSCM		3
735 31 11-00	CIRCLIP		1
735 31 14-00	CIRCLIP		1
735 31 25-10	CIRCLIP		1
735 31 28-10	CIRCLIP		1
735 31 31-10	CIRCLIP		1
735 31 33-10	CIRCLIP		1
738 21 01-00	BALL BEARING		1
738 21 99-00	BALL BEARING		1
738 21 99-00	BALL BEARING		1
738 22 01-19	BALL BEARING		1
738 22 02-19	BALL BEARING		1

K

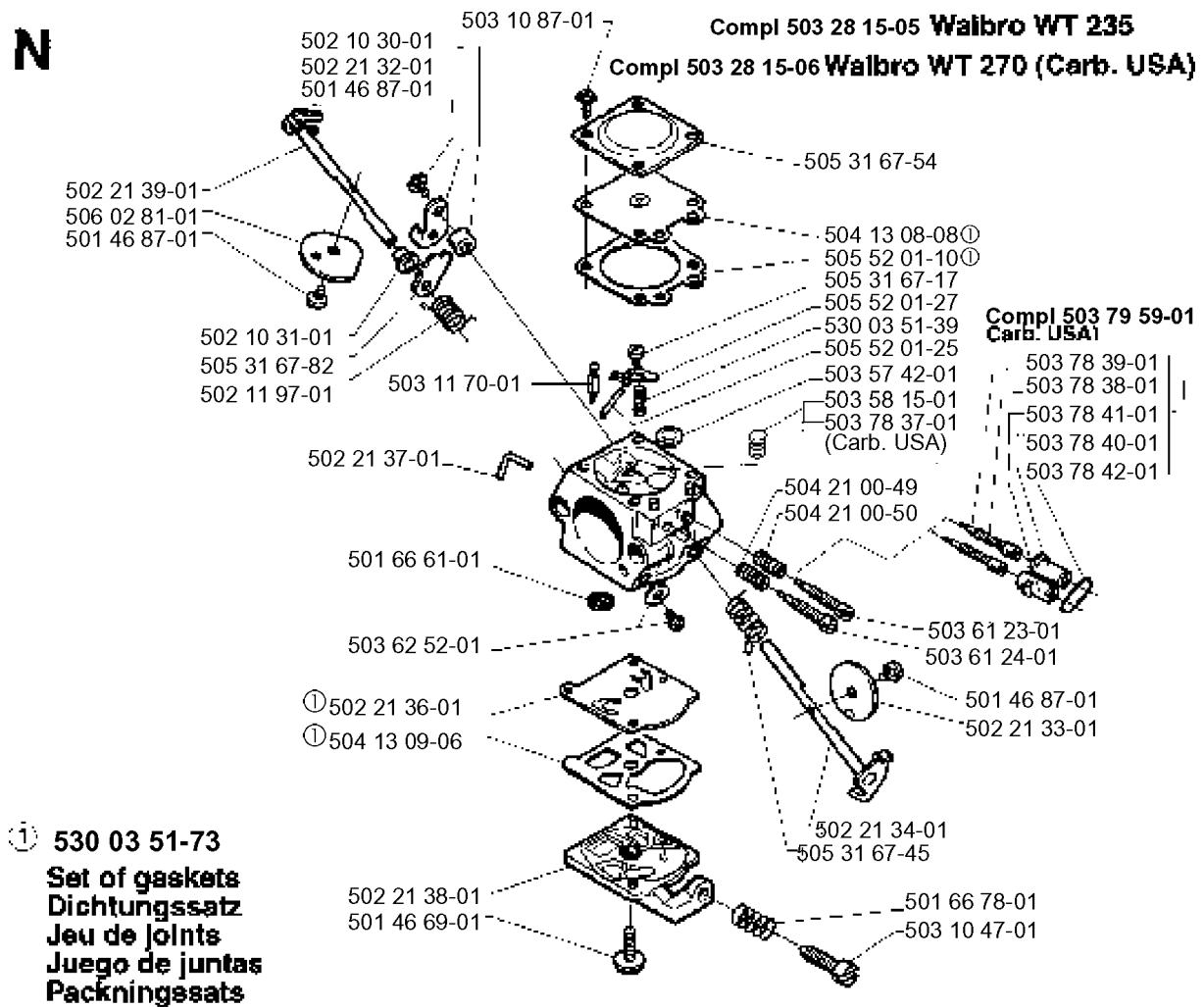


CARBURETOR & AIR FILTER

235 R, 1995-11

Part No	Description	Remark	QTY KIT
502 19 84-01	INLET PIPE		1
502 19 85-01	FILTER HOLDER		1
502 19 86-02	AIR FILTER		1
502 20 11-01	FILTER COVER		1
502 20 40-01	KNOB		1
502 20 65-02	SCREW EHHM		1
502 21 23-01	SUPPORT RING		1
503 21 07-47	SCREW IHSCFT		2
503 28 15-05	CARBURETTOR		1
503 28 15-06	CARBURETTOR	CARB. LISA	1
503 71 63-01	CHOKE CONTROL		1
503 81 16-01	GUIDE BUSHING		1
731 23 14-01	HEXAGON NUT		1

N

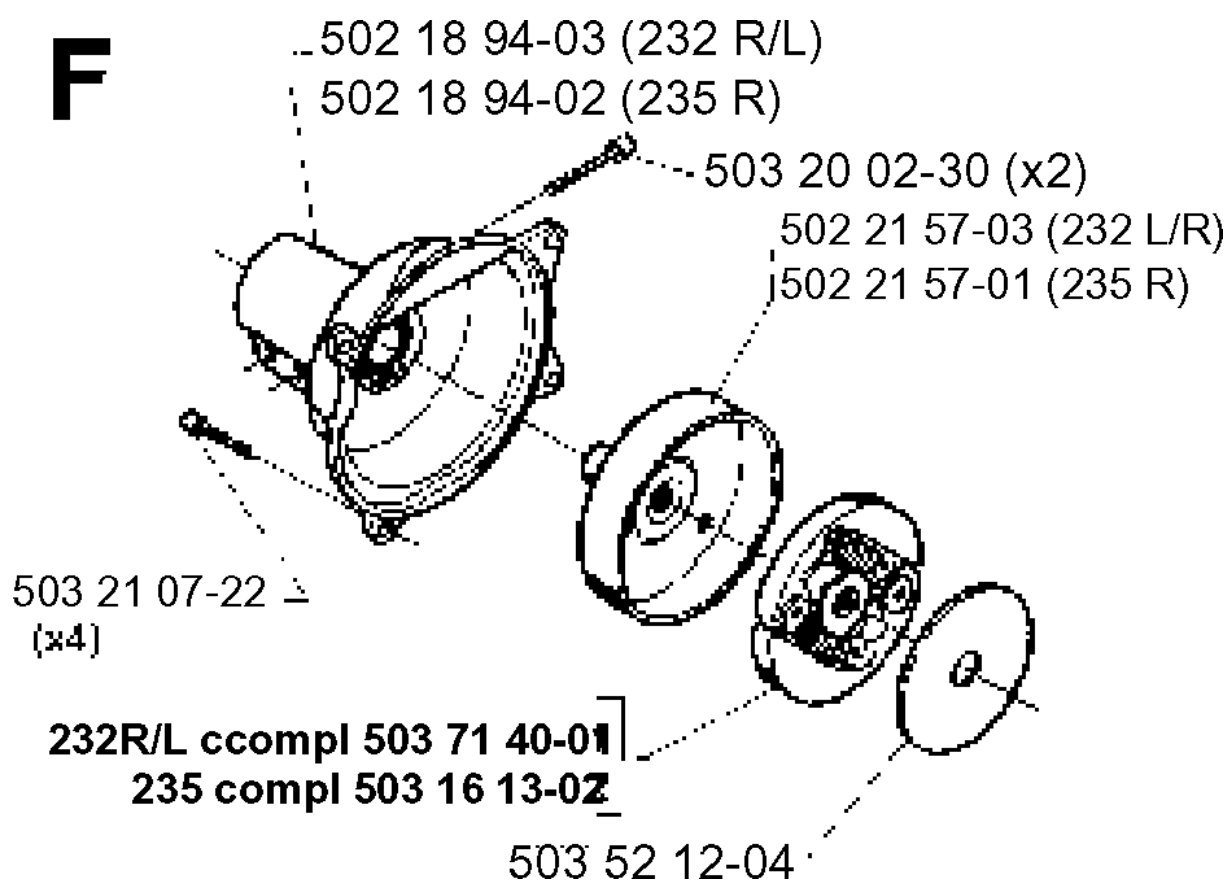


CARBURETOR DETAILS

235 R, 1995-11

Part No	Description	Remark	QTY KIT
501 46 69-01	SCREW		1
501 46 87-01	SCREW		1
501 46 87-01	SCREW		1
501 46 87-01	SCREW		1
501 66 61-01	SCREEN		1
501 66 78-01	SPRING		1
502 10 30-01	DISTANCE		1
502 10 31-01	BUSHING		1
502 11 97-01	RECOIL SPRING		1
502 21 32-01	LEVER THROTTLE		1
502 21 33-01	VALVE THROTTLE		1
502 21 34-01	SHAFT ASS THROTTLE		1
502 21 36-01	DIAPHRAGM PUMP	530 03 51-73 SET OF GASKETS	1
502 21 37-01	FITTING		1
502 21 38-01	COVER		1
502 21 39-01	SHAFT ASSY		1
503 10 47-01	SCREW		1
503 10 87-01	SCREW		1
503 11 70-01	NEEDLE		1
503 28 15-05	CARBURETTOR	WALBRO WT 235	1
503 28 15-06	CARBURETTOR	WALBRO WT 270 CARB. USA	1
503 57 42-01	PLUG		1
503 58 15-01	NOZZLE ASSY		1
503 61 23-01	NEEDLE IDLE SPEED		1
503 61 24-01	NEEDLE-HIGH SPEED		1
503 62 52-01	SCREW ASSY		1
503 78 37-01	NOZZLE ASSY	CARB. USA	1
503 78 38-01	NEEDLE IDLE SPEED		1
503 78 39-01	NEEDLE HIGH SPEED		1
503 78 40-01	LIMITER CAP		1
503 78 41-01	LIMITER CAP		1
503 78 42-01	O-RING		1
503 79 59-01	NEEDLE	CARB. USA	1
504 13 08-08	DIAPHRAGM	530 03 51-73 SET OF GASKETS	1
504 13 09-06	GASKET	530 03 51-73 SET OF GASKETS	1
504 21 00-49	SPRING		1
504 21 00-50	SPRING		1
505 31 67-17	SCREW		1
505 31 67-45	SPRING		1
505 31 67-54	LOCK STYRMEMBRAN		1
505 31 67-82	LEVER		1
505 52 01-10	GASKET	530 03 51-73 SET OF GASKETS	1
505 52 01-25	PIN-METERING LEVER		1
505 52 01-27	LEVER		1
506 02 81-01	VALVE		1
530 03 51-39	SPRING		1

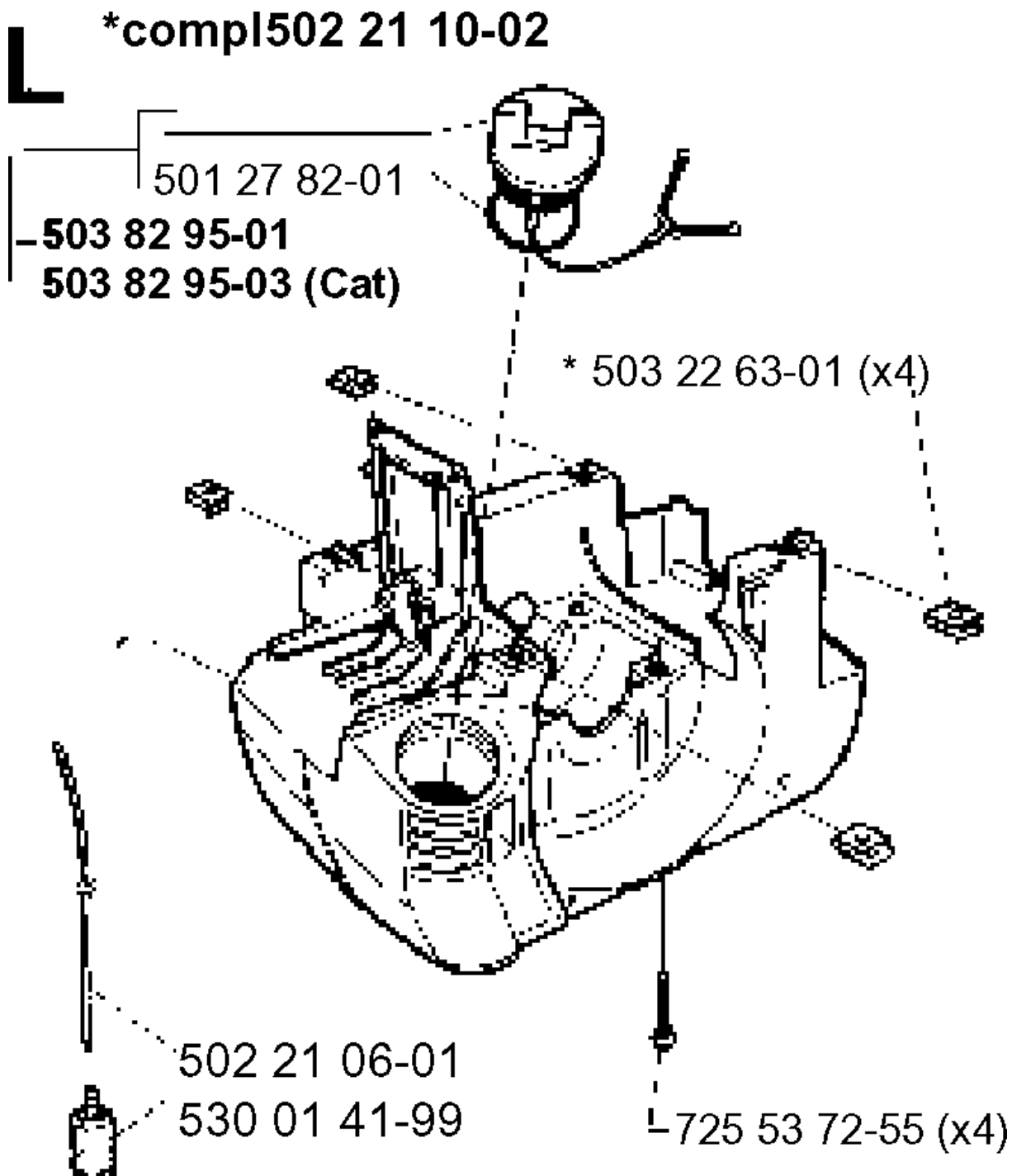
F



CLUTCH

235 R, 1995-11

Part No	Description	Remark	QTY KIT
502 18 94-02	CLUTCH COVER ASSY	235 R	1
502 18 94-03	CLUTCH COVER ASSY	232 R/L	1
502 21 57-01	CLUTCH DRUM ASSY	235 R	1
502 21 57-03	CLUTCH DRUM ASSY	232 L/R	1
503 16 13-02	CLUTCH ASSY	235	1
503 20 02-30	SCREW IHSCFM		2
503 21 07-22	SCREW IHST		4
503 52 12-04	WASHER		1
503 71 40-01	CLUTCH ASSY	232R/L	1



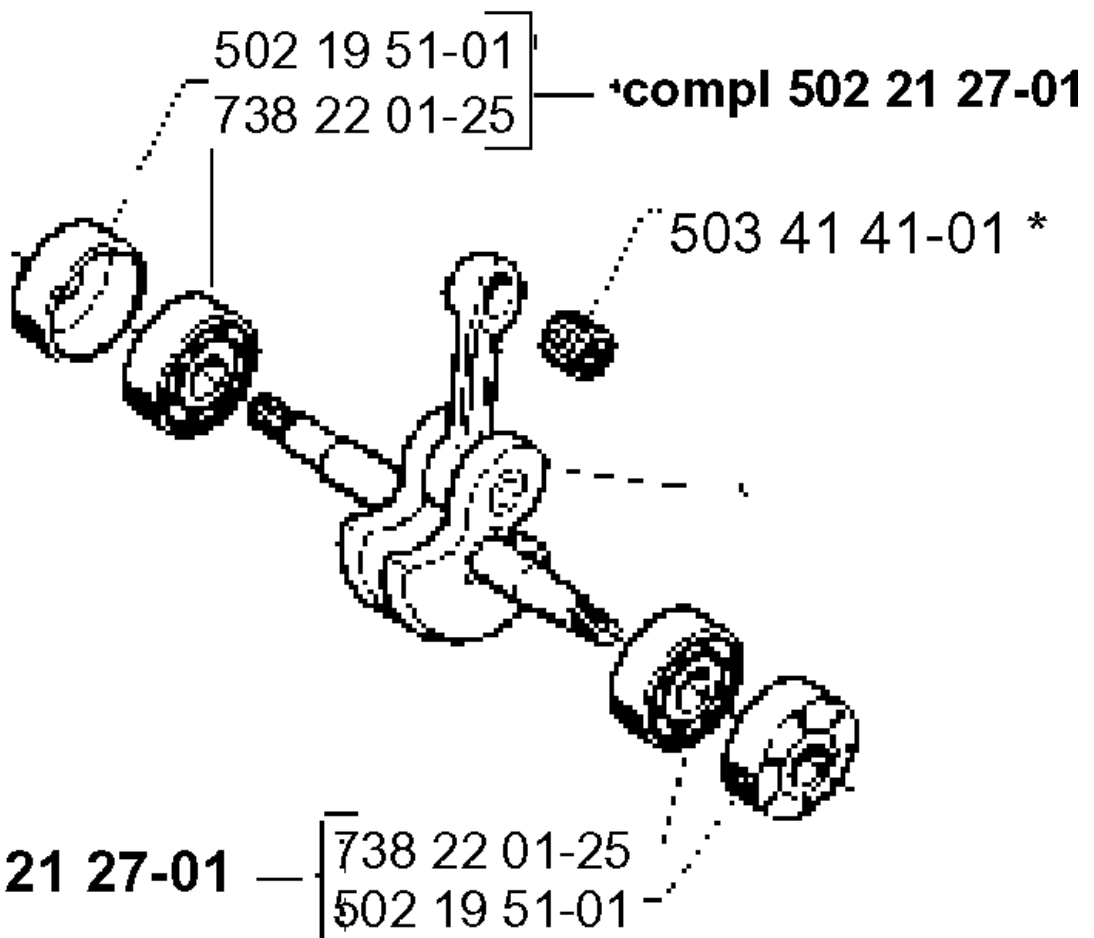
CRANKCASE

235 R, 1995-11

Part No	Description	Remark	QTY KIT
501 27 82-01	GASKET		1
502 21 06-01	FUEL HOSE		1
502 21 10-02	CRANKCASE ASSY		1
503 22 63-01	NUT QUICK-COUPLING		4
503 82 95-01	TANK CAP		1
503 82 95-03	TANK CAP	CAT	1
530 01 41-99	FUEL FILTER		1
725 53 72-55	SCREW IHSCM		4

G

***compl 502 21 28-01**

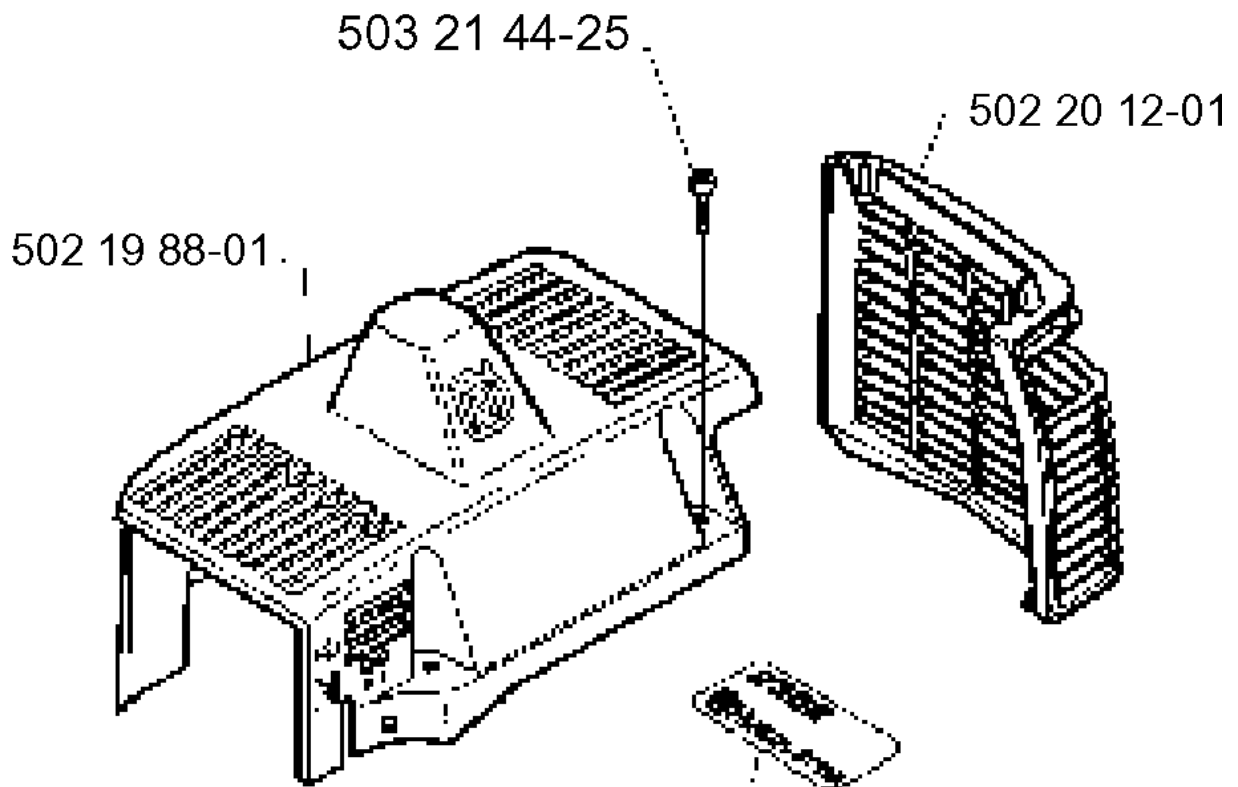


CRANKSHAFT

235 R, 1995-11

Part No	Description	Remark	QTY KIT
502 19 51-01	BEARING CAGE		1
502 19 51-01	BEARING CAGE		1
502 21 27-01	BEARING CAGE		1
502 21 27-01	BEARING CAGE		1
502 21 28-01	CRANKSHAFT ASSY		1
503 41 41-01	NEEDLE BEARING		1
738 22 01-25	BALL BEARING		1
738 22 01-25	BALL BEARING		1

C



- (235 R) 502 21 26-01
- (232 R) 502 21 26-02
- (232 L) 502 21 26-04
- (235 R CAT) 502 21 26-14
- (232 R CAT) 502 21 26-15
- (232 L CAT) 502 21 26-16

CYLINDER COVER

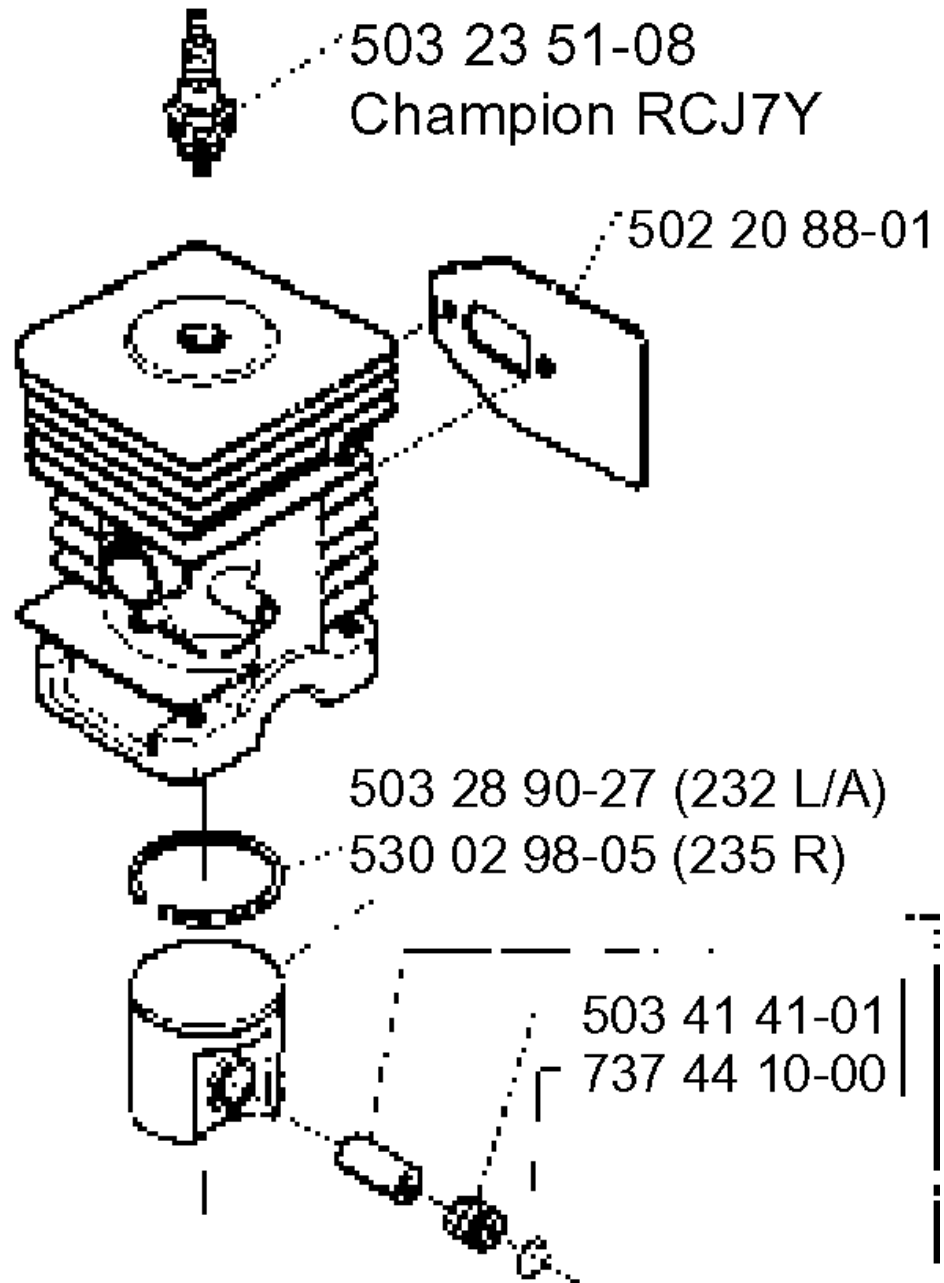
235 R, 1995-11

Part No	Description	Remark	QTY KIT
502 19 88-01	CYLINDER COVER		1
502 20 12-01	HEAT PROTECTOR		1
502 21 26-01	DECAL	235 R	1
502 21 26-02	DECAL	232 R	1
502 21 26-04	DECAL	232 L	1
502 21 26-14	DECAL	235 R CAT	1
502 21 26-15	DECAL	232 R CAT	1
502 21 26-16	DECAL	232 L CAT	1
503 21 44-25	SCREW IHSCFTO		1

D

***compl 503 72 80-01 (232 L/R)**

***compl 503 69 46-01 (235 R)**



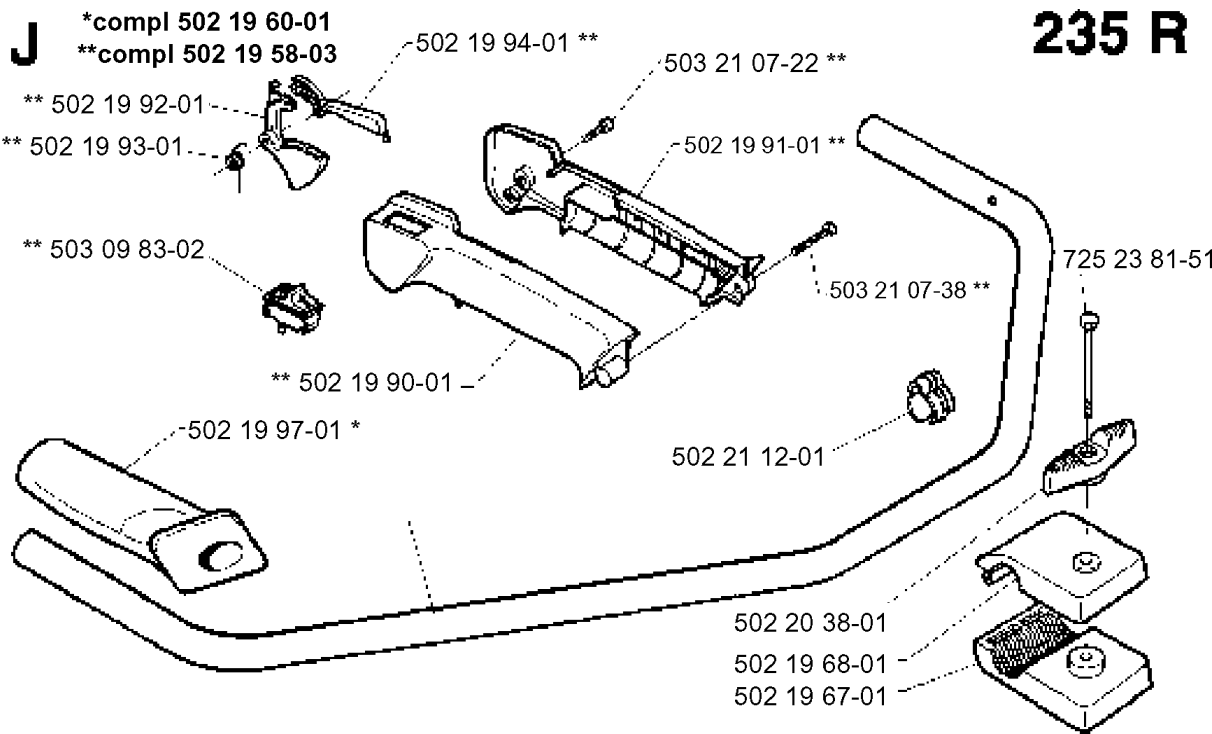
***compl 502 21 43-02 (232 L/R)**

***compl 503 68 64-02 (235 R)**

CYLINDER PISTON

235 R, 1995-11

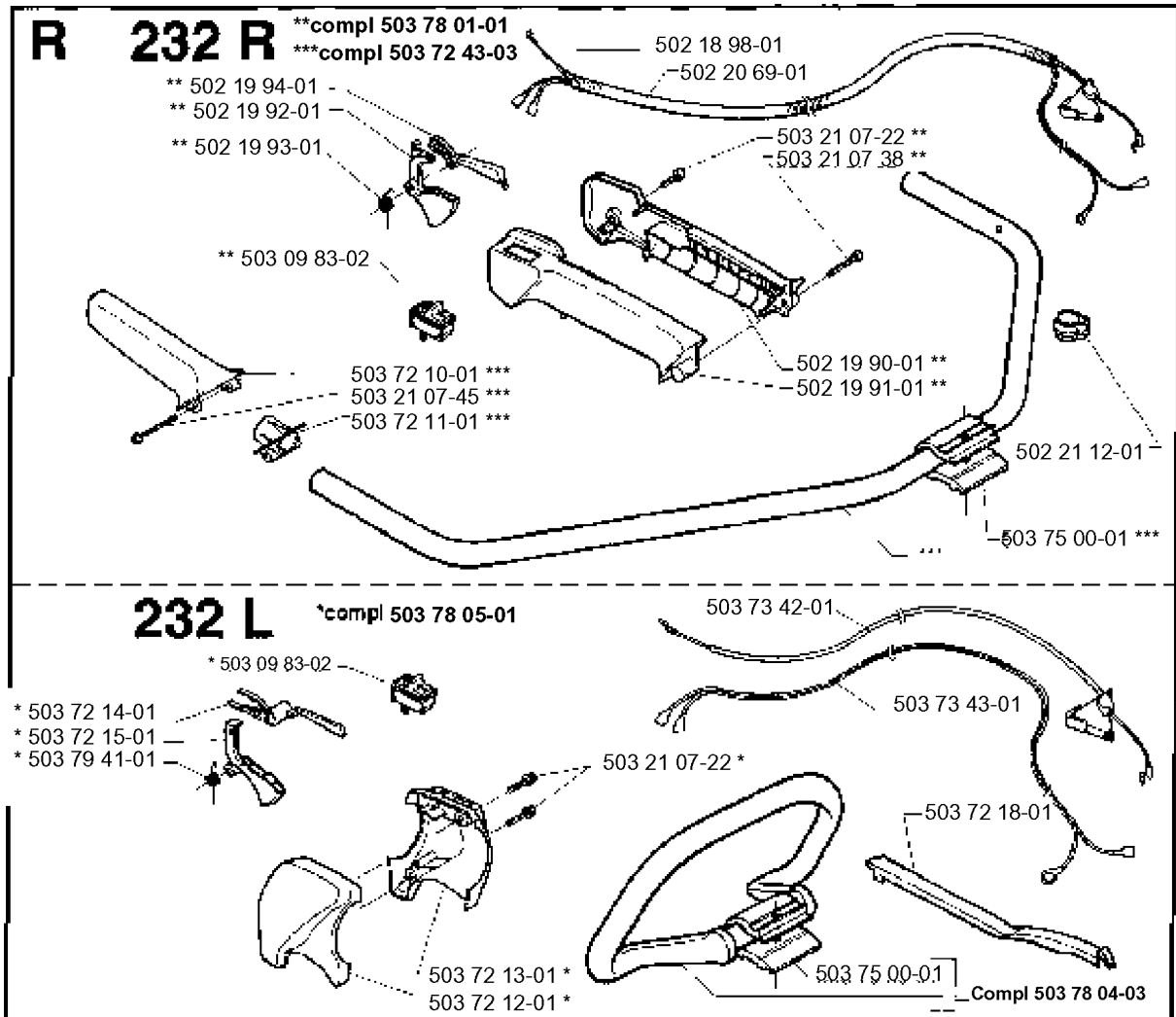
Part No	Description	Remark	QTY KIT
502 20 88-01	GASKET MUFFLER		1
502 21 43-02	PISTON ASSY	232 L/R	1
503 23 51-08	SPARK PLUG	CHAMPION RCJ7Y	1
503 28 90-27	PISTON RING	232 L/A	1
503 41 41-01	NEEDLE BEARING		1
503 68 64-02	PISTON ASSY	235 R	1
503 69 46-01	PISTON	235 R	1
503 72 80-01	KOLV + CYL R-DEL	232 L/R	1
530 02 98-05	PISTON RING	235 R	1
737 44 10-00	SNAP RING		1



HANDLE & CONTROLS

235 R, 1995-11

Part No	Description	Remark	QTY KIT
502 19 58-03	HANDLE		1
502 19 60-01	HANDLEBAR		1
502 19 67-01	HANDLEBAR BRACKET LO		1
502 19 68-01	HANDLEBAR BRACKET UP		1
502 19 90-01	HANDLE HALF		1
502 19 91-01	HANDLE HALF		1
502 19 92-01	THROTTLE TRIGGER		1
502 19 93-01	RECOIL SPRING		1
502 19 94-01	THROTTLE LOCKOUT		1
502 19 97-01	HANDLE		1
502 20 38-01	KNOB		1
502 21 12-01	STAPLE		1
503 09 83-02	STOP SWITCH		1
503 21 07-22	SCREW IHSCT		1
503 21 07-38	SCREW IHSCT		1
725 23 81-51	SCREW EHHM		1



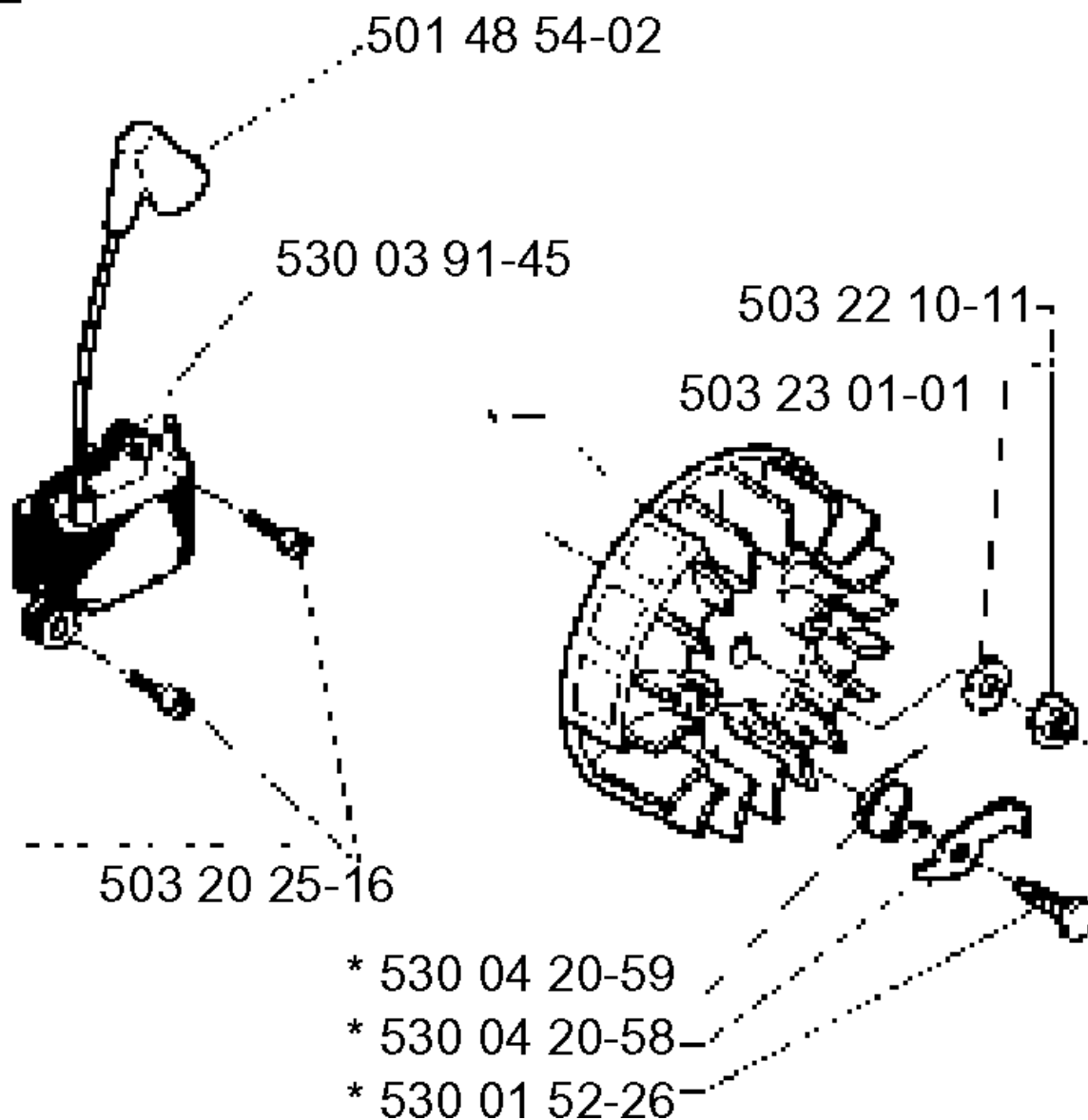
HANDLE & CONTROLS

235 R, 1995-11

Part No	Description	Remark	QTY KIT
502 18 98-01	THROTTLE WIRE		1
502 19 90-01	HANDLE HALF		1
502 19 91-01	HANDLE HALF		1
502 19 92-01	THROTTLE TRIGGER		1
502 19 93-01	RECOIL SPRING		1
502 19 94-01	THROTTLE LOCKOUT		1
502 20 69-01	WIRING		1
502 21 12-01	STAPLE		1
503 09 83-02	STOP SWITCH		1
503 21 07-22	SCREW IHSCT		1
503 21 07-38	SCREW IHSCT		1
503 21 07-45	SCREW IHSCT		1
503 72 10-01	HANDLE		1
503 72 11-01	HOLDER		1
503 72 12-01	HANDLE HALF		1
503 72 13-01	HANDLE HALF		1
503 72 14-01	THROTTLE LOCKOUT		1
503 72 15-01	THROTTLE TRIGGER		1
503 72 18-01	COVER		1
503 72 43-03	HANDLEBAR PART ASSY		1
503 73 42-01	THROTTLE WIRE ASSY		1
503 73 43-01	SHORT CIRCUIT CABLE		1
503 75 00-01	HANDLEBAR BRACKET		1
503 78 01-01	CONTROL		1
503 78 04-03	HANDLE LOOP		1
503 78 05-01	HANDLE		1
503 79 41-01	RECOIL SPRING		1

H

***compl 502 19 59-01**

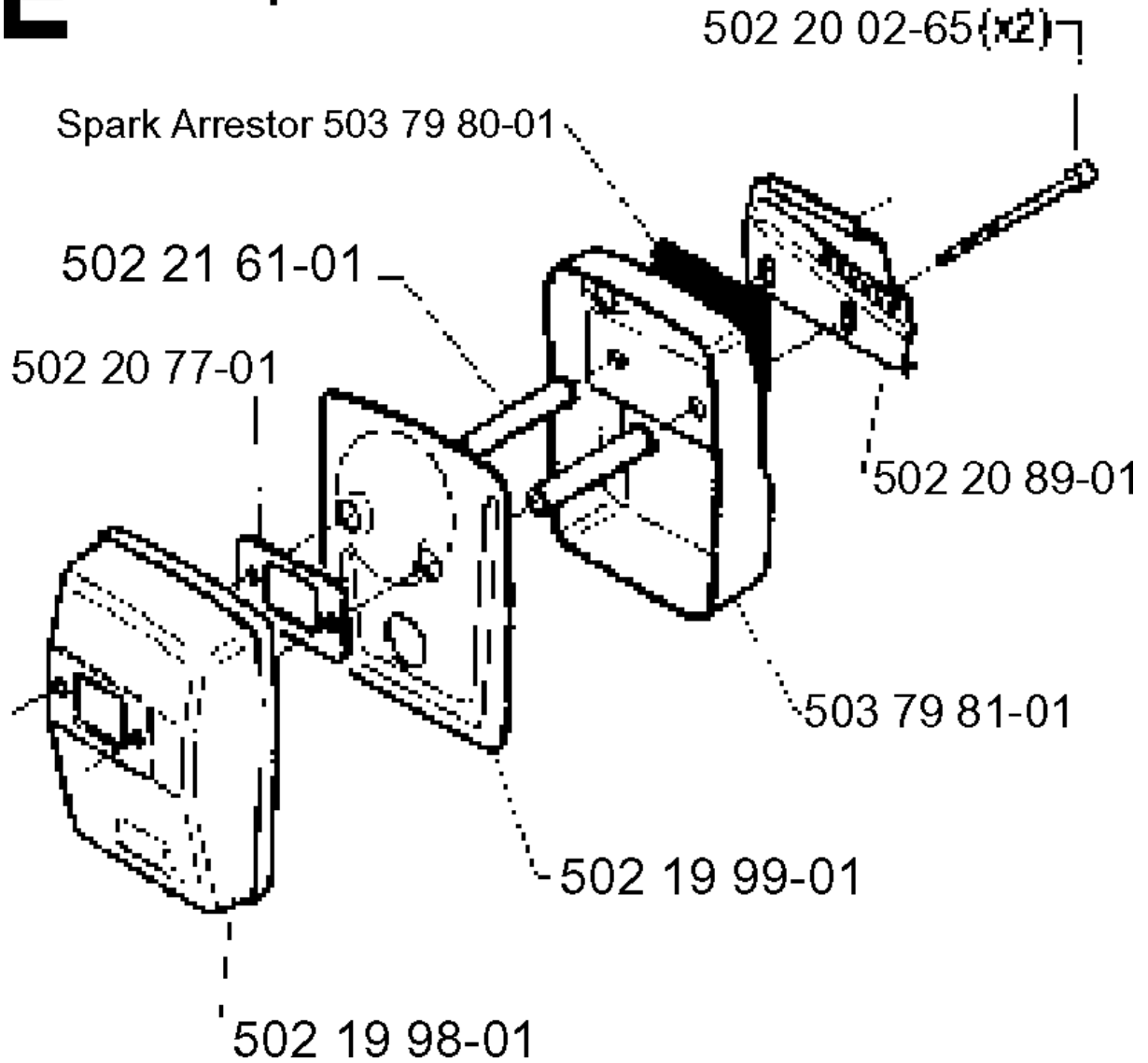


IGNITION SYSTEM

235 R, 1995-11

Part No	Description	Remark	QTY KIT
501 48 54-02	SPARK PLUG CAP		1
502 19 59-01	FLYWHEEL ASSY		1
503 20 25-16	SCREW IHSCM		1
503 22 10-11	HEXAGON NUT		1
503 23 01-01	WASHER		1
530 01 52-26	PEN		1
530 03 91-45	IGNITION MODULE		1
530 04 20-58	STARTER PAWL		1
530 04 20-59	SPRING		1

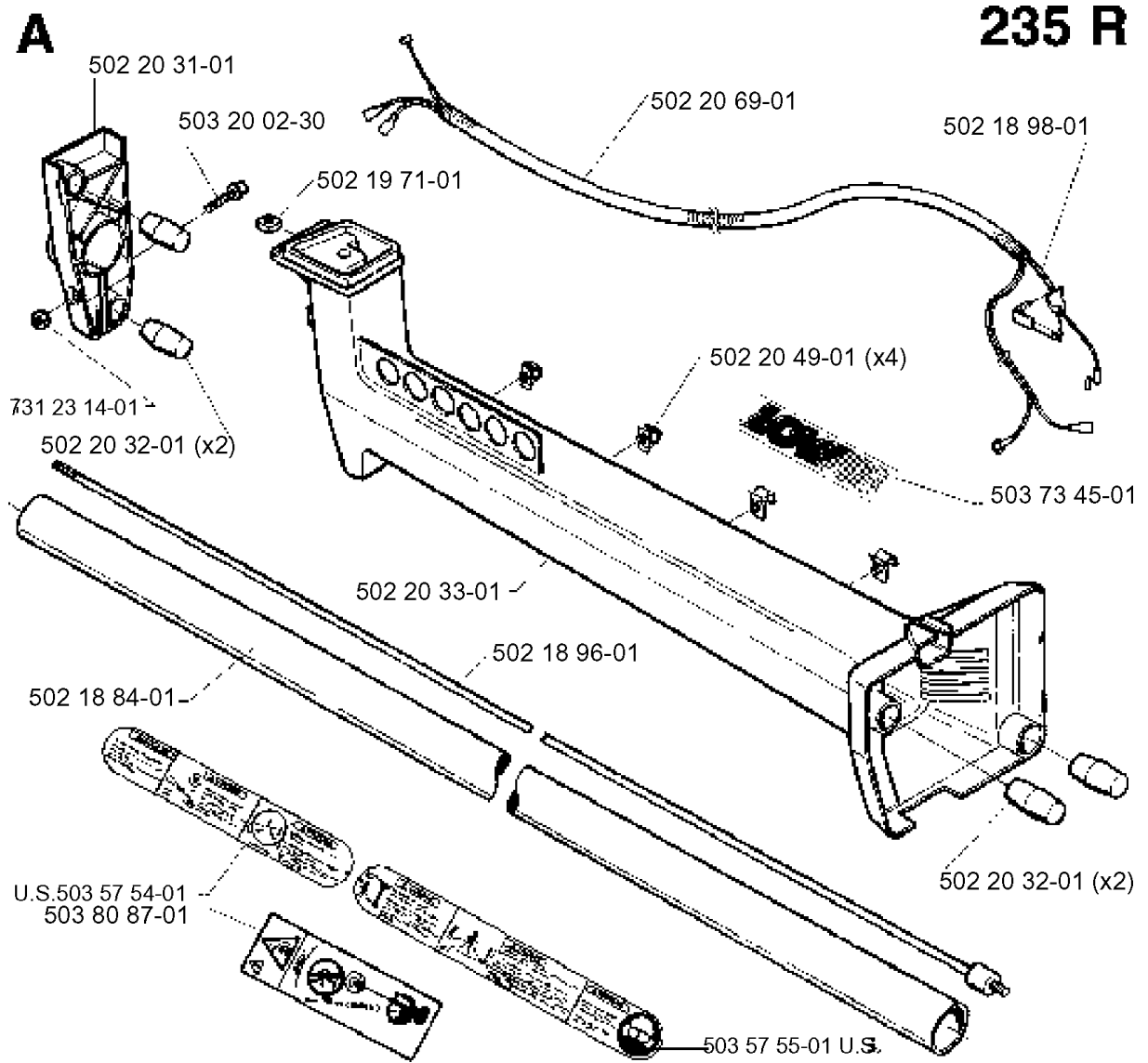
E Compl 502 19 61-03



MUFFLER

235 R, 1995-11

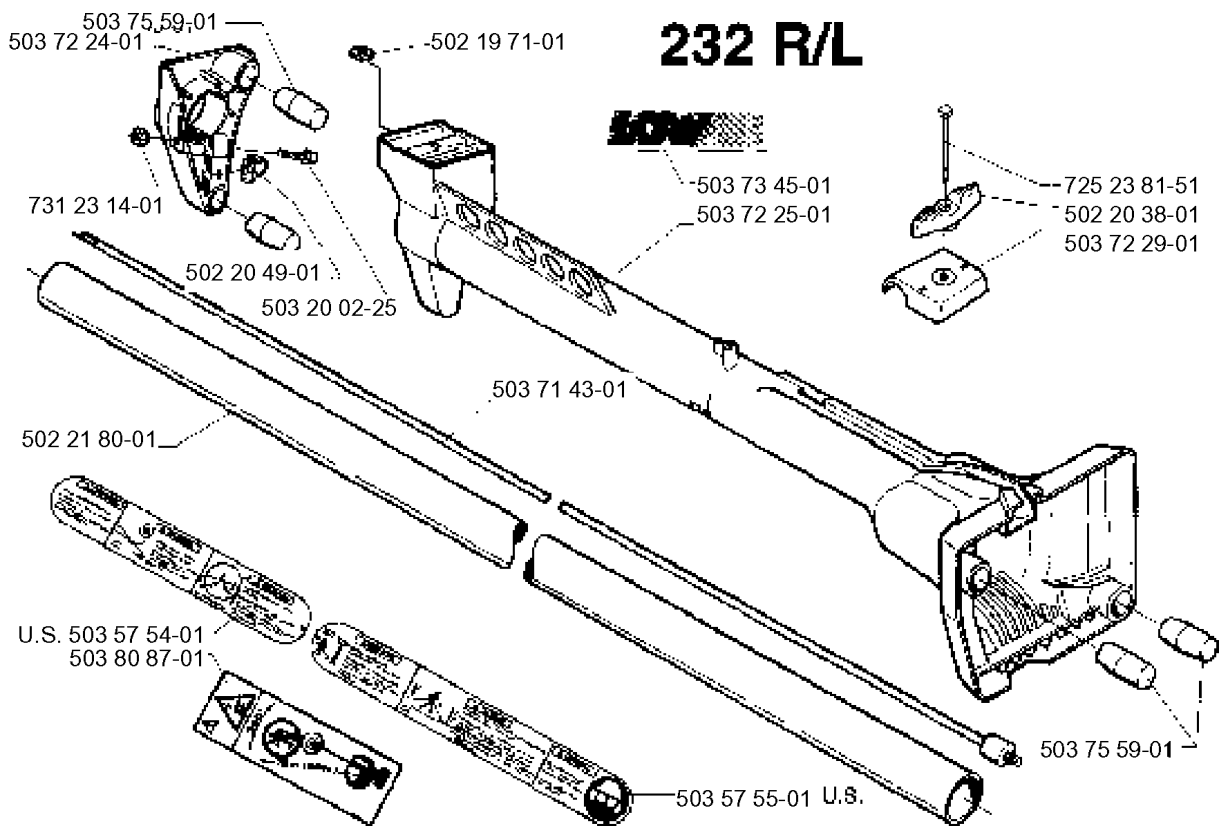
Part No	Description	Remark	QTY KIT
502 19 61-03	MUFFLER ASSY		1
502 19 98-01	MUFFLER REAR HALF		1
502 19 99-01	BAFFLE PLATE		1
502 20 02-65	SCREW		2
502 20 77-01	REINFORCEMENT		1
502 20 89-01	EXHAUST DUCT		1
502 21 61-01	SPACING TUBE		1
503 79 80-01	SPARK ARRESTER SCREEN	SPARK ARRESTOR	1
503 79 81-01	LJUDD.HALVA		1



SHAFT

235 R, 1995-11

Part No	Description	Remark	QTY KIT
502 18 84-01	TUBE ASSY		1
502 18 96-01	DRIVE SHAFT		1
502 18 98-01	THROTTLE WIRE		1
502 19 71-01	SQUARE NUT		1
502 20 31-01	HOLDER ANTIVIBRATION		1
502 20 32-01	ANTIVIBRATION ELEMENT		2
502 20 32-01	ANTIVIBRATION ELEMENT		2
502 20 33-01	SUSPENSION		1
502 20 49-01	CLIP		4
502 20 69-01	WIRING		1
503 20 02-30	SCREW IHSCFM		1
503 57 54-01	DECAL	U.S.	1
503 57 55-01	DECAL	U.S.	1
503 73 45-01	LABEL		1
503 80 87-01	LABEL		1
731 23 14-01	HEXAGON NUT		1



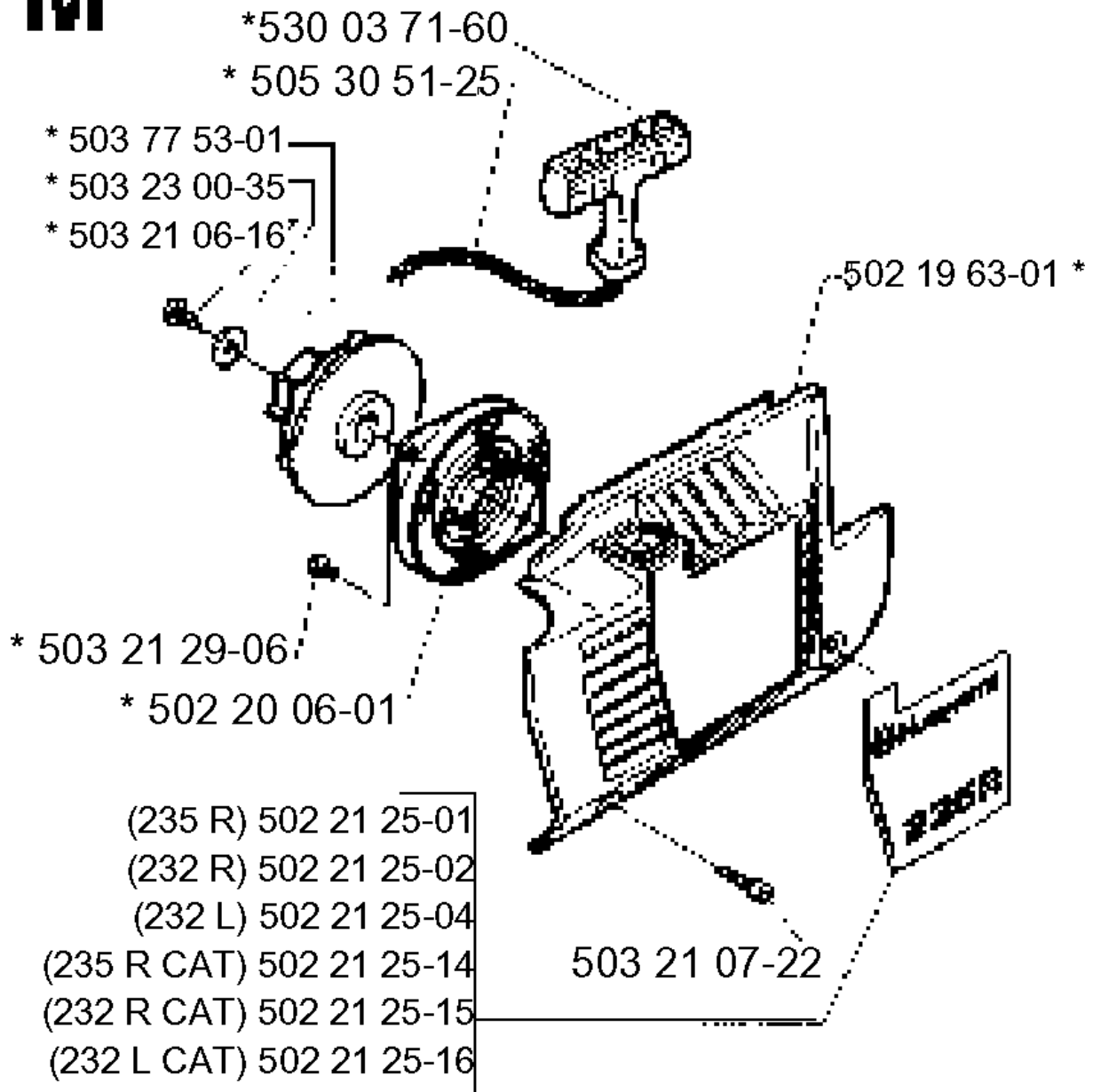
SHAFT

235 R, 1995-11

Part No	Description	Remark	QTY KIT
502 19 71-01	SQUARE NUT		1
502 20 38-01	KNOB		1
502 20 49-01	CLIP		1
502 21 80-01	TUBE DRIVESHAFT ASSY		1
503 20 02-25	SCREW IHSCFM		1
503 57 54-01	DECAL	U.S.	1
503 57 55-01	DECAL	U.S.	1
503 71 43-01	DRIVE SHAFT ASSY		1
503 72 24-01	HOLDER ANTIVIBRATION		1
503 72 25-01	SUSPENSION		1
503 72 29-01	COVER		1
503 73 45-01	LABEL		1
503 75 59-01	ANTIVIBRATION ELEMENT		1
503 75 59-01	ANTIVIBRATION ELEMENT		1
503 80 87-01	LABEL		1
725 23 81-51	SCREW EHHM		1
731 23 14-01	HEXAGON NUT		1



***compl 502 18 95-01**



STARTER

235 R, 1995-11

Part No	Description	Remark	QTY KIT
502 18 95-01	STARTER		1
502 19 63-01	STARTER HOUSING		1
502 20 06-01	SPRING CASSETTE ASSY		1
502 21 25-01	DECAL	235 R	1
502 21 25-02	LABEL	232 R	1
502 21 25-04	LABEL	232 L	1
502 21 25-14	LABEL	235 R CAT	1
502 21 25-15	LABEL	232 R CAT	1
502 21 25-16	LABEL	232 L CAT	1
503 21 06-16	SCREW IHSCT		1
503 21 07-22	SCREW IHSCT		1
503 21 29-06	SCREW CCRPANT		1
503 23 00-35	WASHER		1
503 77 53-01	STARTER PULLEY		1
505 30 51-25	STARTER CORD		1
530 03 71-60	STARTER HANDLE		1