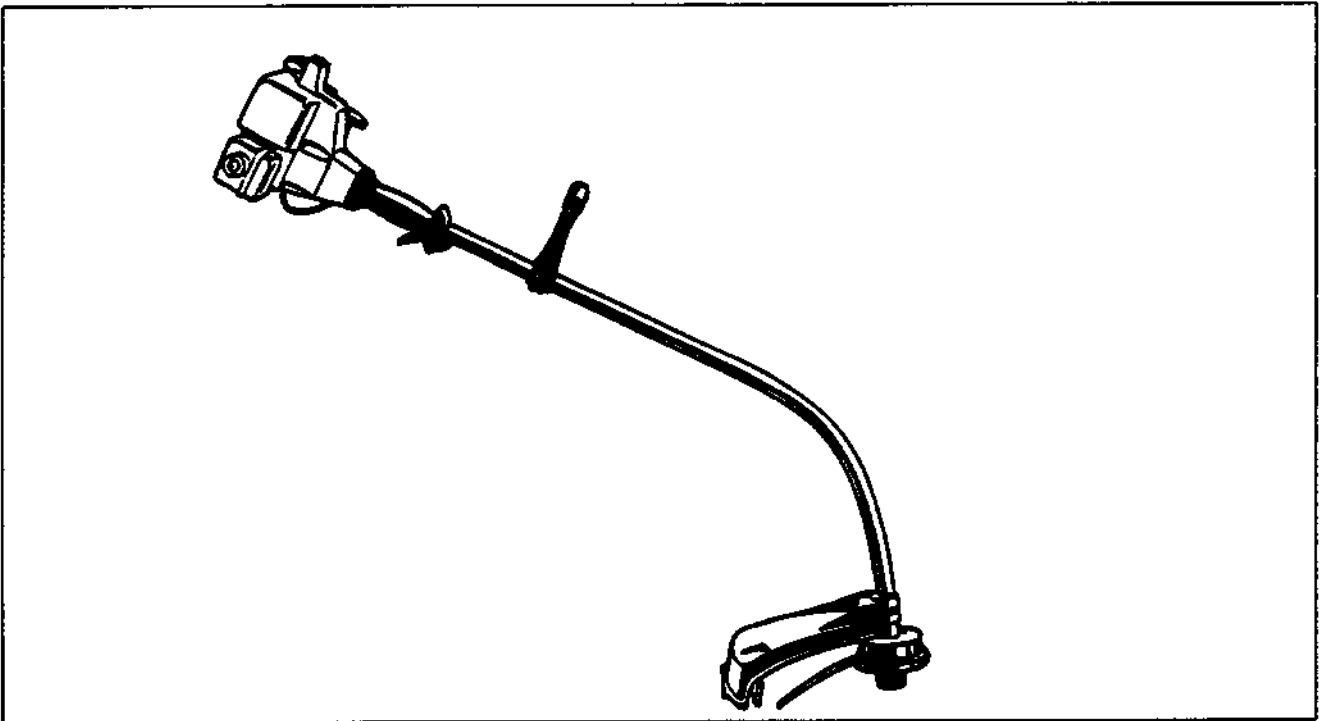


21LCN



1.1995

Spare parts

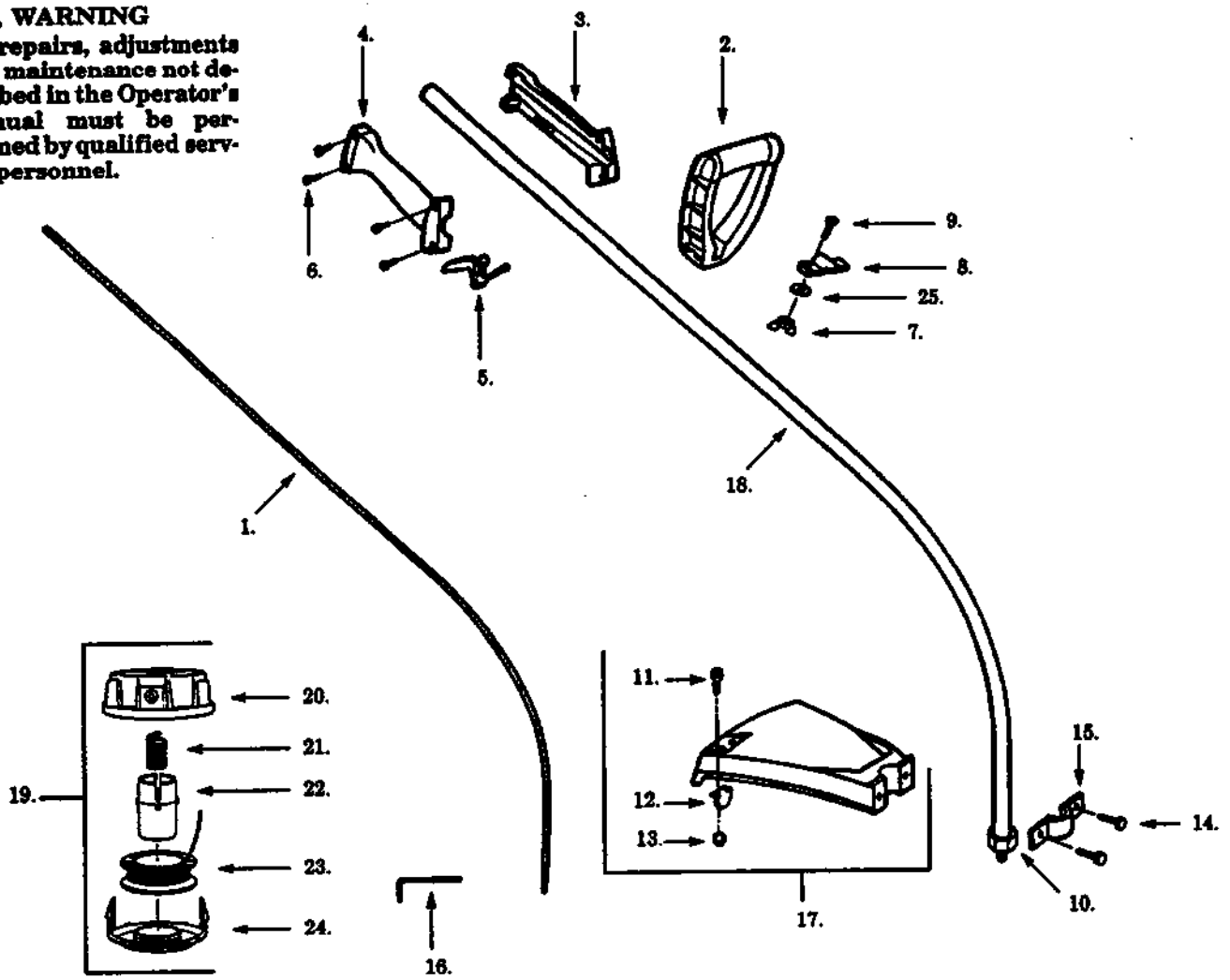
Pièces détachées

| Ref. | Part No. | Description | Ref. | Part No. | Description |
|-------------|-----------------|--------------------------------------|-------------|-----------------|---------------------|
| 1. | 530 09 46-71 | Drive Shaft - 45" | 20. | 530 09 48-75 | Hub Ass'y. |
| 2. | 530 09 46-73 | "D" Handle | 21. | 530 09 48-30 | Spring. |
| 3. | 530 03 65-14 | Throttle Hsg. (Left) | 22. | 530 09 48-27 | Release Button |
| 4. | 530 03 65-15 | Throttle Hsg. (Right) | 23. | 952 71 55-44 | Spool w/Line |
| 5. | 530 03 65-56 | Throttle Lever | 24. | 530 09 48-28 | Cover |
| 6. | 530 01 59-66 | Screw - Throttle Hsg. | 25. | 530 09 20-62 | Washer - Handle |
| 7. | 530 09 13-73 | Wing Nut - Handle | | | |
| 8. | 530 09 47-42 | Clamp - Handle | | | |
| 9. | 530 01 58-20 | Bolt - Handle | | | |
| 10. | 530 09 45-43 | Dust Cup | Not Shown | | |
| 11. | 530 01 53-37 | Screw - Line Limiter | | | |
| 12. | 530 09 45-70 | Line Limiter | | 530 04 70-65 | Carton Contents Bag |
| 13. | 534 79 05-00 | Locknut - Line Limiter | | 108 08 33-89 | Operator Manual |
| 14. | 530 01 61-07 | Screw - Shield | | 530 03 89-07 | Shaft Warning Decal |
| 15. | 530 02 93-73 | Shield Bracket | | 530 08 52-80 | Carton |
| 16. | 530 03 11-59 | Hex Wrench (5/32) | | | |
| 17. | 530 06 92-99 | Shield Kit Ass'y. | | | |
| 18. | 530 09 53-32 | Drive Shaft Hsg. | | | |
| 19. | 952 71 55-40 | Cutting Head Ass'y. (Incl. 20-24) | | | |

✓ = NEW PART NUMBER FOR THIS IPL

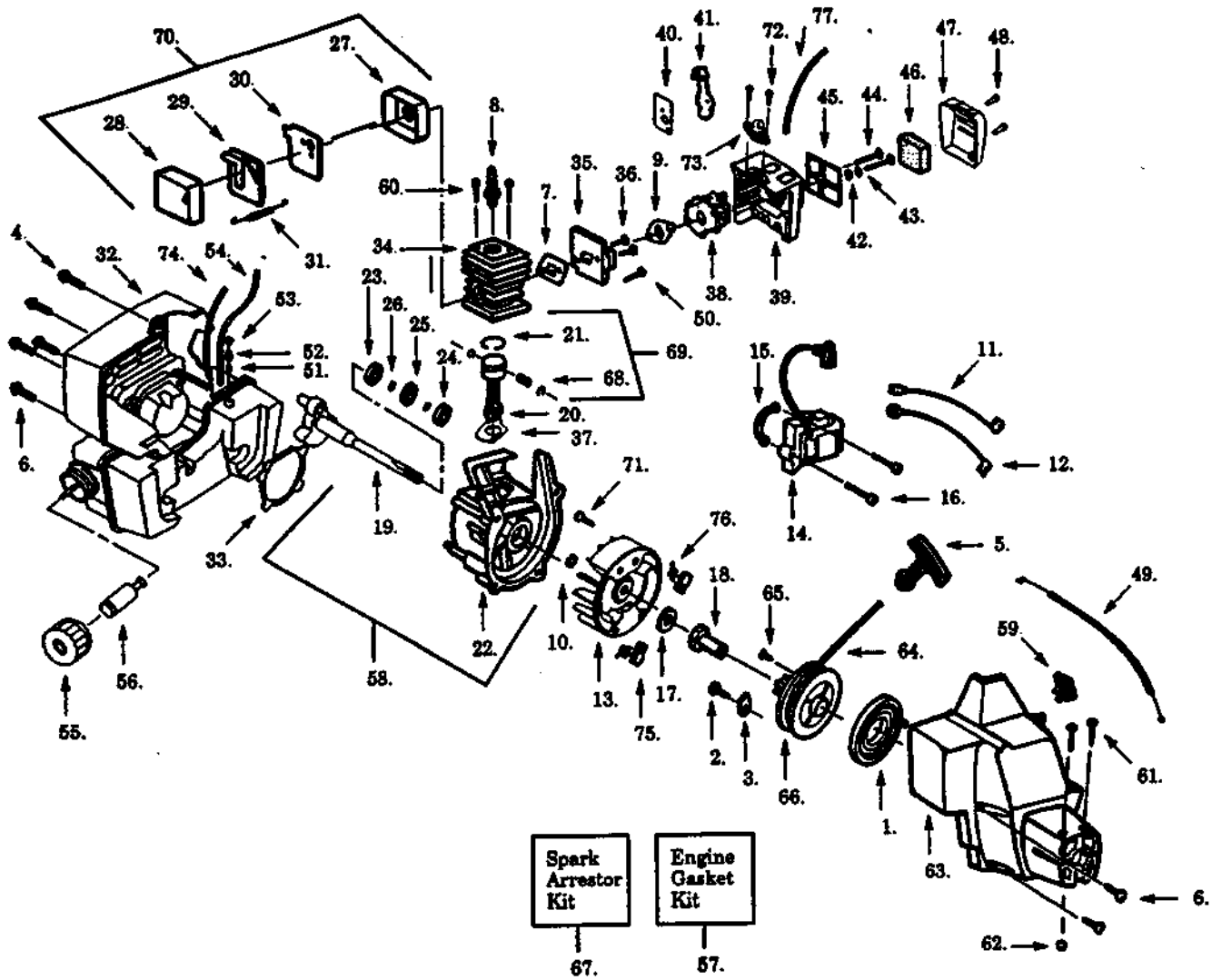
★ = REFER TO THE SERVICE REFERENCE INDICATED FOR MORE INFORMATION. (LOCATED AT END OF IPL)

⚠ WARNING
All repairs, adjustments and maintenance not described in the Operator's Manual must be performed by qualified service personnel.



| Ref. | Part No. | Description | Ref. | Part No. | Description | Ref. | Part No. | Description |
|------|--------------|-------------------------------------|------|--------------|-----------------------|------|--------------|------------------------|
| 1. | 530 02 93-95 | starter spring | 27. | 530 03 65-78 | Muffler Body | 54. | 530 06 95-71 | Fuel Line-Prim./Tnk |
| 2. | 530 01 57-75 | screw-pulley | 28. | 530 03 65-77 | Muffler Cover | 55. | 530 01 43-47 | Fuel Cap Ass'y. |
| 3. | 530 02 75-23 | Retainer-pulley | 29. | 530 03 86-02 | Muffler Baffle-Exit | 56. | 530 01 43-62 | Fuel Pickup Ass'y. |
| 4. | 530 01 59-34 | Screw-Shrd/Fan Hsg. | 30. | 530 03 65-79 | Muffler Baffle-First | 57. | 530 06 96-25 | Engine Gasket Kit |
| 5. | 530 02 75-69 | Starter Handle | 31. | 530 02 99-30 | Muffler Spring | | | († Indicates Content) |
| 6. | 530 01 58-10 | Screw-Fan Housing | 32. | 530 04 73-25 | Shroud & Tank AMY. | 58. | 530 01 47-29 | C'case & C'shaft Assy. |
| 7. | 530 01 91-85 | Gasket-Cylin./Carb. | 33. | 530 01 91-81 | Gasket-C'case | | | (Incl. 10,19,22-26) |
| 8. | 530 03 00-75 | Spark Plug-RCJ-8Y | 34. | 530 06 96-19 | Cylinder | 59. | 530 03 81-14 | Switch |
| 9. | 530 01 91-94 | Gasket-Carb. | 35. | 530 06 95-64 | Carb. Adaptor | 60. | 530 01 59-53 | Screw-Cylinder |
| 10. | 530 01 59-45 | Retainer-Crankcase | 36. | 530 01 60-14 | Straw-Carb. Adaptor | 61. | 530 01 60-72 | Screw-Pinch Clamp |
| 11. | 530 01 46-63 | Lead Wire | 37. | 530 01 92-23 | Gasket-Cylinder | 62. | 530 01 57-68 | Locknut-Pinch Clmp |
| 12. | 530 01 46-62 | Ground Wire | 38. | 530 06 96-47 | Carburetor | 63. | 530 06 96-75 | Fan Housing/Shroud |
| 13. | 530 03 91-48 | Flywheel | | | w/Limiter Cap | | | Ass'y. |
| 14. | 530 03 91-63 | Ignition Module | 39. | 530 03 89-44 | Air Box | 64. | 530 06 92-32 | Rope Kit |
| 15. | 530 03 61-45 | Spacer-Ignition Mod. | 40. | 530 03 73-26 | Choke Plate | 65. | 530 01 60-80 | Screw-Rope Retain. |
| 16. | 530 01 59-54 | Straw-Ignition Mod. | 41. | 530 03 81-02 | Choke Shutter | 66. | 530 06 64-00 | Starter Pulley Kit |
| 17. | 530 01 58-28 | Washer-Flywheel | 42. | 530 01 52-54 | Wave Washer | | | (Incl 65) |
| 18. | 530 02 79-53 | Drive coupling | 43. | 530 01 58-52 | Choke Spacer | 67. | 530 06 93-80 | Spark Arrestor Kit |
| 19. | 530 01 45-32 | Crankshaft Ass'y. | 44. | 530 01 58-87 | Screw-Carb. | 68. | 530 01 51-62 | Piston Pin Retainer |
| 20. | 530 06 96-15 | connecting Rod Ass'y | 45. | 530 03 74-13 | Filter Plate | 69. | 530 06 96-21 | Piston Kit |
| 21. | 530 03 64-04 | Piston Ring | 46. | 530 03 73-31 | Air Filter Foam | | | (Incl. 21, 68 & Pin) |
| 22. | 530 01 48-61 | Crankcase Ass'y. and. 10& 23-25) | 47. | 530 03 72-92 | Air Falter Cover | 70. | 530 06 96-60 | Muffler Kit |
| 23. | 530 03 21-25 | Inner Bearing | 48. | 530 01 59-66 | straw-Fdter cover | 71. | 530 01 58-82 | Screw-Flywheel |
| 24. | 530 03 21-24 | Outer Bearing | 49. | 530 03 67-44 | Throttle Cable Ass'y. | 72. | 530 01 60-90 | Screw-Primer Ass'y |
| 25. | 530 01 91-79 | C'case seal | 50. | 530 01 58-14 | Screw-Carb. Adaptor | 73. | 530 03 79-72 | Primer Bulb Ass'y. |
| 26. | 530 01 59-41 | Retain. Ring-C'shaft | 51. | 530 02 61-19 | Check Valve | 74. | 530 06 92-47 | Fuel Line-Carb./Tank |
| | | | 52. | 530 02 97-17 | Element-Falter | 75. | 530 02 99-39 | Starter Dog |
| | | | 53. | 530 02 96-96 | Retainer | 76. | 530 03 77-30 | Starter Dog Spring |
| | | | | | | 77. | 530 06 92-16 | Fuel Line-Carb./Prim |

✓ = NEW PART NUMBER FOR THIS IPL ★ = REFER TO THE SERVICE REFERENCE INDICATED FOR MORE INFORMATION. (LOCATED AT END OF IPL)



| Ref. | Part No. | Description |
|-------------|-----------------|---|
| 1. | 530 03 84-04 | Limiter Cap |
| 2. | 530 03 53-41 | Idle Needle |
| 3. | 530 03 53-42 | Spring Idle Needle |
| 4. | 530 06 96-68 | Carburetor Repair Kit (● Indicates Contents) |

Carburetor Assembly Kit Number #530 05 96-47 - WA - 218

