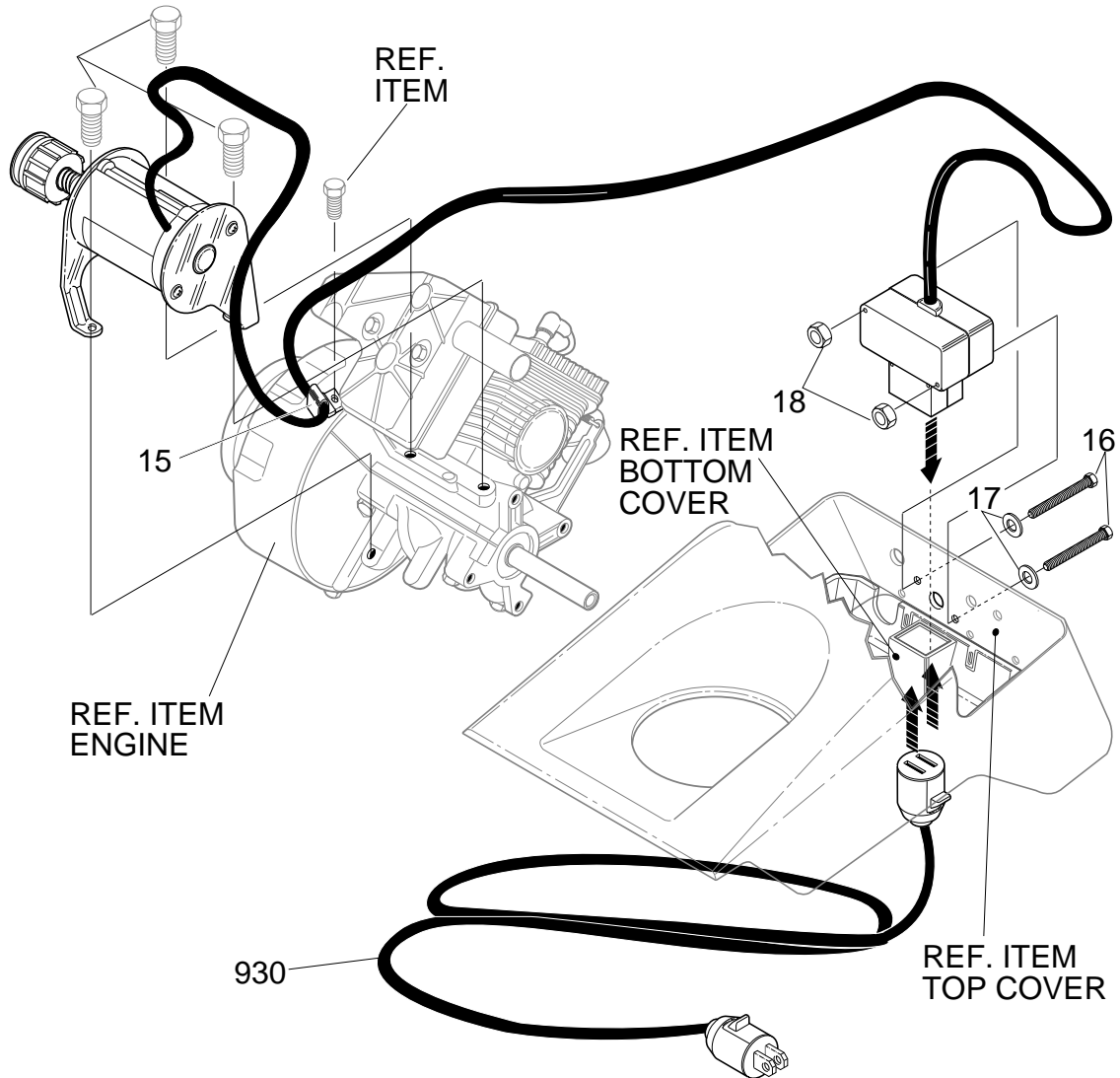


# 21" SNOW THROWER MODEL ST21E

## ELECTRIC START REPAIR PARTS

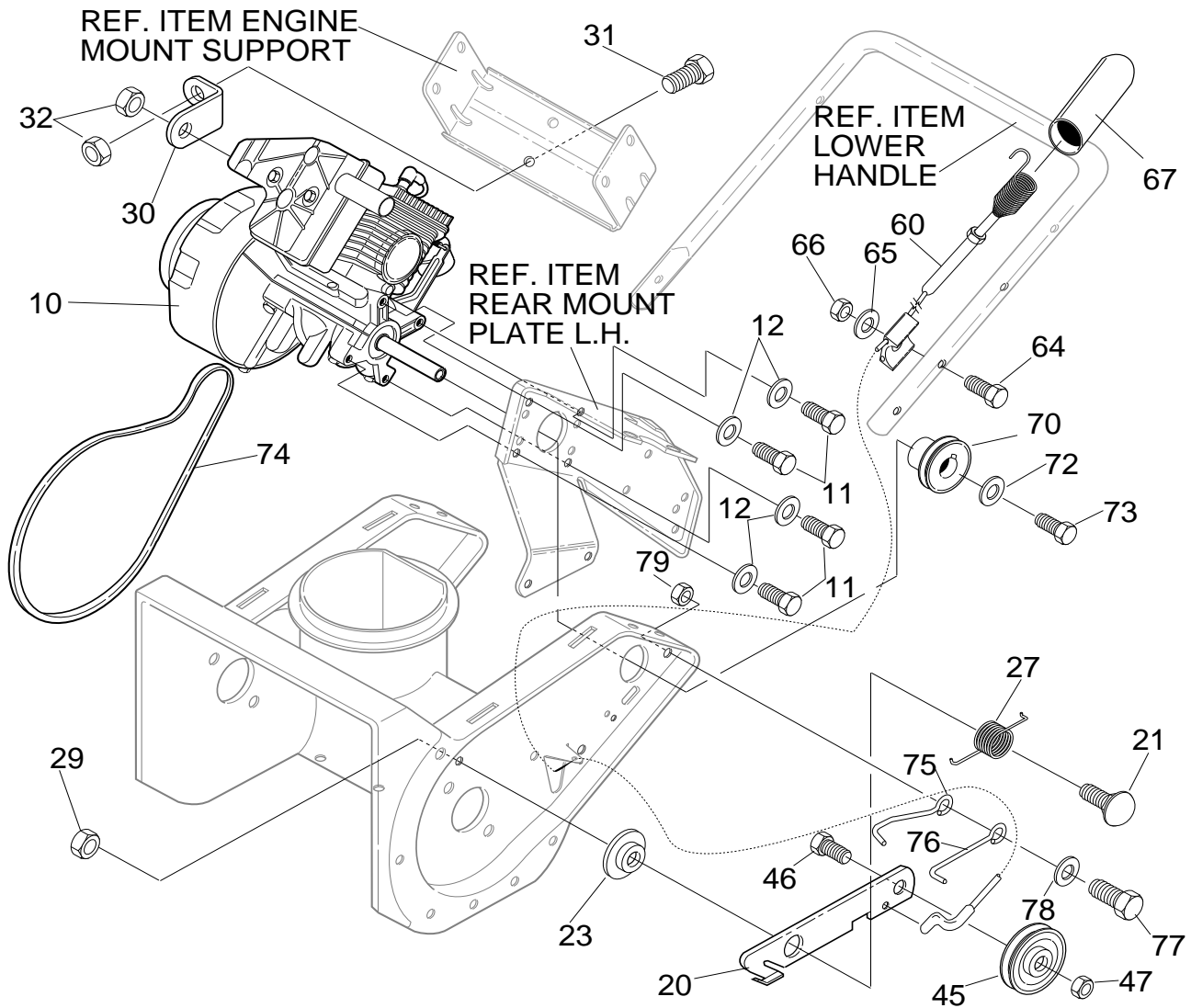


REF. NO.	PART NO.	PART NAME
15	601 00 06-31	RETAINER, WIRE .31IDX.62X.03
16	601 00 14-18	SCREW, #8-32 X 3.00 HHC
17	601 00 05-33	FLATWASHER .188X.38X.040
18	601 00 14-19	NUT, #8-32 HEXKEPS
930	601 00 14-20	CORD, EXTENSION 10 FEET

313974A

# 21" SNOWTHROWER MODEL ST21E

## MOTOR AND DRIVE REPAIR PARTS



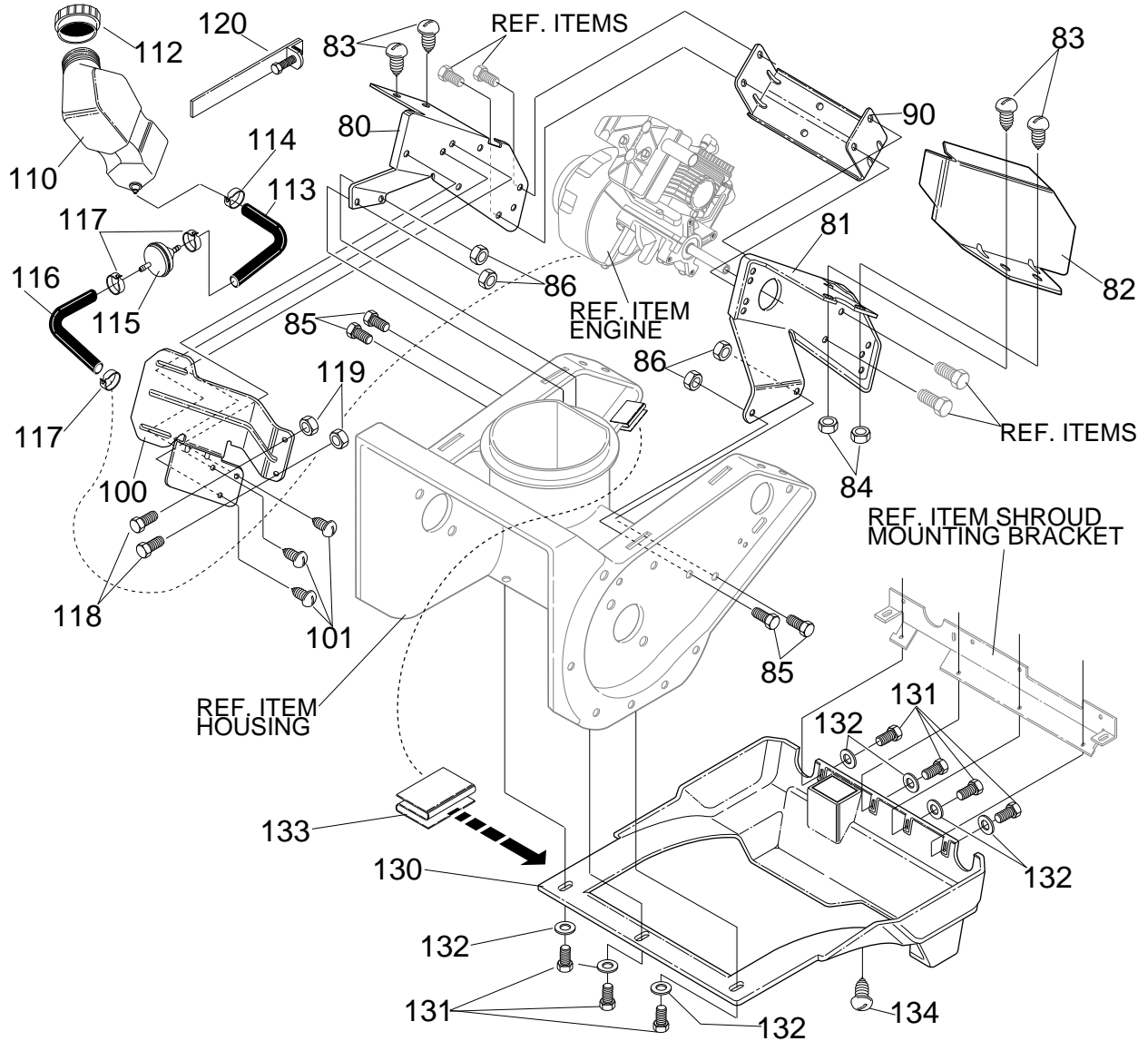
REF. NO.	PART NO.	PART NAME
10		ENGINE, 5HP 2CY (SEE ENGINE MANUAL)
11	601 00 00-78	SCREW, 5/16-18X .75 HHC
12	601 00 00-23	WASHER, HVSPTLK
20	601 00 17-34	BRKT, IDLER ARM
21	601 00 17-51	BOLT, IDLER ARM
23	601 00 17-52	SPACER, .38X1.25X.324
27	601 00 17-53	SPRING, TORSION, BRAKE
29	601 00 13-35	NUT, 3/8-16 HXCTRLKJAM
30	601 00 17-54	SUPPORT, ENGINE
31	601 00 16-40	SCREW, 5/16-18X .50 HHC
32	601 00 00-59	NUT, 5/16-18 REGHEXCTRLK
45	601 00 17-55	PULLEY, IDLER 1.88X.5X.38
46	601 00 17-56	BOLT, 3/8-16X1.25 SPCARR
47	601 00 13-35	NUT, 3/8-16 HXCTRLKJAM
60	601 00 17-57	CABLE, DRIVE CONTROL

REF. NO.	PART NO.	PART NAME
64	601 00 17-58	SCREW, 1/4-20X1.50 HHC
65	601 00 00-18	FLATWASHER .281X.63X.065
66	601 00 00-62	NUT, 1/4-20 REGHEXCTRLK
67	601 00 17-59	COVER, CABLE SPRING
70	601 00 17-60	PULLEY HALF, 3L 2.00
72	601 00 05-47	FLATWASHER .333X.87X.119
73	601 00 17-61	SCREW, 5/16-24X .88
74	601 00 17-62	BELT, V3L X 35, .048 D
75	601 00 17-63	GUIDE, BELT .38IDX2.66
76	601 00 17-64	GUIDE, BELT .38IDX3.30 OFF
77	601 00 17-65	SCREW, 3/8-16X1.00 HHC
78	601 00 00-20	FLATWASHER .406X.81X.065
79	601 00 00-60	NUT, 3/8-16 REGHXCTRLK
	601 00 17-66	OWNER'S MANUAL

320459B

# 21" SNOW THROWER MODEL ST21E

## FRAME COMPONENTS REPAIR PARTS

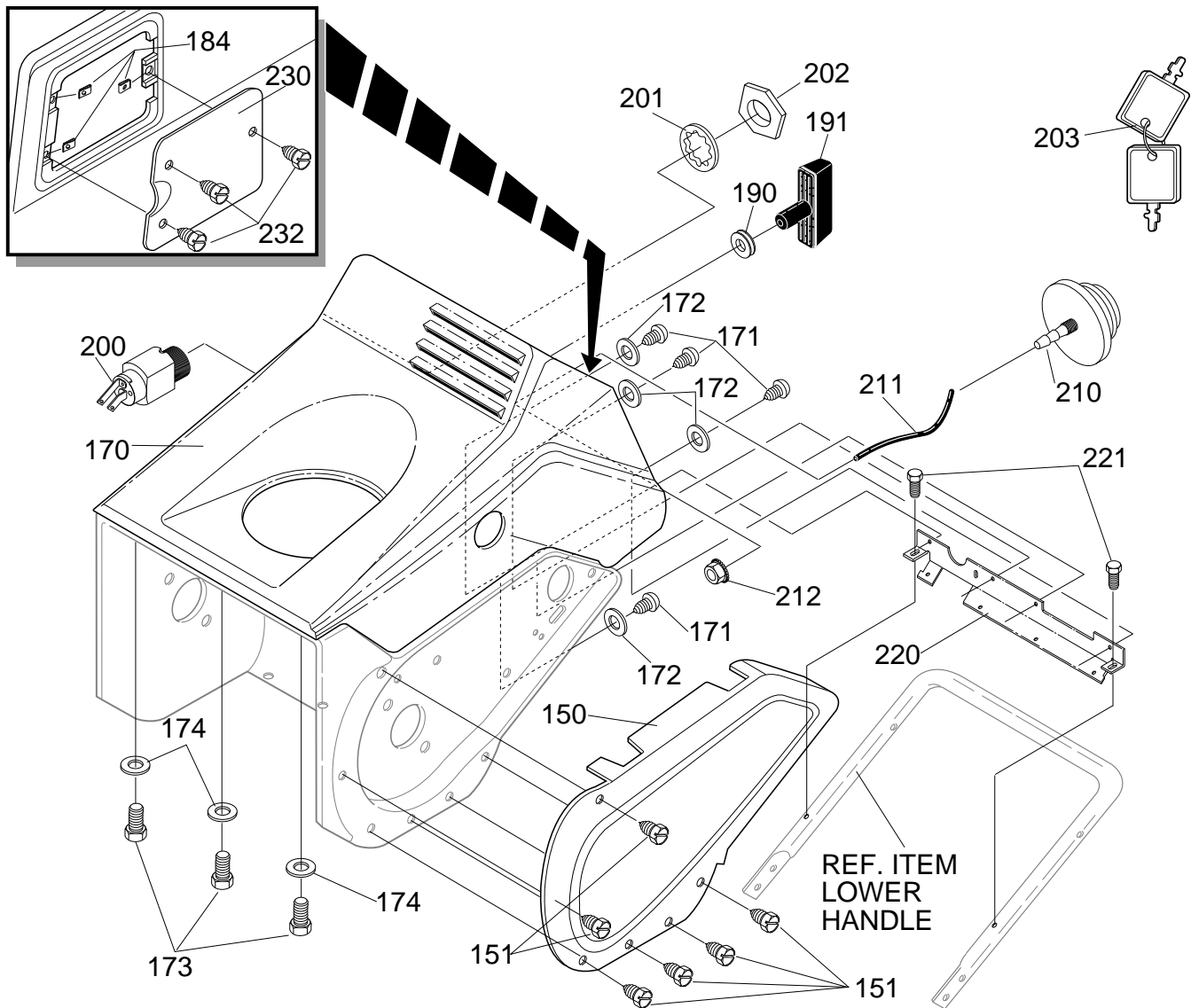


REF. NO.	PART NO.	PART NAME
80	601 00 17-67	PLATE, REAR MT. RH
81	601 00 17-68	PLATE, REAR MT. LH
82	601 00 17-69	SHIELD, ENGINE HEAT
83	601 00 17-70	SCREW, 1/4-20X .63
84	601 00 08-27	NUT, 1/4-20 WDFL
85	601 00 16-40	SCREW, 5/16-18X .50 HHC
86	601 00 00-59	NUT, 5/16-18 REGHEXCTRLK
90	601 00 17-71	SUPPORT, FRAME ENG. MNT
100	601 00 17-72	BRACKET, GAS TANK 2CY
101	601 00 17-73	SCREW, #10-24X .63
110	601 00 17-74	TANK, FUEL, 1.62 QT.
112	601 00 17-75	CAP, FUEL, W/2654 SEAL
113	601 00 17-76	TUBING, GAS LINE 8 IN.
114	601 00 05-54	CLAMP, HOSE SCREW TYPE
115	601 00 17-77	FILTER, IN-LINE

REF. NO.	PART NO.	PART NAME
116	601 00 17-78	TUBING, GAS LINE 3IN.
117	601 00 17-79	CLAMP, HOSE
118	601 00 13-66	SCREW, 10-24X .50
119	601 00 13-67	NUT, #10-24 REGHEXCTRLK
120	601 00 17-80	CLAMP, WORM DR
130	601 00 17-81	SHROUD, BOTTOM
131	601 00 17-82	SCREW, #10-24X .63
132	601 00 17-03	FLATWASHER .203X.56X.040
133	601 00 17-83	CLIP, "S" TINNEMAN
134	601 00 08-83	SCREW, 10-16X .50

# 21" SNOW THROWER MODEL ST21E

## BELT COVER REPAIR PARTS

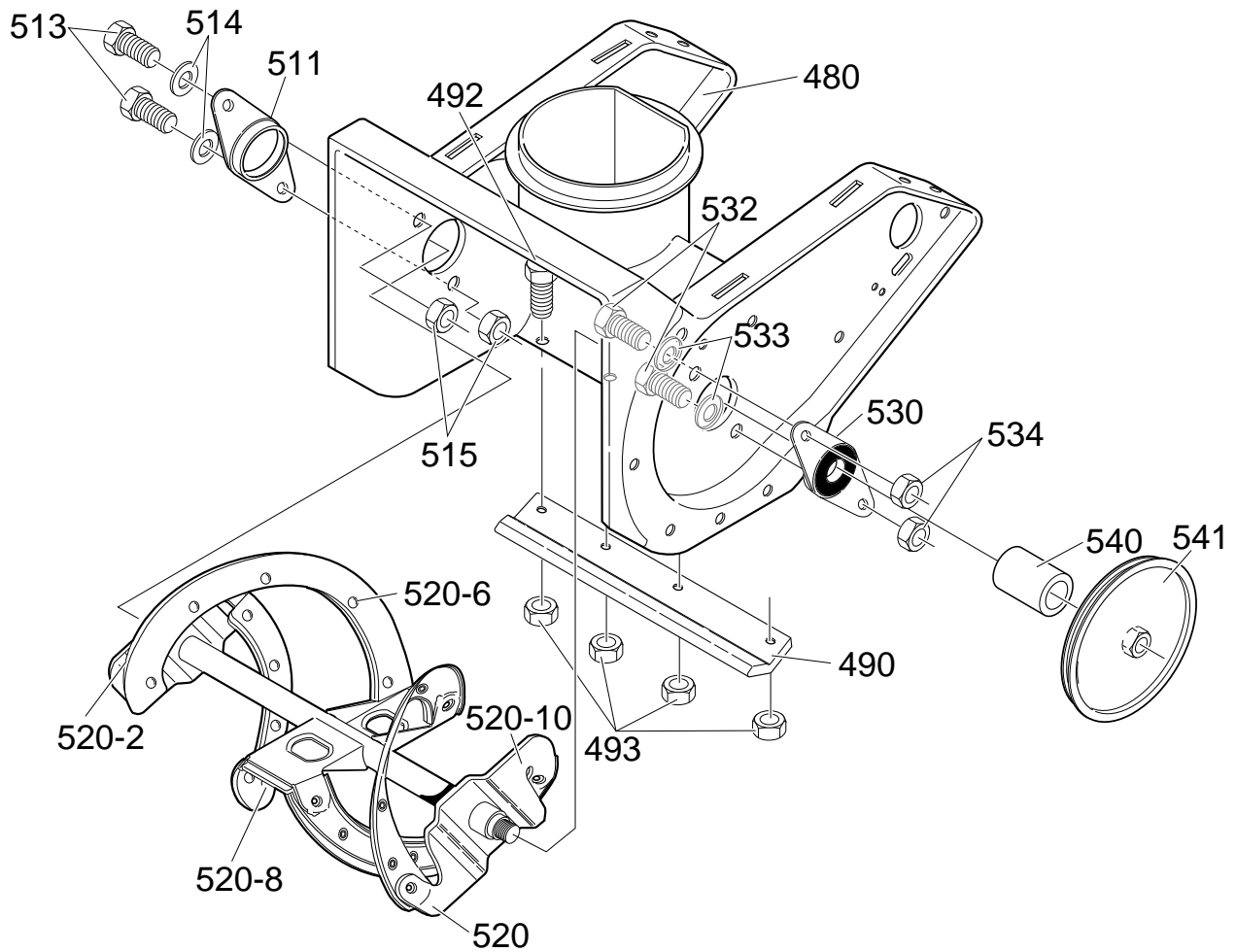


REF. NO.	PART NO.	PART NAME
150	601 00 17-84	COVER, BELT
151	601 00 05-14	SCREW, 10-24X.38
170	601 00 17-85	COVER, TOP
171	601 00 17-86	SCREW, #10-24X .63
172	601 00 17-03	WASHER, FLAT
173	601 00 17-87	SCREW, #10-14X.63
174	601 00 00-17	WASHER, FLAT
184	601 00 17-88	NUT, TINN "U"
190	601 00 13-55	GROMMET & WASHER, ROPE GUIDE
191	601 00 17-89	KNOB, PLASTIC
200	601 00 13-58	SWITCH, IGNITION

REF. NO.	PART NO.	PART NAME
201	601 00 13-59	WASHER, REGINTLK
202	601 00 13-60	NUT, 5/8-32 HXHD IGN SWIT
203	601 00 13-61	2 KEYS & RING, ASSY
210	601 00 13-62	PRIMER, ENGINE 2CY
211	601 00 13-63	HOSE, PRIM 5.75LG
212	601 00 17-90	NUT, 1/4-20 HEXKEPS
220	601 00 17-91	BRACKET, SHROUD MNTG
221	601 00 17-92	SCREW, #10-24X .63
		TRPH TAP
230	601 00 17 93	DOOR, ACCESS
232	601 00 17 94	SCREW #10-16X.75

# 21" SNOW THROWER MODEL ST21E

## AUGER HOUSING REPAIR PARTS



REF. NO.	PART NO.	PART NAME
480	601 00 17 95	HSNG, ASSY AUG 21"
490	601 00 17 96	BLADE, SCRAP 20.88 PLAST
492	601 00 17 97	SCREW, 1/4-20X .63 SLTRMA
493	601 00 08 27	NUT, 1/4-20 WDFL MAC-LOCK
511	601 00 13 79	BRNG, FL.670IDX1.25 ODX .88
513	601 00 13 80	SCREW, 1/4-20X .88 HHC
514	601 00 00 18	WASHER, FLAT .281X .63X.065
515	601 00 08 27	NUT, 1/4-20 WDFL MAC-LOCK
520	601 00 17 98	AUGER, ASSY COMP 2CY 21"
530	601 00 13 72	BRNG & PLATE, ASSY
532	601 00 00 68	SCREW, 1/4-20X .75 HHC
533	601 00 00 18	WASHER, FLAT .281X .63X.065
534	601 00 00 62	NUT, 1/4-20 REGHEXCTRLK

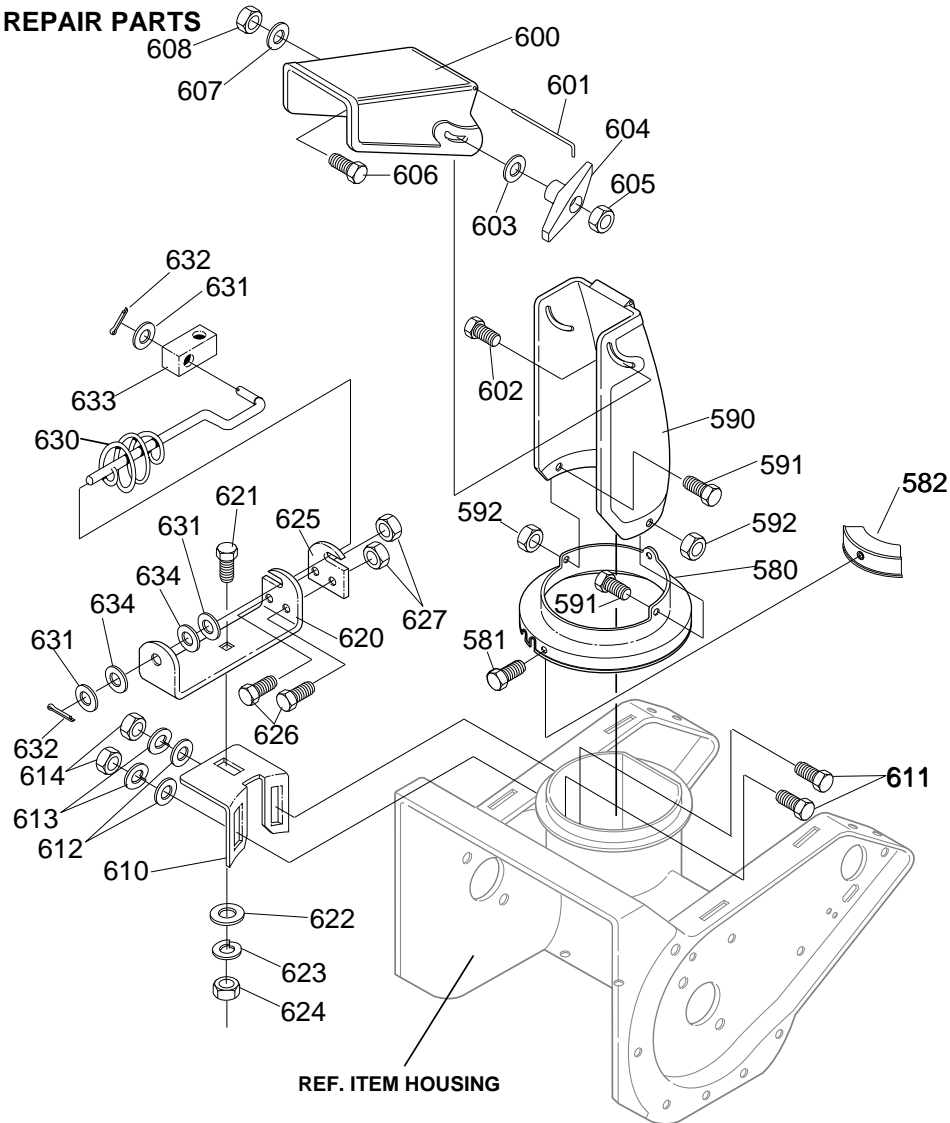
540 601 00 17 99 SPACER, SLEV .640X .88X14349B

.732

541 601 00 18 00 PULLEY, V3L 6.00X .75 20GA

# 21" SNOW THROWER MODEL ST21E

## DISCHARGE CHUTE REPAIR PARTS

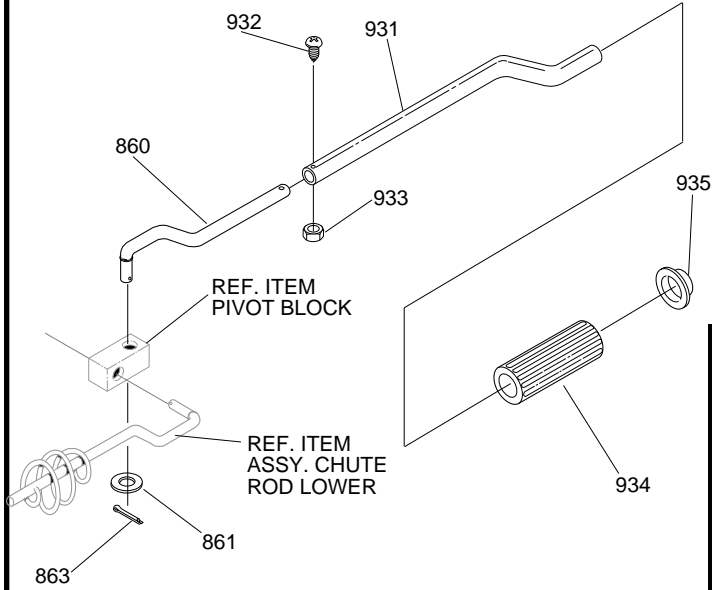


REF. NO.	PART NO.	PART NAME
580	601 00 18-01	RING, LOWER CHUTE
581	601 00 18-02	SCREW, 1/4-14X .63 HWATAP
582	601 00 18-03	CLIP, CHUTE RING PLASTIC
590	601 00 18-04	CHUTE, LWR SRS 8HP
591	601 00 00-66	SCREW, 1/4-20X .50 HHC
592	601 00 08-27	NUT, 1/4-20 WDFL MAC-LOCK
600	601 00 18-05	CHUTE, UPR SRS W/OHDLE
601	601 00 18-06	WIRE, HINGE 6.65LG SR
602	601 00 13-90	BOLT, 5/16-18X1.25 CARR
603	601 00 00-19	WASHER, FLAT .344X .69X.065
604	601 00 06-84	KNOB, T 2BLADE W/516/18 NUT
605	601 00 00-12	NUT, 5/16-18 REGHEX
606	601 00 13-91	SCREW, 5/16-18X.75 SLTRMA
607	601 00 00-19	WASHER, FLAT .344X .69X.065
608	601 00 00-59	NUT, 5/16-18 REGHEXCTRLK
610	601 00 18-07	BRACKET, WORM ADJUST
611	601 00 14-11	BOLT, 5/16-18X .75 CARR
612	601 00 00-19	WASHER, FLAT .344X .69X.065

REF. NO.	PART NO.	PART NAME
613	601 00 00-23	WASHER, HVSPTLK
614	601 00 00-12	NUT, 5/16-18 REGHEXCTRLK
620	601 00 18-08	BRACKET, CHUTE ROD HOLDER
621	601 00 14-11	BOLT, 5/16-18X .75 CARR
622	601 00 00-19	WASHER, FLAT .344X .69X.065
623	601 00 00-23	WASHER, HVSPTLK
624	601 00 00-12	NUT, 5/16-18 REGHEXCTRLK
625	601 00 18-09	PLATE, CHUTE ROD
626	601 00 00-66	SCREW, 1/4-20X .50 HHC
627	601 00 00-62	NUT, 1/4-20 REGHEXCTRLK
630	601 00 18-10	ROD, ASSY CHUTE LWR
631	601 00 18-51	WASHER, FLAT .40 X .75X.025
632	601 00 00-25	PIN, COTTER .090 DIA X .75LG
633	601 00 18-11	BLOCK, PIVOT PLASTIC
634	601 00 14-04	WASHER, CURVED SPRING

# 21" SNOW THROWER MODEL ST21E

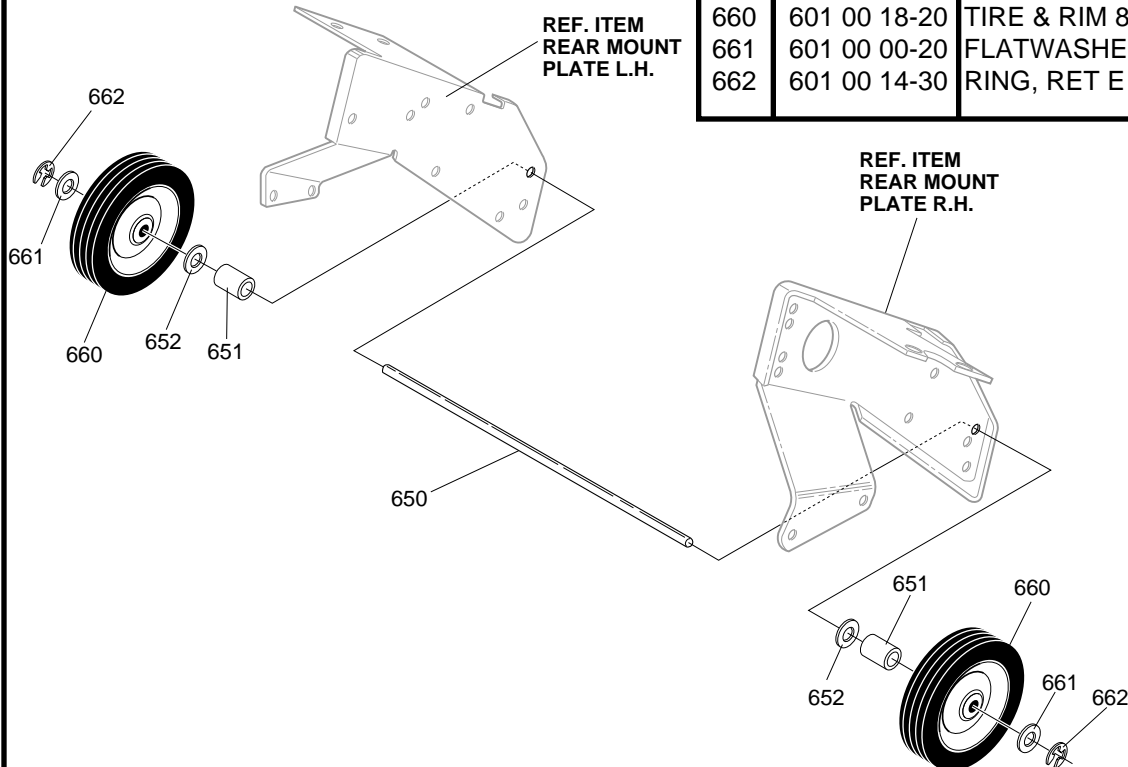
## CHUTE CONTROL ROD REPAIR PARTS



REF. NO.	PART NO.	PART NAME
860	601 00 18-12	ROD, MID CHUTE CTL
861	601 00 18-10	WASHER, FLAT .40 X .75X.025
863	601 00 00-25	PIN, COTTER .090 DIA X .75LG
931	601 00 18-13	ROD CHUTE CTRL UPR, ASSY
932	601 00 18-14	SCREW, 10-32X .88 SLTRHD
933	601 00 18-15	NUT, #10-32 CTRLK
934	601 00 18-16	KNOB, CHUTE CRANK
935	601 00 18-17	NUT, PUSH, FITS 3/8 DIA

313981B

## WHEEL ASSEMBLY REPAIR PARTS

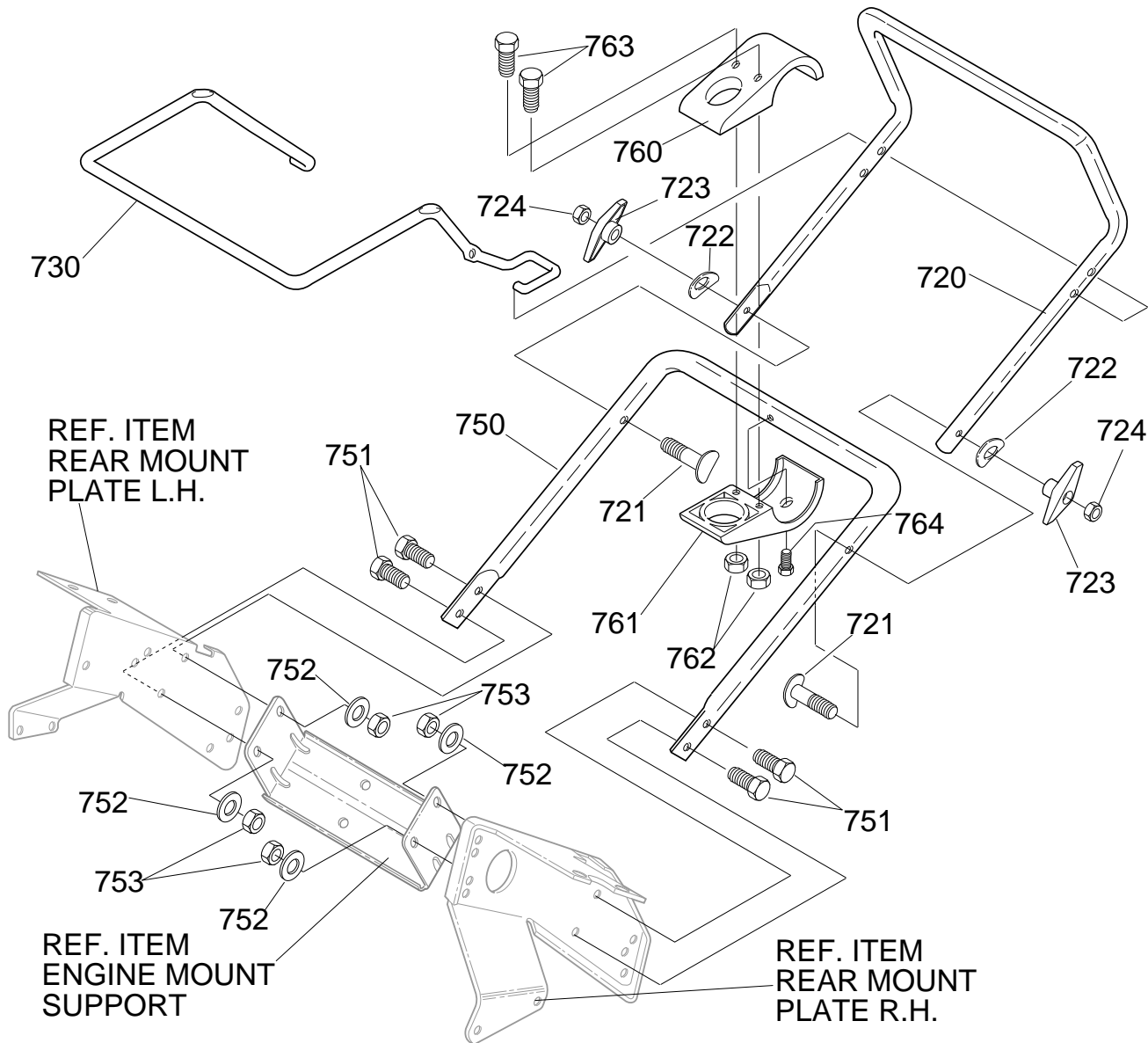


REF. NO.	PART NO.	PART NAME
650	601 00 18-18	SHAFT, AXLE 5/21 SC
651	601 00 18-19	SPACER, SLEV .407X .63X .440
652	601 00 00-20	FLATWASHER .406X.81X.065
660	601 00 18-20	TIRE & RIM 8X1.75
661	601 00 00-20	FLATWASHER .406X.81X.065
662	601 00 14-30	RING, RET E .30X.04

334817A

# 21" SNOW THROWER MODEL ST21E

## HANDLE REPAIR PARTS



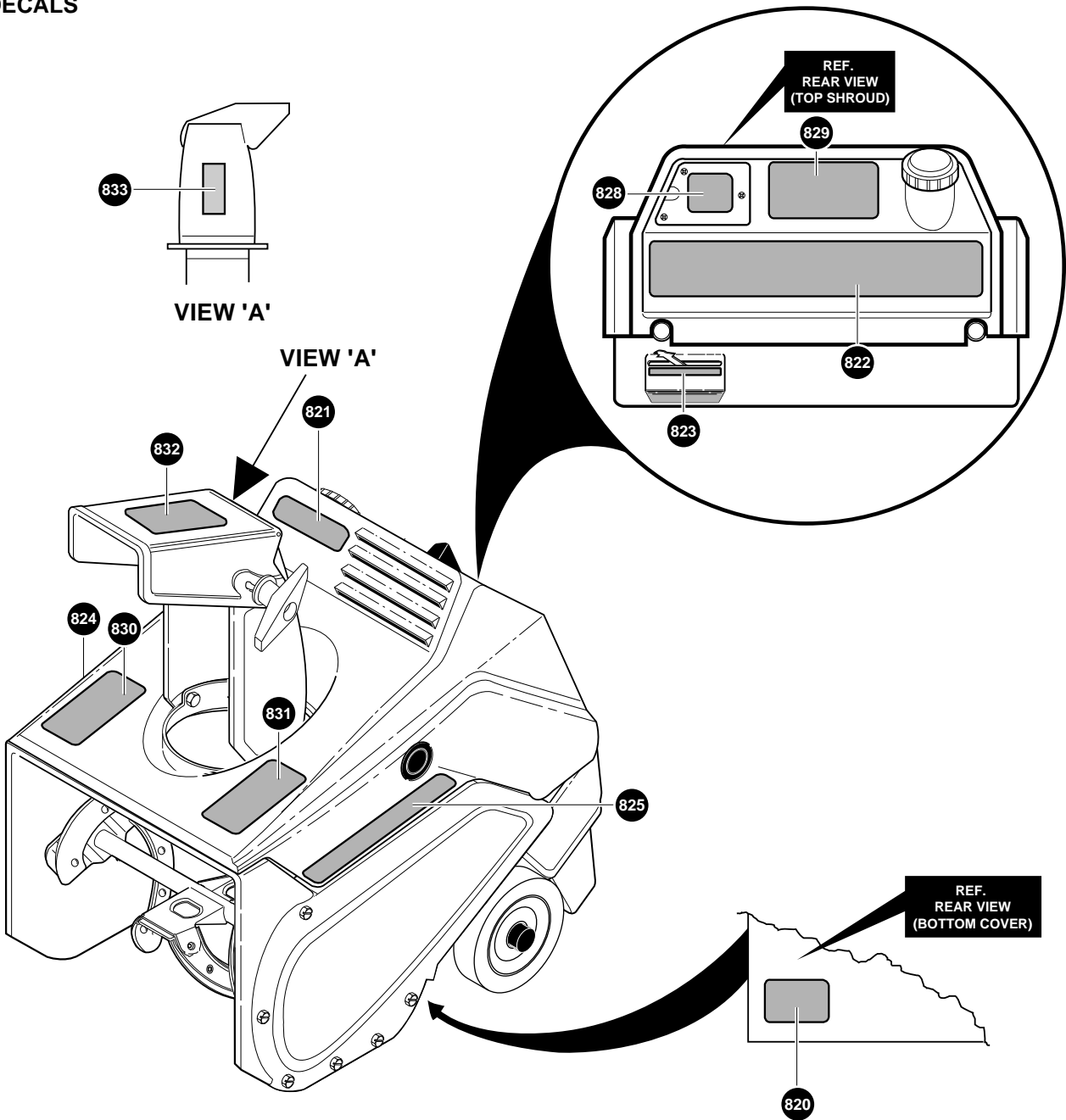
REF. NO.	PART NO.	PART NAME
720	601 00 18-71	HANDLE, UPR .88X18GA
721	601 00 14-00	BOLT, 5/16-18X1.75
722	601 00 14-01	WASHER, FORM .344 ID1.0 OD
723	601 00 06-84	KNOB, T 2BLADE W/NUT
724	601 00 00-12	NUT, 5/16-18 REGHEX
730	601 00 18-22	BAR, CONTROL DRIVE .31DIA
750	601 00 18-23	HANDLE, LWR

REF. NO.	PART NO.	PART NAME
751	601 00 00-73	SCREW, 5/16-18X .75 HHC
752	601 00 00-19	WASHER, FLAT
753	601 00 00-59	NUT, 5/16-18 REGHEXCTRLK
760	601 00 18-24	BRKT HALF, CHUTE CRANK
761	601 00 18-25	BRKT HALF, CHUTE CRANK
762	601 00 16-42	NUT, #10-24 HEXNYLK
763	601 00 18-26	SCREW, #10-24X1.00
764	601 00 14-45	SCREW, 1/4-20X .63



# 21" SNOW THROWER MODEL ST21E

## DECALS



REF. NO.	PART NO.	PART NAME
820	-	REFERENCE ONLY
821	601 00 18-27	DECAL, HUSQVARNA
822	601 00 18-28	DECAL, CONTROL PANEL
823	601 00 18-29	DECAL, OFF-CHOKE-ON
824	601 00 18-52	DECAL, RH SHROUD SIDE
825	601 00 18-53	DECAL, LH SHROUD SIDE
828	601 00 18-78	DECAL, FUEL MIX
829	601 00 18-79	DECAL, START INSTRUCTIONS
830	601 00 14-16	DECAL, DANGER CHUTE ENG/FR
831	601 00 14-17	DECAL, DANGER AUGER ENG/FR
832	601 00 18-80	DECAL, HUSQVARNA CROWN
833	601 00 18-81	DECAL, SAFETY INSTRUCTIONS

337295B