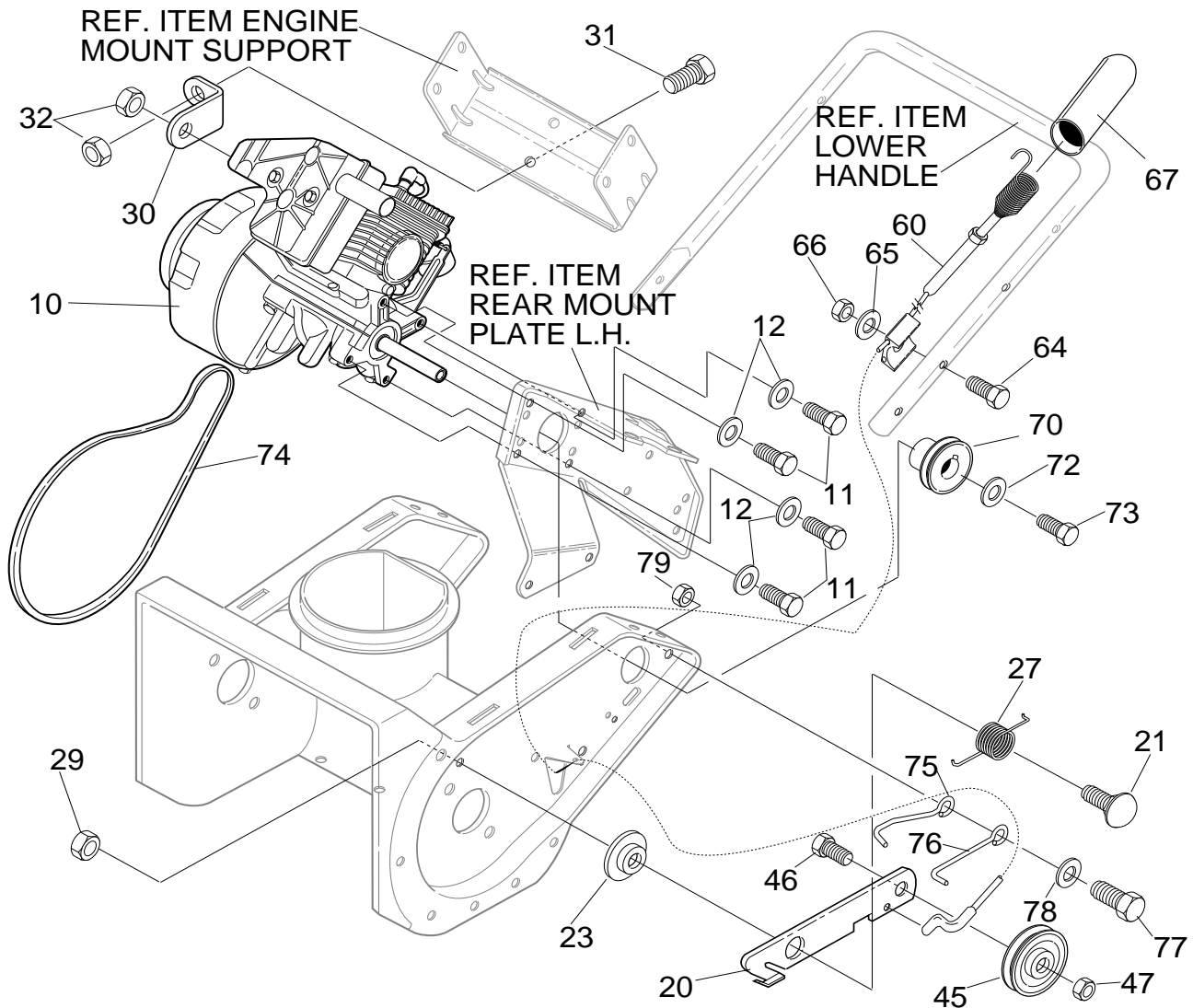


21" SNOWTHROWER MODEL ST21M

MOTOR AND DRIVE REPAIR PARTS



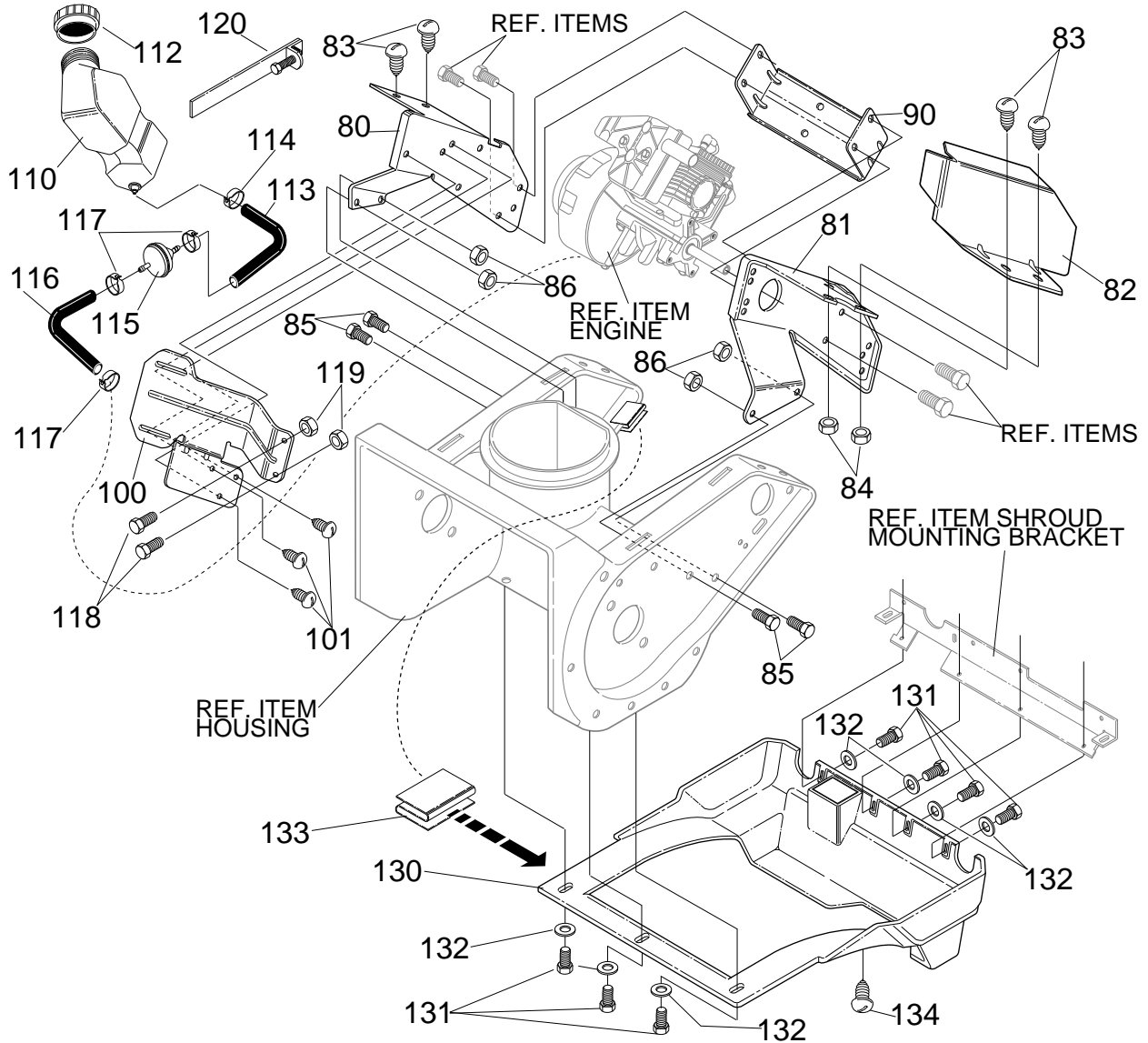
| REF. NO. | PART NO. | PART NAME |
|----------|--------------|--|
| 10 | | ENGINE, 5HP 2CY (SEE ENGINE MANUAL) |
| 11 | 601 00 00-78 | SCREW, 5/16-18X .75 HHC |
| 12 | 601 00 00-23 | WASHER, HVSPTLK |
| 20 | 601 00 17-34 | BRKT, IDLER ARM |
| 21 | 601 00 17-51 | BOLT, IDLER ARM |
| 23 | 601 00 17-52 | SPACER, .38X1.25X.324 |
| 27 | 601 00 17-53 | SPRING, TORSION, BRAKE |
| 29 | 601 00 13-35 | NUT, 3/8-16 HXCTRLKJAM |
| 30 | 601 00 17-54 | SUPPORT, ENGINE |
| 31 | 601 00 16-40 | SCREW, 5/16-18X .50 HHC |
| 32 | 601 00 00-59 | NUT, 5/16-18 REGHEXCTRLK |
| 45 | 601 00 17-55 | PULLEY, IDLER 1.88X.5X.38 |
| 46 | 601 00 17-56 | BOLT, 3/8-16X1.25 SPCARR |
| 47 | 601 00 13-35 | NUT, 3/8-16 HXCTRLKJAM |
| 60 | 601 00 17-57 | CABLE, DRIVE CONTROL |

| REF. NO. | PART NO. | PART NAME |
|----------|--------------|----------------------------|
| 64 | 601 00 17-58 | SCREW, 1/4-20X1.50 HHC |
| 65 | 601 00 00-18 | FLATWASHER .281X.63X.065 |
| 66 | 601 00 00-62 | NUT, 1/4-20 REGHEXCTRLK |
| 67 | 601 00 17-59 | COVER, CABLE SPRING |
| 70 | 601 00 17-60 | PULLEY HALF, 3L 2.00 |
| 72 | 601 00 05-47 | FLATWASHER .333X.87X.119 |
| 73 | 601 00 17-61 | SCREW, 5/16-24X .88 |
| 74 | 601 00 17-62 | BELT, V3L X 35, .048 D |
| 75 | 601 00 17-63 | GUIDE, BELT .38IDX2.66 |
| 76 | 601 00 17-64 | GUIDE, BELT .38IDX3.30 OFF |
| 77 | 601 00 17-65 | SCREW, 3/8-16X1.00 HHC |
| 78 | 601 00 00-20 | FLATWASHER .406X.81X.065 |
| 79 | 601 00 00-60 | NUT, 3/8-16 REGHXCTRLK |
| | 601 00 18-84 | OWNER'S MANUAL |

320459 B

21" SNOW THROWER MODEL ST21M

FRAME COMPONENTS REPAIR PARTS

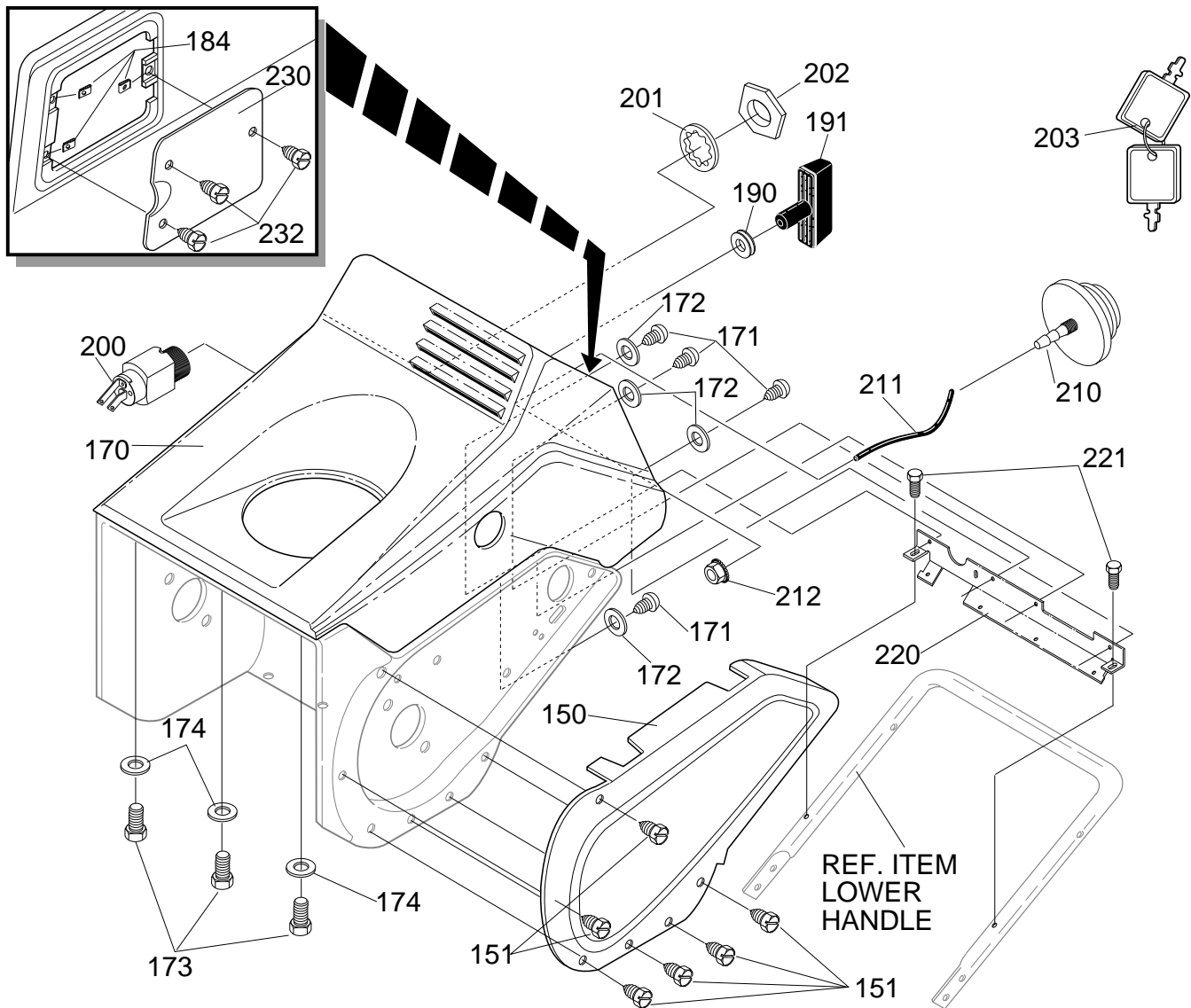


| REF. NO. | PART NO. | PART NAME |
|----------|--------------|--------------------------|
| 80 | 601 00 17-67 | PLATE, REAR MT. RH |
| 81 | 601 00 17-68 | PLATE, REAR MT. LH |
| 82 | 601 00 17-69 | SHIELD, ENGINE HEAT |
| 83 | 601 00 17-70 | SCREW, 1/4-20X .63 |
| 84 | 601 00 08-27 | NUT, 1/4-20 WDFL |
| 85 | 601 00 16-40 | SCREW, 5/16-18X .50 HHC |
| 86 | 601 00 00-59 | NUT, 5/16-18 REGHEXCTRLK |
| 90 | 601 00 17-71 | SUPPORT, FRAME ENG. MNT |
| 100 | 601 00 17-72 | BRACKET, GAS TANK 2CY |
| 101 | 601 00 17-73 | SCREW, #10-24X .63 |
| 110 | 601 00 17-74 | TANK, FUEL, 1.62 QT. |
| 112 | 601 00 17-75 | CAP, FUEL, W/2654 SEAL |
| 113 | 601 00 17-76 | TUBING, GAS LINE 8 IN. |
| 114 | 601 00 05-54 | CLAMP, HOSE SCREW TYPE |
| 115 | 601 00 17-77 | FILTER, IN-LINE |

| REF. NO. | PART NO. | PART NAME |
|----------|--------------|--------------------------|
| 116 | 601 00 17-78 | TUBING, GAS LINE 3IN. |
| 117 | 601 00 17-79 | CLAMP, HOSE |
| 118 | 601 00 13-66 | SCREW, 10-24X .50 |
| 119 | 601 00 13-67 | NUT, #10-24 REGHEXCTRLK |
| 120 | 601 00 17-80 | CLAMP, WORM DR |
| 130 | 601 00 17-81 | SHROUD, BOTTOM |
| 131 | 601 00 17-82 | SCREW, #10-24X .63 |
| 132 | 601 00 17-03 | FLATWASHER .203X.56X.040 |
| 133 | 601 00 17-83 | CLIP, "S" TINNEMAN |
| 134 | 601 00 08-83 | SCREW, 10-16X .50 |

21" SNOW THROWER MODEL ST21M

BELT COVER REPAIR PARTS

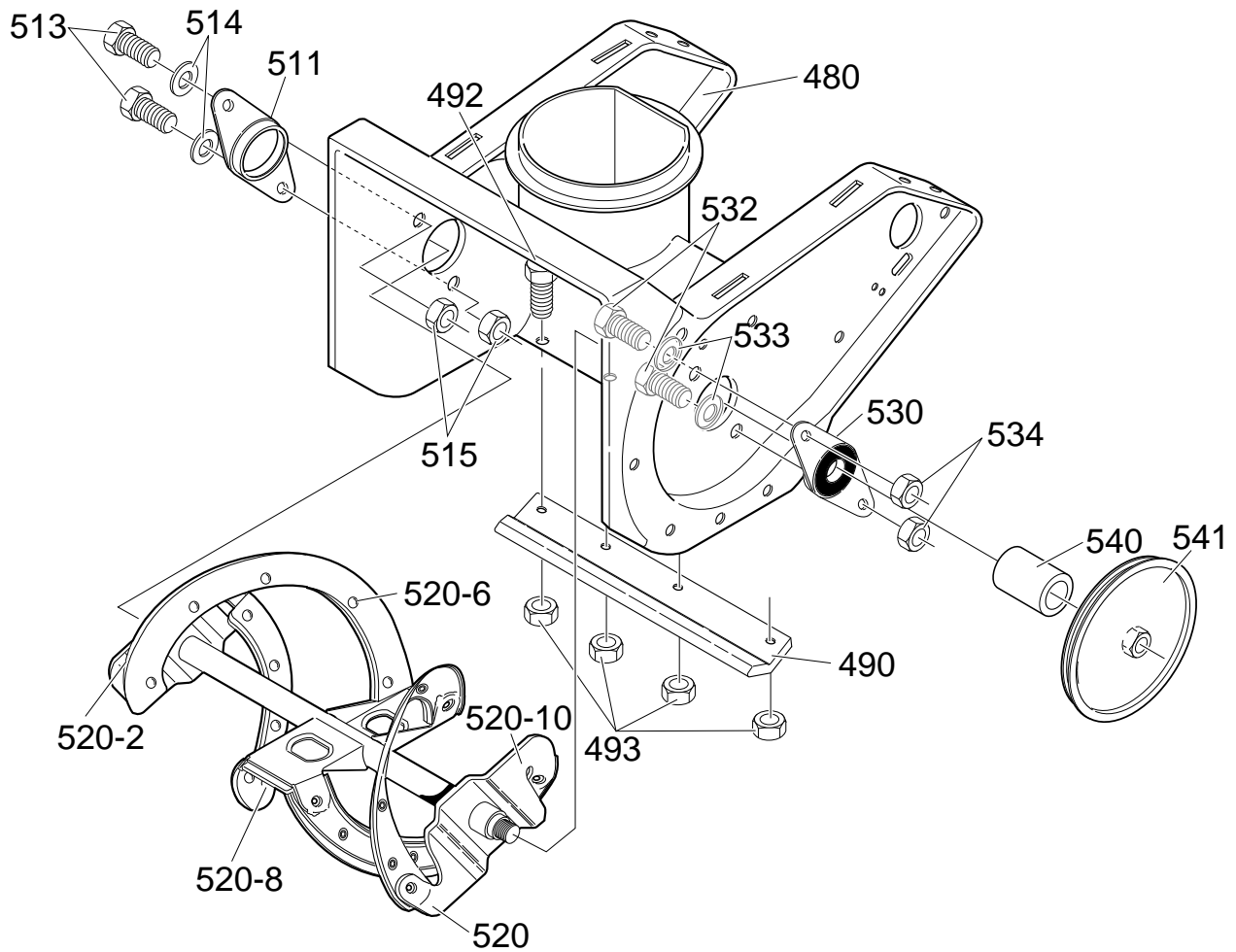


| REF. NO. | PART NO. | PART NAME |
|----------|--------------|---------------------------------|
| 150 | 601 00 17-84 | COVER, BELT |
| 151 | 601 00 05-14 | SCREW, 10-24X.38 SLHWATAP |
| 170 | 601 00 17-85 | COVER, TOP |
| 171 | 601 00 17-86 | SCREW, #10-24X .63 TRPHTAP |
| 172 | 601 00 17-03 | WASHER, FLAT |
| 173 | 601 00 17-87 | SCREW, #10-14X.63 |
| 174 | 601 00 00-17 | WASHER, FLAT |
| 184 | 601 00 17-88 | NUT, TINN "U" |
| 190 | 601 00 13-55 | GROMMET & WASHER, ROPE GUIDE |
| 191 | 601 00 17-89 | KNOB, PLASTIC |

| REF. NO. | PART NO. | PART NAME |
|----------|--------------|----------------------------|
| 200 | 601 00 13-58 | SWITCH, IGNITION |
| 201 | 601 00 13-59 | WASHER, REGINTLK |
| 202 | 601 00 13-60 | NUT, 5/8-32 HXHD IGN SWIT |
| 203 | 601 00 13-61 | 2 KEYS & RING, ASSY |
| 210 | 601 00 13-62 | PRIMER, ENGINE 2CY |
| 211 | 601 00 13-63 | HOSE, PRIM 5.75LG |
| 212 | 601 00 17-90 | NUT, 1/4-20 HEXKEPS |
| 220 | 601 00 17-91 | BRACKET, SHROUD MNTG |
| 221 | 601 00 17-92 | SCREW, #10-24X .63 TRPHTAP |
| 230 | 601 00 17-93 | DOOR, ACCESS |
| 232 | 601 00 17-94 | SCREW #10-16X.75 |

21" SNOW THROWER MODEL ST21M

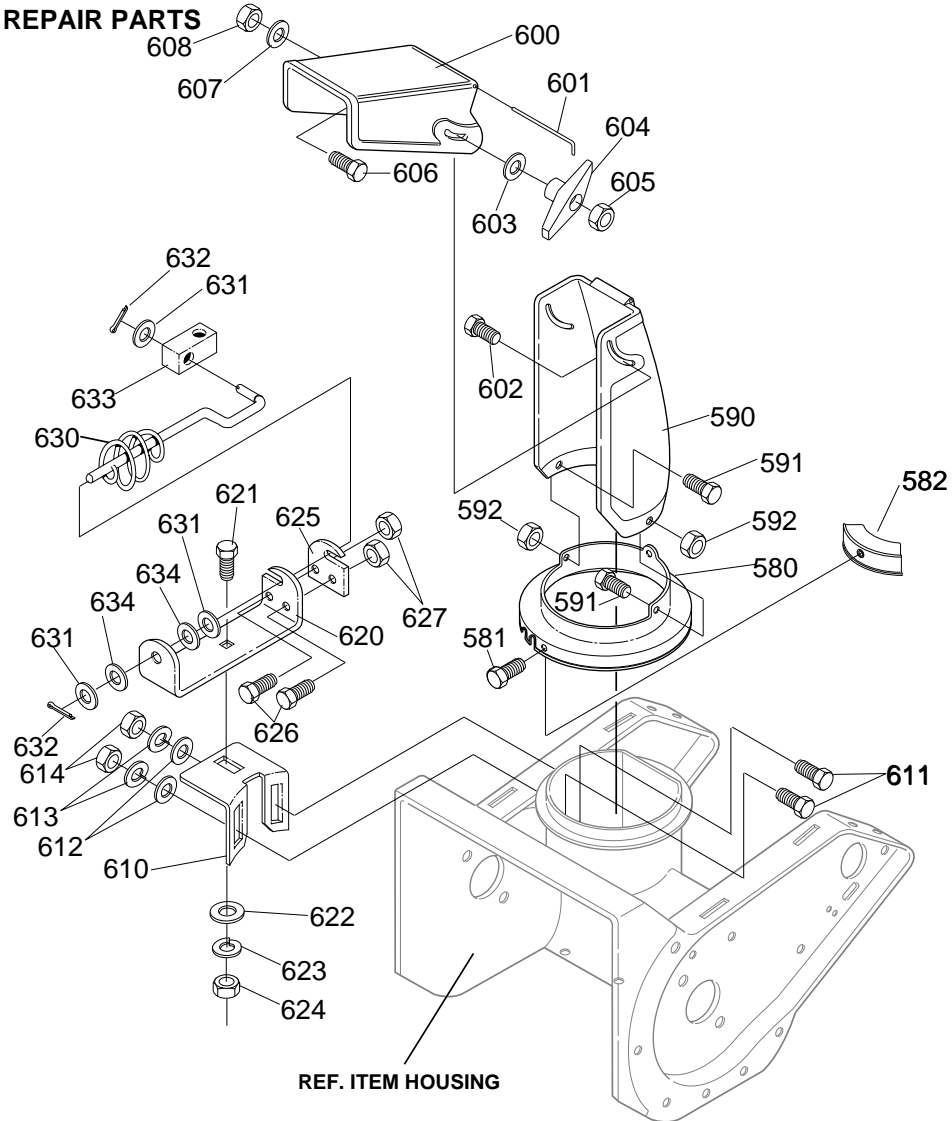
AUGER HOUSING REPAIR PARTS



| REF. NO. | PART NO. | PART NAME |
|----------|--------------|------------------------------|
| 480 | 601 00 17-95 | HSNG, ASSY AUG 21" |
| 490 | 601 00 17-96 | BLADE, SCRAP 20.88 PLAST |
| 492 | 601 00 17-97 | SCREW, 1/4-20X .63 SLTRMA |
| 493 | 601 00 08-27 | NUT, 1/4-20 WDFL MAC-LOCK |
| 511 | 601 00 13-79 | BRNG, FL.670IDX1.25 ODX .88 |
| 513 | 601 00 13-80 | SCREW, 1/4-20X .88 HHC |
| 514 | 601 00 00-18 | WASHER, FLAT .281X .63X.065 |
| 515 | 601 00 08-27 | NUT, 1/4-20 WDFL MAC-LOCK |
| 520 | 601 00 17-98 | AUGER, ASSY COMP 2CY 21" |
| 530 | 601 00 13-72 | BRNG & PLATE, ASSY |
| 532 | 601 00 00-68 | SCREW, 1/4-20X .75 HHC |
| 533 | 601 00 00-18 | WASHER, FLAT .281X .63X.065 |
| 534 | 601 00 00-62 | NUT, 1/4-20 REGHEXCTRLK |
| 540 | 601 00 17-99 | SPACER, SLEV .640X .88X .732 |
| 541 | 601 00 18-00 | PULLEY, V3L 6.00X .75 20GA |

21" SNOW THROWER MODEL ST21M

DISCHARGE CHUTE REPAIR PARTS



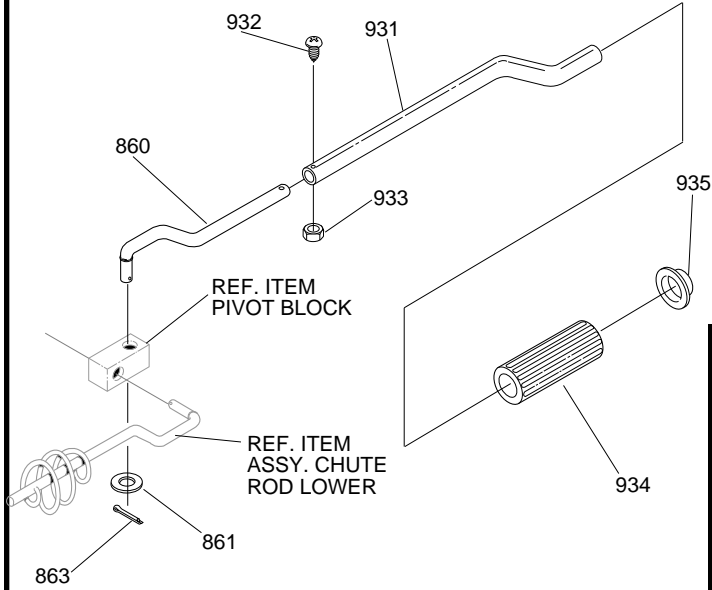
| REF. NO. | PART NO. | PART NAME |
|----------|--------------|-----------------------------|
| 580 | 601 00 18-01 | RING, LOWER CHUTE |
| 581 | 601 00 18-02 | SCREW, 1/4-14X .63 HWATAP |
| 582 | 601 00 18-03 | CLIP, CHUTE RING PLASTIC |
| 590 | 601 00 18-04 | CHUTE, LWR SRS 8HP |
| 591 | 601 00 00-66 | SCREW, 1/4-20X .50 HHC |
| 592 | 601 00 08-27 | NUT, 1/4-20 WDFL MAC-LOCK |
| 600 | 601 00 18-05 | CHUTE, UPR SRS W/OHDLE |
| 601 | 601 00 18-06 | WIRE, HINGE 6.65LG SR |
| 602 | 601 00 13-90 | BOLT, 5/16-18X1.25 CARR |
| 603 | 601 00 00-19 | WASHER, FLAT .344X .69X.065 |
| 604 | 601 00 06-84 | NOB, T 2BLADE W/516/18 NUT |
| 605 | 601 00 00-12 | NUT, 5/16-18 REGHEX |
| 606 | 601 00 13-91 | SCREW, 5/16-18X.75 SLTRMA |
| 607 | 601 00 00-19 | WASHER, FLAT .344X .69X.065 |
| 608 | 601 00 00-59 | NUT, 5/16-18 REGHEXCTRLK |
| 610 | 601 00 18-07 | BRACKET, WORM ADJUST |
| 611 | 601 00 14-11 | BOLT, 5/16-18X .75 CARR |
| 612 | 601 00 00-19 | WASHER, FLAT .344X .69X.065 |

| REF. NO. | PART NO. | PART NAME |
|----------|--------------|------------------------------|
| 613 | 601 00 00-23 | WASHER, HVSPTLK |
| 614 | 601 00 00-12 | NUT, 5/16-18 REGHEXCTRLK |
| 620 | 601 00 18-08 | BRACKET, CHUTE ROD HOLDER |
| 621 | 601 00 14-11 | BOLT, 5/16-18X .75 CARR |
| 622 | 601 00 00-19 | WASHER, FLAT .344X .69X.065 |
| 623 | 601 00 00-23 | WASHER, HVSPTLK |
| 624 | 601 00 00-12 | NUT, 5/16-18 REGHEXCTRLK |
| 625 | 601 00 18-09 | PLATE, CHUTE ROD |
| 626 | 601 00 00-66 | SCREW, 1/4-20X .50 HHC |
| 627 | 601 00 00-62 | NUT, 1/4-20 REGHEXCTRLK |
| 630 | 601 00 18-10 | ROD, ASSY CHUTE LWR |
| 631 | 601 00 18-51 | WASHER, FLAT .40 X .75X.025 |
| 632 | 601 00 00-25 | PIN, COTTER .090 DIA X .75LG |
| 633 | 601 00 18-11 | BLOCK, PIVOT PLASTIC |
| 634 | 601 00 14-04 | WASHER, CURVED SPRING |

314356 E

21" SNOW THROWER MODEL ST21M

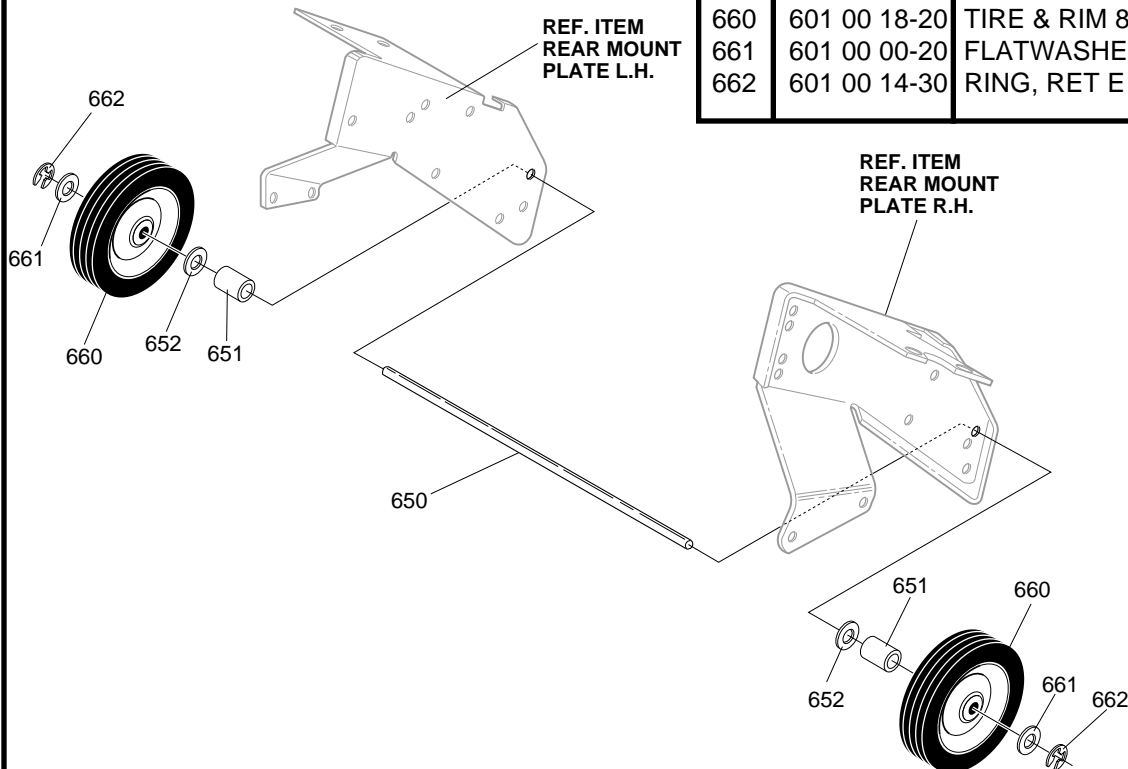
CHUTE CONTROL ROD REPAIR PARTS



| REF. NO. | PART NO. | PART NAME |
|----------|--------------|------------------------------|
| 860 | 601 00 18-12 | ROD, MID CHUTE CTL |
| 861 | 601 00 18-10 | WASHER, FLAT .40 X .75X.025 |
| 863 | 601 00 00-25 | PIN, COTTER .090 DIA X .75LG |
| 931 | 601 00 18-13 | ROD CHUTE CTRL UPR, ASSY |
| 932 | 601 00 18-14 | SCREW, 10-32X .88 SLTRHD |
| 933 | 601 00 18-15 | NUT, #10-32 CTRLK |
| 934 | 601 00 18-16 | KNOB, CHUTE CRANK |
| 935 | 601 00 18-17 | NUT, PUSH, FITS 3/8 DIA |

313981 B

WHEEL ASSEMBLY REPAIR PARTS

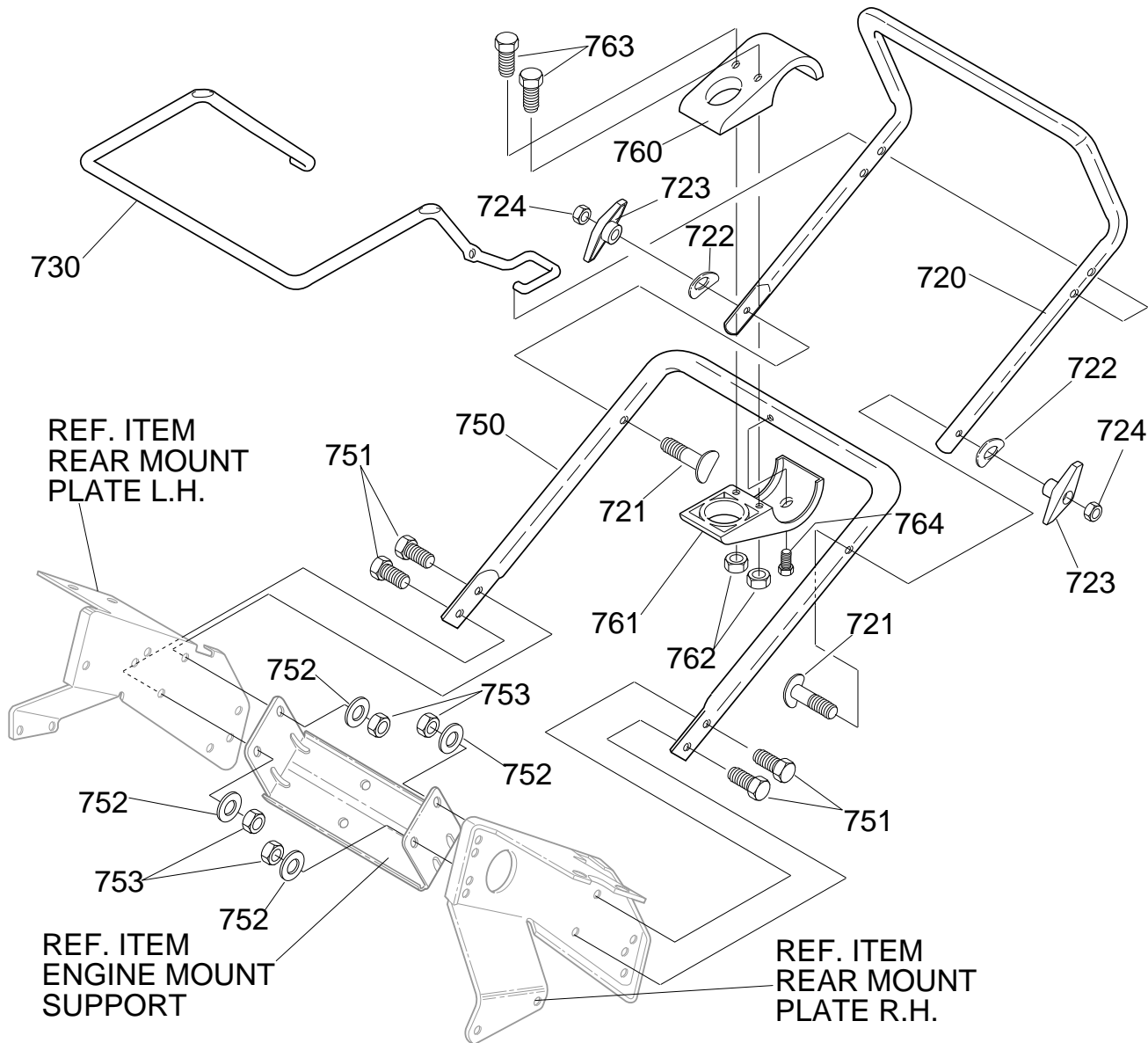


| REF. NO. | PART NO. | PART NAME |
|----------|--------------|------------------------------|
| 650 | 601 00 18-18 | SHAFT, AXLE 5/21 SC |
| 651 | 601 00 18-19 | SPACER, SLEV .407X .63X .440 |
| 652 | 601 00 00-20 | FLATWASHER .406X.81X.065 |
| 660 | 601 00 18-20 | TIRE & RIM 8X1.75 |
| 661 | 601 00 00-20 | FLATWASHER .406X.81X.065 |
| 662 | 601 00 14-30 | RING, RET E .30X.04 |

334817 A

21" SNOW THROWER MODEL ST21M

HANDLE REPAIR PARTS

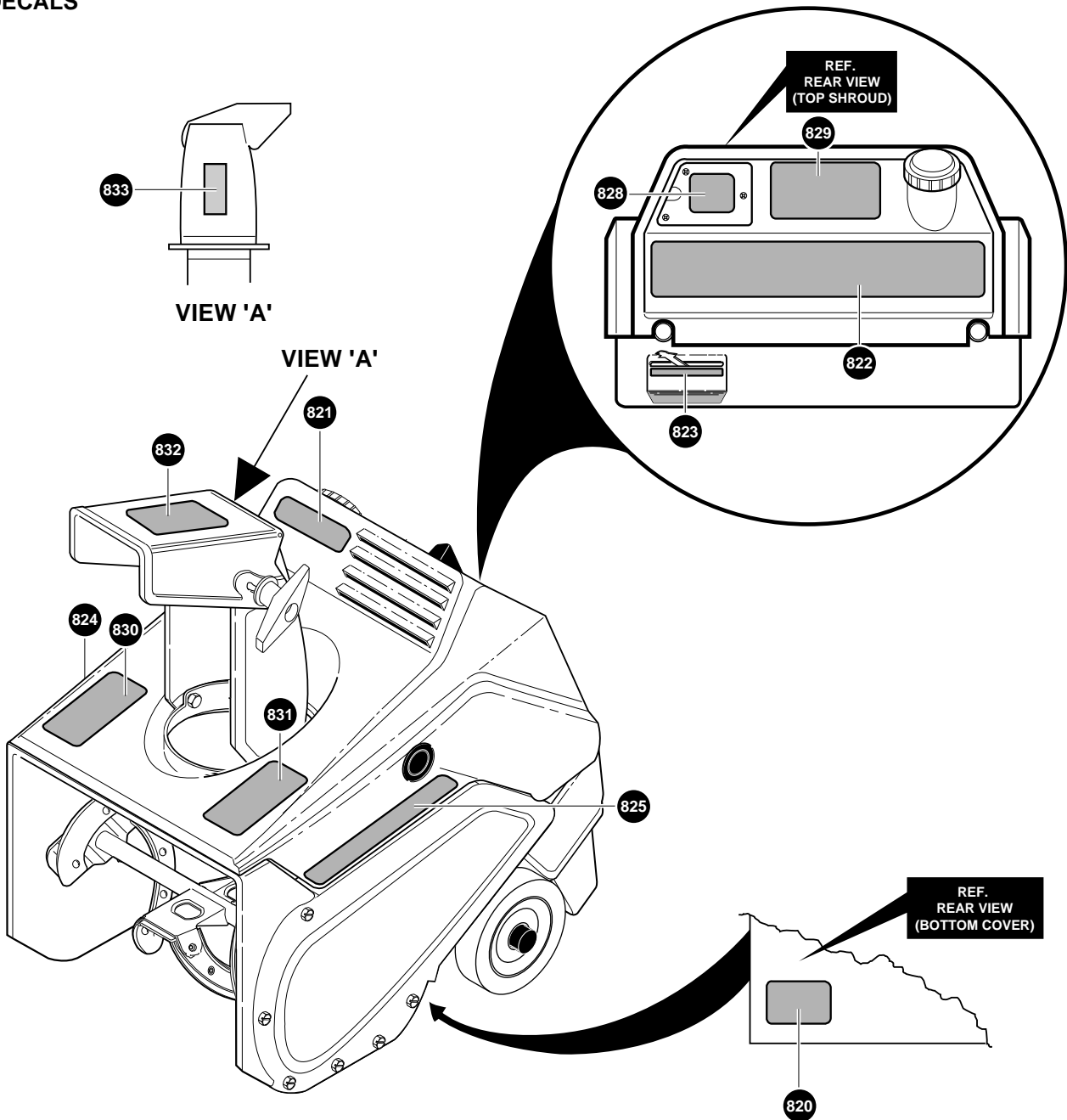


| REF. NO. | PART NO. | PART NAME |
|----------|--------------|----------------------------|
| 720 | 601 00 18-71 | HANDLE, UPR .88X18GA |
| 721 | 601 00 14-00 | BOLT, 5/16-18X1.75 |
| 722 | 601 00 14-01 | WASHER, FORM .344 ID1.0 OD |
| 723 | 601 00 06-84 | KNOB, T 2BLADE W/NUT |
| 724 | 601 00 00-12 | NUT, 5/16-18 REGHEX |
| 730 | 601 00 18-22 | BAR, CONTROL DRIVE .31DIA |
| 750 | 601 00 18-23 | HANDLE, LWR |
| 751 | 601 00 00-73 | SCREW, 5/16-18X .75 HHC |

| REF. NO. | PART NO. | PART NAME |
|----------|--------------|--------------------------|
| 752 | 601 00 00-19 | WASHER, FLAT |
| 753 | 601 00 00-59 | NUT, 5/16-18 REGHEXCTRLK |
| 760 | 601 00 18-24 | BRKT HALF, CHUTE CRANK |
| 761 | 601 00 18-25 | BRKT HALF, CHUTE CRANK |
| 762 | 601 00 16-42 | NUT, #10-24 HEXNYLK |
| 763 | 601 00 18-26 | SCREW, #10-24X1.00 |
| 764 | 601 00 14-45 | SCREW, 1/4-20X .63 |

21" SNOW THROWER MODEL ST21M

DECALS



| REF. NO. | PART NO. | PART NAME |
|----------|--------------|----------------------------|
| 820 | - | REFERENCE ONLY |
| 821 | 601 00 18-27 | DECAL, HUSQVARNA |
| 822 | 601 00 18-82 | DECAL, CONTROL PANEL |
| 823 | 601 00 18-29 | DECAL, OFF-CHOKE-ON |
| 824 | 601 00 18-52 | DECAL, RH SHROUD SIDE |
| 825 | 601 00 18-83 | DECAL, LH SHROUD SIDE |
| 828 | 601 00 18-78 | DECAL, FUEL MIX |
| 829 | 601 00 18-79 | DECAL, START INSTRUCTIONS |
| 830 | 601 00 14-16 | DECAL, DANGER CHUTE ENG/FR |
| 831 | 601 00 14-17 | DECAL, DANGER AUGER ENG/FR |
| 832 | 601 00 18-80 | DECAL, HUSQVARNA CROWN |
| 833 | 601 00 18-81 | DECAL, SAFETY INSTRUCTIONS |