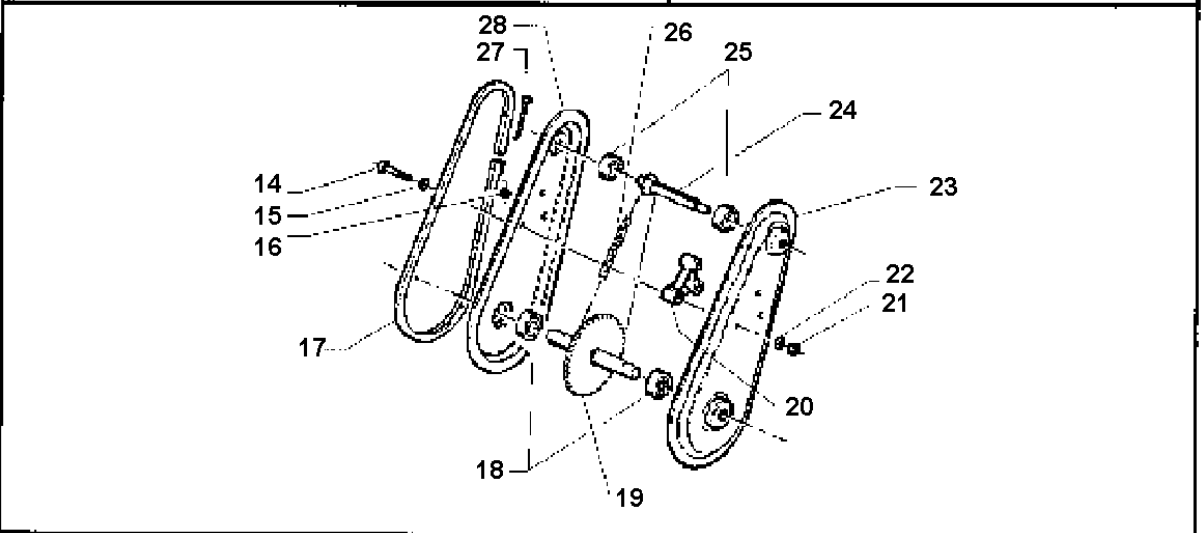
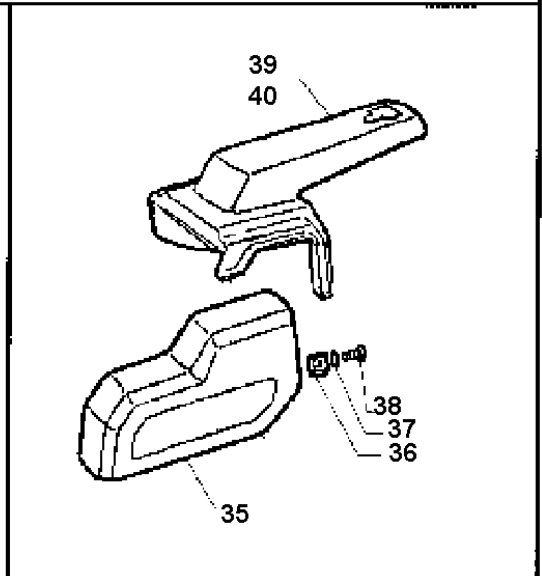
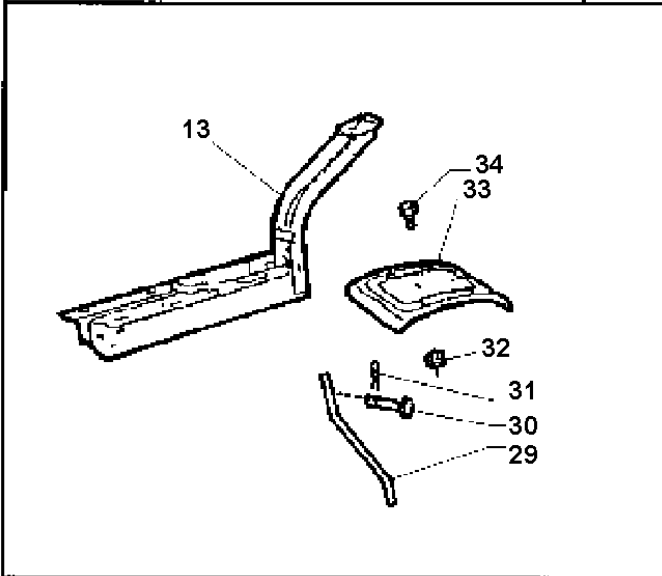
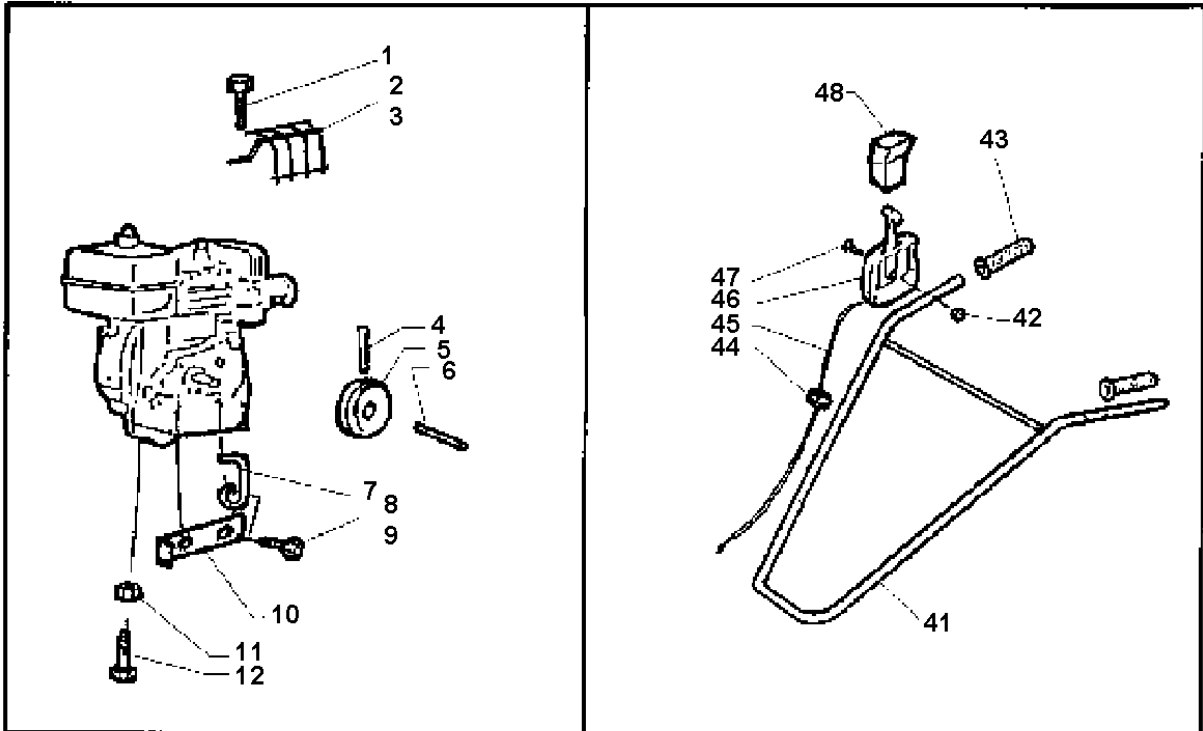




# SPARE PARTS LIST

CULTIVATORS/TILLERS

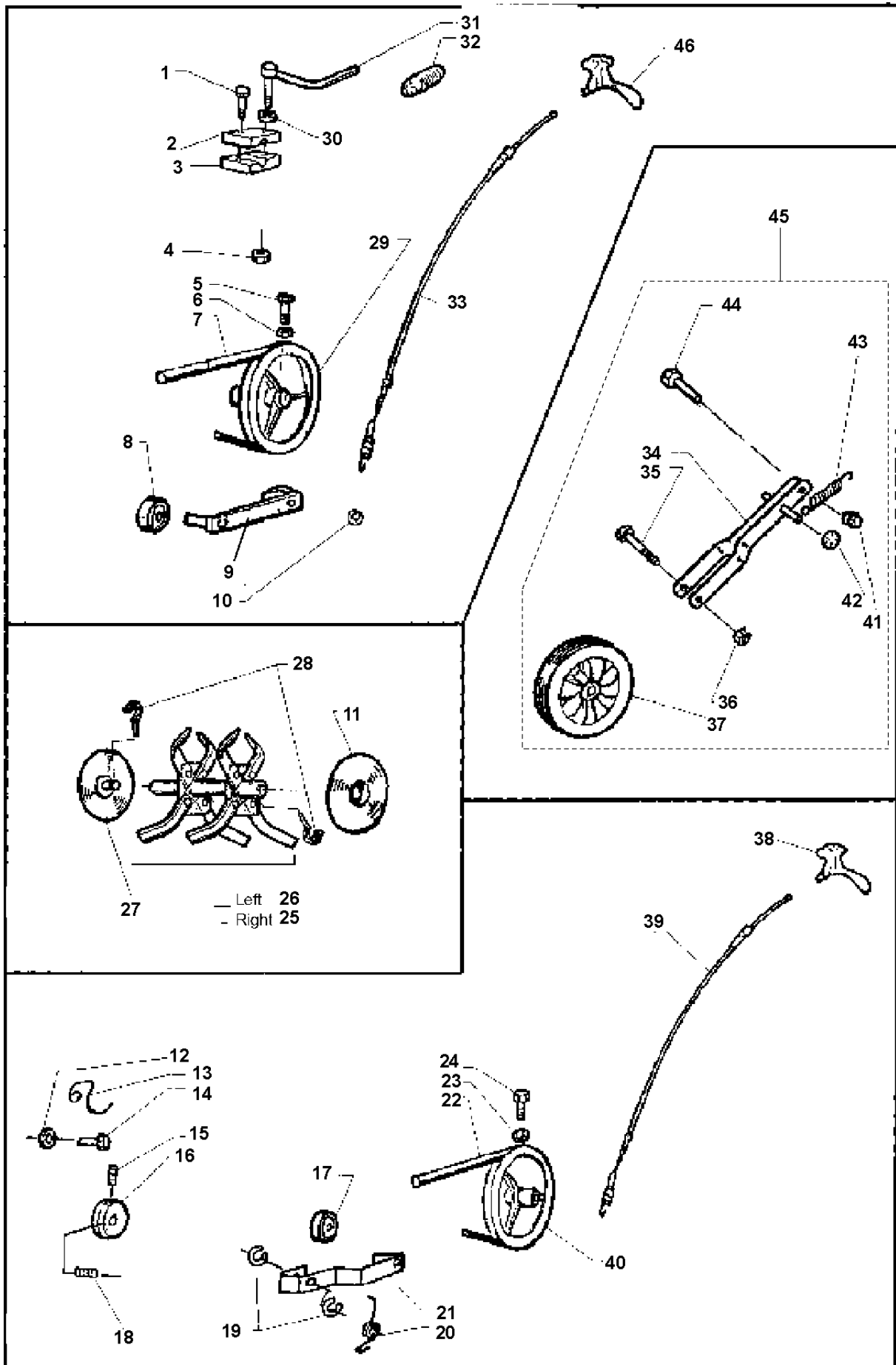
T250, 1995-08



## PRODUCT COMPLETE

T250, 1995-08

Ref	Part No	Description	Remark	QTY KIT
1	519 00 64-72	SCREW	255/255R	1
2	519 65 11-60	PROTECTOR	255/255R 3,5HP	1
3	519 00 64-71	GRATE	5HP	1
4	519 65 30-20	SCREW		1
5	519 65 30-19	WHEEL		1
6	519 65 30-21	KEY		1
7	519 65 30-18	BELT GUIDE		1
8	519 00 24-67	SCREW	L=19	1
9	519 00 64-25	SCREW	L=16	1
10	519 65 05-10	SUPPORT		1
11	519 00 00-07	SLEEVE		1
12	725 24 59-51	SCREW EHHM		1
13	519 65 30-13	FRAME		1
14	725 24 62-51	SCREW EHHM		1
15	734 11 63-01	WASHER		1
16	732 26 16-01	HEXAGON LOCKING NUT		1
17	519 65 30-05	RING		1
18	519 00 26-35	BEARING		1
19	519 65 30-07	SPROCKET		1
20	519 65 30-06	SPACER		1
21	519 00 62-00	NUT		1
22	734 11 63-01	WASHER		1
23	519 65 30-04	PLATE		1
24	519 65 30-08	SHAFT		1
25	519 00 26-31	BALL BEARING		1
26	519 65 30-09	CHAIN		1
27	519 65 30-10	SCREW		1
28	519 65 30-03	PLATE		1
29	519 65 02-01	TAIL-SKID		1
30	519 65 12-10	PIN RETAINING SCREW		1
31	519 65 12-20	PIN RETAINING SCREW		1
32	519 00 62-00	NUT		1
33	519 65 02-81	GUARD		1
34	519 00 03-55	SCREW		1
35	519 65 03-62	COVER		1
36	519 65 03-00	NUT		1
37	735 11 37-51	SPRING WASHER		1
38	729 54 12-01	SCREW CRPANT		1
39	519 65 07-12	COVER	T255 R	1
40	519 65 03-72	COVER	T250	1
41	519 65 30-30	HANDLE		1
42	519 00 07-60	NUT		1
43	519 00 01-13	HANDLE		1
44	519 00 64-17	HOLDER		1
45	519 65 30-15	THROTTLE WIRE		1
46	519 64 94-71	THROTTLE LEVER		1
47	725 63 78-01	SCREW IHCSFM		1
48	516 83 63-07	GRIP		1



PRODUCT COMPLETE

T250, 1995-08

Ref	Part No	Description	Remark	QTY	KIT
1	519 65 30-39	SCREW		1	
2	519 65 30-31	HOLDER		1	
3	519 65 30-32	HOLDER		1	
4	519 65 30-38	NUT		1	
5	519 65 30-26	SCREW		1	
6	519 00 07-60	NUT		1	
7	519 65 30-24	BELT		1	
8	519 65 12-90	ROLLER		1	
9	519 65 30-36	LEVER		1	
10	735 58 71-00	WASHER		1	
11	519 65 30-01	COVER		1	
12	734 11 63-01	WASHER		1	
13	519 65 30-17	BELT GUIDE		1	
14	519 00 24-67	SCREW		1	
15	728 69 23-00	SCREW		1	
16	519 65 13-00	WHEEL		1	
17	519 65 12-90	ROLLER		1	
18	519 65 30-21	KEY		1	
19	735 58 71-00	WASHER		1	
20	519 65 13-40	SPRING		1	
21	519 65 13-20	LEVER		1	
22	519 65 30-25	BELT		1	
23	519 00 07-60	NUT		1	
24	519 65 30-26	SCREW		1	
25	519 65 30-29	TINE	RIGHT	1	
26	519 65 30-28	TINE	LEFT	1	
27	519 65 30-01	COVER		1	
28	519 00 64-43	PIN RETAINING SCREW		1	
29	519 65 30-22	PULLEY		1	
30	519 00 28-41	WASHER		1	
31	519 65 30-34	SCREW		1	
32	519 00 62-23	HANDLE		1	
33	519 65 04-40	WIRE		1	
34	519 65 30-02	HOLDER		1	45
35	732 25 22-01	HEXAGON LOCKING NUT		1	45
36	725 25 50-51	SCREW EHHM		1	45
37	519 65 30-00	WHEEL		1	45
38	519 65 40-65	HANDLE		1	
39	519 65 04-40	WIRE		1	
40	519 65 30-23	PULLEY		1	
41	732 25 20-01	HEXAGON LOCKING NUT		1	45
42	735 58 58-00	WASHER		1	45
43	519 65 02-60	SPRING		1	45
44	725 25 01-51	SCREW EHHM		1	45
45	519 65 02-10	WHEEL ASSY		1	
46	519 00 40-65	HANDLE		1	