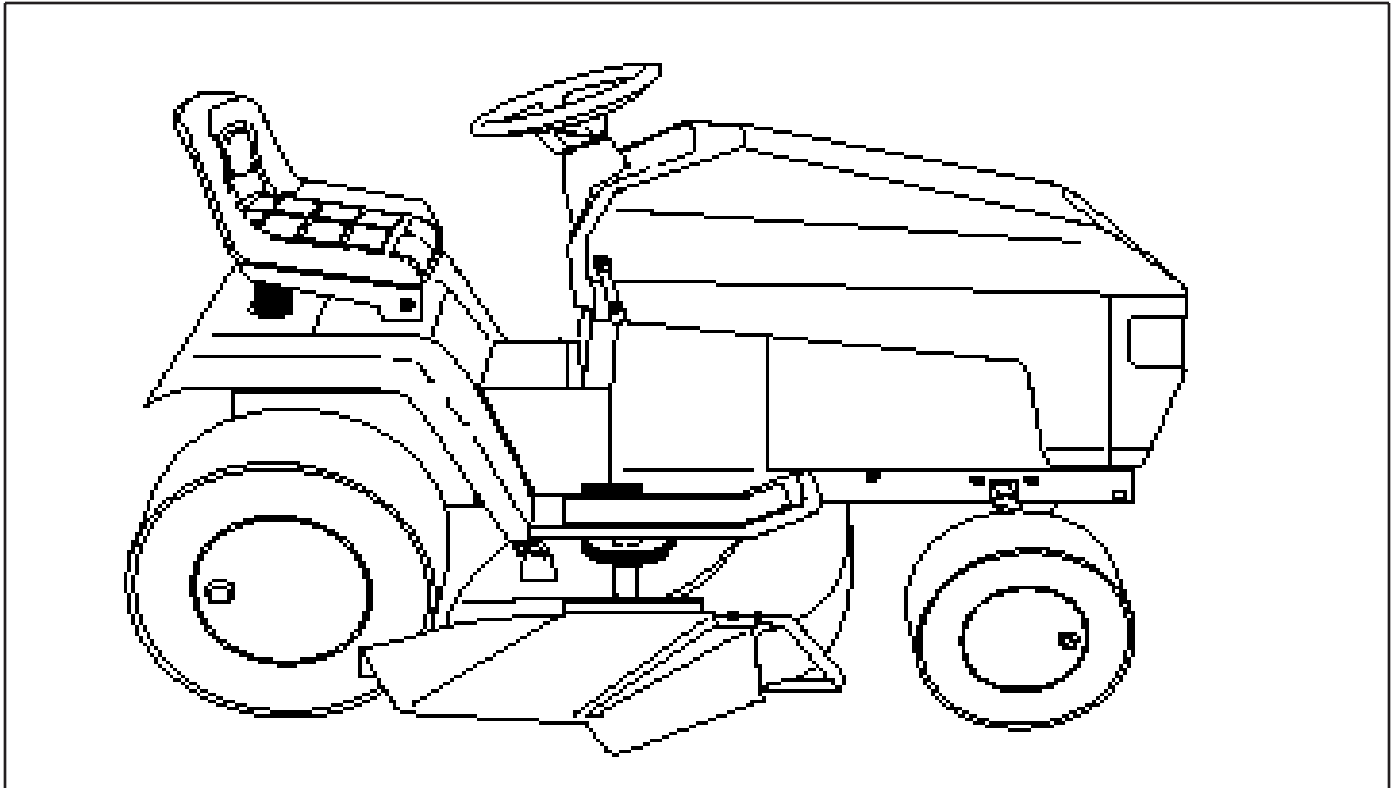


# YTH 180



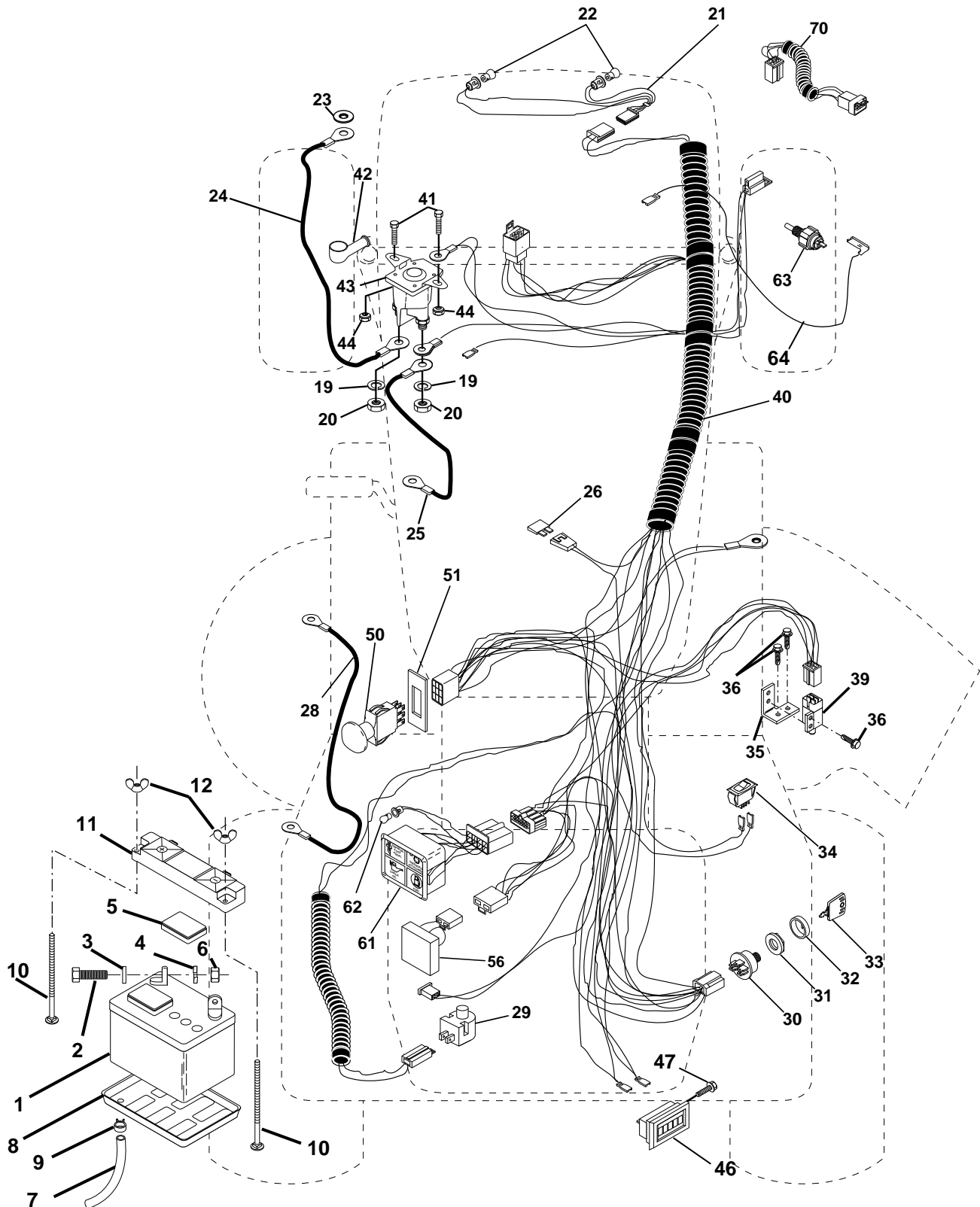
**7.1994**  
**PARTS LISTING**

**954001172A**

# REPAIR PARTS

18 HP 42" TRACTOR - MODEL NO. YTH180 (954001172A)

## ELECTRICAL



# REPAIR PARTS

## 18 HP 42" TRACTOR - MODEL NO. YTH180 (954001172A)

### ELECTRICAL

KEY NO.	PART NO.	DESCRIPTION
1	532121537	Battery
2	874760412	Bolt, Hex Head 1/4-20 x 3/4
3	819091016	Washer 9/32 x 5/8 x 16 Gauge
4	810040400	Washer, Lock 1/4
5	532121264	Caps, Battery
6	873220400	Nut, Hex 1/4-20
7	532007697	Tube, Tray, Battery
8	532124886	Tray, Battery
9	532109596	Clamp, Hose
10	872240460	Bolt, Carriage 1/4-20 x 7-1/2
11	532102476	Guard, Terminal
12	532123198	Nut, Wing 1/4-20
19	810090400	Washer, Lock 1/4
20	873350400	Nut, Hex, Jam 1/4-20
21	532136850	Harness, Socket, Light (Includes Key #11)
22	532004152	Bulb, Light
23	811150400	Washer, Lock, Internal Tooth 1/4
24	532124780	Cable, Starter, 6 Ga 11" Red
25	532124770	Cable, Battery
26	532108824	Fuse
28	532124773	Cable, Battery
29	532121305	Switch, Plunger
30	532144921	Switch, Ignition
31	532140400	Nut, Ignition
32	532141226	Cover, Switch, Ignition
33	532140401	Key, Molded
34	532110712	Switch, Light
35	532108236	Bracket Switch Interlock
36	817021008	Screw, Hex Tap #10-24 UNC
39	532109553	Switch, Interlock (4 Terminal)
40	532141571	Harness, Ignition
41	871110408	Bolt, Hex 1/4-20 x 1/2 Grade 5
42	532131563	Cover, Terminal
43	532138406	Solenoid
44	873640400	Nut, Hex, Keps 1/4-20
46	532110940	Meter, Hour
47	817011008	Screw #10-24 x 1/2
50	532140404	Switch, P.T.O.
51	532140405	Ring, Retainer, Pto
56	532127385	Sensor, Low Voltage
61	532126519	Package, Light
62	532110143	Bulb, Light Package
63	532142320	Switch, Oil Sensor
64	532142321	Wire, Lead, Sentry, Kohler
70	532142047	Harness, Engine

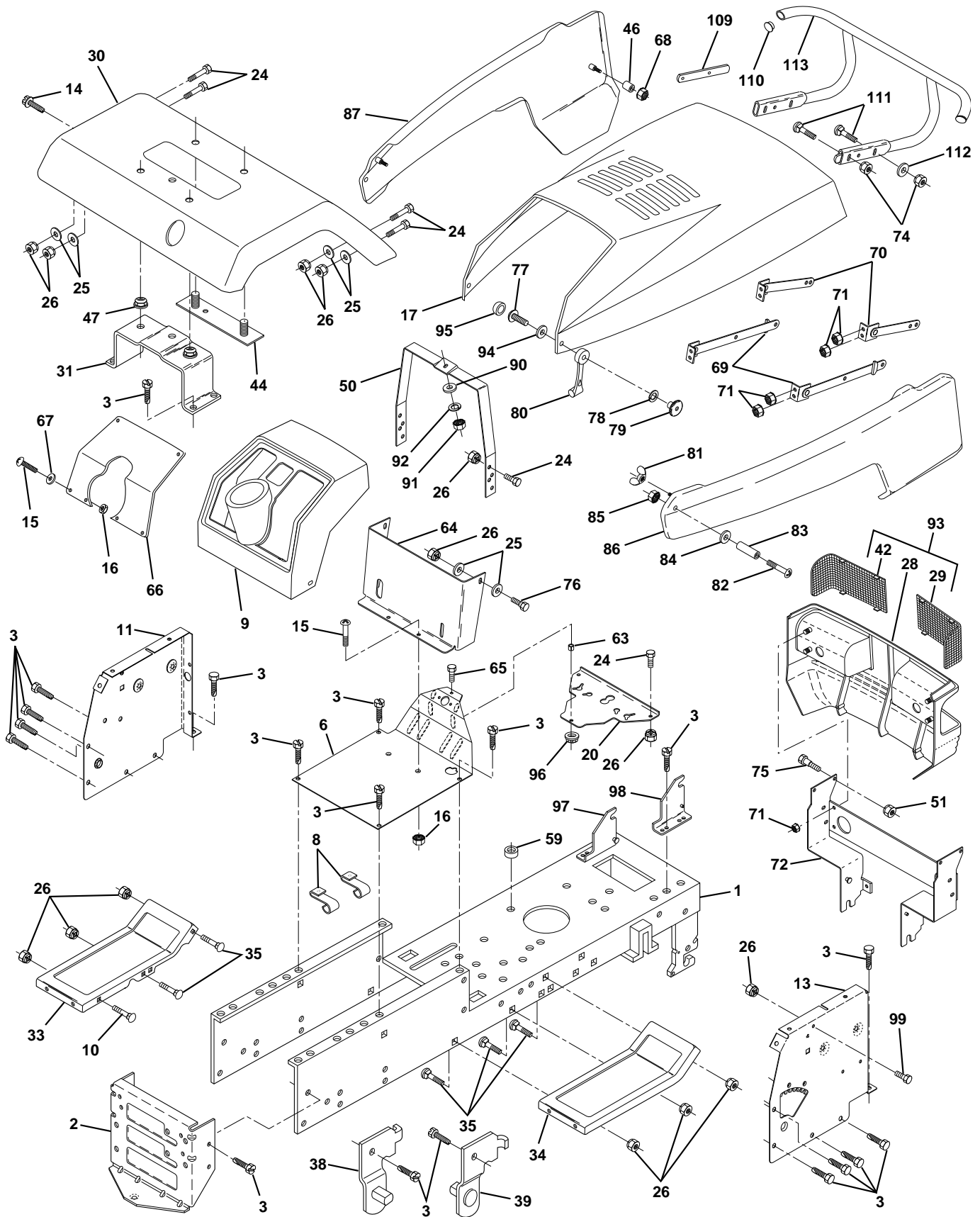
**NOTE:** All component dimensions given in U.S. inches.

1 inch = 25.4 mm

# REPAIR PARTS

## 18 HP 42" TRACTOR - MODEL NO. YTH180 (95400172A)

### CHASSIS AND ENCLOSURES



# REPAIR PARTS

## 18 HP 42" TRACTOR - MODEL NO. YTH180 (954001172A)

### CHASSIS AND ENCLOSURES

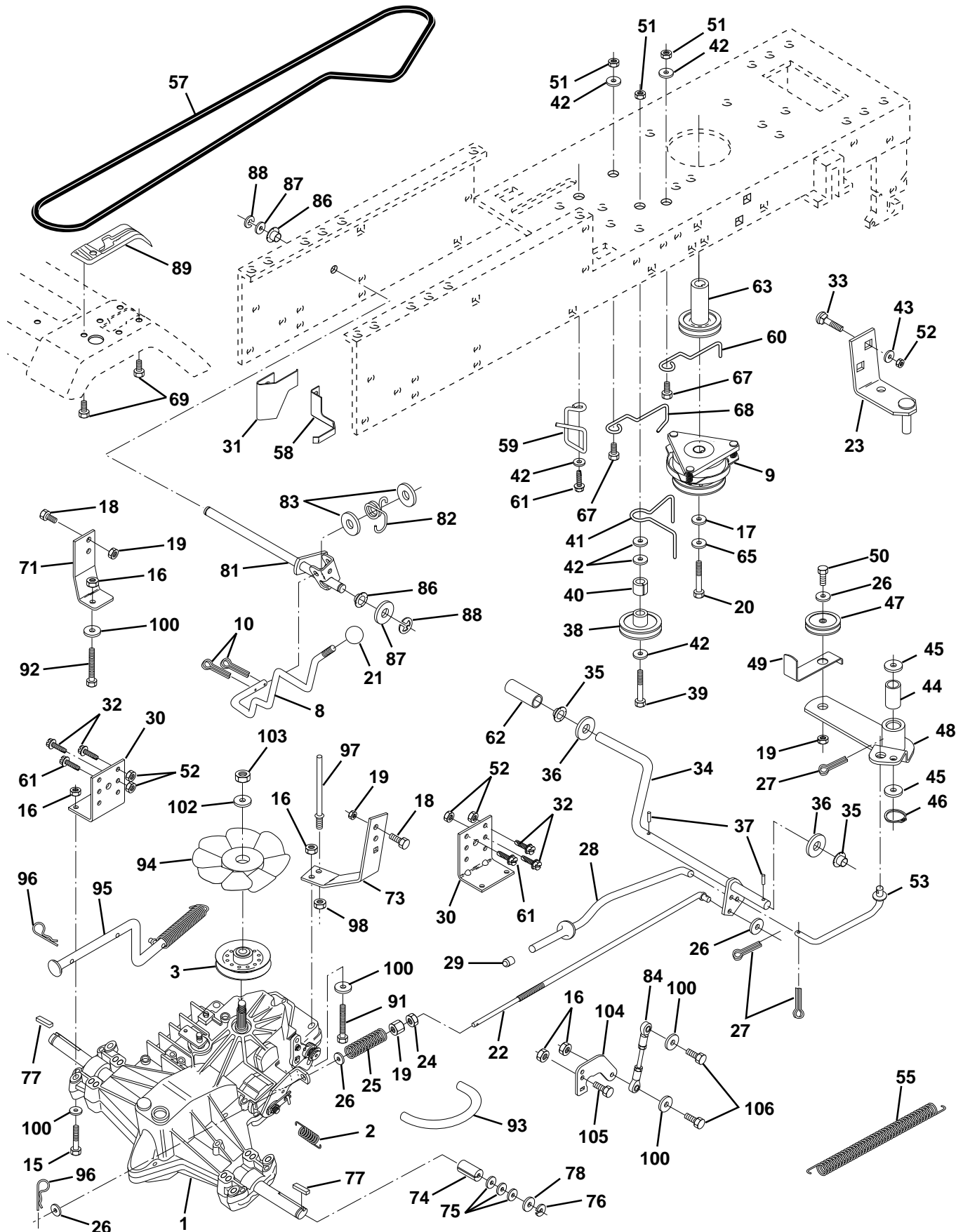
KEY PART NO. NO.	DESCRIPTION	KEY PART NO. NO.	DESCRIPTION		
1	532140341	Chassis	69	532106784	Strap Assembly, Hinge, Rear
2	532140356	Drawbar	70	532104618	Strap Assembly, Hinge, Front
3	817490612	Screw, Thd., Roll. 3/8-16 x 3/4	71	873640400	Nut, Keps Blk Hex 1/4-20 UNC
6	532127543	Saddle	72	532124574	Support Assembly, Grille
8	532126471	Clip, Insulator	74	873680600	Nut, Crownlock 3/8-16 UNC
9	532140452	Dashboard	75	532123481	Bolt, Shoulder 1/4-20 UNC
10	872140608	Bolt, Carriage 3/8-16 UNC x 1	76	874780620	Bolt, Fin Hex 3/8-16 UNC x 1-1/4
11	532136967	Dash Panel, LH	77	874191008	Screw, Machine, Cross Pan Head #10-24 x 1/2
13	532136970	Dash Panel, RH	78	810071000	Washer, Lock #10
14	817490608	Screw, Thd., Roll. 3/8-16 x 1/2	79	532125004	Nut, Weld
15	874180512	Screw, Machine 5/16-18 UNC x 3/4	80	532109808	Latch, Chute
16	873510500	Nut, Hex, Keps 5/16-18 UNC	81	532123198	Wing Nut, Plastic 1/4-20
17	532125454	Hood	82	874981020	Screw, Machine, Cross Pan Head #10-24 x 1-1/4
20	532140181	Plate, Battery Support	83	532007206	Spacer, Split #10 x 3/4
24	874780616	Bolt, Fin Hex 3/8-16 x 1 Gr. 5	84	819070818	Washer 7/32 x 1/2 x 18 Gauge
25	819131312	Washer 13/32 x 13/16 x 12 Gauge	85	873731000	Nut, Hex, Keps #10-24 UNC
26	873800600	Nut, Lock, Hex W/Ins 3/8-16 UNC	86	532143365	Side Panel, RH
28	532127325	Grille	87	532143364	Side Panel, LH
29	532124251	Lens, Headlight, RH, Smoked	90	819091216	Washer 9/32 x 3/4 x 16 Gauge
30	532141449	Fender	91	873220400	Nut, Hex, Fin. 1/4-20 UNC
31	532137113	Bracket Fender	92	810040400	Washer, Lock, Hvy Hlcl 1/4
33	532124899	Footrest, LH	93	532127320	Grill Assembly
34	532124914	Footrest, RH	94	532110357	Washer, Cap
35	872110606	Bolt, Carriage 3/8-16 x 3/4	95	532110356	Cap, Black
38	532139886	Pivot Bracket Assembly, Rear, LH	96	873800500	Nut, Lock, Hex w/Ins. 5/16-18
39	532139887	Pivot Bracket Assembly, Rear, RH	97	532110853	Pivot Bracket Assembly, LH
42	532124250	Lens, Headlight, LH, Smoked	98	532110852	Pivot Bracket Assembly, RH
44	532140675	Strap, Fender	99	874760616	Bolt, Hex, Fin. 3/8-16 x 1
46	532127316	Retainer	109	532141461	Bracket, Ext. Bumper
47	532105531	Nut, Push, Nylon	110	532143679	Plug, Plastic
50	532124130	Support, Dash	111	872140610	Bolt, Carriage 3/8-16 x 1-1/4
51	873800400	Nut, Lock W/Ins. 1/4-20 UNC	112	819131316	Washer 13/32 x 13/16 x 16 Ga.
59	532110436	Bushing, Snap Split	113	532141460	Bumper Assembly
63	532121236	Spacer, Split	--	532121794	Cover Access
64	532104805	Dash, Lower	--	532125085	Plug, Button
65	874760532	Bolt, Hex, Fin. 5/16-18 UNC x 2			
66	532141626	Plate, Dash			
67	819111116	Washer 11/32 x 11/16 x 16 Gauge			
68	873510400	Nut, Hex, Keps 1/4-20 UNC			

**NOTE:** All component dimensions given in U.S. inches  
1 inch = 25.4 mm

# REPAIR PARTS

## 18 HP 42" TRACTOR - MODEL NO. YTH180 (954001172A)

### DRIVE



# REPAIR PARTS

## 18 HP 42" TRACTOR - MODEL NO. YTH180 (954001172A)

### DRIVE

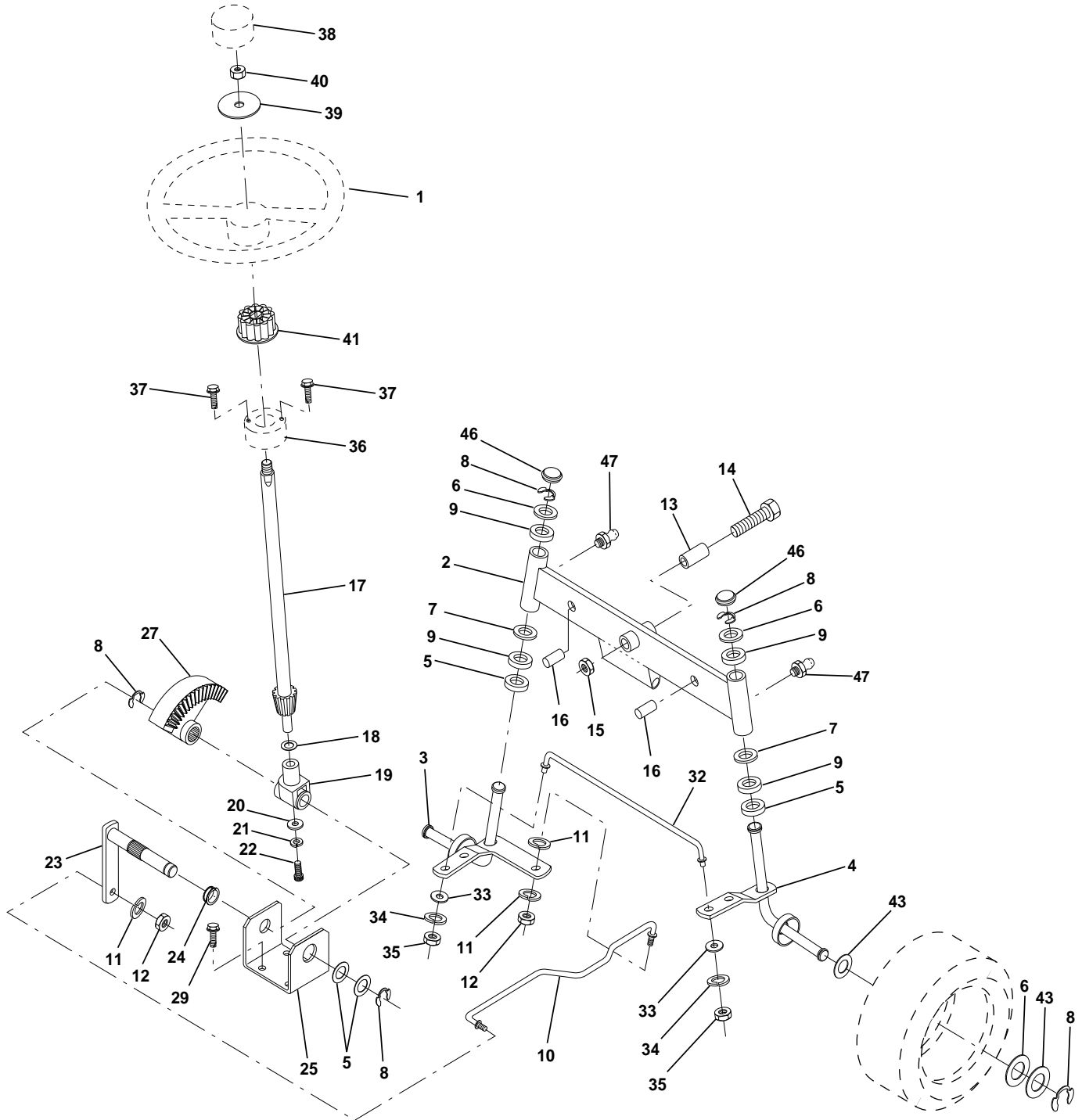
KEY NO.	PART NO.	DESCRIPTION	KEY NO.	PART NO.	DESCRIPTION
1	532144436	Transaxle Assembly	55	532105709	Spring, Return, Clutch
2	532142431	Spring, Return, Brake	57	532140294	V-Belt, Ground Drive
3	532143995	Pulley, Transaxle	58	532140470	Keeper Belt Lh Hydro 0750. 18/20"
8	532141002	Rod Shift Fender YT	59	532140312	Keeper, Center Span
9	532137140	Clutch, Electric	60	532121218	Keeper Belt Engine
10	876020416	Pin Cotter 1/8 x 1 CAD	61	817490612	Screw Thdrol. 3/8-16 x 3/4 Ty. TT
15	874780544	Bolt Fin Hex 5/16-18 Unc	62	532123533	Cover, Pedal
16	873800500	Nut Lock Hex W/Ins. 5/16-18 Unc P	63	532140189	Pulley, Engine
17	532126197	Washer 1-1/2 OD x 15/32 ID x .250	65	810040700	Washer
18	874780616	Bolt Fin Hex 3/8-16 Unc x 1 Gr. 5	67	874760616	Bolt
19	873800600	Nut Lock Hex W/Wsh 3/8-16 Unc	68	532105730	Keeper Belt Engine
20	871170768	Bolt, Hex	69	532142432	Screw
21	532140845	Knob, Duckhead 1/2-13	71	532140158	Strap Torque Lh Hydro 18/20" T
22	532140217	Rod, Brake Hydro	73	532140157	Strap Torque Rh Hydro 18/20" T
23	532137141	Bracket, Asm Mtg Clutch	74	532121199	Spacer, Split
24	873350600	Nut	75	532121749	Washer 25/32 x 1-1/4 x 16 Gauge
25	532106888	Spring, Brake Rod	76	812000001	E-Ring
26	819131316	Washer	77	532123583	Key, Square
27	876020412	Pin Cotter 1/8 x 3/4 CAD.	78	532121748	Washer 25/32 x 1-5/8 x 16 Gauge
28	532133261	Rod, Parking Brake	81	532140154	Shaft Asm. Cross Hydro 20" Tires
29	532071673	Cap, Parking Brake	82	532123782	Spring Torsion T/A
30	532130807	Bracket, Transaxle	83	819171216	Washer 17/32 x 3/4 x 16 Ga.
31	532127275	Keeper Belt Lh	84	532140548	Rod, Tie Hydro 20" Tires
32	874760512	Bolt Hex Hd 5/16-18 Unc x 3/4	86	532071208	Bushing Rod Steering 629/632 ID
33	872140506	Bolt Carriage 5/16-18	87	819212016	Washer 21/32 x 1-1/4 x 16 Ga.
34	532122424	Shaft, Foot Pedal	88	812000008	Ring Klip #5304-62
35	532120183	Bearing, Nylon	89	532139989	Console, Shift
36	819211616	Washer	91	874780536	Bolt Fin Hex 5/16-18 x 2-1/4
37	532124963	Pin, Roll	92	874780524	Bolt Fin Hex 5/6-18 Unc x 1-1/2
38	532123674	Pulley, Idler, Flat	93	532142564	Line Fuel Hydro 4"
39	874760644	Bolt	94	532140462	Fan, Hydro 7"
40	532124965	Spacer, Split	95	532144643	Control Arm, Bypass Hydro
41	532109070	Keeper, Belt Retainer	96	532124788	Retainer Spring 1" Zinc/Cad
42	819131312	Washer 13/32 x 13/16 x 12 Gauge	97	532140469	Keeper Belt Rh Hydro 0750. 18/20"
43	819111012	Washer 11/32 x 5/8 x 12 Ga.	98	873510600	Nut Keps Hex 3/8-16 Unc
44	532105706	Bearing, Nylon	100	819111216	Washer 11/32 x 3/4 x 16 Ga.
45	532110812	Washer, Hardened	102	532141322	Washer Belleville .501D x 1.50D
46	812000039	Ring, Klip	103	532050831	Nut Nylon Insert 1/2-20 Unf.
47	532127783	Pulley, Idler, V-Groove	104	532140156	Arm, Control Hydro
48	532123789	Bellcrank Assembly	105	871070516	Screw Cap Hex 5/16 x 18 x 1
49	532123205	Retainer, Belt	106	874780520	Bolt Fin Hex 5/16-18 Unc x 1-1/4
50	874760624	Bolt			
51	873680600	Nut			
52	873680500	Nut, Crownlock 5/16-18			
53	532105710	Link, Clutch			

**NOTE:** All component dimensions give in U.S. inches.  
1 inch = 25.4 mm.

# REPAIR PARTS

18 HP 42" TRACTOR - MODEL NO. YTH180 (954001172A)

## STEERING ASSEMBLY





# REPAIR PARTS

## 18 HP 42" TRACTOR - MODEL NO. YTH180 (954001172A)

### STEERING ASSEMBLY

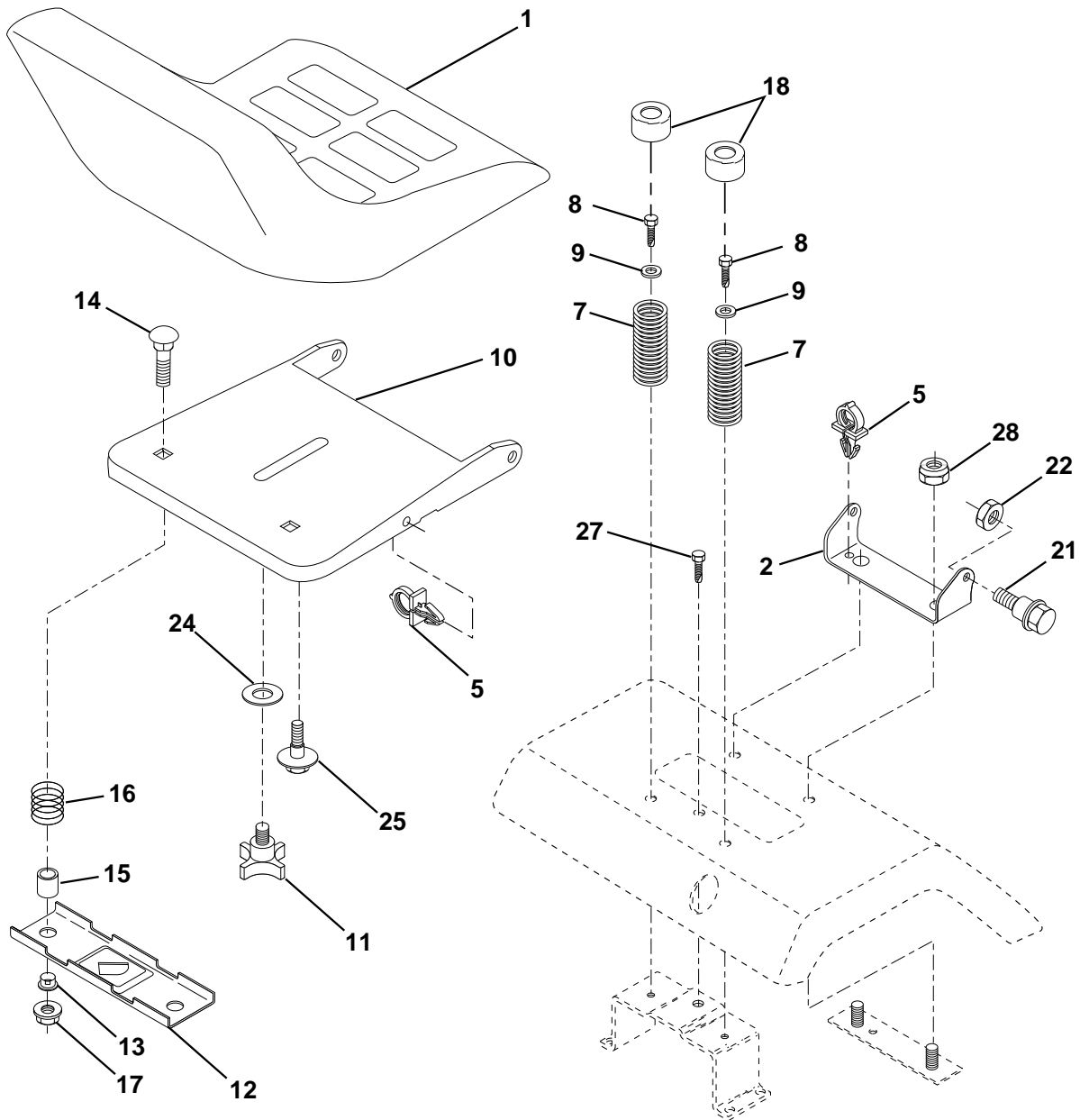
KEY PART NO.	PART NO.	DESCRIPTION
1	532124415	Wheel Steering Auto Grey
2	532142033	Axle Asm Fr LT W/gzks 38/42
3	532135227	Spindle Asm LH
4	532135228	Spindle Asm RH
5	532124931	Bearing Race Thrust Harden
6	532121748	Washer 25/32 X 1-5/8 X 16 Ga
7	819272016	Washer 27/32 X 1-1/4 X 16 Ga
8	812000029	Ring Klip #t5304-75
9	532124937	Bearing Col Strg Blk
10	532130468	Link Drag Sol Ball Jt 20 064
11	810040600	Washer Lock Hvy Hlcl Spr 3/8
12	873610600	Nut Fin Hex 3/8-24 Unf
13	532110438	Spacer Bearing Axle Front
14	874011056	Bolt Hex 5/8-11 Unc X 3-1/2
15	873901000	Nut Lock Flange 5/8-11 Unc
16	532132624	Pin Axle 5/8 X 1 55/1 54 Lg
17	532128762	Shaft Asm Strg 20 31 x 3/4 YP YT
18	532057079	Washer Thrust 515x 750x 033
19	532124035	Support Shaft
20	532126684	Washer Shim 1/4 X 5/8 X 062
21	810040400	Washer Lock Hvy Helical 1/4
22	871070410	Screw Hex Socket 1/4-20 X 5/8
23	532127501	Shaft Asm Pittman
24	532109816	Nyliner Snap In
25	532124036	Bracket Steering
27	532136874	Gear Sector
29	817490612	Screw Thdrol 3/8-16x3/4 Ty-tt
32	532130467	Rod Tie Wire Form 19 75 Elec
33	819111216	Washer 11/32 x 3/4 x 16 Ga.
34	810040500	Washer, Lock Hvy Hlcl Spr 5/16
35	873810500	Locknut 5/16-24 Unf
36	532124720	Bushing Strg Blk 742/747 Id
37	817431008	Screw Slftp #10-16 X 1/2 Ty-b
38	532124416	Insert Cap Strg Wh Aut Hus Gry
39	532100712	Washer 53 X 2 25 X 160 Zinc
40	873940800	Nut Hex Jam Toplock 1/2-20 Unf
41	532100711	Adapter Wheel Strg 758/ 753id
43	532121749	Washer 25/32 X 1 1/4 X 16 Ga
46	532121232	Cap Spindle Fr Top Blk
47	532124836	Fitting Grease

**NOTE:** All component dimensions given in U.S. inches  
1 inch = 25.4 mm

# REPAIR PARTS

## 118 HP 42" TRACTOR - MODEL NO. YTH180 (954001172A)

### SEAT ASSEMBLY



KEY NO.	PART NO.	DESCRIPTION
1	532124186	Seat V-550 Gry/blk Std
2	532140551	Bracket Pivot Seat
5	532145006	Clip, Push-In
7	532124181	Spring Seat Cprsn 2 250 Blk Zi
8	817490508	Screw Hwsh Thdrol 5/16-18 x 1/2
9	819131614	Washer 13/32 X 1 X 14 Ga
10	532140552	Pan Seat
11	532120068	Knob Seat 1/2-13unc Blk
12	532121246	Bracket Mounting Switch
13	532121248	Bushing Snap Blk Nyl 50 Id
14	872050411	Bolt Rdhd Sht Nk 1/4-20x1-3/8
15	532121249	Spacer Split 28x 88 Yel Zinc

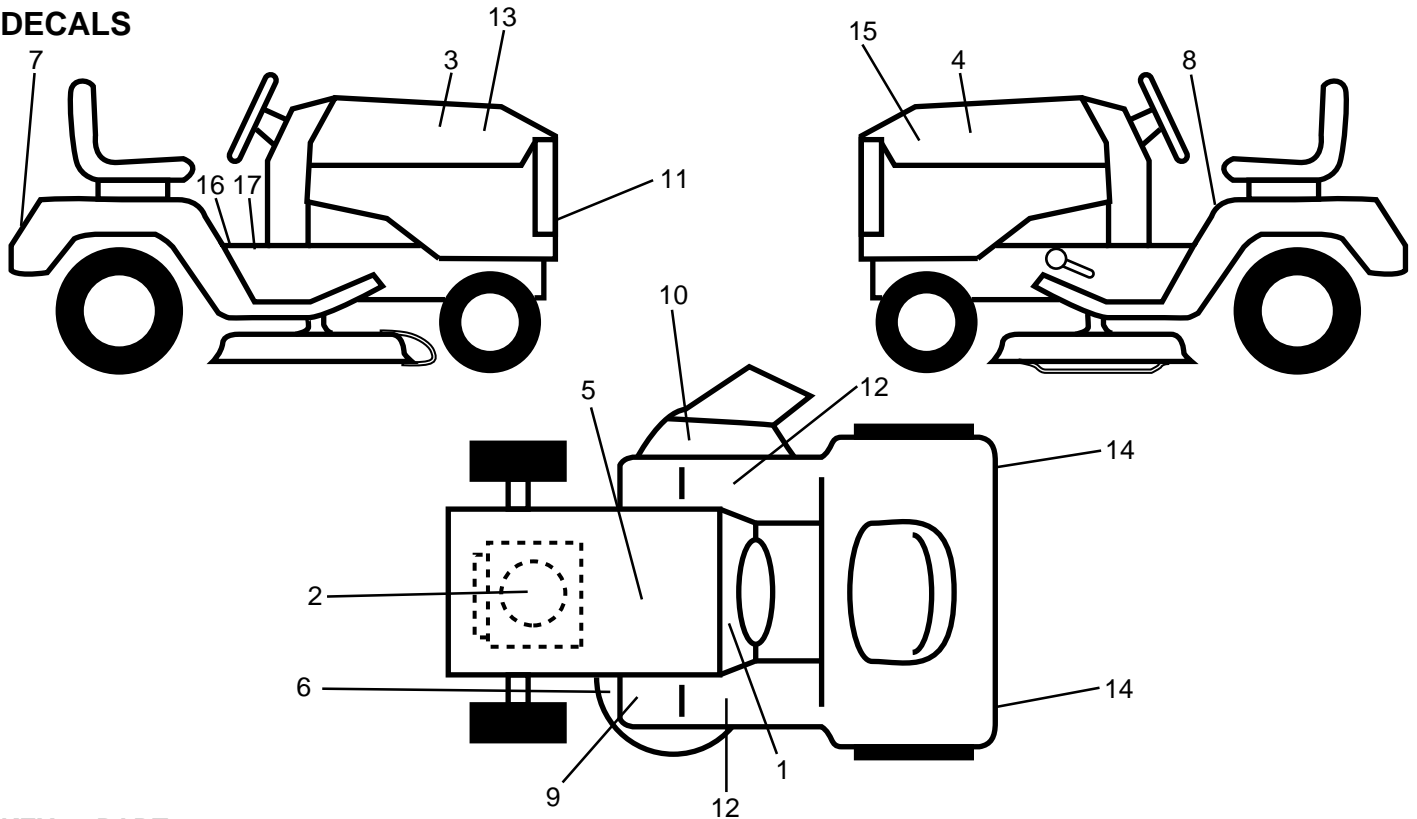
KEY NO.	PART NO.	DESCRIPTION
16	532123740	Spring Cprsn 1 310 Blk Pnt
17	532123976	Nut Lock 1/4 Lge Flg Gr 5 Zinc
18	532124238	Cap Spring Seat
21	532139888	Bolt Shoulder 5/16-18 Unc Blkz
22	873680500	Nut Crown Lock 5/16-18
24	819171912	Washer 17/32 X 1-3/16 X 12 Ga
25	532127018	Bolt Shoulder 5/16-18 X 62
27	817490608	Screw Thdrol 3/8-36 x 1/2
28	873680600	Nut, Crownlock 3/8-16 UNC

**NOTE:** All component dimensions given in U.S. inches  
1 inch = 25.4 mm

# REPAIR PARTS

## 118 HP 42" TRACTOR - MODEL NO. YTH180 (954001172A)

### DECALS

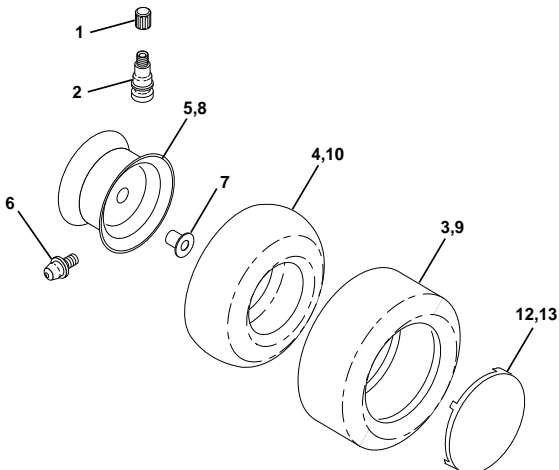


KEY NO.	PART NO.	DESCRIPTION	KEY NO.	PART NO.	DESCRIPTION
1	532138956	Decal Instruction Dash Eng/fr	14	532106202	Reflector Tail Light Red/amber
2	532132507	Decal HP Engine	15	532140729	Decal Hood RH Husqvarna
3	532140855	Decal Hood RH Husq YT180 Insert	16	532142337	Decal Sdl Cold Start Hyd E/F
4	532140854	Decal Hood LH Husq YT180 Insert	17	532140837	Decal Brake Parking Saddle
5	532121549	Decal Caution Battery Fr/ger	--	532138311	Decal Lift Handle(Lift Handle)
6	532136832	Decal V-Belt Sch	--	532142341	Decal Drawbar Cntrl Mvt Hyd LT
7	532131582	Decal Fender Husqvarna	--	532145464	Manual Owners, English
8	532133795	Decal Caution Fender Eng/fr	--	532145465	Manual Owners, French
9	532101892	Decal Clutch/brake Eng/fr			
10	532137259	Decal Warning MULTI-LANGUAGE			
11	532125989	Decal Grille Husqvarna			
12	532108256	Pad, Footrest Rbr. Sq. Generic			
13	532140728	Decal Hood RH Husqvarna			

Available accessories not included with tractor:

- LBD48 42" Snow blade
- LC05 33 lb. Weights (pairs)
- LSB42 40" Snow Thrower
- C42 42" Bagger
- LC06 Tire Chains
- MK420 42" Mulcher Kit

### WHEELS & TIRES



KEY NO.	PART NO.	DESCRIPTION
1	532059192	Cap Valve Tire
2	532065139	Stem Valve
3	532106222	Tire F Ts 15 X 60 - 6 Service
4	532059904	Tube Front (Service Item Only)
5	532141446	Rim Asm 6" front White Service
6	532124957	Fitting Grease (Front Wheel Only)
7	532124959	Bearing Flange (Front Wheel Only)
8	532141447	Rim Asm 8" rear White Service
9	532122082	Tire R Ts 20 X 10 - 8 Service
10	532124926	Tube Rear (Service Item Only)
12	532124577	Cover Wheel 6" white
13	532124578	Cover Wheel 8" white

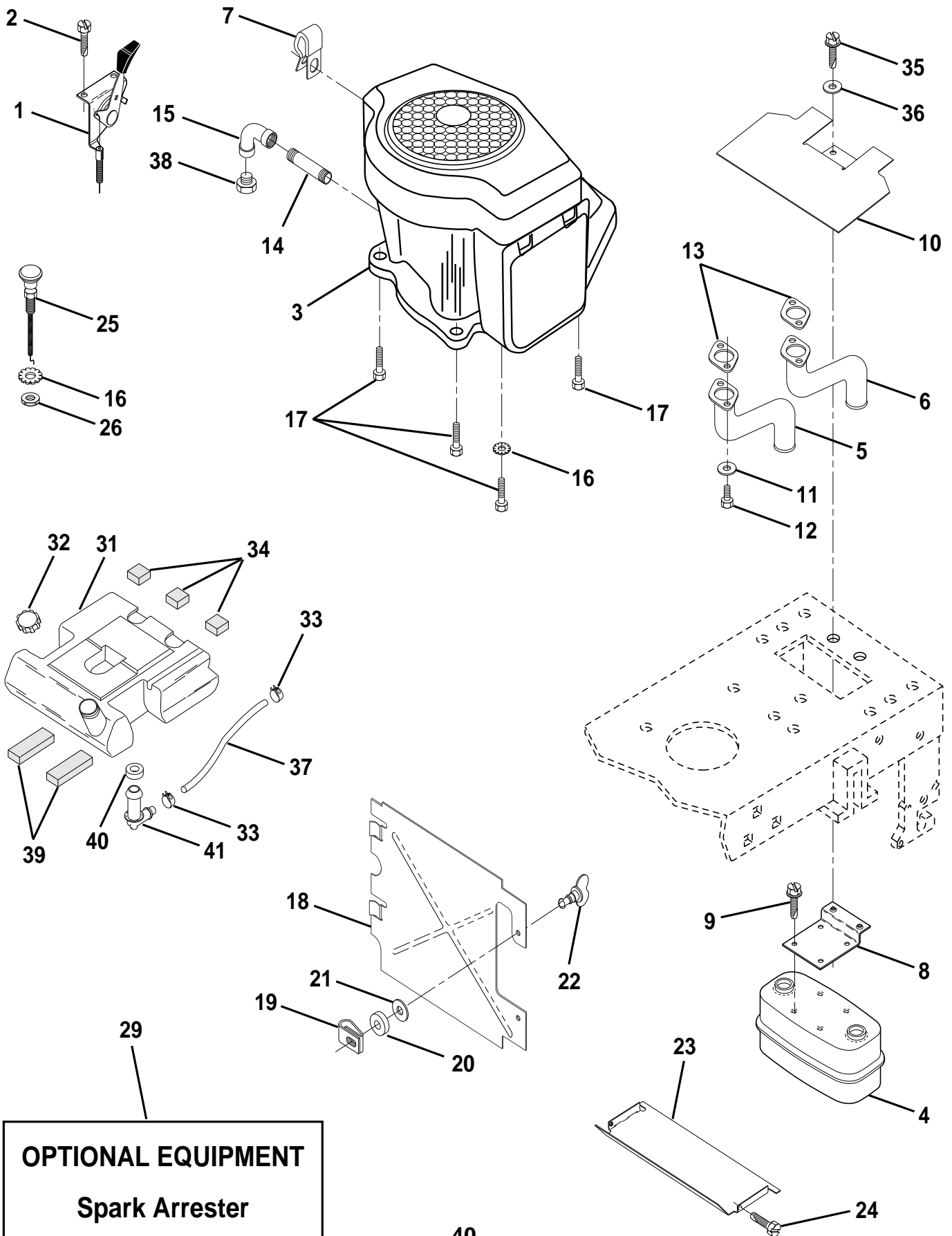
**NOTE:** All component dimensions given in U.S. inches

1 inch = 25.4 mm

# REPAIR PARTS

18 HP 42" TRACTOR - MODEL NO. YTH180 (954001172A)

## ENGINE



# REPAIR PARTS

## 18 HP 42" TRACTOR - MODEL NO. YTH180 (954001172A)

### ENGINE

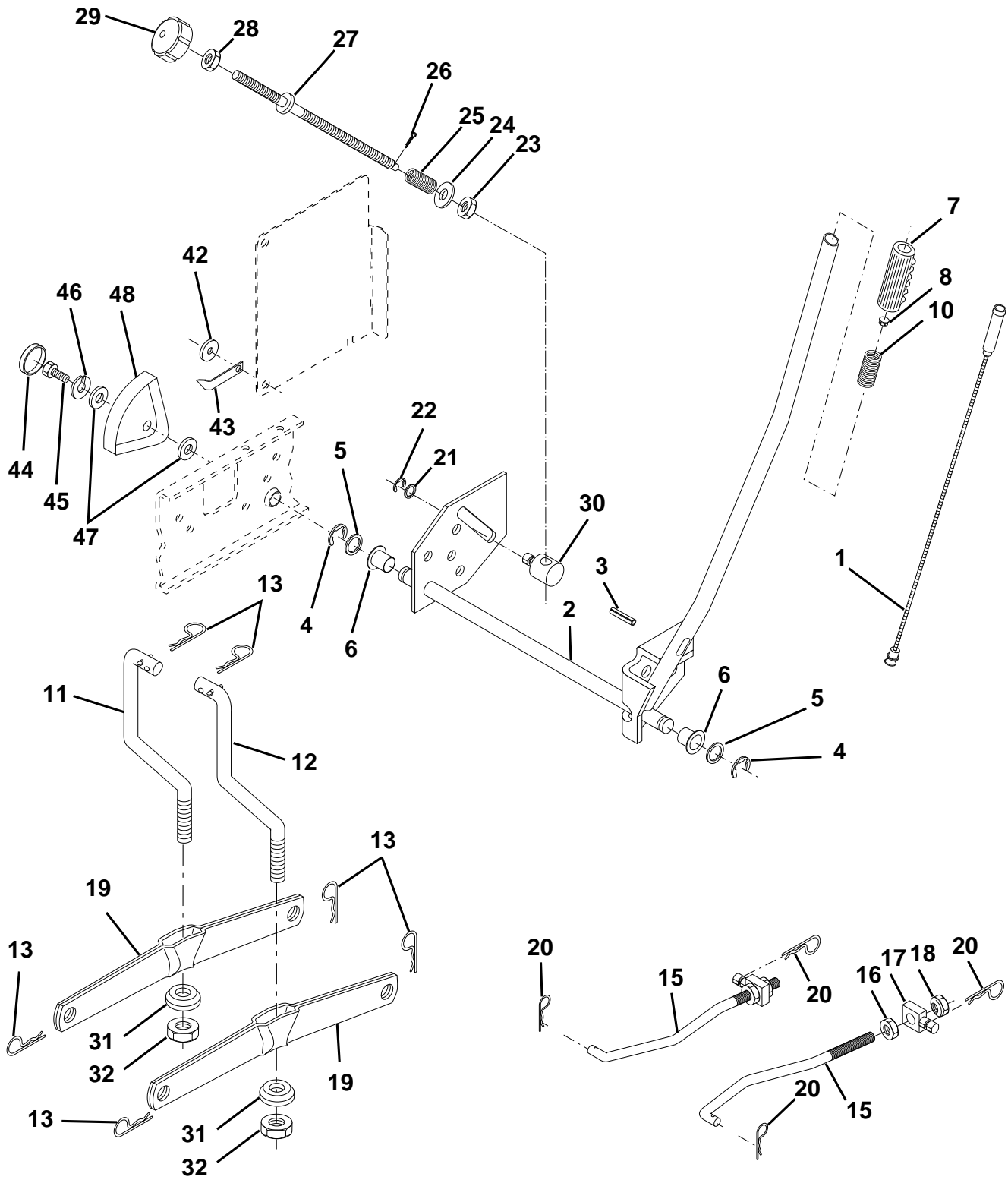
KEY PART NO.	PART NO.	DESCRIPTION
1	532137214	Control RH Blk Flg 37 88
2	817720410	Screw Hex Thd Cut 1/4-20x5/8 T
3	-----	Engine Kohler, Model No. PS58559
4	532137978	Muffler VGT YT Dual Inlet
5	532136215	Tube Manifold LH
6	532136216	Tube Manifold RH
7	532124996	Clip, Fuel Line
8	532122439	Bracket Muffler Mounting
9	817190408	Screw Hex Wsh Thd Cut 1/4-20
10	532143600	Shield Heat LT
11	810040500	Washer Lock Hvy Spr 5/16-18
12	874570512	Screw Hex Skt 5/16-18 unc x 3/4
13	-----	Muffler Gasket (Order from Engine Manufacturer)
14	813280336	Nipple Pipe 3/8 Npt X 4-1/2"
15	813200300	Elbow Std 90 Degree 3/8-18 Npt
16	811050600	Washer Lock Ext Tooth 3/8
17	817490624	Screw Thdrol 3/8-16 x 1-1/2
18	532133747	Shield Heat Mech
19	532105839	Receptacle 1/4 Turn
20	532105838	Retainer 1/4 Turn
21	532110436	Bushing, Snap, Split Blk
22	532123650	Stud 1/4 Turn
23	532128953	Shield Heat Browning LT/YT
24	817021008	Screw Tap Hex #10-24unc X 1/2
25	532132782	Choke Control
26	873610600	Nut, Fin Hex 3/8-24 Unf
29	532137180	Kit Spark Arrestor (Flat Scrn)
31	532141070	Tank Fuel 3 50 Rear
32	532140527	Cap Asm Fuel
33	532123487	Clamp Hose Blk
34	532106082	Pad, Spacer
35	817490512	Screw Thdrol 5/16-18 x 3/4
36	819132012	Washer 13/32 x 1-1/4 x 12 Ga.
37	532008543	Line Fuel 54"
38	-----	Plug Oil Drain (Order From Engine Manufacturer)
39	532109227	Pad, Idler
40	532124952	Bushing
41	532139277	Stem Tank Fuel

**NOTE:** All component dimensions given in U.S. inches.  
1 inch = 25.4 mm

# REPAIR PARTS

18 HP 42" TRACTOR - MODEL NO. YTH180 (954001172A)

## MOWER LIFT ASSEMBLY



# REPAIR PARTS

18 HP 42" TRACTOR - MODEL NO. YTH180 (954001172A)

## MOWER LIFT ASSEMBLY

KEY NO.	PART NO.	DESCRIPTION
1	532136971	Wire Asm Inner W/plunger 20 56
2	532136968	Shaft Asm Lift RH w/Inf
3	532138284	Pin Groove 1 500 Zinc
4	812000002	E Ring #5133-62
5	819211621	Washer 21/32 X 1 x 21 Ga
6	532120183	Bearing Nylon Blk 629 Id
7	532125631	Grip Handle Fluted Blk
8	532124526	Button Plunger Black
10	532122512	Spring Cprsn 3 750 Oiled
11	532139865	Link Lift LH
12	532139866	Link Lift RH
13	532124670	Retainer Spring
15	532127218	Link Front
16	873350800	Nut Jam Hex 1/2-13 Unc
17	532130171	Trunnion Blk Zinc
18	873800800	Nut Lock W/wsh 1/2-13unc
19	532139868	Arm Suspension Rear
20	532124660	Retainer Spring
21	819151216	Washer 15/32 X 3/4 X 16 Ga
22	812000037	Ring Klip #t5304-37
23	532110807	Nut Special
24	819131016	Washer 13/32 X 5/8 X 16 Ga
25	532124874	Spring 2-1/8"
26	876020308	Pin Cotter 3/32 X 1/2
27	532110729	Rod Adj Lift Zinc 9 00 Wrk Lg
28	873350600	Nut Hex Jam 3/8-16 Unc
29	532138057	Knob Inf 3/8-16 Unc Blk W/sym
30	532110810	Trunnion Dp Stop Dbl Thds PLT
31	532140302	Bearing Pvt Lift Spherical
32	873810600	Nut Lock 3/8-24 w/Nylon Insert
35	532120529	Washer Nylon .44 x .75 x .032
36	532138346	Pointer Height Indicator
37	532123935	Plug Hole Blk 1.485/1.515
38	817490512	Screw Thdrol 5/16-18 x 3/4
40	819112410	Washer 11/32 x 1-1/2 x 10 Ga.
41	532123934	Scale Ind. Height Blk

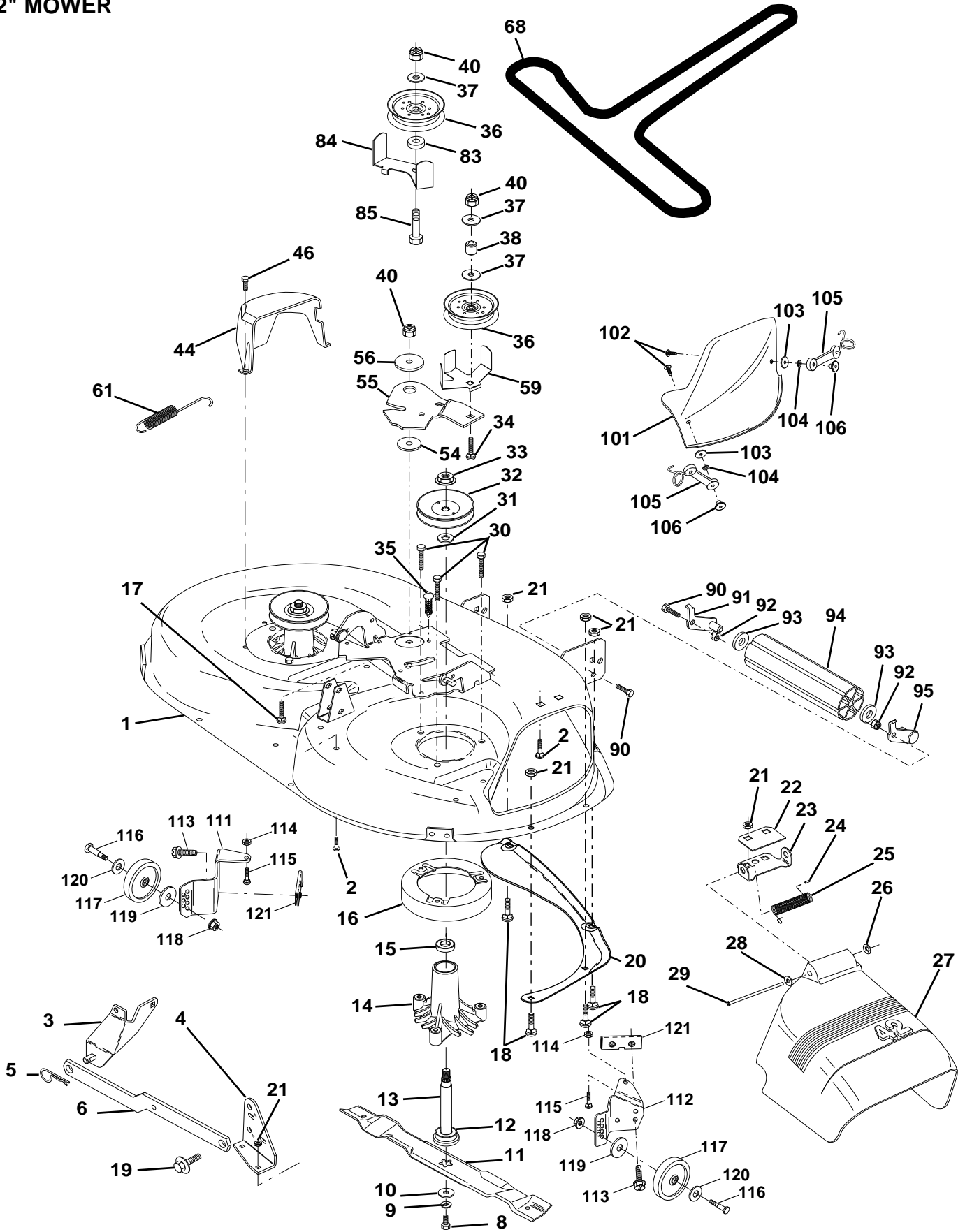
**NOTE:** All component dimensions given in U.S. inches

1 inch = 25.4 mm

# REPAIR PARTS

18 HP 42" TRACTOR - MODEL NO. YTH180 (954001172A)

42" MOWER





# REPAIR PARTS

## 18 HP 42" TRACTOR - MODEL NO. YTH180 (954001172A)

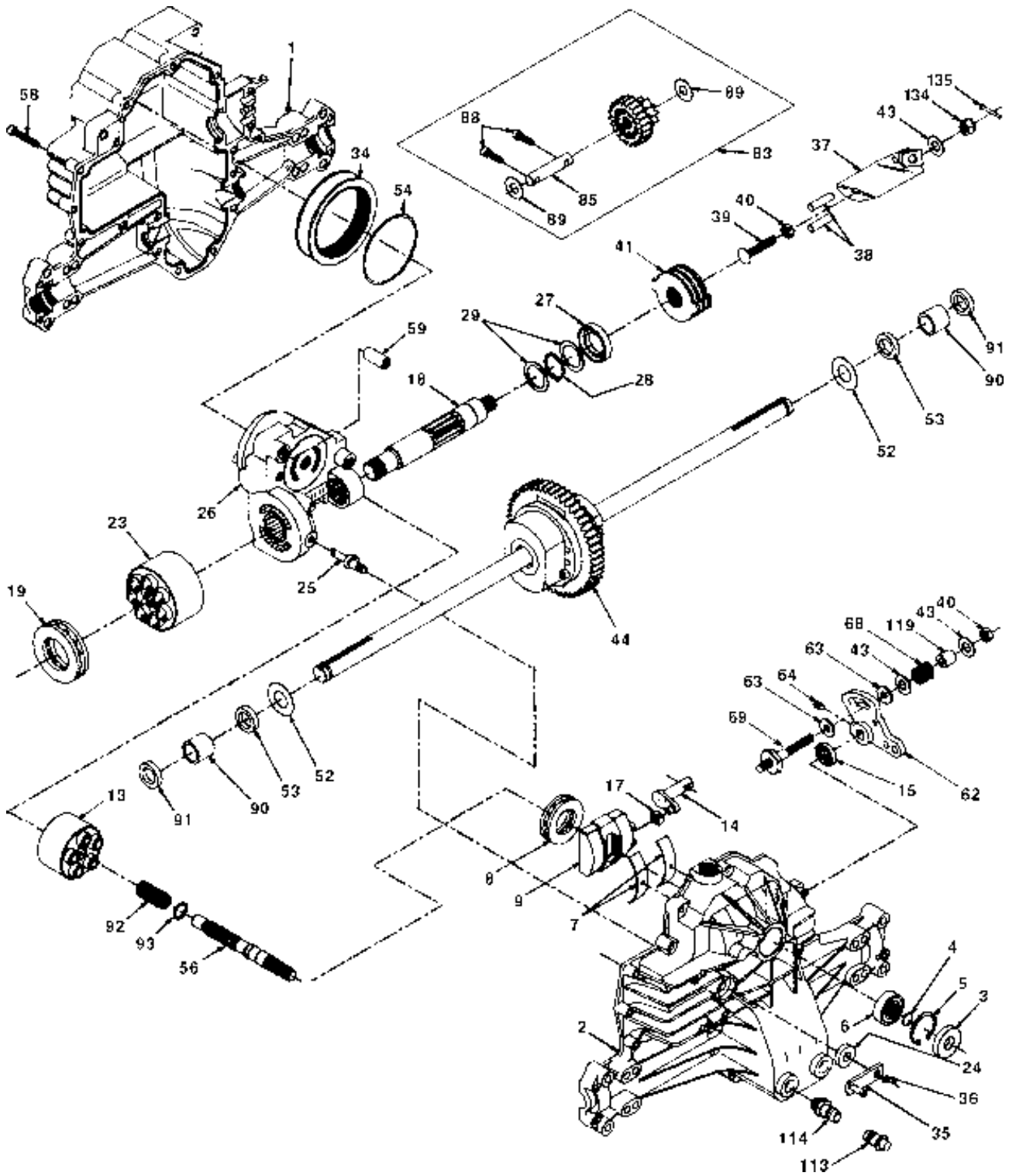
### 42" MOWER

KEY PART NO. NO.	DESCRIPTION	KEY PART NO. NO.	DESCRIPTION
1	532144393 Deck Asm MWR 42"weldment	55	532140084 Arm Idler 42"mower LT/YT
2	872140506 Bolt Rdhd Sqnk 5/16-18unc X3/4	56	532122052 Spacer Retainer Pm Mower
3	532138017 Bracket Asm Fr Sway Bar 38/42	59	532141043 Guard, Belt
4	532138440 Bracket Asm Deck 42"sway Bar	61	532131950 Spring Ext. Elect
5	532124670 Retainer Spring	68	532144200 V-Belt Mower 42" 92 40
6	532130832 Arm Suspension Rear	83	532120958 Washer Sintered
7	873800500 Locknut-hex W/ins 5/16-18unc P	84	532144394 Keeper Belt Idler Fixed
8	532850857 Bolt 3/8-24x1 25 Gr8 Patched	85	872140620 Bolt Carriage 3/8-16 x 2-1/2 Gr. 5
9	810030600 Washer Lock Hvy 3/8 Unplated		
10	532140296 Washer Hard Blade Mower Vented	90	874760616 Bolt Fin Hex 3/8-16UNC X 1
11	532134149 Blade Mower Mulching 42"	91	532132274 Bracket Asm Noseroller LH
12	532129895 Bearing Ball #6204 (Mandrel)	92	873800600 Nut Lock 3/8-16 UNC
13	532137645 Shaft Asm W/lower Bearing	93	819171416 Washer 17/32 X 7/8 X 16 Ga
14	532128774 Housing Mandrel Vented(machd)	94	532132264 Roller Nose 38 & 42
15	532110485 Bearing Ball Mandrel	95	532132273 Bracket Asm Noseroller RH
16	532140329 Stripper Mower Vented	101	532136420 Cover Mulching 42" Blk
17	872110610 Bolt Rdhd Sqnk 3/8-16 X 1-1/4	102	871161010 Screw
18	872140505 Bolt Carr 5/16-18 X 5/8	103	810071000 Washer Lock #10
19	532132827 Bolt Shoulder	104	819061216 Washer #10
20	532136888 Baffle Vortex 42	105	532130758 Latch Asm Bagger
21	873680500 Nut Crownlock 5/16-18 UNC	106	532125004 Nut Weld .327/.304 #10-24
22	532134753 Stiffener Bracket 42"deck	111	532140353 Bracket Wheel Gauge Lh 42" Deck
23	532131267 Bracket Deflector Mower 42"	112	532132262 Bracket Gauge Wheel Rh 42" Deck
24	532105304 Cap Sleeve 80x 112 Blk Mower	113	817490512 Screw Thdrol 5/16 - 18 x 3/4
25	532123713 Spring Torsion Deflector 2 52	114	873510500 Nut Keps 5/16 - 18 UNC
26	532110452 Nut Push Phos & Oil	115	872110504 Bolt Carriage 5/16 - UNC x 1/2
27	532130968 Shield Deflector Mower 42" Blk	116	532137644 Bolt Shld "A" 2.41 "B" 1.66
28	819111016 Washer 11/32 X 5/8 X 16 Ga	117	532105455 Wheel Gauge blk. 4.93
29	532131491 Rod Hinge 42"6 75 Wlg	118	873930600 Nut Centerlock 3/8 - 16 UNC
30	532138776 Screw Thdrol Hex Hd Zinc Mwr.	119	819121414 Washer 3/8 x 7/8 x 14 Ga.
31	532129963 Washer Spacer Mower Vented	120	819171512 Washer 17/32 x 15/16 x 12 Ga.
32	532129861 Pulley Mandrel 42"	121	532143723 Bracket
33	532137266 Nut 9/16top Lock Fling Cntr	--	532145452 Deck Serv 42" Elec Vent (Standard Deck - Order separately nose roller, gauge wheel and mulcher plate components Key Nos. 90-95, 101-106 and 111-121).
34	872110622 Bolt Rdhd 3/8-16uncx2-3/4 Gr5		
35	532133835 Fastner Christmas Tree		
36	532131494 Pulley Idler Flat 3 060		
37	819131316 Washer 13/32 X 13/16 X 16 Ga		
38	532132823 Spacer, Spring, Stop, Idler	--	532130794 Mandrel Assembly (Includes Key Numbers 8-10, 12-15, 31 and 33)
40	873680600 Nut Crownlock 3/8-16 Unc		
44	532140088 Guard Mandrel LH Black		
46	532137729 Screw Thdrol 1/4-20x5/8		
54	532133943 Washer Hardened		

**NOTE:** All component dimensions given in U.S. inches  
1 inch = 25.4 mm

# REPAIR PARTS

18 HP 42" TRACTOR - MODEL NO. YTH180 (954001172A)  
HYDRO-GEAR TRANSAXLE - - MODEL NUMBER 310-0750



# REPAIR PARTS

## 18 HP 42" TRACTOR - MODEL NO. YTH180 (954001172A) HYDRO-GEAR TRANSAXLE - - MODEL NUMBER 310-0750

KEY PART NO. NO.	DESCRIPTION	KEY PART NO. NO.	DESCRIPTION
1 532142930	Housing, Lower	43 532142884	Washer 7/16 x 7/8 x .060
2 532142931	Assembly, Upper Housing	44 532142959	Differential Assembly
3 532142932	Seal, Lip	52 532142960	Washer 3/4 x 1.5 x .03
4 532142928	Ring, Wire Retaining	53 532142961	Seal .75 x 1.25 x .250
5 532142933	Ring, Retaining	54 532142962	O-Ring .103 x 2.987 ID
6 532142934	Bearing, Shaft Ball	56 532142963	Shaft, Input
7 532142935	Bearing, Cradle	58 532142964	Bolt 1/4-20 x 1.38
8 532142936	Bearing, Thrust 30 x 52 x 13	59 532142965	Pin .5 OD x .43 ID x .750
9 532142937	Swashplate, Variable	62 532142966	Arm, Control
13 532142938	Block, Cylinder Assembly	63 532142967	Puck, Dampener
14 532142939	Arm, Trunnion	64 532142920	Set Screw
15 532142940	Seal, Lip	65 532142968	Bolt #8-32 x .875
17 532142941	Guide, Slot	68 532142969	Spring
18 532142942	Shaft, Motor	69 532142970	Socket Set Screw
19 532142943	Bearing, Thrust 42 x 68 x 16	83 532142971	Jack Shaft Assembly
23 532142944	Block, Cylinder Assembly	85 532142972	Jack Shaft
24 532142945	Seal, Lip 10 x 25 x 7	88 532142973	Capscrew
25 532142946	Actuator, Bypass	89 532142974	Washer
26 532142947	Center Section Assembly Kit	90 532142975	Sleeve Bearing
27 532142948	Seal, Lip 26 x 42 x 8	91 532142976	Seal, Wiper
28 532142949	Ring, Retaining	92 532142977	Spring, Block
29 532142950	Washer 26 x 35 x 1	93 532142978	Washer, Block Thrust
34 532142951	Oil Filter Element	95 532142979	Strap, Locking
35 532142952	Arm, Bypass	113 532142917	Cap, Vent Assembly
36 532142953	Ring, Retaining	114 532142918	Fitting, O-Ring Assembly
37 532142954	Arm, Actuating	119 532142980	Spacer
38 532142955	Pin, Actuating	121 532142981	Jam Nut 5/16-24
39 532142956	Bolt 5/16-24 x 1-3/4		
40 532142957	Locknut, Hex 5/16-24 UNJC		
41 532142958	Brake Rotor/Stator Kit		

**NOTE:** All component dimensions given in U.S. inches  
1 inch = 25.4 mm