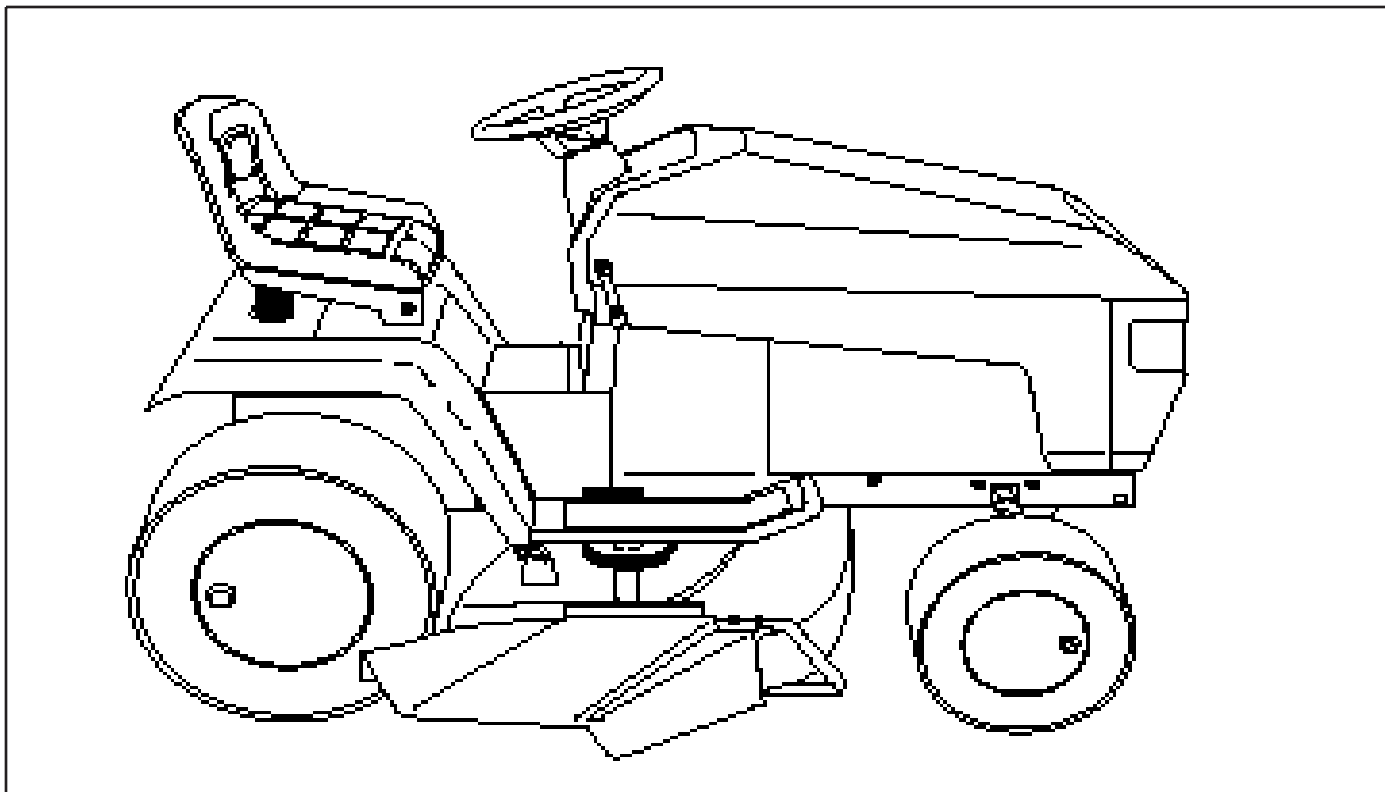


# YTH 180

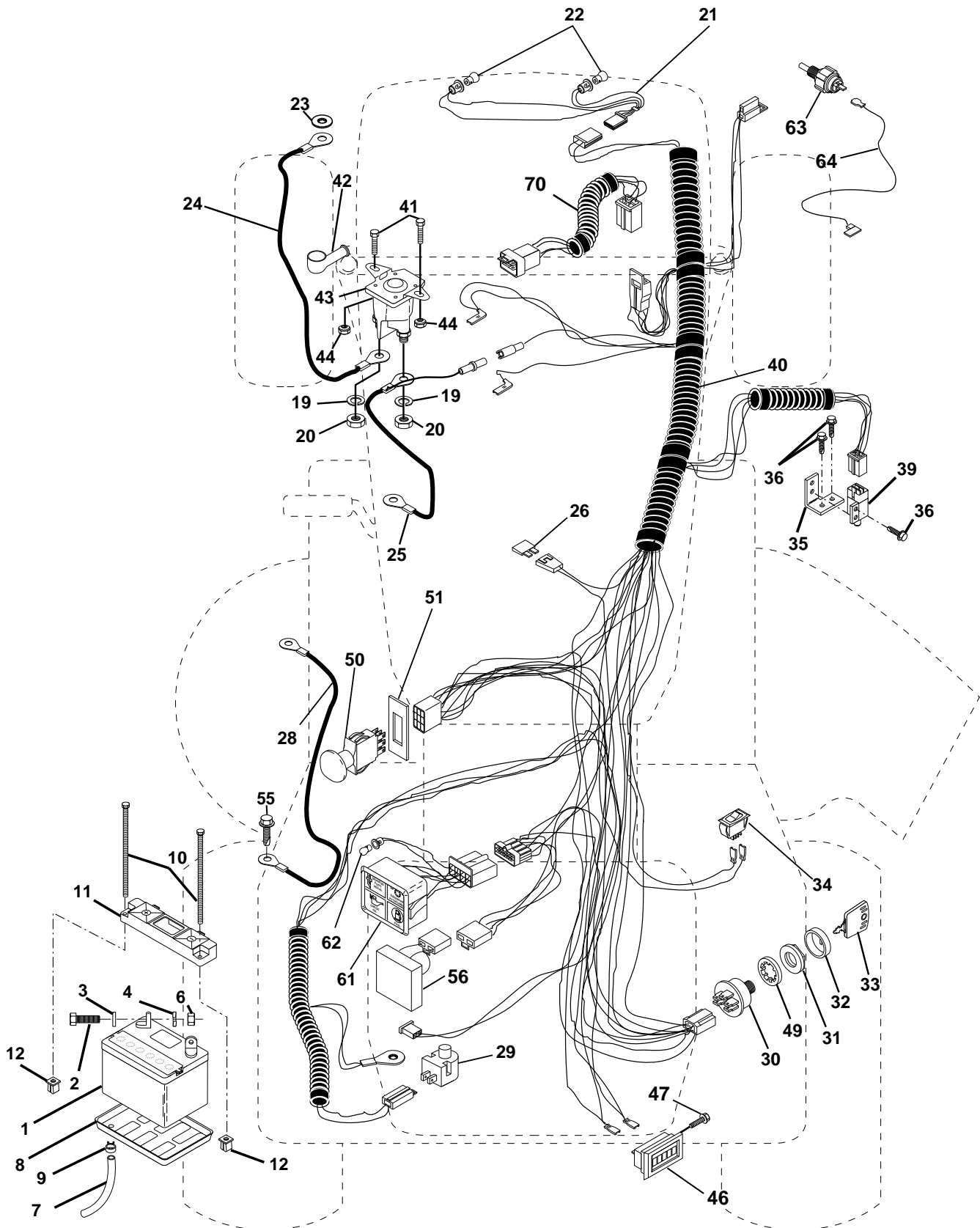


**12.1994**  
**PARTS LISTING**

**954001172B**

# REPAIR PARTS

TRACTOR - MODEL NO. YTH180 (954001172B), PRODUCT NO. 954 00 11-72  
ELECTRICAL



# REPAIR PARTS

TRACTOR - MODEL NO. YTH180 (954001172B), PRODUCT NO. 954 00 11-72

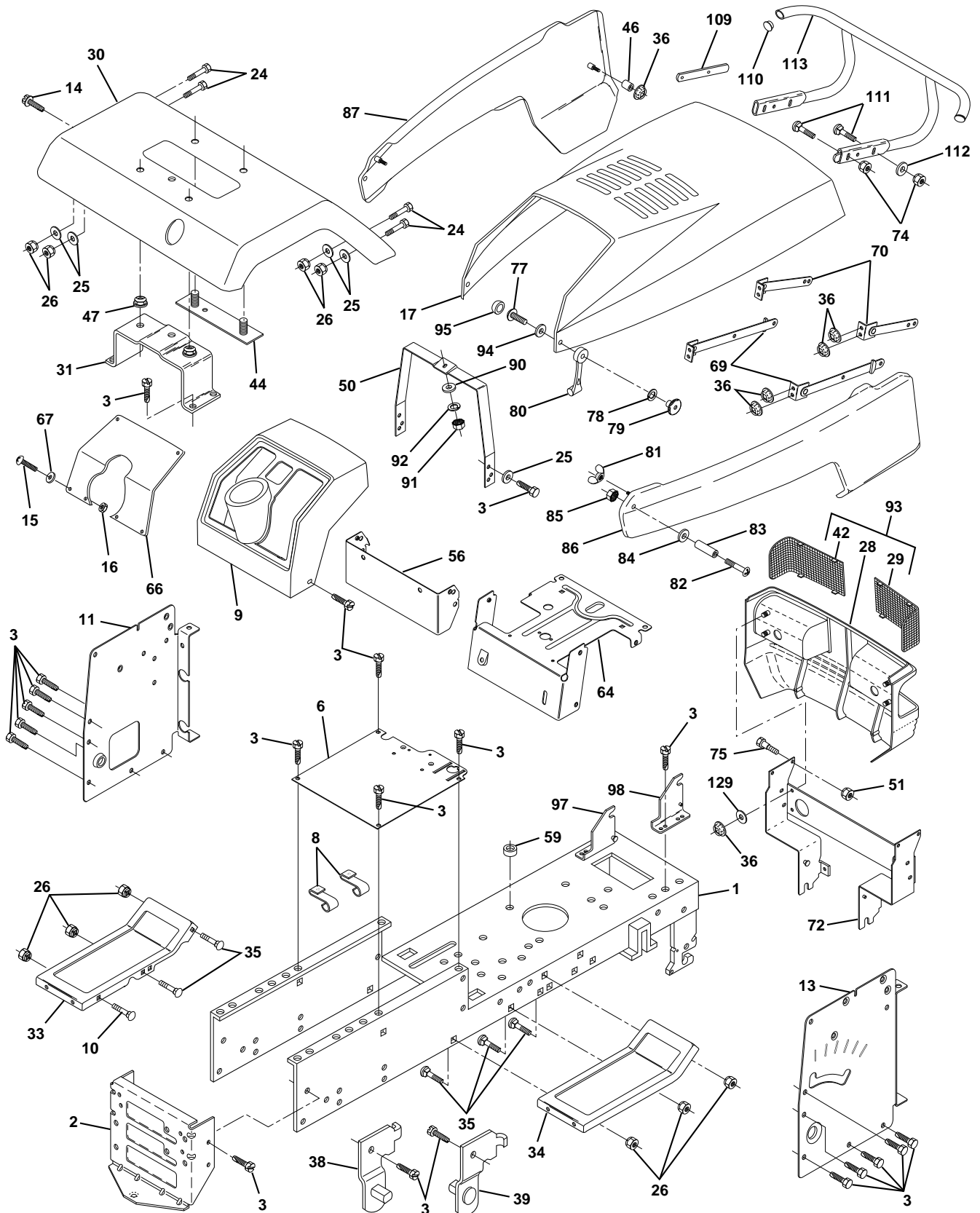
## ELECTRICAL

| KEY NO. | PART NO.  | DESCRIPTION                            |
|---------|-----------|----------------------------------------|
| 1       | 532144926 | Battery                                |
| 2       | 874760412 | Bolt, Hex Head 1/4-20 x 3/4            |
| 3       | 819091016 | Washer 9/32 x 5/8 x 16 Gauge           |
| 4       | 810040400 | Washer, Lock 1/4                       |
| 6       | 873220400 | Nut, Hex 1/4-20                        |
| 7       | 532007697 | Tube, Tray, Battery                    |
| 8       | 532124886 | Tray, Battery                          |
| 9       | 532109596 | Clamp, Hose                            |
| 10      | 532145211 | Bolt, BTR FRT 1/4-20 x 7-1/2 Zinc      |
| 11      | 532145209 | Holddown Battery Dash Mount            |
| 12      | 532145769 | Nut, Push Nylon Battery FRT 1/4"       |
| 19      | 810090400 | Washer, Lock 1/4                       |
| 20      | 873350400 | Nut, Hex, Jam 1/4-20                   |
| 21      | 532136850 | Harness, Socket, Light w/4152J         |
| 22      | 532004152 | Bulb, Light                            |
| 24      | 532124780 | Cable, Battery                         |
| 25      | 532146148 | Cable, Starter, 6 Ga W/16 Wire 22" Red |
| 26      | 532108824 | Fuse                                   |
| 28      | 532145491 | Cable, Battery                         |
| 29      | 532121305 | Switch, Plunger                        |
| 30      | 532144921 | Switch, Ignition                       |
| 31      | 532140400 | Nut, Ignition                          |
| 32      | 532141226 | Cover, Switch, Ignition                |
| 33      | 532140401 | Key, Molded                            |
| 34      | 532110712 | Switch, Light                          |
| 35      | 532108236 | Bracket Switch Interlock               |
| 36      | 817021008 | Screw, Hex Tap #10-24 UNC              |
| 39      | 532109553 | Switch, Interlock (4 Terminal)         |
| 40      | 532146061 | Harness, Ignition                      |
| 41      | 871110412 | Bolt, Hex 1/4-20 x 3/4                 |
| 42      | 532131563 | Cover, Terminal                        |
| 43      | 532145673 | Solenoid                               |
| 44      | 873510400 | Nut, Keps Hex 1/4-20 UNC               |
| 46      | 532110940 | Meter, Hour                            |
| 47      | 817011008 | Screw #10-24 x 1/2                     |
| 49      | 811151000 | Washer Lock Internal Tooth 5/8         |
| 50      | 532140404 | Switch, P.T.O.                         |
| 51      | 532140405 | Ring, Retainer, Pto                    |
| 55      | 817490508 | Screw Thdrol 5/16-18 x 1/2 TYT         |
| 56      | 532127385 | Sensor, Low Voltage                    |
| 61      | 532126519 | Package, Light                         |
| 62      | 532110143 | Bulb, Light Package                    |
| 63      | 532142320 | Switch, Engine Oil Pressure            |
| 64      | 532142321 | Wire Lead Sentry Oil Vanguard          |
| 70      | 532142047 | Harness, Engine                        |

**NOTE:** All component dimensions given in U.S. inches  
1 inch = 25.4 mm

# REPAIR PARTS

TRACTOR - MODEL NO. YTH180 (954001172B), PRODUCT NO. 954 00 11-72  
CHASSIS AND ENCLOSURES



# REPAIR PARTS

TRACTOR - MODEL NO. YTH180 (954001172B), PRODUCT NO. 954 00 11-72

## CHASSIS AND ENCLOSURES

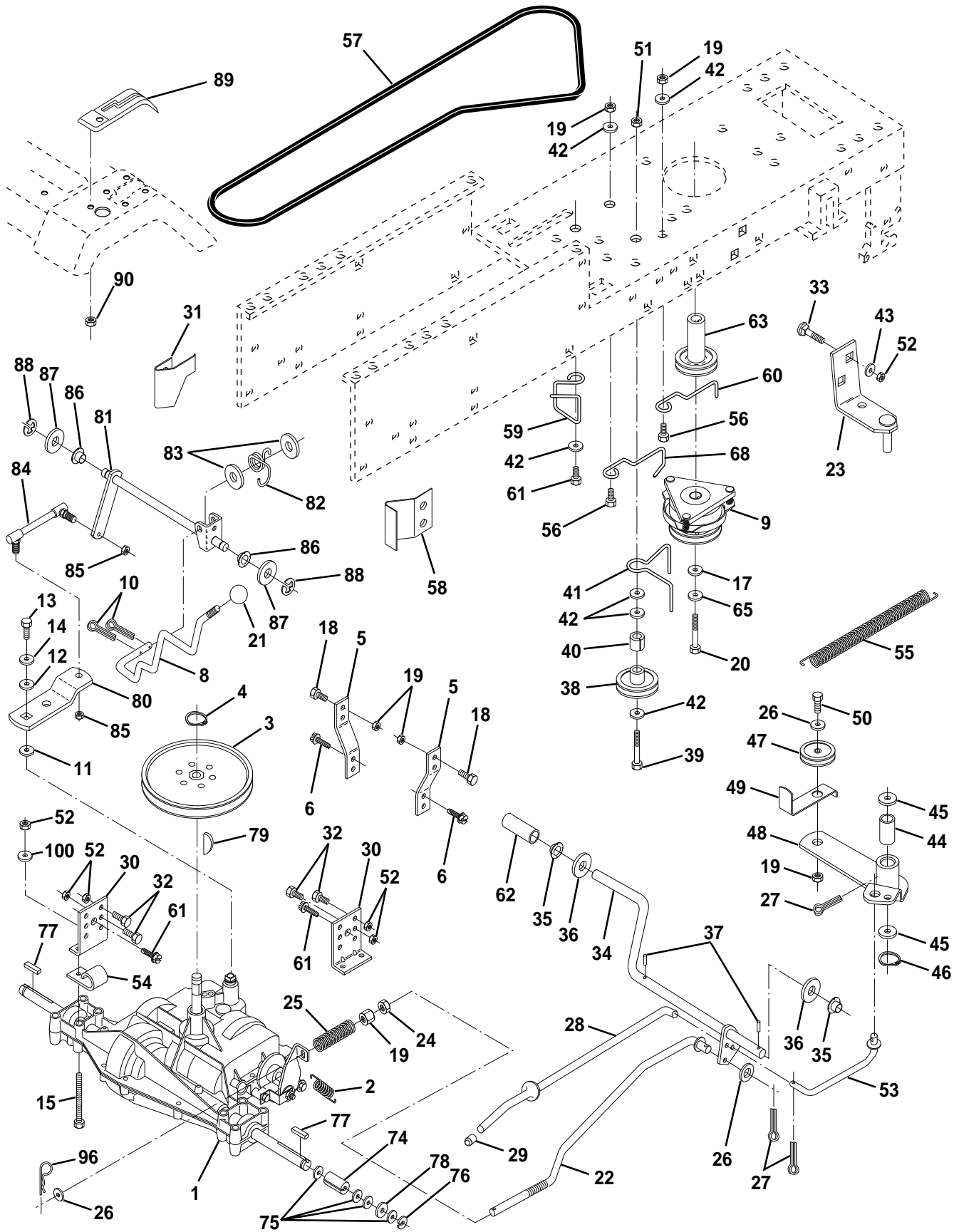
| KEY PART<br>NO. NO. | DESCRIPTION | KEY PART<br>NO. NO.               | DESCRIPTION |           |                                               |
|---------------------|-------------|-----------------------------------|-------------|-----------|-----------------------------------------------|
| 1                   | 532145501   | Chassis                           | 69          | 532106784 | Strap Assembly, Hinge, Rear                   |
| 2                   | 532140356   | Drawbar                           | 70          | 532104618 | Strap Assembly, Hinge, Front                  |
| 3                   | 817490612   | Screw, Thdrol 3/8-16 x 3/4        | 72          | 532124574 | Support Assembly, Grille                      |
| 6                   | 532145206   | Saddle                            | 74          | 873680600 | Nut Crownlock 3/8-16 UNC                      |
| 8                   | 532126471   | Clip, Insulator                   | 75          | 532123481 | Bolt, Shoulder 1/4-20 UNC                     |
| 9                   | 532140452   | Dashboard                         | 77          | 874191008 | Screw, Machine, Cross Pan Head #10-24 x 1/2   |
| 10                  | 872140608   | Bolt, Carriage 3/8-16 UNC x 1     | 78          | 810071000 | Washer, Lock #10                              |
| 11                  | 532145218   | Dash Panel, LH                    | 79          | 532125004 | Nut, Weld                                     |
| 13                  | 532145217   | Dash Panel, RH                    | 80          | 532109808 | Latch, Chute                                  |
| 14                  | 817490608   | Screw, Thd., Roll. 3/8-16 x 1/2   | 81          | 532123198 | Wing Nut, Plastic 1/4-20                      |
| 15                  | 874180512   | Screw, Machine 5/16-18 UNC x 3/4  | 82          | 874981020 | Screw, Machine, Cross Pan Head #10-24 x 1-1/4 |
| 16                  | 873510500   | Nut, Hex, Keps 5/16-18 UNC        | 83          | 532007206 | Spacer, Split #10 x 3/4                       |
| 17                  | 532125454   | Hood                              | 84          | 819070818 | Washer 7/32 x 1/2 x 18 Gauge                  |
| 24                  | 874780616   | Bolt Fin Hex 3/8-16 UNC x 1 Gr. 5 | 85          | 873731000 | Nut, Hex, Keps #10-24 UNC                     |
| 25                  | 819131312   | Washer 13/32 x 13/16 x 12 Gauge   | 86          | 532143365 | Side Panel, RH                                |
| 26                  | 873800600   | Nut Lock Hex W/Ins. 3/8-16 UNC    | 87          | 532143364 | Side Panel, LH                                |
| 28                  | 532127325   | Grille                            | 90          | 819091216 | Washer 9/32 x 3/4 x 16 Gauge                  |
| 29                  | 532124251   | Lens, Headlight, RH, Smoked       | 91          | 873320400 | Nut Fin Hex 1/4-20 UNC                        |
| 30                  | 532141449   | Fender                            | 92          | 810040400 | Washer, Lock, Hvy Hlcl 1/4                    |
| 31                  | 532137113   | Bracket Fender                    | 93          | 532127320 | Grill Assembly                                |
| 33                  | 532147203   | Footrest, LH                      | 94          | 532110357 | Washer, Cap                                   |
| 34                  | 532147202   | Footrest, RH                      | 95          | 532110356 | Cap, Black                                    |
| 35                  | 872110606   | Bolt, Carriage 3/8-16 x 3/4       | 97          | 532110853 | Pivot Bracket Assembly, LH                    |
| 36                  | 532108067   | Nut Pal                           | 98          | 532110852 | Pivot Bracket Assembly, RH                    |
| 38                  | 532139886   | Pivot Bracket Assembly, Rear, LH  | 109         | 532141461 | Bracket Extension Bumper                      |
| 39                  | 532139887   | Pivot Bracket Assembly, Rear, RH  | 110         | 532143679 | Plug Plastic                                  |
| 42                  | 532124250   | Lens, Headlight, LH, Smoked       | 111         | 872140610 | Bolt Carriage 3/8-16 x 1-1/4                  |
| 44                  | 532140675   | Strap, Fender                     | 112         | 819131316 | Washer 13/32 x 13/16 x 16 Ja.                 |
| 46                  | 532127316   | Retainer                          | 113         | 423141460 | Bumper Asm w/Poly Bag                         |
| 47                  | 532105531   | Nut, Push, Nylon                  | 129         | 819091016 | Washer 9/32 x 5/8 x 16 Ga.                    |
| 50                  | 532145205   | Support, Dash                     | --          | 532121794 | Cover Access                                  |
| 51                  | 873800400   | Nut Lock W/Insert 1/4-20 UNC      | --          | 532125085 | Plug, Button                                  |
| 56                  | 532145151   | Extension Dash                    |             |           |                                               |
| 59                  | 532110436   | Bushing, Snap Split               |             |           |                                               |
| 64                  | 532145095   | Dash, Lower                       |             |           |                                               |
| 66                  | 532141626   | Plate, Dash                       |             |           |                                               |
| 67                  | 819111116   | Washer 11/32 x 11/16 x 16 Gauge   |             |           |                                               |

**NOTE:** All component dimensions given in U.S. inches  
1 inch = 25.4 mm

# REPAIR PARTS

TRACTOR - MODEL NO. YTH180 (954001172B), PRODUCT NO. 954 00 11-72

DRIVE



# REPAIR PARTS

TRACTOR - MODEL NO. YTH180 (954001172B), PRODUCT NO. 954 00 11-72

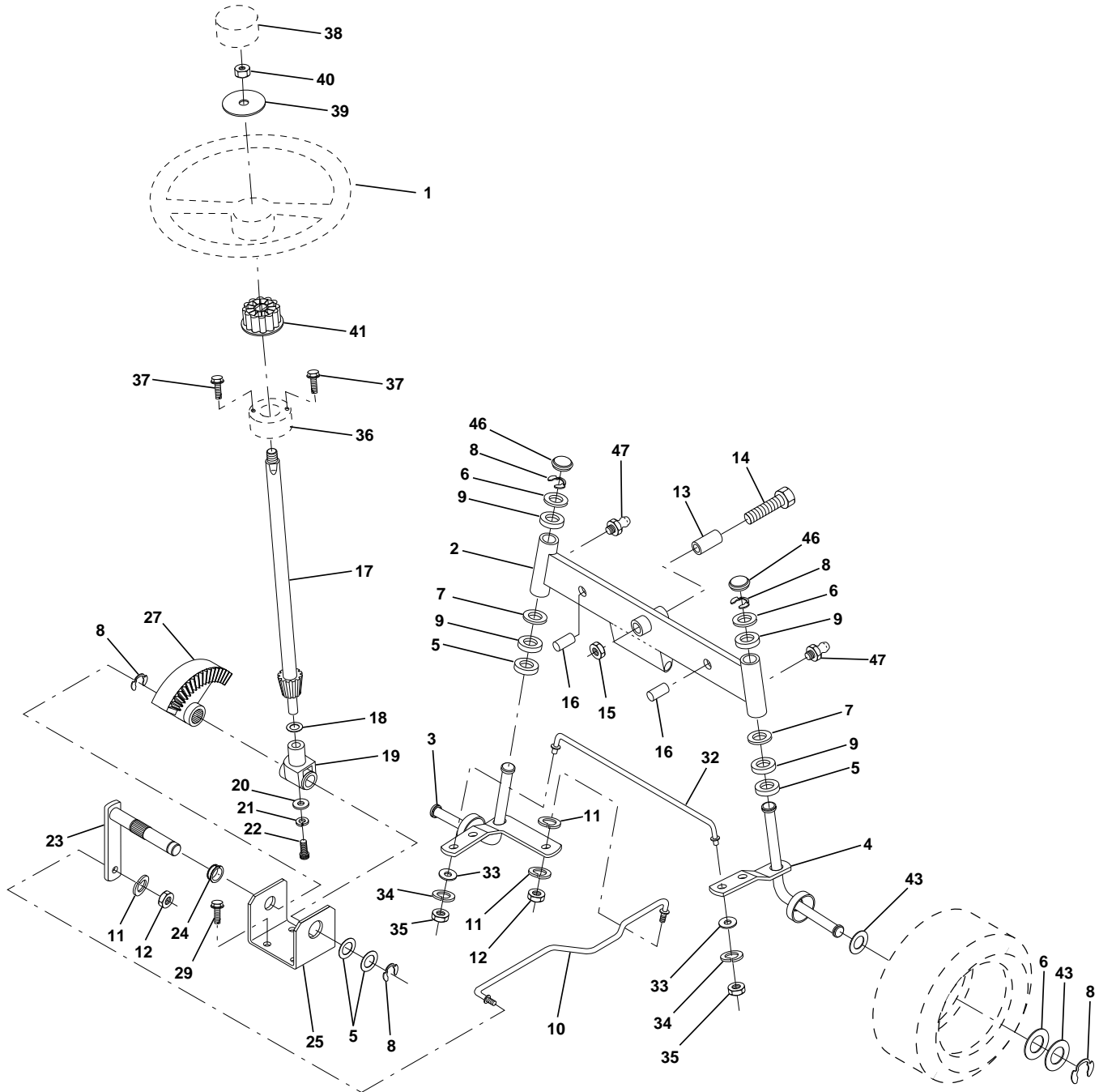
## DRIVE

| KEY NO. | PART NO.  | DESCRIPTION                       | KEY NO. | PART NO.  | DESCRIPTION                        |
|---------|-----------|-----------------------------------|---------|-----------|------------------------------------|
| 1       | 532144436 | Transaxle Assembly                | 55      | 532105709 | Spring, Return, Clutch             |
| 2       | 532142431 | Spring, Return, Brake             | 57      | 532140294 | V-Belt, Ground Drive               |
| 3       | 532143995 | Pulley, Transaxle                 | 58      | 532140470 | Keeper Belt                        |
| 8       | 532141002 | Rod Shift Fender YT               | 59      | 532140312 | Keeper, Center Span                |
| 9       | 532137140 | Clutch, Electric                  | 60      | 532105730 | Keeper Belt Engine                 |
| 10      | 876020416 | Pin Cotter 1/8 x 1 CAD            | 61      | 817490612 | Screw, Thdroll. 3/8-16 x 1 Type TT |
| 15      | 874780544 | Bolt Fin Hex 5/16-18 Unc          | 62      | 532123533 | Cover, Pedal                       |
| 16      | 873800500 | Nut Lock Hex W/Ins. 5/16-18 Unc P | 63      | 532140189 | Pulley, Engine                     |
| 17      | 532126197 | Washer 1-1/2 OD x 15/32 ID x .250 | 65      | 810040700 | Washer                             |
| 19      | 873800600 | Nut Lock Hex W/Wsh 3/8-16 Unc     | 67      | 874760620 | Bolt                               |
| 20      | 871170768 | Bolt, Hex                         | 68      | 532121218 | Keeper Belt Engine                 |
| 21      | 532140845 | Knob, Duckhead 1/2-13             | 69      | 532142432 | Screw Hex Wsh Hi-Lo 1/4-1/2 UNC    |
| 22      | 532145240 | Rod, Brake Hydro                  | 71      | 532140158 | Strap Torque Lh Hydro 18/20" T     |
| 23      | 532137141 | Bracket, Asm Mtg Clutch           | 73      | 532140157 | Strap Torque Rh Hydro 18/20" T     |
| 24      | 873350600 | Nut                               | 74      | 532121199 | Spacer, Split                      |
| 25      | 532106888 | Spring, Brake Rod                 | 75      | 532121749 | Washer 25/32 x 1-1/4 x 16 Gauge    |
| 26      | 819131316 | Washer                            | 76      | 812000001 | E-Ring                             |
| 27      | 876020412 | Pin Cotter 1/8 x 3/4 Cad.         | 77      | 532123583 | Key, Square                        |
| 28      | 532145204 | Rod, Parking Brake                | 78      | 532121748 | Washer 25/32 x 1-5/8 x 16 Gauge    |
| 29      | 532071673 | Cap, Parking Brake                | 81      | 532140154 | Shaft Asm. Cross Hydro 20" Tires   |
| 30      | 532130807 | Bracket, Transaxle                | 82      | 532123782 | Spring Torsion T/A                 |
| 31      | 532127275 | Keeper Belt Lh                    | 83      | 819171216 | Washer 17/32 x 3/4 x 16 Ga.        |
| 32      | 874760512 | Bolt Hex Hd 5/16-18 Unc x 3/4     | 84      | 532140548 | Rod, Tie Hydro 20" Tires           |
| 33      | 872140506 | Bolt Carriage 5/16-18             | 86      | 532071208 | Bushing Rod Steering 629/632 ID    |
| 34      | 532149001 | Shaft, Foot Pedal                 | 87      | 819212016 | Washer 21/32 x 1-1/4 x 16 Ga.      |
| 35      | 532120183 | Bearing, Nylon                    | 88      | 812000008 | Ring Klip #5304-62                 |
| 36      | 819211616 | Washer                            | 89      | 532139989 | Console, Shift                     |
| 37      | 532124963 | Pin, Roll                         | 91      | 874780536 | Bolt Fin Hex 5/16-18 x 2-1/4       |
| 38      | 532123674 | Pulley, Idler, Flat               | 92      | 874780524 | Bolt Fin Hex 5/6-18 Unc x 1-1/2    |
| 39      | 874760644 | Bolt                              | 93      | 532142564 | Line Fuel Hydro 4"                 |
| 40      | 532124965 | Spacer, Split                     | 94      | 532140462 | Fan, Hydro 7"                      |
| 41      | 532109070 | Keeper, Belt Retainer             | 95      | 532144643 | Control Bypass Hydro 18" Tires     |
| 42      | 819131312 | Washer 13/32 x 13/16 x 12 Gauge   | 96      | 532124788 | Retainer Spring 1" Zinc/Cad        |
| 43      | 819111012 | Washer 11/32 x 5/8 x 12 Ga.       | 97      | 532140469 | Keeper Belt Rh Hydro 0750. 18/20"  |
| 44      | 532105706 | Bearing, Nylon                    | 98      | 873510600 | Nut Keps Hex 3/8-16 Unc            |
| 45      | 532110812 | Washer, Hardened                  | 100     | 819111216 | Washer 11/32 x 3/4 x 16 Ga.        |
| 46      | 812000039 | Ring, Klip                        | 102     | 532141322 | Washer Belleville .501D x 1.50D    |
| 47      | 532127783 | Pulley, Idler, V-Groove           | 103     | 73940800  | Nut Hex Jam toplock 1/2-20 UNF     |
| 48      | 532123789 | Bellcrank Assembly                | 104     | 532140156 | Arm, Control Hydro                 |
| 49      | 532123205 | Retainer, Belt                    | 105     | 871070516 | Screw Cap Hex 5/16 x 18 x 1        |
| 50      | 874760624 | Bolt                              | 106     | 874780520 | Bolt Fin Hex 5/16-18 Unc x 1-1/4   |
| 51      | 873680600 | Nut                               |         |           |                                    |
| 52      | 873680500 | Nut, Crownlock 5/16-18            |         |           |                                    |
| 53      | 532105710 | Link, Clutch                      |         |           |                                    |

**NOTE:** All component dimensions give in U.S. inches.  
1 inch = 25.4 mm.

# REPAIR PARTS

TRACTOR - MODEL NO. YTH180 (954001172B), PRODUCT NO. 954 00 11-72  
STEERING ASSEMBLY





# REPAIR PARTS

## TRACTOR - MODEL NO. YTH180 (954001172B), PRODUCT NO. 954 00 11-72 STEERING ASSEMBLY

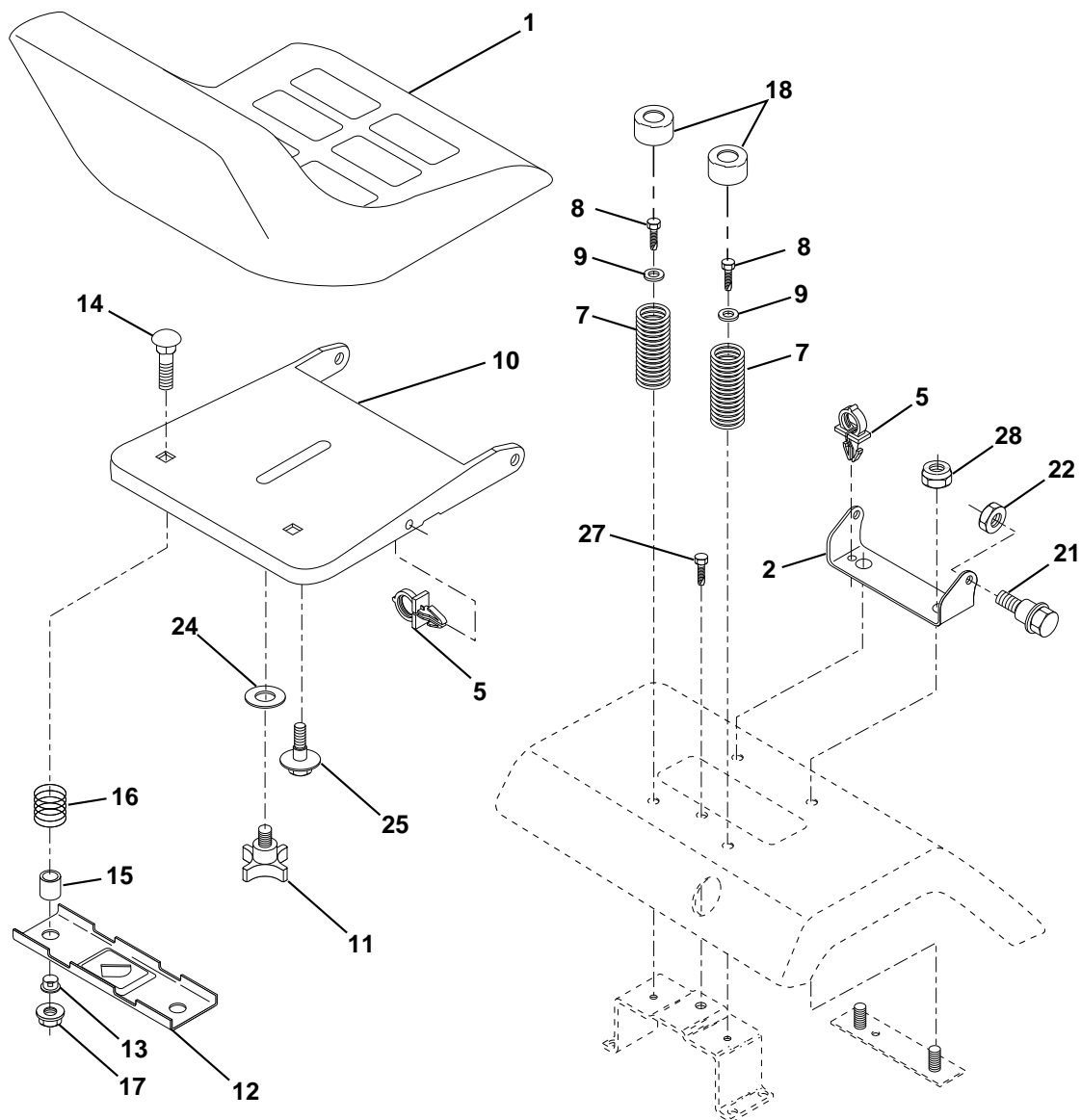
| KEY PART<br>NO. | PART<br>NO. | DESCRIPTION                      |
|-----------------|-------------|----------------------------------|
| 1               | 532124415   | Wheel Steering Auto Grey         |
| 2               | 532142033   | Axle Asm Fr LT W/gzks 38/42      |
| 3               | 532135227   | Spindle Asm LH                   |
| 4               | 532135228   | Spindle Asm RH                   |
| 5               | 532124931   | Bearing Race Thrust Harden       |
| 6               | 532121748   | Washer 25/32 X 1-5/8 X 16 Ga     |
| 7               | 819272016   | Washer 27/32 X 1-1/4 X 16 Ga     |
| 8               | 812000029   | Ring Klip #t5304-75              |
| 9               | 532124937   | Bearing Col Strg Blk             |
| 10              | 532130468   | Link Drag Sol Ball Jt 20 064     |
| 11              | 810040600   | Washer Lock Hvy Hlcl Spr 3/8     |
| 12              | 873610600   | Nut Fin Hex 3/8-24 Unf           |
| 13              | 532110438   | Spacer Bearing Axle Front        |
| 14              | 874011056   | Bolt Hex 5/8-11 Unc X 3-1/2      |
| 15              | 873901000   | Nut Lock Flange 5/8-11 Unc       |
| 16              | 532132624   | Pin Axle 5/8 X 1 55/1 54 Lg      |
| 17              | 532128762   | Shaft Asm Strg 20 31 x 3/4 YP YT |
| 18              | 532057079   | Washer Thrust 515x 750x 033      |
| 19              | 532124035   | Support Shaft                    |
| 20              | 532126684   | Washer Shim 1/4 X 5/8 X 062      |
| 21              | 810040400   | Washer Lock Hvy Helical 1/4      |
| 22              | 871070410   | Screw Hex Socket 1/4-20 X 5/8    |
| 23              | 532127501   | Shaft Asm Pittman                |
| 24              | 532109816   | Nyliner Snap In                  |
| 25              | 532124036   | Bracket Steering                 |
| 27              | 532136874   | Gear Sector                      |
| 29              | 817490612   | Screw Thdrol 3/8-16x3/4 Ty-tt    |
| 32              | 532130467   | Rod Tie Wire Form 19 75 Elec     |
| 33              | 819111216   | Washer 11/32 x 3/4 x 16 Ga.      |
| 34              | 810040500   | Washer, Lock Hvy Hlcl Spr 5/16   |
| 35              | 873810500   | Locknut 5/16-24 Unf              |
| 36              | 532145207   | Bushing Strg                     |
| 37              | 817541008   | Screw Slftp #10-24 X 1/2 TT-B    |
| 38              | 532124416   | Insert Cap Strg Wh Aut Hus Gry   |
| 39              | 532100712   | Washer 53 X 2 25 X 160 Zinc      |
| 40              | 873940800   | Nut Hex Jam Toplock 1/2-20 Unf   |
| 41              | 532100711   | Adapter Wheel Strg 758/ 753id    |
| 43              | 532121749   | Washer 25/32 X 1 1/4 X 16 Ga     |
| 46              | 532121232   | Cap Spindle Fr Top Blk           |
| 47              | 532124836   | Fitting Grease                   |

**NOTE:** All component dimensions given in U.S. inches  
1 inch = 25.4 mm

# REPAIR PARTS

TRACTOR - MODEL NO. YTH180 (954001172B), PRODUCT NO. 954 00 11-72

## SEAT ASSEMBLY



| KEY NO. | PART NO.  | DESCRIPTION                     |
|---------|-----------|---------------------------------|
| 1       | 532124186 | Seat V-550 Gry/blk Std          |
| 2       | 532140551 | Bracket Pivot Seat              |
| 5       | 532145006 | Clip, Push-In Hinged            |
| 7       | 532124181 | Spring Seat Cprsn 2 250 Blk Zi  |
| 8       | 817490508 | Screw Hwsh Thdrol 5/16-18 x 1/2 |
| 9       | 819131614 | Washer 13/32 X 1 X 14 Ga        |
| 10      | 532140552 | Pan Seat                        |
| 11      | 532120068 | Knob Seat 1/2-13unc Blk         |
| 12      | 532121246 | Bracket Mounting Switch         |
| 13      | 532121248 | Bushing Snap Blk Nyl 50 Id      |
| 14      | 872050411 | Bolt Rdhd Sht Nk 1/4-20x1-3/8   |
| 15      | 532121249 | Spacer Split 28x 88 Yel Zinc    |

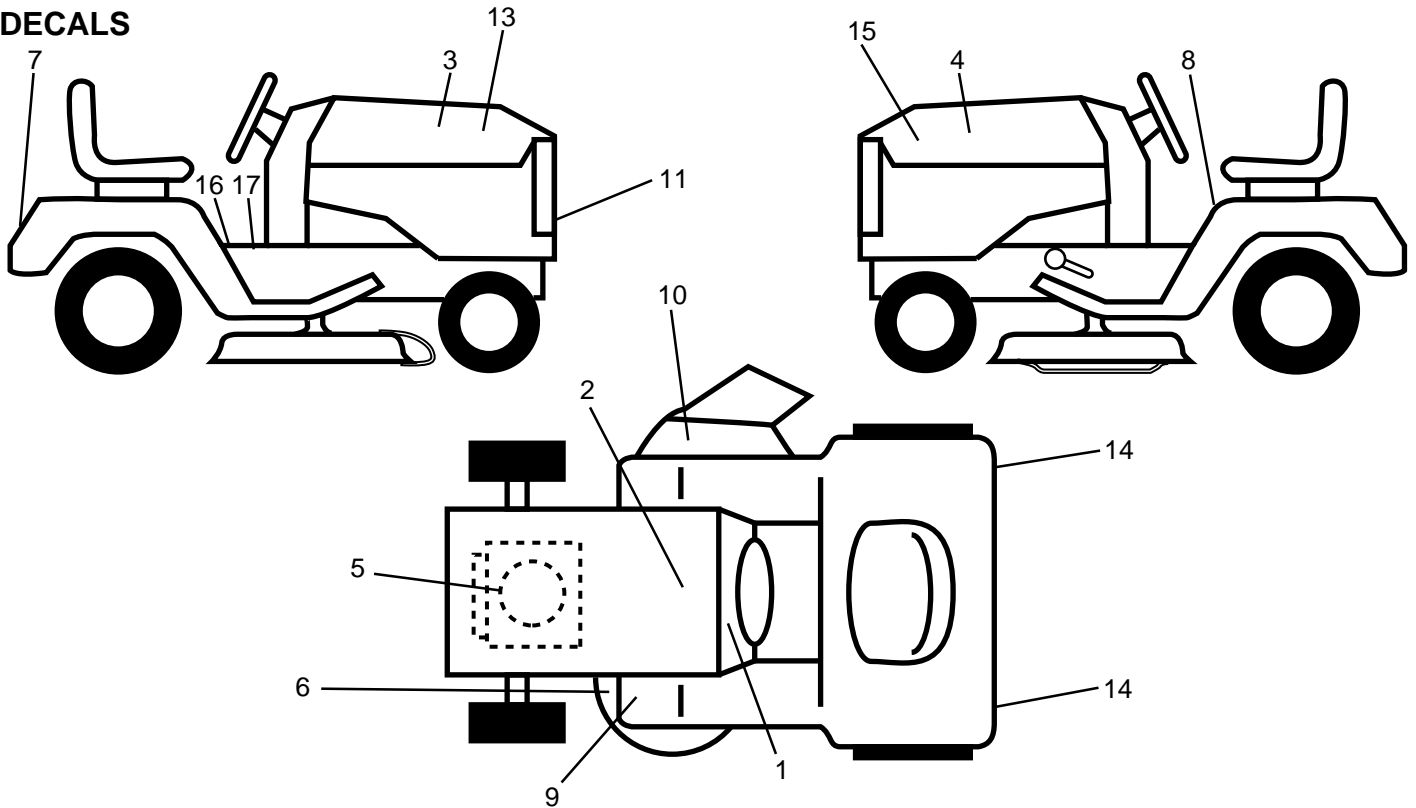
| KEY NO. | PART NO.  | DESCRIPTION                    |
|---------|-----------|--------------------------------|
| 16      | 532123740 | Spring Cprsn 1 310 Blk Pnt     |
| 17      | 532123976 | Nut Lock 1/4 Lge Flg Gr 5 Zinc |
| 18      | 532124238 | Cap Spring Seat                |
| 21      | 532139888 | Bolt Shoulder 5/16-18 Unc Blkz |
| 22      | 873680500 | Nut Crown Lock 5/16-18         |
| 24      | 819171912 | Washer 17/32 X 1-3/16 X 12 Ga  |
| 25      | 532127018 | Bolt Shoulder 5/16-18 X 62     |
| 27      | 817490608 | Screw Thdrol 3/8-36 x 1/2      |
| 28      | 873680600 | Nut Crownlock 3/8-16 UNC       |

**NOTE:** All component dimensions given in U.S. inches  
1 inch = 25.4 mm

# REPAIR PARTS

TRACTOR - MODEL NO. YTH180 (954001172B), PRODUCT NO. 954 00 11-72

## DECALS

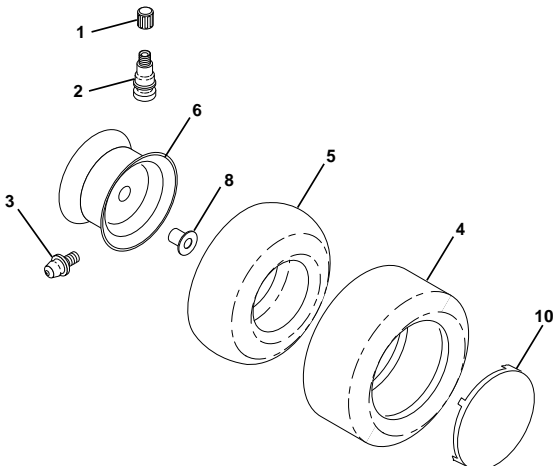


| KEY NO. | PART NO.  | DESCRIPTION                      | KEY NO. | PART NO.  | DESCRIPTION                     |
|---------|-----------|----------------------------------|---------|-----------|---------------------------------|
| 1       | 532138956 | Decal Instruction Dash Eng/fr    | 15      | 532140729 | Decal Hood RH Husqvarna         |
| 2       | 532145005 | Decal Bat DAN/POI P/L Symbols    | 16      | 532142337 | Decal Sdl Cold Start Hyd Eng/Fr |
| 3       | 532140855 | Decal Hood RH Husq YT 180 Insert | 17      | 532140837 | Decal Brake Parking Saddle      |
| 4       | 532140854 | Decal Hood LH Husq YT 180 Insert | --      | 532138311 | Decal Lift Handle(Lift Handle)  |
| 5       | 532132507 | Decal Engine                     | --      | 532142341 | Decal Drawbar Cntrl Mvt Hyd LT  |
| 6       | 532136832 | Decal V-Belt Sch                 | --      | 532145246 | Pad Footrest                    |
| 7       | 532131582 | Decal Fender Husqvarna           | --      | 532147875 | Manual Owners, English          |
| 8       | 532133795 | Decal Caution Fender Eng/fr      | --      | 532147877 | Manual Owners, French           |
| 9       | 532101892 | Decal Clutch/brake Eng/fr        | --      | 532145247 | Attache du repose-pied          |
| 10      | 532137259 | Decal Warning MULT-LANGUAGE      |         |           |                                 |
| 11      | 532125989 | Decal Grille Husqvarna           |         |           |                                 |
| 13      | 532140728 | Decal Hood RH Husqvarna          |         |           |                                 |
| 14      | 532106202 | Reflector Tail Light Red/amber   |         |           |                                 |

Available accessories not included with tractor:

- LBD48 42" Snow blade
- LC05 33 lb. Weights (pairs)
- LSB42 40" Snow Thrower
- C42 42" Bagger
- LC06 Tire Chains

## WHEELS & TIRES

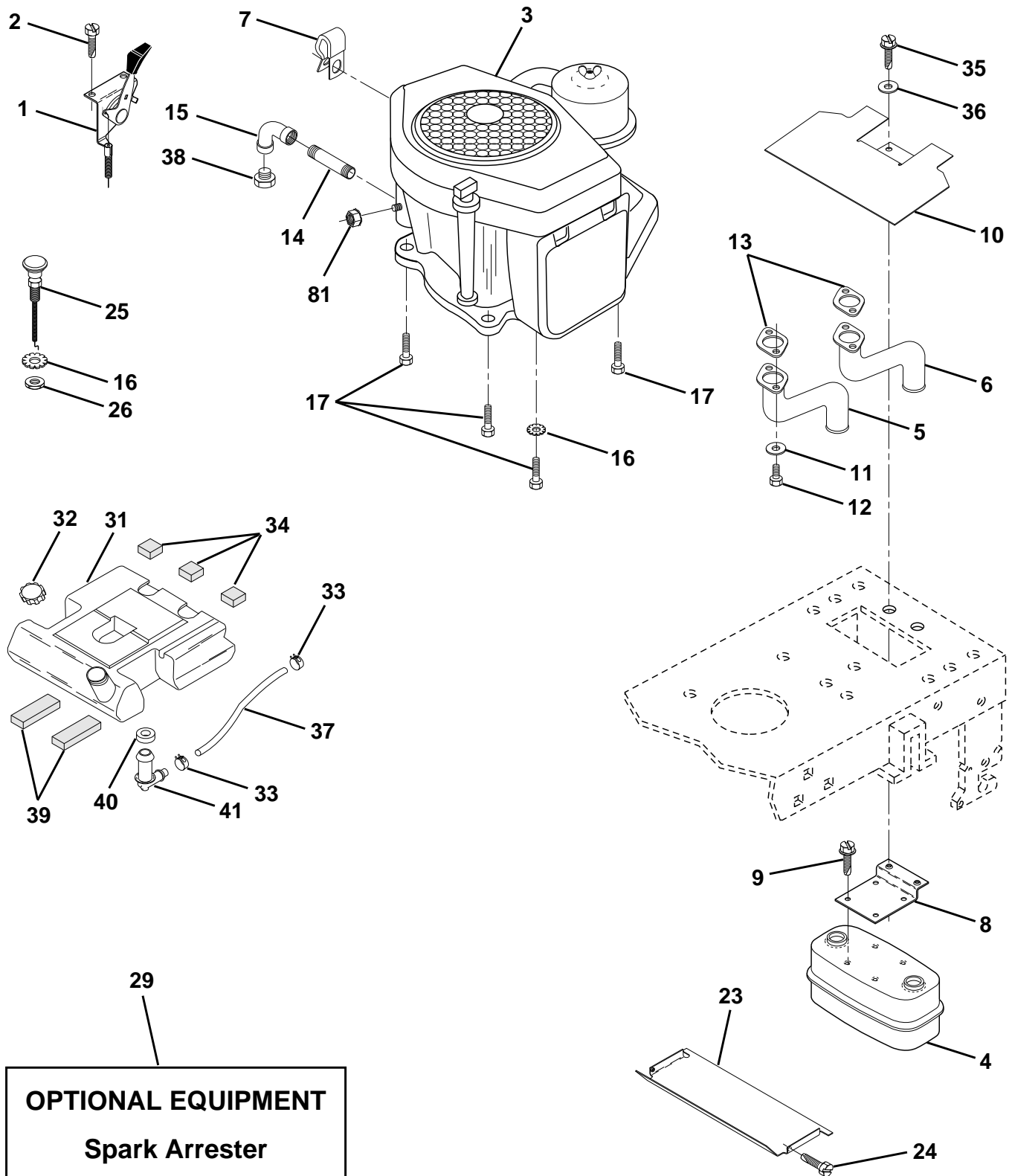


| KEY NO. | PART NO.  | DESCRIPTION                       |
|---------|-----------|-----------------------------------|
| 1       | 532059192 | Cap Valve Tire                    |
| 2       | 532065139 | Stem Valve                        |
| 3       | 532124957 | Fitting Grease (Front Wheel Only) |
| 4       | 532106222 | Tire F Ts 15 X 6 0 - 6 Service    |
|         | 532122082 | Tire R Ts 20 X 10 - 8 Service     |
| 5       | 532059904 | Tube Front (Service Item Only)    |
|         | 532124926 | Tube Rear (Service Item Only)     |
| 6       | 532141447 | Rim Asm 8"rear White Service      |
|         | 532141446 | Rim Asm 6" front White Service    |
| 8       | 532124959 | Bearing Flange (Front Wheel Only) |
| 10      | 532124577 | Cover Wheel 6"white               |
|         | 532124578 | Cover Wheel 8"white               |
| --      | 144334    | Sealant, Tire (10 oz. Tube)       |

**NOTE:** All component dimensions given in U.S. inches  
1 inch = 25.4 mm

# REPAIR PARTS

TRACTOR - MODEL NO. YTH180 (954001172B), PRODUCT NO. 954 00 11-72  
ENGINE



# REPAIR PARTS

TRACTOR - MODEL NO. YTH180 (954001172B), PRODUCT NO. 954 00 11-72

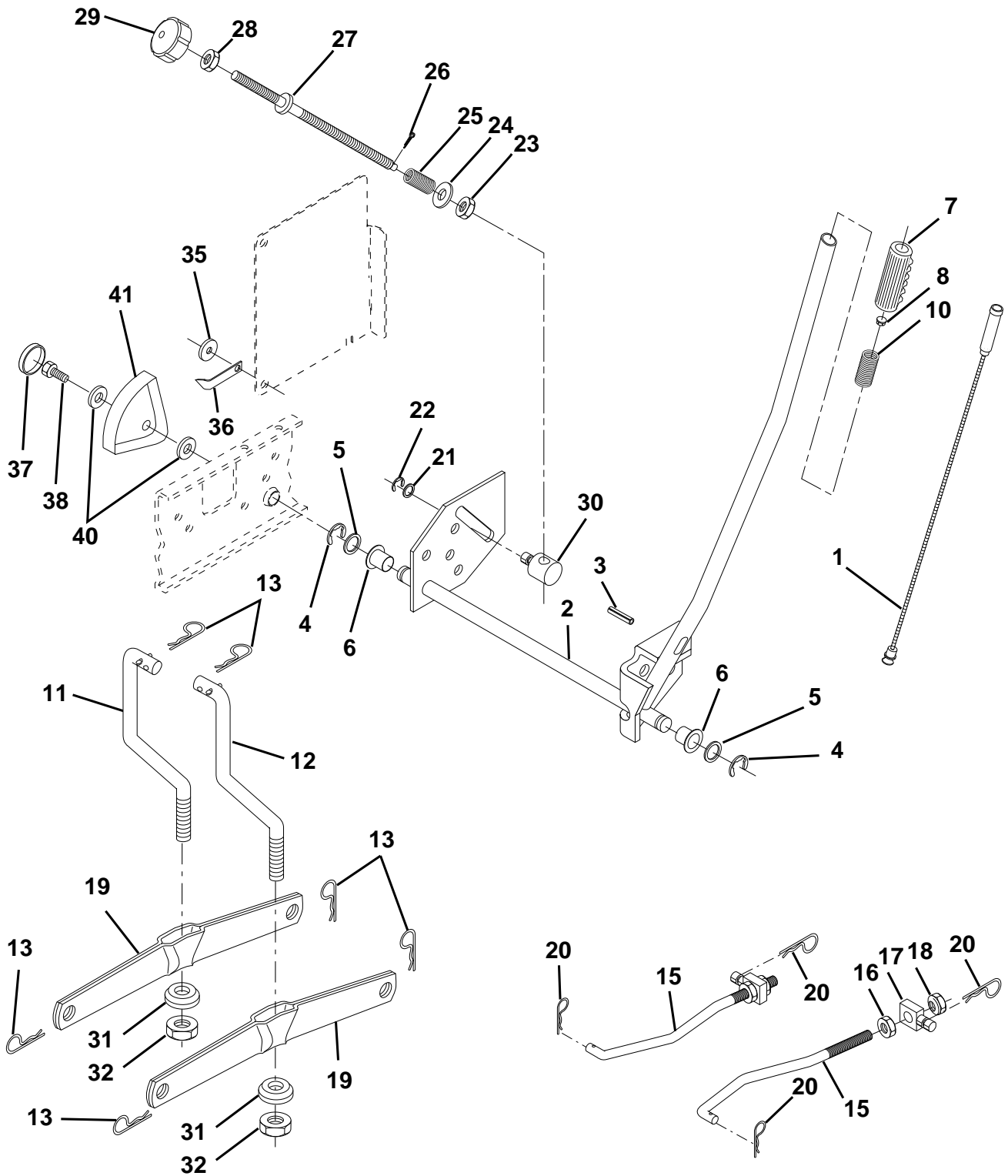
## ENGINE

| KEY PART<br>NO. NO. | DESCRIPTION                                        |
|---------------------|----------------------------------------------------|
| 1 532137214         | Control RH Blk Flg 37 88                           |
| 2 817720410         | Screw Hex Thd Cut 1/4-20x5/8 T                     |
| 3 -----             | Engine Kohler Model No. MV18                       |
| 4 532137978         | Muffler VGT YT Dual Inlet                          |
| 5 532136215         | Tube Manifold LH                                   |
| 6 532136216         | Tube Manifold RH                                   |
| 7 532124996         | Clip Line Fuel 13/32 Mtg Hole                      |
| 8 532122439         | Bracket Muffler Mounting                           |
| 9 817190408         | Screw Hex Wsh Thd Cut 1/4-20                       |
| 10 532145552        | Shield Heat LT                                     |
| 11 810040500        | Washer, Lock Hvy HLCL Spr. 5/16                    |
| 12 874570512        | Bolt, Hex SKT 5/16-18 x 3/4                        |
| 13 -----            | Muffler Gasket (Order from Engine<br>Manufacturer) |
| 14 813280336        | Nipple Pipe 3/8 Npt X 4-1/2"                       |
| 15 813200300        | Elbow Std 90 Degree 3/8-18 Npt                     |
| 16 811050600        | Washer Lock Ext Tooth 3/8                          |
| 17 817490624        | Screw thdrol 3/8-16 x 1-1/2 TT                     |
| 23 532128953        | Shield Heat Browning LT/YT                         |
| 24 817021008        | Screw Tap Hex #10-24unc X 1/2                      |
| 25 532132782        | Choke Control                                      |
| 26 873610600        | Nut, Fin Hex 3/8-24 Unf                            |
| 29 532137180        | Kit Spark Arrestor (Flat Scrn)                     |
| 31 532141070        | Tank Fuel 3 50 Rear                                |
| 32 532140527        | Cap Asm Fuel                                       |
| 33 532123487        | Clamp Hose Blk                                     |
| 34 532106082        | Pad, Spacer                                        |
| 35 817490512        | Screw Thdrol 5/16-18 x 3/4                         |
| 36 819132012        | Washer 13/32 x 1-1/4 x 12 Ga.                      |
| 37 532008543        | Line Fuel 54"                                      |
| 38 -----            | Plug Oil Drain (Order From Engine<br>Manufacturer) |
| 39 532109227        | Pad, Idler                                         |
| 40 532124952        | Bushing                                            |
| 41 532139277        | Stem Tank Fuel                                     |
| 81 873510400        | Nut Keps Hex 1/4-20 UNC                            |

**NOTE:** All component dimensions given in U.S. inches  
1 inch = 25.4 mm

# REPAIR PARTS

TRACTOR - MODEL NO. YTH180 (954001172B), PRODUCT NO. 954 00 11-72  
MOWER LIFT ASSEMBLY



# REPAIR PARTS

TRACTOR - MODEL NO. YTH180 (954001172B), PRODUCT NO. 954 00 11-72  
MOWER LIFT ASSEMBLY

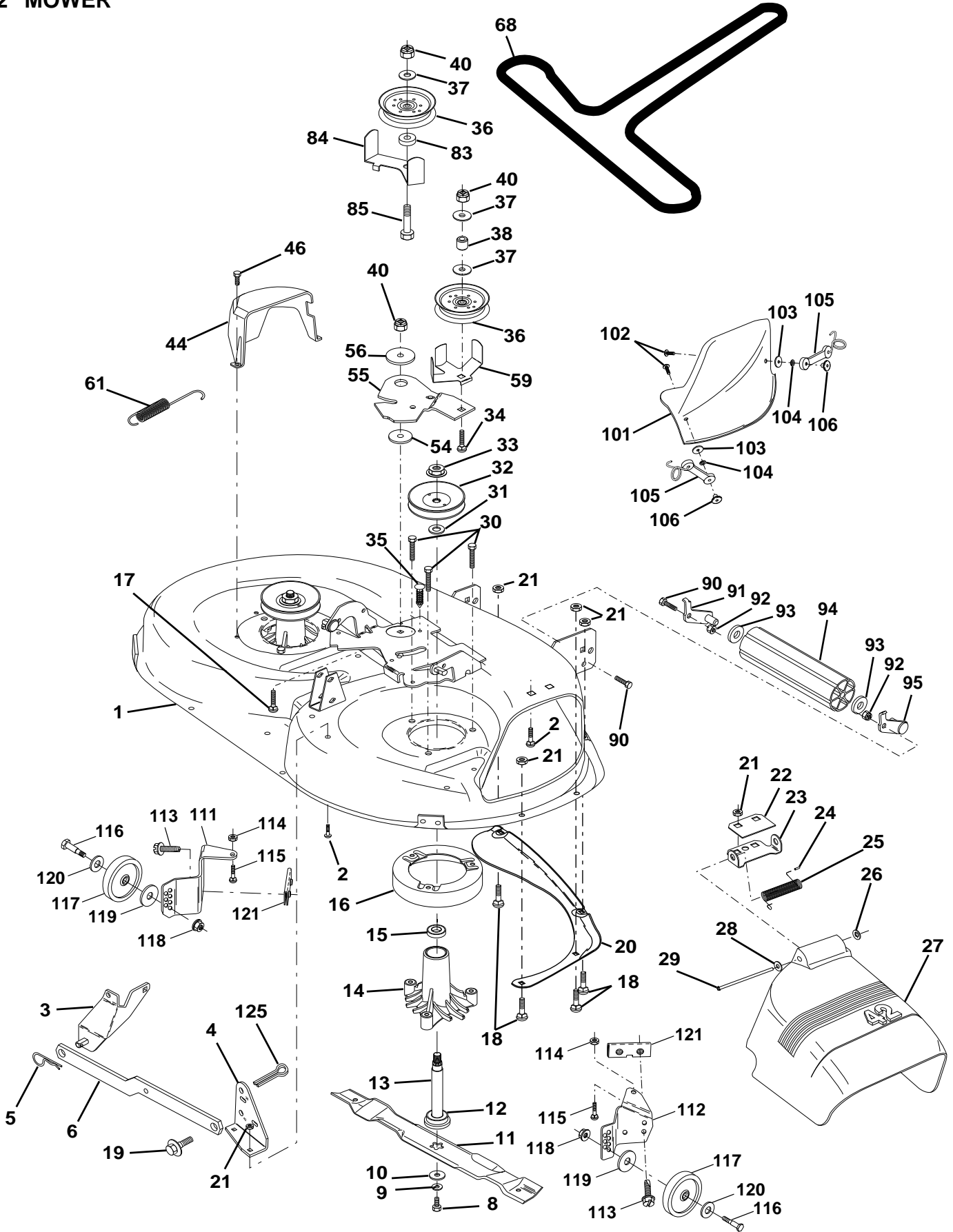
| KEY NO. | PART NO.  | DESCRIPTION                    |
|---------|-----------|--------------------------------|
| 1       | 532136971 | Wire Asm Inner W/plunger 20 56 |
| 2       | 532136968 | Shaft Asm Lift RH w/Inf        |
| 3       | 532138284 | Pin Groove 1 500 Zinc          |
| 4       | 812000002 | E Ring #5133-62                |
| 5       | 819211621 | Washer 21/32 X 1 X 21 Ga       |
| 6       | 532120183 | Bearing Nylon Blk 629 Id       |
| 7       | 532125631 | Grip Handle Fluted Blk         |
| 8       | 532124526 | Button Plunger Black           |
| 10      | 532122512 | Spring Cprsn 3 750 Oiled       |
| 11      | 532139865 | Link Lift LH                   |
| 12      | 532139866 | Link Lift RH                   |
| 13      | 532124670 | Retainer Spring                |
| 15      | 532127218 | Link Front                     |
| 16      | 873350800 | Nut Jam Hex 1/2-13 Unc         |
| 17      | 532130171 | Trunnion Blk Zinc              |
| 18      | 873800800 | Nut Lock W/wsh 1/2-13unc       |
| 19      | 532139868 | Arm Suspension Rear            |
| 20      | 532124660 | Retainer Spring                |
| 21      | 819151216 | Washer 15/32 X 3/4 X 16 Ga     |
| 22      | 812000037 | Ring Klip #t5304-37            |
| 23      | 532110807 | Nut Special                    |
| 24      | 819131016 | Washer 13/32 X 5/8 X 16 Ga     |
| 25      | 532137150 | Spring Compression Inf. Hgt.   |
| 26      | 876020308 | Pin Cotter 3/32 X 1/2          |
| 27      | 532137167 | Rod Adj Lift Zinc 9 00 Wrk Lg  |
| 28      | 873350600 | Nut Hex Jam 3/8-16 Unc         |
| 29      | 532138057 | Knob Inf 3/8-16 Unc Blk W/sym  |
| 30      | 532110810 | Trunnion Dp Stop Dbl Thds PLT  |
| 31      | 532140302 | Bearing Pvt Lift Spherical     |
| 32      | 873540600 | Nut Crownlock 3/8-24           |
| 35      | 532120529 | Washer Nylon .44 x .75 x .032  |
| 36      | 532138346 | Pointer Height Indicator       |
| 37      | 532123935 | Plug Hole Blk 1.485/1.515      |
| 38      | 817490512 | Screw Thdrol 5/16-18 x 3/4 TYT |
| 40      | 819112410 | Washer 11/32 x 1-1/2 x 10 Ga.  |
| 41      | 532123934 | Scale Ind. Height Blk          |

**NOTE:** All component dimensions given in U.S. inches  
1 inch = 25.4 mm

# REPAIR PARTS

TRACTOR - MODEL NO. YTH180 (954001172B), PRODUCT NO. 954 00 11-72

42" MOWER





# REPAIR PARTS

TRACTOR - MODEL NO. YTH180 (954001172B), PRODUCT NO. 954 00 11-72

## 42" MOWER

| KEY PART NO. NO. | DESCRIPTION                    | KEY PART NO. NO. | DESCRIPTION                                                                                                                                          |
|------------------|--------------------------------|------------------|------------------------------------------------------------------------------------------------------------------------------------------------------|
| 1 532144393      | Deck Asm MWR 42" 94 T-Path     | 56 532122052     | Spacer Retainer Pm Mower                                                                                                                             |
| 2 872140506      | Bolt Rdhd Sqnk 5/16-18unc X3/4 | 57 532140090     | Guide, Belt                                                                                                                                          |
| 3 532138017      | Bracket Asm Fr Sway Bar 38/42  | 59 532141043     | Guard, Belt                                                                                                                                          |
| 4 532138440      | Bracket Asm Deck 42"sway Bar   | 61 532131950     | Spring Ext. Elect                                                                                                                                    |
| 5 532124670      | Retainer Spring                | 68 532144200     | V-Belt Mower                                                                                                                                         |
| 6 532130832      | Arm Suspension Rear            | 83 532120958     | Washer Sintered                                                                                                                                      |
| 7 873800500      | Locknut-hex W/ins 5/16-18unc P | 84 532144394     | Keeper Belt Idler Fixed                                                                                                                              |
| 8 532850857      | Bolt 3/8-24x1 25 Gr8 Patched   | 85 872140620     | Bolt RDHD SQNK 3/8-16 x 2-1/2 Gr. 5                                                                                                                  |
| 9 810030600      | Washer Lock Hvy 3/8 Unplated   | 90 874760616     | Bolt Fin Hex 3/8-16unc X 1                                                                                                                           |
| 10 532140296     | Washer Hard Blade Mower Vented | 91 532132274     | Bracket Asm Noseroller LH                                                                                                                            |
| 11 532134149     | Blade Mower Mulching 42"       | 92 873680600     | Nut Crownlock 3/8-16 Unc                                                                                                                             |
| 12 532129895     | Bearing Ball #6204 (Mandrel)   | 93 819171416     | Washer 17/32 X 7/8 X 16 Ga                                                                                                                           |
| 13 532137645     | Shaft Asm W/lower Bearing      | 94 532132264     | Roller Nose 38 & 42                                                                                                                                  |
| 14 532128774     | Housing Mandrel Vented(machd)  | 95 532132273     | Bracket Asm Noseroller RH                                                                                                                            |
| 15 532110485     | Bearing Ball Mandrel           | 101 532136420    | Cover Mulching 42" Blk                                                                                                                               |
| 16 532140329     | Stripper Mower Round           | 102 871161010    | Screw                                                                                                                                                |
| 17 872110618     | Bolt Rdhd Sqnk 3/8-16 X 2-1/4  | 103 810071000    | Washer Lock #10                                                                                                                                      |
| 18 872140505     | Bolt Carr 5/16-18 X 5/8        | 104 819061216    | Washer #10                                                                                                                                           |
| 19 532132827     | Bolt Shoulder                  | 105 532130758    | Latch Asm Bagger                                                                                                                                     |
| 20 532136888     | Baffle Vortex 42               | 106 532125004    | Nut Weld .327/.304 #10-24                                                                                                                            |
| 21 873680500     | Nut Crownlock 5/16-18          | 111 532140353    | Bracket Wheel Guage Lh 42" Deck                                                                                                                      |
| 22 532134753     | Stiffener Bracket 42"deck      | 112 532132262    | Bracket Guage Wheel Rh 42" Deck                                                                                                                      |
| 23 532131267     | Bracket Deflector Mower 42"    | 113 817490512    | Screw Thdrol 5/16-18 x 3/4 TYT                                                                                                                       |
| 24 532105304     | Cap Sleeve 80x 112 Blk Mower   | 114 873510500    | Nut Keps 5/16 - 18 UNC                                                                                                                               |
| 25 532123713     | Spring Torsion Deflector 2 52  | 115 872110504    | Bolt Carriage 5/16 - Unc x 1/2                                                                                                                       |
| 26 532110452     | Nut Push Phos & Oil            | 116 532124842    | Bolt Shld "A" 2.41 "B" 1.66                                                                                                                          |
| 27 532130968     | Shield Deflector Mower 42" Blk | 117 532105455    | Wheel Guage blk. 4.93                                                                                                                                |
| 28 819111016     | Washer 11/32 X 5/8 X 16 Ga     | 118 873930600    | Nut Centerlock 3/8 - 16 UNC                                                                                                                          |
| 29 532131491     | Rod Hinge 42"6 75 Wlg          | 119 819121414    | Washer 3/8 x 7/8 x 14 Ga.                                                                                                                            |
| 30 532138776     | Screw Thdrol Hex Hd Zinc Mwr.  | 120 819171512    | Washer 17/32 x 15/16 x 12 Ga.                                                                                                                        |
| 31 532129963     | Washer Spacer Mower Vented     | 121 532143723    | Bracket                                                                                                                                              |
| 32 532129861     | Pulley Mandrel 42"             | 125 876020816    | Pin Cotter 1/4 x 1 Plated                                                                                                                            |
| 33 532137266     | Nut 9/16top Lock Flng Cntr     | -- 532145452     | Deck Serv 42" Elec Vent (Standard Deck - Order Nose Roller, Gauge Wheel and Mulcher plate components separately Key Nos. 90-95, 101-106 and 111-121) |
| 34 872110622     | Bolt Rdhd 3/8-16uncx2-3/4 Gr5  |                  | Mandrel Assembly (Includes Key Numbers 8-10, 12-15, 31 and 33)                                                                                       |
| 35 532133835     | Fastner Christmas Tree         |                  |                                                                                                                                                      |
| 36 532131494     | Pulley Idler Flat 3 060        |                  |                                                                                                                                                      |
| 37 819131316     | Washer 13/32 X 13/16 X 16 Ga   |                  |                                                                                                                                                      |
| 38 532132823     | Spacer Spring Stop Idler       |                  |                                                                                                                                                      |
| 40 873680600     | Nut Crownlock 3/8-16 UNC       |                  |                                                                                                                                                      |
| 44 532140088     | Guard Mandrel LH Black         |                  |                                                                                                                                                      |
| 46 532137729     | Screw Thdrol 1/4-20x5/8        |                  |                                                                                                                                                      |
| 54 532133943     | Washer Hardened                |                  |                                                                                                                                                      |
| 55 532140084     | Arm Idler 42"mower LT/YT       |                  |                                                                                                                                                      |

**NOTE:** All component dimensions given in U.S. inches  
1 inch = 25.4 mm



# REPAIR PARTS

TRACTOR - MODEL NO. YTH180 (954001172B), PRODUCT NO. 954 00 11-72

HYDRO-GEAR TRANSAXLE - - MODEL NUMBER 310-0750

| KEY PART<br>NO. NO. | DESCRIPTION                  | KEY PART<br>NO. NO. | DESCRIPTION               |
|---------------------|------------------------------|---------------------|---------------------------|
| 1 532142930         | Housing, Lower               | 43 532142884        | Washer 7/16 x 7/8 x .060  |
| 2 532142931         | Assembly, Upper Housing      | 44 532142959        | Differential Assembly     |
| 3 532142932         | Seal, Lip                    | 52 532142960        | Washer 3/4 x 1.5 x .03    |
| 4 532142928         | Ring, Wire Retaining         | 53 532142961        | Seal .75 x 1.25 x .250    |
| 5 532142933         | Ring, Retaining              | 54 532142962        | O-Ring .103 x 2.987 ID    |
| 6 532142934         | Bearing, Shaft Ball          | 56 532142963        | Shaft, Input              |
| 7 532142935         | Bearing, Cradle              | 58 532142964        | Bolt 1/4-20 x 1.38        |
| 8 532142936         | Bearing, Thrust 30 x 52 x 13 | 59 532142965        | Pin .5 OD x .43 ID x .750 |
| 9 532142937         | Swashplate, Variable         | 62 532142966        | Arm, Control              |
| 13 532142938        | Block, Cylinder Assembly     | 63 532142967        | Puck, Dampener            |
| 14 532142939        | Arm, Trunnion                | 64 532142920        | Set Screw                 |
| 15 532142940        | Seal, Lip                    | 68 532142969        | Spring                    |
| 17 532142941        | Guide, Slot                  | 69 532144610        | Stud 5/16-24              |
| 18 532142942        | Shaft, Motor                 | 83 532142971        | Jack Shaft Assembly       |
| 19 532142943        | Bearing, Thrust 42 x 68 x 16 | 85 532142972        | Jack Shaft                |
| 23 532142944        | Block, Cylinder Assembly     | 88 532142973        | Capscrew                  |
| 24 532142945        | Seal, Lip 10 x 25 x 7        | 89 532142974        | Washer                    |
| 25 532142946        | Actuator, Bypass             | 90 532142975        | Sleeve Bearing            |
| 26 532142947        | Center Section Assembly Kit  | 91 532142976        | Seal, Wiper               |
| 27 532142948        | Seal, Lip 26 x 42 x 8        | 92 532142977        | Spring, Block             |
| 28 532142949        | Ring, Retaining              | 93 532142978        | Washer, Block Thrust      |
| 29 532142950        | Washer 26 x 35 x 1           | 113 532142917       | Cap, Vent Assembly        |
| 34 532142951        | Oil Filter Element           | 114 532142918       | Fitting, O-Ring Assembly  |
| 35 532142952        | Arm, Bypass                  | 119 532142980       | Spacer                    |
| 36 532142953        | Ring, Retaining              | 134 532144607       | Nut, Castle 5/16-24       |
| 37 532142954        | Arm, Actuating               | 135 532144608       | Pin, Cotter               |
| 38 532142955        | Pin, Actuating               |                     |                           |
| 39 532142956        | Bolt 5/16-24 x 1-3/4         |                     |                           |
| 40 532142957        | Locknut, Hex 5/16-24 UNJC    |                     |                           |
| 41 532142958        | Brake Rotor/Stator Kit       |                     |                           |

**NOTE:** All component dimensions given in U.S. inches  
1 inch = 25.4 mm