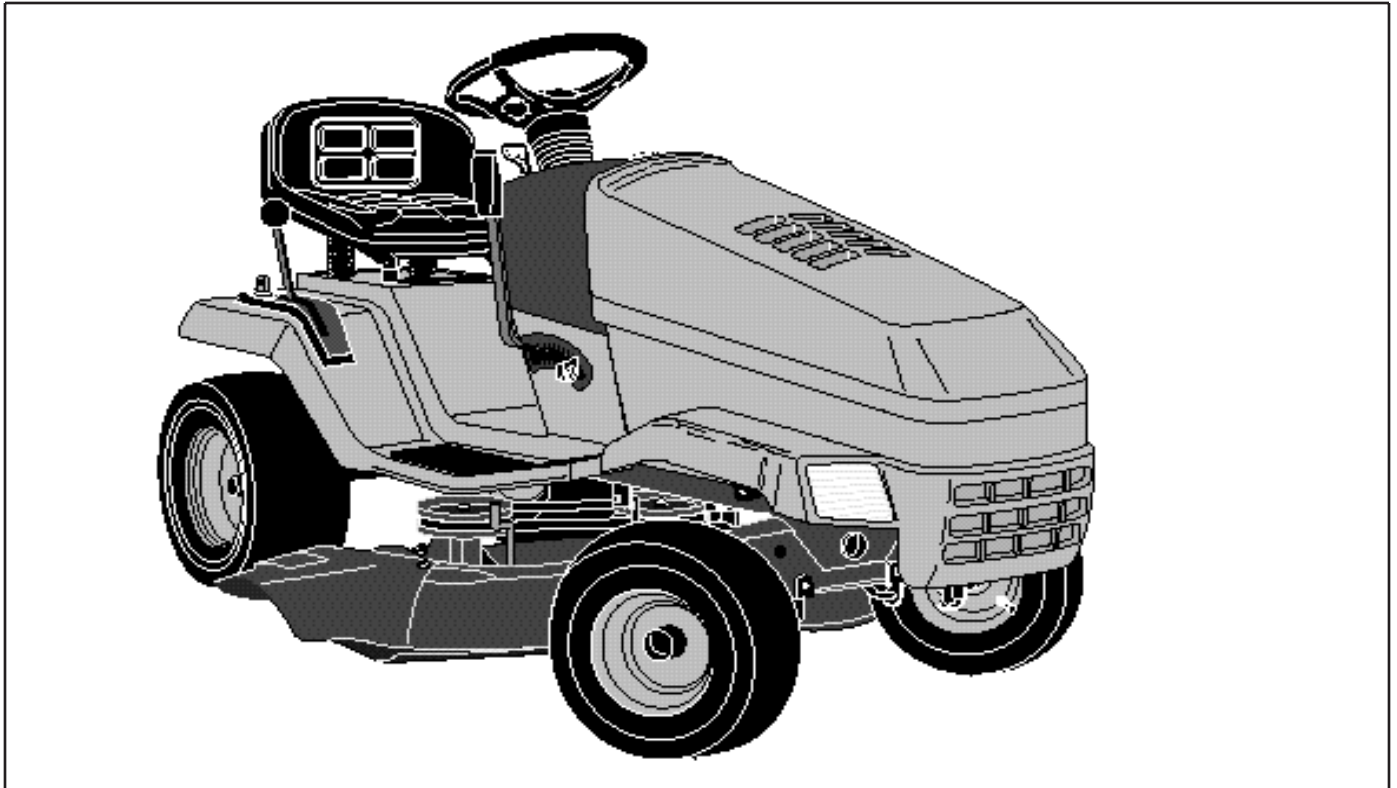


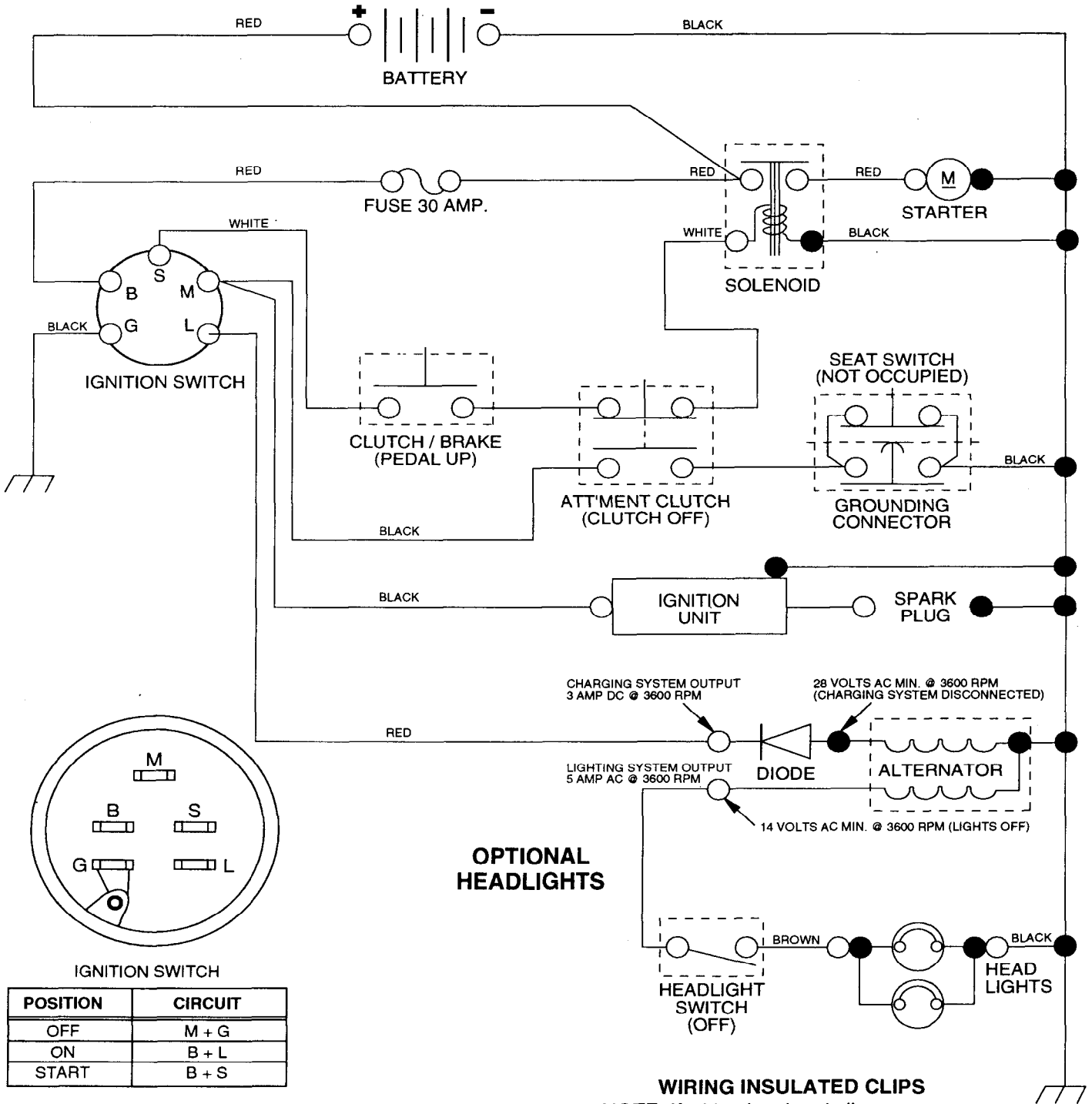
# LR 100



**03.1995**  
**PARTS LISTING**

**954000572**

# SCHEMATIC



## OPTIONAL HEADLIGHTS

### WIRING INSULATED CLIPS

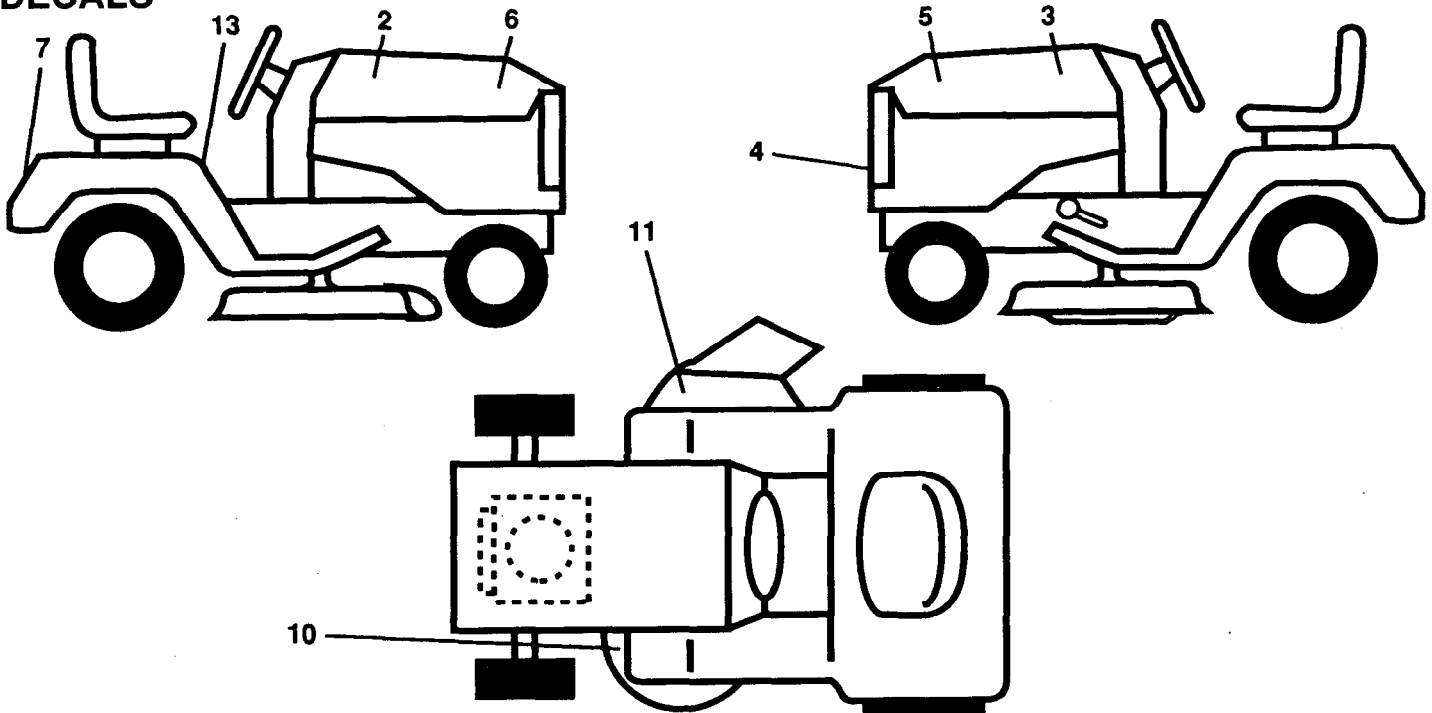
NOTE: If wiring insulated clips were removed for servicing of unit, they should be replaced to properly secure your wiring.

NON-REMOVABLE CONNECTIONS
  REMOVABLE CONNECTIONS

# REPAIR PARTS

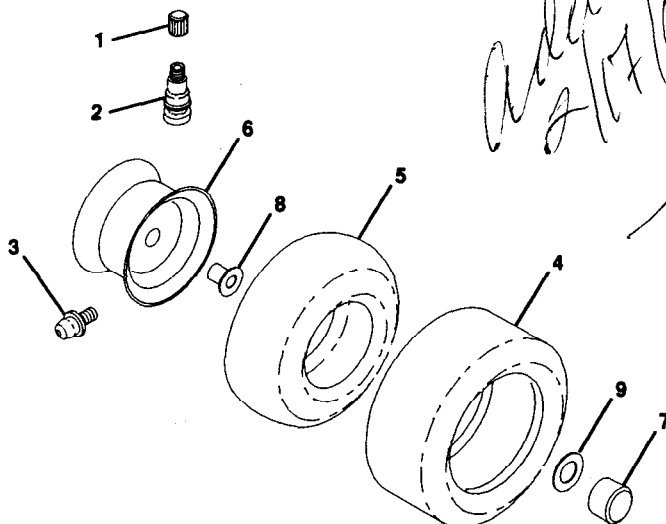
10 HP 36" TRACTOR - - LR100, PRODUCT NO. 954 00 05-72 (HU1036A)

## DECALS



KEY PART NO.	NO.	DESCRIPTION	KEY PART NO.	NO.	DESCRIPTION
2	532137540	Decal, Stripe, Hood, R.H.	10	532123649	Decal, Caution, Deflector (French / English)
3	532137541	Decal, Stripe, Hood, L.H.	11	532137259	Decal, Warning, Cut Finger (Swedish / Danish / Finnish / Norwegian)
4	532125989	Decal, Grill	--	<del>532138698</del>	Manual, Operator's (English)
5	532139089	Decal, Insert, Hood, LH	--	<del>532138699</del>	Manual, Operator's (French)
6	532139088	Decal, Insert, Hood, RH	--	532138700	Manual, Parts (English/French)
7	532131582	Decal, Logo, Fender	13	532133795	Decal, Caution (English / French)
--	532123637	Decal, Instruction, Warning (French / German / English / Dutch)			

## WHEELS AND TIRES



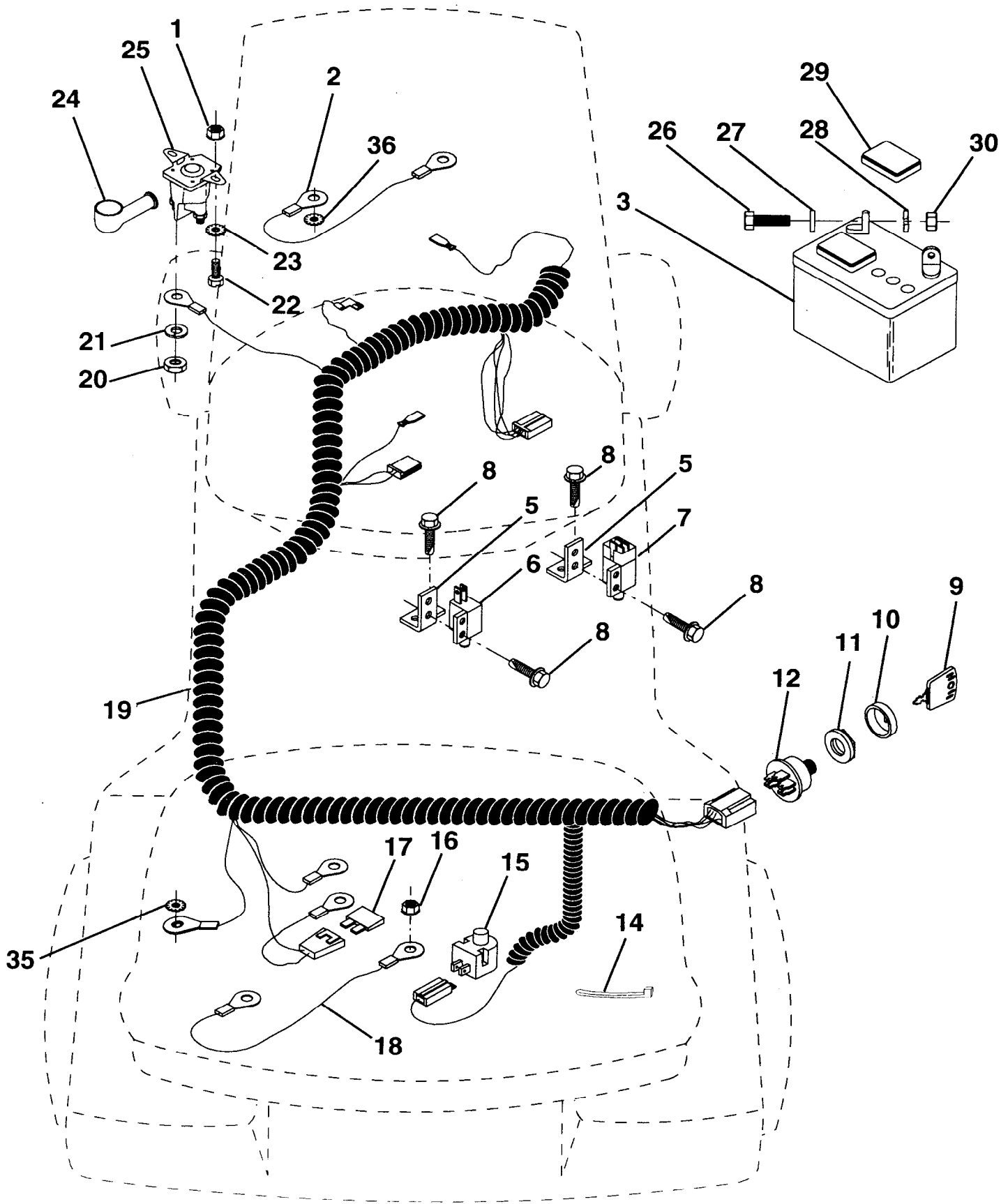
KEY PART NO.	NO.	DESCRIPTION
1	532059192	Cap, Valve, Tire
2	532065139	Stem, Valve
3	532124957	Fitting, Grease
4	532124142	Tire, Front
4	532124143	Tire, Rear
5	532059904	Tube, Front Tire (Optional, Service Item Only)
	532008134	Tube, Rear Tire (Optional, Service Item Only)
6	532124972	Rim Assembly, Front
	532124973	Rim Assembly, Rear
7	532104757	Cap, Axle
8	532124959	Bearing, Flange
9	532121748	Washer 25/32 x 1-5/8 x 16 Gauge

NOTE: All component dimensions given in U.S. inches  
1 inch = 25.4 mm.

# REPAIR PARTS

10 HP 36" TRACTOR -- LR100, PRODUCT NO. 954 00 05-72 (HU1036A)

## ELECTRICAL



# REPAIR PARTS

10 HP 36" TRACTOR - - LR100, PRODUCT NO. 954 00 05-72 (HU1036A)  
ELECTRICAL

KEY NO.	PART NO.	DESCRIPTION
1	873510400	Nut, Hex, Keps 1/4-20
2	532128353	Assembly, Cable
3	532133909	Battery
5	532108236	Bracket, Switch
6	532104445	Switch, Interlock
7	532109553	Switch, Interlock
8	817021008	Screw, Hex Washer Head, Self-Tapping #10-24 x 1/2
9	532122147	Key, Molded
10	532123620	Cover, Ignition Key
11	532124211	Nut, Ignition
12	532125104	Switch, Ignition
14	532124756	Tie, Cable
15	532121305	Switch, Plunger
16	873510500	Nut, Hex, Keps 5/16-18
17	532108824	Fuse
18	532108423	Assembly, Cable
19	<b>532131467</b>	Harness, Ignition
20	873350400	Nut, Hex, Jam 1/4-20
21	810090400	Washer, Lock 1/4
22	874780408	Bolt, Hex, Fin. 1/4-20 UNC x 1/2 Grade 5
23	811050400	Washer, Lock, External Tooth 1/4
24	532131563	Cover, Terminal
25	532138406	Solenoid
26	874760412	Bolt, Hex Head 1/4-20 UNC x 3/4
27	819091016	Washer 9/32 x 5/8 x 16
28	810040400	Washer, Lock 1/4
29	532121264	Cap, Battery
30	873220400	Nut, Hex, Fin. 1/4-20 UNC
35	811050600	Washer, Lock, External Tooth 3/8

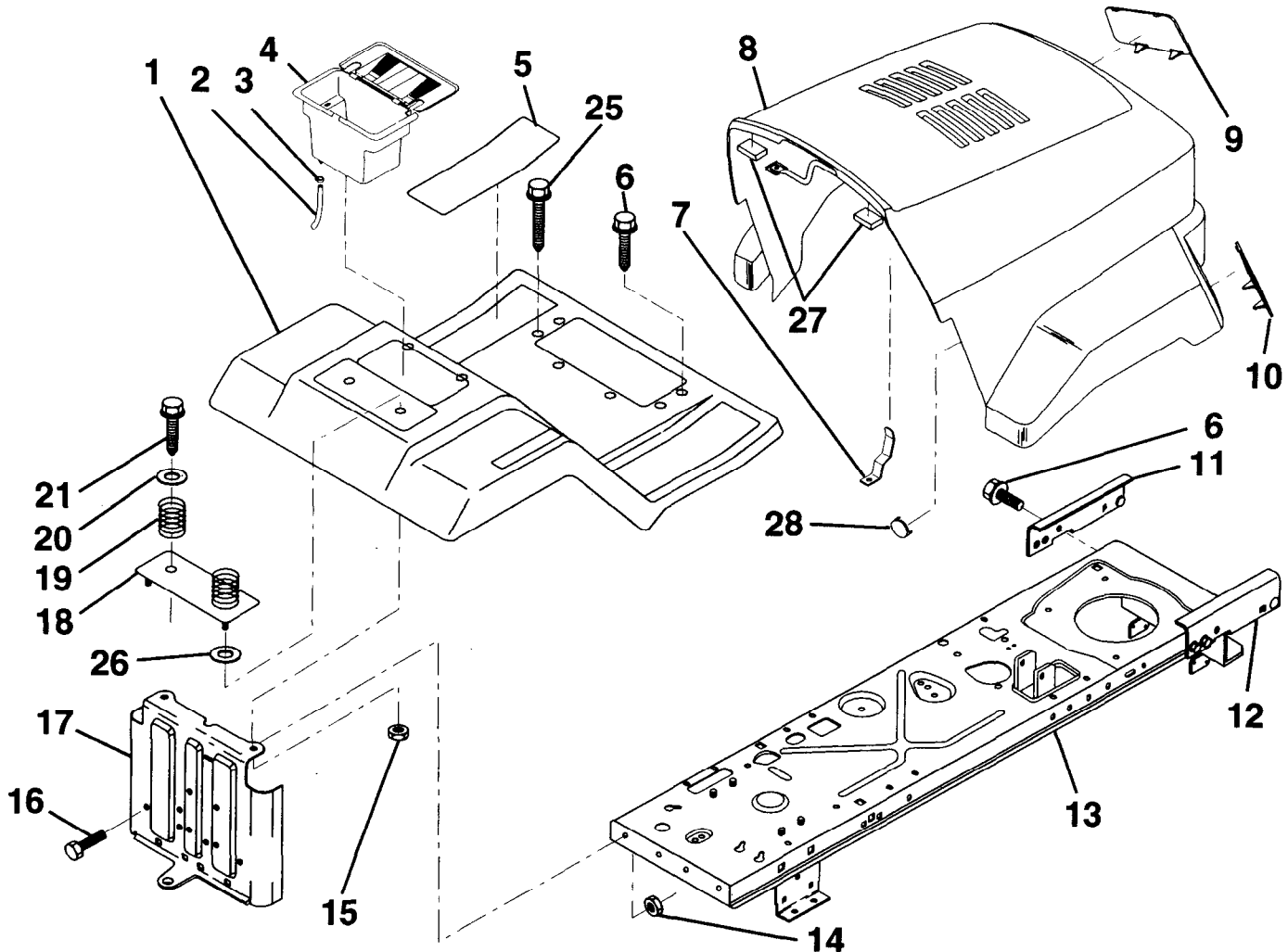
*Handwritten signature and date:*  
2/10/97

HARDWARE SHOWN LARGER FOR EASIER IDENTIFICATION

# REPAIR PARTS

10 HP 36" TRACTOR - - LR100, PRODUCT NO. 954 00 05-72 (HU1036A)

## FENDER / CHASSIS



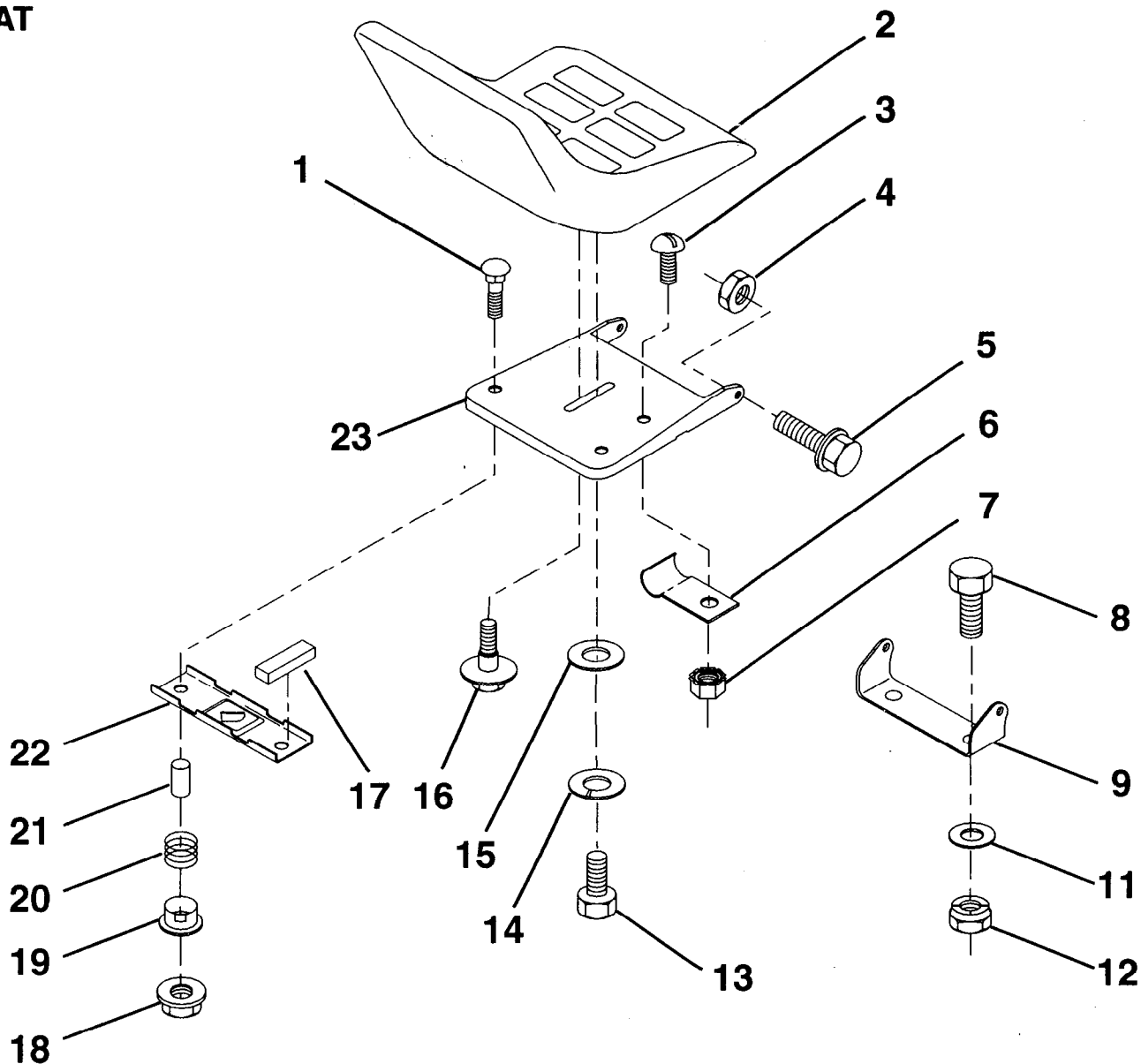
KEY NO.	PART NO.	DESCRIPTION	KEY NO.	PART NO.	DESCRIPTION
1	532131810	Fender/Footrest	12	532128808	Bracket Assy., Pivot, Frame, R.H.
2	532109238	Tube, Battery Drain	13	532137097	Assembly, Frame
3	532109596	Clamp, Hose	14	873680500	Nut, Crownlock 5/16-18
4	532129965	Case, Battery	15	873510400	Nut, Hex, Keps 1/4-20 UNC
5	532124144	Pad, Footrest	16	874760512	Bolt, Hex Hd. 5/16-18 UNC x 3/4
6	817490512	Screw, Hex Washer Head, Thd., Roll. 5/16-18 x 3/4	17	532127880	Drawbar
7	532131318	Latch, Hood	18	532127115	Plate Assembly, Battery
8	532137890	Hood/Grill Assembly (Includes Key Nos. 9 and 10)	19	532124181	Spring, Compression, Seat
9	532130986	Lens, L.H.	20	819132012	Washer 13/32 x 1-1/4 x 12 Gauge
10	532130985	Lens, R.H.	21	817490612	Screw, Hex Washer Head, Thd., Roll. 3/8-16 x 3/4
11	532128449	Bracket Assy., Pivot, Frame, L.H.	25	817490516	Screw, Thrd RI 5/16 - 18 x 1
			26	819091413	Washer 9/32 x 7/8 x 13 Gauge
			27	532126938	Bumper, Hood
			28	532131319	Plug, Light Socket

HARDWARE SHOWN LARGER FOR EASIER IDENTIFICATION

# REPAIR PARTS

10 HP 36" TRACTOR - - LR100, PRODUCT NO. 954 00 05-72 (HU1036A)

## SEAT



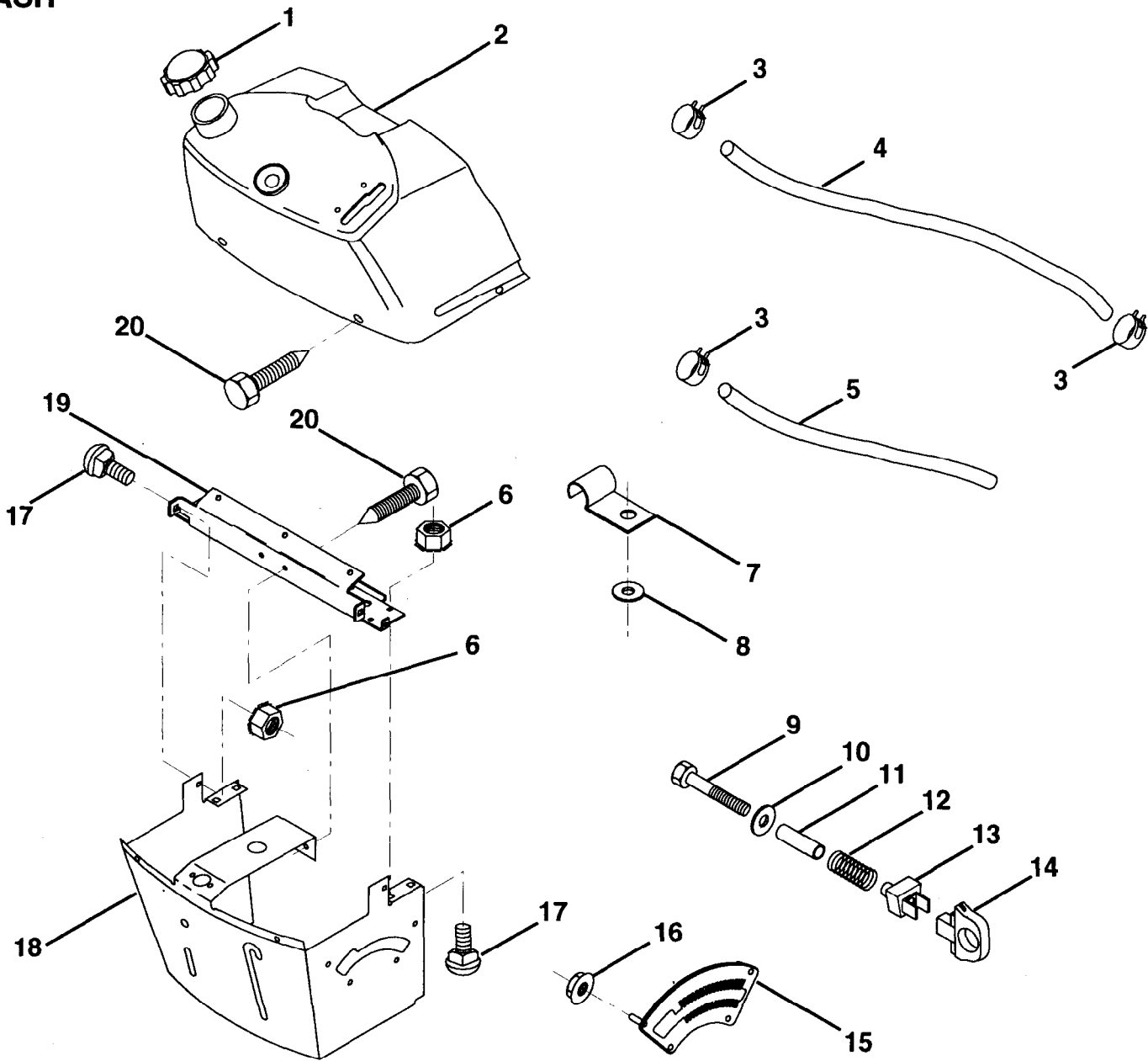
KEY NO.	PART NO.	DESCRIPTION	KEY NO.	PART NO.	DESCRIPTION
1	872050411	Bolt, Carriage 1/4-20 x 1-3/8	13	874780814	Bolt, Hex, Fin. 1/2-13 UNC x 7/8 Grade 5
2	532130875	Seat	14	810040800	Washer, Lock, Heavy Helical Spring
3	874641008	Screw, Slotted Pan Head #10-32 x 1/2	15	819171912	Washer 17/32 x 1-3/16 x 12 Ga.
4	873680500	Nut, Crownlock 5/16-18	16	532127018	Bolt, Shoulder
5	532105529	Bolt, Shoulder 5/16-18 UNC	17	532121251	Strip, Foam
6	532124967	Clip, Insulated	18	532123976	Nut, Hex, Large, Flangelock
7	873951000	Nut, Hex, Keps #10-32 UNF	19	532121248	Bushing, Snap
8	874760612	Bolt, Hex, Fin. 3/8-16 UNC x 3/4	20	532121250	Spring, Compression
9	532126656	Bracket, Pivot, Seat	21	532134300	Spacer, Split
11	819133210	Washer 12/32 x 2 x 10 Gauge	22	532121246	Bracket, Switch Mounting
12	873680600	Nut, Crownlock 3/8-16 UNC	23	532131451	Pan, Seat

HARDWARE SHOWN LARGER FOR EASIER IDENTIFICATION

# REPAIR PARTS

10 HP 36" TRACTOR - - LR100, PRODUCT NO. 954 00 05-72 (HU1036A)

## DASH

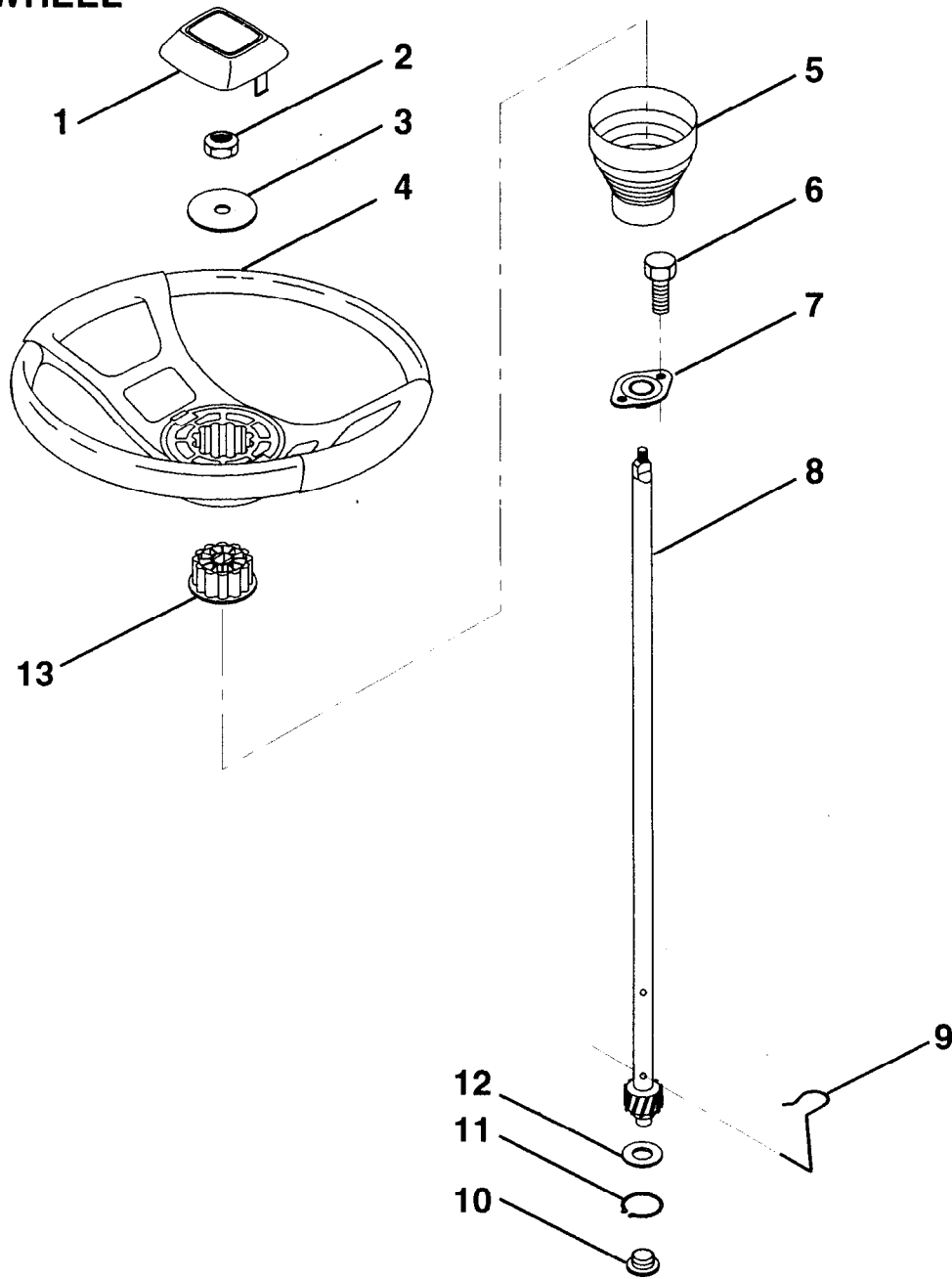


KEY NO.	PART NO.	DESCRIPTION	KEY NO.	PART NO.	DESCRIPTION
1	532132735	Cap, Fuel	11	532121249	Spacer, Split
2	532138394	Assembly, Dash & Fuel Tank	12	532003720	Spring
3	532123487	Clamp, Hose	13	532126450	Clip, Height Adjustment
4	532008544	Line, Fuel	14	532126115	Knob, Height Stop
5	532008548	Line, Fuel	15	532122023	Adjustment, Quadrant Height
6	873510400	Nut, Hex, Keps 1/4-20	16	532124346	Nut, Self-Threading 3/16-18
7	532124996	Clip, Fuel Line	17	872110404	Bolt, Carriage 1/4-20 x 1/2 Gr. 5
8	819091216	Washer 9/32 x 3/4 x 16 Gauge	18	532130745	Support Assembly, Dash
9	874760428	Bolt, Hex, Fin. 1/4-20 x 1-3/4	19	532134744	Brace, Cross
10	819091413	Washer 11/32 x 11/16 x 16 Ga.	20	817060408	Screw, Self-Tapping 1/4-20 x 1/2

HARDWARE SHOWN LARGER FOR EASIER IDENTIFICATION



**10 HP 36" TRACTOR - - LR100, PRODUCT NO. 954 00 05-72 (HU1036A)**  
**STEERING WHEEL**



KEY NO.	PART NO.	DESCRIPTION
1	532124416	Insert, Steering Wheel
2	532124701	Locknut 3/8-24 UNF
3	819133808	Washer 12/32 x 2-3/8 x 8 Gauge
4	532124415	Steering Wheel
5	532127396	Sleeve, Steering
6	817431008	Screw, Hex #10-16 x 1/2 TY-B
7	532102803	Bushing, Steering

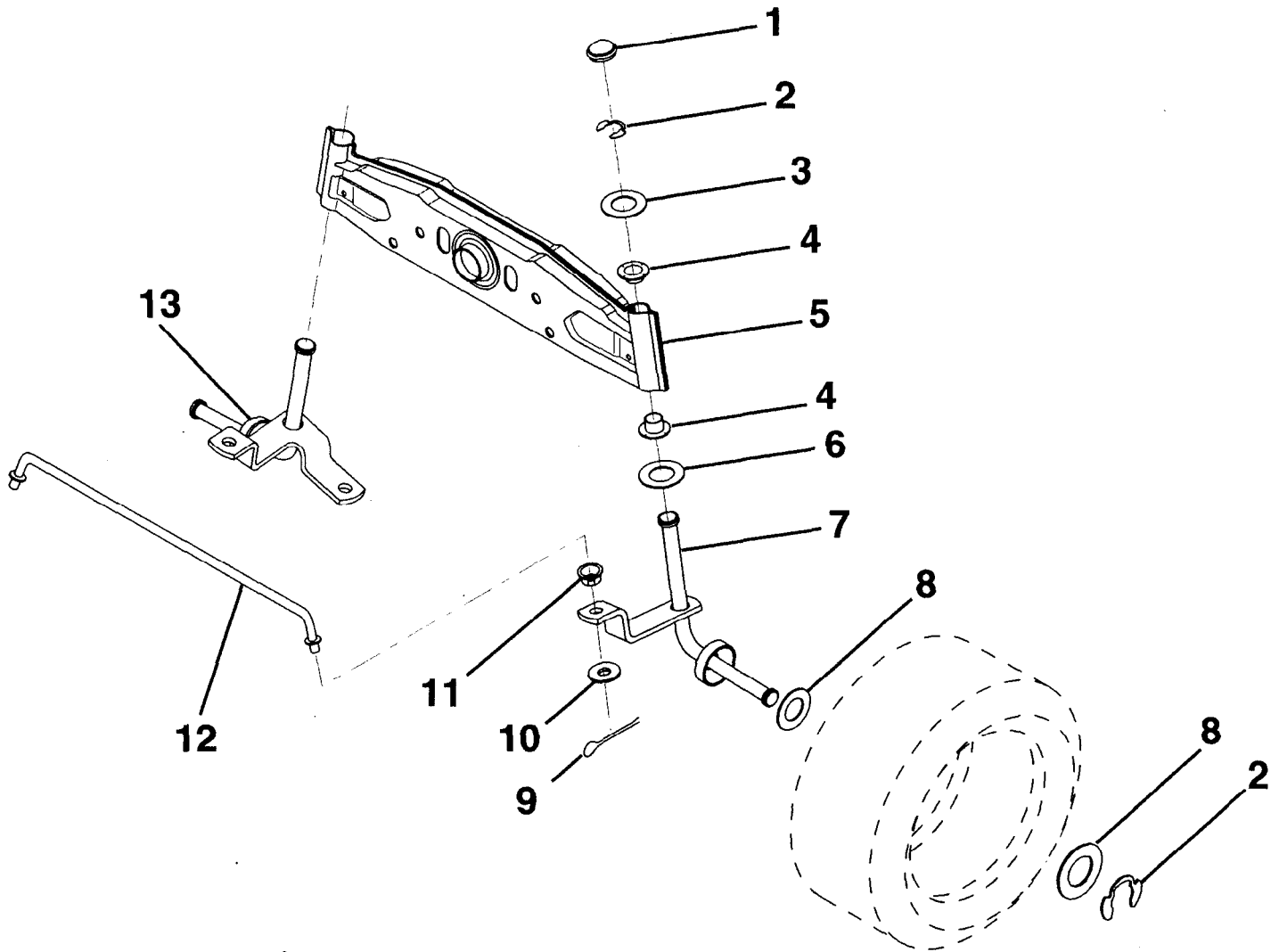
KEY NO.	PART NO.	DESCRIPTION
8	532123651	Shaft, Steering
9	532124210	Clip, Steering
10	532123438	Bushing, Lower, Steering
11	812000045	Ring, Retaining
12	819211616	Washer 21/32 x 1 x 16 Gauge
13	532104820	Adaptor, Steering Wheel

**HARDWARE SHOWN LARGER FOR EASIER IDENTIFICATION**

# REPAIR PARTS

10 HP 36" TRACTOR - - LR100, PRODUCT NO. 954 00 05-72 (HU1036A)

## FRONT AXLE



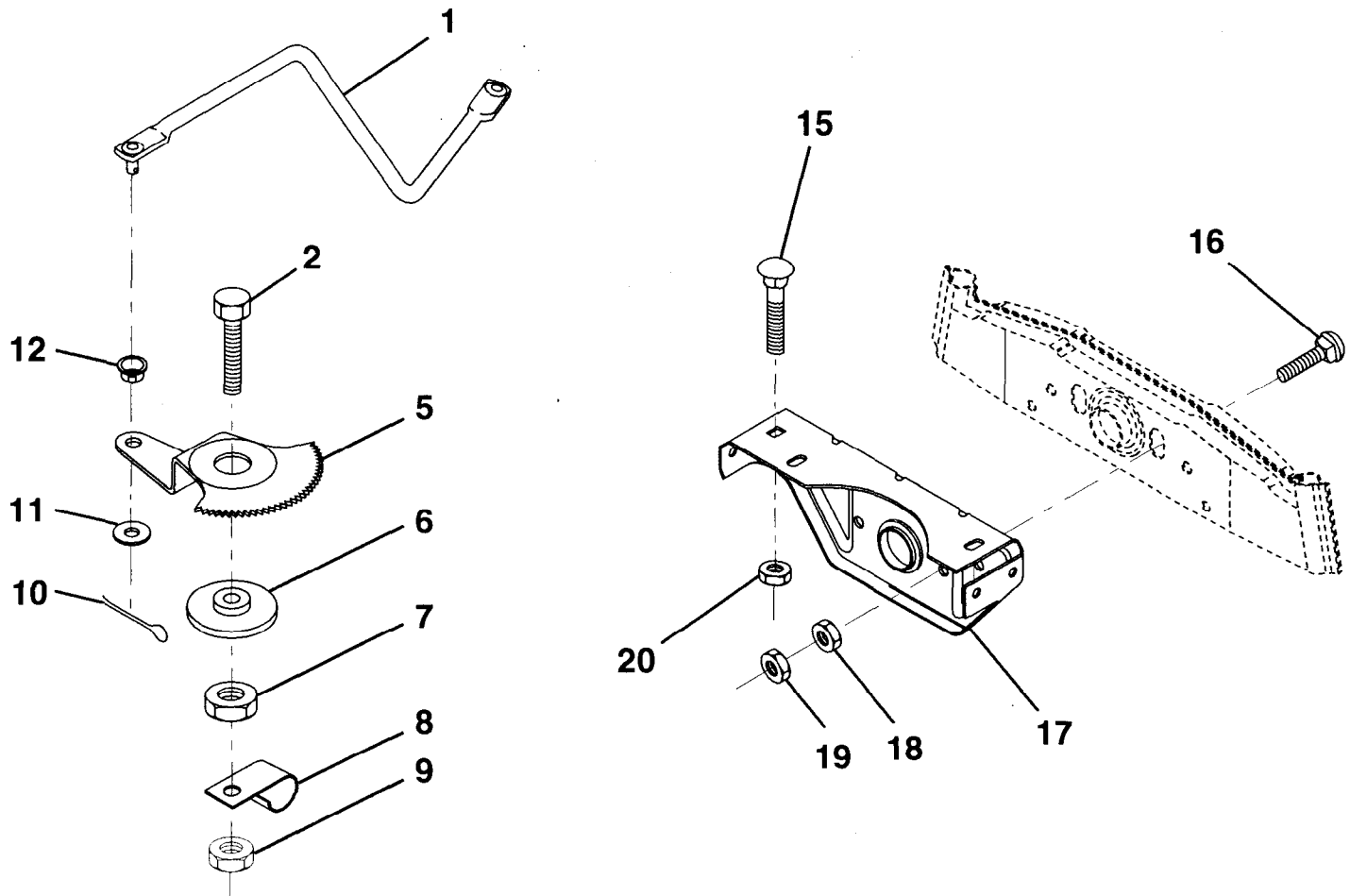
KEY NO.	PART NO.	DESCRIPTION
1	532121232	Cap, Spindle
2	812000029	Ring, Clip
3	532121748	Washer 25/32 x 1-5/8 x 16 Ga.
4	532121922	Nyliner
5	532121914	Axle, Front
6	532124931	Bearing, Thrust
7	532121919	Spindle Assembly, R.H.

KEY NO.	PART NO.	DESCRIPTION
8	532121749	Washer 25/32 x 1-1/4 x 16 Ga.
9	876020412	Pin, Cotter 1/8 x 3/4
10	819131316	Washer 13/32 x 13/16 x 16 Ga.
11	532126847	Bushing
12	532121924	Rod, Tie
13	532121916	Spindle Assembly, L.H.

HARDWARE SHOWN LARGER FOR EASIER IDENTIFICATION

# REPAIR PARTS

## 10 HP 36" TRACTOR - - LR100, PRODUCT NO. 954 00 05-72 (HU1036A) SECTOR GEAR / AXLE SUPPORT



KEY NO.	PART NO.	DESCRIPTION
1	532132566	Link, Drag
2	874780828	Bolt, Hex, Fin. 1/2-13 x 1-3/4
5	532121926	Gear, Sector
6	532121927	Bushing
7	873030800	Nut, Heavy Hex, Top Lock 1/2-13 UNC
8	532126472	Clip, Insulated
9	873680800	Nut, Crownlock 3/8-16

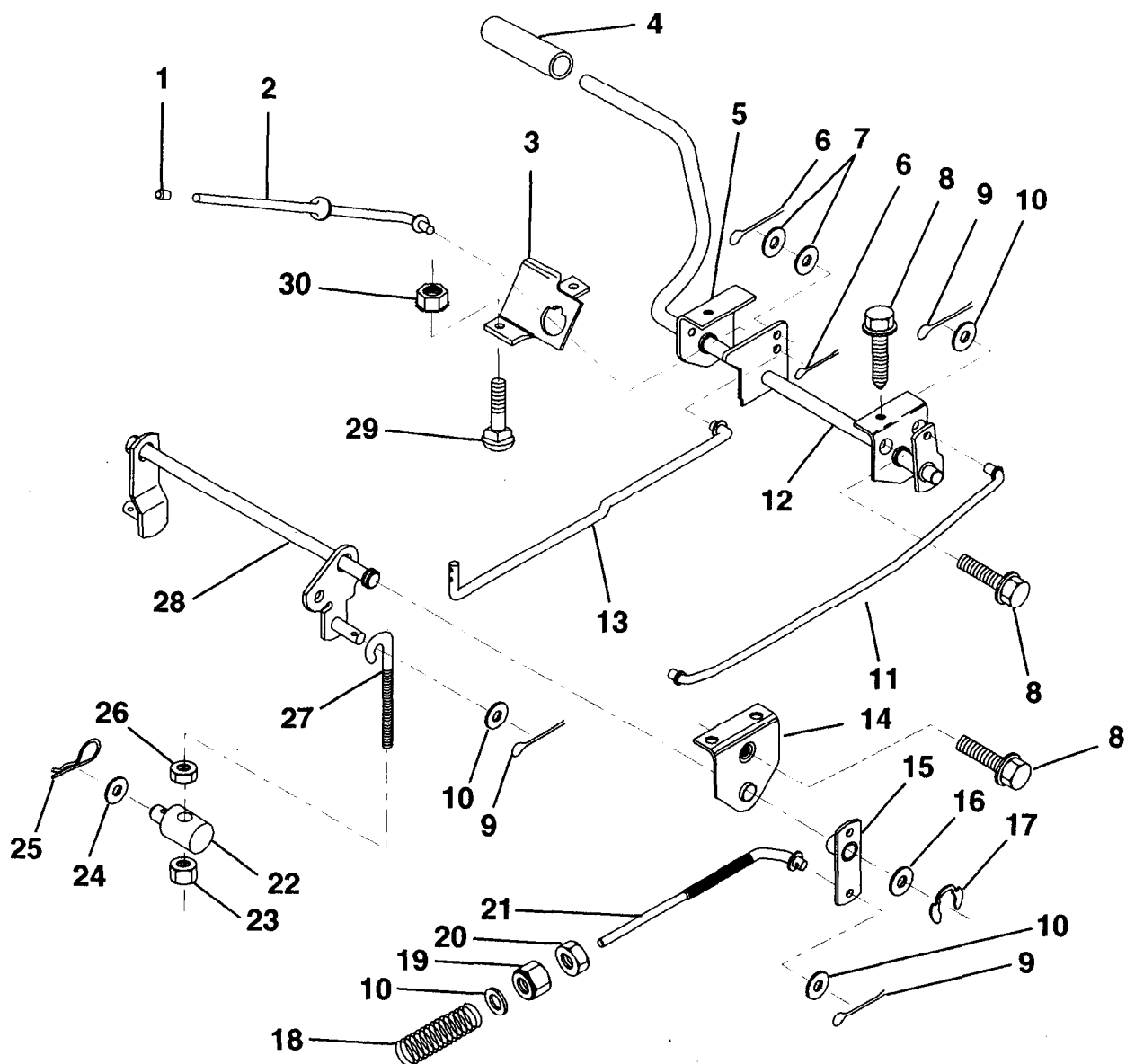
KEY NO.	PART NO.	DESCRIPTION
10	876020412	Pin, Cotter 1/8 x 3/4
11	819131316	Washer 13/32 x 13/16 x 16 Ga.
12	532126847	Bushing
15	872110606	Bolt, Carriage 3/8-16 UNC x 3/4
16	872140622	Bolt, Carriage
17	532121912	Support, Front Axle
18	873220600	Nut, Hex, Fin. 3/8-16 UNC
19	873930600	Nut, Centerlock 3/8-16 UNC
20	873680600	Nut, Crownlock 3/8-16 UNC

HARDWARE SHOWN LARGER FOR EASIER IDENTIFICATION

# REPAIR PARTS

10 HP 36" TRACTOR - - LR100, PRODUCT NO. 954 00 05-72 (HU1036A)

## BRAKE / REAR MOWER LIFT ASSEMBLY

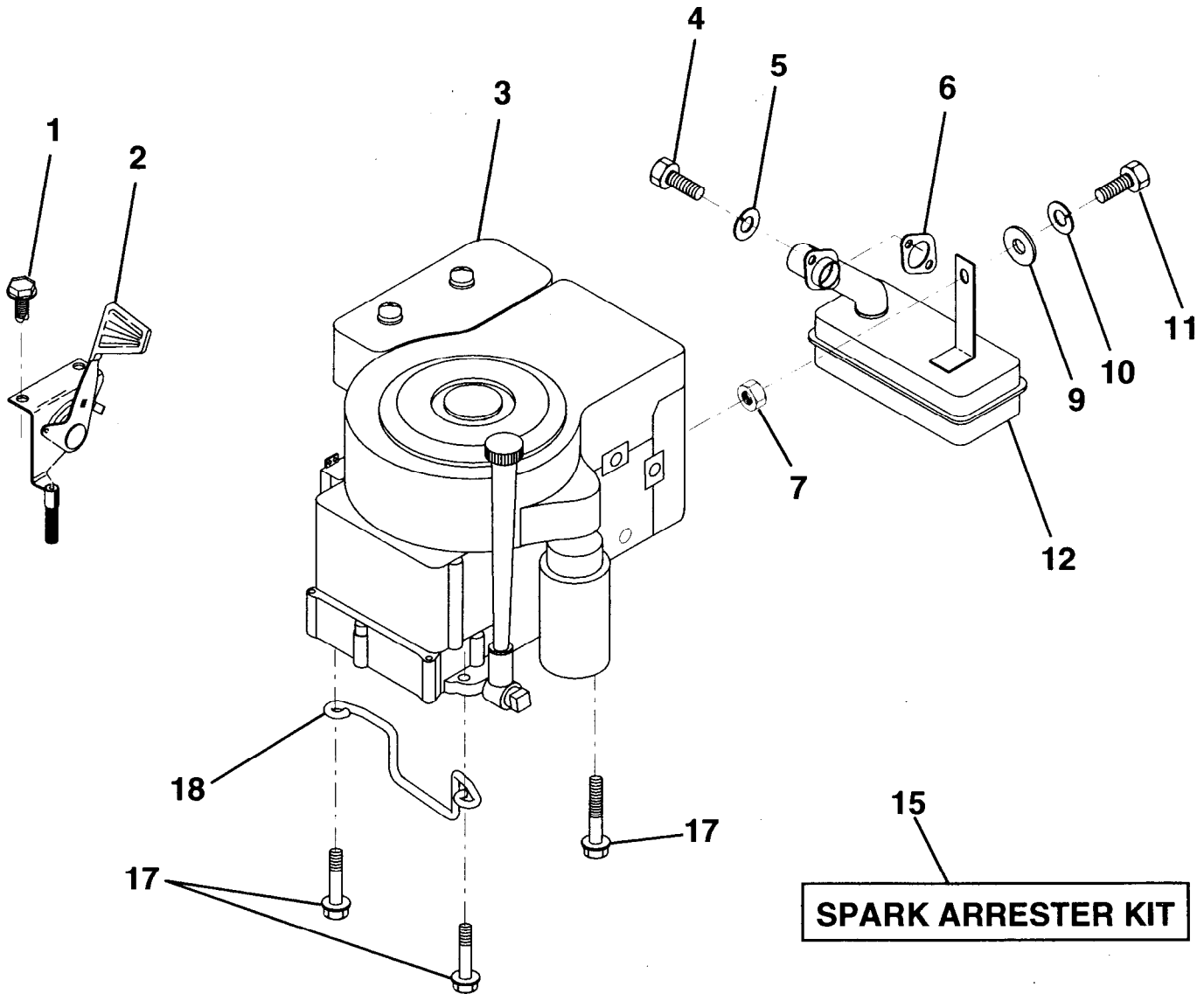


KEY NO.	PART NO.	DESCRIPTION	KEY NO.	PART NO.	DESCRIPTION
1	532071673	Cap, Plunger	16	819251816	Washer 25/32 x 1-1/8 x 16 Ga.
2	532123436	Rod, Parking Brake	17	812000034	Ring, Klip
3	532123437	Bracket, Parking Brake	18	532106888	Spring, Brake Rod
4	532008156	Cover, Pedal	19	873800600	Locknut, Hex, with Washer Insert 3/8-16 UNC
5	532122504	Bracket, Clutch/Brake Pedal, L.H.	20	873350600	Nut, Hex, Jam 3/8-16 UNC
6	876020312	Pin, Cotter 3/32 x 3/4	21	532131936	Rod, Rear, Brake
7	819131016	Washer 13/32 x 5/8 x 16 Gauge	22	532127378	Trunnion, Lift
8	817490508	Screw, Hex Head, Thd., Roll. 5/16-18 x 1/2	23	873680600	Nut, Crownlock 3/8-16 UNC
9	876020412	Pin, Cotter 1/8 x 3/4	24	819132012	Washer 13/32 x 1-1/4 x 12 Ga.
10	819131316	Washer 13/32 x 13/16 x 16 Ga.	25	532124961	Spring, Retainer
11	532123543	Rod, Brake Front	26	873930600	Nut, Centerlock 3/8-16 UNC
12	532129567	Assembly, Clutch/Brake Pedal	27	532127369	Link, Threaded
13	532123394	Rod, Clutch	28	532127358	Assembly, Rear Mower Lift
14	532121978	Bracket, Lift, Shaft	29	872110506	Bolt, Carriage 5/16-18 UNC x 3/4
15	532123641	Assembly, Brake, Pivot, Arm	30	873510500	Nut, Hex, Keps 5/16-16 UNC

HARDWARE SHOWN LARGER FOR EASIER IDENTIFICATION

# REPAIR PARTS

10 HP 36" TRACTOR - - LR100, PRODUCT NO. 954 00 05-72 (HU1036A)  
ENGINE / THROTTLE



KEY NO.	PART NO.	DESCRIPTION
1	817720408	Screw, Hex Head, Thread-Cutting 1/4-20 x 1/2
2	532132752	Control, Throttle
3	---	Engine, Briggs and Stratton Model Number 254707
4	871070512	Screw, Hex Cap Head 5/16-18 x 3/4
5	810040500	Washer, Lock, Heavy Helical Spring 5/16
6	532125593	Gasket, Exhaust

KEY NO.	PART NO.	DESCRIPTION
7	873220500	Nut Fin H 5/16 - 18
9	819101216	Washer 5/16 x 3/4 x 16 Gauge
10	810040400	Washer, Lock, Heavy Helical Spring 1/4
11	874780416	Bolt, Hex, Fin. 1/4-20 UNC x 1
12	532137437	Muffler
15	532137180	Arrester, Spark (Optional)
17	817490624	Screw, Hex Washer Head, Thd., Roll. 3/8-16 x 1-1/2
18	532126636	Keeper, Ground Drive Belt

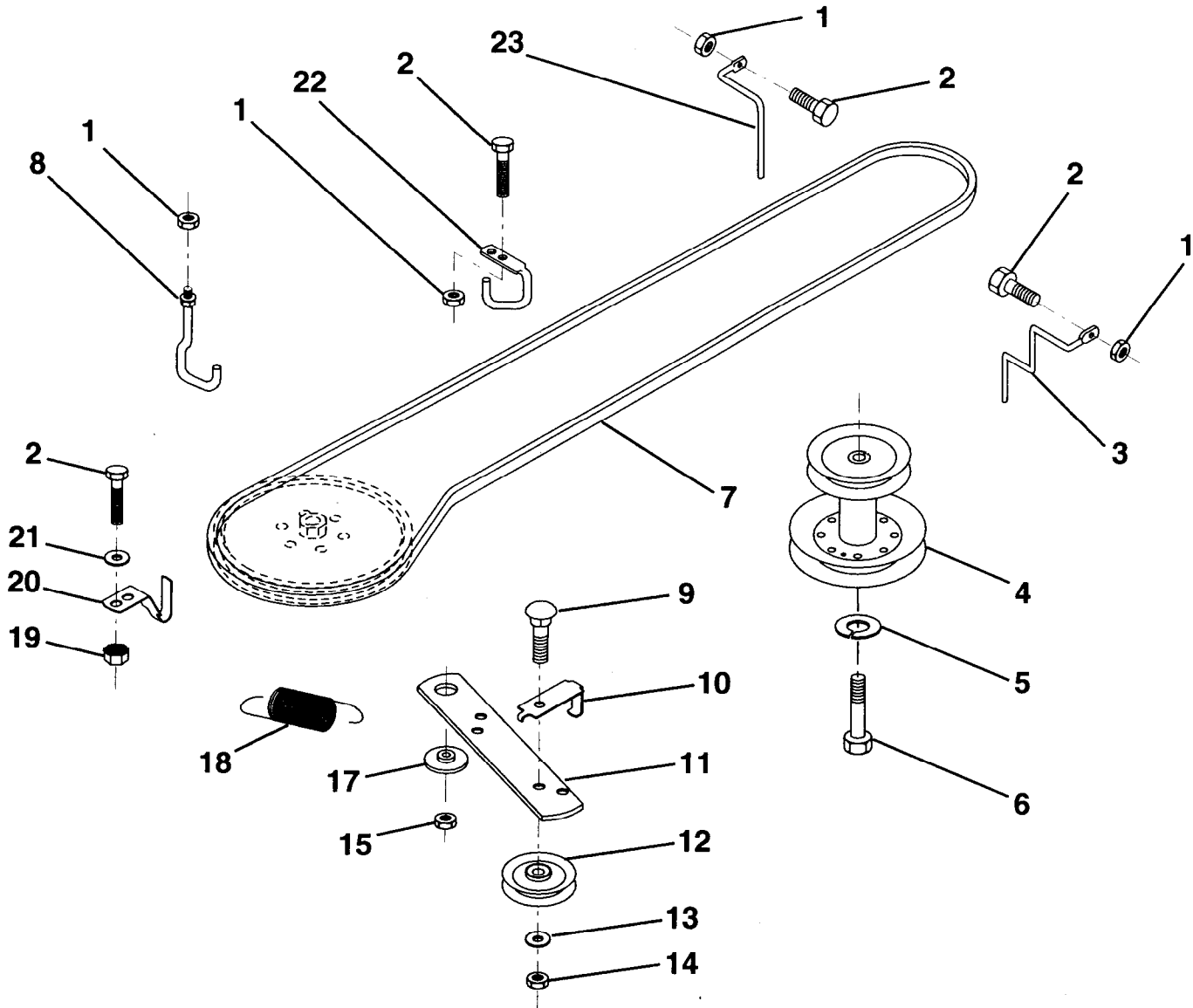
*W. A. ... 2/17/94*

HARDWARE SHOWN LARGER FOR EASIER IDENTIFICATION

# REPAIR PARTS

10 HP 36" TRACTOR - - LR100, PRODUCT NO. 954 00 05-72 (HU1036A)

## GROUND DRIVE



KEY PART  
NO. NO.

DESCRIPTION

KEY PART  
NO. NO.

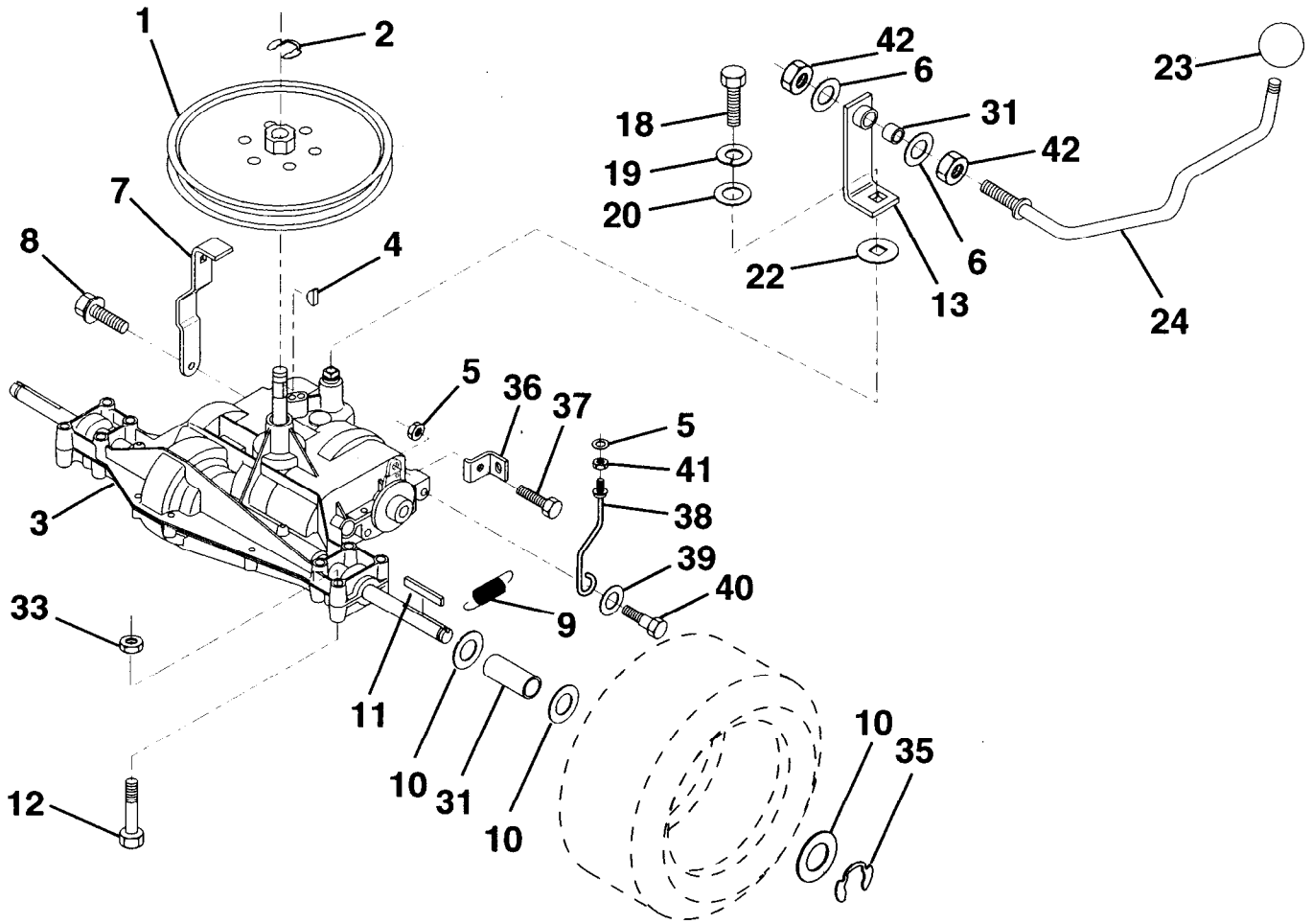
DESCRIPTION

1	873680500	Nut, Crownlock 5/16-18
2	874760512	Bolt, Hex Hd. 5/16-18 UNC x 3/4
3	532131205	Keeper, Mower Drive Belt, R.H.
4	532134828	Pulley, Engine
5	810040700	Washer, Lock 7/16
6	871170744	Bolt, Hex, Fin. 7/16-20
7	532124525	Traction, V-Belt, Drive
8	532123405	Keeper, T/A, Ground Drive Belt
9	872140612	Bolt, Carriage 3/8-16 UNC x 1-1/2
10	532123396	Keeper, Ground Drive, Belt, Idler
11	532123395	Clutch Arm, Ground Drive
12	532004859	Idler, Flat

13	819131316	Washer 13/32 x 13/16 x 16 Ga.
14	873930600	Nut, Centerlock 3/8-16 UNC
15	873680600	Nut, Crownlock 3/8-16 UNC
17	532122052	Spacer, Retainer
18	532131459	Spring Extension
19	873510500	Nut, Hex, Keps 5/16-18 UNC
20	532123891	Keeper, T/A, Ground Drive Belt
21	819111016	Washer 11/32 x 5/8 x 16 Gauge
22	532123404	Keeper, Frame, Ground Drive Belt
23	532131204	Keeper, Mower Drive Belt, L.H.

HARDWARE SHOWN LARGER FOR EASIER IDENTIFICATION

**10 HP 36" TRACTOR - - LR100, PRODUCT NO. 954 00 05-72 (HU1036A)**  
**TRANSAXLE**



KEY NO.	PART NO.	DESCRIPTION
1	532123385	Pulley
2	812000028	Ring, Retainer
3	-----	Transaxle, Peerless, 5 Speed Model Number 2000-07
4	532125096	Key, Woodruff #9
5	873680500	Nut, Crownlock 5/16-18
6	819151612	Washer 15/32 x 1 x 12 Ga.
7	532133597	Strap, Torque
8	817490512	Screw, Hex Head, Thd. Roll. 5/16-18 x 3/4
9	532110422	Spring, Brake
10	532121749	Washer 25/32 x 1-1/4 x 16 Ga.
11	532123583	Key, Square
12	874760644	Bolt Fin Hex 3/8 - 16 x 2 3/4
13	532137491	Bracket Asm., Shift Cntr
18	871040412	Bolt, Hex Head, Fin. 1/4-28 UNF x 3/4 Grade 8

KEY NO.	PART NO.	DESCRIPTION
19	810040400	Washer, Lock 1/4
20	819091210	Washer 9/32 x 3/4 x 10 Gauge
22	532105701	Washer, Shift Plate
23	532106933	Knob, Shift Control
24	532131930	Rod, Shift Center
31	532132985	Spacer
33	873680600	Nut, Crownlock 3/8 x 16 Unc
35	812000001	E-Ring
36	532131935	Bracket Brake
37	872140506	Bolt, Carriage 5/16-18 UNC x 3/4
38	532131937	Keeper Belt RH
39	819171612	Washer 1/32 x 1 x 12 Ga.
40	532132827	Bolt, Shoulder 5/26 - 18
41	873680500	Nut, Crowlock 5/16 - 18
42	532065854	Nut, Centerlock

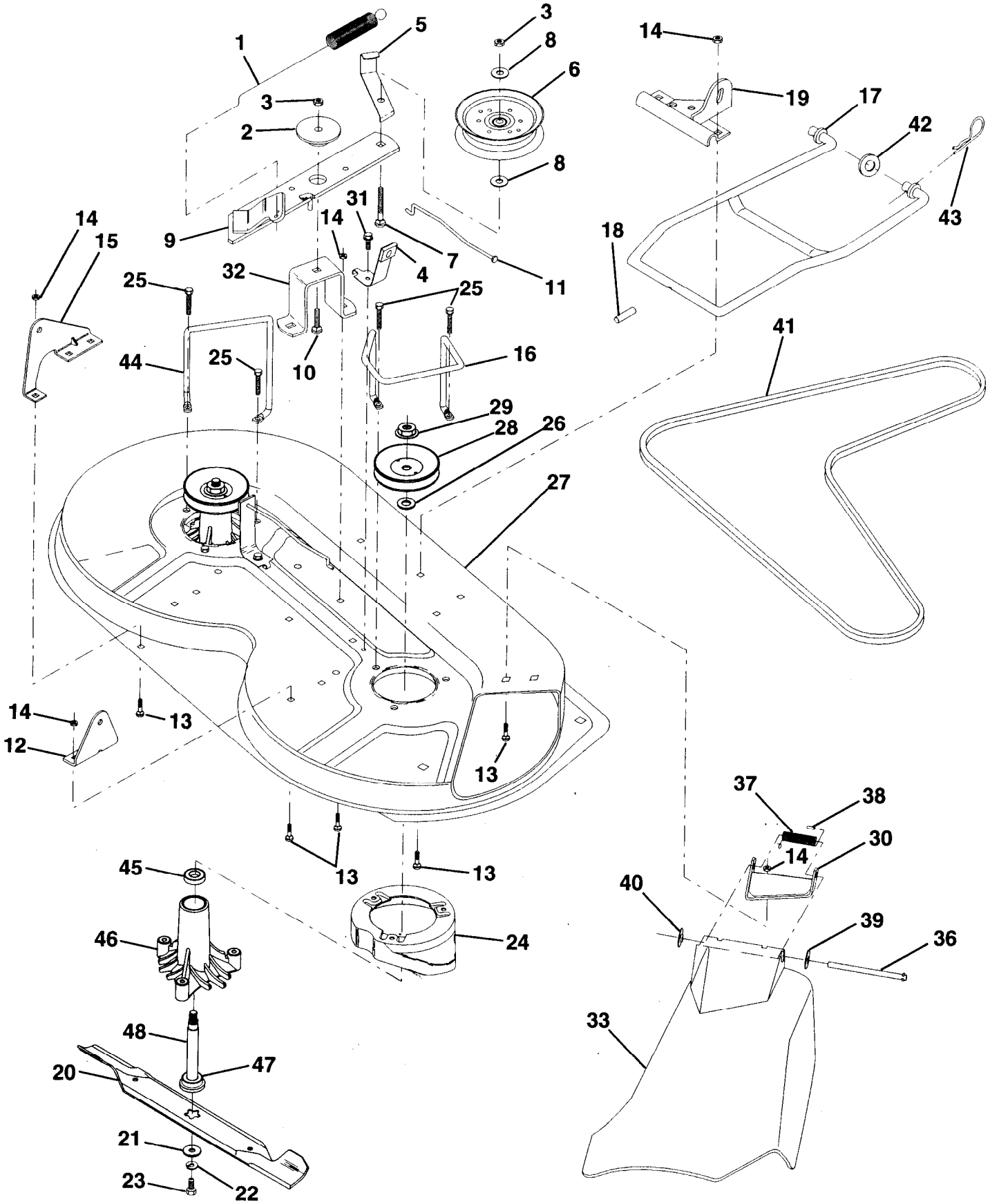
*Handwritten signature and date: 2/17/91*

**HARDWARE SHOWN LARGER FOR EASIER IDENTIFICATION**

# REPAIR PARTS

10 HP 36" TRACTOR - - LR100, PRODUCT NO. 954 00 05-72 (HU1036A)

## MOWER DECK





# REPAIR PARTS

## 10 HP 36" TRACTOR - - LR100, PRODUCT NO. 954 00 05-72 (HU1036A) MOWER DECK

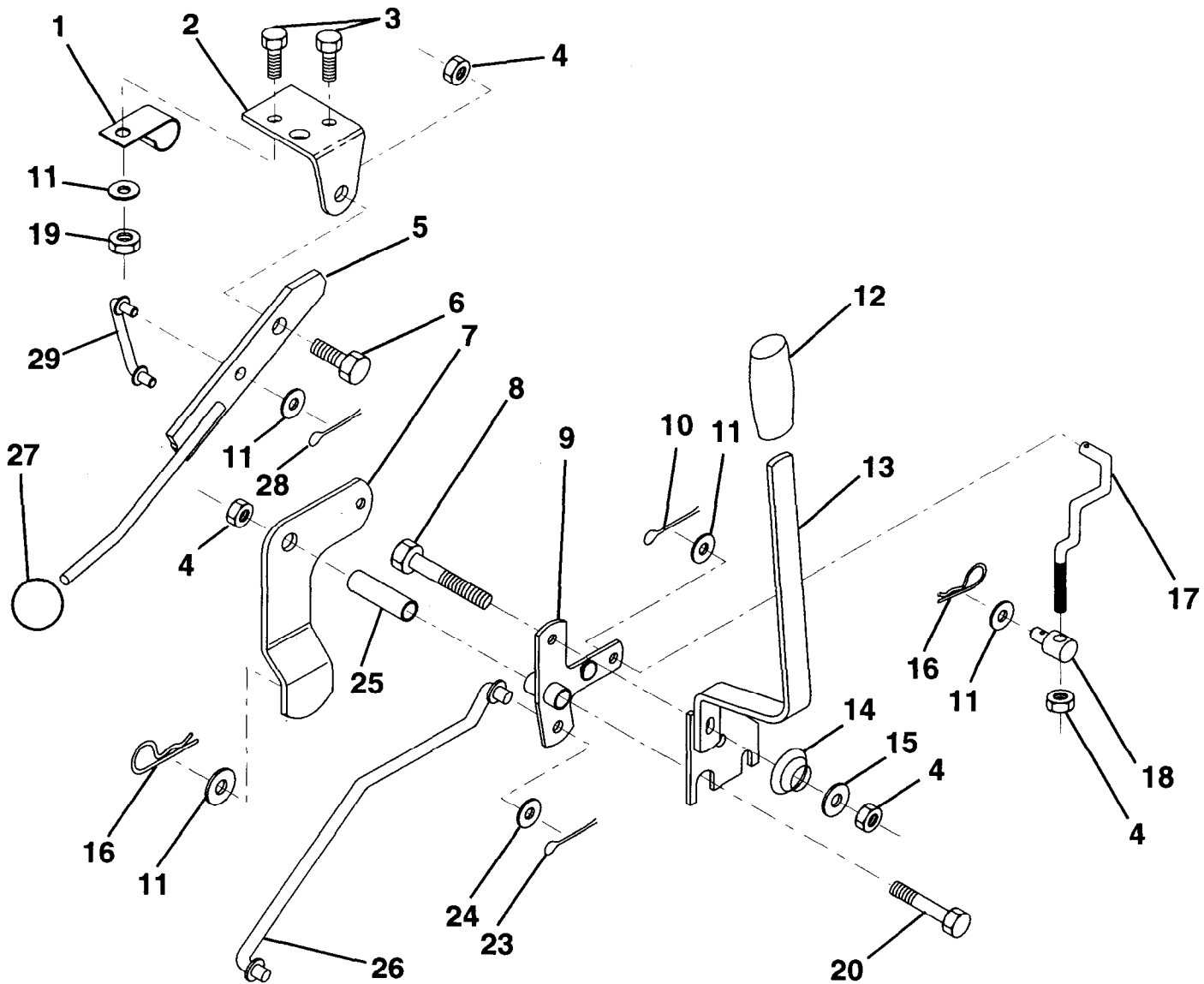
KEY NO.	PART NO.	DESCRIPTION
1	532127743	Spring, Mower Clutch
2	532122052	Spacer, Retainer
3	873680600	Nut, Crownlock
4	532130840	Brake Assembly
5	532131251	Guide, Belt, Idler
6	532121316	Pulley, Flat, Idler
7	872110616	Bolt, Carriage 3/8-16 x 2 Grade 5
8	819131410	Washer 13/21 x 7/8 x 10 Gauge
9	532127744	Arm Assembly, Idler, Mower
10	872110608	Bolt, Carriage 3/8-16 x 1
11	532130841	Rod, Brake
12	532127356	Bracket, Lift, Rear, R.H.
13	872140505	Bolt, Carriage 5/16-18 x 5/8
14	873680500	Nut, Crownlock 5/16-18
15	532127357	Bracket, Lift, Rear, L.H.
16	532130837	Keeper, R.H.
17	532128508	Link Assembly, Mower Stabilizer
18	532128511	Pin, Drive
19	532127380	Bracket, Assembly, Front
20	532138496	Blade
21	532129962	Washer, Hardened
22	810030600	Washer, Lock 3/8
23	532850857	Bolt 3/8-24 x 1-1/4 Grade 8
24	532136929	Stripper
25	532078158	Bolt 5/16-18 x 1-1/4
26	532129963	Washer .150 Thick
27	532129983	Housing Assembly
28	532129207	Pulley, Mandrel
29	873050900	Nut, Flangelock 9/16
30	532136631	Bracket, Assembly, Deflector
31	817490508	Screw, Hex Washer Head, Thd., Roll. 5/16-18 x 1/2
32	532122051	Arm, Support, Idler, Mower
33	532131560	Deflector
36	532121980	Rod, Hinge
37	532123713	Spring, Torsion, Deflector
38	532105304	Cap, Sleeve
39	819111016	Washer 11/32 x 5/8 x 16 Gauge
40	532110452	Push Nut
41	532131264	V-Belt
42	819171616	Washer 11/32 x 5/8 16 Gauge
43	532124660	Retainer, Spring
44	532130836	Keeper, L.H.
45	532110485	Bearing
46	532128774	Housing, Mandrel, Vented
47	532129895	Bearing
48	532133172	Shaft, Mandrel (Includes Key Number 47)
--	532128774	Mandrel Assembly (Includes Key No.'s 22, 23, 26, 29 and 45-48)
--	532136317	Mower Deck, Complete

HARDWARE SHOWN LARGER FOR EASIER IDENTIFICATION

# REPAIR PARTS

10 HP 36" TRACTOR -- LR100, PRODUCT NO. 954 00 05-72 (HU1036A)

## MOWER LIFT LEVER



KEY NO.	PART NO.	DESCRIPTION	KEY NO.	PART NO.	DESCRIPTION
1	532126470	Clip, Insulated	14	532123496	Spring, Compression
2	532122018	Bracket, Mower Clutch	15	819131212	Washer 13/32 x 3/4 x 12 Gauge
3	874780408	Bolt, Hex Head, Fin. 1/4-20 UNC x 1/2 Grade 5	16	532124961	Retainer, Spring
4	873680600	Nut, Crownlock 3/8-16 UNC	17	532127359	Link, Front Lift
5	532123417	Clutch Lever Assembly	18	532133205	Trunnion, Threaded 3/8-16
6	532106451	Bolt, Shoulder	19	873680400	Nut, Crownlock 1/4-20
7	532135371	Assembly, Mower Clutch Arm	20	874760644	Bolt, Hex Head, Fin. 3/8-16 UNC x 2-3/4
8	874760636	Bolt, Hex 3/8-16 UNC x 2-1/4	23	876020416	Pin, Cotter 1/8 x 1
9	532121930	Lift Bracket Assembly	24	819171616	Washer 17/32 x 1 x 16 Gauge
10	876020412	Pin, Cotter 1/8 x 3/4	25	532121933	Tube, Spacer
11	819131316	Washer 13/32 x 13/16 x 16 Ga.	26	532121934	Rod, Mower Lift
12	532131861	Grip, Handle	27	532106932	Knob
13	532127028	Assembly, Lift Handle	28	876020312	Pin, Cotter 3/32 x 3/4
			29	532131655	Link, Mower Clutch

HARDWARE SHOWN LARGER FOR EASIER IDENTIFICATION