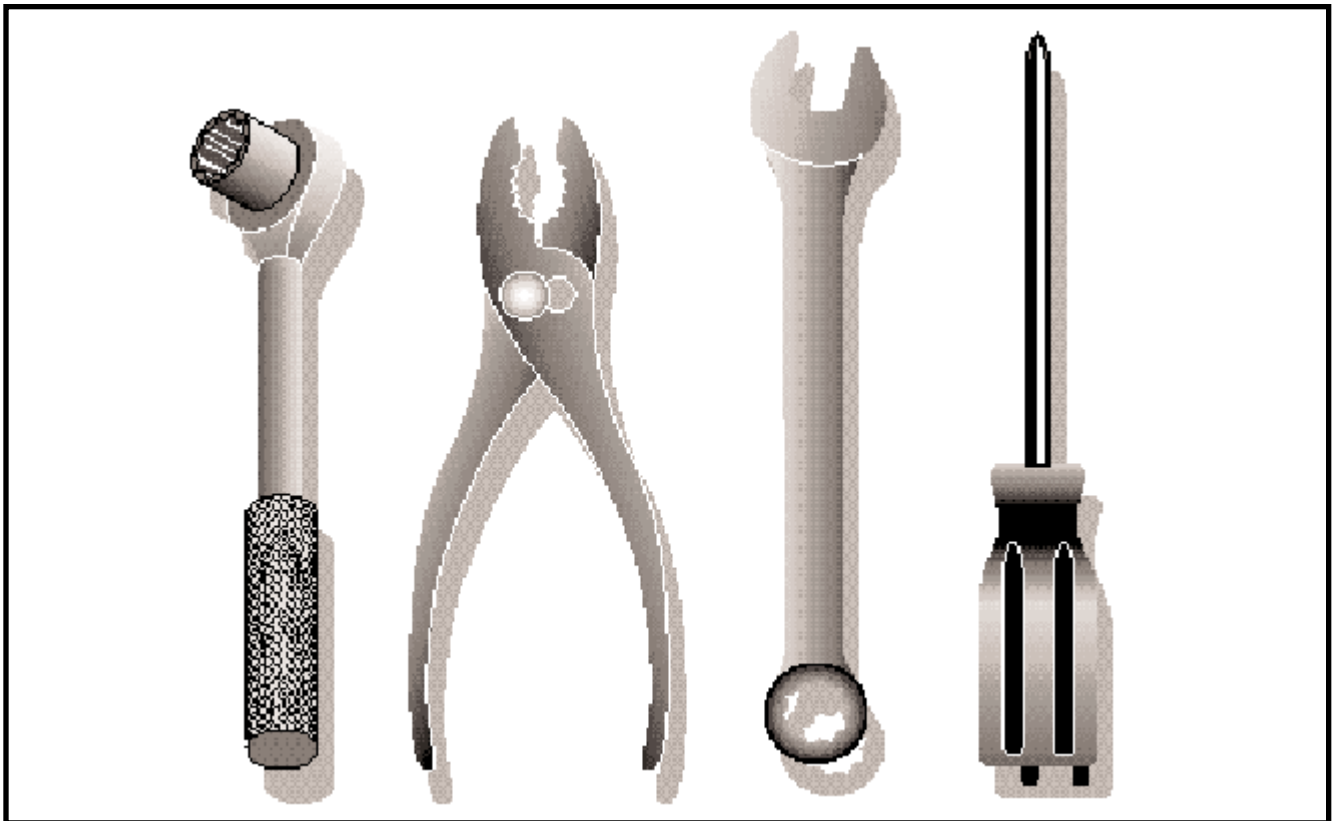


YT 190

954001982A

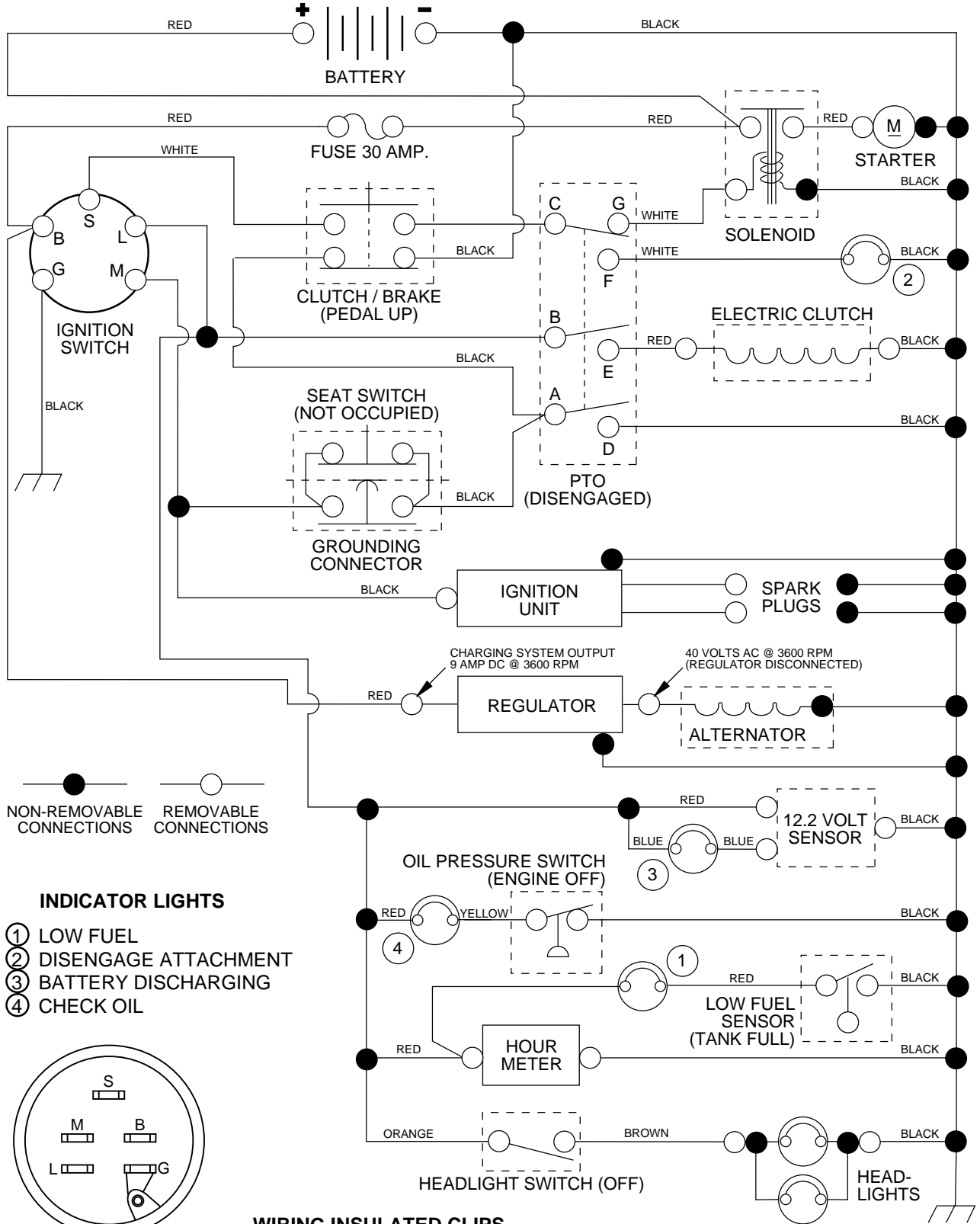


Repair Parts Manual

Ride Mower

TRACTOR - - MODEL NUMBER YT190 (954001982A)

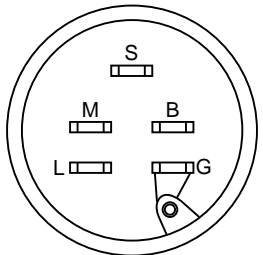
SCHEMATIC



NON-REMOVABLE CONNECTIONS
 REMOVABLE CONNECTIONS

INDICATOR LIGHTS

- ① LOW FUEL
- ② DISENGAGE ATTACHMENT
- ③ BATTERY DISCHARGING
- ④ CHECK OIL



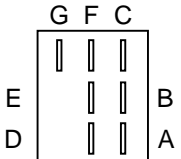
IGNITION SWITCH

POSITION	CIRCUIT
OFF	M + G
ON	B + L
START	B + S + L

WIRING INSULATED CLIPS
 NOTE: IF WIRING INSULATED CLIPS WERE REMOVED FOR SERVICING OF UNIT, THEY SHOULD BE REPLACED TO PROPERLY SECURE YOUR WIRING.

PTO SWITCH

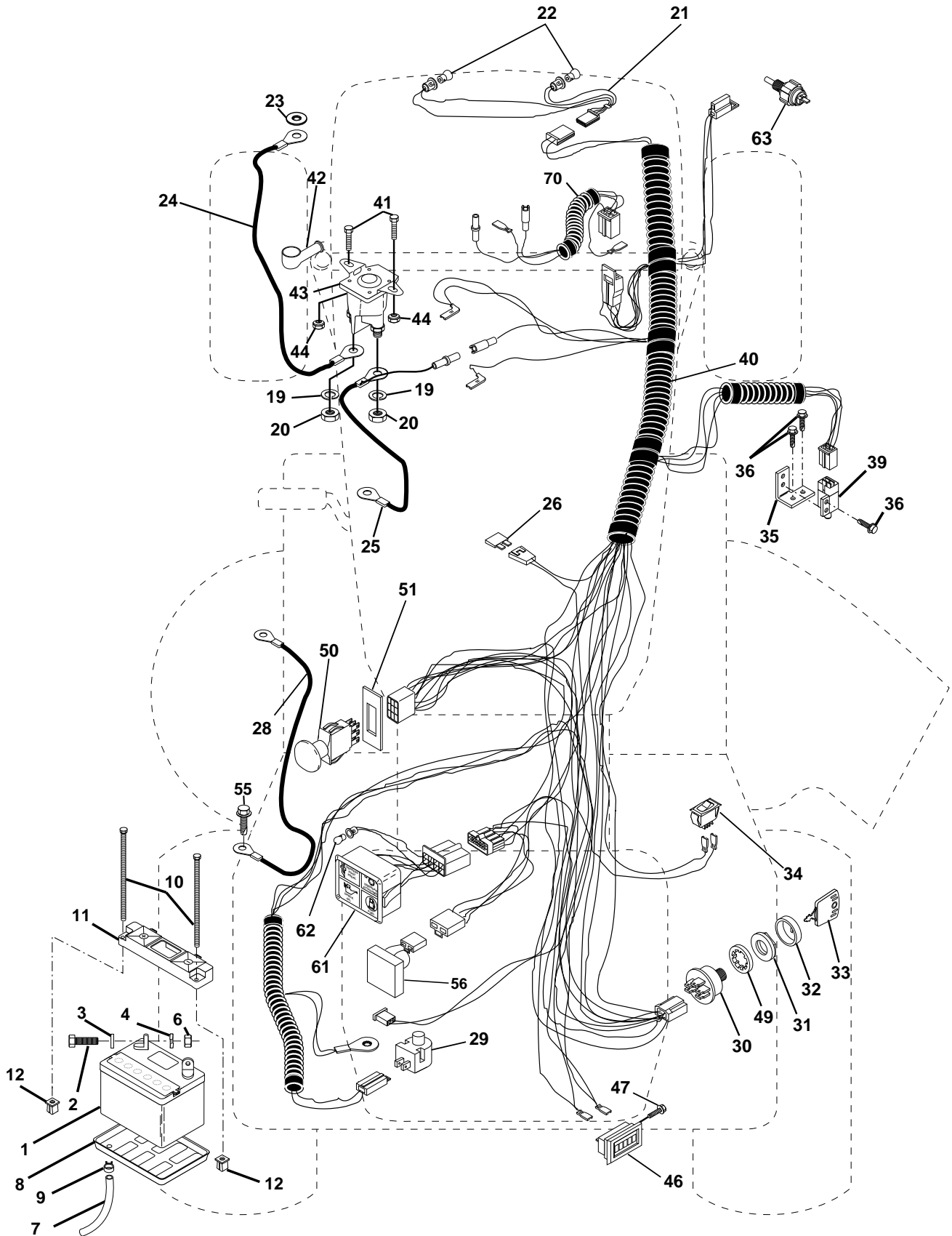
POSITION	CIRCUIT
OFF	C + G
ON	C + F, B + E, A + D



REPAIR PARTS

TRACTOR - - MODEL NUMBER YT190 (954001982A)

ELECTRICAL



REPAIR PARTS

TRACTOR - - MODEL NUMBER YT190 (954001982A)

ELECTRICAL

KEY NO.	PART NO.	DESCRIPTION
1	532144926	Battery
2	874760412	Bolt, Hex Head 1/4-20 x 3/4
3	819091016	Washer 9/32 x 5/8 x 16 Gauge
4	810040400	Washer, Lock 1/4
6	873220400	Nut, Hex 1/4-20
7	532007697	Tube, Tray, Battery
8	532124886	Tray, Battery
9	532109596	Clamp, Hose
10	532145211	Bolt Battery Frt 1/4-20 x 3/4 Zinc
11	532145209	Holddown Battery Dash Mount
12	532145769	Push Nut Nylon 1/4" Battery Fnt.
19	810090400	Washer, Lock 1/4
20	873350400	Nut, Hex, Jam 1/4-20
21	532136850	Harness, Socket, Light (Includes Key #11)
22	532004152	Bulb, Light
24	532124780	Cable Starter 6 Ga. 11" Red
25	532146148	Cable 6 Ga. Red 22' W/16 Wire
26	532108824	Fuse
28	532145491	Cable, Ground 21" Black 6 Ga.
29	532121305	Switch, Plunger
30	532144921	Switch, Ignition
31	532140400	Nut, Ignition
32	532141226	Bezel, Ignition
33	532140401	Key, Molded
34	532110712	Switch, Light
35	532108236	Bracket Switch Interlock
36	817021008	Screw, Hex Tap #10-24 UNC
39	532109553	Switch, Intlk 4 Term
40	532146061	Harness, Ignition
41	871110408	Bolt, Blk Fin Hex 1/4-20 Unc x 1/2
42	532131563	Cover, Terminal
43	532145673	Solenoid
44	873640400	Nut Keps Blk Hex 1/4-20 Unc
46	532110940	Meter, Hour
47	817011008	Screw #10-24 x 1/2
49	811151000	Washer Lock Internal Tooth 5/8
50	532140404	Switch, P.T.O.
51	532140405	Ring, Retainer PTO
55	817490508	Screw Thdrol 5/16-18 x 1/2
56	532127385	Sensor, Low Voltage
61	532126519	Package, Light
62	532110143	Bulb Dashboard Light 27 amp.
63	532142320	Switch, Engine Oil Pressure
70	532149961	Harness Eng. B&S

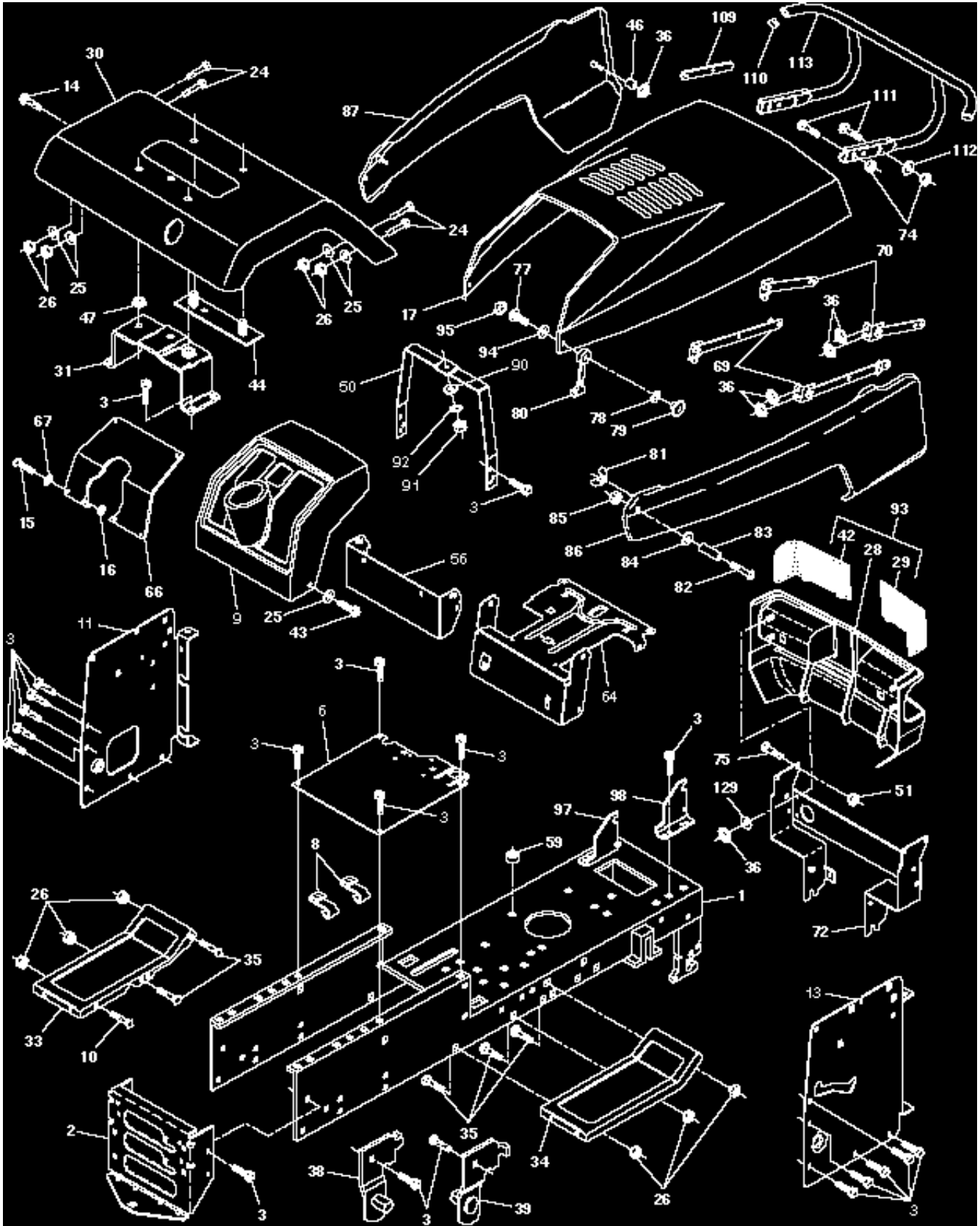
NOTE: All component dimensions given in U.S. inches.

1 inch = 25.4 mm

REPAIR PARTS

TRACTOR - - MODEL NUMBER YT190 (954001982A)

CHASSIS AND ENCLOSURES



REPAIR PARTS

TRACTOR - - MODEL NUMBER YT190 (954001982A)

CHASSIS AND ENCLOSURES

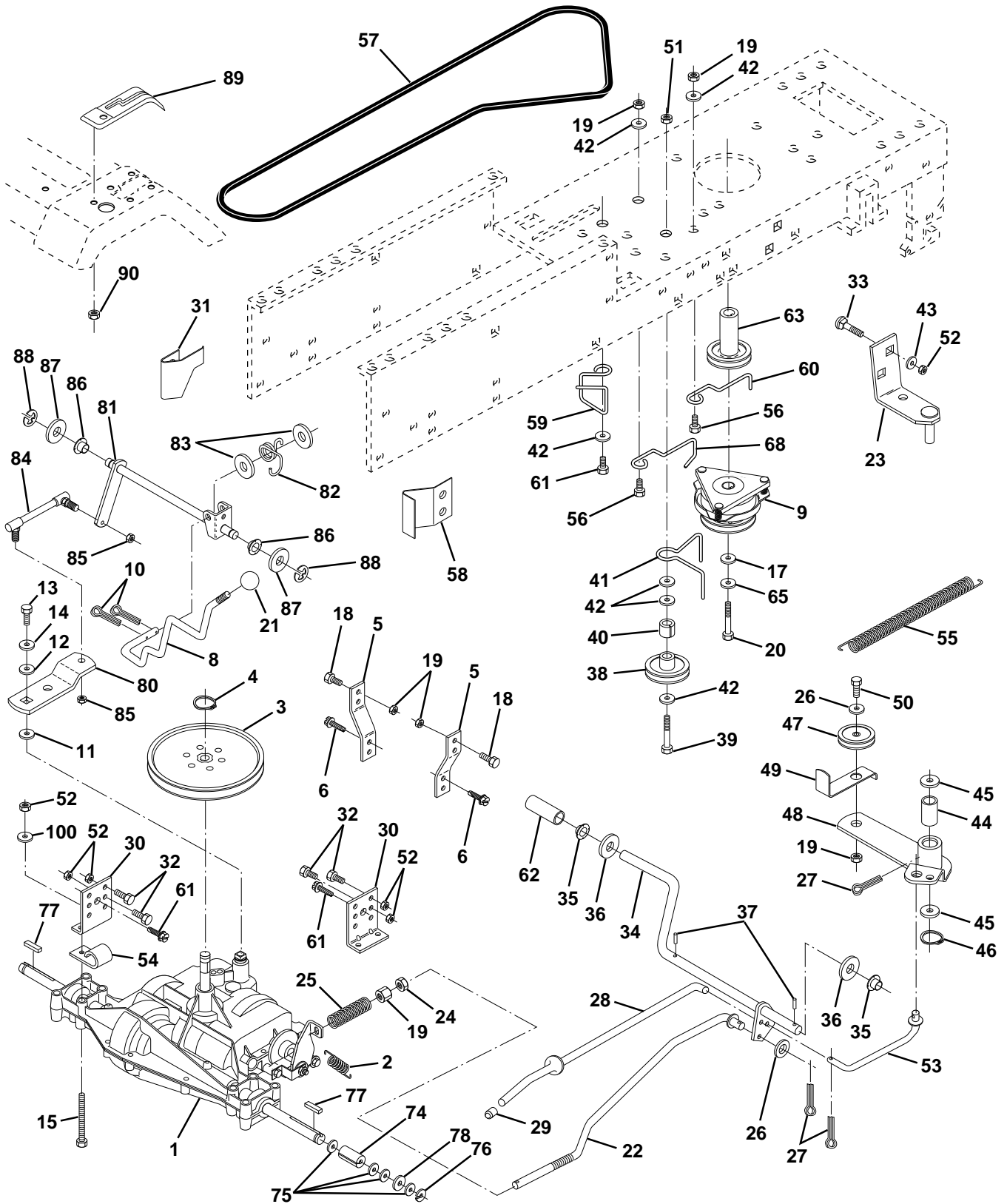
KEY NO.	PART NO.	DESCRIPTION	KEY NO.	PART NO.	DESCRIPTION
1	532145501	Chassis WLDMT 11 Ga.	67	819111116	Washer 11/32 x 11/16 x 16 Gauge
2	532140356	Drawbar	69	532106784	Strap Assembly, Hinge, Rear
3	817490612	Screw, Thd., Roll. 3/8-16 x 3/4	70	532104618	Strap Assembly, Hinge, Front
6	532145206	Saddle	72	532124574	Support Assembly, Grille
8	532126471	Clip Insulator	74	873680600	Nut Crownlock 3/8-16 UNC
9	532140452	Dashboard	75	532123481	Bolt, Shoulder 1/4-20 UNC
10	872140608	Bolt, Carriage 3/8-16 UNC x 1	77	874191008	Screw, Machine, Cross Pan Head #10-24 x 1/2
11	532145218	Dash Panel, LH	78	810071000	Washer, Lock #10
13	532145217	Dash Panel, RH	79	532125004	Nut, Weld
14	817490608	Screw Thdrol. 3/8-16 x 1/2	80	532109808	Latch, Chute
15	874180512	Screw, Machine 5/16-18 UNC x 3/4	81	532123198	Nut Plastic Locking Wing 1/4-20
16	873510500	Nut, Hex, Keps 5/16-18 UNC	82	874981020	Screw, Machine, Cross Pan Head #10-24 x 1-1/4
17	532125454	Hood	83	532007206	Spacer, Split #10 x 3/4
24	874780616	Bolt, Hex, Fin. 3/8-16 UNC x 1	84	819070818	Washer 7/32 x 1/2 x 18 Gauge
25	819131312	Washer 13/32 x 13/16 x 12 Gauge	85	873731000	Nut, Hex, Keps #10-24 UNC
26	873800600	Nut Lock Hex W/Ins. 3/8-16 UNC	86	532143365	Side Panel, RH
28	532127325	Grille	87	532143364	Side Panel, LH
29	532124251	Lens, Headlight, RH, Smoked	90	819091216	Washer 9/32 x 3/4 x 16 Gauge
30	532141449	Fender	91	873220400	Nut, Hex, Fin. 1/4-20 UNC
31	532137113	Bracket Fender	92	810040400	Washer, Lock, Hvy Helical 1/4
33	532147203	Footrest, LH	93	532127320	Grill Assembly
34	532147202	Footrest, RH	94	532110357	Washer, Cap
35	872110606	Bolt, Carriage 3/8-16 x 3/4	95	532110356	Cap, Black
36	532108067	Nut Pal	97	532110853	Pivot Bracket Assembly, LH
38	532139886	Pivot Bracket Assembly, Rear, LH	98	532110852	Pivot Bracket Assembly, RH
39	532139887	Pivot Bracket Assembly, Rear, RH	109	532141461	Bracket Extension Bumper
42	532124250	Lens, Headlight, LH, Smoked	110	532143679	Plug Plastic
43	817490612	Screw Thdrol 3/8-16 x 3/4 Ty-Tt	111	872140610	Bolt, Carriage 3/8-16 x 1-1/4
44	532140675	Strap Asm. Fender	112	819131316	Washer 13/32 x 13/16 x 16 Ga.
46	532127316	Retainer	113	532141460	Bumper Asm
47	532105531	Nut Push Nylon	129	819091016	Washer 9/32 x 5/8 x 16 Ga.
50	532145205	Support, Dash	—	532121794	Cover Access
51	873800400	Nut Lock w/Ins. 1/4-20 UNC	—	532125085	Plug Dash
56	532145151	Dash Extension			
59	532110436	Bushing Snap Split			
64	532145095	Dash, Lower			
66	532141626	Plate, Dash			

NOTE: All component dimensions given in U.S. inches
1 inch = 25.4 mm

REPAIR PARTS

TRACTOR - - MODEL NUMBER YT190 (954001982A)

DRIVE



REPAIR PARTS

TRACTOR - - MODEL NUMBER YT190 (954001982A)

DRIVE

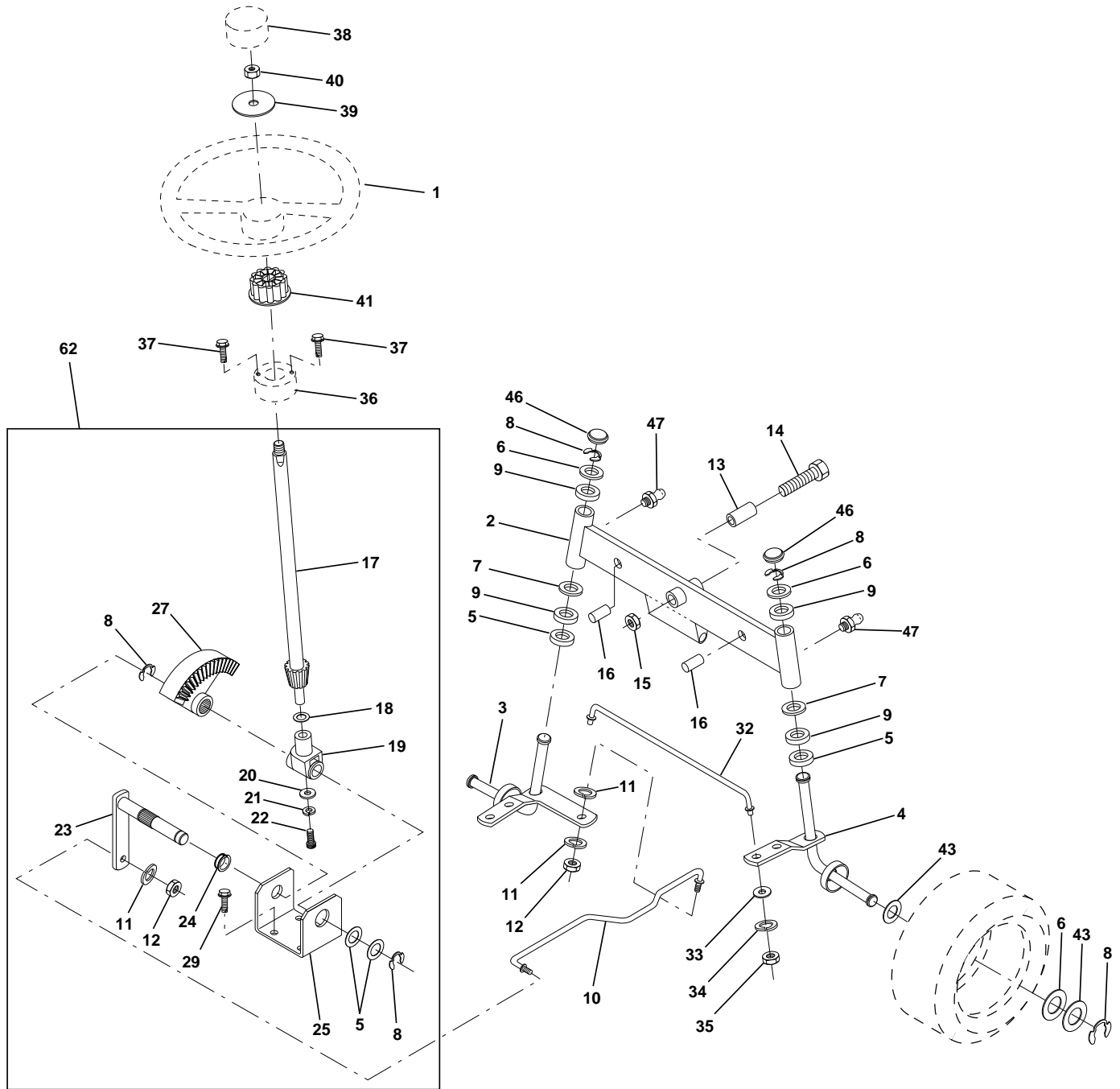
KEY NO.	PART NO.	DESCRIPTION	KEY NO.	PART NO.	DESCRIPTION
1	532145605	Transaxle 6sp Dana LT Model # 4360-96	44	532105706	Bearing Nyl 503 X 628 X 1 25
2	532146682	Spring Return Brake	45	532110812	Washer Hardened
3	532123666	Pulley Transaxle 20"tires	46	812000039	Ring Klip #5304-50
4	812000028	Ring Retainer # 5100-62	47	532127783	Pulley Idler V Groove Plastic
5	532121520	Strap Torque 30 Degrees	48	532123789	Bellcrank Asm Clutch
6	817490512	Screw Thdrol 5/16-18 X 3/4 TYT	49	532123205	Retainer Belt Style Spring
8	532141002	Rod Shifter	50	874760624	Bolt Hex Hd 3/8-16unc X 1-1/2
9	532137140	Clutch Electric	51	873680600	Nut Crownlock 3/8-16 Unc
10	876020416	Pin Cotter 1/8 X 1 Cad	52	873680500	Nut Crownlock 5/16 - 18
11	532105701	Washer Plate Shf 388 Sq Hole	53	532105710	Link Clutch 7 66
12	819151216	Washer 15/32 X 3/4 X 16 Ga	54	532124996	Clip Fuel Line 13/32 Mtg. Hole
13	874550412	Bolt 1/4-28 unf Gr 8 w/Patch	55	532105709	Spring Return Clutch 6 75
14	810040400	Washer Lock Hvy Helical 1/4	56	874760620	Bolt Fin Hex 3/8-16unc X 1-1/4
15	874780544	Bolt Fin Hex 5/16-18uncx 2 3/4	57	532130801	V-Belt Ground Drive 95 25 42"
17	532126197	Washer 1-1/2 OD X 15/32 ID X .250	58	532127274	Keeper Belt RH LT Pnt/zinc 16g
18	874780616	Bolt Fin Hex 3/8-16unc X 1 Gr. 5	59	532140312	Keeper Belt Chassis Span Ctr
19	873800600	Nut Lock 3/8-16 Unc	60	532121218	Keeper Belt Engine LH LT
20	871170768	Bolt, Hex 7/16-20 x 4-1/4	61	817490612	Screw Thdrol 3/8-16x3/4 Ty-tt
21	532121274	Knob Duckhead 3/8-16unc Blk	62	532123533	Cover Pedal Premuim
22	532130804	Rod Brake Blk Zinc 27 326	63	532140189	Engine Pulley LT/YT
23	532137141	Bracket Asm. Clutch	65	810040700	Washer Lock Hvy Hicl Spr 7/16
24	873350600	Nut Hex Jam 3/8-16 Unc	68	532105730	Keeper Belt Engine BZP Zinc
25	532106888	Spring Rod Brake 2 00 Zinc	74	532109502	Spacer Split
26	819131316	Washer 13/32 X 13/16 X 16 Ga	75	532121749	Washer 25/32 X 1 1/4 X 16 Ga
27	876020412	Pin Cotter 1/8 X 3/4 Cad	76	812000001	E-ring #5133-75
28	532145204	Rod Brake Parking	77	532123583	Key Square 2 0 X 1845/ 1865
29	532071673	Cap Brake Parking Black	78	532121748	Washer 25/32 X 1-5/8 X 16 Ga
30	532130807	Bracket Mtg Transaxle	80	532131487	Arm Shift Transaxle
31	532127275	Keeper Belt LH LT 14 Ga	81	532136933	Shaft Asm Cross 20"t 42"deck
32	874760512	Bolt Hex Hd 5/16-18unc X 3/4	82	532123782	Spring Torsion T/a
33	872140506	Bolt, Carriage 5/16-18 x 3/4	83	819171216	Washer 17/32 X 3/4 X 16 Ga
34	532149001	Shaft Asm Pedal Foot	84	532132183	Rod Tie Shift Adj Ball
35	532120183	Bearing Nylon Blk 629 Id	85	873530400	Nut Nylock 1/4-28
36	819211616	Washer 21/32 X 1 X 16 Ga	86	532071208	Bushing Rod Strg 629/632 Id
37	532124963	Pin Roll 3/16 X 1"	87	819212016	Washer 21/32 X 1-1/4 X 16 Ga
38	532123674	Pulley Idler Flat	88	812000008	Ring Klip #5304-62
39	874760644	Bolt Fin Hex 3/8-16unc X 2-3/4	89	532139991	Console Shift 6sp W/ign LT
40	532124965	Spacer Split 395 X 59 Bzp	90	532124346	Nut Self-thd wsh-hd 1/4 zinc
41	532109070	Keeper Belt Retainer	100	819111216	Washer 11/32 x 3/4 x 16 Ga.
42	819131312	Washer 13/32 X 13/16 X 12 Ga			
43	819111012	Washer 11/32 x 5/8 x 12 Ga.			

NOTE: All component dimensions given in U.S. inches
1 inch = 25.4 mm

REPAIR PARTS

TRACTOR - - MODEL NUMBER YT190 (954001982A)

STEERING ASSEMBLY



REPAIR PARTS

TRACTOR - - MODEL NUMBER YT190 (954001982A)

STEERING ASSEMBLY

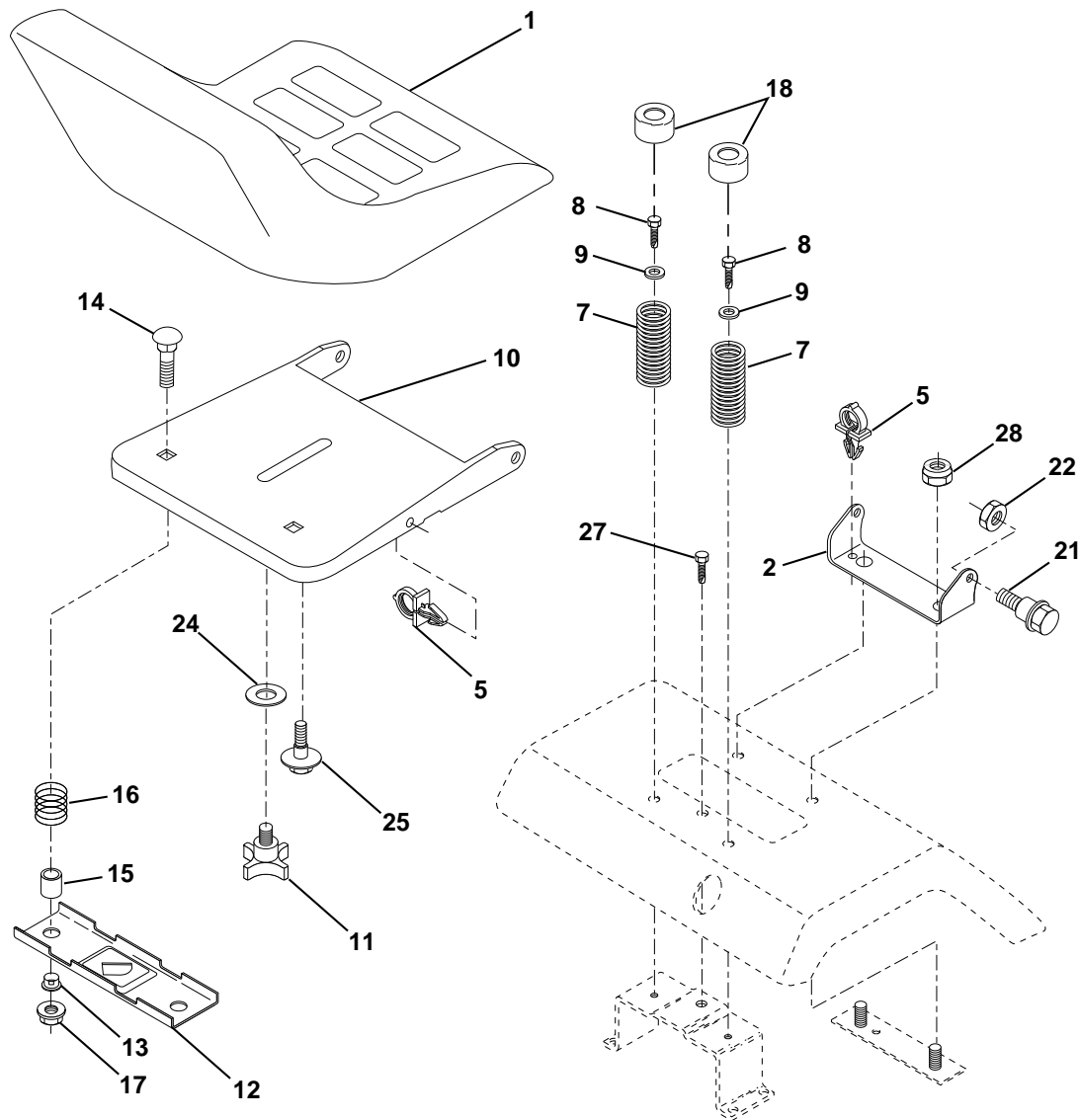
KEY NO.	PART NO.	DESCRIPTION
1	532124415	Wheel Steering Auto Grey
2	532142033	Axle Asm Fr LT W/gzks 38/42
3	532135227	Spindle Asm LH
4	532135228	Spindle Asm RH
5	532124931	Bearing Race Thrust Harden
6	532121748	Washer 25/32 X 1-5/8 X 16 Ga
7	819272016	Washer 27/32 X 1-1/4 X 16 Ga
8	812000029	Ring Klip #t5304-75
9	532124937	Bearing Col Strg Blk
10	532130468	Link Drag Sol Ball Jt 20 064
11	810040600	Washer Lock Hvy Hlcl Spr 3/8
12	873610600	Nut Fin Hex 3/8-24 Unf
13	532110438	Spacer Bearing Axle Front
14	874011056	Bolt Hex 5/8-11 Unc X 3-1/2
15	873901000	Nut Lock Flange 5/8-11 Unc
16	532132624	Pin Axle 5/8 X 1 55/1 54 Lg
17	532128762	Shaft Asm Strg 20 31 x 3/4 YP YT
18	532057079	Washer Thrust 515x 750x 033
19	532124035	Support Shaft
20	532126684	Washer Shim 1/4 X 5/8 X 062
21	810040400	Washer Lock Hvy Helical 1/4
22	871070410	Screw Hex Socket 1/4-20 X 5/8
23	532127501	Shaft Asm Pittman
24	532109816	Nyliner Snap In
25	532124036	Bracket Steering
27	532136874	Gear Sector
29	817490612	Screw Thdrol 3/8-16x3/4 Ty-tt
32	532130467	Rod Tie Wire Form 19 75 Elec
33	819111216	Washer 11/32 x 3/4 x 16 Ga.
34	810040500	Washer, Lock Hvy Hlcl Spr 5/16
35	873810500	Locknut 5/16-24 Unf
36	532145207	Bushing Strg Angle 3/4"
37	817541008	Screw Slftp #10-16 X 1/2 Tt-b
38	532124416	Insert Cap Strg Wh Aut Hus Gry
39	532100712	Washer 53 X 2 25 X 160 Zinc
40	873940800	Nut Hex Jam Toplock 1/2-20 Unf
41	532100711	Adapter Wheel Strg 758/ 753id
43	532121749	Washer 25/32 X 1 1/4 X 16 Ga
46	532121232	Cap Spindle Fr Top Blk
47	532124836	Fitting Grease
62	532149683	Steering Assembly

NOTE: All component dimensions given in U.S. inches
1 inch = 25.4 mm

REPAIR PARTS

TRACTOR - - MODEL NUMBER YT190 (954001982A)

SEAT ASSEMBLY



KEY NO.	PART NO.	DESCRIPTION
1	532124186	Seat V-550 Gry/blk Std
2	532140551	Bracket Pivot Seat 8 720
5	532145006	Clip Push-in Hinged
7	532124181	Spring Seat Cprsn 2 250 Blk Zi
8	817490508	Screw Hwsh Thdrol 5/16-18 x 1/2
9	819131614	Washer 13/32 X 1 X 14 Ga
10	532140552	Pan Seat
11	532120068	Knob Seat 1/2-13unc Blk
12	532121246	Bracket Mounting Switch
13	532121248	Bushing Snap Blk Nyl 50 Id
14	872050411	Bolt Rdhd Sht Nk 1/4-20x1-3/8
15	532121249	Spacer Split 28x 88 Yel Zinc

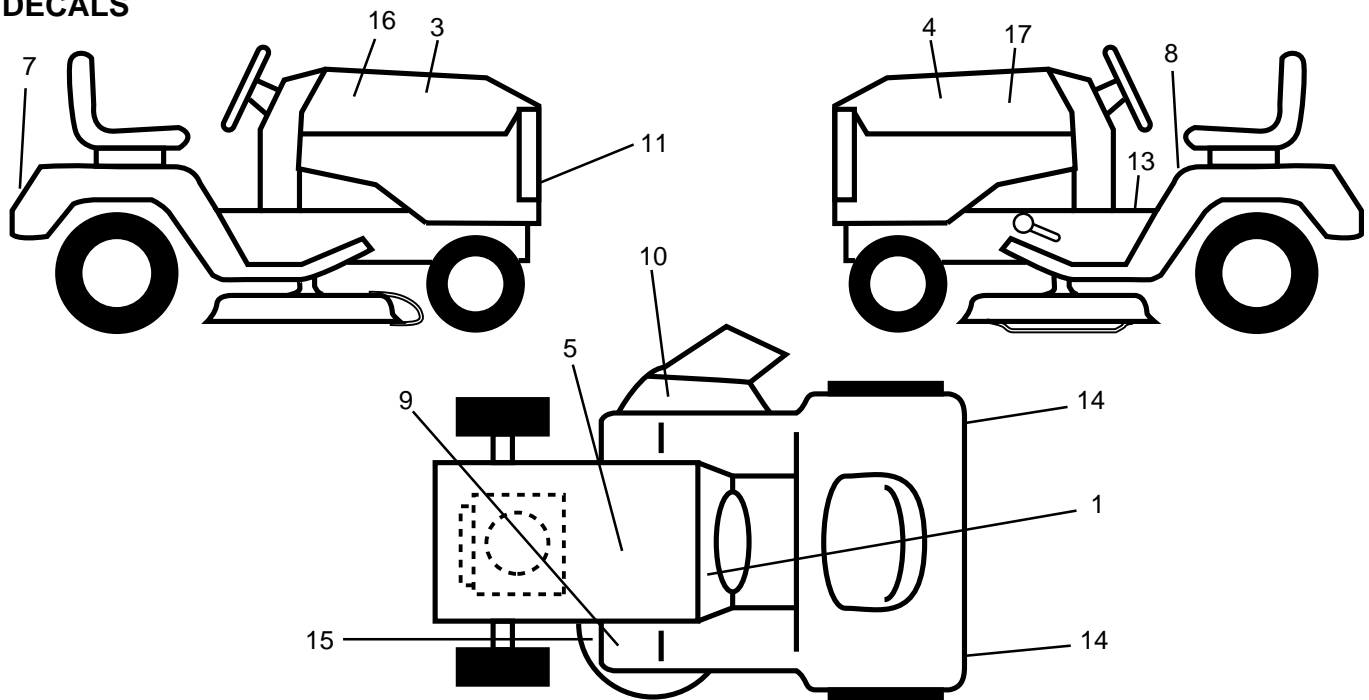
KEY NO.	PART NO.	DESCRIPTION
16	532123740	Spring Cprsn 1 310 Blk Pnt
17	532123976	Nut Lock 1/4 Lge Flg Gr 5 Zinc
18	532124238	Cap Spring Seat
21	532139888	Bolt Shoulder 5/16-18 Unc Blkz
22	873680500	Nut Crown Lock 5/16-18
24	819171912	Washer 17/32 X 1-3/16 X 12 Ga
25	532127018	Bolt Shoulder 5/16-18 X 62
27	817490608	Screw Thdrol 3/8 - 16 x 1/2 Ty-TT
28	873680600	Nut Crownlock 3/8-16 Unc

NOTE: All component dimensions given in U.S. inches
1 inch = 25.4 mm

REPAIR PARTS

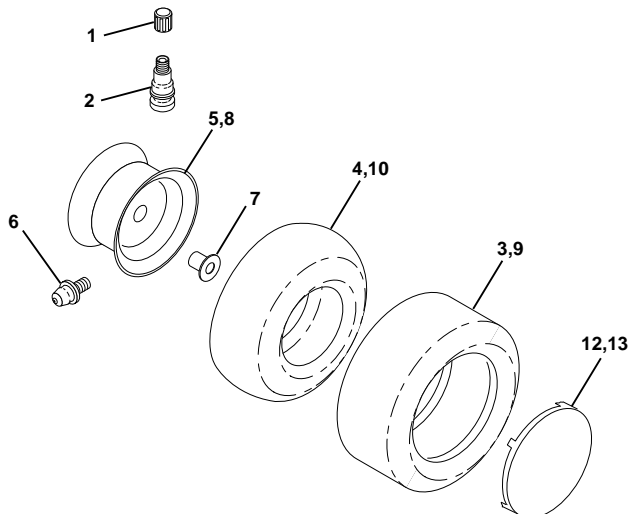
TRACTOR -- MODEL NUMBER YT190 (954001982A)

DECALS



KEY NO.	PART NO.	DESCRIPTION	KEY NO.	PART NO.	DESCRIPTION
1	532138956	Decal Instruction Dash Eng/fr	16	532149930	Decal Insert Hood Rh
3	532140728	Decal Hood RH Husq	17	532149931	Decal Insert Hood Lh
4	532140729	Decal Hood LH Husq	-	532145247	Fastner Pop In Footrest
5	532145005	Decal Bat Dan/Poi P/L Symbols	-	532145246	Pad Footrest Rbr. Sq. Generic 95
7	532131582	Decal Fender Husqvarna	-	532138311	Decal Lift Handle(Lift Handle)
8	532133795	Decal Caution Fender Eng/fr	-	532149962	Manual Owners, English
9	532101892	Decal Clutch/brake Eng/fr	-	532149963	Manual Owners, French
10	532137259	Decal Warning MULT-LANGUAGE	Available accessories not included with tractor:		
11	532125989	Decal Grille Husqvarna	-	MK420	Mulching Kit
13	532140837	Decal Brake Parking Saddle	-	LSB42	Snow Blower
14	532106202	Reflector Tail Light Red/amber	-	LC05	33 lb. wheel weights (Pair)
15	532136832	Decal V-Belt Mower Multi-Lang.	-	C42	Grass Catcher for 42"
			-	LBD48	Snow Blade
			-	LC06	Tire Chains

WHEELS & TIRES



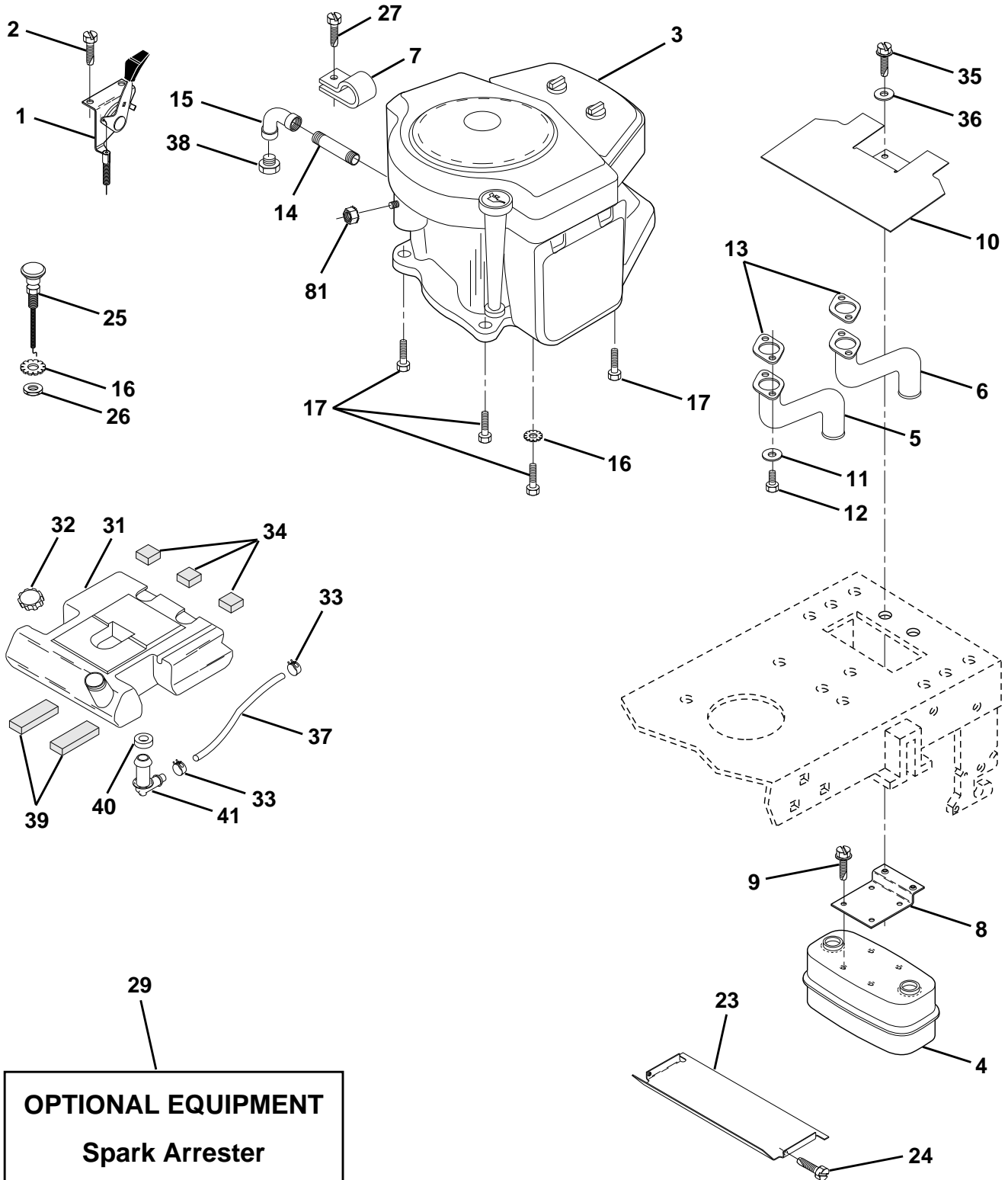
KEY NO.	PART NO.	DESCRIPTION
1	532059192	Cap Valve Tire
2	532065139	Stem Valve
3	532106222	Tire F Ts 15 X 6 0 - 6 Service
4	532059904	Tube Front (Service Item Only)
5	532141446	Rim Asm 6" front White Service
6	532124957	Fitting Grease (Front Wheel Only)
7	532124959	Bearing Flange (Front Wheel Only)
8	532141447	Rim Asm 8"rear White Service
9	532122082	Tire R Ts 20 10 C Service
10	532124926	Tube Rear (Service Item Only)
12	532124577	Cover Wheel 6"white
13	532124578	Cover Wheel 8"white
--	532144334	Sealant, Tire (10 oz. Tube)

NOTE: All component dimensions given in U.S. inches
1 inch = 25.4 mm

REPAIR PARTS

TRACTOR - - MODEL NUMBER YT190 (954001982A)

ENGINE



REPAIR PARTS

TRACTOR - - MODEL NUMBER YT190 (954001982A)

ENGINE

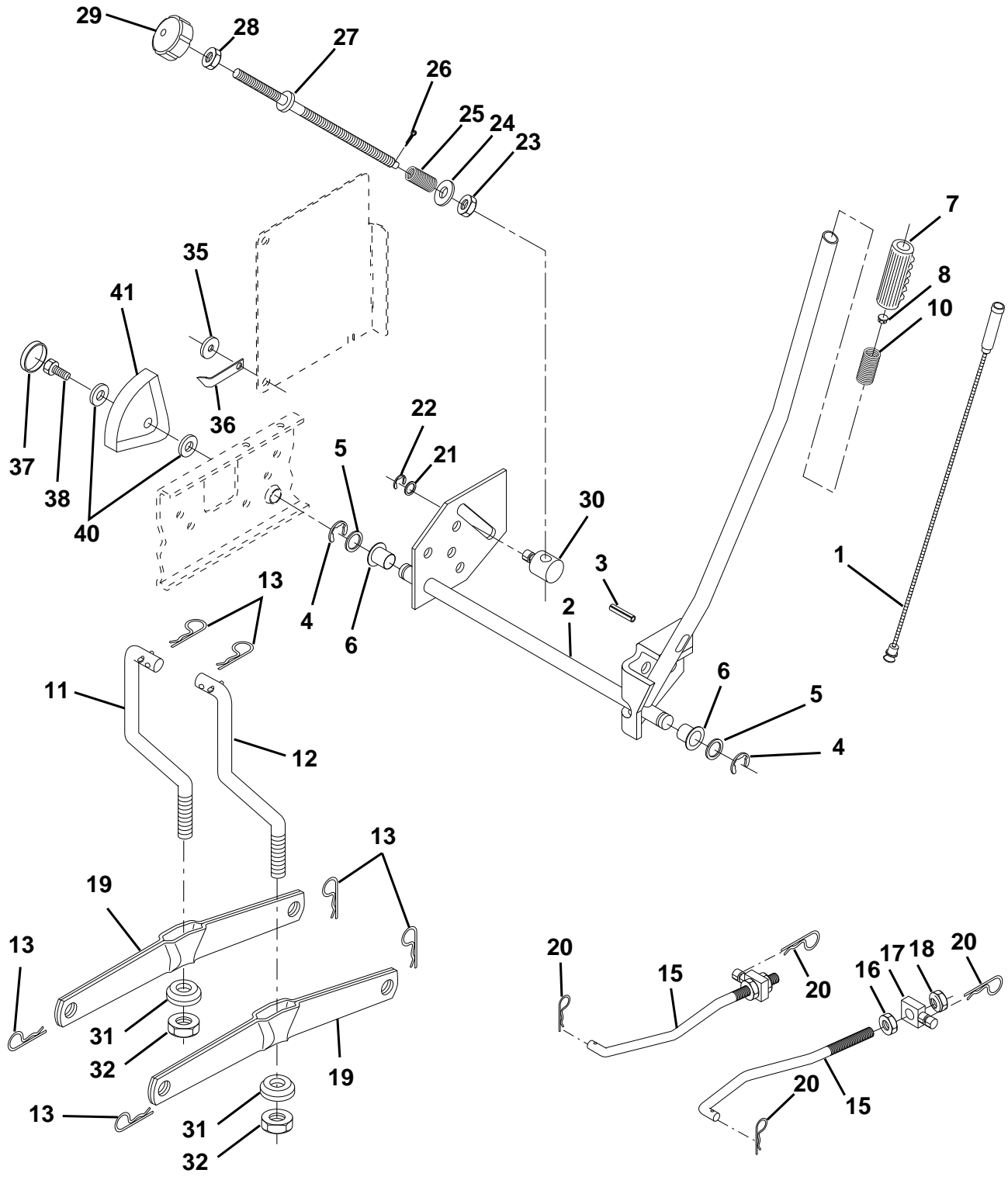
KEY NO.	PART NO.	DESCRIPTION
1	532132748	Control Throt Rh Hg 44.75
2	817720410	Screw Hex Thd Cut 1/4-20x5/8 T
3	-----	Engine Model No. 42A777
4	532137978	Muffler LT B&S
5	532144069	Tube Manifold LH
6	532144068	Tube Manifold RH
7	532138129	Clamp Tube Double Engine
8	532122439	Bracket Muffler Mounting
9	817190408	Screw Hex Wsh Thd Cut 1/4-20
10	532145552	Shield Heat LT
11	810040400	Washer Lock Hvy Helical 1/4
12	874780412	Bolt fin Hex 1/4-20 Unc x .75
13	532272250	Muffler Gasket
14	813280336	Nipple Pipe 3/8 Npt X 4-1/2"
15	813200300	Elbow Std 90 Degree 3/8-18 Npt
16	811050600	Washer Lock Ext Tooth 3/8
17	817490624	Screw Thdrol 3/8-16 x 1-1/2
23	532128953	Shield Heat Browning LT/YT
24	817021008	Screw Tap Hex #10-24unc X 1/2
25	532138672	Choke Control
27	817541008	Screw Slftp #10-24 x 1/2 Tt-B
26	873610600	Nut, Fin Hex 3/8-24 Unf
29	532137180	Kit Spark Arrestor (Flat Scrn)
31	532141070	Tank Fuel 3 50 Rear
32	532140527	Cap Asm Fuel W/sym Vented
33	532123487	Clamp Hose Blk
34	532106082	Pad, Spacer
35	817490512	Screw Thdrol 5/16-18 x 3/4
36	819132012	Washer 13/32 x 1-1/4 x 12 Ga.
37	532008543	Line Fuel 54"
38	-----	Plug Oil Drain (Order From Engine Manufacturer)
39	532109227	Pad, Idler
40	532124952	Bushing
41	532139277	Stem Tank Fuel
81	873510400	Nut Keps Hex 1/4-20 Unc

NOTE: All component dimensions given in U.S. inches.
1 inch = 25.4 mm

REPAIR PARTS

TRACTOR - - MODEL NUMBER YT190 (954001982A)

MOWER LIFT ASSEMBLY



REPAIR PARTS

TRACTOR - - MODEL NUMBER YT190 (954001982A)

MOWER LIFT ASSEMBLY

KEY NO.	PART NO.	DESCRIPTION
1	532136971	Wire Asm Inner W/plunger 20 56
2	532136968	Shaft Asm Lift RH w/Inf W/T
3	532138284	Pin Groove 1 500 Zinc
4	812000002	E Ring #5133-62
5	819211621	Washer 21/32 X 1 X 21 Ga
6	532120183	Bearing Nylon Blk 629 Id
7	532125631	Grip Handle Fluted Blk
8	532124526	Button Plunger Black
10	532122512	Spring Cprsn 3 750 Oiled
11	532139865	Link Lift LH Fixed Length
12	532139866	Link Lift RH Fixed Length
13	532124670	Retainer Spring
15	532127218	Link Front
16	873350800	Nut Jam Hex 1/2-13 Unc
17	532130171	Trunnion Blk Zinc
18	873800800	Nut Lock W/wsh 1/2-13unc
19	532139868	Arm Suspension Rear
20	532124660	Retainer Spring
21	819151216	Washer 15/32 X 3/4 X 16 Ga
22	812000037	Ring Klip #5304-37
23	532110807	Nut Special
24	819131016	Washer 13/32 X 5/8 X 16 Ga
25	532137150	Spring Compression
26	876020308	Pin Cotter 3/32 X 1/2
27	532137167	Rod Adj Lift Zinc 9 75 Wrk Lg
28	873350600	Nut Hex Jam 3/8-16 Unc
29	532138057	Knob Inf 3/8-16 Unc Blk W/sym
30	532110810	Trunnion Dp Stop Dbl Thds PLT
31	532140302	Bearing Pvt Lift Spherical
32	873540600	Nut Crownlock 3/8-24
35	532120529	Washer Nylon .44 x .75 x .032
36	532138346	Pointer Pnt Height ind .505
37	532123935	Plug Hole Blk 1.485/1.515 Dia.
38	817490512	Screw Thdrol 5/16-18 x 3/4
40	819112410	Washer 11/32 x 1-1/2 10 Ga.
41	532123934	Scale Ind. Height Blk.

NOTE: All component dimensions given in U.S. inches
1 inch = 25.4 mm

REPAIR PARTS

TRACTOR - - MODEL NUMBER YT190 (954001982A)

MOWER DECK

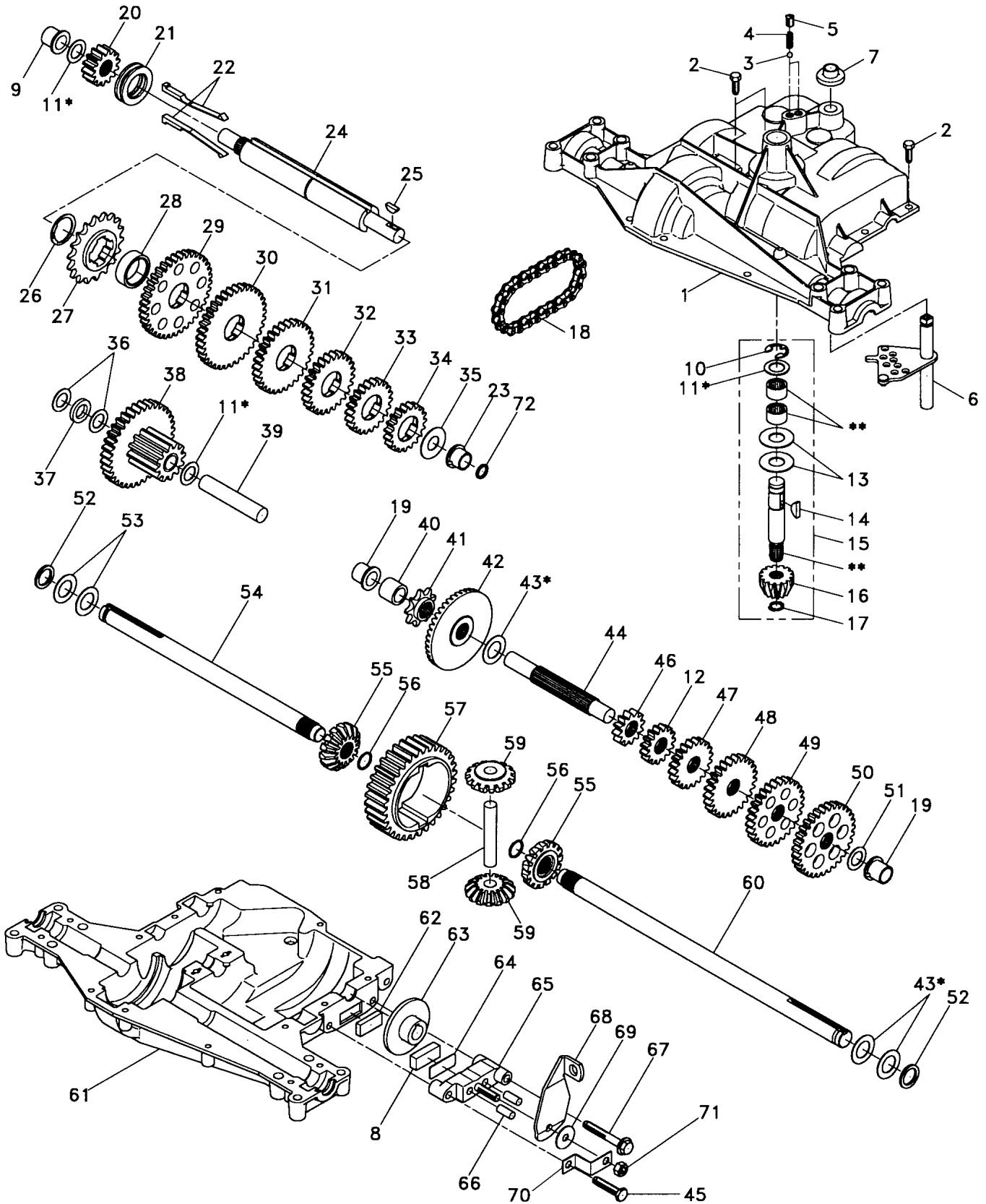
KEY NO.	PART NO.	DESCRIPTION	KEY NO.	PART NO.	DESCRIPTION
1	532144393	Deck Asm MWR 42"weldment	55	532140084	Arm Idler 42"mower LT/YT
2	872140506	Bolt Rdhd Sqnk 5/16-18unc X3/4	56	532122052	Spacer Retainer Pm Mower
3	532138017	Bracket Asm Fr Sway Bar 38/42	59	532141043	Guard, Belt
4	532138440	Bracket Asm Deck 42"sway Bar	61	532131950	Spring Ext. Elect
5	532124670	Retainer Spring	68	532144200	V-Belt Mower
6	532130832	Arm Suspension Rear	83	532120958	Washer Sintered
8	532850857	Bolt 3/8-24x1 25 Gr8 Patched	84	532144394	Keeper Belt Idler Fixed
9	810030600	Washer Lock Hvy 3/8 Unplated	85	872140618	Bolt Carriage 3/8-16 x 2-1/4
10	532140296	Washer Hard Blade Mower Vented	90	874760616	Bolt Fin Hex 3/8-16unc X 1
11	532134149	Blade Mower Mulching 42"	91	532132274	Bracket Asm Noseroller LH
12	532129895	Bearing Ball #6204 (Mandrel)	92	873800600	Nut Lock 3/8-16 Unc
13	532137645	Shaft Asm W/lower Bearing	93	819171416	Washer 17/32 X 7/8 X 16 Ga
14	532128774	Housing Mandrel Vented(machd)	94	532132264	Roller Nose 38 & 42
15	532110485	Bearing Ball Mandrel	95	532132273	Bracket Asm Noseroller RH
16	532140329	Stripper Mower Vented	101	532136420	Cover Mulching 42" Black
17	872110618	Bolt Carriage 3/8-16 X 2-1/4	102	871161010	Screw
18	872140505	Bolt Carr 5/16-18 X 5/8	103	819061216	Washer #10
19	532132827	Bolt Shoulder	104	810071000	Washer Lock #10
20	532136888	Baffle Vortex 42	105	532130758	Latch Asm. Bagger
21	873680500	Nut Crown Lock 5/16-18	106	532125004	Nut Weld
22	532134753	Stiffener Bracket 42"deck	111	532140353	Bracket Wheel Gauge Lh 42" Deck
23	532131267	Bracket Deflector Mower 42"	112	532132262	Bracket Wheel Gauge Rh 42" Deck
24	532105304	Cap Sleeve 80x 112 Blk Mower	113	817490512	Screw Thdrol 5/16-18 x 3/4
25	532123713	Spring Torsion Deflector 2 52	114	873510500	Nut Keps 5/16-18 UNC
26	532110452	Nut Push Phos & Oil	115	872110504	Bolt Carriage 5/16-Unc x 1/2
27	532130968	Shield Deflector Mower 42" Blk	116	532124842	Bolt Shld "A" 2.41 "B" 1.66
28	819111016	Washer 11/32 X 5/8 X 16 Ga	117	532105455	Wheel Gauge blk. 4.93
29	532131491	Rod Hinge 42"6 75 Wlg	118	873930600	Nut Centerlock 3/8-16 UNC
30	532138776	Screw Thdrol Hex Hd Zinc Mwr.	119	819121414	Washer 3/8 x 7/8 x 14 Ga.
31	532129963	Washer Spacer Mower Vented	120	819171512	Washer 17/32 x 15/16 x 12 Ga.
32	532129861	Pulley Mandrel 42"	121	532143723	Bracket Extruded Gauge Wheel
33	532137266	Nut 9/16top Lock Flng Cntr	125	876020816	Pin Cotter 1/4 x 1 Plated
34	872110622	Bolt Rdhd 3/8-16uncx2-3/4 Gr5	--	532145452	Deck Serv 42" Elec Vent (Standard Deck - Order Nose Roller, Mulch Cover and Gauge Wheel components separately Key Nos. 90-95, 101-106, and 111-121)
35	532133835	Fastner Christmas Tree	--	532130794	Mandrel Assembly (Includes Key Numbers 8-10, 12-15, 31 and 33)
36	532131494	Pulley Idler Flat 3 060			
37	819131316	Washer 13/32 X 13/16 X 16 Ga			
38	532132823	Spacer Spring Stop Idler			
40	873680600	Nut Crownlock 3/8-16 Unc			
44	532140088	Guard Mandrel LH Black			
46	532137729	Screw Thdrol 1/4-20x5/8			
54	532133943	Washer Hardened			

NOTE: All component dimensions given in U.S. inches
1 inch = 25.4 mm

REPAIR PARTS

TRACTOR - - MODEL NUMBER YT190 (954001982A)

DANA TRANSAXLE - - MODEL NUMBER 4360-96



REPAIR PARTS

TRACTOR - - MODEL NUMBER YT190 (954001982A)

DANA TRANSAXLE - - MODEL NUMBER 4360-96

KEY PART NO. NO.	DESCRIPTION	KEY PART NO. NO.	DESCRIPTION
1	532132671 Housing, Upper	39	532124639 Shaft, Idler
2	532002274 Screw, Tapping, Large 1/4-20 x .734	40	532120472 Spacer .633 x .87 x .755
3	532134400 Ball, Detent	41	532105928 Sprocket, 9 Teeth (Reverse)
4	532105904 Spring, Detent	42	532106605 Gear, Bevel, 42 Teeth
5	532105905 Screw, Set	43	532134394 Assembly, Kit, Shim, .750 Shaft
6	532138235 Kit, Shifter Assembly	44	532120473 Shaft, Drive
7	532134399 Boot, Shifter	45	532106596 Screw, Tapping, Large 5/16-18 x 1.44
8	532120951 Puck, Friction	46	532142678 Gear, Spur, 12 Teeth (1 st)
9	532148266 Bearing, Flange	47	532120407 Gear, Spur, 20 Teeth (3 rd)
10	532002225 Ring, Retaining	48	532106589 Gear, Spur, 25 Teeth (4 th)
11	532134793 Assembly, Kit, Shim, .625 Shaft	49	532120408 Gear, Spur, 28 Teeth (5 th)
12	532143679 Gear, Spur, 15 Teeth (2 nd)	50	532105937 Gear, Spur, 31 Teeth (6 th)
13	532120415 Washer, Plain .632 x 1.38 x .046	51	532002226 Washer, Plain .632 x 1.00 x .060
14	532142674 Key, Woodruff, #9	52	532134401 Washer, Neoprene
15	532106846 Assembly, Kit, Input Shaft	53	532002264 Washer, Plain .758 x 1.25 x .031
16	532106095 Pinion, Bevel, 14 Teeth	54	532120474 Axle, L.H.
17	532105909 Ring, Retaining	55	532110081 Gear, Miter, 15 Teeth
18	532 105910 Chain, 24 Pitches	56	532105941 Ring, Retaining
19	532105911 Bearing, Flange	57	532110071 Gear, Spur, 32 Teeth
20	532142675 Gear, Spur, 14 Teeth	58	532120952 Shaft, Cross
21	532148267 Collar, Clutch	59	532110082 Gear, Miter, 15 Teeth
22	532138237 Assembly, Kit, Clutch Keys	60	532120475 Axle, R.H.
23	532148268 Bearing, Flange	61	532142680 Housing, Lower
24	532142676 Shaft, Intermediate	62	532120961 Puck, Friction
25	532002244 Key, Woodruff, #61	63	532007294 Disc, Brake
26	532105916 Ring, Retaining	64	532108989 Spacer
27	532120470 Sprocket, 18 Teeth (Reverse)	65	532120953 Jaw, Brake
28	532110070 Spacer	66	532120954 Pin, Dowel
29	532142677 Gear, Spur, 37 Teeth (1 st)	67	532134799 Screw, Tapping 5/16-18 x 2.25
30	532142681 Gear, Spur, 35 Teeth (2 nd)	68	532138244 Lever, Actuating
31	532124644 Gear, Spur, 30 Teeth (3 rd)	69	532108996 Washer, Plain .321 x 1.00 x .055
32	532108980 Gear, Spur, 25 Teeth (4 th)	70	532120956 Bracket, Anti-Rotation
33	532120406 Gear, Spur, 22 Teeth (5 th)	71	873810500 Locknut 5/16-24
34	532134796 Gear, Spur, 19 Teeth (6 th)	72	532148269 Seal, Oil
35	532105925 Washer, Plain .640 x 1.37 x .061	73	532120416 Grease
36	532002232 Washer, Plain .632 x 1.00 x .026		
37	532108978 Spacer .630 x 1.00 x .169		
38	532110079 Assembly, Gear, Combination, 12 Teeth and 35 Teeth		

NOTE: All component dimensions given in U.S. inches
1 inch = 25.4 mm