

ILLUSTRATED PARTS BREAKDOWN

**HUSQVARNA
15.5 HP 42" LAWN TRACTOR
MODEL NO. YT150 (HEYT150H)
954 17 00-04**

REPAIR PARTS

TRACTOR - - MODEL NO. YT150 (HEYT150H) PRODUCT NO. 954 17 00-04

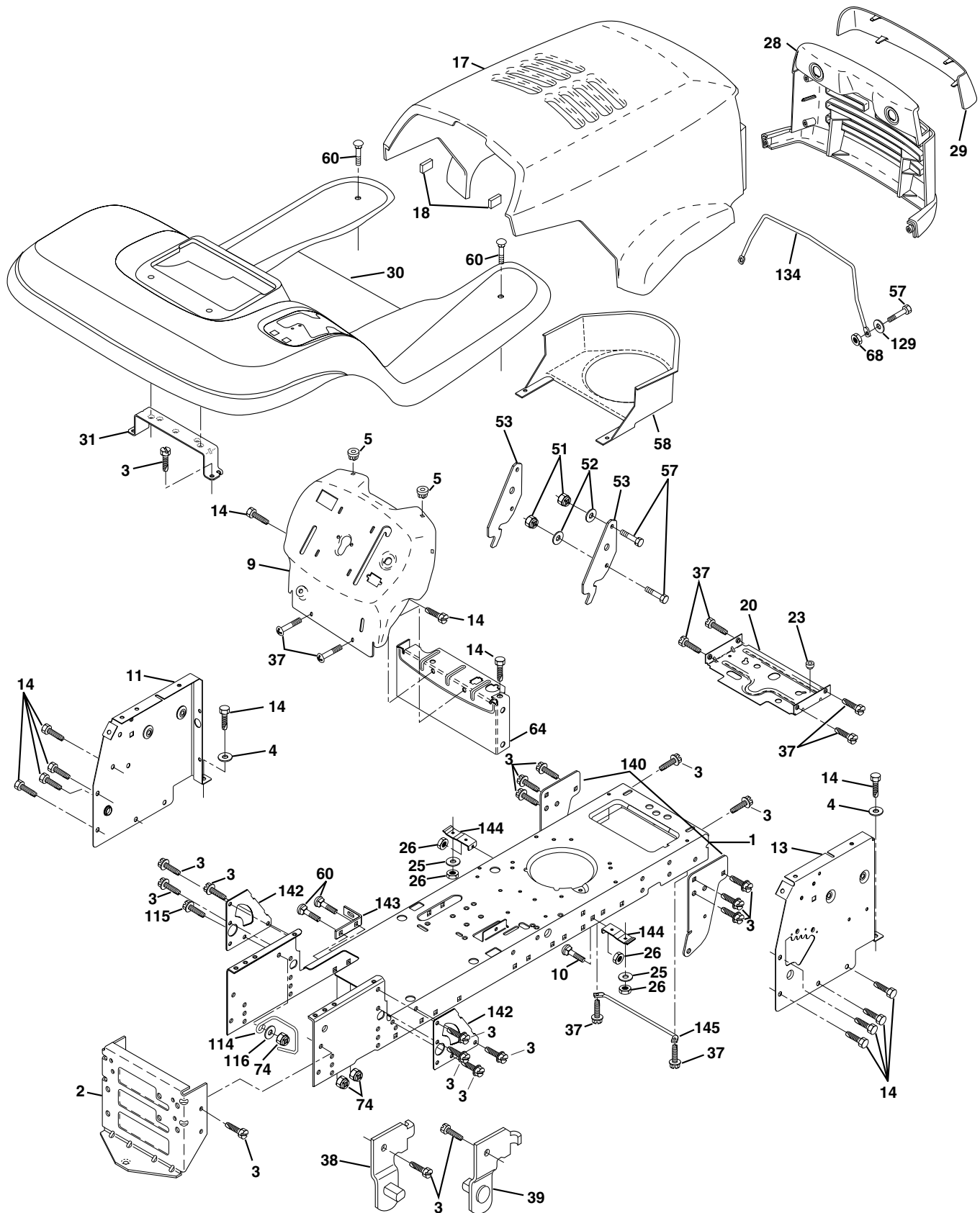
ELECTRICAL

KEY NO.	PART NO.	DESCRIPTION
1	532144925	Battery 12 Volt 25 AMP
2	874760412	Bolt Hex Hd 1/4-20unc X 3/4
8	532156417	Case Battery w/2 Holes
16	532153664	Switch Interlock Push-In
19	810090400	Washer Lock 1/4
20	873350400	Nut Jam Hex 1/4-20 Unc
21	532136850	Harness Asm Light W/4152j
22	532004152	Bulb Light #1156
24	532124780	Cable Battery 6 Ga 11" red
25	532146147	Cable Battery 6 Ga 44" red w/16 wire
26	532108824	Fuse 30 AMP Auto Green
27	73510400	Nut Keps Hex 1/4-20 Unc
28	532124773	Cable Ground 6 Ga 12" black
29	532121305	Switch Plunger Nc Gray
30	532140301	Switch Ign 4 pos w/lights
31	532124211	Nut Ignition
32	532141226	Cover Sw Ignition
33	532122147	Key Ign Modledeed Generic
40	532156442	Harness ign LT P/L Mech Hm
41	871110408	Bolt Blk Fin Hex 1/4 - 20 x 1/2
42	532131563	Cover Terminal Red
43	532145673	Solenoid
44	873640400	Nut Keps Blk Hex 1/4-20 Unc
45	532121433	Ammeter Rectangular 6 Amp
52	532141940	Protection Wire Loop
70	532140422	Harness, Engine

NOTE: All component dimensions given in U.S. inches.
1 inch = 25.4 mm.

REPAIR PARTS

TRACTOR - - MODEL NO.YT150 (HEYT150H) PRODUCT NO. 954 17 00-04
CHASSIS AND ENCLOSURES



REPAIR PARTS

TRACTOR - - MODEL NO. YT150 (HEYT150H) PRODUCT NO. 954 17 00-04 CHASSIS AND ENCLOSURES

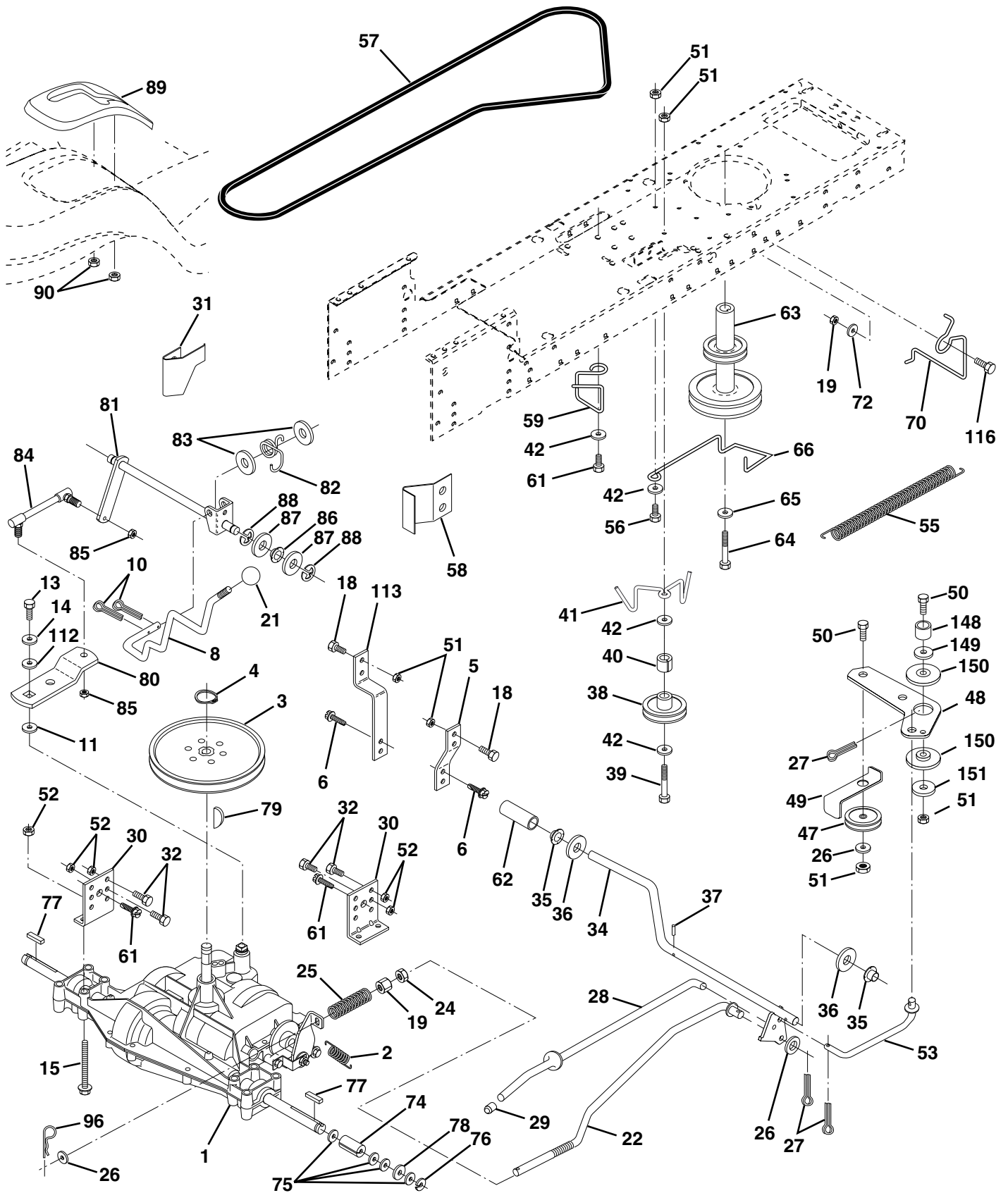
KEY NO.	PART NO.	DESCRIPTION
1	532160392	Chassis
2	532140356	Drawbar, Stretch
3	817490612	Screw Thdrol 3/8-16x3/4 Ty-tt
4	819131216	Washer 13/32 x 3/4 x 16 Ga.
5	532155272	Bumper Hood/Dash
9	532163677	Dash P/L
10	872140608	Bolt Carriage 3/8-16 x 1
11	532155927	Panel Dash Lh
13	532155936	Panel Dash Rh
14	817490608	Screw Thdrol 3/8-16x1/2 Ty-tt
17	532156051	Hood LT/PL Husqvarna
18	532126938	Bumper Hood
20	532156437	Plate Mtg Battery Fuel Tank Fr
23	532124028	Bushing
25	819131312	Washer 13/32 X 13/16 X 12 Ga
26	873800600	Nut Lock Hex W/Ins 3/8-16 Unc
28	532149776	Grille LT/PL Husqvarna
29	532149777	Lens LT/PL Husqvarna
30	532156489	Fender Footrest STLT Pnt
31	532139976	Bracket Support Fender
37	817490508	Screw Thdrol 6/16-18 x 1/2 TYT
38	532139886	Bracket, Asm. Pivot, L.H., Mower Rear
39	532139887	Bracket, Asm. Pivot, R.H., Mower Rear
51	873800400	Nut Lock Hex W/Ins 1/4-20
52	819091416	Washer 9/32 x 7/8 x 16 Ga.
53	532150067	Bracket Pnt. Pick off LT/PL Husqvarna
57	874780412	Bolt Hex 1/4-20 x 3/4
58	532150127	Air Duct Engine P/L
60	872140606	Bolt Rdhd Sqnk 3/8-16unc x 3/4
64	532154798	Dash Lower STLT
68	873510400	Nut Keps Hex 1/4-20 UNC
74	873680600	Nut Crownlock 3/8-16 UNC
114	532158112	Keeper Belt Rear LH STL P930
115	817490620	Screw Thdrol 3/8-16 x 1-1/4
116	81913614	Washer 13/32 x 1 x 14 Ga.
122	81913614	Bracket Shift STLT
129	819091016	Washer 9/32 x 5/8 x 16 Ga.
134	532160219	Rod Support Hood LT/PL Husq.
140	532158418	Bracket Suspension Front
142	532156095	Plate Reinforcement STLT
143	532154966	Bracket Swaybar Chassis
144	532154207	Bracket Pnt Footrest STLT
145	532156524	Rod Pivot Chassis/Hood
- -	532005479	Plug Button

NOTE: All component dimensions given in U.S. inches.
1 inch = 25.4 mm

REPAIR PARTS

TRACTOR -- MODEL NO. YT150 (HEYT150H) PRODUCT NO. 954 17 00-04

DRIVE



REPAIR PARTS

TRACTOR - - MODEL NO. YT150 (HEYT150H) PRODUCT NO. 954 17 00-04

DRIVE

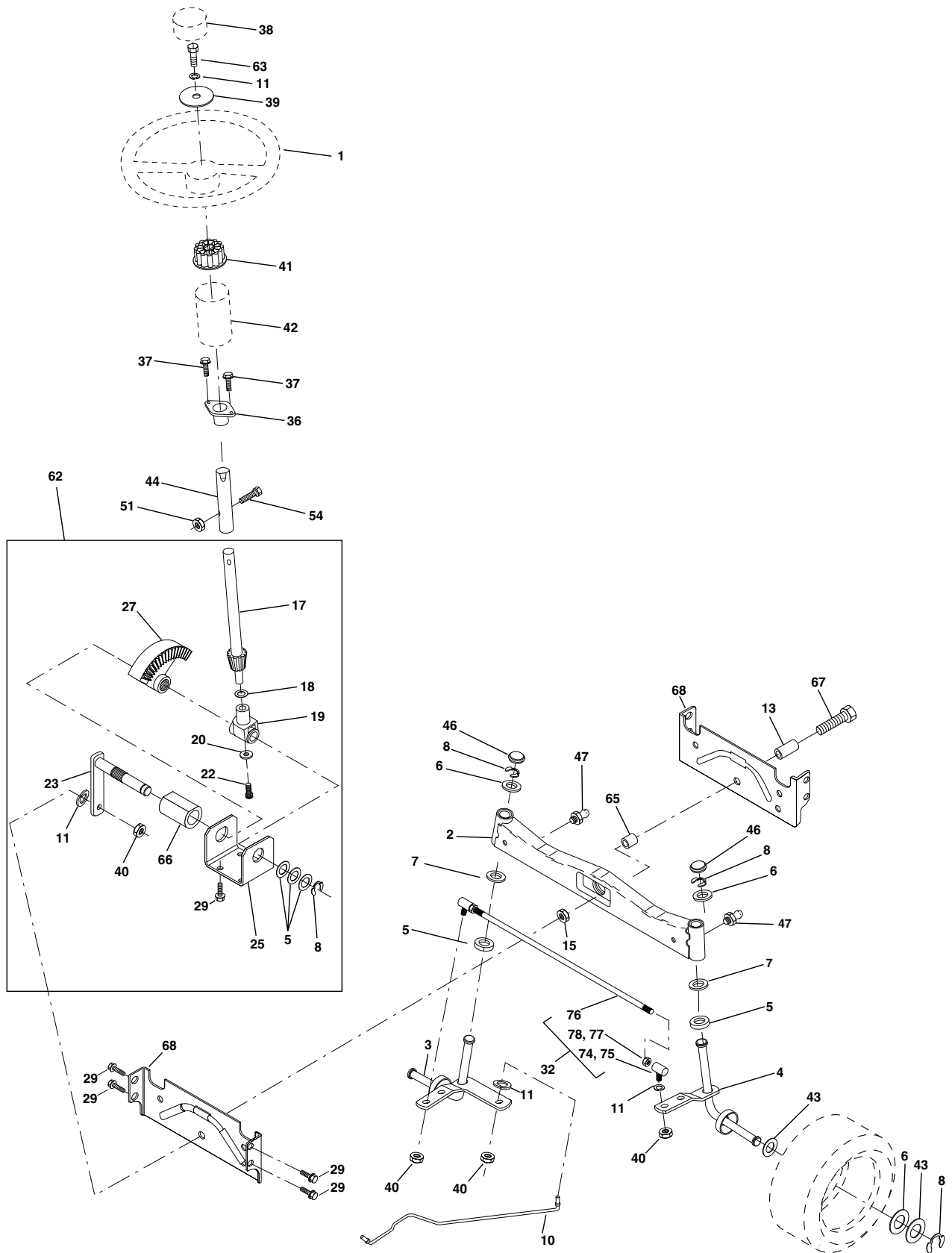
KEY NO.	PART NO.	DESCRIPTION	KEY NO.	PART NO.	DESCRIPTION
1	-----	Transaxle (See Breakdown) 6sp Peerless 206-508B	53	532105710	Link Clutch 7 66
2	532146682	Spring Return Brake T/a Zinc	55	532105709	Spring Return Clutch 6 75
3	532123666	Pulley Transaxle 18"tires	56	874760620	Bolt Fin Hx 3/8-16 X 1/4
4	812000028	Ring Retainer # 5100-62	57	532130801	V-Belt Ground Drive 95 25 42"
5	532121520	Strap Torque 30 Degrees	58	532127274	Keeper Belt RH LT Pnt/zinc 16g
6	817490512	Screw Thdrol 5/16-18 X 3/4 TYT	59	532140312	Keeper Belt Span Ctr
8	532154792	Rod Shifter	61	817490612	Screw Thdrol 3/8-16x3/4 Ty-tt
10	876020416	Pin Cotter 1/8 X 1 Cad	62	532123533	Cover Pedal
11	532105701	Washer Plate Shf 388 Sq Hole	63	532140186	Engine Pulley LT/YT
13	874550412	Bolt 1/4-28 Unf Gr 8 W/Patch	64	871170764	Bolt Hex 7/16-20 x 4
14	810040400	Washer Lock Hvy Helical 1/4	65	810040700	Washer Lock Hvy Hlcl Spr 7/16
15	874490544	Bolt Fin Hex 5/16-18uncx 2 3/4	66	532154778	Keeper Belt Engine F-Proof
18	874780616	Bolt Fin Hex 3/8-16 UNC x `1 Gr. 5	70	532134683	Guide Belt Mower Drive RH
19	873800600	Nut Lock 3/8-16 Unc	72	819132012	Washer 13/32 X 1-1/4 X 12 Ga
21	532121274	Knob Duckhead1/2-13 Plstc Thd. Blk	74	532137057	Spacer Axle
22	532130804	Rod Brake Blk Zinc 26 840	75	532121749	Washer 25/32 X 1 1/4 X 16 Ga
24	873350600	Nut Hex Jam 3/8-16 Unc	76	812000001	E-ring #5133-75
25	532106888	Spring Rod Brake 2 00 Zinc	77	532123583	Key Square 2 0 X 1845/ 1865
26	819131316	Washer 13/32 X 13/16 X 16 Ga	78	532121748	Washer 25/32 X 1-5/8 X 16 Ga
27	876020412	Pin Cotter 1/8 X 3/4 Cad	79	532125096	Key Woodruff
28	532145204	Rod Brake Parking LT/YT	80	532145090	Arm Shift Transaxle
29	532071673	Cap Brake Parking Black	81	532161082	Shaft Asm Cross
30	532130807	Bracket Mtg Transaxle	82	532123782	Spring Torsion T/a
31	532127275	Keeper Belt LH LT 14 Ga	83	819171216	Washer 17/32 X 3/4 X 16 Ga
32	874760512	Bolt Hex Hd 5/16-18unc X 3/4	84	532145643	Rod Shift Adj Tie
34	532155071	Shaft Asm Pedal Foot	85	532150360	Nut Nylock 1/4 - 28
35	532120183	Bearing Nylon Blk 629 Id	86	532157480	Bushing
36	819211616	Washer 21/32 X 1 X 16 Ga	87	819212016	Washer 21/32 X 1-1/4 X 16 Ga
37	532124963	Pin Roll 3/16 X 1"	88	812000008	Ring Klip #5304-62
38	532123674	Pulley Idler Flat	89	532158391	Console Shift 6sp
39	874760644	Bolt Fin Hex 3/8-16unc X 2-3/4	90	532124346	Nut Self-thd Wsh-hd 1/4 Zinc
40	532124965	Spacer Split 395 X 59 Bzp	96	532124788	Retainer Spring 1" Zinc/Cad
41	532154777	Keeper Belt Idler	112	819091210	Washer 9/32 x 3/4 x 10 Ga.
42	819131312	Washer 13/32 X 13/16 X 12 Ga	113	532127285	Strap Torque Lt
47	532127783	Pulley Idler V Groove Plastic	116	872110610	Bolt Rd Sq Neck 3/8-16 x 1-1/4
48	532154407	Bellcrank Clutch Grnd Drv Stl	148	159103	Spacer
49	532123205	Retainer Belt Style Spring	149	122052X	Spacer Retainer PM Mower
50	874760624	Bolt Hex Hd 3/8-16unc X 1-1/2	150	150935	Bushing Nylon Collered
51	873680600	Nut Crownlock 3/8-16 Unc	151	19133210	Washer 13/32 x 2 x 10 Ga.
52	873680500	Nut Crownlock 5/16-18 Unc			

NOTE: All component dimensions given in U.S. inches
1 inch = 25.4 mm

REPAIR PARTS

TRACTOR - - MODEL NO.YT150 (HEYT150H) PRODUCT NO. 954 17 00-04

STEERING ASSEMBLY



REPAIR PARTS

TRACTOR - - MODEL NO. YT150 (HEYT150H) PRODUCT NO. 954 17 00-04

STEERING ASSEMBLY

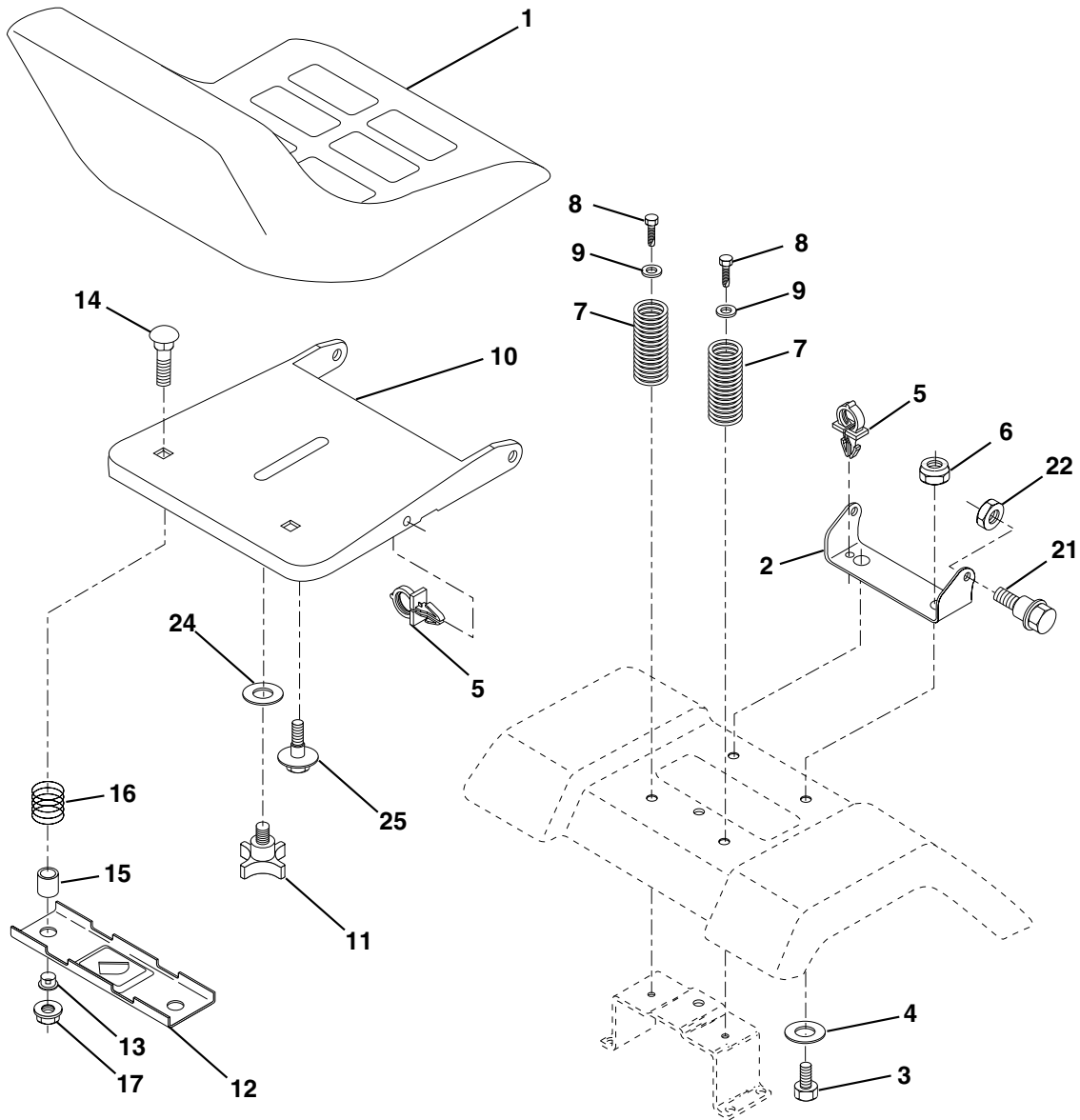
KEY NO.	PART NO.	DESCRIPTION
1	532124415	Wheel Steering
2	532137094	Axle Front Casting Machined
3	532157479	Spindle Asm Cast LH
4	532157478	Spindle Asm Cast RH
5	532124931	Bearing Race Thrust Harden
6	532121748	Washer 25/32 X 1-5/8 X 16 Ga
7	819272016	Washer 27/32 X 1-1/4 X 16 Ga
8	812000029	Ring Klip #t5304-75
9	532124937	Bearing Col Strg Blk
10	532154432	Link Drag Extended Cast
11	810040600	Washer Lock Hvy Hlcl Spr 3/8
13	532154779	Bearing Axle STLT
15	873901000	Nut Lock Flange 5/8-11 Unc
17	532156546	Shaft Asm Strg Private Label
18	532057079	Washer Thrust 515x 750x 033
19	532124035	Support Shaft
20	532126684	Washer Shim 1/4 X 5/8 X 062
22	871200410	Screw Hex Socket 1/4-20 x 5/8
23	532127501	Shaft Asm Pittman
25	532154406	Bracket Steering
27	532136874	Gear Sector 22 Teeth
29	817490612	Screw Thdrol 3/8-16x3/4 Ty-tt
32	532137347	Rod Tie
36	532155099	Bushing Strg
37	532152927	Screw TT #32.5 x 5 x 3/8 Flange
38	532124416	Cap Wheel Steer
39	819133808	Washer 13/32 x 2-3/8 x 8 Ga.
40	532124701	Nut Lock Center 3/8-24 Unf
41	532100711	Adaptor Wheel Strg
42	532155092	Boot Dash Steering
43	532121749	Washer 25/32 X 1 1/4 X 16 Ga
44	532153720	Extension Steering Non-adjust
46	532121232	Cap Spindle Fr Top Blk
47	532124836	Fitting Grease
51	873800500	Nut Lock Hex W/Ins 5/16-18 UNC
54	874780520	Bolt Fin Hex 5/16-18 UNC x 1-1/4
62	532156594	Steering Assembly
63	874780616	Bolt Fin Hex 3/8-16 UNC x 1 Gr. 5
65	532154780	Spacer
66	532154404	Bearing Arm Pittman
67	874781044	Bolt Fin Hex 5/8-11 UNC x 2-3/4
68	532154429	Brace, Axle
74	532109850	Joint Asm Ball Rh
75	532109851	Joint Asm Ball Lh
76	532137156	Rod Tie Ball J Adj
77	873700600	Nut Hex Jam 3/8-24 Unf Lh
78	873360600	Nut Hex Jam 3/8-24 Unf

NOTE: All component dimensions given in U.S. inches.
1 inch = 25.4 mm.

REPAIR PARTS

TRACTOR - - MODEL NO. YT150 (HEYT150H) PRODUCT NO. 954 17 00-04

SEAT ASSEMBLY



KEY PART NO. NO.

DESCRIPTION

1	532140839	Seat V450 Blk/blk Std
2	532140551	Bracket Pivot Seat 8 720
3	874760616	Bolt Fin Hex 3/8-16unc X 1
4	819131610	Washer 13/32 X 1 X 10 Ga
5	532145006	Clip Push-In
6	873800600	Nut Lock 3/8-16 Unc
7	532124181	Spring Seat Cprsn 2 250 Blk Zi
8	817490616	Screw Thdrol 3/8-16 X 1 Ty-tt
9	819131614	Washer 13/32 X 1 X 14 Ga.
10	532155925	Pan Seat Emboss OCK Conn
11	532120068	Knob Seat 1/2-13 UNC Blk
12	532121246	Bracket Mounting Switch

KEY PART NO. NO.

DESCRIPTION

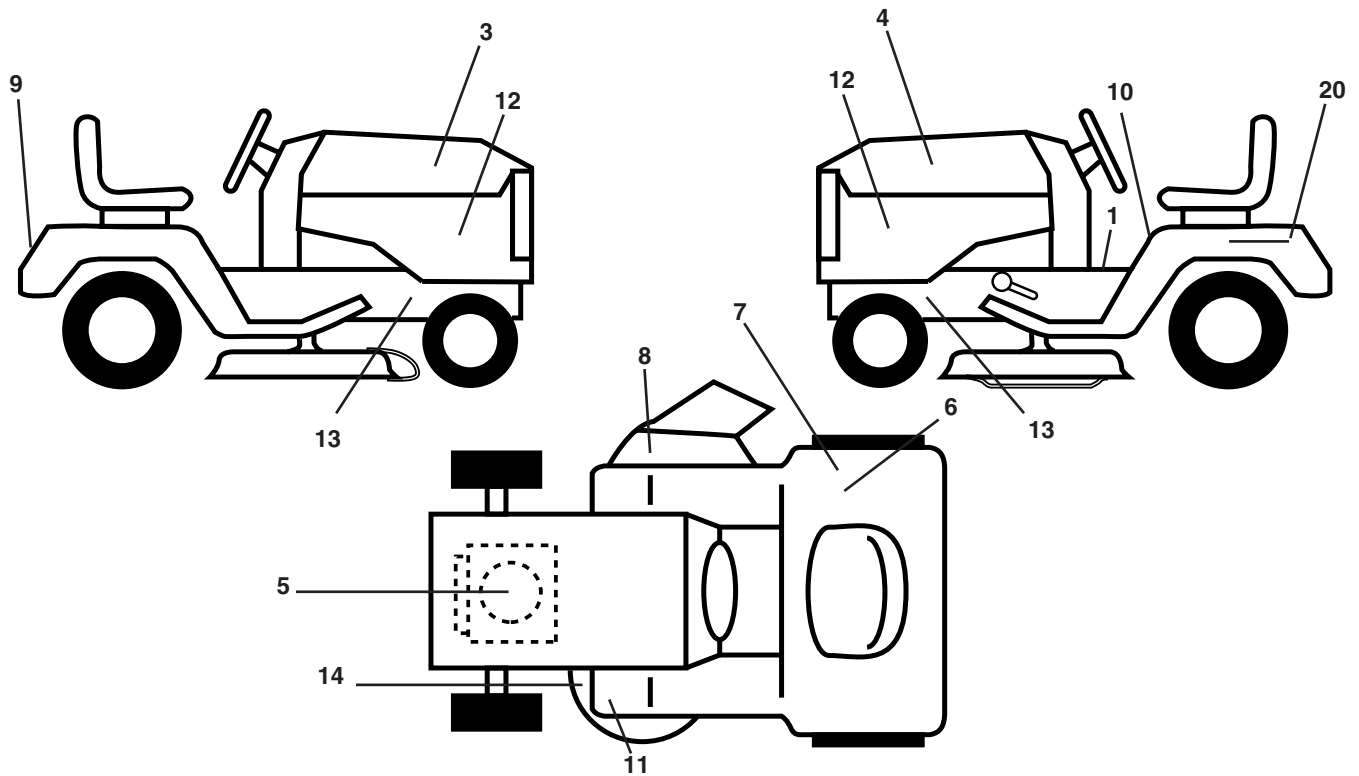
13	532121248	Bushing Snap Blk Nyl 50 Id
14	872050412	Bolt Rdhd Sht Nk 1/4-20x1-1/2
15	532134300	Spacer Split 28x 96 Yel Zinc
16	532121250	Spring Cprsn 1 27 Blk Pnt
17	532123976	Nut Lock 1/4 Lge Flg Gr 5 Zinc
21	532153236	Bolt Shoulder 5/16-18 Unc-2A
22	873800500	Nut Hex Lock W/Ins 5/16-18
24	819171912	Washer 17/32 X 1-3/16 X 12 Ga.
25	532127018	Bolt Shoulder 5/16-18 X 62

NOTE: All component dimensions given in U.S. inches.
1 inch = 25.4 mm

REPAIR PARTS

TRACTOR - - MODEL NO. YT150 (HEYT150H) PRODUCT NO. 954 17 00-04

DECALS



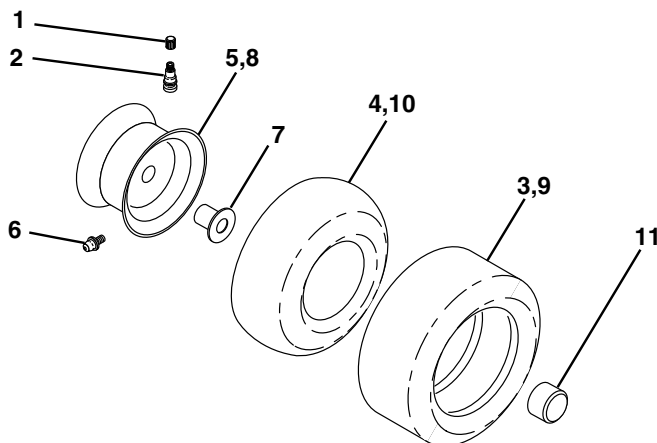
KEY NO.	PART NO.	DESCRIPTION
1	532140837	Decal Saddle Parking
3	532151548	Decal Hood RH
4	532151549	Decal Hood LH
5	532273216	Decal HP Engine
6	532125690	Decal 100 DBA
7	532145437	Decal Europe Stand CE
8	532145494	Decal Mower Cut/Finger
9	532150617	Decal Fender Husq
10	532145498	Decal Read Owner's Man Syms
11	532159737	Decal Brake/Clutch Symbol LT
12	532159713	Decal PNL Side
13	532159736	Decal Chassis Hot Muffler
14	532160396	Decal V-Belt Schematic

KEY NO.	PART NO.	DESCRIPTION
20	532145005	Decal Bat Dan/Psn
--	532154515	Pad Footrest LH STLT
--	532154516	Pad Footrest RH STLT
--	532138311	Decal Handle Lft Height Adjust
--	532162598	Decal Drawbar Load Limit
--	532156826	Manual Operator's (Euro)
--	532156827	Manual Operator's (Scand)

Available accessories not included with tractor:

--	LBD48	48" Snow Blade
--	LSB42	42" Snow Blower
--	LC05	Wheel Wts. (Pair)
--	MK420	Mulch Kit w/Blades
--	GWN42	Gauge Wheel
--	CE42	Grass Catcher

WHEELS & TIRES



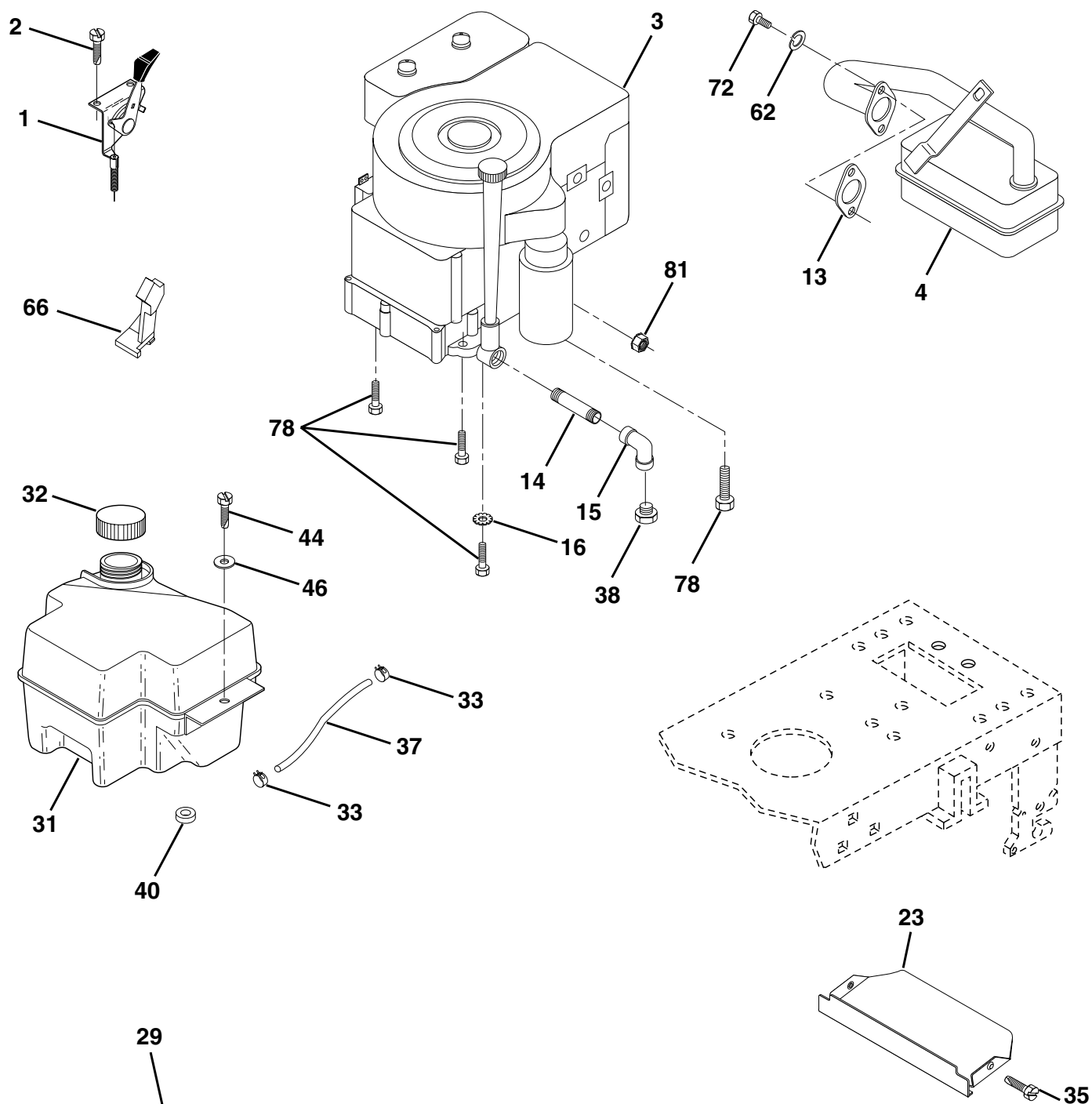
KEY NO.	PART NO.	DESCRIPTION
1	532059192	Cap Valve Tire
2	532065139	Stem Valve
3	532106222	Tire F Ts 15 X 60 - 6 Service
4	532059904	Tube Front (Service Item Only)
5	532138336	Rim Asm 6"front
6	532124957	Fitting Grease (Front Wheel Only)
7	532124959	Bearing Flange (Front Wheel Only)
8	532138337	Rim Asm 8"rear
9	532122082	Tire R Ts 20 x 10-8 C Service
10	532124926	Tube Rear (Service Item Only)
11	532104757	Cap Axle Blk 1 50 X 1 00
--	532144334	Sealant, Tire (10 oz. Tube)

NOTE: All component dimensions given in U.S. inches
1 inch = 25.4 mm

REPAIR PARTS

TRACTOR - - MODEL NO. YT150 (HEYT150H) PRODUCT NO. 954 17 00-04

ENGINE



OPTIONAL EQUIPMENT
Spark Arrester

REPAIR PARTS

TRACTOR - - MODEL NO. YT150 (HEYT150H) PRODUCT NO. 954 17 00-04

ENGINE

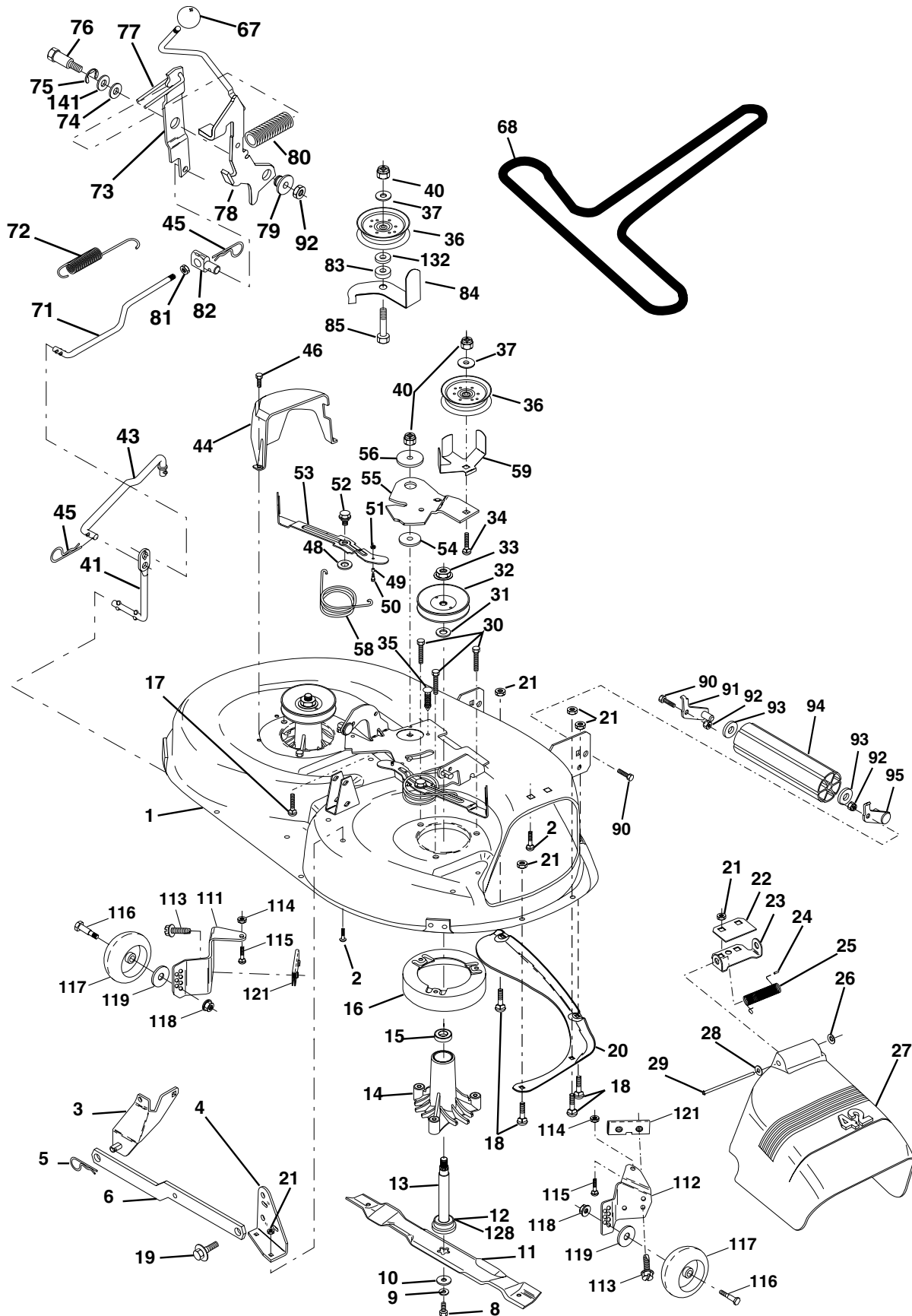
KEY NO.	PART NO.	DESCRIPTION
1	532141359	Control Th/ch 20.22 LH Flag
2	817720410	Screw Hex Thd Cut 1/4-20x5/8 T
3	-----	Engine (See Breakdown) Briggs Model No. 28N707 1171-E1
4	532137352	Muffler LT B&S 15 HP IC OHV
13	532272293	Gasket Eng 1 313 Id Tin Plated
14	813280324	Nipple Pipe 3/8 Npt X 3"
15	813200300	Elbow Std 90 Degree 3/8-18 Npt
16	811050600	Washer Lock Ext Tooth 3/8
23	532159880	Shield Browning
29	532137180	Kit Spark Arrestor (Flat Scrn)
31	532161911	Tank Fuel Front 2 00
32	532140527	Cap Asm Fuel W/sym Vented
33	532123487	Clamp Hose Black
35	817490512	Screw Thdrol 5/16-18 x 3/4
37	532137040	Line Fuel 20"
38	-----	Plug Oil Drain (Order From Engine Manufacturer)
40	532124028	Bushing Snap Nyl Blk Fuel Line
44	817490412	Screw Hexwsh Thdrol 1/4-20x3/4
46	819091416	Washer 9/32 X 7/8 X 16 Ga
62	810040500	Washer Lock Hvy Hlcl Spr 5/16
66	532127951	Stop Throttle
72	871070512	Screw Hexhd Cap 5/16-18x 3/4
78	817490620	Screw Thdrol 3/8-16x1-1/4 TYTT
81	532128861	Nut Flange 1/4-20 Starter Nut

NOTE: All component dimensions given in U.S. inches
1 inch = 25.4 mm

REPAIR PARTS

TRACTOR - - MODEL NO. YT150 (HEYT150H) PRODUCT NO. 954 17 00-04

MOWER DECK



REPAIR PARTS

TRACTOR - - MODEL NO. YT150 (HEYT150H) PRODUCT NO. 954 17 00-04

MOWER DECK

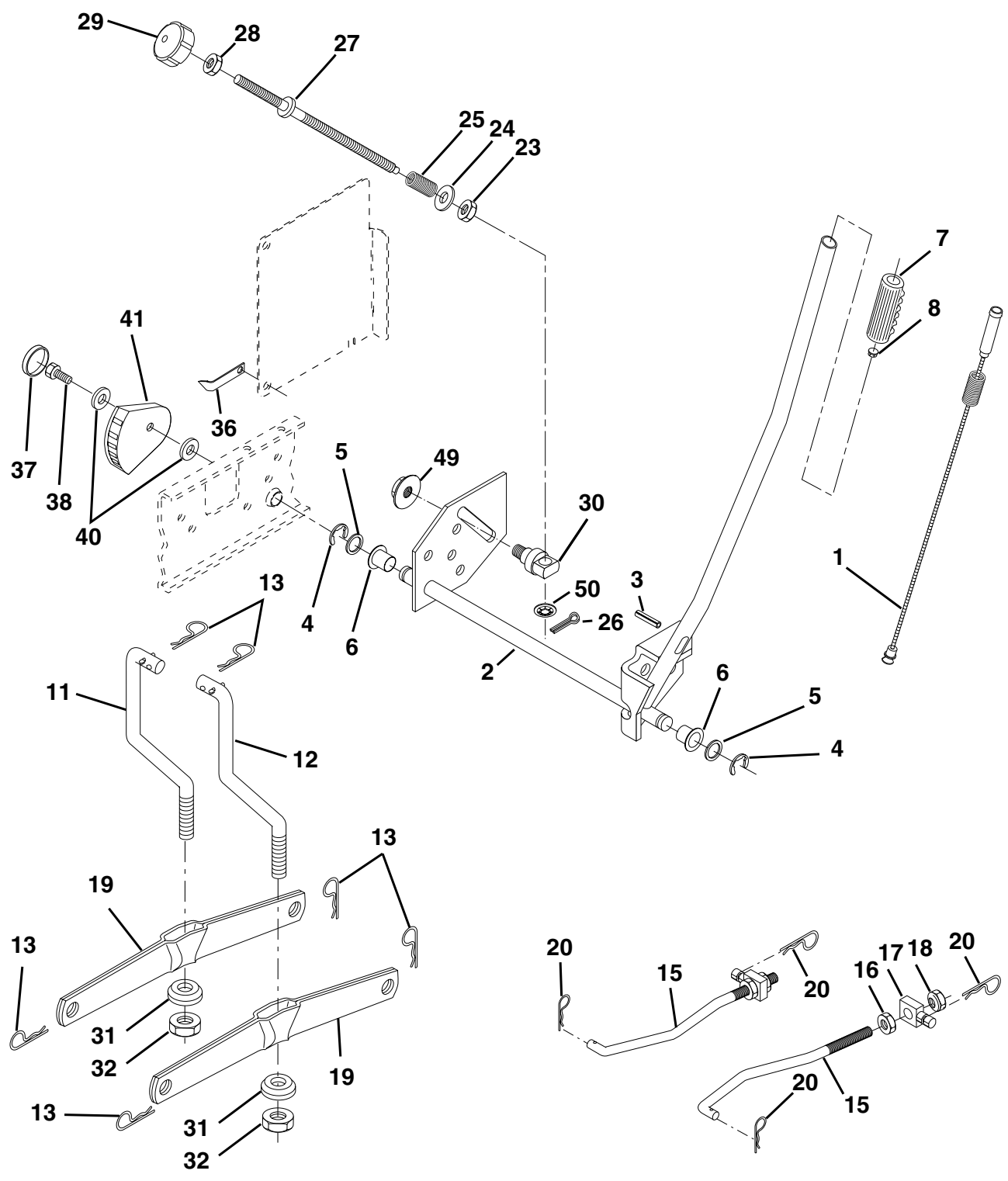
KEY NO.	PART NO.	DESCRIPTION	KEY NO.	PART NO.	DESCRIPTION
1	532144393	Deck Asm MWR 42"weldment	58	532140086	Spring Torsion Brakes
2	872140506	Bolt Rdhd Sqnk 5/16-18unc X3/4	59	532141043	Guard TUV Idler
3	532138017	Bracket Asm Fr Sway Bar 38/42	67	532162132	Knob Rd
4	532138440	Bracket Asm Deck 42"sway Bar	68	532144200	V-Belt Mower 42"
5	532124670	Retainer Spring	71	532142427	Rod Clutch Primary 38/42
6	532130832	Arm Suspension Rear	72	532131870	Spring Return
8	532850857	Bolt 3/8 - 24 X 1.25 Gr 8	73	532127847	Arm Clutch Secondary
9	810030600	Washer Lock Hvy 3/8	74	532121748	Washer 25/32 X 1-5/8 X 16 Ga
10	532140296	Washer Hard Blade Mower Vented	75	812000029	Ring Klip #t5304-75
11	532138498	Blade Mower	76	532128903	Bolt Shoulder 3/8-16 Unc 1 44
12	532129895	Bearing Ball #6024 (Mandrel)	77	532127845	Keeper Spring 4 000
13	532137645	Shaft Asm W/lower Bearing	78	532160570	Arm Asm Clutch Primary
14	532128774	Housing Mandrel Vented	79	532127498	Bushing 747 Od X 794 Lg Brass
15	532110485	Bearing Ball Mandrel	80	532153701	Spring Clutch Mower
16	532140329	Stripper Mower Vented	81	873350600	Nut Hex Jam 3/8-16
17	872110610	Bolt Rdhd Sqnk 3/8-16 X 1-1/4	82	532142028	Trunnion Adj 94
18	872140505	Bolt Rdhd Sqnk 5/16-18 X 5/8	83	532120958	Washer Sintered
19	532132827	Bolt Shoulder	84	532156084	Keeper Belt Idler Fixed
20	532159770	Baffle Vortex 42	85	872140618	Bolt Carriage 3/8-16 x 2-1/4
21	873680500	Nut Crownlock 5/16-18 UNC	90	874760616	Bolt Fin Hex 3/8-16 UNC x 1
22	532134753	Stiffener Bracket 42"deck	91	532132274	Bracket Asm Noseroller LH
23	532131267	Bracket Deflector Mower 42"	92	873800600	Nut Lock Hex W/Ins 3/8-16 Unc
24	532105304	Cap Sleeve 80x 112 Blk Mower	93	819171416	Washer 17/32 x 7/8 x 16 Ga.
25	532123713	Spring Torsion Deflector 2 52	94	532132264	Roller Nose 38 & 42
26	532110452	Nut Push Phos & Oil	95	532132273	Bracket Asm Noseroller RH
27	532130968	Shield Deflector Mower 42" Blk	111	532155197	Bracket Wheel Gauge LH 42" Deck
28	819111016	Washer 11/32 X 5/8 X 16 Ga	112	532155198	Bracket Gauge Wheel RH 42" Deck
29	532131491	Rod Hinge 42"6 75 Wlg	113	817490512	Screw Thdrol 5/16-18 x 3/4
30	532157722	Screw Thdrol Washer Head	114	873510500	Nut Keps 5/16-18 UNC
31	532129963	Washer Spacer Mower Vented	115	872110504	Bolt Carriage 5/16-UNC x 1/2
32	532153535	Pulley Mandrel 42/44/50	116	532137644	Bolt Shoulder
33	532137266	Nut 9/16 Toplock Fling Oil Dip	117	532133957	Wheel Gauge Blk
34	872110614	Bolt Rdhd 3/8-16uncx1-3/4 Gr5	118	873930600	Nut Centerlock 3/8-16 UNC
35	532133835	Fastner Christmas Tree	119	819121414	Washer 3/8 x 7/8 x 14 Ga.
36	532131494	Pulley Idler Flat 3 060	121	532143723	Bracket Extruded Gauge Wheel
37	819131316	Washer 13/32 X 13/16 X 16	128	532153390	Washer Felt
40	873680600	Nut Crownlock 3/8-16 UNC	129	819131312	Washer 13/32 x 13/16 x 12 Ga.
41	532133551	Rod Pivot W/nibs	130	874780616	Bolt Fin Hex 3/8-16 UNC x 1 Gr. 5
43	532140083	Rod Clutch Secondary W/nibs	131	872140608	Bolt Rdhd Sqnk 3/8-16 x 1
44	532140088	Guard Mandrel LH Black	132	819132203	Washer 13/32 x 1-3/8 x 3 Ga.
45	532124788	Spring Retainer 1" Zinc/cad	141	532124956	Washer Thrust .75 x .230
46	532137729	Screw Hex Thd Cut 1/4-20x5/8 T	--	532130794	Mandrel Asm Service (Includes Key Nos. 8-10, 12-15, 31 and 33)
48	532133944	Washer Hardened Smaller	--	532144783	Deck Serv 42"mch S Bar Mult-Lang (Standard Deck - Order noseroller, mulch cover and gauge wheel components separately Key Nos. 90-95, 101-106 and 111-120)
49	532155066	Roller Asm Cam Follower 42"dec			
50	532131340	Bolt Shldr 10-24 Zinc Gr 5 42"			
51	532069180	Nut Lock #10-24 Unc			
52	532139888	Bolt Shoulder 5/16-18 Unc Blkz			
53	532157388	Arm Asm Pad Brake			
54	532133943	Washer Hardened			
55	532155046	Arm Idler 42"mower LT/YT			
56	532122052	Spacer Retainer Pm Mower			

NOTE: All component dimensions given in U.S. inches
1 inch = 25.4 mm

REPAIR PARTS

TRACTOR -- MODEL NO. YT150 (HEYT150H) PRODUCT NO. 954 17 00-04

MOWER LIFT



REPAIR PARTS

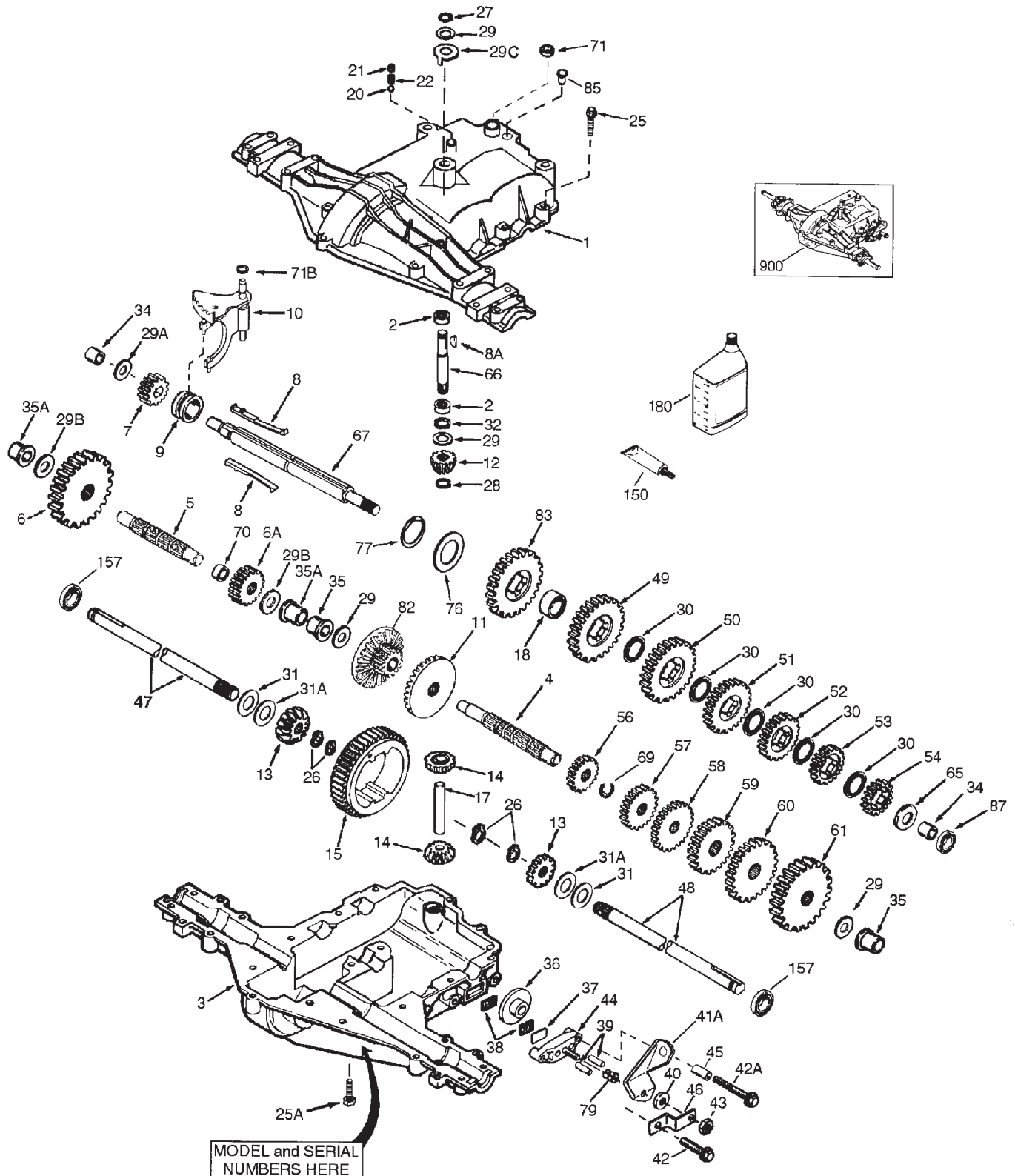
TRACTOR - - MODEL NO. YT150 (HEYT150H) PRODUCT NO. 954 17 00-04
MOWER LIFT

KEY NO.	PART NO.	DESCRIPTION
1	532159460	Wire Asm Inner W/plunger 17 32
2	532159471	Shaft Asm Lift LH Inf Hgt P/L
3	532105767	Pin Groove 1 500 Zinc
4	812000002	E Ring #5133-62
5	819211621	Washer 21/32 X 1 X 21 Ga
6	532120183	Bearing Nylon Blk 629 Id
7	532125631	Grip Handle
8	532124526	Button Plunger Black
11	532139865	Link Lift LH
12	532139866	Link Lift RH
13	532124670	Retainer Spring
15	532127218	Link Front
16	873350800	Nut Jam Hex 1/2-13 Unc
17	532130171	Trunnion Blk Zinc
18	873800800	Nut Lock W/wsh 1/2-13unc
19	532139868	Arm Suspension Rear
20	532124660	Retainer Spring
23	532110807	Nut Special
24	819131016	Washer 13/32 X 5/8 X 16 Ga
25	532124874	Spring 2-1/8"
26	876020308	Pin Cotter 3/32 X 1/2
27	532126971	Rod Adj Lift Zinc 7 49 Wrk Lg
28	873350600	Nut Hex Jam 3/8-16 Unc
29	532138057	Knob Inf 3/8-16 Unc Blk W/sym
30	532150233	Trunnion Inf Height
31	532140302	Bearing pvt. Lift Spherical
32	873540600	Nut Crownlock 3/8-24
36	532155097	Pointer pnt Height Ind.
37	532123935	Plug hole Blk 1.485/1.515 Dia
38	817490512	Screw Thdrol 5/16-18 x 3/4 Tyt
40	819112410	Washer 11/32 x 1-1/2 10 Ga
41	532155098	Indicator Height
49	532145212	Nut Hex Flange Lock
50	532110452	Push Nut

NOTE: All component dimensions given in U.S. inches
1 inch = 25.4 mm

REPAIR PARTS

TRACTOR - - MODEL NO. YT150 (HEYT150H) PRODUCT NO. 954 17 00-04
PEERLESS TRANSAXLE - MODEL NUMBER 206-508B



REPAIR PARTS

TRACTOR - - MODEL NO. YT150 (HEYT150H) PRODUCT NO. 954 17 00-04

PEERLESS TRANSAXLE - MODEL NUMBER 206-508B

REF PART NO. NO.	DESCRIPTION	REF PART NO. NO.	DESCRIPTION		
1	772147	Transaxle Cover	41A	790079	Brake Lever
2	780086A	Needle Bearing 5/8"	42	792073A	Screw 1/4-20 x 1-1/4"
3	770128	Transaxle Case	42A	792085A	Screw 1/4-20 x 2-1/4"
4	776395	Countershaft	43	792075	Locknut 5/16-24
5	776409	Output Shaft	44	790025	Brake Pad Holder
6	778364	Spur Gear (38 teeth)	45	786066	Spacer
6A	778369	Spur Gear (15 teeth)	46	786086	Brake Lever Bracket
7	778330	Spur Gear (11 teeth)	47	774690	Axle (11-15/16" long)
8	792180	Shift Key	48	774691	Axle (16-1/2" long)
8A	792047	Woodruff Key #9	49	778356	Spur Gear (29 teeth)
9	784352	Shift Collar	50	778338	Spur Gear (27 teeth)
10	784378	Shift Rod & Fork	51	778354	Spur Gear (23 teeth)
11	778334	Bevel Gear (30 teeth)	52	778352	Spur Gear (19 teeth)
12	778309	Input Bevel Pinion (13 teeth)	53	778350	Spur Gear (16 teeth)
13	778368	Bevel Gear (13 teeth) (Incl. 14)	54	778346	Spur Gear (15 teeth)
14	778367	Bevel Pinion (13 teeth) (Incl. 13)	56	778355	Spur Gear (11 teeth)
15	778370	Ring Gear (43 teeth)	57	778337	Spur Gear (13 teeth)
17	786188	Drive Pin	58	778353	Spur Gear (17 teeth)
18	786102	Spacer	59	778351	Spur Gear (21 teeth)
20	792077	Ball 5/16" dia	60	778349	Spur Gear (24 teeth)
21	792078	Set Screw 3/8-16 x 3/8"	61	778345	Spur Gear (25 teeth)
22	792079	Spring	65	780189	Washer
25	792073A	Screw 1/4-20 x 1-1/4"	66	776422	Input Shaft
25A	792177	Screw 1/4-20 X 1-3/8"	67	776396	Shifter & Brake Shaft
26	792125	Retaining Ring (pkg of 2)	69	792170	Retaining Ring
27	792035	Retaining Ring	70	786187	Spacer .890
28	788040	Retaining Ring	71	788069	Square Cut Ring
29	780072	Washer	71B	788092	"O" Ring
29A	780160	Washer	76	780090	Washer
29B	780051	Thrust Washer (.762 ID)	77	788078A	Inverted Retaining Ring
29C	780199	Anti-Rotation Washer	79	792144	Spring
30	780108	Washer	82	778333	Bevel & Spur Gear (30 & 13 teeth)
31	780001	Washer (.056 wide) (USE AS NEEDED)	83	778338	Spur Gear (27 teeth)
31A	780195	Flat Washer (.062 wide)	85	792154	Oil Fill Plug
32	788083	Oil Seal 5/8"	87	788089	Oil Seal 9/16"
34	780194	Bushing	150	788093A	Liquid Gasket RTV Silicone
35	780193	Flanged Bushing	157	788088	Oil Seal 3/4"
35A	780197	Flanged Bushing 3/4"	180	730229A	Gear Oil 80W90
36	790075	Brake Disk	900	—	Replacement 206-508B Transaxle
37	790007	Brake Pad Plate			
38	799021	Brake Pad (pkg of 2)			
39	786026	Dowel Pin			
40	792076A	Flat Washer			

Parts must be ordered from Tecumseh Products Co.

NOTE: All component dimensions given in U.S. inches
1 inch = 25.4 mm