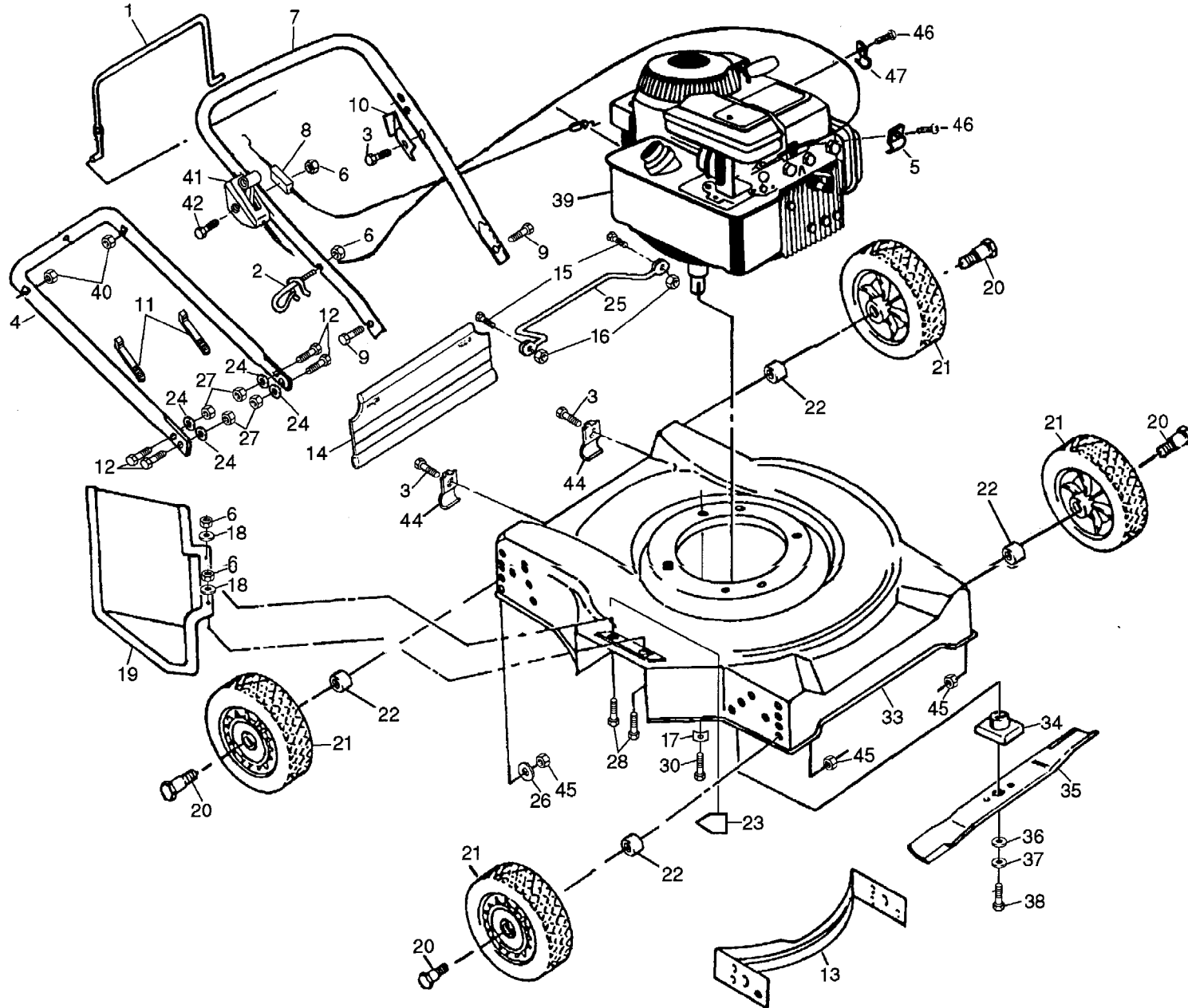


**ILLUSTRATED PARTS BREAKDOWN**

**HUSQVARNA - SWEDEN  
20" ROTARY LAWN MOWER  
MODEL NO. JET49D  
954 06 31-01**

# REPAIR PARTS

ROTARY LAWN MOWER -- MODEL NO. JET49D, PRODUCT NO. 954 06 31-01



# REPAIR PARTS

## ROTARY LAWN MOWER - - MODEL NO. JET49D PRODUCT NO. 954 06 31-01

KEY NO.	PART NO.	DESCRIPTION	KEY NO.	PART NO.	DESCRIPTION
1	532 08 69-02	Control Bar	25	532 80 15-42	Foot Guard
2	532 13 20-01	Rope Guide	26	532 06 15-37	Washer
3	532 75 00-97	Hex Washer Head Self-tapping Screw #10-24 x 1/2	27	532 13 20-10	Flange Locknut 3/8-16
4	532 12 54-63	Lower Handle	28	874 76 04-12	Hex Head Bolt 1/4-20 x 3/4
5	532 21 31-46	* Cable Clamp (Engine)	30	532 15 04-06	Hex Head Thread Rolling Screw 3/8-16 x 1
6	532 06 36-01	Locknut 1/4-20	33	532 14 68-63	Housing Kit
7	532 12 54-64	Upper Handle	34	532 85 09-77	Blade Adapter
8	532 85 18-09	Engine Zone Control Cable	35	532 14 51-06	Blade 20"
9	874 35 04-24	Hex Head Bolt 1/4-20 x 1-1/2	36	532 85 10-74	Washer (Hardened)
10	532 12 51-62	Up-Stop Bracket	37	532 85 02-63	Helical Lock Washer
11	532 06 64-26	Wire Tie	38	532 85 10-84	Hex Head Machine Screw 3/8-24 x 1-3/8 Gr.8
12	532 13 70-09	Hex Head Bolt 3/8-16 x 1	39	-----	* Engine, Briggs & Stratton Model No. 95902
13	532 14 15-19	Front Baffle	40	532 13 20-04	Hex Nut 1/4-20
14	532 14 05-41	Rear Skirt	41	532 13 19-22	Throttle Cable STD
15	532 08 58-25	Screw	42	532 14 49-29	Hex Washer Hd Screw 1/4-20 x 2.12
16	532 06 91-80	Nut	44	532 12 52-07	Skirt Bracket
17	532 12 50-78	Engine Washer	45	532 75 15-92	Locknut 5/8- 16
18	532 05 38-47	Flat Washer	46	532 08 38-16	Screw, #10 x 5/8
19	532 75 20-52	Discharge Guard	47	532 08 79-30	Cable Clip, Throttle
20	532 06 76-09	Shoulder Bolt	--	532 14 68-53	Operator's Manual(Scand.)
21	532 13 04-91	Wheel Assembly 7.00x1.50	--	532 14 68-54	Operator's Manual (Euro.)
22	532 13 66-24	Spacer Washer	--	532 15 25-67	Replacement Parts Manual
23	532 14 54-94	Danger Decal	--	532 80 01-97	Decal Noise Level
24	532 05 56-11	Washer	--	532 14 54-95	Decal Housing
			--	532 80 10-36	Decal Danish Importer

\* These parts must be purchased through an authorized Briggs & Stratton dealer.