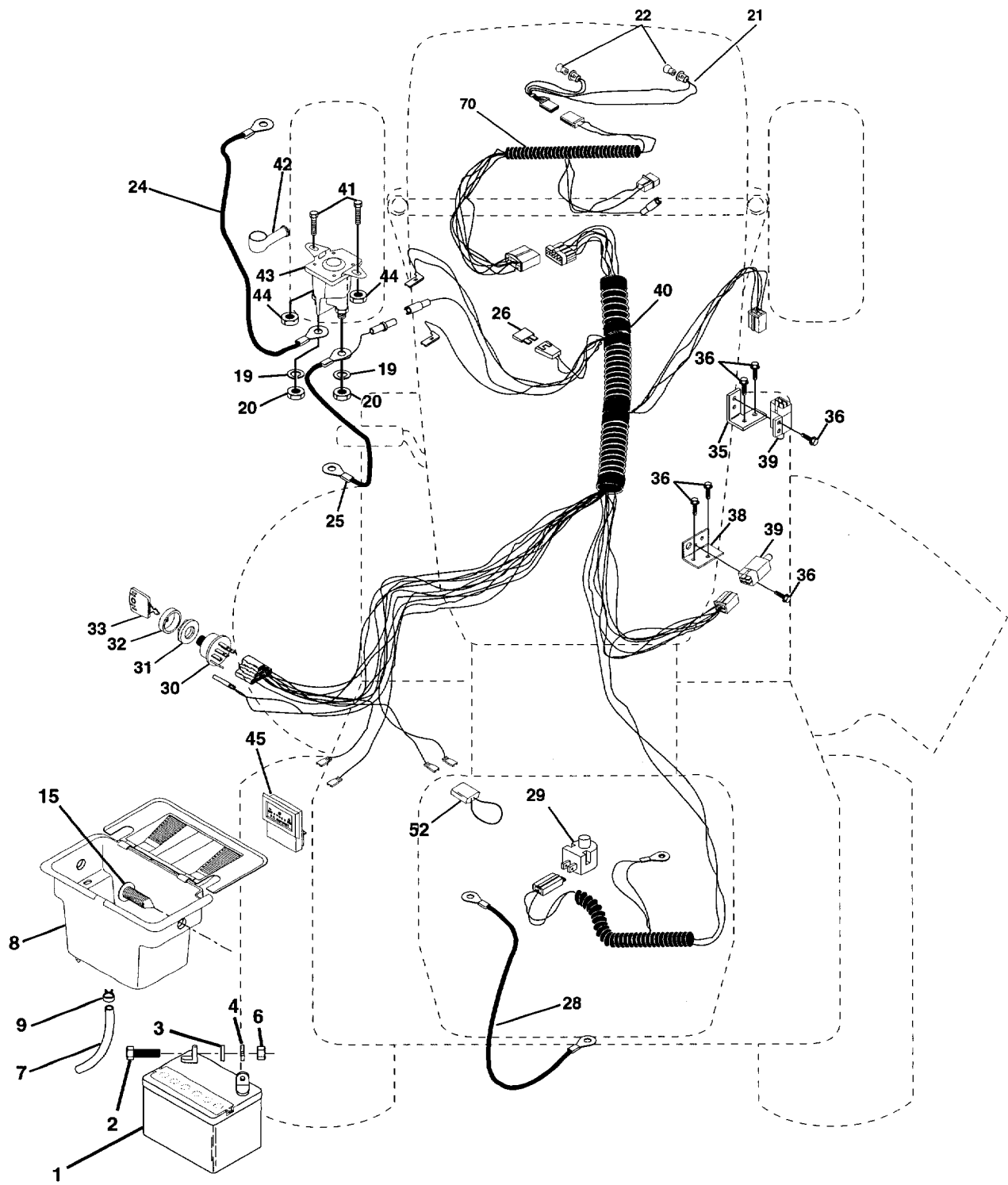


**ILLUSTRATED PARTS BREAKDOWN**

**HUSQVARNA  
13 HP 42" YARD TRACTOR  
MODEL NO. YT130 (HEYT130B)  
954 82 01-11**

# REPAIR PARTS

TRACTOR -- MODEL NO. YT130 (HEYT130B), PRODUCT NO. 954 82 01-11  
ELECTRICAL



# REPAIR PARTS

TRACTOR - - MODEL NO. YT130 (HEYT130B), PRODUCT NO. 954 82 01-11

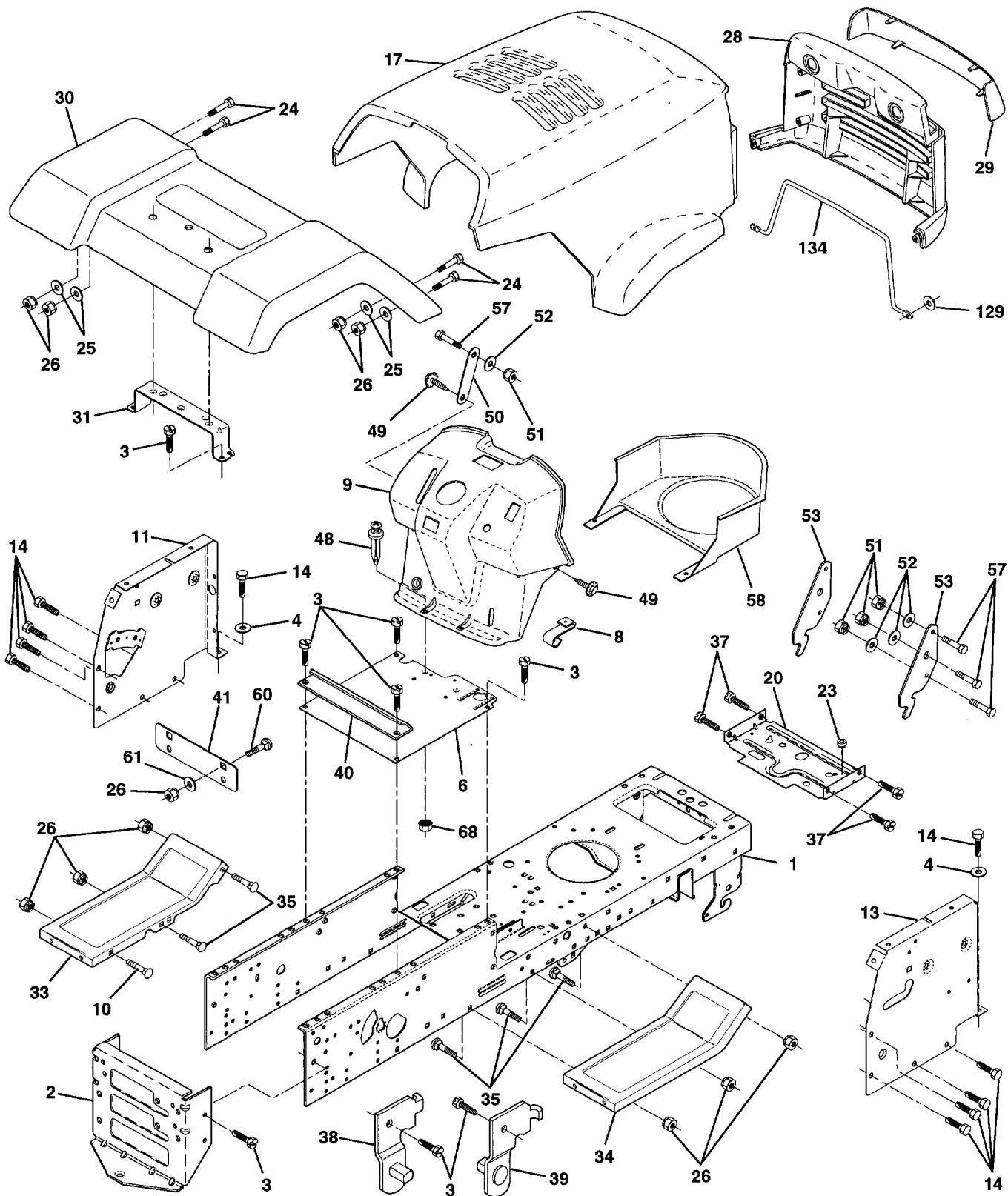
## ELECTRICAL

KEY PART NO.	PART NO.	DESCRIPTION
1	532 14 61-39	Battery 12 Volt 25 AMP
2	874 76 04-12	Bolt Hex Hd 1/4-20unc X 3/4
3	819 09 10-16	Washer 9/32 X 5/8 X 16 Ga.
4	810 04 04-00	Washer Lock Hvy Helical 1/4
6	873 22 04-00	Nut Fin Hex 1/4-20 Unc
7	532 10 92-38	Tube Plastic 12"
8	532 14 49-40	Case Battery w/2 Holes W BRTY
9	532 10 95-96	Clamp Hose Olive
15	532 14 76-88	Fastener Snap-In
19	810 09 04-00	Washer Lock 1/4
20	873 35 04-00	Nut Jam Hex 1/4-20 Unc
21	532 13 68-50	Harness Asm Light W/4152j
22	532 00 41-52	Bulb Light # 1156
24	532 12 47-80	Cable Battery 6 Ga 11 " red
25	532 14 61-47	Cable Battery 6 Ga 44" w/16W
26	532 10 88-24	Fuse 30 AMP Auto Green
28	532 12 47-73	Cable Ground 6 Ga 12" black
29	532 12 13-05	Switch Plunger Nc Gray
30	532 14 03-01	Switch Ign 4 pos w/lights
31	532 12 42-11	Nut Ignition
32	532 14 12-26	Cover Sw Ignition
33	532 12 21-47	Key Ign Modledeed Generic
35	532 10 82-36	Bracket, Switch Clutch
36	817 02 10-08	Screw Tap Hex #10-24unc X 1/2
38	532 14 03-36	Bracket, Switch, Interlock
39	532 10 95-53	Switch Intlk Clutch Red 4 Term
40	532 15 12-12	Harness Ign. Lt P/L Meck Hm
41	871 11 04-08	Bolt Blk Fin Hex 1/4 - 20 x 1/2
42	532 13 15-63	Cover Terminal Red
43	532 14 56-73	Solenoid
44	873 64 04-00	Nut Keps Hex 1/4-20 Unc
45	532 12 14-33	Ammeter, Rectangular 6amp
52	532 14 19-40	Protection Wire Loop
70	532 14 11-63	Harness, Eng. Lt PL BS12 Dual HI

**NOTE:** All component dimensions given in U.S. inches  
1 inch = 25.4 mm

# REPAIR PARTS

TRACTOR -- MODEL NO. YT130 (HEYT130B), PRODUCT NO. 954 82 01-11  
CHASSIS AND ENCLOSURES



# REPAIR PARTS

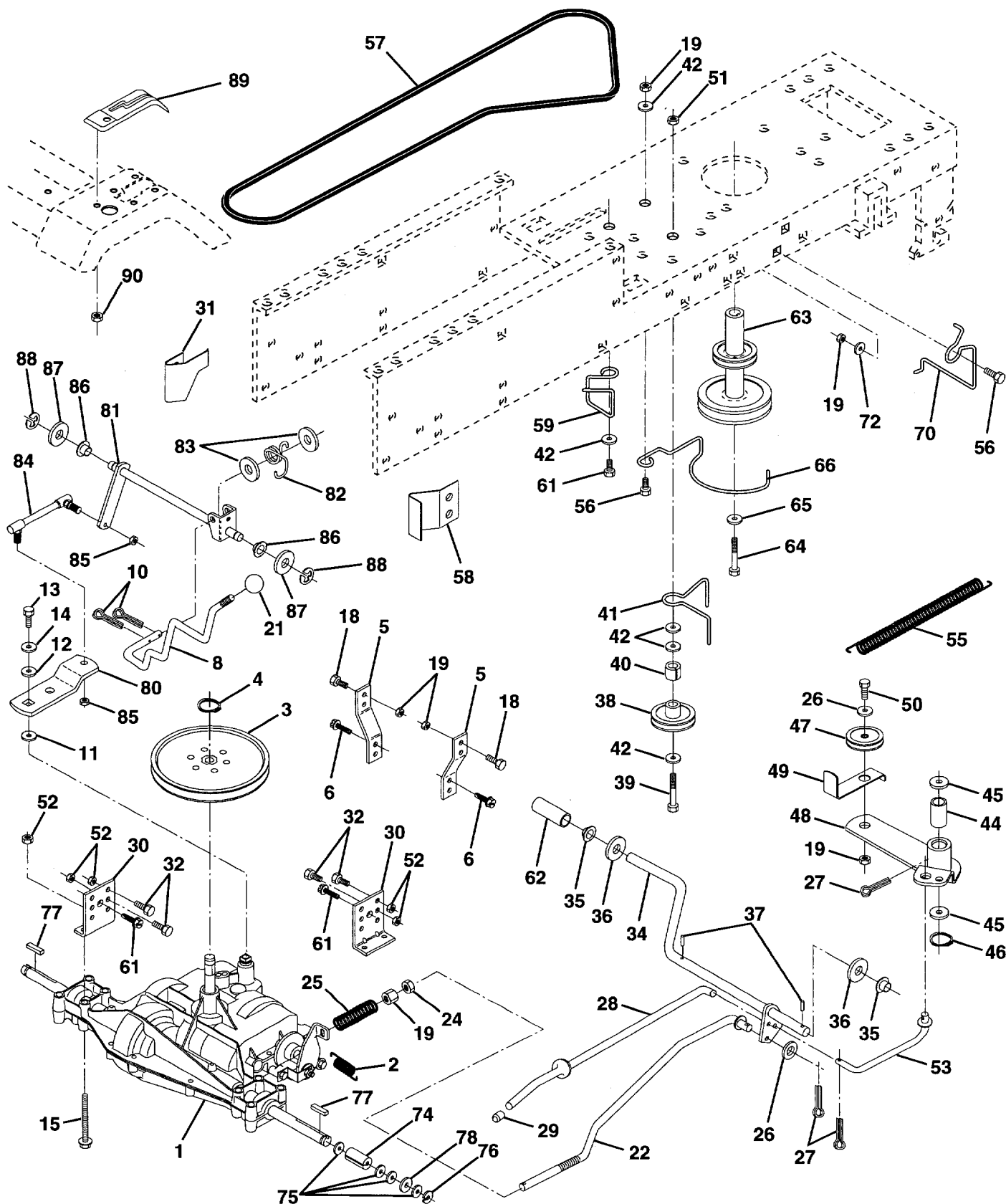
TRACTOR - - MODEL NO. YT130 (HEYT130B), PRODUCT NO. 954 82 01-11  
CHASSIS AND ENCLOSURES

KEY PART NO. NO.	DESCRIPTION
1 532 14 55-01	Chassis Weldment 11ga
2 532 14 03-56	Drawbar, Stretch
3 817 49 06-12	Screw Thdrol 3/8-16x3/4 Ty-tt
4 819 13 12-16	Washer 13/32 x 3/4 x 16 Ga.
6 532 14 52-06	Saddle LT Fender Shift
8 532 12 64-71	Clip Insulator.406 Mtg Hole
9 532 14 72-16	Dash P/L M W/AM N/Hm Grey
10 872 14 06-08	Bolt Carriage 3/8-16 x 1
11 532 14 69-65	Panel Pnt Dash Lh
13 532 14 69-59	Panel Dash Rh
14 817 49 06-08	Screw Thdrol 3/8-16x1/2 Ty-tt
17 532 14 97-75	Hood LT/PL Husqvarna
20 532 14 52-10	Plate Mtg. Battery Fuel Tank. 95
23 532 12 40-28	Bushing
24 874 78 06-16	Bolt Fin Hex 3/8-16unc X 1 Gr. 5
25 819 13 13-12	Washer 13/32 X 13/16 X 12 Ga
26 873 80 06-00	Nut Lock Hex W/Ins 3/8-16 Unc
28 532 14 97-76	Grille LT/PL Husqvrna
29 532 14 97-77	Lens LT/PL Husqvrna
30 532 14 30-50	Fender Pnt
31 532 13 99-76	Bracket Support Fender
33 532 14 72-03	Footrest Pnt Lh
34 532 14 72-02	Footrest Pnt Rh
35 872 11 06-06	Bolt Rdhd Sht Sqnk 3/8-16 X314
37 817 49 05-08	Screw Thdrol 5/16-18 X1/2
38 532 13 98-86	Bracket, Asm. Pivot, L.H., Mower Rear
39 532 13 98-87	Bracket, Asm. Pivot, R.H., Mower Rear
40 532 13 99-77	Spacer, Fender Raised Lt
41 532 13 99-78	Plate Extension Fender Lt
48 532 13 80-96	Rivet Push Plate D Plastick Blk
49 817 49 04-12	Screw Hexwsh. Thdrol 1/4-20 x 3/4
50 532 14 27-79	Brace
51 873 80 04-00	Nut Lock Hex W/Ins 1/4-20
52 819 09 14-16	Washer 9/32 x 7/8 x 16 Ga.
53 532 15 00-67	Bracket Pnt. Pick off LT/PL Husq.
57 874 78 04-12	Bolt Hex 1/4-20 x 3/4
58 532 15 01-27	Air Duct P/L
60 872 14 06-06	Bolt Rdhd Sqnk 3/8-UNC x 3/4
61 819 17 14-16	Washer 17/32 x 7/8 x 16 Ga.
68 873 51 04-00	Nut Keps Hex 1/4-20
129 819 09 10-16	Washer 9/32 x 5/8 x 16 Ga.
134 532 15 01-32	Rod Support Hood LT/PL Husq.
- - 532 00 54-79	Plug Button
- - 532 13 40-14	Plug Dome Blk

**NOTE:** All component dimensions given in U.S. inches  
1 inch = 25.4 mm

# REPAIR PARTS

TRACTOR -- MODEL NO. YT130 (HEYT130B), PRODUCT NO. 954 82 01-11  
DRIVE



# REPAIR PARTS

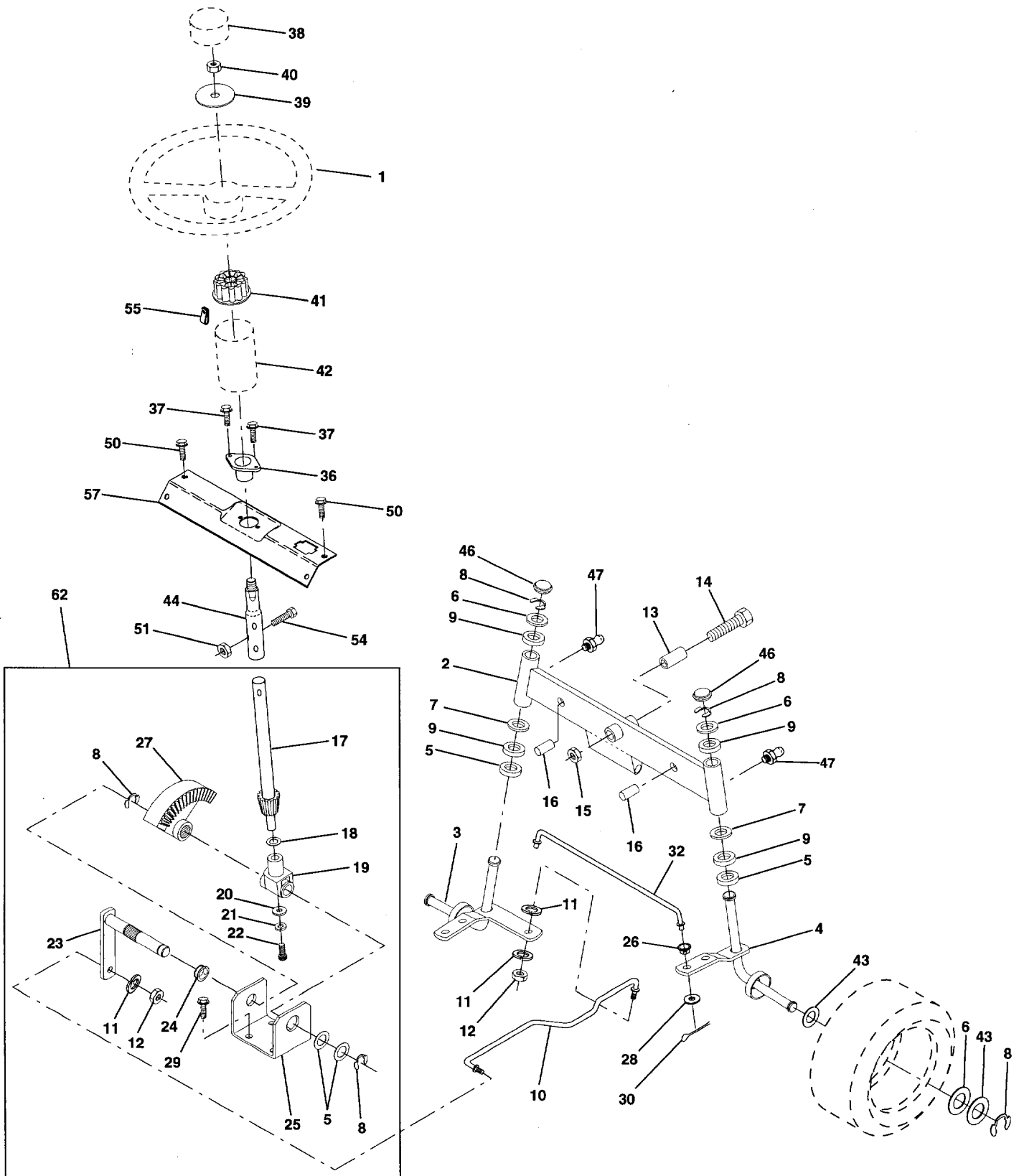
## TRACTOR -- MODEL NO. YT130 (HEYT130B), PRODUCT NO. 954 82 01-11 DRIVE

KEY PART NO. NO.	DESCRIPTION	KEY PART NO. NO.	DESCRIPTION
1 532 14 56-05	Transaxle 6sp Dana LT Model # 4360-96	47 532 12 77-83	Pulley Idler V Groove Plastic
2 532 14 66-82	Spring Return Brake T/a	48 532 12 37-89	Bellcrank Asm Clutch
3 532 12 36-66	Pulley Transaxle 18" tires	49 532 12 32-05	Retainer Belt Style Spring
4 812 00 00-28	Ring Retainer # 5100-62	50 874 76 06-24	Bolt Hex Hd 3/8-16unc X 1-1/2
5 532 12 15-20	Strap Torque 30 Degrees	51 873 68 06-00	Nut Crownlock 3/8-16 Unc
6 817 49 05-12	Screw Thdrol 5/16-18 X 3/4 TYT	52 873 68 05-00	Nut Crownlock 5/16-18 Unc
8 532 14 10-03	Rod Shifter	53 532 10 57-10	Link Clutch 7 66
10 876 02 04-16	Pin Cotter 1/8 X 1 Cad	55 532 10 57-09	Spring Return Clutch 6 75
11 532 10 57-01	Washer Plate Shf 388 Sq Hole	56 874 76 06-20	Bolt, Fin Hex 3/8-16 UNC x 1-1/4
12 819 15 12-16	Washer 15/32 x 3/4 x 16	57 532 13 08-01	V-Belt Ground Drive
13 874 55 04-12	Bolt 1/4-28 UNF Gr. 8 W/Patch	58 532 12 72-74	Keeper Belt RH LT Pnt/zinc 16g
14 810 04 04-00	Washer Lock Hvy Helical 1/4	59 532 14 03-12	Keeper Belt Chassis Span Ctr
15 874 49 05-44	Bolt Hex Flghd 5/16-18 Gr. 8	61 817 49 06-12	Screw Thdrol 3/8-16x3/4
18 874 78 06-16	Bolt Fin Hex 3/8-16 UNC x 1	62 532 12 35-33	Cover Pedal Premuim
19 873 80 06-00	Nut Lock Hex W/wsh 3/8-16unc	63 532 14 01-86	Engine Pulley LT/YT
21 532 12 12-74	Knob Duckhead 1/2-13unc Blk	64 871 17 07-64	Bolt Hex 7/16-20x4 Gr5
22 532 13 08-04	Rod Brake Blk Zinc 27 326	65 810 04 07-00	Washer Lock Hvy Hlcl Spr 7/16
24 873 35 06-00	Nut Hex Jam 3/8-16 Unc	66 532 12 99-21	Keeper Belt Engine LH LT
25 532 10 68-88	Spring Rod Brake 2 00 Zinc	70 532 13 46-83	Guide Belt Mower Drive RH
26 819 13 13-16	Washer 13/32 X 13/16 X 16 Ga	72 819 13 20-12	Washer 13/32 X 1-1/4 X 12 Ga
27 876 02 04-12	Pin Cotter 1/8 X 3/4 Cad	74 532 10 95-02	Spacer Axle
28 532 14 52-04	Rod Brake Parking	75 532 12 17-49	Washer 25/32 X 1 1/4 X 16 Ga
29 532 07 16-73	Cap Brake Parking Black	76 812 00 00-01	E-ring #5133-75
30 532 13 08-07	Bracket Mtg Transaxle	77 532 12 35-83	Key Square 2 0 X 1845/ 1865
31 532 12 72-75	Keeper Belt LH LT 14 Ga	78 532 12 17-48	Washer 25/32 X 1-5/8 X 16 Ga
32 874 76 05-12	Bolt Hex Hd 5/16-18unc X 3/4	80 532 13 14-87	Arm Shift Transaxle
34 532 14 90-01	Shaft Asm Pedal Foot	81 532 13 69-33	Shaft Asm Cross 20"t 42"deck
35 532 12 01-83	Bearing Nylon Blk 629 Id	82 532 12 37-82	Spring Torsion T/a
36 819 21 16-16	Washer 21/32 X 1 X 16 Ga	83 819 17 12-16	Washer 17/32 X 3/4 X 16 Ga
37 532 12 49-63	Pin Roll 3/16 X 1"	84 532 13 21-83	Rod Tie
38 532 12 36-74	Pulley Idler Flat	85 532 15 03-60	Nut, Lock, Center 1/4-28
39 874 76 06-44	Bolt Fin Hex 3/8-16unc X 2-3/4	86 532 07 12-08	Bushing Rod Strg 629/632 Id
40 532 12 49-65	Spacer Split 395 X 59 Bzp	87 819 21 20-16	Washer 21/32 X 1 -1/4 X 16 Ga
41 532 10 90-70	Keeper Belt Retainer	88 812 00 00-08	Ring Klip #5304-62
42 819 13 13-12	Washer 13/32 X 13/16 X 12 Ga	89 532 13 99-64	Console Shift 6sp N/ign LT
44 532 10 57-06	Bearing Nyl 503 X 628 X 1 25	90 532 12 43-46	Nut Self-Thd Wsh Hd 1/4
45 532 11 08-12	Washer Hardened		
46 812 00 00-39	Ring Klip #t5304-50 .		

**NOTE:** All component dimensions given in U.S. inches  
1 inch = 25.4 mm

# REPAIR PARTS

TRACTOR -- MODEL NO. YT130 (HEYT130B), PRODUCT NO. 954 82 01-11  
STEERING ASSEMBLY





# REPAIR PARTS

TRACTOR - - MODEL NO. YT130 (HEYT130B), PRODUCT NO. 954 82 01-11

## STEERING ASSEMBLY

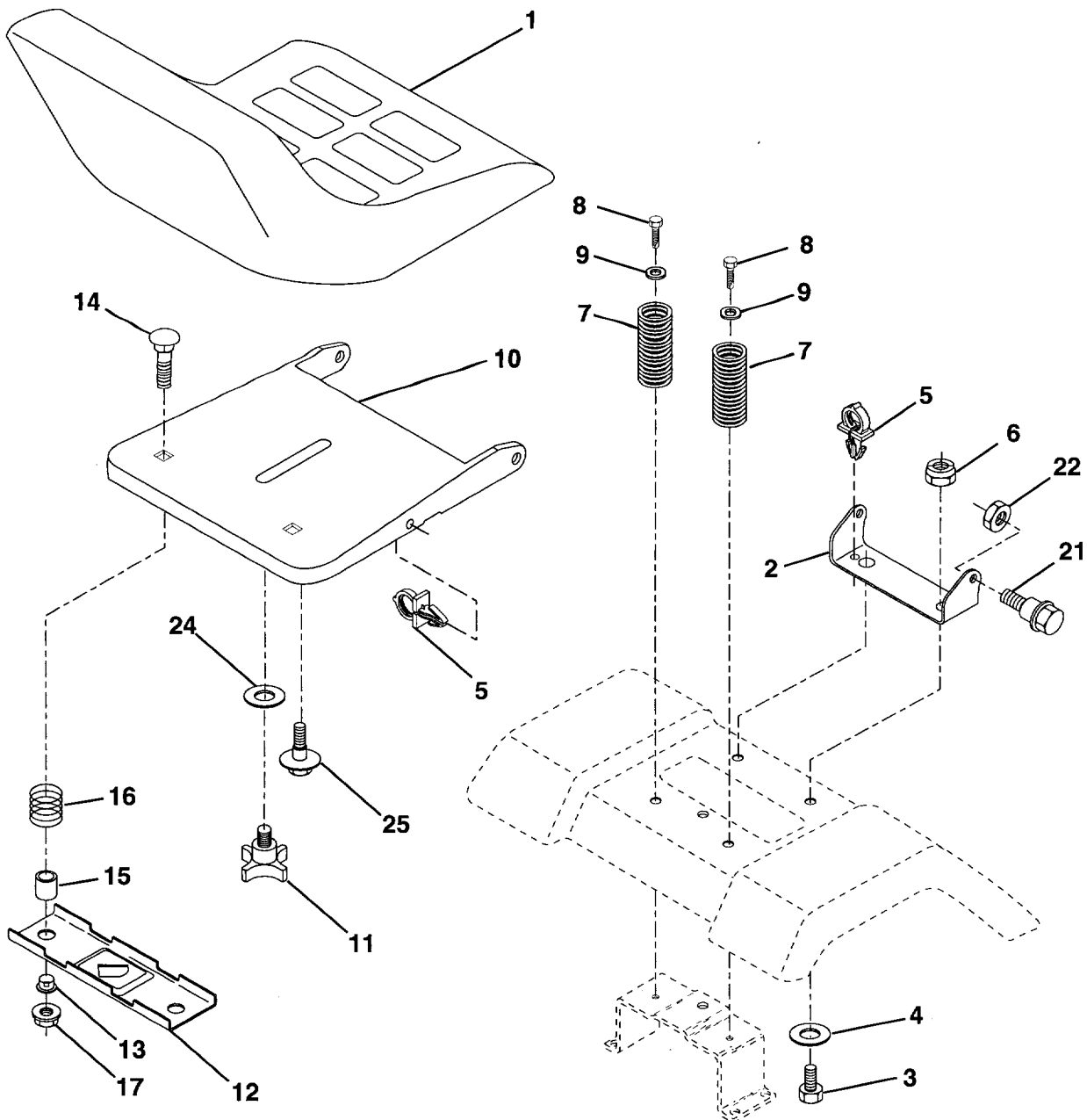
KEY NO.	PART NO.	DESCRIPTION
1	532 12 44-15	Wheel Steering Auto Grey
2	532 14 20-33	Axle Asm Fr LT W/gzks 38/42
3	532 13 52-27	Spindle Asm LH
4	532 13 52-28	Spindle Asm RH
5	532 12 49-31	Bearing Race Thrust Harden
6	532 12 17-48	Washer 25/32 X 1 -5/8 X 16 Ga
7	819 27 20-16	Washer 27t32 X 1 -1/4 X 16 Ga
8	812 00 00-29	Ring Klip #t5304-75
9	532 12 49-37	Bearing Col Strg Blk
10	532 13 04-68	Link Drag Sol Ball Jt 20 064
11	810 04 06-00	Washer Lock Hvy Hlcl Spr 3/8
12	873 61 06-00	Nut Fin Hex 3/8-24 Unf
13	532 11 04-38	Spacer Bearing Axle Front
14	874 01 10-56	Bolt Hex 5/8-11 Unc X 3-1/2
15	873 90 10-00	Nut Lock Flange 5/8-11 Unc
16	532 13 26-24	Pin Axle 5/8 X 1 55/1 54 Lg
17	532 14 01-76	Shaft Asm Strg Private Label
18	532 05 70-79	Washer Thrust 515x 750x 033
19	532 12 40-35	Support Shaft
20	532 12 66-84	Washer Shim 1/4 X 5/8 X 062
21	810 04 04-00	Washer Lock Hvy Helical 1/4
22	871 07 04-10	Screw Hex Socket 1/4-20 X 5/8
23	532 12 75-01	Shaft Asm Pittman
24	532 10 98-16	Nyliner Snap In
25	532 12 40-36	Bracket Steering
26	543 12 68-47	Bushing Link Drag Blk LR
27	532 13 68-74	Gear Sector
28	819 13 14-16	Washer 13/32 X 7/8 X 16 Ga
29	817 49 06-12	Screw Thdrol 3/8-16x314 Ty-tt
30	876 02 04-12	Pin Cotter 1/8 X 3/4 Cad
32	532 13 04-65	Rod Tie Wire Form 19 75 Mech
36	532 10 28-03	Bushing Strg
37	817 43 10-08	Screw Slftp #10-16 X 1/2 Ty-b
38	532 12 44-16	Insert Cap Strg Wh Au
39	819 13 38-08	Washer 13/32 X 2-3/8 X 8 Ga
40	532 12 47-01	Nut Lock Center 3/8-24unf
41	532 10 48-20	Adaptor Wheel Strg 640/ 635id
42	532 15 03-90	Boot Steering Shaft
43	532 12 17-49	Washer 25/32 X 1 1/4 X 16 Ga
44	532 14 66-90	Shaft Extention Steering
46	532 12 12-32	Cap Spindle Fr Top Blk
47	532 12 48-36	Fitting Grease
50	817 49 04-12	Screw Hex Wsh Thdrol 1/4-20 x 3/4
51	873 80 05-00	Nut Lock Hex w/Ins 5/16-18
54	874 78 05-20	Bolt Fin Hex 5/16-18 Unc x 1-1/4
55	532 14 02-85	Clip Tinnerman
57	532 14 01-72	Support Shaft Steering
62	532 14 96-86	Kit, Steering Assembly

**NOTE:** All component dimensions given in U.S. inches  
1 inch = 25.4 mm

# REPAIR PARTS

TRACTOR -- MODEL NO. YT130 (HEYT130B), PRODUCT NO. 954 82 01-11

## SEAT ASSEMBLY



KEY NO.	PART NO.	DESCRIPTION
---------	----------	-------------

1	532 14 08-38	Seat
2	532 14 05-51	Bracket Pivot Seat
3	874 76 06-16	Bolt Fin Hex
4	819 13 16-10	Washer Flat
5	532 14 50-06	Clip Push-In
6	873 80 06-00	Nut Lock Hex W/Ins 3/8-16 UNC
7	532 12 41-81	Spring Seat Cprsn 2 250 Blk Zi
8	817 49 06-16	Screw Hwsh Thdrol 3/8-16 x 1
9	819 13 16-14	Washer 13/32 X 1 X 14 Ga
10	532 14 05-52	Pan Seat
11	532 12 00-68	Knob Seat 1/2-13unc Blk
12	532 12 12-46	Bracket Mounting Switch

KEY NO.	PART NO.	DESCRIPTION
---------	----------	-------------

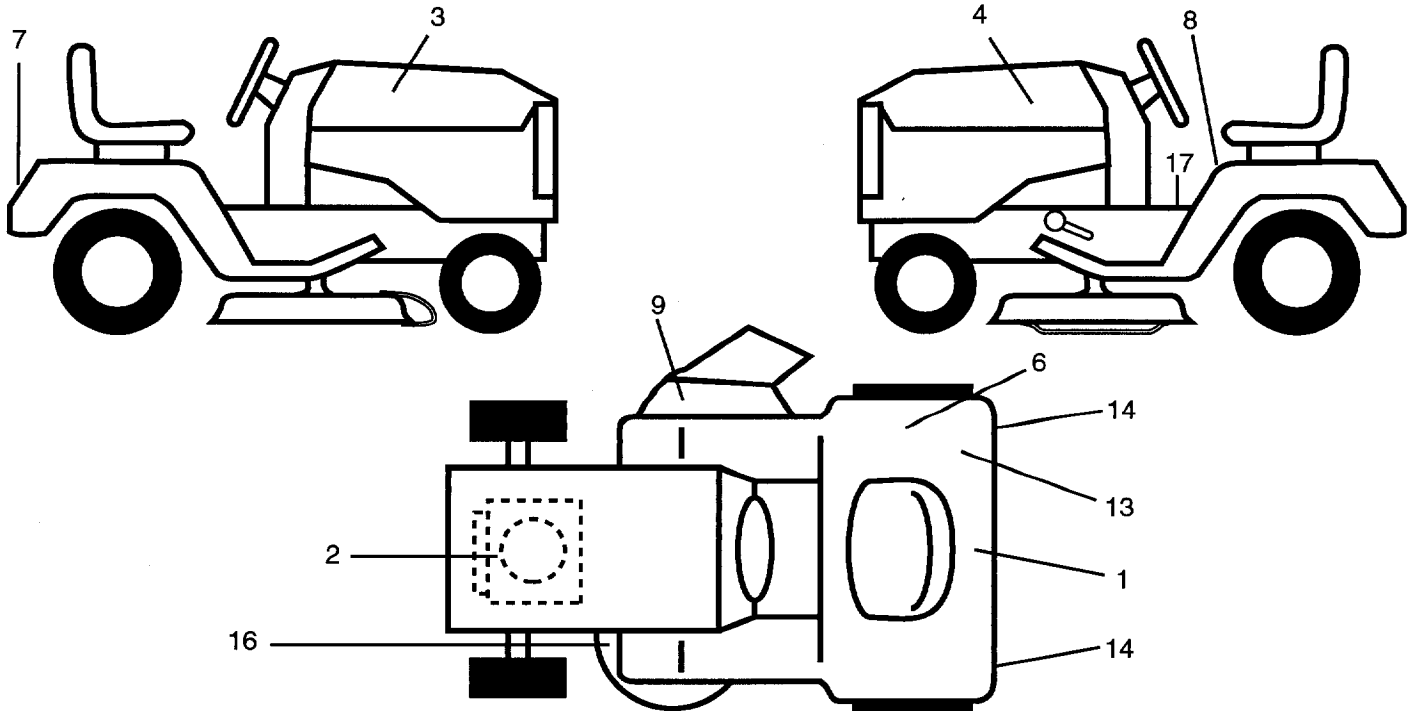
13	532 12 12-48	Bushing Snap Blk Nyl 50 Id
14	872 05 04-11	Bolt Rdhd Sht Nk 1/4-20x1-3/8
15	532 13 43-00	Spacer Slit
16	532 12 12-50	Spring Cprsn
17	532 12 39-76	Nut Lock 1/4 Lge Flg Gr 5 Zinc
21	532 13 98-88	Bolt Shoulder 5/16-18 Unc Blkz
22	873 68 05-00	Nut Crown Lock 5/16-18
24	819 17 19-12	Washer 17/32 X 1-3/16 X 12 Ga
25	532 12 70-18	Bolt Shoulder 5/16-18 X 62

**NOTE:** All component dimensions given in U.S. inches  
1 inch = 25.4 mm

# REPAIR PARTS

TRACTOR - - MODEL NO. YT130 (HEYT130B), PRODUCT NO. 954 82 01-11

## DECALS



### KEY PART NO.

### DESCRIPTION

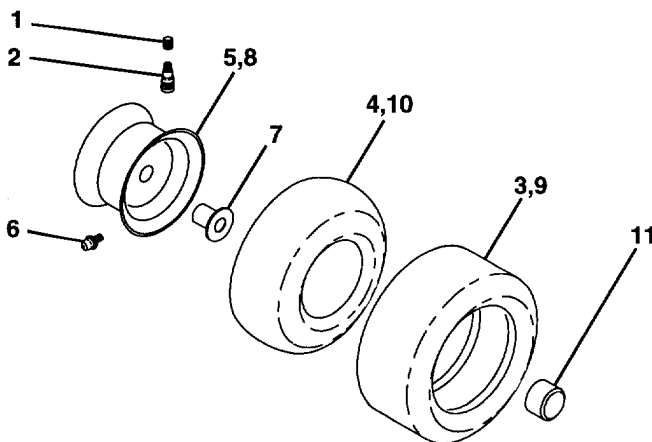
1	532 14 64-51	Decal Bat Dan/Poi P/L Symbols
2	532 27 32-12	Decal Engine
3	532 15 13-20	Decal Hood RH Husq YT130
6	532 14 54-37	Decal Europe Stand C.E.
7	532 15 06-17	Decal Fender Husqvarna
8	532 14 54-98	Decal Read Owner's Manual Syms
9	532 14 54-94	Decal Mower Cutting Symbol
13	532 12 56-90	Decal 100 DbA
14	532 10 62-02	Reflector Tail Light Red/amber
16	532 13 68-32	Decal V-Belt Sch
17	532 14 08-37	Decal Brake Parking Saddle

### KEY PART NO.

### DESCRIPTION

--	532 14 52-47	Fastener Pop-In Footrest (8)
--	532 13 83-11	Decal Lift Handle (Lift Handle)
--	532 14 52-46	Pad Footrest
--	532 15 31-86	Manual Operator's Scan
Available accessories not included with tractor:		
--	GWN42	Gauge Wheels for 42" Vent Deck
--	CE42	Grass Catcher
--	LBD48	48" Snow Blade
--	LSB42	42" Snow Blower
--	MK420	Mulch Kit With Blades
--	LC05	Wheel Weights (Pair)

## WHEELS & TIRES



### KEY PART NO.

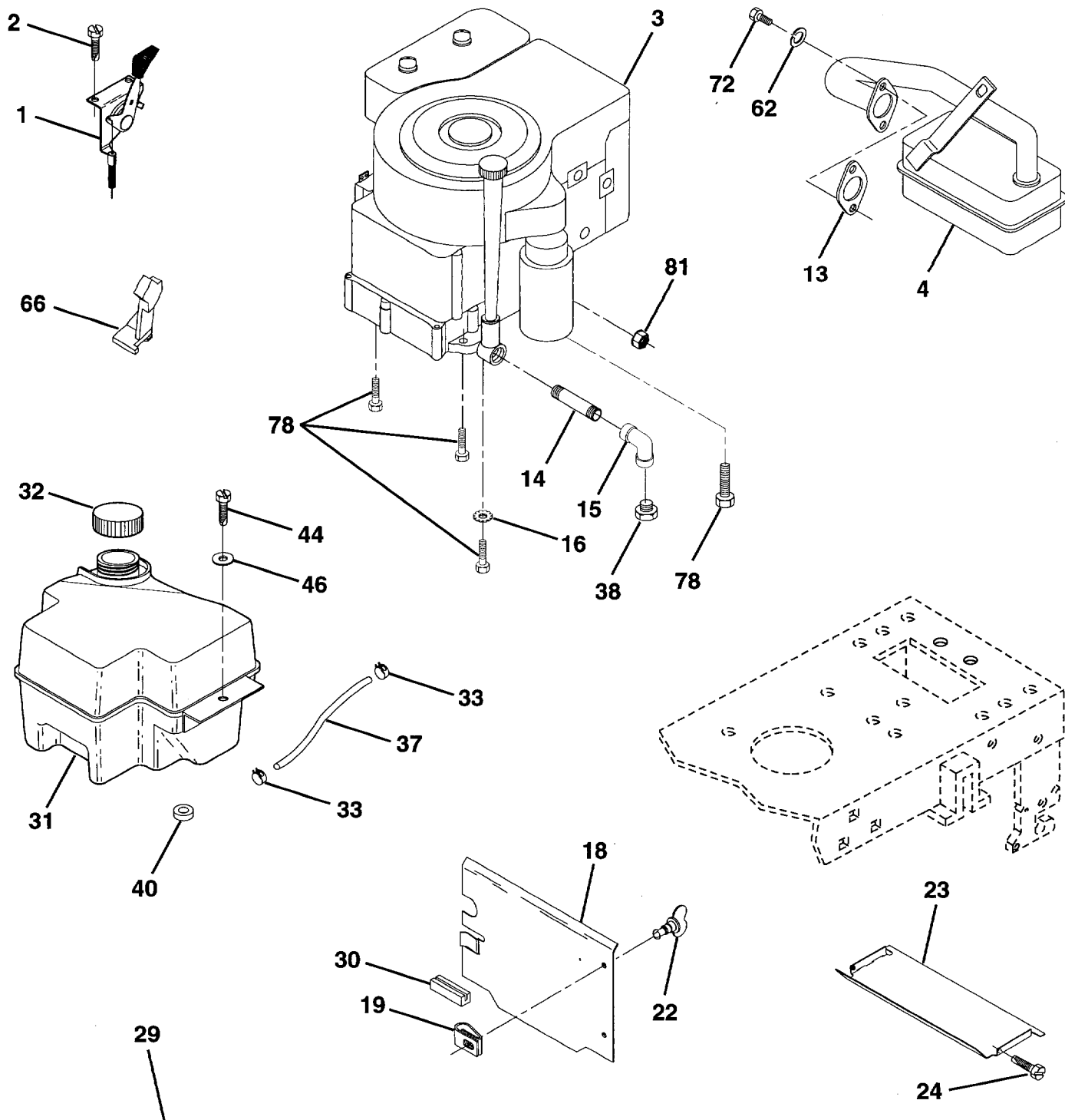
### DESCRIPTION

1	532 05 91-92	Cap Valve Tire
2	532 06 51-39	Stem Valve
3	532 10 62-22	Tire F Ts 15 X 6 0 - 6 Service
4	532 05 99-04	Tube Front (Service Item Only)
5	532 13 83-36	Rim Asm 6" front Silver Service
6	532 12 49-57	Fitting Grease (Front Wheel Only)
7	532 12 49-59	Bearing Flange (Front Wheel Only)
8	532 13 83-37	Rim Asm 8"rear Silver Service
9	532 12 20-82	Tire R Ts 20x10-8 C Service
10	532 12 49-26	Tube Rear (Service Item Only)
11	532 10 47-57	Cap Hub Axle
--	532 14 43-34	Sealant, Tire ( 10 oz. Tube)

**NOTE:** All component dimensions given in U.S. inches  
1 inch = 25.4 mm

# REPAIR PARTS

TRACTOR - - MODEL NO. YT130 (HEYT130B), PRODUCT NO. 954 82 01-11  
ENGINE



**OPTIONAL EQUIPMENT**  
**Spark Arrester**

# REPAIR PARTS

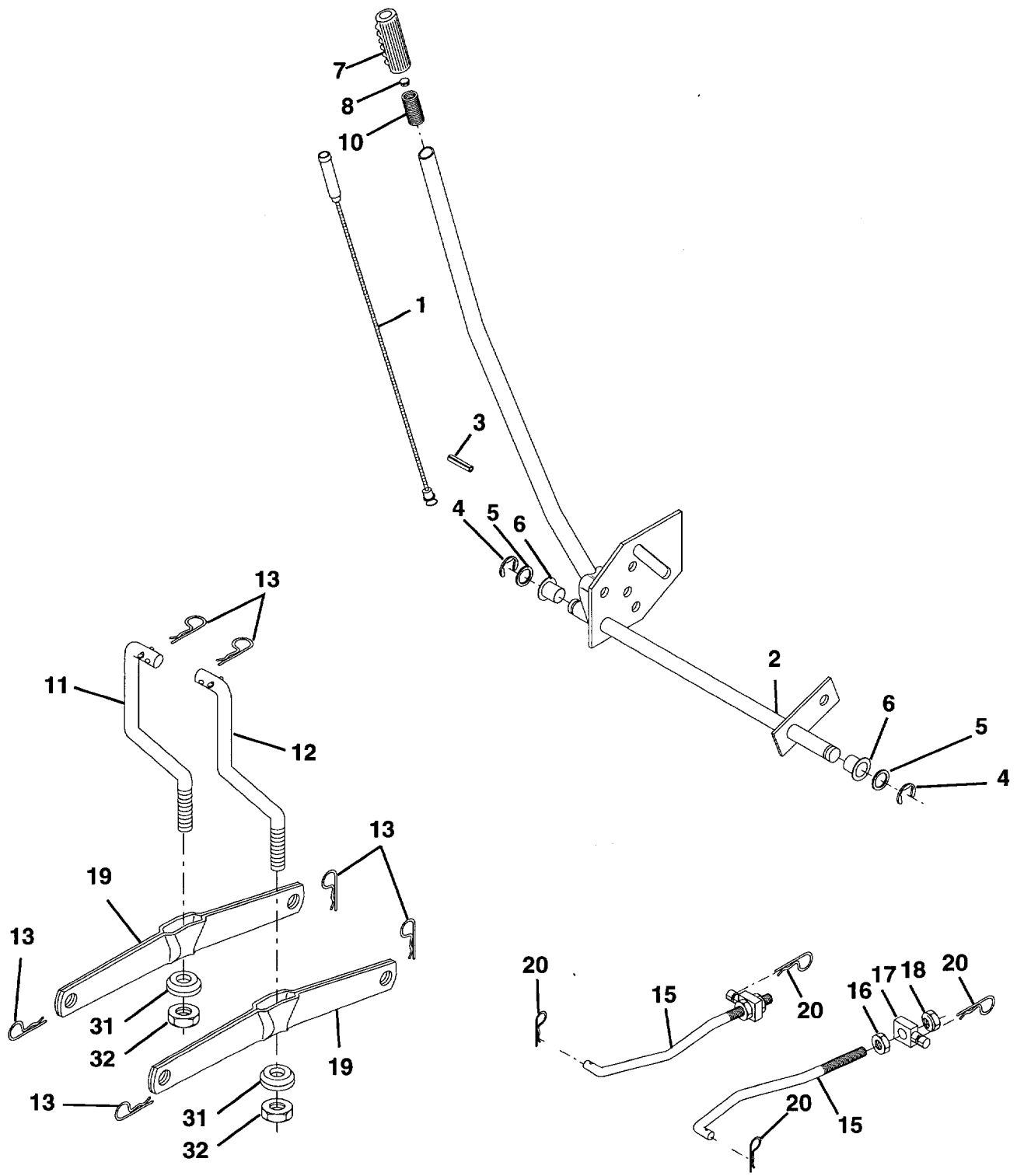
TRACTOR - - MODEL NO. YT130 (HEYT130B), PRODUCT NO. 954 82 01-11  
ENGINE

KEY NO.	PART NO.	DESCRIPTION
1	532 14 13-59	Control Th/ch LH Blk Flg 23.5
2	817 72 04-10	Screw Hex Thd Cut 1/4-20x5/8 T
3	-----	Engine B&S 12.5 ICQ/ 13D/IC 1 DC Model No. 28M707
4	532 13 73-48	Muffler LT B&S 12/12 5 HP
13	532 27 22-93	Gasket Eng 1 313 Id Tin Plated
14	813 28 03-24	Nipple Pipe 3/8 Npt X 3"
15	813 20 03-00	Elbow Std 90 Degree 3/8-18 Npt
16	811 05 06-00	Washer Lock Ext Tooth 3/8
18	532 13 67-18	Shield Heat Lt
19	532 10 58-39	Receptacle 1/4 Turn Dacrotized
22	532 14 97-93	Stud 1/4 Turn W/Bushing Plastic
23	532 12 89-53	Shield Heat Browning LT/YT
24	817 02 10-08	Screw Tap Hex #10-24unc X 1/2
29	532 13 71-80	Kit Spark Arrestor (Flat Scrn)
30	532 12 70-57	Pinch Weld Hood Black 2.00
31	532 14 02-80	Tank Fuel Front 2.00
32	532 14 05-27	Cap Asm Fuel
33	532 12 34-87	Clamp Hose Blk
37	532 13 70-40	Line Fuel 20" Front Fuel Tank
38	-----	Plug Oil Drain (Order From Engine Manufacturer)
40	532 12 40-28	Bushing Snap Nyl Blk Fuel Line
44	817 49 04-12	Screw Hex Wsh Thdrol 114-20 x 3/4
46	819 09 14-16	Washer 9/32 x 7/8 x 16 Ga.
62	810 04 05-00	Washer Lock Hvy Hlcl Spr 5/16
66	532 12 79-51	Stop Throt 3000 Rpm
72	871 07 05-12	Screw Hexhd Cap 5/16-18x3/4
78	817 49 06-20	Screw Thdrol 3/8-16x1 -1 /4 TYTT
81	532 12 88-61	Nut Flange 1/4-20 Starter Nut

**NOTE:** All component dimensions given in U.S. inches  
1 inch = 25.4 mm

# REPAIR PARTS

TRACTOR -- MODEL NO. YT130 (HEYT130B), PRODUCT NO. 954 82 01-11  
MOWER LIFT ASSEMBLY



# REPAIR PARTS

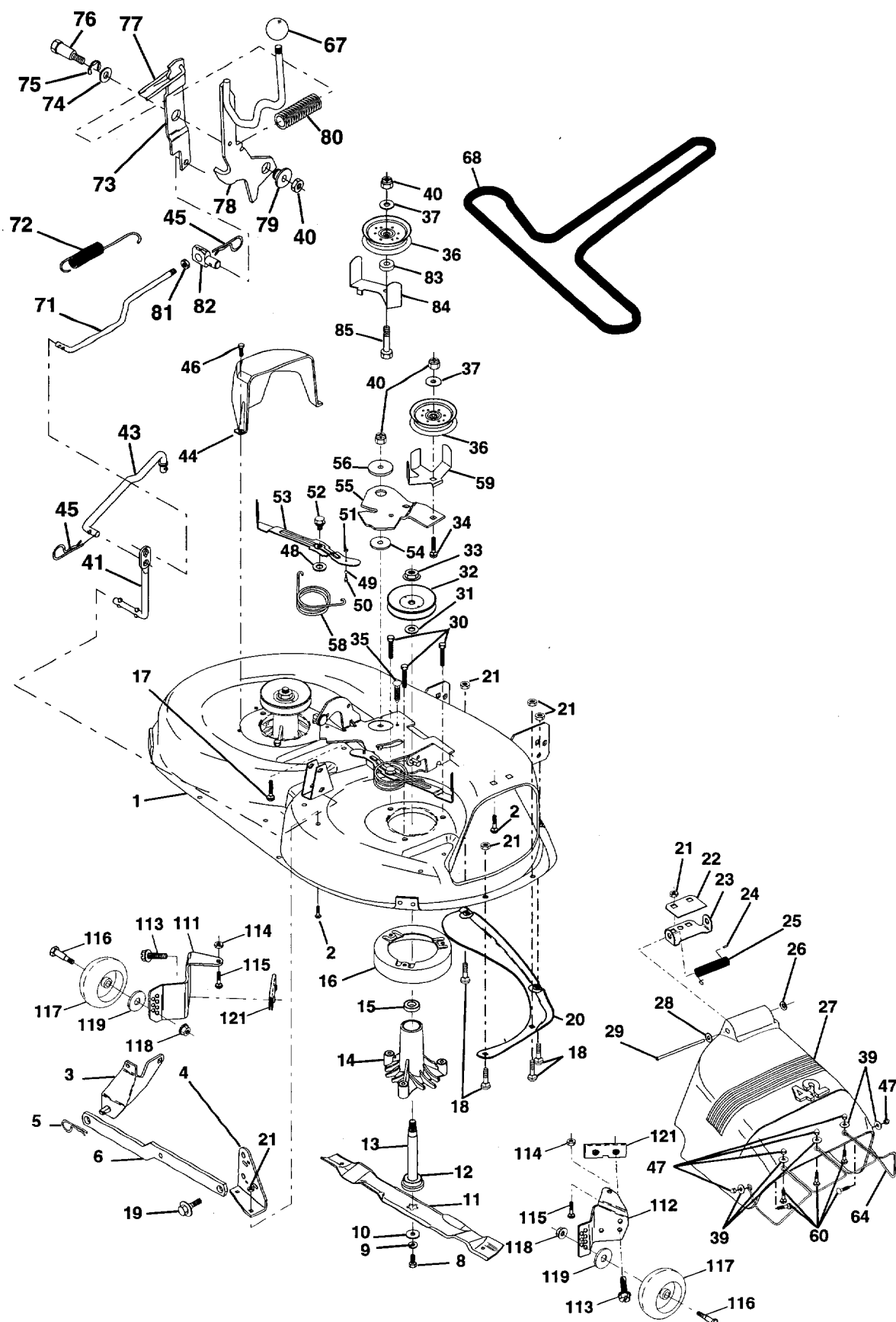
TRACTOR - - MODEL NO. YT130 (HEYT130B), PRODUCT NO. 954 82 01-11  
MOWER LIFT ASSEMBLY

KEY PART NO.	PART NO.	DESCRIPTION
1	532 13 69-73	Wire Asm Inner W/plunger 17 32
2	532 15 05-88	Shaft Asm Lift LH
3	532 13 82-84	Pin Groove 1.75 x .3115 Zinc
4	812 00 00-02	E Ring #5133-62
5	819 21 16-21	Washer 21/32 x 1 x 21 Ga
6	532 12 01-83	Bearing Nylon Blk 629 Id
7	532 12 56-31	Grip Handle Fluted Blk
8	532 12 45-26	Button Plunger Black
10	532 12 25-12	Spring Cprsn 3 750 Oiled
11	532 13 98-65	Link Lift LH
12	532 13 98-66	Link Lift RH
13	532 12 46-70	Retainer Spring
15	532 12 72-18	Link Front
16	873 35 08-00	Nut Jam Hex 1/2-13 Unc
17	532 13 01-71	Trunnion Blk Zinc
18	873 80 08-00	Nut Lock W/wsh 1/2-13unc
19	532 13 98-68	Arm Suspension Rear
20	532 12 46-60	Retainer Spring
31	532 14 03-02	Bearing pvt. Lift Sphencal
32	873 54 06- 00	Nut Crownlock 3/8-24

**NOTE:** All component dimensions given in U.S. inches  
1 inch = 25.4 mm

# REPAIR PARTS

TRACTOR -- MODEL NO. YT130 (HFYT130B), PRODUCT NO. 954 82 01-11  
MOWER





# REPAIR PARTS

TRACTOR - - MODEL NO. YT130 (HFYT130B), PRODUCT NO. 954 82 01-11

## MOWER

KEY NO.	PART NO.	DESCRIPTION	KEY NO.	PART NO.	DESCRIPTION
1	532 14 43-93	Housing Asm MWR 42" HL MCH T-Path	51	532 06 91-80	Nut Lock # 10-24 Unc
2	872 14 05-06	Bolt Rdhd Sqnk 5/16-18unc X 3/4	52	532 13 98-88	Bolt Shoulder 5/16-18 Unc Blkz
3	532 13 80-17	Bracket Asm Fr Sway Bar 38/42	53	532 13 18-45	Arm Asm Pad Brake
4	532 13 84-40	Bracket Asm Deck42"sway Bar	54	532 13 39-43	Washer Hardened
5	532 12 46-70	Retainer Spring	55	532 14 00-84	Arm Idler 42"mower
6	532 13 08-32	Arm Suspension Rear	56	532 12 20-52	Spacer Retainer Pm Mower
8	532 85 08-57	Bolt 3/8-24x1 25 Gr8 Patched	58	532 14 00-86	Spring Torsion Brakes 42"
9	810 03 06-00	Washer Lock Hvy 3/8 Unplated	59	532 14 10-43	Guard TUV Idler
10	532 14 02-96	Washer Hard Blade Mower Vented	60	871 16 10-10	Screw Truss Hd Phil 10-24 x 5/8
11	532 13 84-98	Blade Mower 42" High Lift	64	532 13 93-28	Guard Deflector Mower 42" TUV
12	532 12 98-95	Bearing Ball #6204 (Mandrel)	67	532 10 69-33	knob Rd 1/2-13 Pastic Thds Blk
13	532 13 76-45	Shaft Asm W/lower Bearing	68	532 14 42-00	V-Belt Mower
14	532 12 87-74	Housing Mandrel Vented (machd)	71	532 14 24-27	Rod Clutch Primary 38/42
15	532 11 04-85	Bearing Ball Mandrel	72	532 13 18-70	Spring Return
16	532 14 03-29	Stripper Mower Round	73	532 12 78-47	Arm Clutch Secondary
17	872 11 06-10	Bolt Rdhd Sqnk 3/8-16 X 1.25	74	532 12 17-48	Washer 25/32 X 1 -5/8 X 16 Ga
18	872 14 05-05	Bolt Carr 5/16-18 X 5/8	75	812 00 00-29	Ring Klip #5304-75
19	532 13 28-27	Bolt Shoulder	76	532 12 89-03	Bolt Shoulder 3/8-16 Unc 1 44
20	532 13 68-88	Baffle Vortex 42	77	532 12 78-45	Keeper Spring 4 000
21	873 68 05-00	Nut Crown Lock 5/16-18	78	532 14 01-79	Lever Asm Clutch Primary PL
22	532 13 47-53	Stiffener Bracket 42" deck	79	532 12 74-98	Bushing 747 Od X 794 Lg Brass
23	532 13 12-67	Bracket Deflector Mower 42"	80	532 12 87-59	Spring Clutch Mower 2 750 Zinc
24	532 10 53-04	Cap Sleeve 80x 112 Blk Mower	81	873 35 06-00	Nut Hex Jam 3/8-16
25	532 12 37-13	Spring Torsion Deflector 2 52	82	532 14 20-28	Trunnion Adj.
26	532 11 04-52	Nut Push Phos & Oil	83	532 12 09-58	Washer Sintered
27	532 13 94-50	Shield Deflector Mower 42" Blk	84	532 14 43-94	Keeper Belt Idler Fixed
28	819 11 10-16	Washer 11/32 X 5/8 X 16 Ga	85	872 14 06-18	Bolt Rdhd Sqnk 3/8-16 x 2-1/4
29	532 13 14-91	Rod Hinge 42"6 75 Wlg	111	532 14 03-53	Support Bracket Guage Wheel LH
30	532 13 87-76	Screw Thdrol Hex Hd Zinc	112	532 13 22-62	Support Bracket Guage Wheel RH
31	532 12 99-63	Washer Spacer Mower Vented	113	817 49 05-12	Screw Thdrol 5/16-18 x 3/4 TYT
32	532 12 98-61	Pulley Mandrel 42"	114	873 51 05-00	Nut Keps 5/16-18
33	532 13 72-66	Nut 9/16top Lock Flng	115	872 11 05-04	Bolt Carriage 5/16-18 x1/2
34	872 11 06-14	Bolt Rdhd 3/8-16uncx1 -3/4 Gr5	116	532 13 76-44	Bolt, Shoulder
35	532 13 38-35	Fastner Christmas Tree	117	532 13 39-57	Wheel Guage
36	532 13 14-94	Pulley Idler Flat 3 060	118	873 93 06-00	Nut Centerlock 3/8-16 UNC
37	819 13 13-16	Washer 13/32 x 13/16 x 16 Ga.	119	819 12 14-14	Washer 3/8 x 7/8 x 14
39	819 07 07-18	Washer 7/32 x 7/16 x 18 Ga.	121	532 14 37-23	Bracket Extruded Guage Wheel
40	873 68 06-00	Nut Crowniock 3/8-16 Unc	--	532 14 47-83	Deck Serv 42" Mech (Std Deck - Order separately, nose roller components Key. Nos. 90-95 and CE certification components, Kit No. EC42)
41	532 13 35-51	Rod Pivot W/nibs	--	532 13 07-94	Mandrel Assembly (Includes Key Numbers 8-10, 12-15, 31 and 33)
43	532 14 00-83	Rod Clutch Secondary W/nibs			
44	532 14 00-88	Guard Mandrel LH Black			
45	532 12 47-88	Spring Retainer 1" Zinc/cad			
46	532 13 77-29	Screw Hex Thd Cut 1/4-24 UNC			
47	532 06 08-67	Nut Acorn Hex # 10-24			
48	532 13 39-44	Washer Hardened Smaller			
49	532 13 39-40	Roller Asm Cam Follower 42"dec			
50	532 13 13-40	Bolt Shldr 10-24 Zinc Gr 5 42"			

**NOTE:** All component dimensions given in U.S. inches  
1 inch = 25.4 mm