

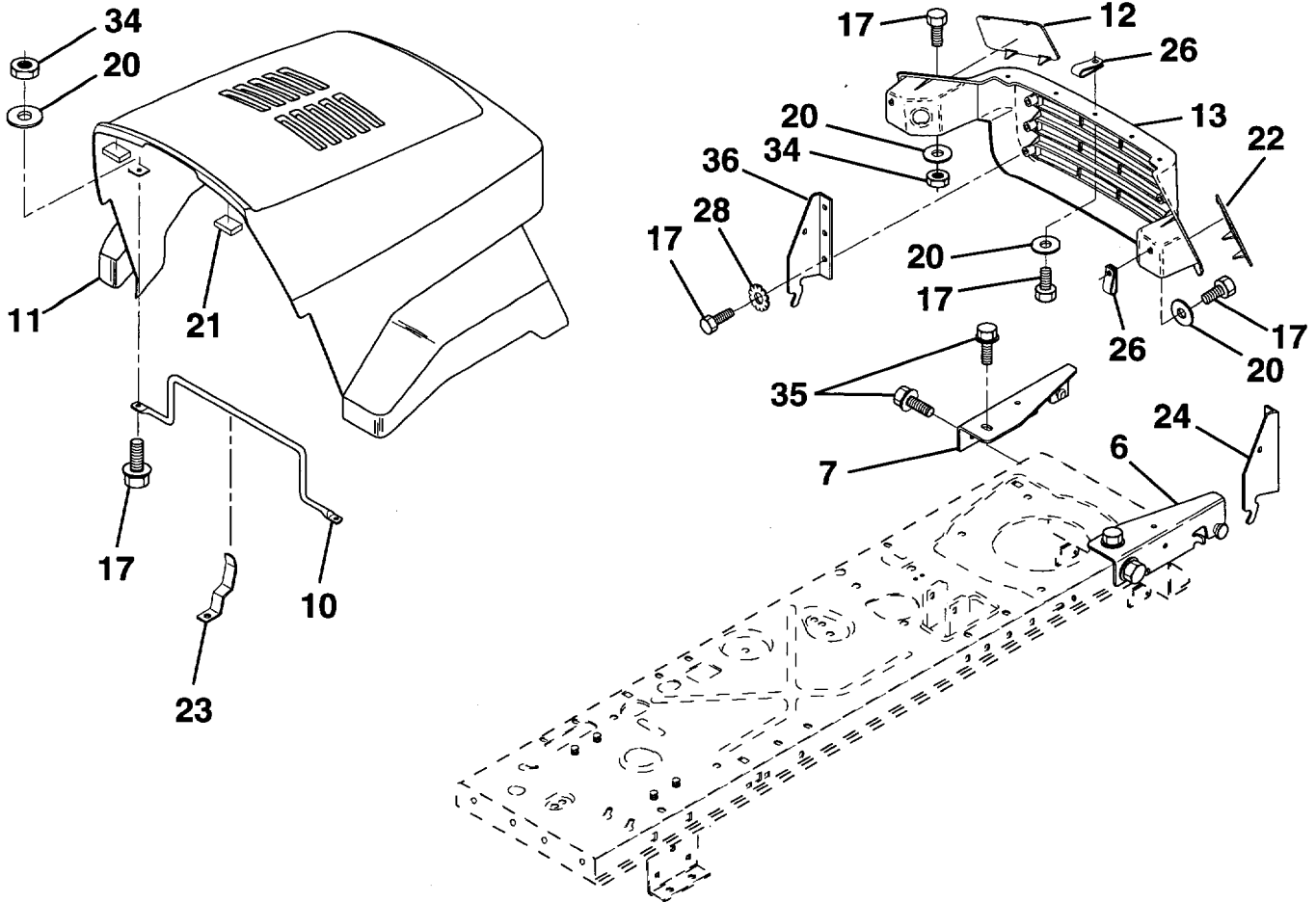
ILLUSTRATED PARTS BREAKDOWN

**HUSQVARNA
13 HP LAWN RIDER
MODEL NO. LTH130 (HE13H36B)
954 82 00-01**

REPAIR PARTS

TRACTOR - - MODEL NO. LTH130 (HE13H36B), PRODUCT NO. 954 82 00 -01

HOOD



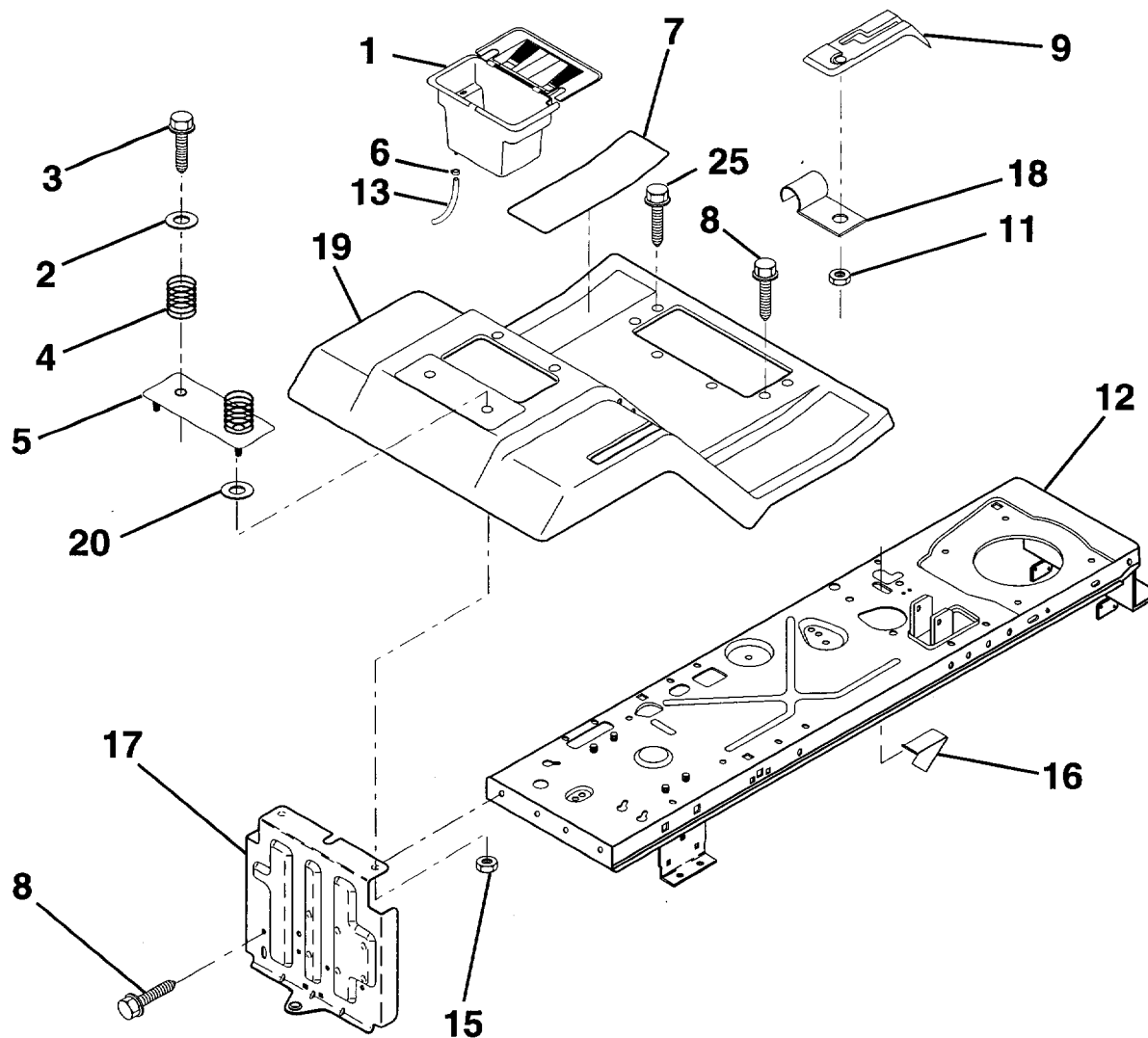
KEY NO.	PART NO.	DESCRIPTION
1	874 78 04-10	Bolt, Fin Hex 1/4-20 x 5/8
3	532 12 84-45	Bracket, Pivot Hood LH
4	819 09 10-16	Washer, Flat 1/4
5	817 49 05-12	Screw, Thdrol 5/16-28 x 3/4
6	532 14 00-51	Bracket, Asm. Pivot Hood RH
7	532 14 00-50	Bracket, Asm. Pivot Hood LH
8	873 68 04-00	Nut, Crownlock 1/4-20
10	532 13 08-50	Brace, Hood
11	532 14 01-42	Hood

KEY NO.	PART NO.	DESCRIPTION
12	532 13 09-86	Lens, LH
13	532 13 09-84	Grille
21	532 12 69-38	Bumper, Hood
22	532 13 09-85	Lens, RH
23	532 13 99-69	Latch, Hood
24	532 14 28-73	Bracket, Pivot Hood RH
26	532 05 29-21	Clip, Tinnerman
28	811 05 04-00	Washer, Lock, Ext. Tooth

HARDWARE SHOWN LARGER FOR EASIER IDENTIFICATION

REPAIR PARTS

TRACTOR -- MODEL NO. LTH130 (HE13H36B), PRODUCT NO. 954 82 00 -01
FENDER/CHASSIS



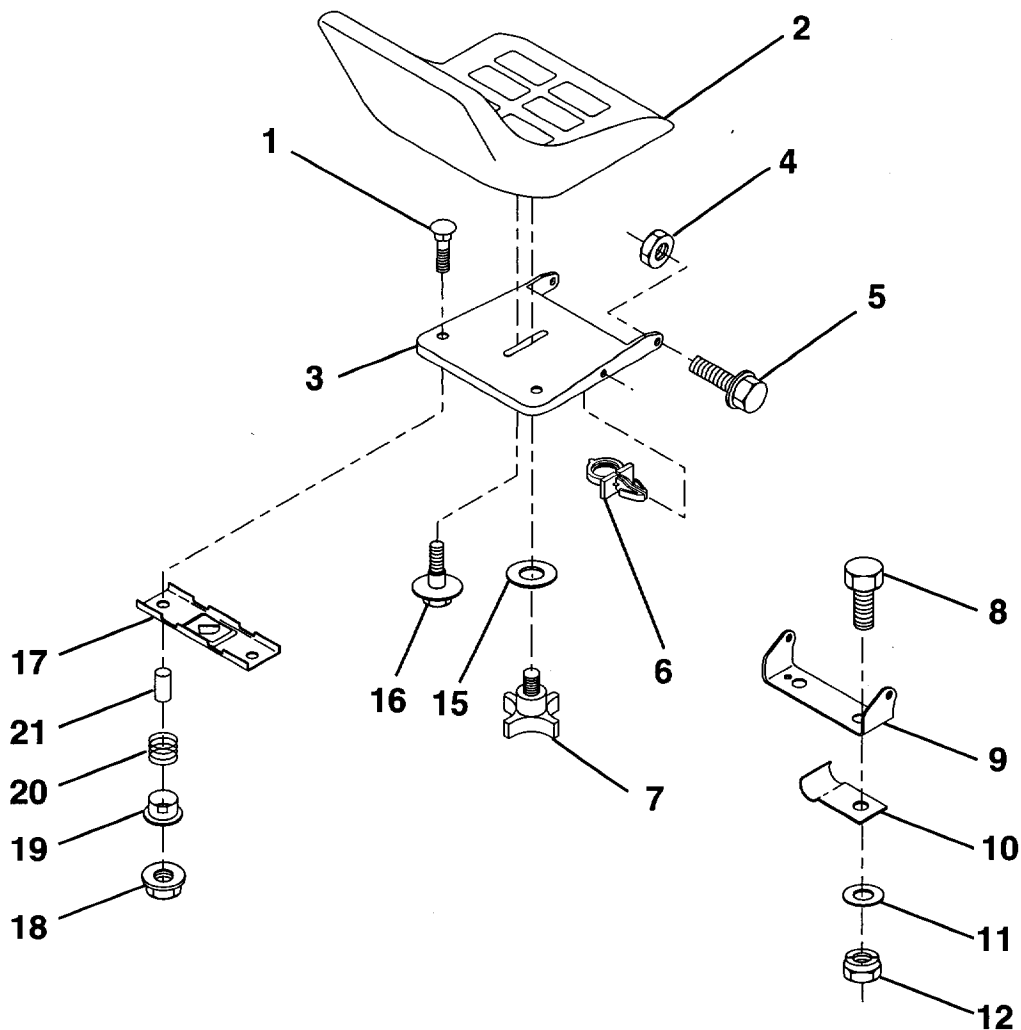
KEY PART NO. NO.	DESCRIPTION	KEY PART NO. NO.	DESCRIPTION
1	532 14 49-40 Case, Battery	11	532 12 43-46 Nut, Self-Threading, Wsher Hd 3/16
2	819 13 20-12 Washer 13/32 x 1-1/4 x 12 Ga.	12	532 14 51-90 Assembly, Frame
3	817 49 06-12 Screw, Hex Wsh. Thrdrol 3/8-16 x 3/4	13	532 10 92-38 Tube, Battery Drain
4	532 12 41-81 Spring, Compression, Seat	15	873 64 04-00 Nut, Keps 1/4-20 UNC
5	532 12 51-42 Plate, Asm. Battery	16	532 14 17-36 Switch, Actuator
6	532 10 95-96 Clamp, Hose	17	532 14 07-82 Drawbar
7	532 12 67-00 Pad, Footrest	18	532 12 64-70 Clip, Insulated
8	817 49 05-12 Screw, Thdrol 5/16-18 x 3/4	19	532 14 13-93 Fender/Footrest
9	532 14 09-19 Console, Shift Control	20	819 09 14-13 Washer 9/32 x 7/8 x 13 Ga.
		25	817 19 05-16 Screw, Hex. S.T. 5/16-18 UNC x 1

HARDWARE SHOWN LARGER FOR EASIER IDENTIFICATION

REPAIR PARTS

TRACTOR - - MODEL NO. LTH130 (HE13H36B), PRODUCT NO. 954 82 00 -01

SEAT



KEY NO.	PART NO.	DESCRIPTION
1	872 05 04-11	Bolt, Carriage 1/4-20 x 1 -3/8
2	532 14 08-38	Seat
3	532 14 05-52	Pan, Seat
4	873 80 05-00	Nut, Lock, Hex. w/Ins. 5/16-18
5	532 13 98-88	Bolt, Shoulder 5/16-18 UNC
6	532 14 50-06	Clip, Push-in, Hinged
7	532 12 00-68	Knob, Seat
8	874 76 06-16	Bolt, Fin. Hex. 3/8-16 UNC x 1
9	532 14 05-51	Bracket, Pivot Seat
10	532 12 64-71	Clip, Fuel Line

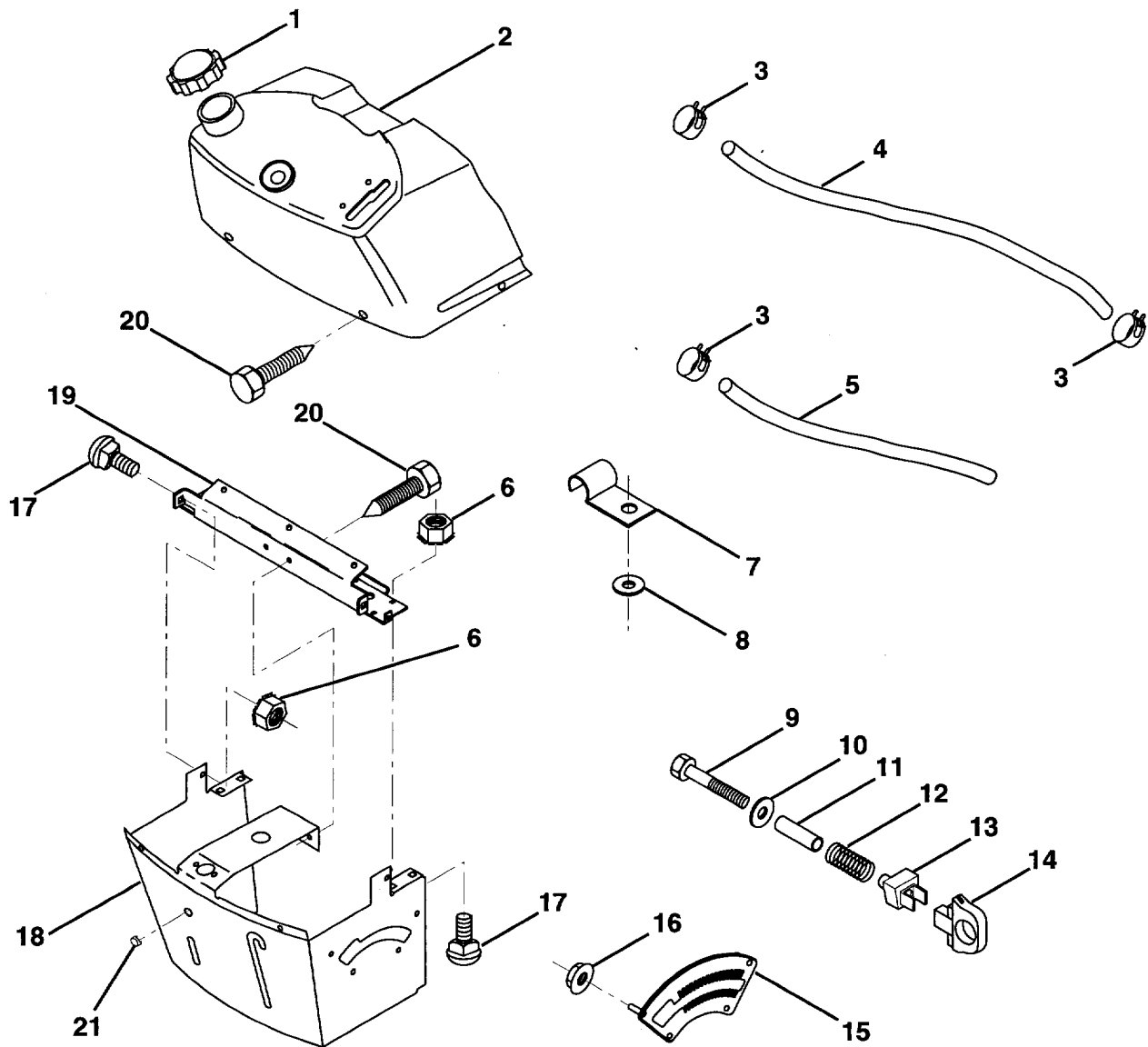
KEY NO.	PART NO.	DESCRIPTION
11	819 13 32-10	Washer 12/32 x 2 x 10 Ga.
12	873 80 06-00	Nut, Lock Hex w/Wsh 3/8-16
15	819 17 19-12	Washer, 17/32 x 1-3/16 x 12 Ga.
16	532 12 70-18	Bolt, Shoulder
17	532 12 12-46	Bracket, Switch Mounting
18	532 12 39-76	Nut, Lock, Hex. Large Flange
19	532 12 12-48	Bushing, Snap
20	532 12 12-50	Spring, Compression
21	532 13 43-00	Spacer, Split 28 Id. x .88 Lg.

HARDWARE SHOWN LARGER FOR EASIER IDENTIFICATION

REPAIR PARTS

TRACTOR -- MODEL NO. LTH130 (HE13H36B), PRODUCT NO. 954 82 00 -01

DASH



**KEY PART
NO. NO.**

DESCRIPTION

1	532 14 21-87	Cap, Fuel
2	532 13 83-95	Assembly, Dash & Fuel Tank
3	532 12 34-87	Clamp, Hose
4	532 00 85-44	Line, Fuel
5	532 00 85-48	Line, Fuel
6	873 64 04-00	Nut, Hex, Keps 1/4-20
7	532 12 49-96	Clip, Fuel Line
8	819 09 12-16	Washer 9/32 x 3/4 x 16 Ga.
9	874 76 04-28	Bolt, Hex, Fin 1/4-20 x 1-3/4
10	819 09 14-13	Washer 11/32 x 11/16 x 16 Ga.

**KEY PART
NO. NO.**

DESCRIPTION

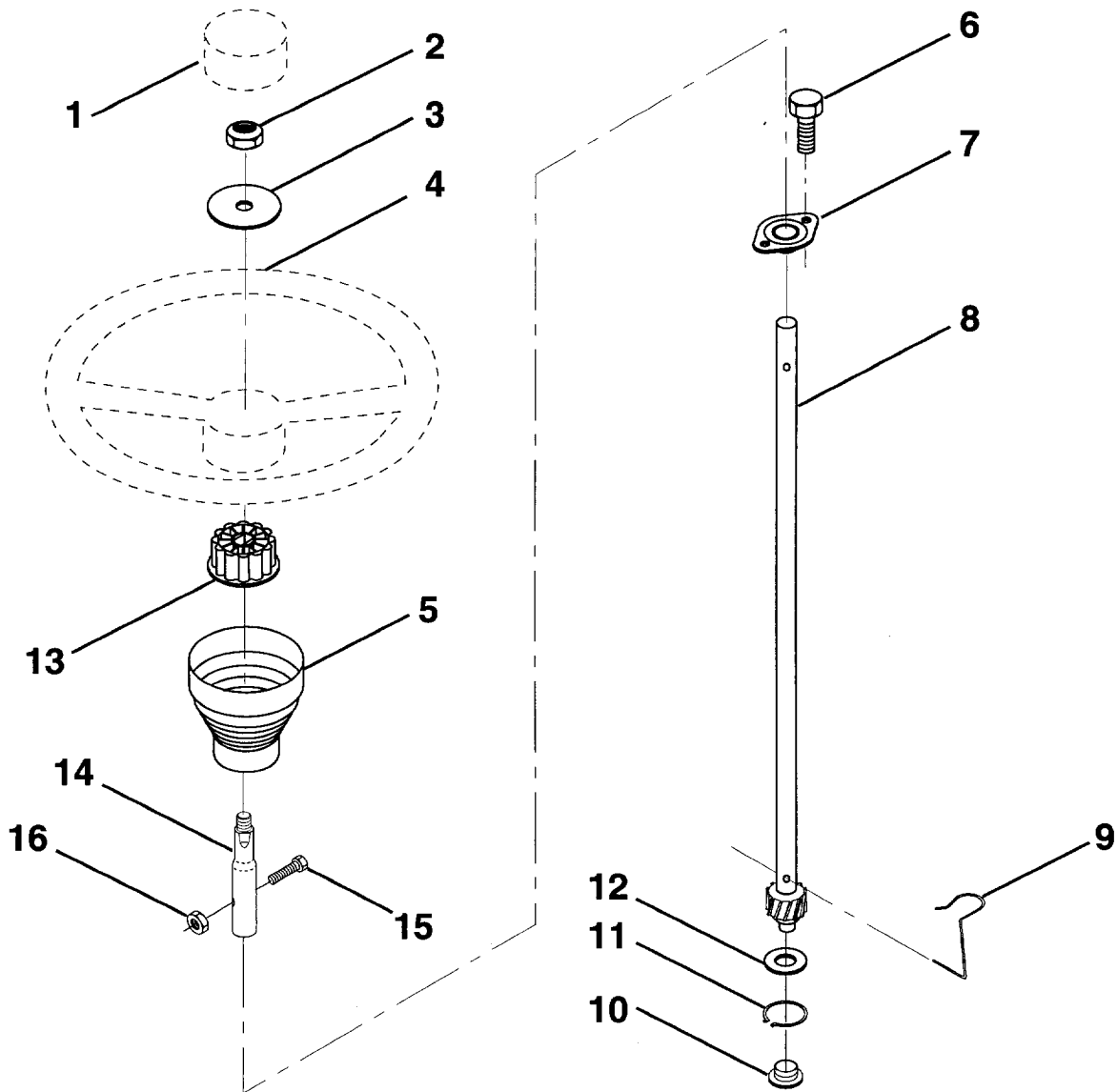
11	532 12 12-49	Spacer, Split
12	532 00 37-20	Spring
13	532 12 64-50	Clip, Height Adjustment
14	532 12 61-15	Knob, Height Stop
15	532 12 20-23	Adjustment, Quadrant Height
16	532 12 43-46	Nut, Self-Threading 3/16-18
17	872 11 04-04	Bolt, Carriage 1/4-20 x 1/2 Gr. 5
18	532 13 07-45	Support, Assembly Dash
19	532 13 47-44	Brace, Cross
20	817 06 04-08	Screw, Self-Tapping 1/4-20 x 1/2
21	532 13 40-14	Plug, Dome, Black

HARDWARE SHOWN LARGER FOR EASIER IDENTIFICATION

REPAIR PARTS

TRACTOR -- MODEL NO. LTH130 (HE13H36B), PRODUCT NO. 954 82 00 -01

STEERING WHEEL



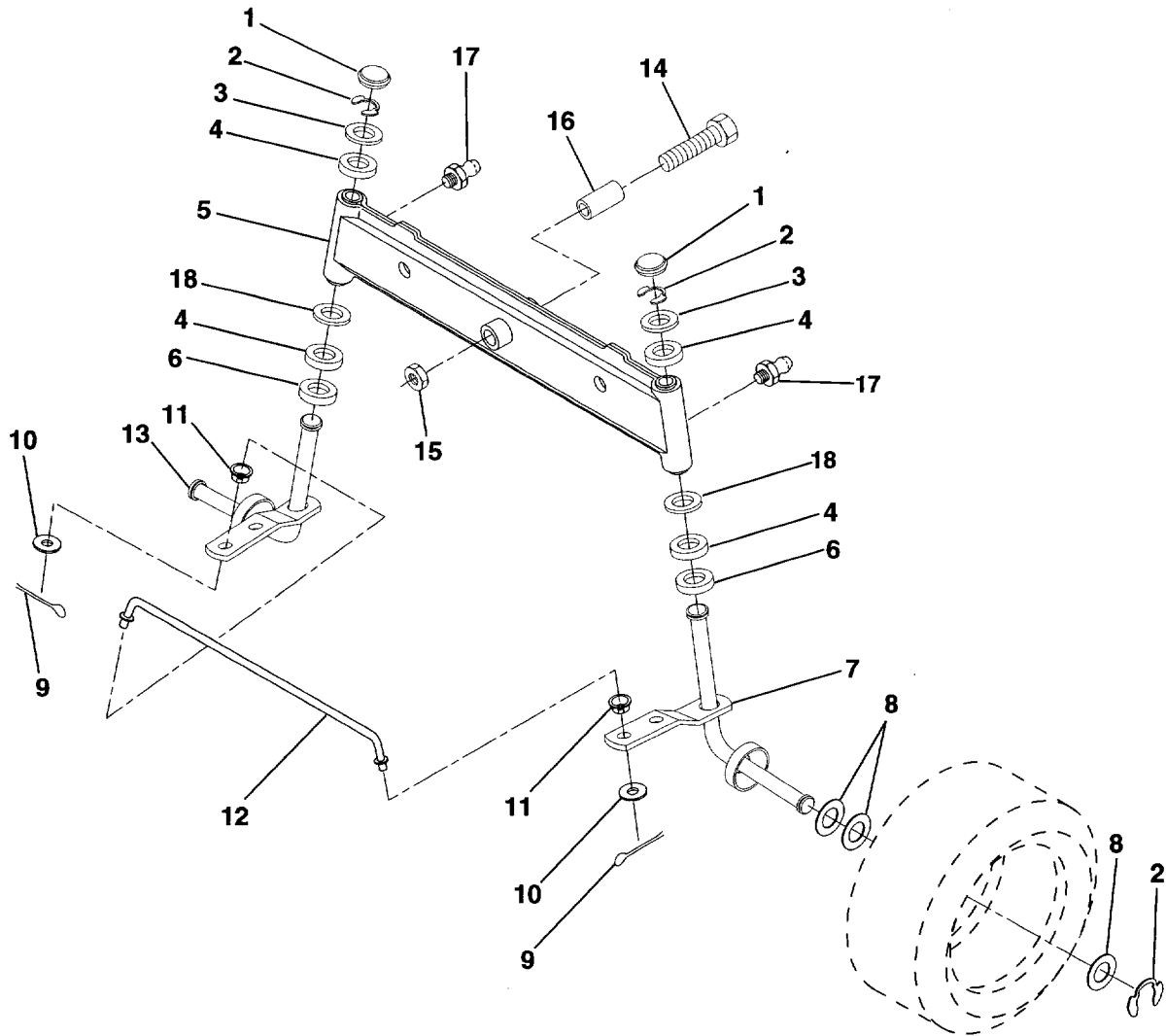
KEY NO.	PART NO.	DESCRIPTION
1	532 12 44-16	Insert, Wheel, Steering
2	532 12 47-01	Nut, Lock 3/8-24 UNF
3	819 13 38-08	Washer 12/32 x 2-3/8 x 8 Ga.
4	532 12 44-15	Wheel, Steering
5	532 12 73-96	Sleeve, Steering
6	817 43 10-08	Screw, Hex #10-16 x 1/2 TY-B
7	532 10 28-03	Bushing, Steering
8	532 14 73-91	Shaft, Steering
9	532 12 42-10	Clip, Steering

KEY NO.	PART NO.	DESCRIPTION
10	532 12 34-38	Bushing, Lower, Steering
11	812 00 00-45	Ring Retaining
12	819 21 16-16	Washer 21/32 x 1 x 16 Ga.
13	532 10 48-20	Adaptor, Wheel, Steering
14	532 14 73-92	Extension Shaft Steering
15	874 78 05-20	Bolt, Fin Hex 5/116-18 UNC x 1 -1 /4
16	873 80 05-00	Nut Lock Hex w/Ins 5/16-18 UNC

HARDWARE SHOWN LARGER FOR EASIER IDENTIFICATION

REPAIR PARTS

TRACTOR -- MODEL NO. LTH130 (HE13H36B), PRODUCT NO. 954 82 00 -01
FRONT AXLE

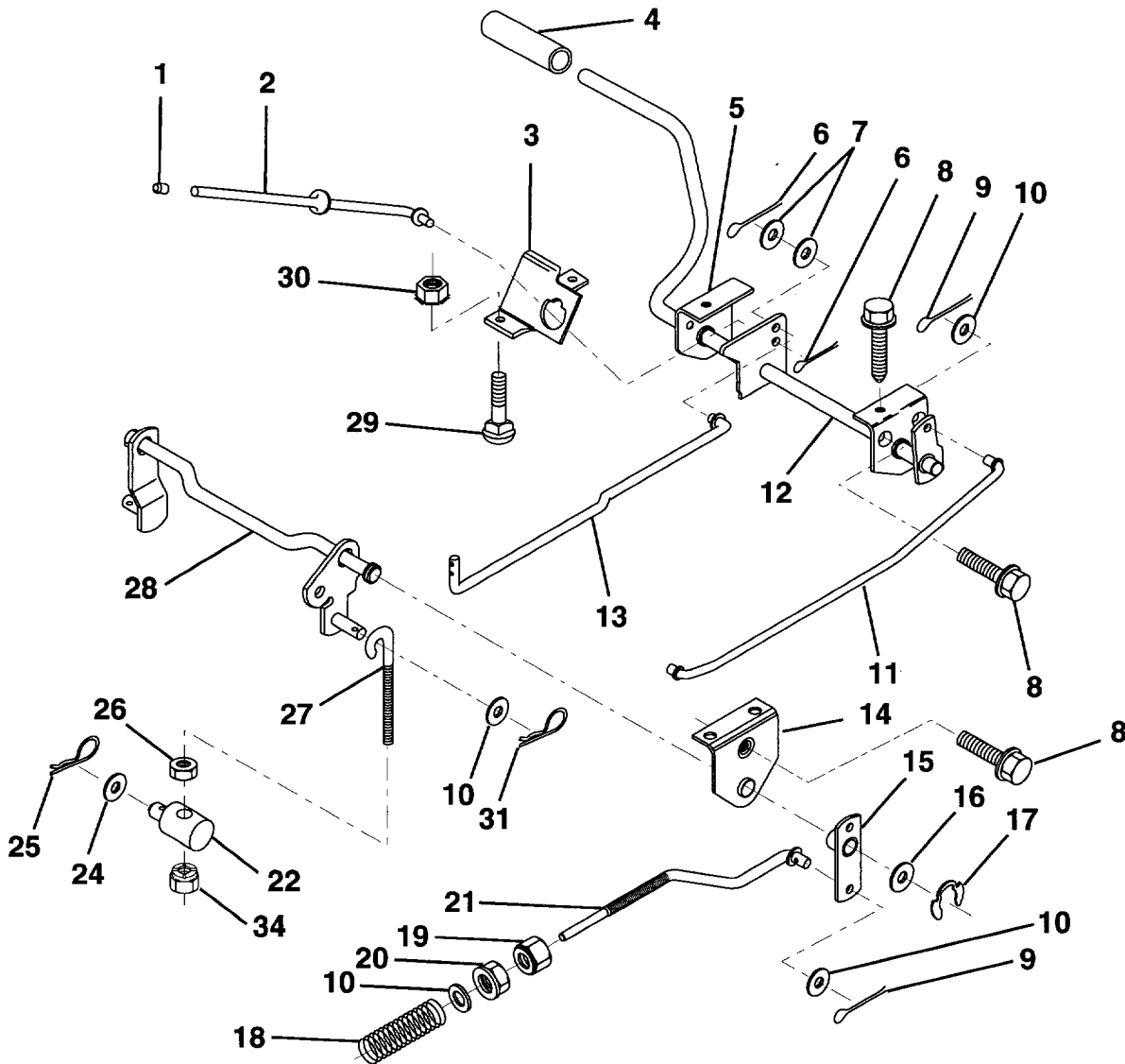


KEY NO.	PART NO.	DESCRIPTION	KEY NO.	PART NO.	DESCRIPTION
1	532 12 12-32	Cap, Spindle	10	819 13 13-16	Washer 13/32 x 13/16 x 16 Ga.
2	812 00 00-29	Ring, Clip	11	532 12 68-47	Bushing
3	532 12 17-48	Washer 25/32 x 1-5/8 x 16 Ga.	12	532 13 04-65	Rod, Tie
4	532 12 49-37	Nyliner	13	532 13 70-61	Spindle, L.H. Asm.
5	532 14 20-33	Axle, Front	14	874 01 10-56	Bolt Hex 5/1-11 x 3-1/2
6	532 12 49-31	Bearing, Thrust	15	873 90 10-00	Nut, Lock Flange 5/8-11
7	532 13 70-62	Spindle, R.H. Asm.	16	532 11 04-38	Spacer Bearing Axle
8	532 12 17-49	Washer 25/32 x 1-1/4x16 Ga.	17	532 12 48-36	Fitting Grease
9	876 02 04-12	Pin, Cotter 1/8 x 3/4	18	819 27 20-16	Washer 27/32 x 1-1/4 x 16 Ga.

HARDWARE SHOWN LARGER FOR EASIER IDENTIFICATION

REPAIR PARTS

TRACTOR -- MODEL NO. LTH130 (HE13H36B), PRODUCT NO. 954 82 00 -01
BRAKE / REAR MOWER LIFT ASSEMBLY

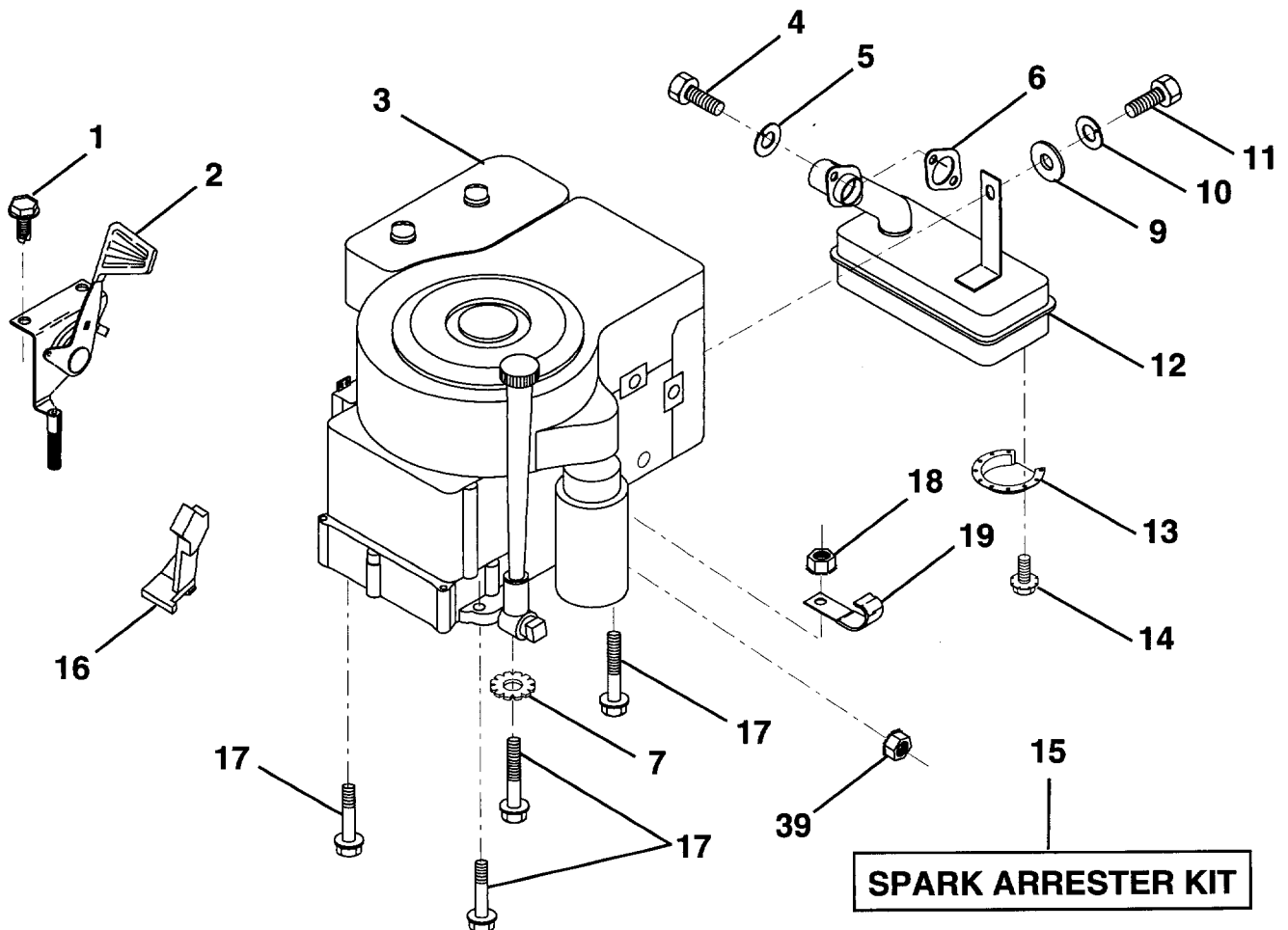


KEY NO.	PART NO.	DESCRIPTION	KEY NO.	PART NO.	DESCRIPTION
1	532 07 16-73	Cap, Plunger	16	819 25 18-16	Washer 25/32 x 1-1/8 x 16 Ga.
2	532 12 34-36	Rod, Parking Brake	17	812 00 00-34	Ring, Klip
3	532 12 34-37	Bracket, Parking Brake	18	532 15 13-32	Spring, Brake Rod
4	532 00 81-56	Cover, Pedal	19	873 35 06-00	Nut, Hex, Jam 3/8-16 UNC
5	532 12 25-04	Bracket, Clutch/Brake Pedal, L.H.	20	873 80 06-00	Nut Lock Hex w/Ins. 3/18-16 UNC
6	876 02 03-12	Pin, Cotter 3/32 x 3/4	21	532 14 44-13	Rod, Brake
7	819 13 10-16	Washer 13/32 x 5/8 x 16 Ga.	22	532 14 45-85	Trunnion, Lift
8	817 49 05-08	Screw, Hex. Thdrol. 5/16-18 x 1/2	24	819 13 20-12	Washer 13/32 x 1-1/4 x 12 Ga.
9	876 02 04-12	Pin, Cotter 1/8x3/4	25	532 12 49-61	Retainer, Spring
10	819 13 13-16	Washer 13/32 x 13/16 x 16 Ga.	26	873 93 06-00	Nut, Centerlock 3/8-16 UNC
11	532 12 35-43	Rod, Brake, Front	27	532 12 73-69	Link, Threaded
12	532 13 99-33	Assembly, Clutch/Brake	28	532 14 07-76	Assembly, Rear Mower Lift
13	532 12 33-94	Rod, Clutch	29	872 11 05-06	Bolt, Carriage 5/16-18 UNC x 3/4
14	532 12 19-78	Bracket, Lift Shaft	30	873 51 05-00	Nut, Keps 5/16-16 UNC
15	532 13 33-32	Assembly, Brake Pivot Arm	31	532 12 46-60	Retainer, Spring, Zinc
			34	873 68 06-00	Nut, Crownlock 3/16-18

HARDWARE SHOWN LARGER FOR EASIER IDENTIFICATION

REPAIR PARTS

TRACTOR -- MODEL NO. LTH130 (HE13H36B), PRODUCT NO. 954 82 00 -01
ENGINE

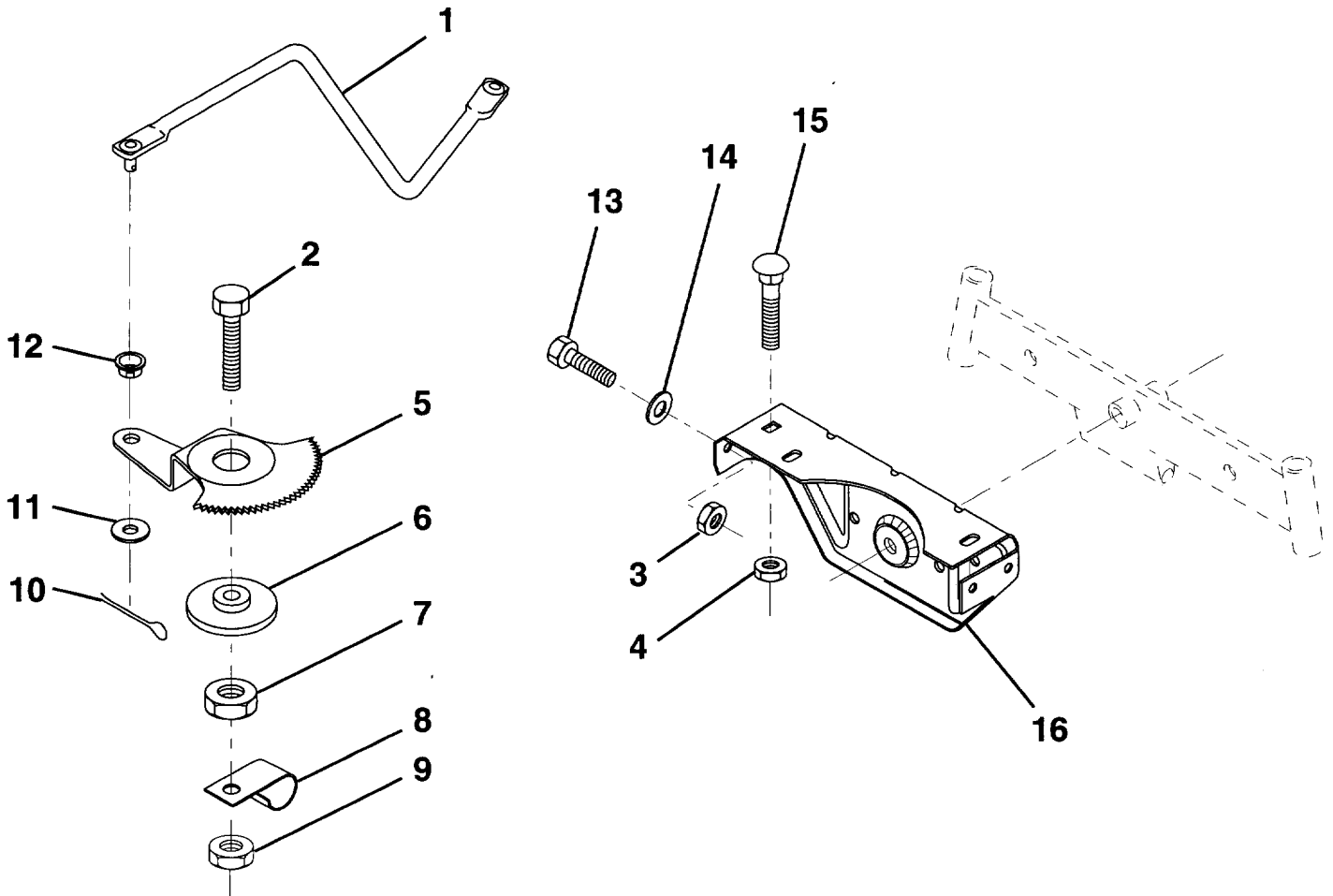


KEY NO.	PART NO.	DESCRIPTION	KEY NO.	PART NO.	DESCRIPTION
1	817 06 04-08	Screw, Hex Thd. Cut 1/4-20 x 1/2	11	-----	Screw (Order from Engine Mfg.)
2	532 13 30-25	Control, Throttle	12	532 13 74-37	Muffler
3	-----	Engine, B&S, Model No. 28M707	13	532 10 13-26	Deflector, Muffler
4	871 07 05-12	Screw, Hex. Hd. Cap 5/16- 18 x 3/4	14	817 03 08-08	Screw, Spiderloc, Hex Hd. #8 x 1/2
5	810 04 05-00	Washer, Lock, Heavy Helical Spring 5/16	15	532 13 71-80	Arrester, Spark (Optional equipment)
6	532 27 22-93	Gasket, Exhaust	16	532 12 79-51	Stop, Throttle
7	811 05 06-00	Washer, Lock Ext. Tooth 3/8	17	817 49 06-24	Screw, Hex Washer Head, Thdrol. 3/8-16 x 1-1/2
9	819 10 12-16	Washer 5/16 x 3/4 x 16	18	873 51 06-00	Nut, Keps Hex 3/8-16 UNC
10	810 04 04-00	Washer, Lock, Heavy Helical Spring 1/4	19	532 12 49-96	Clip, Fuel Line
			39	532 12 88-61	Nut, Flange 1/4-20

HARDWARE SHOWN LARGER FOR EASIER IDENTIFICATION

REPAIR PARTS

TRACTOR -- MODEL NO. LTH130 (HE13H36B), PRODUCT NO. 954 82 00 -01
 SECTOR GEAR/AXLE SUPPORT



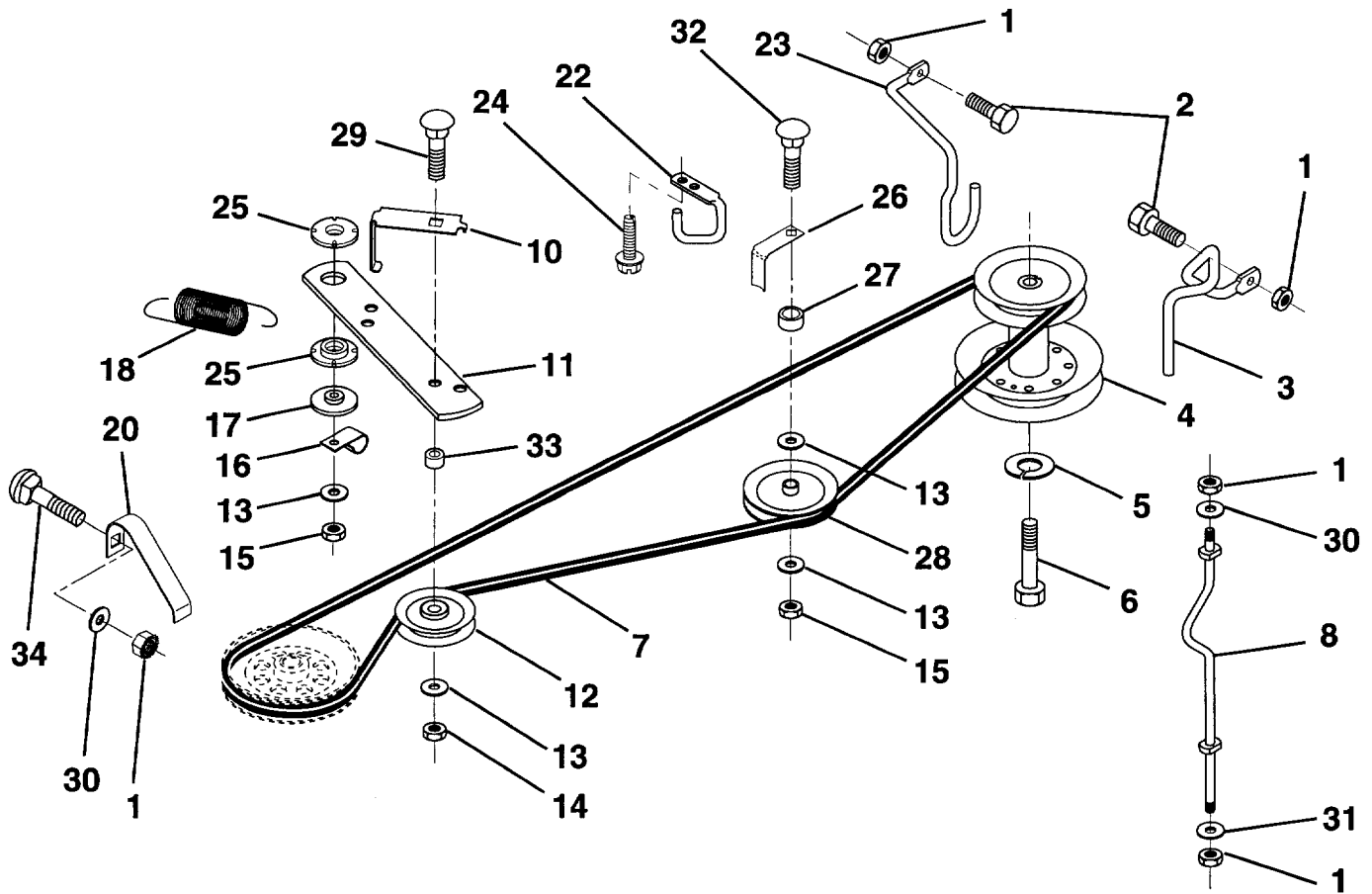
KEY NO.	PART NO.	DESCRIPTION
1	532 13 25-66	Link, Drag
2	874 78 08-28	Bolt, Fin Hex 1/2-13 x 1-3/4
3	873 68 05-00	Nut, Crownlock 5/16-18
4	873 68 06-00	Nut, Crownlock 3/8-16
5	532 12 19-26	Gear Sector
6	532 12 19-27	Bushing
7	873 03 08-00	Nut, Heavy Hex Top Lock 1/2-13 UNC
8	532 12 64-72	Clip, Insulated

KEY NO.	PART NO.	DESCRIPTION
9	873 68 08-00	Nut, Crownlock 3/8-16
10	876 02 04-12	Pin, Cotter 1/8 x 3/4
11	819 13 13-16	Washer, 13/32 x 13/16 x 16 Ga.
12	532 12 68-47	Bushing
13	874 76 05-12	Bolt, Hex Hd. 5/16-18 UNC x 3/4
14	819 11 14-16	Washer 11/32 x 7/8 x 16 Ga.
15	872 11 06-06	Bolt, Carriage 3/8-16 UNC x 3/4
16	532 13 70-96	Support, Front Axle

HARDWARE SHOWN LARGER FOR EASIER IDENTIFICATION

REPAIR PARTS

TRACTOR -- MODEL NO. LTH130 (HE13H36B), PRODUCT NO. 954 82 00 -01
GROUND DRIVE



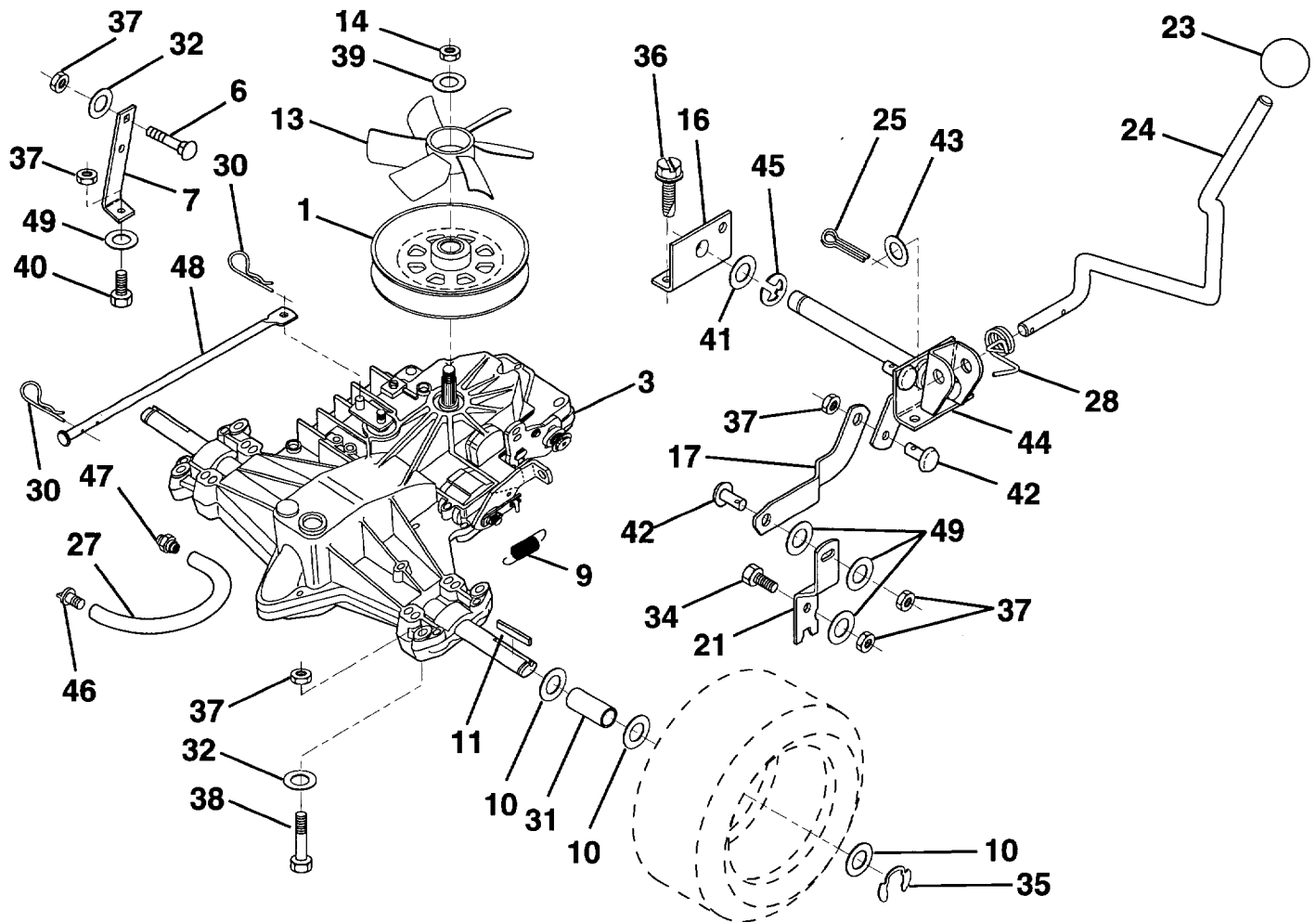
KEY NO.	PART NO.	DESCRIPTION	KEY NO.	PART NO.	DESCRIPTION
1	873 80 05-00	Nut, Lock, Hex. w/Ins. 5/16-18	17	532 15 09-32	Spacer, Retainer
2	874 76 05-12	Bolt, Hex. Hd 5/16-18 x 3/4	18	532 13 14-59	Spring, Extension
3	532 14 12-97	Keeper, Belt, Mower Drive, R. H.	20	532 14 09-09	Keeper, Belt, L.H.
4	532 13 80-29	Pulley, Engine	22	532 12 34-04	Keeper, Belt, Frame, Ground Drive
5	810 04 07-00	Washer, Lock 7/16	23	532 14 09-16	Keeper, Belt, Front, L. H.
6	871 17 07-44	Bolt, Hex., 7/16-20 Gr.5	24	817 72 04-08	Screw, Thd. Cut 1/4-20 x1/2
7	532 14 09-10	Traction, V-Belt Drive	25	532 15 09-35	Bushing, Nylon
8	532 14 07-85	Keeper, Belt, R.H. Hydro	26	532 14 09-13	Keeper, Belt
10	532 14 07-80	Keeper Belt, Ground Drive, Idler	27	532 14 09-14	Spacer
11	532 15 09-26	Arm, Ground Drive Clutch	28	532 13 91-23	Pulley, V-Idler
12	532 12 36-74	Idler, Flat	29	872 14 06-18	Bolt, Carr. 3/8-16 UNC x 2-1/4
13	819 13 13-16	Washer 13/32 x 13/16 x 16 Ga.	30	819 11 11-16	Washer
14	873 93 06-00	Nut, Centerlock 3/8-16 UNC	31	819 11 12-16	Washer
15	873 68 06-00	Nut, Lock, Hex. w/Wsh 3/8-16	32	872 14 06-20	Bolt, Carriage
16	532 12 64-71	Clip, Insulated	33	532 00 01-60	Sleeve, Pivot
			34	872 14 05-06	Bolt, Carriage

HARDWARE SHOWN LARGER FOR EASIER IDENTIFICATION

REPAIR PARTS

TRACTOR -- MODEL NO. LTH130 (HE13H36B), PRODUCT NO. 954 82 00 -01

TRANSAXLE



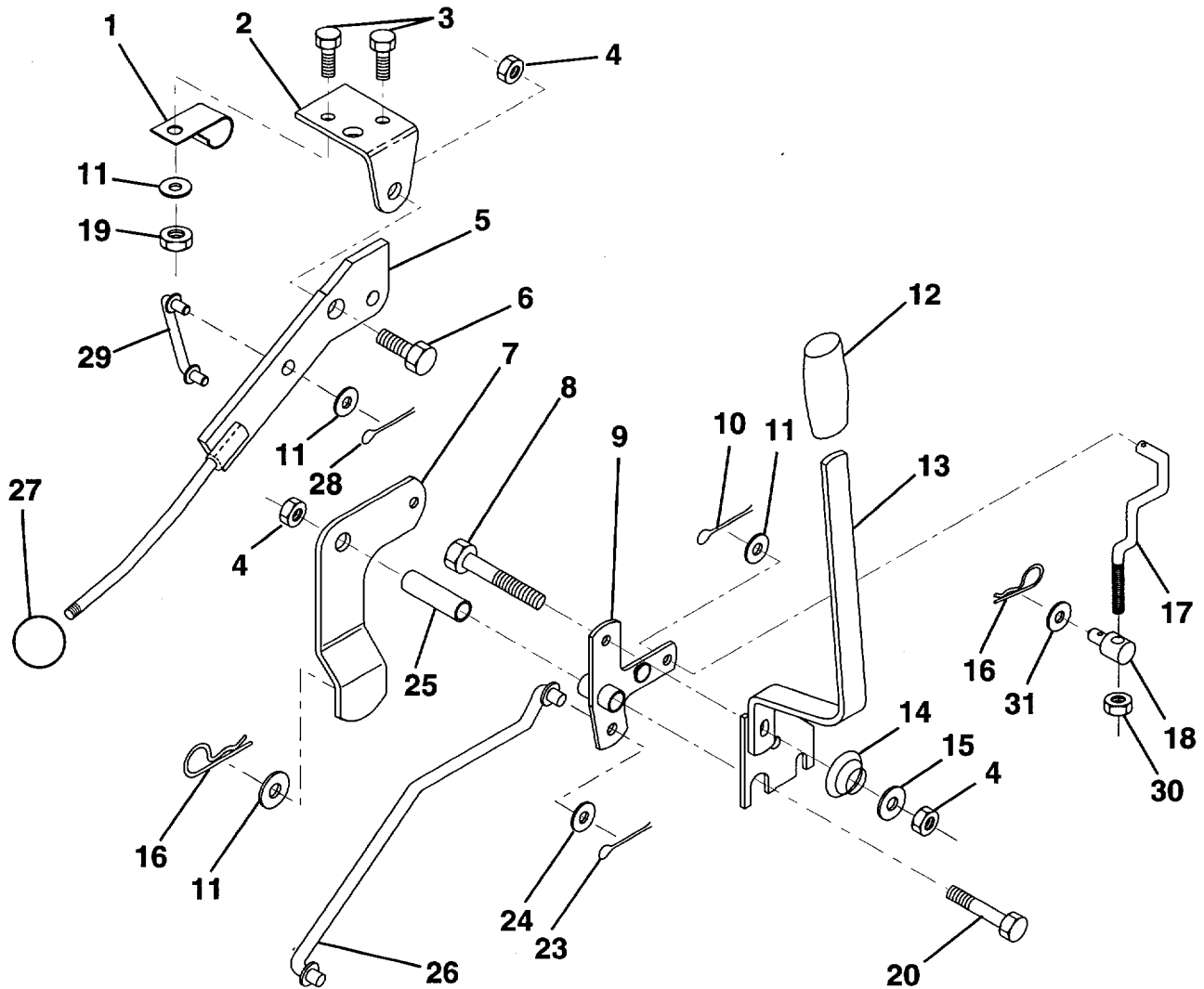
KEY PART NO.	PART NO.	DESCRIPTION
1	532 14 07-79	Pulley, V-Groove
3	532 14 06-07	Transaxle, Hydro 0310-0500
6	872 14 05-06	Bolt, Carriage
7	532 14 07-74	Strap, Torque
9	532 14 66-82	Spring, Brake
10	532 12 17-49	Washer 25/32 x 1-1/4 x 16 Gauge
11	532 12 35-83	Key, Square
13	532 14 07-78	Fan, Transaxle, Hydro
14	532 00 92-04	Nut
16	532 14 07-63	Support, Shift Handle
17	532 14 07-67	Link, Shift
21	532 14 07-73	Lever, Shift
23	532 12 12-74	Knob, Shifter
24	532 14 07-65	Rod, Shifter
25	876 02 04-16	Pin, Cotter
27	532 14 25-64	Hose, Vent
28	532 14 07-72	Spring, Torsion
30	532 12 47-88	Retainer, Spring

KEY PART NO.	PART NO.	DESCRIPTION
31	532 12 11-99	Spacer
32	819 11 11-16	Washer
34	874 76 05-16	Bolt, Rdhd 5/16-18 x 1
35	812 00 00-01	E-Ring
36	817 72 04-08	Screw, Thd. Cut 1/4-20 x 1/2
37	873 80 05-00	Nut
38	874 49 05-44	Bolt, Hex Flghd 5/16-18
39	819 17 19-12	Washer
40	874 76 05-24	Bolt
41	819 21 20-13	Washer 21/32 x 1 -1/4 x 13 Gauge
42	532 14 07-69	Pin, Pivot
43	819 17 12-16	Washer
44	532 14 07-64	Pivot Shaft Assembly
45	812 00 00-02	E-Ring
46	532 14 29-17	Cap, Vent Hose
47	532 14 29-18	Nipple, Vent Hose
48	532 14 09-12	Actuator, Bypass, Hydro
49	819 11 12-16	Washer

HARDWARE SHOWN LARGER FOR EASIER IDENTIFICATION

REPAIR PARTS

TRACTOR -- MODEL NO. LTH130 (HE13H36B), PRODUCT NO. 954 82 00 -01
MOWER LIFT LEVER



KEY PART NO. NO.

DESCRIPTION

1	532 12 64-70	Clip, Insulated
2	532 12 20-18	Bracket, Mower Clutch
3	871 11 04-08	Bolt, Fin. Hex 1/4-20 UNC x 1/2
4	873 68 06-00	Nut, Crownlock 3/8-16
5	532 14 51-87	Assembly, Clutch Lever
6	532 10 64-51	Bolt, Shoulder
7	532 13 53-71	Assembly, Mower Clutch Arm
8	874 76 06-36	Bolt, Hex 3/8-16 UNC x 2-1/4
9	532 12 19-30	Assembly, Bellcrank Lift
10	876 02 04-12	Pin, Cotter 1/8 x 3/4
11	819 13 13-16	Washer 13/32 x 13/16 x 16 Ga.
12	532 12 20-27	Grip, Handle
13	532 13 93-52	Assembly, Lift Handle
14	532 12 34-96	Spring, Compression
15	819 13 12-12	Washer 13/32 x 3/4 x 12 Ga.

KEY PART NO. NO.

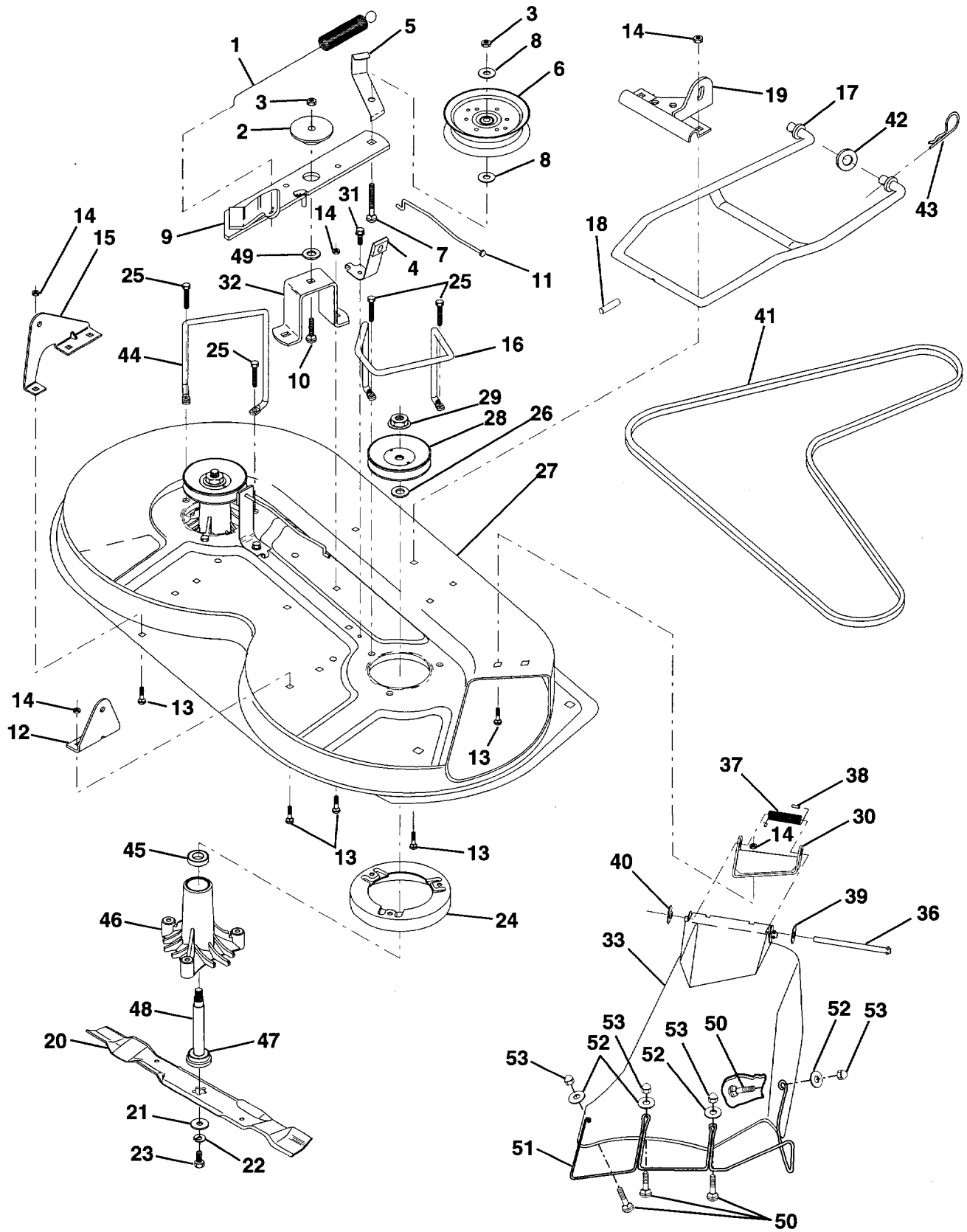
DESCRIPTION

16	532 12 49-61	Retainer, Spring
17	532 12 73-59	Link, Front Lift
18	532 14 20-28	Trunnion, Threaded 3/8-16
19	873 68 04-00	Nut, Crownlock 1/4-20
20	874 76 06-44	Bolt, Fin. Hex 3/8-16 UNC x 2-3/4
23	876 02 04-16	Pin, Cotter 1/8 x 1
24	819 17 16-12	Washer 17/32 x 1 x 12 Ga.
25	532 12 19-33	Tube, Spacer
26	532 14 14-70	Rod, Mower Lift
27	532 12 14-66	Knob
28	876 02 03-12	Pin, Cotter 3/32 x 3/4
29	532 13 16-55	Link, Mower Clutch
30	873 35 06-00	Nut, Hex Jam 3/8-16 x 1.30
31	819 13 20-12	Washer 13/32 x 1-1/4 x 12 Ga.

HARDWARE SHOWN LARGER FOR EASIER IDENTIFICATION

REPAIR PARTS

TRACTOR -- MODEL NO. LTH130 (HE13H36B), PRODUCT NO. 954 82 00 -01
MOWER DECK



REPAIR PARTS

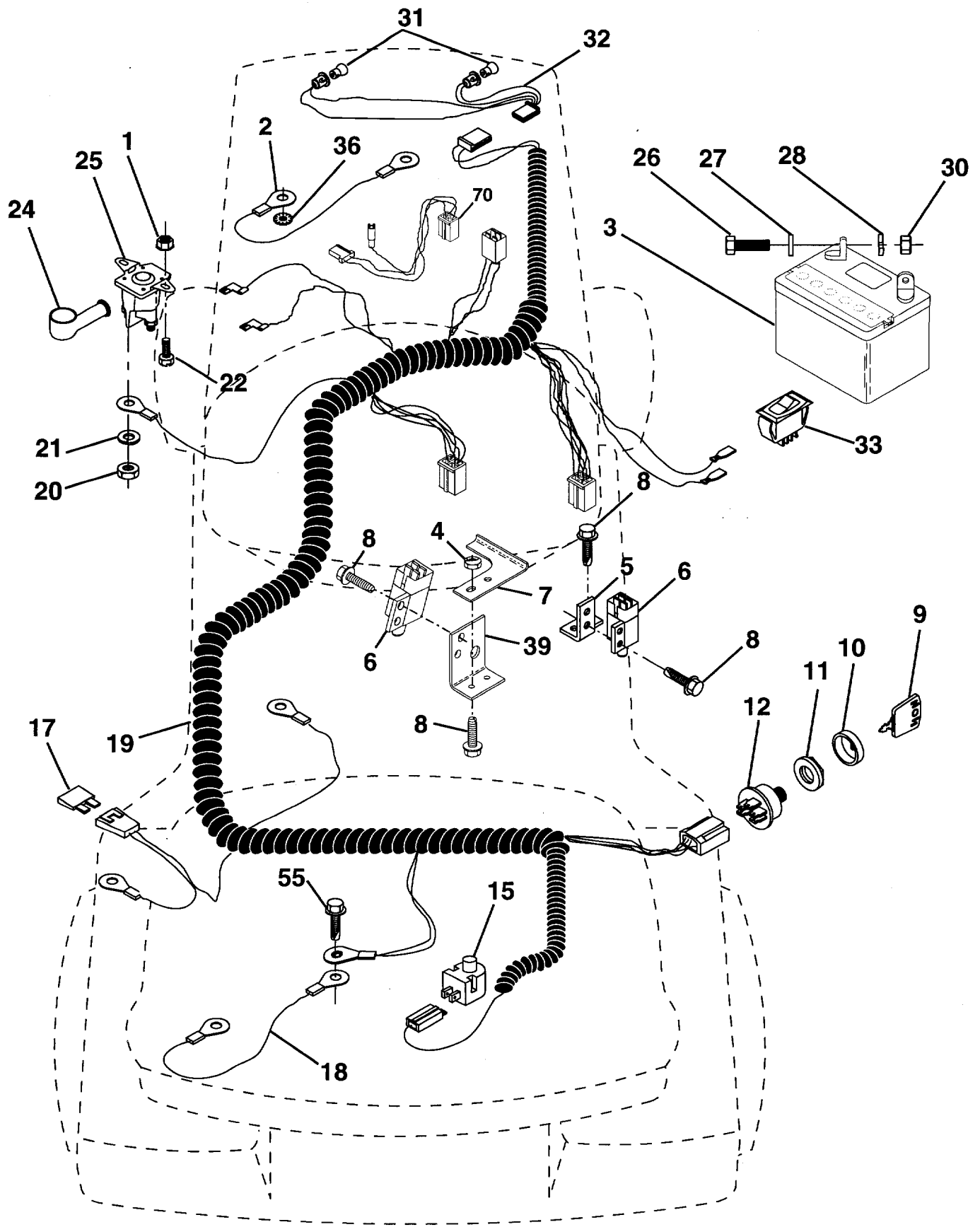
TRACTOR - - MODEL NO. LTH130 (HE13H36B), PRODUCT NO. 954 82 00-01
MOWER DECK

KEY NO.	PART NO.	DESCRIPTION
1	532 14 00-64	Spring, Mower Clutch
2	532 12 20-52	Spacer, Retainer
3	873 68 06-00	Nut, Crownlock 3/8-16
4	532 13 08-40	Brake Asm.
5	532 13 12-51	Guide, Belt Idler
6	532 12 13-16	Pulley, Flat Idler
7	872 11 06-16	Bolt, Carr. 3/8-16 x 1 -3/4 Gr. 5
8	819 13 14-10	Washer 13/21 x 7/8 x 10 Ga.
9	532 12 77-44	Arm Asm., Idler Mower
10	872 14 06-10	Bolt, Carriage 3/8-16 x 1 -1 /4
11	532 13 08-41	Rod, Brake
12	532 12 73-56	Bracket, Lift R. H. Rear
13	872 14 05-06	Bolt, Carriage 5/16-18 x 3/4
14	873 68 05-00	Nut, Crownlock 5/16-18
15	532 12 73-57	Bracket, Lift L. H. Rear
16	532 14 06-09	Keeper, R. H.
17	532 12 85-08	Link, Asm. Mower Stabilizer
18	532 12 85-11	Pin, Drive
19	532 12 73-80	Bracket, Asm. Front
20	532 13 84-96	Blade Hi Lift
21	532 14 02-96	Washer, Hard
22	810 03 06-00	Washer, Lock 3/8
23	532 85 08-57	Bolt 3/8-24 x 1-1/4 Gr. 8
24	532 14 03-29	Stripper
25	532 13 87-76	Screw Thdrol Hex Hd
26	532 12 99-63	Washer .150 Thk.
27	532 12 99-83	Deck Assembly
28	532 12 92-07	Pulley, Mandrel
29	532 13 72-66	Nut, Flangelock 9/16
30	532 13 66-31	Bracket, Asm. Deflector
31	817 49 05-08	Screw, Hex Wsh. Thdrol. 5/16-18 x 1/2
32	532 12 20-51	Arm, Support Idler Mower
33	532 13 90-83	Deflector
36	532 12 19-80	Rod, Hinge
37	532 12 37-13	Spring, Torsion Deflector
38	532 10 53-04	Cap, Sleeve
39	819 11 10-16	Washer 11/32 x 5/8 x 16 Ga.
40	532 11 04-52	Pushnut
41	532 13 12-64	V-Belt
42	819 17 16-16	Washer 11/32 x 5/8 16 Ga.
43	532 12 46-60	Retainer, Spring
44	532 14 06-08	Keeper, L. H.
45	532 11 04-85	Bearing
46	532 12 87-74	Housing Mandrel Vented
47	532 12 98-95	Bearing
48	532 13 76-45	Shaft, Mandrel (Includes Key # 47)
49	532 13 39-43	Washer Hardened
50	871 16 10-10	Screw Truss Head Phil #10-24 x 5/8
51	532 13 63-83	Guard, Deflector, Mower TUV
52	819 07 07-18	Washer 7/32 x 7/16 x 18
53	532 06 08-67	Nut, Acorn Hex # 10-24
--	532 13 07-94	Mandrel Asm. (Includes Key No.'s 22-23, 26, 29 and 45-48)
--	532 14 49-73	Deck, Mower Complete

HARDWARE SHOWN LARGER FOR EASIER IDENTIFICATION

REPAIR PARTS

TRACTOR -- MODEL NO. LTH130 (HE13H36B), PRODUCT NO. 954 82 00-01
ELECTRICAL



REPAIR PARTS

TRACTOR - - MODEL NO. LTH130 (HE13H36B), PRODUCT NO. 954 82 00-01

ELECTRICAL

KEY NO.	PART NO.	DESCRIPTION
1	873 64 04-00	Nut, Hex, Keps 1/4-20
2	532 10 84-23	Assembly, Cable
3	532 14 49-24	Battery
4	532 06 91-80	Nut Lock #10-24 UNC
5	532 10 82-36	Bracket, Switch
6	532 10 95-53	Switch, Interlock, 4 Terminal
7	532 14 63-74	Keeper Actuator
8	817 02 10-08	Screw Hex Head, Tapping # 10-24 x 1/2
9	532 14 04-01	Key, Steel Delta
10	532 14 12-26	Cover, Ignition Key
11	532 14 04-00	Nut, Ignition
12	532 14 49-21	Switch, Ignition
15	532 12 13-05	Switch, Plunger
17	532 10 88-24	Fuse
18	532 12 83-53	Assembly, Cable
19	532 14 60-64	Harness, Ignition
20	873 35 04-00	Nut, Hex, Jam 1/4-20
21	810 09 04-00	Washer, Lock 1/4
22	871 11 04-08	Bolt, Hex, Fin. 1/4-20 UNC x 1/2 Grade 5
24	532 13 15-63	Cover, Terminal
25	532 14 57-63	Solenoid
26	874 76 04-12	Bolt, Hex Head 1/4-20 UNC x 3/4
27	819 09 10-16	Washer 9/32 x 5/8 x 16 Gauge
28	810 04 04-00	Washer, Lock 1/4
30	873 22 04-00	Nut, Hex Fin. 1/4-20 UNC
31	532 00 41-52	Bulb, Light
32	532 14 28-81	Harness, Light
33	532 11 07-12	Switch, Light
36	811 15 04-00	Washer, Lock, Internal Tooth 1/4
39	532 14 17-35	Bracket, Switch Clutch
55	817 49 05-08	Screw, Thdrol 5/16-18 x 1/2
70	532 14 04-13	Harness, Engine

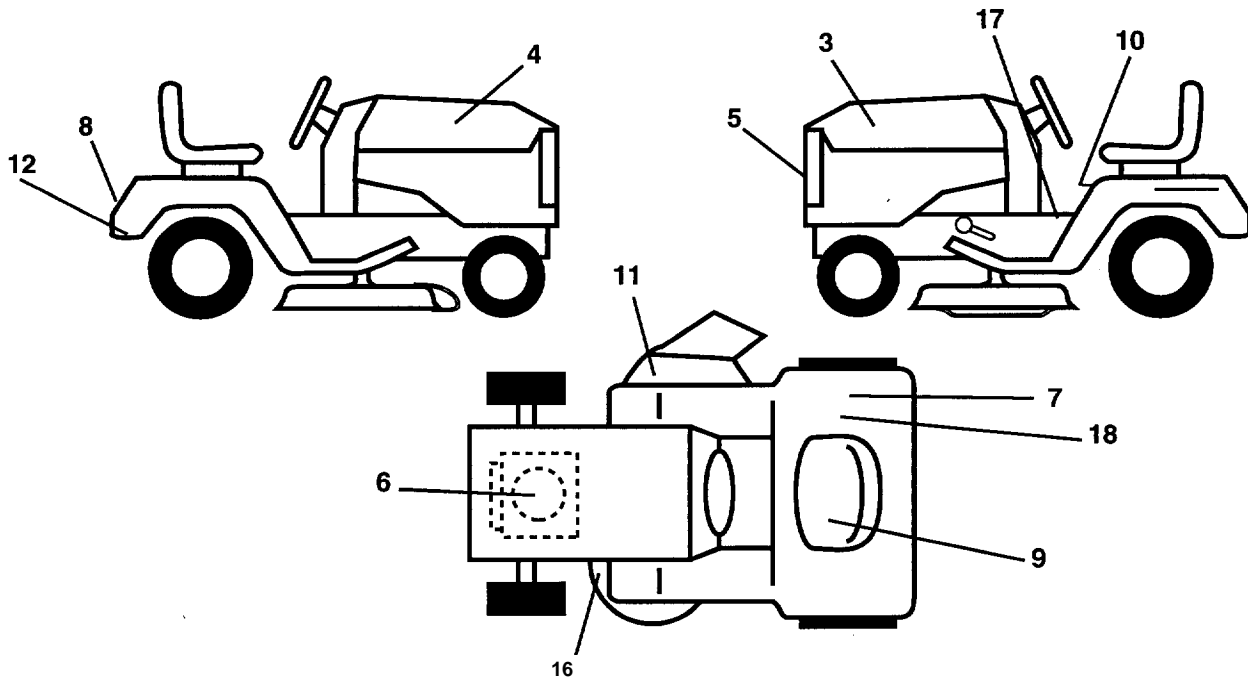
NOTE: All component dimensions given in U.S. inches
1 inch = 25.4 mm

HARDWARE SHOWN LARGER FOR EASIER IDENTIFICATION

REPAIR PARTS

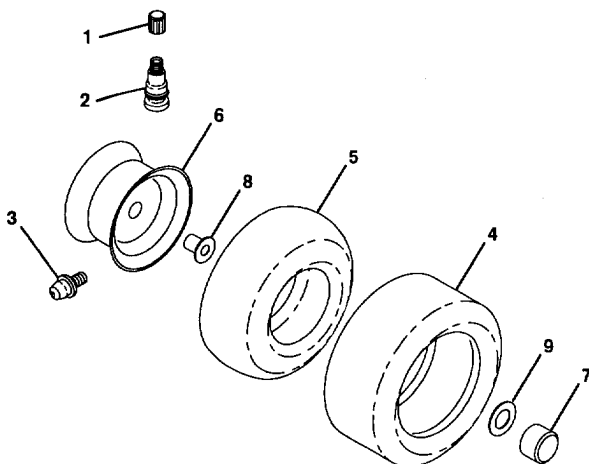
TRACTOR -- MODEL NO. LTH130 (HE13H36B), PRODUCT NO. 954 82 00-01

DECALS



KEY NO.	PART NO.	DESCRIPTION	KEY NO.	PART NO.	DESCRIPTION
3	532 15 13-55	Decal, Hood, L. H.	16	532 13 68-30	Decal, V-Belt Sch.
4	532 15 13-54	Decal, Hood, R. H.	17	532 14 55-45	Decal, Oper. Inst., Sym.
5	532 15 06-16	Decal, Logo, Grill	18	532 14 54-37	Decal, Europ Stand. CE Tractors
6	532 27 32-12	Decal, Engine	--	532 13 83-11	Decal, Height, Adjust
7	532 12 61-87	Decal, 100 DBA	--	532 15 26-73	Manual, Operator's (Scan)
8	532 15 06-17	Decal, Logo, Fender	--	532 15 26-61	Manual, Operator's (Euro)
9	532 14 50-05	Decal, Battery Danger/Poison	Accessories not included with tractor:		
10	532 14 54-98	Decal, Read Owner's Manual Symbols	--	CE36	Rear Bagger
11	532 14 54-94	Decal, Cutfinger	--	Mk360	Mulcher Kit
12	532 14 14-84	Decal, Drawbwr Cntrl			

WHEELS & TIRES



KEY NO.	PART NO.	DESCRIPTION
1	532 05 91-92	Cap, Valve
2	532 06 51-39	Stem, Valve
3	532 12 49-57	Fitting, Grease (Front Wheels Only)
4	532 13 74-22	Tire, Front
4	532 13 27-03	Tire, Rear
5	532 05 99-04	Tube, Front (Optional Service Items Only)
5	532 00 81-34	Tube, Rear (Optional Service Items Only)
6	532 14 20-39	Rim, Front
6	532 14 16-52	Rim, Rear
7	532 10 47-57	Cap, Hub, Axle
8	532 12 49-59	Bearing, Flange
9	532 12 17-48	Washer 25/32 x 1 -5/8 x 16 Ga.
--	532 14 43-34	Sealant, Tire (10 oz. Tube)

NOTE: All component dimensions given in U. S. inches
1 inch = 25.4 mm