

5-21



1.1996

Spare parts

Ersatzteile

Pièces détachées

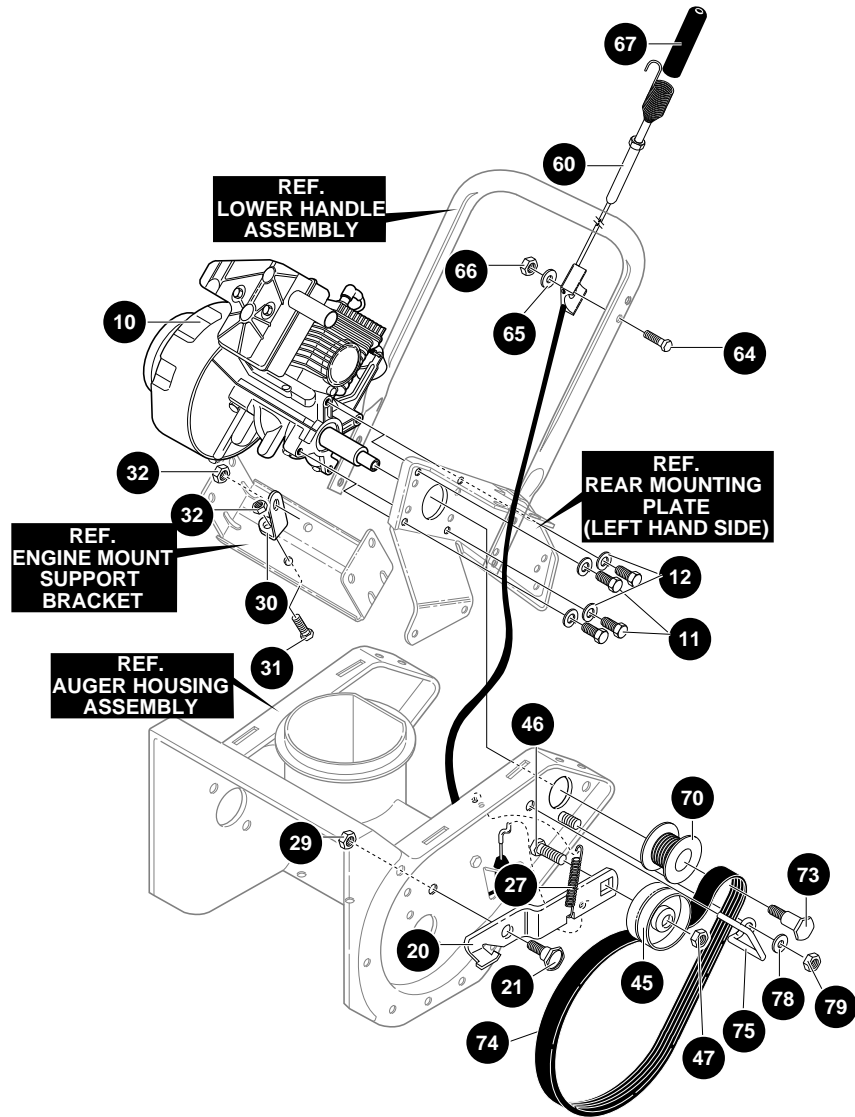
Reserve onderdelen

Repuestos

Reservdelar

A

ENGINE ASSEMBLY

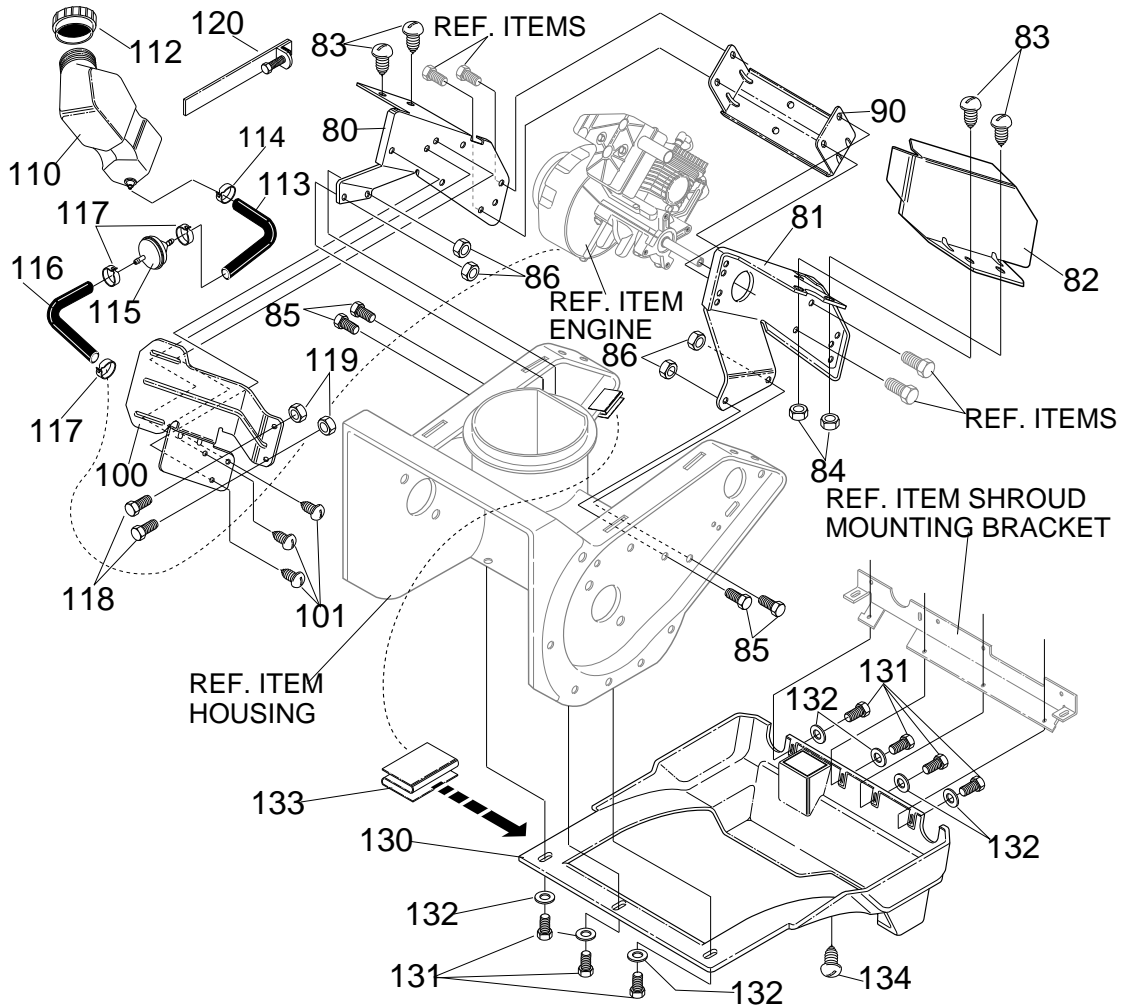


REF. NO.	PART NO.	PART NAME
10	ENGINE	5HP (See Engine Manual)
11	8747805-10	SCREW, 5/16-18X.75
12	5331206-38	WASHER, .328X.60X.09
20	5333394-15	BRACKET, IDLER ARM
21	5333335-94	SH. BOLT 5/16-18
27	5333390-17	SPRING, IDLER BRAKE
29	8732205-00	NUT, 5/16-18 RGHXCTRLK
30	5333014-15	SUPPORT, ENGINE
31	5331800-73	SCREW 5/16-18X.50
32	5330014-98	NUT, 5/16-18REGHXCTRLK
45	5330489-24	PULLEY, IDLER
46	8721406-12	CARR. BOLT, 3/8-16X1.50
47	8736806-00	NUT, 3/8-16 CTRLKJAM
60	5333205-29	CABLE, DRIVE CONTROL

REF. NO.	PART NO.	PART NAME
64	8747804-24	SCREW 1/4-20X1.50
65	5331203-92	FLATWASHER
66	8732204-00	NUT, 1/4-20 RGHXCTRLK
67	5333141-42	COVER, CABLE SPRING
70	5333337-84	PULLEY, 4.5HP POLY V
73	5333338-05	SH. BOLT .625X.282
74	5333337-21	BELT, POLY
75	5333404-28	GUIDE, BELT
78	5331203-86	FLATWASHER
79	8732205-00	NUT, 5/16-18REGHXCTRLK

B

FRAME COMPONENTS ASSEMBLY

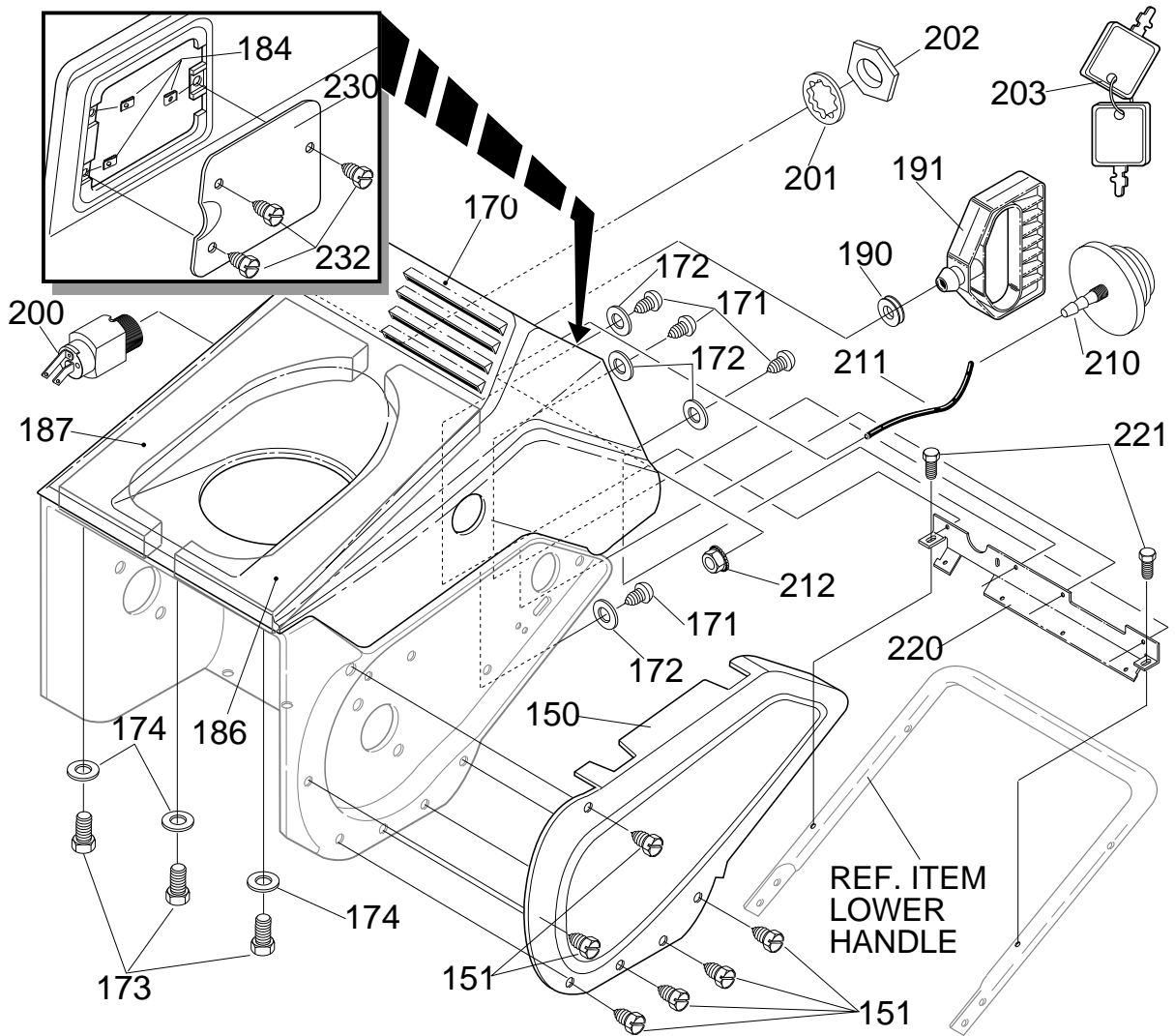


REF. NO.	PART NO.	PART NAME
80	5333014-20	PLATE, REAR MT. RH
81	5333014-21	PLATE, REAR MT. LH
82	5333117-38	SHEILD, ENGINE HEAT
83	8747804-10	SCREW 1/4-20X.63
84	8736804-00	NUT, 1/4-20 MACK LOCK
85	5331800-73	SCREW 5/16-18X.50
86	8732205-00	NUT, 5/16-18 RGHXCTRLK
90	5333014-19	SUPPORT, FRAME ENG MT.
100	5333077-24	BRACKET, GAS TANK
101	5333098-14	SCREW, #10-24X.63
110	5333261-42	TANK, FUEL
112	5333270-18	CAP, FUEL
113	5333233-63	TUBING 8 INCHES

REF. NO.	PART NO.	PART NAME
114	5330473-45	CLAMP, HOSE SCREW TYPE
115	5330566-79	FILTER, IN LINE
116	5333233-95	TUBING, 3 INCHES
117	5333233-87	CLAMP, HOSE
118	5332747-07	SCREW 10-24X.50
119	8732710-00	NUT, #10-24 REGHXCTRLK
120	5333116-71	CLAMP, WORM
130	5333141-81	SHROUD, BOTTOM
131	5333098-14	SCREW #10-24X.63 TAP
132	5333030-41	FLATWASHER
133	5333130-57	CLIP, "S" TINNERMAN
134	5330573-66	SCREW, 10-16X.50

C

BELT COVER COMPONENTS ASSEMBLY

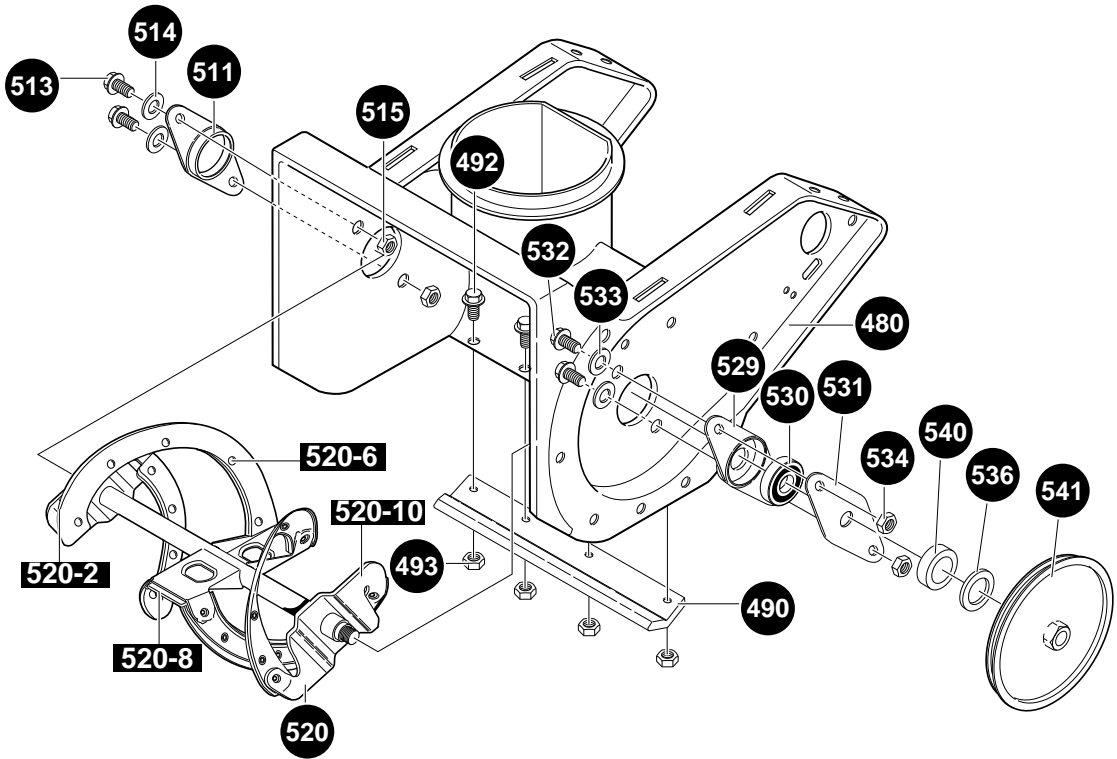


REF. NO.	PART NO.	PART NAME
150	5333024-16	BELT COVER
151	5330352-58	SCREW, 10-24X.38
170	5333141-79	COVER, TOP
171	5333098-14	SCREW, #10-24X.50
172	5333030-41	FLATWASHER .203X.56X.049
173	5333098-13	NUT, TINN "U" TYPE
174	5331203-85	FLATWASHER .250X.56X.049
184	5333098-11	NUT, TINN "U" TYPE
186	5333143-92	FOAM, SHROUD LH
187	5333143-93	FOAM, SHROUD RH
190	5330575-87	GROMMET & WASHER
191	5333155-42	GRIP, MITTEN

REF. NO.	PART NO.	PART NAME
200	5330569-92	SWITCH, IGNITION
201	5331385-57	WASHER, REGINTLK
202	5330481-40	NUT, 5/8-32 HXHD IGN. SWITCH
203	5330496-43	2 KYES & RING ASSY
210	5330546-01	PRIMER, ENGINE
211	5330012-59	HOSE, PRIM
212	8732204-00	NUT, 1/4-20 HEXKEPS
220	5333074-69	BRACKET, SHROUD MTG
221	5333098-14	SCREW #10-24X.63 TAP
230	5333141-80	DOOR
232	5333123-62	SCREW #10-16X.75

D

AUGER AND HOUSING ASSEMBLY

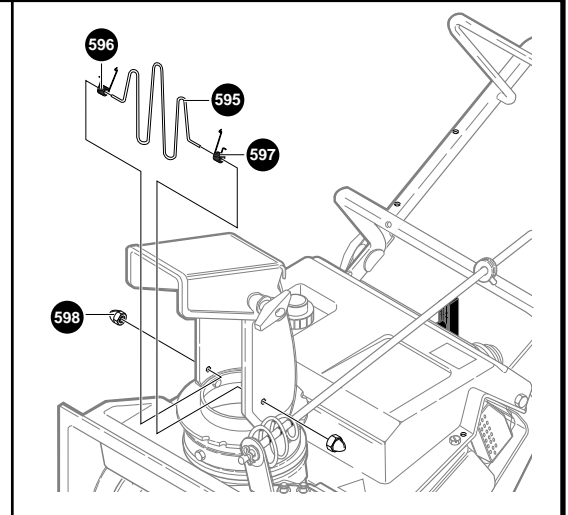
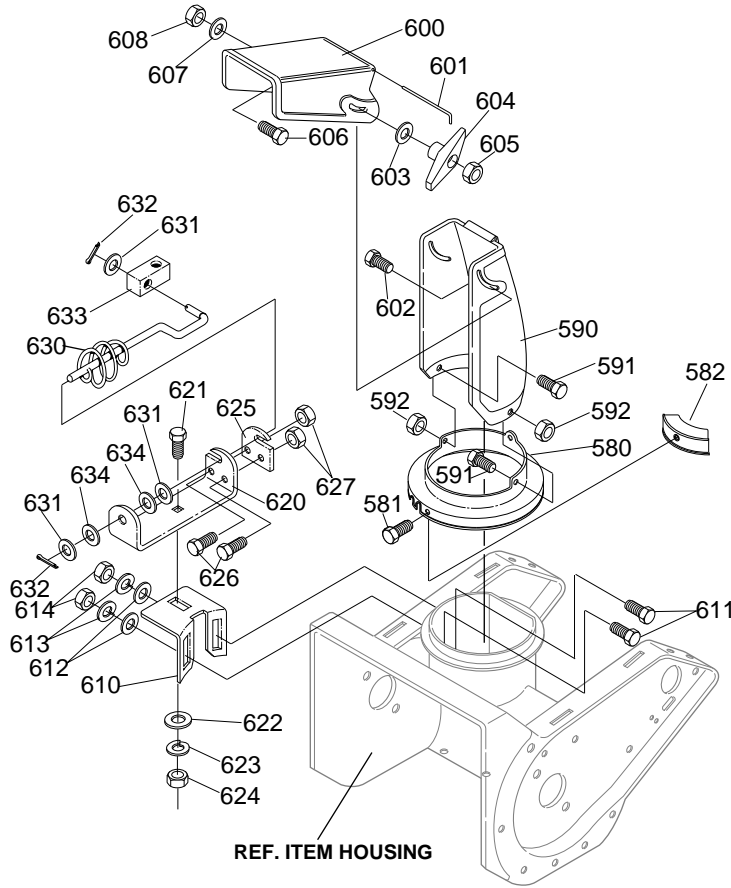


Correction:
5330571-21
5333070-49

REF. NO.	PART NO.	PART NAME
480	5333403-81	HOUSING, AUGER
490	5333024-18	SCRAPER BLADE
492	5330556-86	SCREW, 1/4-20X.63
493	8736804-00	NUT, 1/4-20 MAC-LOCK
511	5335770-23	BEARING, FLANGED
513	5331800-21	SCREW, 1/4-20X.88
514	5331203-92	FLATWASHER .281X.63X.065
515	8736804-00	NUT, 1/4-20 MAC-LOCK
520	5333093-76	AUGER, ASSY COMP
520-2	5333025-65	BLADE, AUGER
520-6	5330498-38	RIVET, OVSET
520-8	5333359-93	AUGER, ASSY COMP BLADE, CENTER
520-10	5333093-76	AUGER & BLADE SUPP.
529	5335802-51	BEARING RETAINER
530	5330495-62	BALL BEARING
531	5333342-87	PLATE, RETAINER BRNG
532	5331800-20	SCREW 1/4-20X.75
533	5331203-92	FLATWASHER .281X.63X.065
534	8732204-00	NUT, 1/4-20 RGHXCTRLK
536	5330406-77	FLATWASHER .640X1.25X.06
540	5335781-01	SPACER, SLEV
541	5333334-46	PULLEY, POLY V

E

CHUTE ASSEMBLY



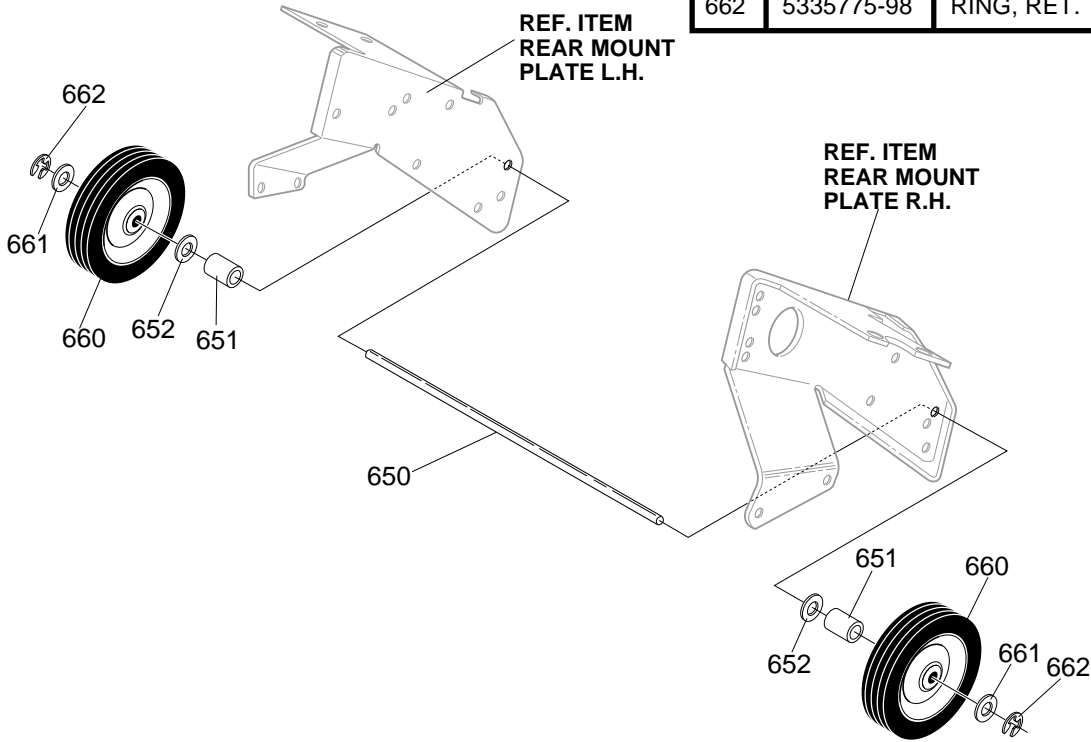
REF. NO.	PART NO.	PART NAME
580	5333025-00	LOWER CHUTE RING
581	5330569-62	SCREW 1/4-14X.63
582	5333007-90	CLIP, CHUTE RING
590	5333378-43	LOWER CHUTE
591	8747804-08	SCREW, 1/4-20X.50
592	8736804-00	NUT, 1/4-20 MAC-LOCK
595	5333112-06	GUARD, WIRE CHUTE
596	5330517-76	SPRING, TORSION
597	5330517-77	SPRING, TORSION
598	5330491-06	NUT, ACORN PALNUT-#
600	5333147-04	UPPER CHUTE
601	5333105-62	WIRE, HINGE
602	8747805-20	CARR. BOLT 5/16-18X1.25
603	5331203-93	FLATWASHER
604	5330135-27	KNOB, T 2BLADE
605	8732205-00	NUT, 5/16-18 REGHEX
606	8747805-12	SCREW 5/16-18X.75
607	5331203-93	FLATWASHER
608	8732205-00	NUT, 5/16-18 RGHXCTRLK

REF. NO.	PART NO.	PART NAME
610	5333025-05	BRACKET, WORM ADJUST
611	8721405-06	CARR. BOLT 5/16-18X.75
612	5331203-93	FLATWASHER
613	5331206-38	WASHER, HVSPTLK
614	8732205-00	NUT, 5/16-18 REGHEX
620	5333007-28	BRACKET, CHUTE ROD
621	8721405-06	CARR. BOLT 5/16-18X.75
622	5331203-93	FLATWASHER
623	5331206-38	WASHER, HVSPTLK
624	8732205-00	NUT, 5/16-18 REGHEX
625	5333077-41	PLATE, CHUTE ROD
626	8747804-08	SCREW 1/4-20X.50
627	8732204-00	NUT, 1/4-20 RGHXCTRLK
630	5333077-42	ROD, ASSY CHUTE CTRL
631	5330124-52	FLATWASHER
632	5331212-22	COTTER PIN
633	5330515-64	BLOCK, PIVOT
634	5333134-31	WASHER, CURVED SPRING

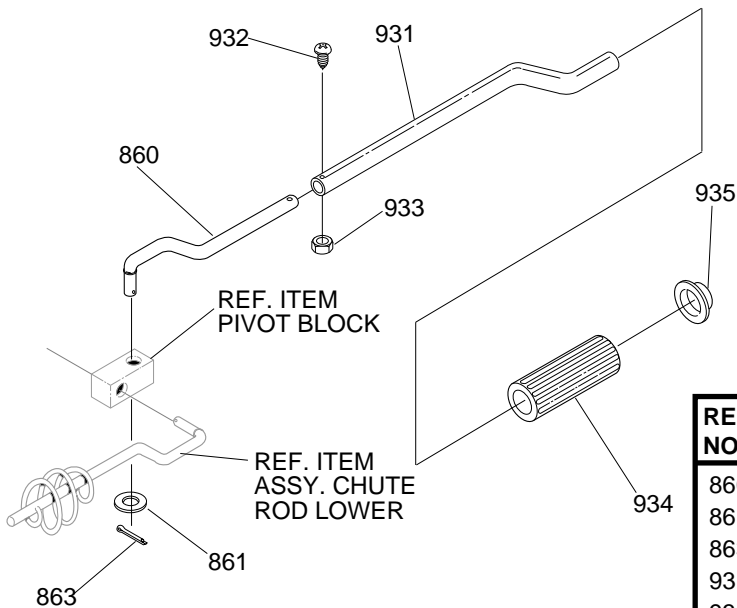
F

WHEELS ASSEMBLY

REF. NO.	PART NO.	PART NAME
650	5333077-19	AXLE SHAFT
651	5333096-56	SPACER, SLEEVE
652	5331203-94	FLATWASHER .406X.81X.065
660	5333250-16	TIRE & RIM 8X1.75
661	5331203-94	FLATWASHER .406X.81X.065
662	5335775-98	RING, RET.



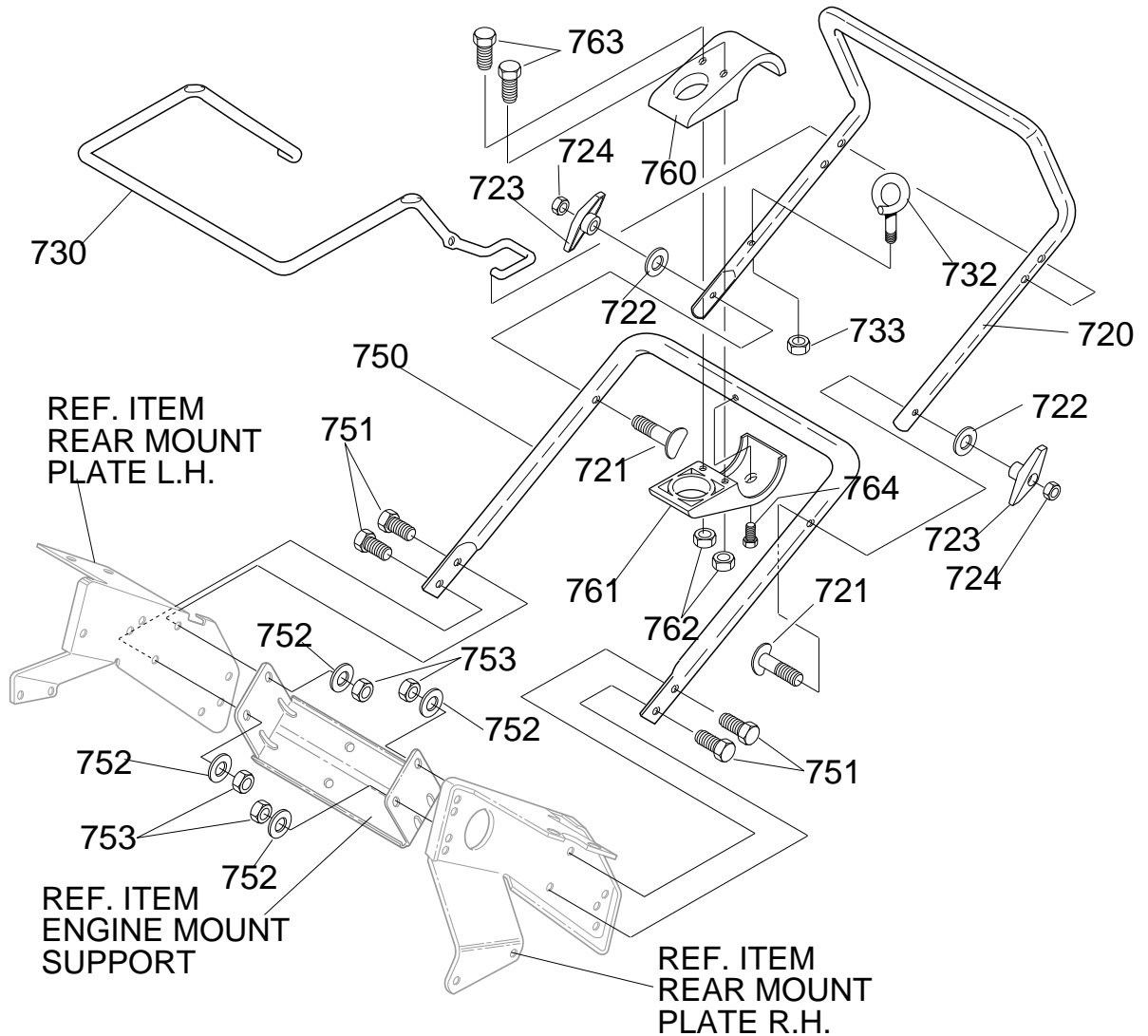
CHUTE ROD ASSEMBLY



REF. NO.	PART NO.	PART NAME
860	5333077-56	ROD, MID CHUTE CTRL
861	5330124-52	FLATWASHER .40X.75X.025
863	5331212-22	COTTER PIN
931	5333094-49	ROD CHUTE CTRL UPPER
932	5333141-58	SCREW 10-32X.88
933	8731610-00	NUT #10-32 CTRLK
934	5333077-55	KNOB, CHUTE CRANK
935	5333315-32	NUT, PUSH 3/8"

G

HANDLE ASSEMBLY



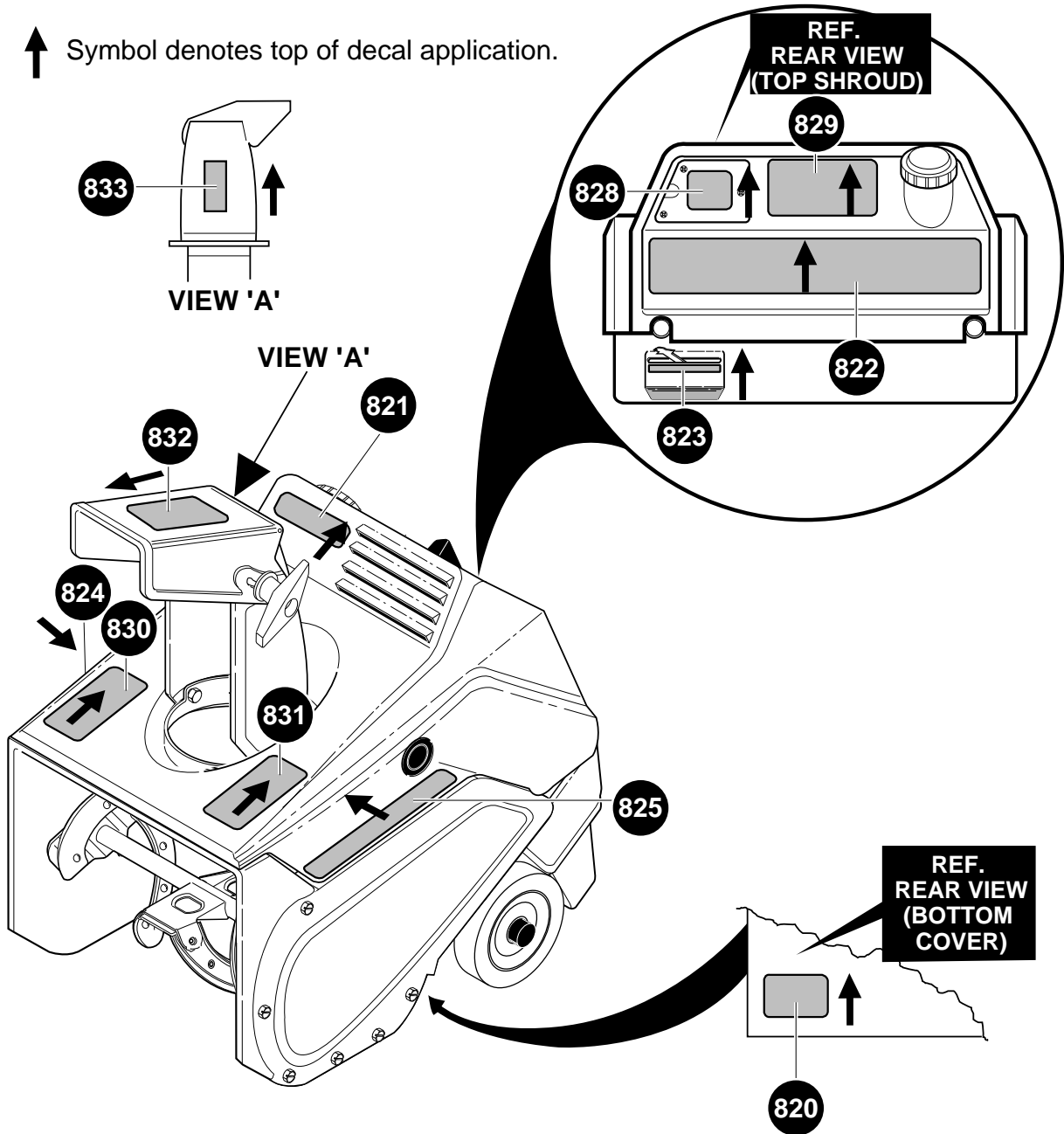
REF. NO.	PART NO.	PART NAME
720	5333143-78	HANDLE & FOAM ASSY
721	8747605-32	BOLT, 5/16-18X2.00 CUH
722	5330220-25	FORMED WASHER
723	5330135-27	KNOB, T 2/BLADE
724	8732205-00	NUT, 5/16-18 REGHEX
730	5333024-17	CONTROL DRIVE BAR
732	5333143-73	ROPE GUIDE
733	8732205-00	NUT, 5/16-18 RGHXCTRLK
750	5333016-07	LOWER HANDLE

REF. NO.	PART NO.	PART NAME
751	8747805-12	SCREW 5/16-18X.75
752	5331203-93	FLATWASHER
753	8732205-00	NUT, 5/16-18 REGHXCTRLK
760	5333087-15	BRKT, HALF CHUTE CRANK
761	5333087-16	BRKT, HALF CHUTE CRANK
762	8732710-00	NUT #10-24 HEXNYLLK
763	5333098-15	SCREW #10-24X1.00
764	5333101-69	SCREW 1/4-20X.63 TAP.

H

DECALS

↑ Symbol denotes top of decal application.



REF. NO.	PART NO.	PART NAME
821	5334025-86	DECAL, HUSQVARNA
822	5333148-09	DECAL, CONTROL PANEL
823	5333027-74	DECAL, OFF-CHOKE-ON
824	5334027-96	DECAL, RH SHROUD SIDE
825	5334027-95	DECAL, LH SHROUD SIDE (ST21E)
830	5333376-11	DECAL, DANGER AUGER CE CERT.
833	5333376-10	DECAL, DANGER CHUTE CE CERT.