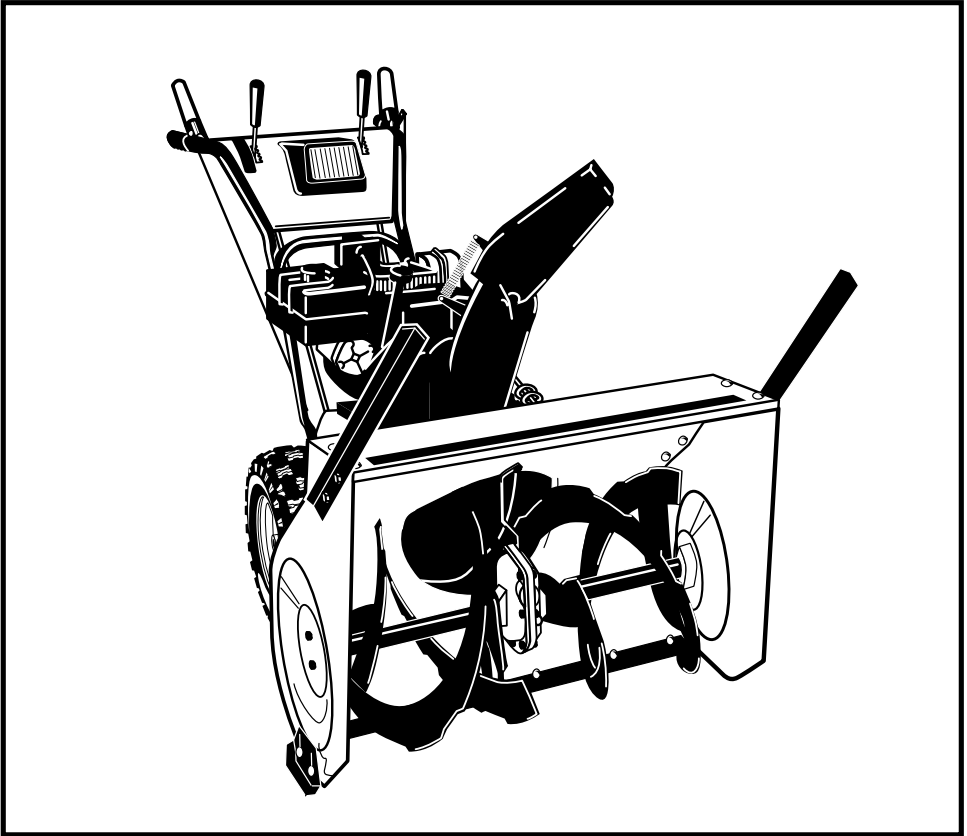


# ST927E

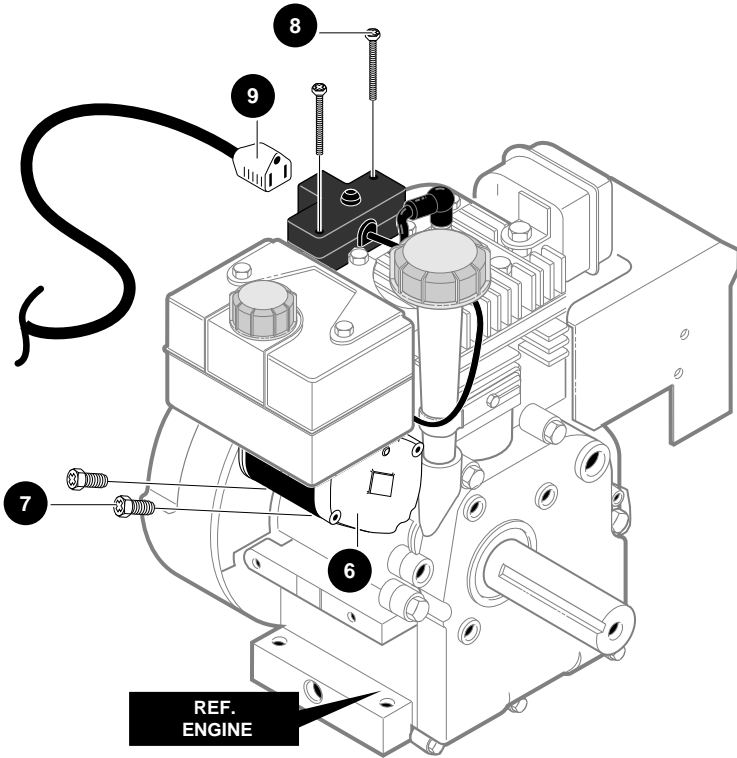


**1.1997**

**Spare Parts**

# 27" SNOWTHROWER MODEL ST 927E

## ELECTRIC START ASSEMBLY



REF NO.	PART NO.	PART NAME
6	601 00 15-88	MOTOR, STARTER
7	601 00 15-89	SCREW, 1/4-20X .50
8	601 00 15-90	SCREW, #6-32X2.50
9	601 00 15-91	CORD, STARTER
10	601 00 21-61	OWNER'S MANUAL

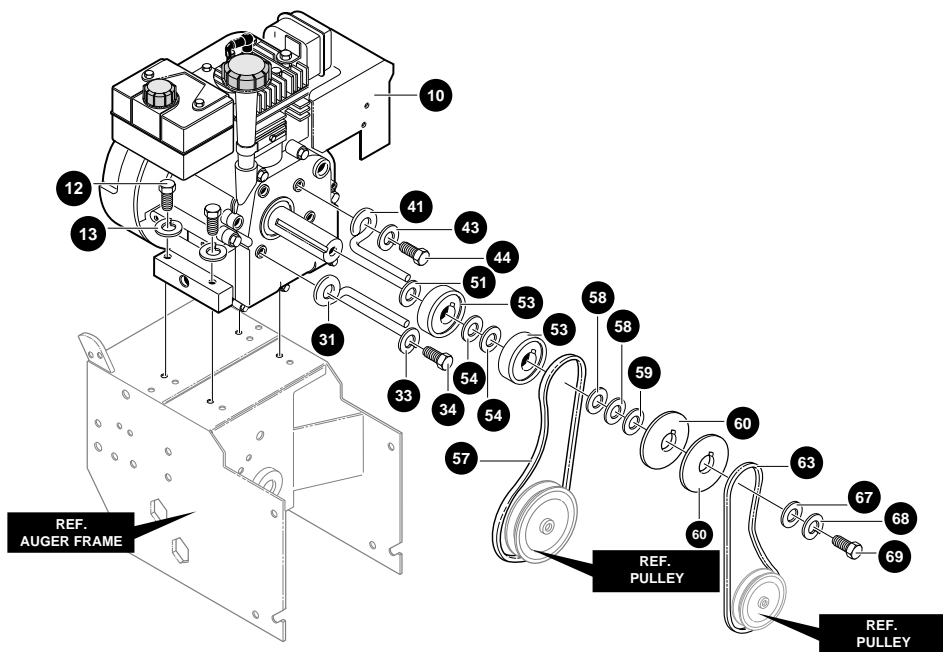
319051 B

**Note: Always use original equipment parts.**  
Use of service/replacement parts other than original parts may void your warranty.

**All unnumbered items are interchangeable with opposite side**

# 27" SNOWTHROWER MODEL ST 927E

## ENGINE ASSEMBLY

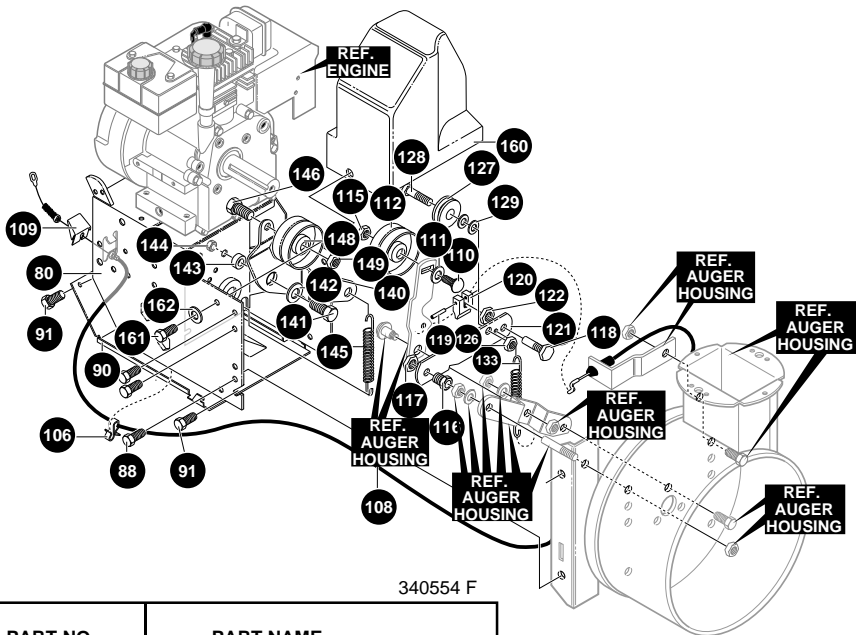


319042G

REF NO.	PART NO.	PART NAME
10	ENGINE	7 HP (See Engine Manual)
12	601 00 21-62	SCREW, 5/16-18
13	601 00 00-23	WASHER, .328X.60X.09
31	601 00 14-32	GUIDE, ROD BELT RH
33	601 00 00-23	WASHER, .328X.60X.09
34	601 00 14-33	SCREW, 5/16-24X .625
41	601 00 14-32	GUIDE, ROD BELT RH
43	601 00 00-23	WASHER, .328X.60X.09
44	601 00 14-33	SCREW, 5/16-24X .625
51	601 00 14-34	WASHER, CRANKSHAFT
53	601 00 14-36	PULLEY, HALF
54	601 00 14-35	FLATWASHER .752X .91X.02
57	601 00 14-37	BELT, V 3L 33.13LG
58	601 00 14-38	FLATWASHER .765X1.12X.06
59	601 00 20-20	SPACER, SLEEVE
60	601 00 20-21	PULLEY, ENGINE
63	601 00 15-94	BELT, V 4L 38.1
67	601 00 14-41	FLATWASHER
68	601 00 00-15	WASHER, .393X.68X.10
69	601 00 05-27	SCREW, 3/8-24X1.00

# 27" SNOWTHROWER MODEL ST 927E

## FRAME COMPONENTS ASSEMBLY

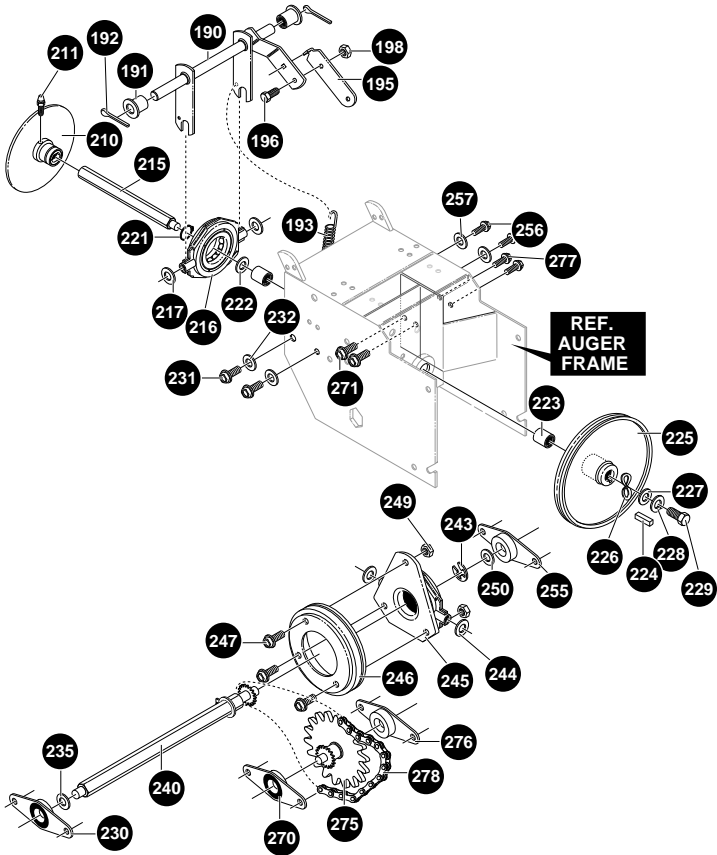


340554 F

REF NO.	PART NO.	PART NAME
80	601 00 21-63	FRAME, ASSY
88	601 00 05-19	SCREW, 5/16-18X .50
90	601 00 17-39	COVER, BOTTOM
91	601 00 14-45	SCREW, 1/4-20X .63
106	601 00 20-27	CLIP, CABLE TINN
108	601 00 21-64	CABLE, AUGER
109	601 00 20-30	SHIELD, CABLE GUARD
110	601 00 15-98	CARR BOLT 3/8-16X1/2
111	601 00 06-71	FLATWASHER
112	601 00 14-54	PULLEY, IDLER
115	601 00 13-35	NUT, 3/8-16
116	601 00 16-02	BOLT, BRAKE ARM
117	601 00 16-01	NUT, 9/16-18 JAMCTRLK
118	601 00 16-04	BOLT, BRAKE ARM ADJ
119	601 00 14-51	SPRING PIN
120	601 00 14-59	PAD, AUGER/IMP
121	601 00 20-58	BRACKET, PUCK
122	601 00 16-03	NUT, 1/2-20 JAMCTRLK
126	601 00 00-62	NUT, 1/4-20
127	601 00 05-60	PULLEY, METAL
128	601 00 20-59	BOLT, SH 1/4-20
129	601 00 00-17	FLATWASHER
133	601 00 20-60	SPRING, IDLER BRAKE
140	601 00 14-61	LEVER, IDLER ARM TRACTION
141	601 00 00-73	SCREW, 5/16-18X .75
142	601 00 14-62	FLATWASHER, .328X1.25X.075
143	601 00 14-63	BUSHING, IDLER LEVER
144	601 00 14-64	NUT, 5/16-18 HEXNYL
145	601 00 10-89	IDLER SPRING
146	601 00 17-40	SCREW, 3/8-16X1.25
14	601 00 14-54	PULLEY, IDLER
14	601 00 13-35	NUT, 3/8-16
160	601 00 14-65	COVER, BELT
161	601 00 14-45	SCREW, 1/4-20X .63
162	601 00 00-18	FLATWASHER, .281X.63X.065

# 27" SNOWTHROWER MODEL ST 927E

## DRIVE COMPONENTS ASSEMBLY

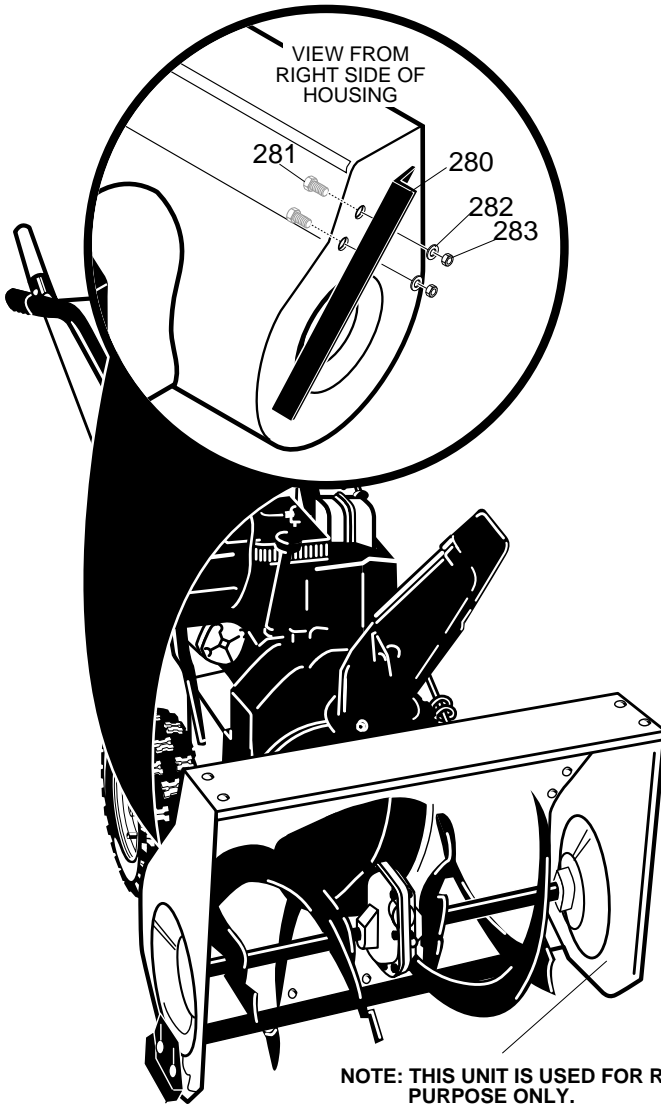


REF NO.	PART NO.	PART NAME
190	601 00 14-66	LEVER, ASSY TRACTION
191	601 00 14-47	BEARING, FLANGE
192	601 00 09-30	PIN, COTTER
193	601 00 14-67	SPRING, RETURN
195	601 00 14-68	LEVER, SPRING
196	601 00 13-74	SCREW, 1/4-20X .63
198	601 00 00-62	NUT, 1/4-20
210	601 00 20-31	DISC, ASSY
211	601 00 14-70	ZERK, GREASE
215	601 00 14-71	SHAFT, HEX TRACTION
216	601 00 14-72	BEARING, TRUNION
217	601 00 14-46	FLATWASHER, .53 X1.00X.063
221	601 00 14-74	RING, RETEX
222	601 00 14-75	FLATWASHER, .680X1.12X.060
223	601 00 05-39	BEARING, BALL
224	601 00 14-76	KEY, SQUARE
225	601 00 14-77	PULLEY, V3L 6.50X .56
226	601 00 14-78	WASHER, WAVE
227	601 00 00-03	FLATWASHER, .281X1.00X.063
228	601 00 00-14	WASHER, .263X.49X.07
229	601 00 00-68	SCREW, 1/4-20X .75

REF NO.	PART NO.	PART NAME
230	601 00 14-79	BEARING & RETAINER
231	601 00 05-19	SCREW, 5/16-18X .50
232	601 00 00-23	WASHER, .328X.60X.09
235	601 00 14-84	WASHER, .502X .75X.0605
240	601 00 20-32	HEX, ASSY#40-8T
243	601 00 20-33	RING, RETEX
244	601 00 14-46	FLATWASHER, .53 X1.00X.063
245	601 00 17-41	BEARING, TRUNION
246	601 00 14-83	WHEEL, ASSY FRICTION
247	601 00 13-74	SCREW, 1/4-20X .63
249	601 00 17-90	NUT, 1/4-20 HEXKEYS
250	601 00 14-84	WASHER, .502X .75X.0605
255	601 00 14-79	BEARING & RETAINER
256	601 00 05-19	SCREW, 5/16-18X .50
257	601 00 00-23	WASHER, .328X.60X.09
270	601 00 14-79	BEARING & RETAINER
271	601 00 05-19	SCREW, 5/16-18X .50
275	601 00 16-06	JACK, ASSY#41-36T&7T
276	601 00 14-79	BEARING & RETAINER
277	601 00 05-19	SCREW, 5/16-18X .50
278	601 00 14-86	CHAIN, ROLLER #42 X 40P

# 27" SNOWTHROWER MODEL ST 927E

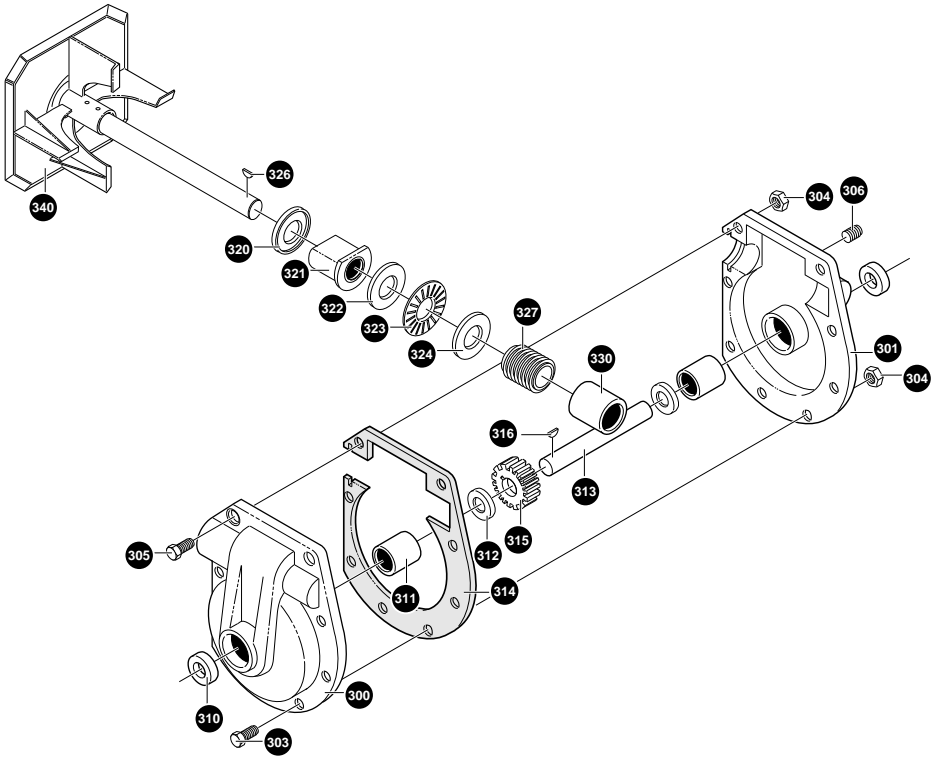
## DRIFT CUTTERS ASSEMBLY



REF NO.	PART NO.	PART NAME
280	601 00 21-65	BAR, DRIFT CUTTER
281	601 00 14-11	BOLT, 5/16-18X .75
282	601 00 00-23	WASHER, HVSP TLK
283	601 00 00-12	NUT, 5/16-18 REG HEX

# 27" SNOWTHROWER MODEL ST 927E

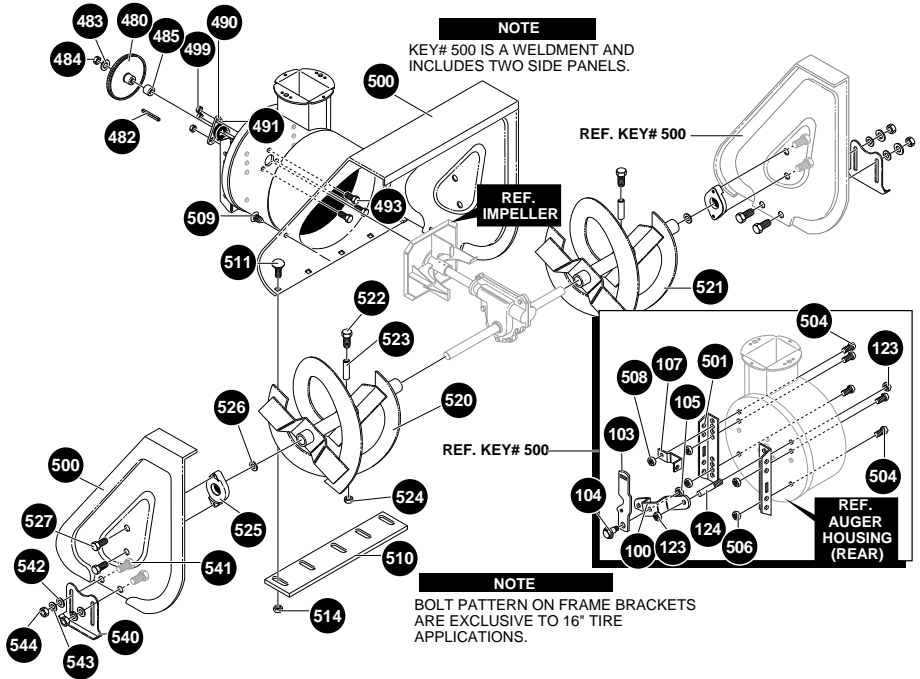
## GEAR CASE ASSEMBLY



REF NO.	PART NO.	PART NAME
300	601 00 14-87	CASE, GEAR RH
301	601 00 14-88	CASE, GEAR LH
303	601 00 14-43	SCREW, 5/16-24X1.00
304	601 00 16-62	NUT, 5/16-24
305	601 00 16-07	SCREW, 5/16-24X1.50
306	601 00 14-90	PIPE PLUG
310	601 00 14-91	SEAL, OIL
311	601 00 14-92	BEARING, SLEEVE
312	601 00 14-93	WASHER, FLAT
313	601 00 16-08	SHAFT, AUGER
314	601 00 14-95	GASKET, GEAR BOX
315	601 00 14-96	WORM GEAR
316	601 00 14-97	KEY, WDRF
320	601 00 14-98	RING, QUAD
321	601 00 14-99	BEARING, FLANGE
322	601 00 15-00	FLATWASHER .752X1.24X.093
323	601 00 15-01	BRNG, ROLL
324	601 00 15-00	FLATWASHER .752X1.24X.093
326	601 00 15-02	KEY, HI-PRO
327	601 00 15-03	WORM GEAR
330	601 00 15-04	BRNG, SLEV
340	601 00 15-05	IMPELLER, ASSY

# 27" SNOWTHROWER MODEL ST 927E

## AUGER HOUSING ASSEMBLY



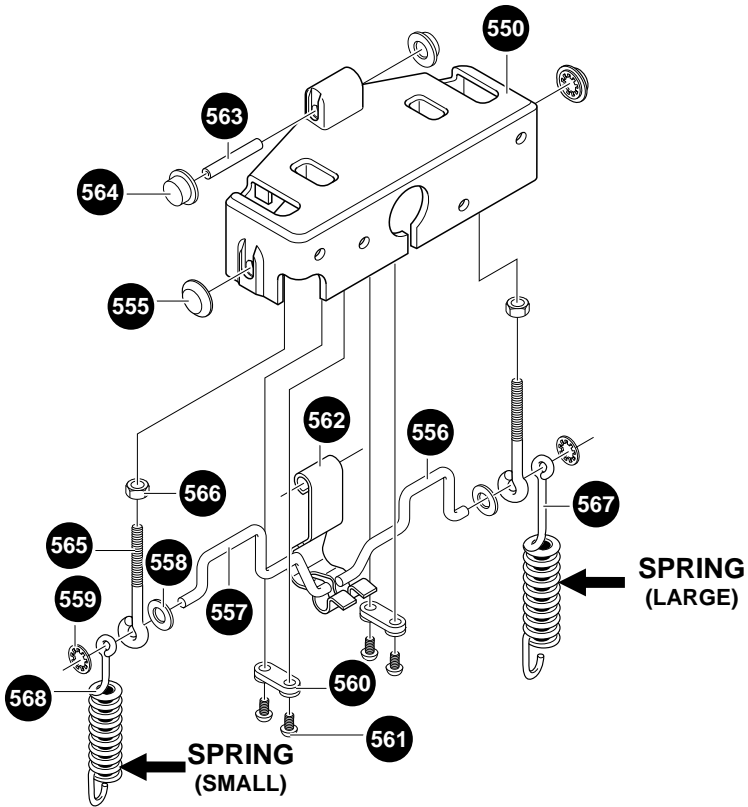
REF NO.	PART NO.	PART NAME
480	601 00 16-09	PULLEY, V4L 8.40 OD
482	601 00 15-07	KEY, SQUARE
483	601 00 14-46	FLATWASHER .53 X1.00X.063
484	601 00 01-07	NUT, 1/2-20
485	601 00 16-10	SPACER, SLEEVE
490	601 00 15-09	RETAINER, BALL
491	601 00 05-39	BEARING, BALL
493	601 00 00-73	SCREW, 5/16-18X .75
499	601 00 20-36	NUT, 5/16-18 WHIZ
500	601 00 21-73	HOUSING, ASSY
100	601 00 20-24	PLATE, CLUTCH ARM MT
103	601 00 20-57	BRACKET, IDLER
104	601 00 20-26	SH. BOLT, 3/8-16
105	601 00 00-60	NUT, 3/8-16 RGHXCTRLK
107	601 00 20-28	CABLE MTNG BRACKET
123	601 00 00-60	NUT, 3/8-16 RGHXCTRLK
124	601 00 17-42	STUD, BRAKE ARM
125	601 00 00-15	WASHER, REGXPTLK
501	601 00 20-35	BRKT, MOUNT
504	601 00 20-61	SCREW, 3/8-16X .75
506	601 00 00-60	NUT, 3/8-16REGHXCTRLK

REF NO.	PART NO.	PART NAME
508	601 00 00- 60	NUT, 3/8-16 REGHXCTRLK
509	601 00 21-74	PLUG, CHRISTMAS TREE
510	601 00 16-14	BLADE, SCRAPER
511	601 00 14-11	BOLT, 5/16-18X .75
514	601 00 20-36	NUT, 5/16-18 HXWDFLLK
520	601 00 18-72	AUGER ASSY. LH
521	601 00 18-73	AUGER ASSY. RH
522	601 00 14-56	SCREW, 1/4-20X1.75
523	601 00 15-17	SPACER, SLEEVE
524	601 00 00-62	NUT, 1/4-20
525	601 00 15-18	AUGER SHAFT BEARING
526	601 00 15-19	FLATWASHER 1.005X1.31X.035
527	601 00 05-20	SCREW, 5/16-18X .75
540	601 00 17-45	SKID, HEIGHT ADJUST
541	601 00 14-11	BOLT, 5/16-18X .75
542	601 00 00-19	FLATWASHER .344X .69X.065
543	601 00 00-23	WASHER, .328X.60X.09
544	601 00 00-12	NUT, 5/16-18 REGHEX



# 27" SNOWTHROWER MODEL ST 927E

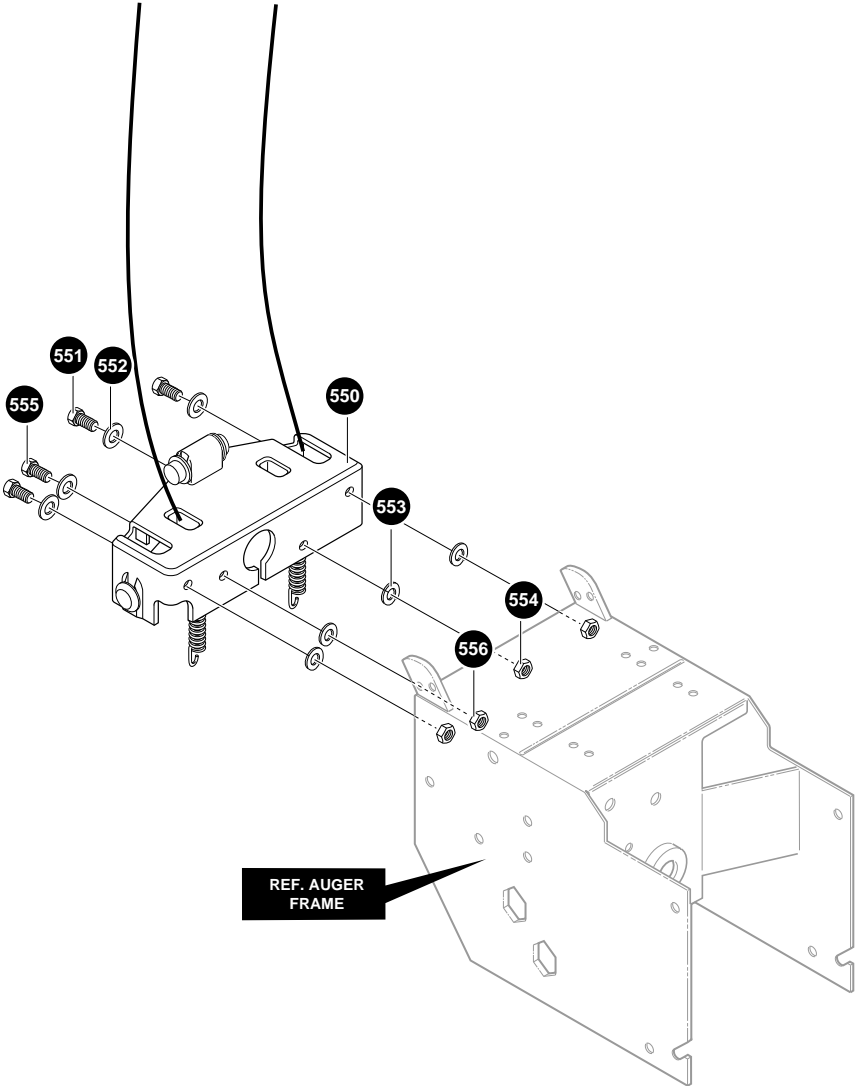
## SINGLE HAND CONTROL ASSEMBLY



REF NO.	PART NO.	PART NAME
550	601 00 16-19	HOUSING, SINGLE HAND
555	601 00 05-16	NUT, PUSH ON CAP .312 OD
556	601 00 16-20	CAM/LATCH, LH
557	601 00 16-21	CAM/LATCH, RH
558	601 00 00-19	WASHER, FLAT .344X .69X.065
559	601 00 16-22	RING, RETEX . X. TRU5115-31
560	601 00 16-23	CLAMP, SHC CAM FRAME MOUNTED
561	601 00 16-24	SCREW, #8X .75PANTAPPLAST
562	601 00 16-25	CAM LOCK
563	601 00 16-26	PIN, SPRING PIVOT SHC
564	601 00 12-91	NUT, PUSH ON 3/8"
565	601 00 16-27	BOLT, EYE
566	601 00 16-28	NUT, #10-24 REGH
567	601 00 21-67	SPRING, DRIVE CLUTCH
568	601 00 21-66	SPRING, AUGER CLUTCH

# 27" SNOWTHROWER MODEL ST 927E

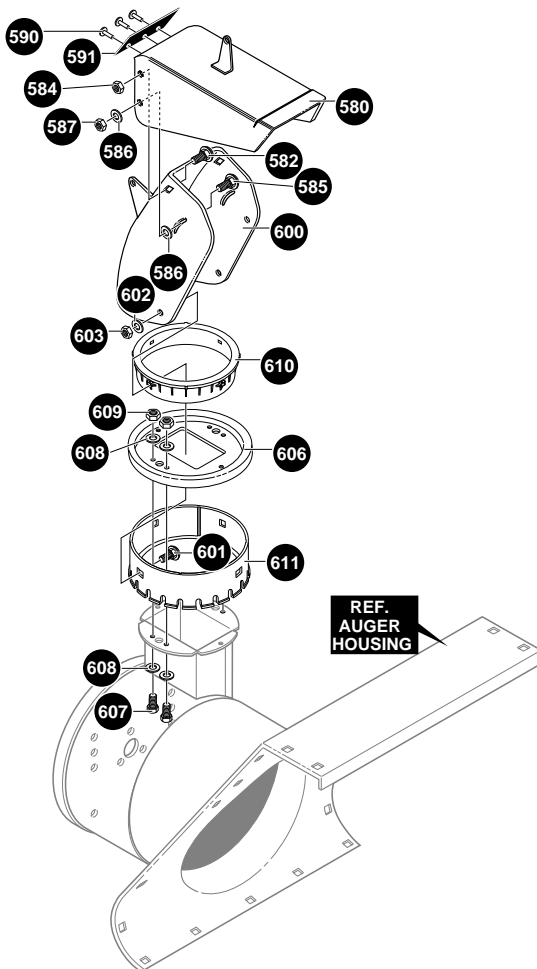
## SINGLE HAND CONTROL ASSEMBLY



REF NO.	PART NO.	PART NAME
550	601 00 21-68	CONTROL, ASSY SINGLE HAND
551	601 00 00-73	SCREW, 5/16-18X .75 HHC
552	601 00 00-19	WASHER, FLAT .344X .69X.065
553	601 00 00-23	WASHER, HVSP TLK .328X.60X.09
554	601 00 00-12	NUT, 5/16-18 REGHEX
555	601 00 14-43	SCREW, 5/16-24X1.00 HHC
556	601 00 16-62	NUT, 5/16-24 HEXWDFLLK

# 27" SNOWTHROWER MODEL ST 927E

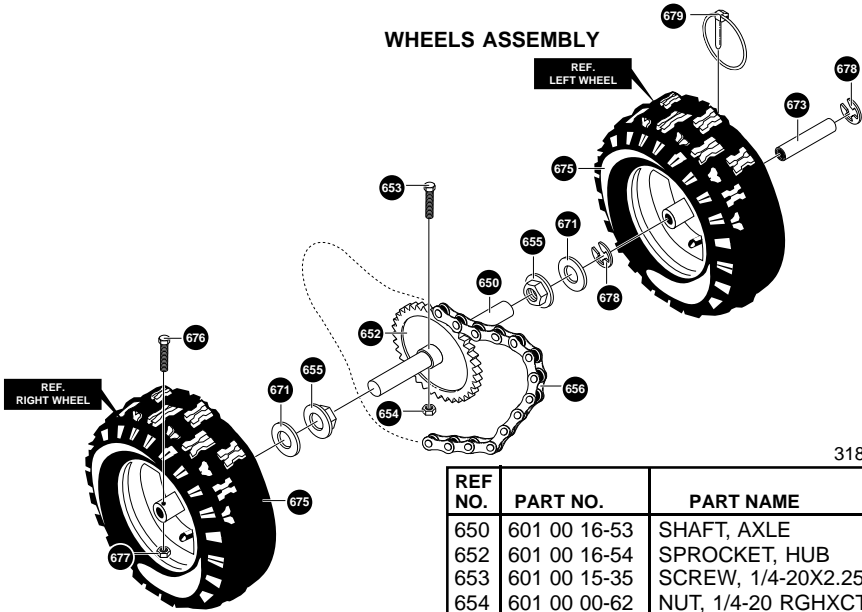
## DISCHARGE CHUTE ASSEMBLY



REF NO.	PART NO.	PART NAME
580	601 00 20-37	CHUTE, UPPER
582	601 00 20-38	SCREW, 5/16-18X .75
584	601 00 14-64	NUT, 5/16-18 HEXNYL
585	601 00 20-38	SCREW, 5/16-18X .75
586	601 00 15-24	WASHER, PLASTIC
587	601 00 14-64	NUT, 5/16-18 HEXNYL
590	601 00 17-04	RIVET, POP
591	601 00 17-02	SKIRT, CHUTE
600	601 00 21-69	CHUTE, LOWER
601	601 00 20-40	BOLT, 5/16-18X1.00
602	601 00 00-19	FLATWASHER .344X .69X.065
603	601 00 14-64	NUT, 5/16-18 HEXNYL
606	601 00 20-41	COLLAR, CH
607	601 00 00-68	SCREW, 1/4-20X .75
608	601 00 00-18	FLATWASHER .281X .63X.065
609	601 00 00-62	NUT, 1/4-20
610	601 00 18-39	RETAINER, RING INNER
611	601 00 18-40	RETAINER, RING OUTER

# 27" SNOWTHROWER MODEL ST 927E

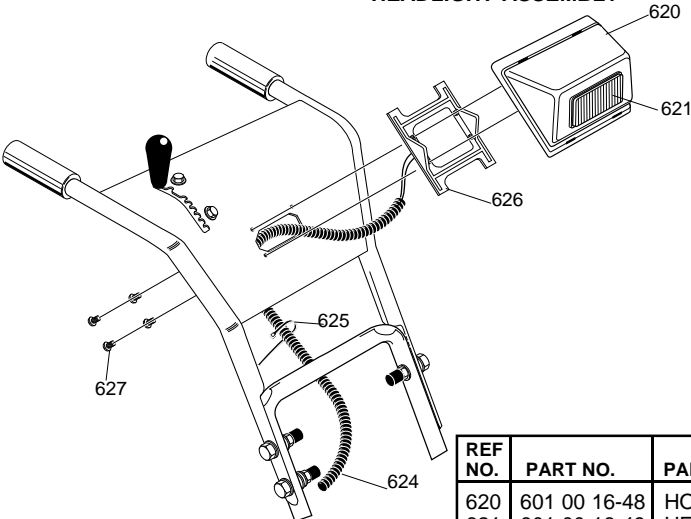
## WHEELS ASSEMBLY



318542E

REF NO.	PART NO.	PART NAME
650	601 00 16-53	SHAFT, AXLE
652	601 00 16-54	SPROCKET, HUB
653	601 00 15-35	SCREW, 1/4-20X2.25
654	601 00 00-62	NUT, 1/4-20 RGHXCTRLK
655	601 00 15-36	BEARING, FLANGED
656	601 00 16-55	CHAIN, ROLLER
671	601 00 14-38	FLATWASHER .765X1.12X.06
673	601 00 17-46	BUSHING, WHEEL
675	601 00 16-56	TIRE & RIM
676	601 00 15-39	SCREW, 1/4-20X1.75
677	601 00 00-62	NUT, 1/4-20 RGHXCTRLK
678	601 00 15-40	RING, RETAINING
679	601 00 15-41	PIN, KLIK .25 X 1.38 DIA

## HEADLIGHT ASSEMBLY

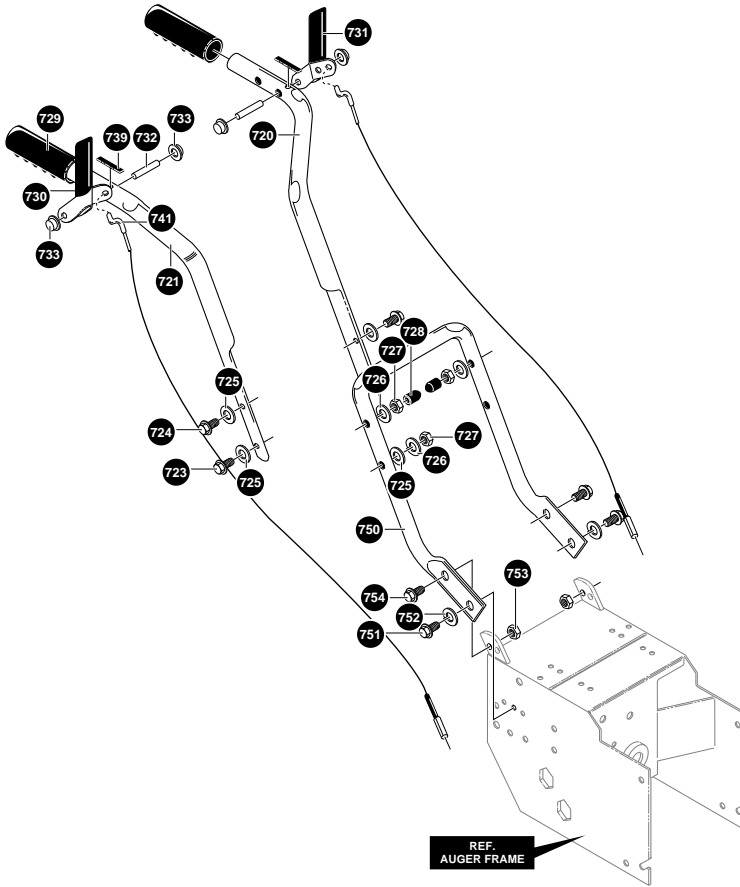


334082A

REF NO.	PART NO.	PART NAME
620	601 00 16-48	HOUSING, LIGHT
621	601 00 16-49	HEADLIGHT, ASSY
624	601 00 16-50	WIRE HARNESS, HDLIGHT
625	601 00 06-28	TIE, CABLE
626	601 00 16-51	BRACKET, LIGHT PANEL
627	601 00 16-24	SCREW, #8X .75

# 27" SNOWTHROWER MODEL ST 927E

## HANDLE ASSEMBLY

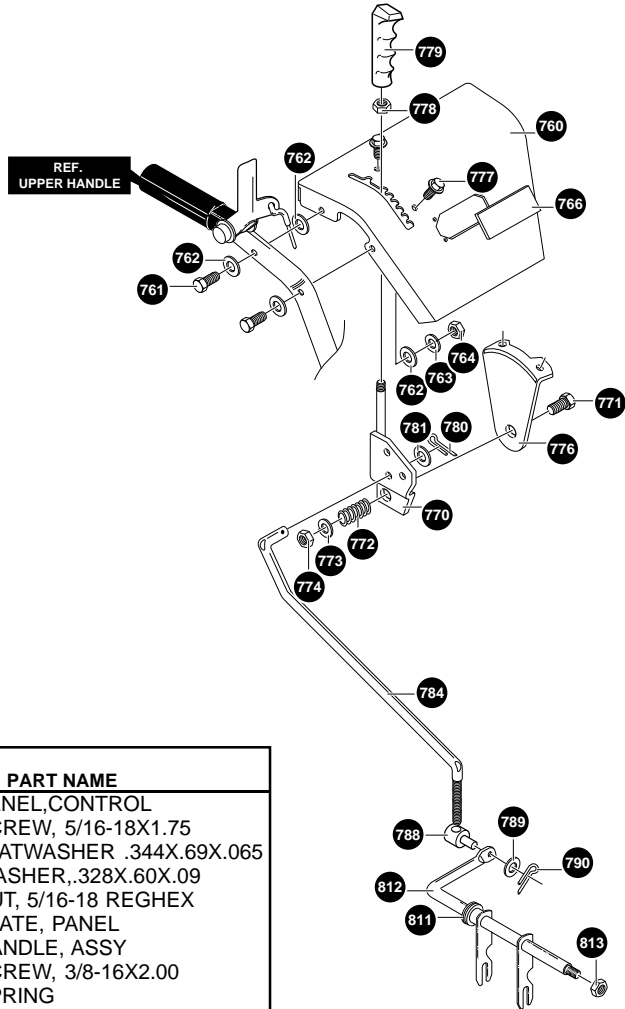


334394 E

REF NO.	PART NO.	PART NAME
720	601 00 15-42	HANDLE, UPPER LH
721	601 00 15-43	HANDLE, UPPER RH
723	601 00 15-55	SCREW, 3/8-16X2.00
724	601 00 15-44	SCREW, 3/8-16X3.00
725	601 00 00-20	FLATWASHER .406X .81X.065
726	601 00 00-15	WASHER, .393X.68X.10
727	601 00 00-60	NUT, 3/8-16
728	601 00 15-45	STOP, PLASTIC
729	601 00 15-46	GRIP, HANDLE
730	601 00 20-44	HANDLE-CLUTCH
731	601 00 20-45	HANDLE, ASSY CL LH
732	601 00 15-49	PIN, PIVOT
733	601 00 05-16	NUT, PUSH ON CAP
739	601 00 16-57	BUMPER, RECT
741	601 00 16-58	CABLE, CLUTCH
750	601 00 15-54	HANDLE, LOWER
751	601 00 05-20	SCREW, 5/16-18X .50
752	601 00 00-23	WASHER
753	601 00 00-59	NUT, 5/16-18
754	601 00 05-20	SCREW, 5/16-18X .75

# 27" SNOWTHROWER MODEL ST 927E

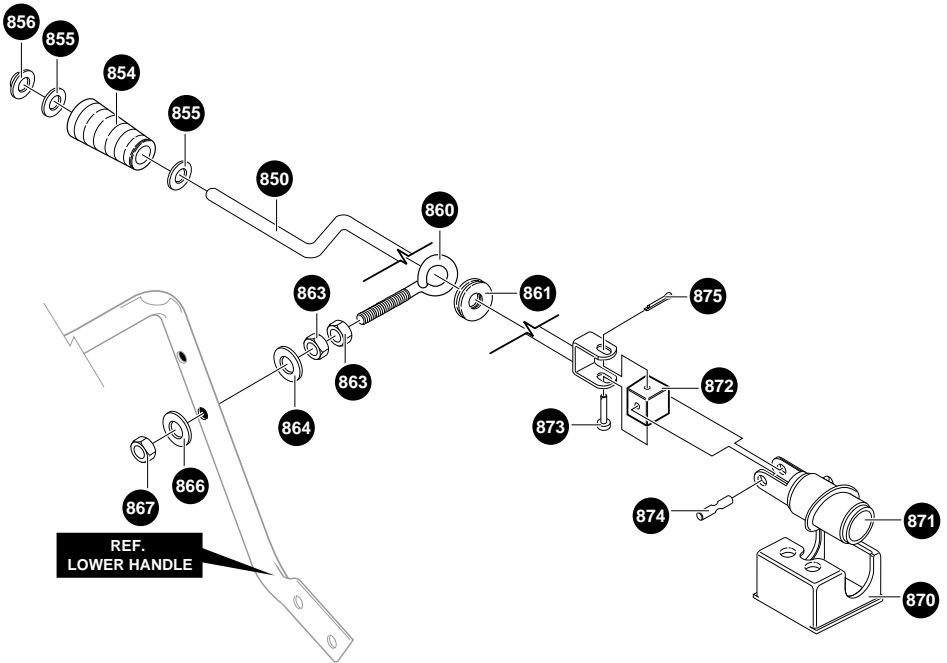
## CONTROL PANEL ASSEMBLY



REF NO.	PART NO.	PART NAME
760	601 00 18-91	PANEL, CONTROL
761	601 00 15-57	SCREW, 5/16-18X1.75
762	601 00 00-19	FLATWASHER .344X.69X.065
763	601 00 00-23	WASHER, .328X.60X.09
764	601 00 00-12	NUT, 5/16-18 REGHEX
766	601 00 21-70	PLATE, PANEL
770	601 00 15-59	HANDLE, ASSY
771	601 00 15-55	SCREW, 3/8-16X2.00
772	601 00 15-60	SPRING
773	601 00 00-20	FLATWASHER .406X.81X.065
774	601 00 06-53	NUT, 3/8-16
776	601 00 20-46	BRACKET
777	601 00 05-19	SCREW, 5/16-18X .50
778	601 00 00-60	NUT, 3/8-16
779	601 00 02-36	HANDLE 3/8-16
780	601 00 00-25	PIN, COTTER
781	601 00 00-19	WASHER, FLAT
784	601 00 15-62	ROD, SPEED CONTROL
788	601 00 15-63	NUT, TRUNNION
789	601 00 00-19	FLATWASHER .344X.69X.065
790	601 00 00-25	PIN, COTTER
811	601 00 15-64	BEARING, FLANGE
812	601 00 20-47	ROD, ASSY
813	601 00 00-60	NUT, 3/8-16

# 27" SNOWTHROWER MODEL ST 927E

## CHUTE CRANK ASSEMBLY

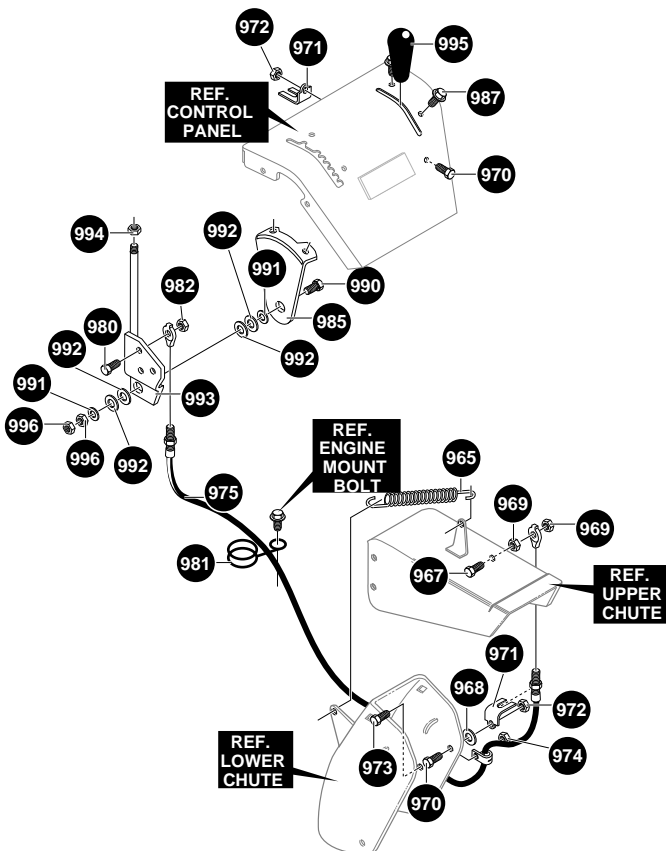


336677A

REF NO.	PART NO.	PART NAME
850	601 00 17-49	CRANK, ASSY
854	601 00 15-69	KNOB, SLEEVE
855	601 00 00-20	FLATWASHER .406X.81X.065
856	601 00 12-91	NUT, PUSH ON
860	601 00 15-70	BOLT, EYE
861	601 00 14-08	GROMMET, EYE BOLT
863	601 00 14-09	NUT 3/8-16
864	601 00 00-20	FLATWASHER .406X.81X.065
866	601 00 00-20	FLATWASHER .406X.81X.065
867	601 00 06-53	NUT, 3/8-16 HEXNYL
870	601 00 18-30	BRACKET, WORM MOUNT
871	601 00 18-31	WORM GEAR CHUTE ROT
872	601 00 20-53	BLOCK, UNIV PIV.
873	601 00 20-54	CLEVIS PIN
874	601 00 20-55	PIN, UNIV JOINT
875	601 00 18-35	COTTER PIN

# 27" SNOWTHROWER MODEL ST 927E

## DISCHARGE CHUTE ASSEMBLY



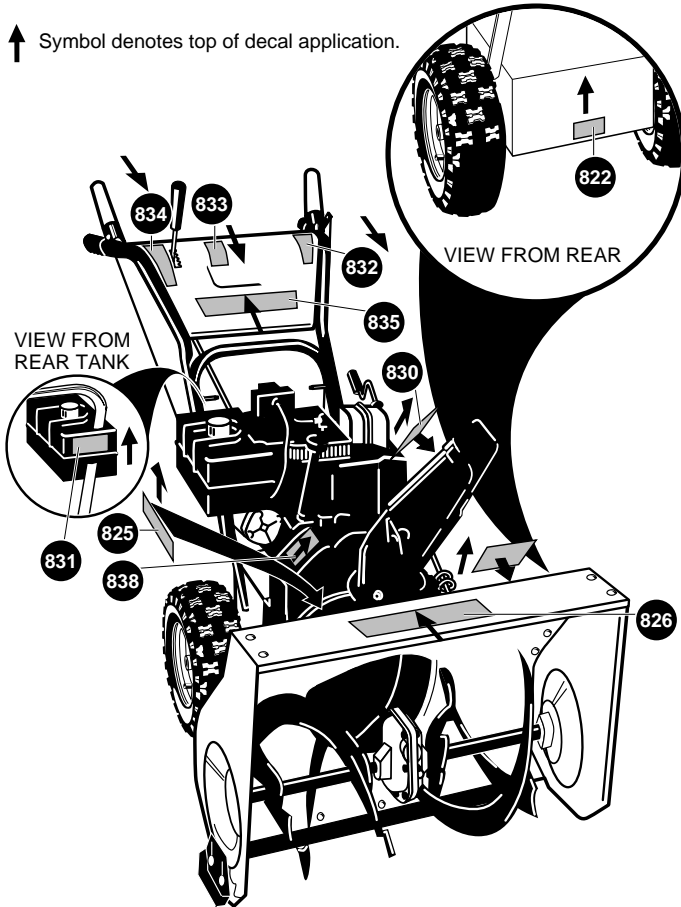
337609 E-2

REF NO.	PART NO.	PART NAME
965	601 00 16-38	SPRING, TENSION
967	601 00 16-39	SCREW, 1/4-20X1.00
968	601 00 00-19	FLATWASHER .344X .69X.065
969	601 00 00-62	NUT, 1/4-20 REGHEXCTRLK
970	601 00 00-73	SCREW, 5/16-18X .75
971	601 00 16-41	BRKT, CABLE
972	601 00 00-59	NUT, 5/16-18
973	601 00 05-14	SCREW, 10-24X.38
974	601 00 16-42	NUT, #10-24 HEXNYLLK
975	601 00 16-43	CABLE, CHUTE CONTROL
980	601 00 00-68	SCREW, 1/4-20X .75 HHC
981	601 00 16-45	WIRE, FORM
982	601 00 00-62	NUT, 1/4-20 REGHEXCTRLK
985	601 00 20-42	BRACKET, SPD CONTROL
987	601 00 05-19	SCREW, 5/16-18X .50
990	601 00 00-34	SCREW, 3/8-16X1.75
991	601 00 00-20	FLATWASHER .406X .81X.065
992	601 00 16-47	WASHER, SPRING
993	601 00 15-59	HANDLE, ASSY
994	601 00 00-60	NUT, 3/8-16
995	601 00 02-36	HANDLE 3/8-16
996	601 00 06-53	NUT, 3/8-16 HEXNYL



## DECALS

↑ Symbol denotes top of decal application.



334544F

REF NO.	PART NO.	PART NAME
822	601 00 15-75	DECAL, OVER ADJ OF DISC
824	601 00 15-76	DECAL, DANGER FOOT
825	601 00 15-77	DECAL, DUAL STAGE
826	601 00 21-71	DECAL, HUSQ ST927E
830	601 00 15-79	DECAL, DANGER FINGER
832	601 00 15-81	DECAL, TRACTION DRIVE
833	601 00 15-82	DECAL, SNOW CONDITIONS
834	601 00 15-83	DECAL, AUGER DRIVE
835	601 00 21-72	DECAL, CONTROL PANEL
838	601 00 15-85	DECAL, BELT ADJ