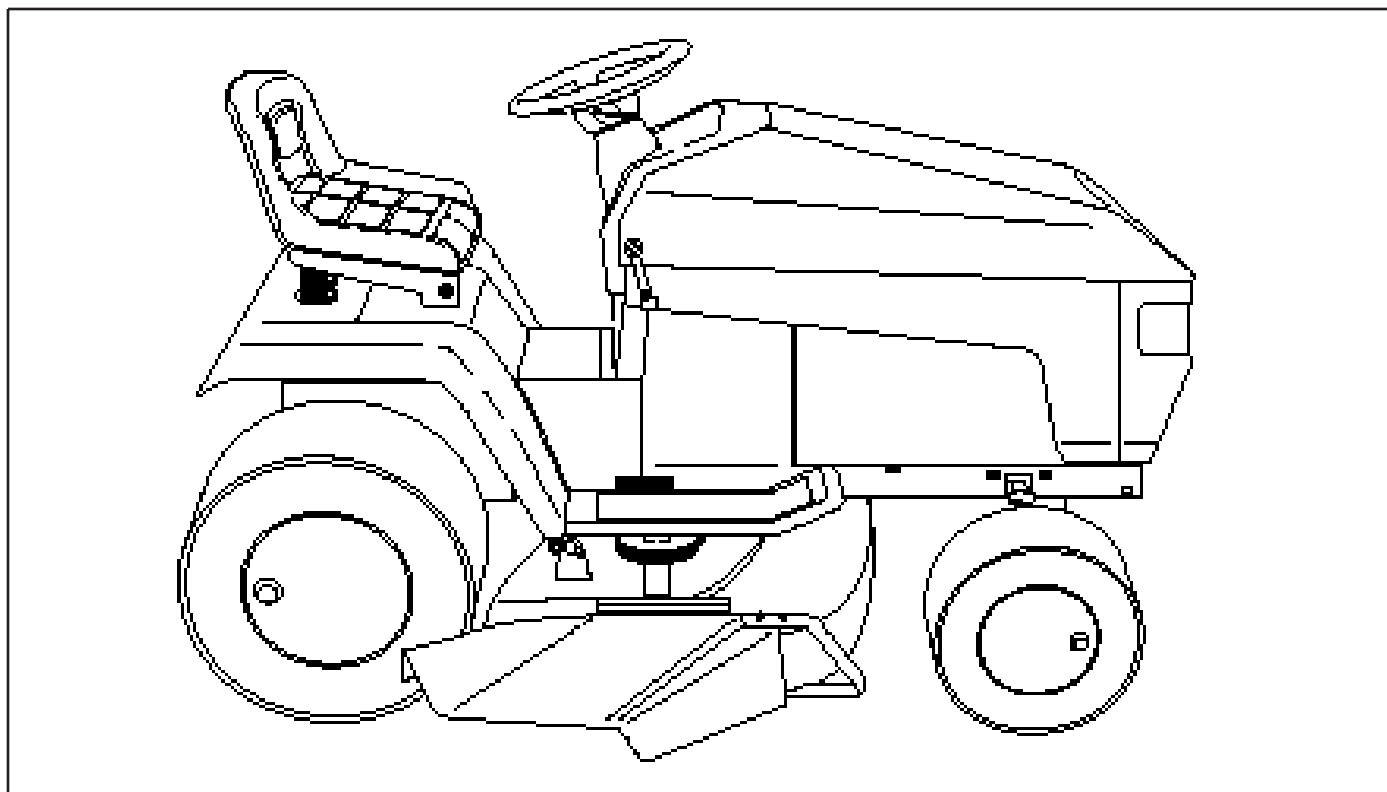


GTH 220



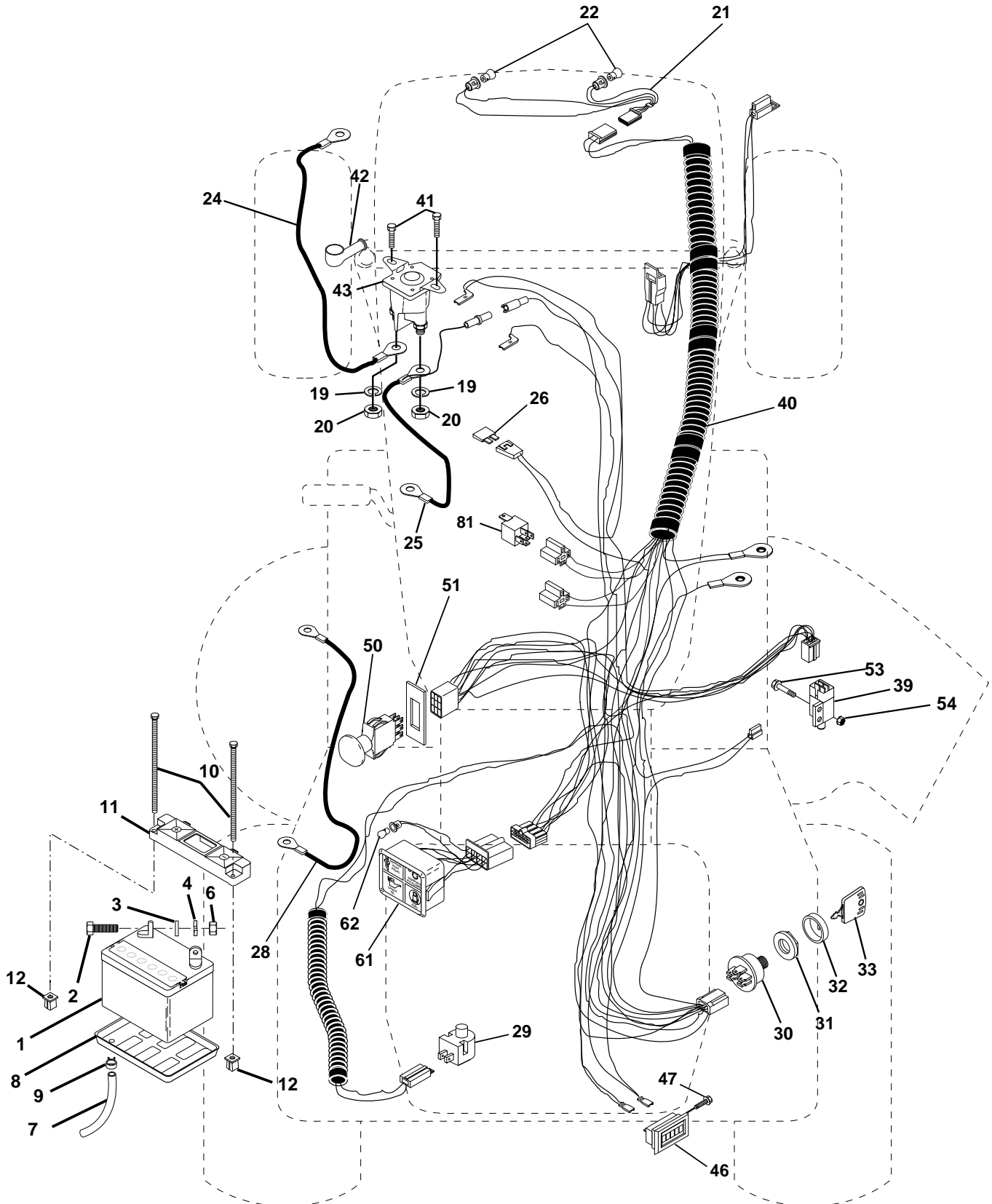
1.1997
Spare Parts

954 14 00-12A

REPAIR PARTS

TRACTOR - MODEL NO. GTH220 (954140012A)

ELECTRICAL



REPAIR PARTS

TRACTOR - MODEL NO. GTH220 (954140012A)

ELECTRICAL

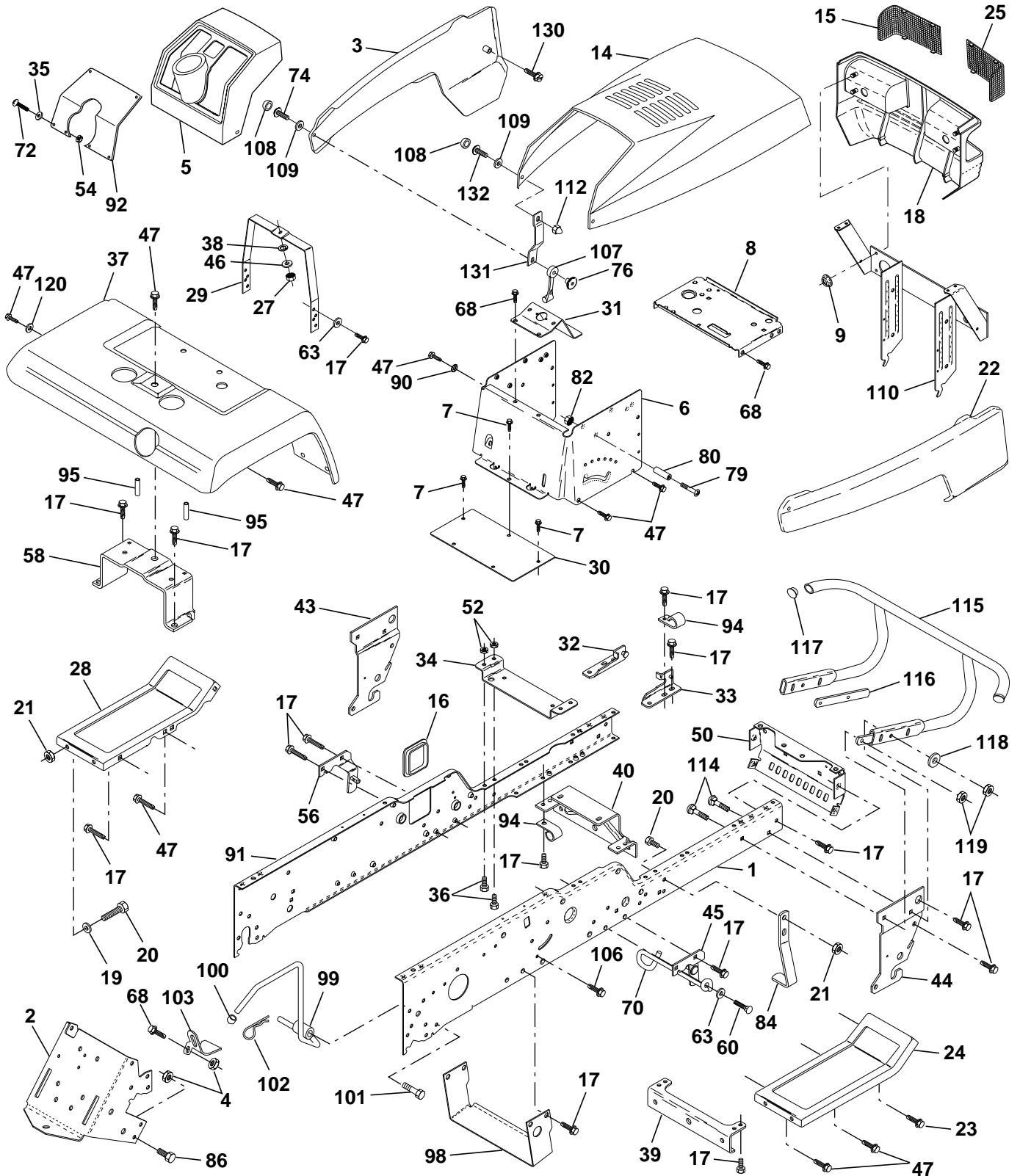
KEY NO.	PART NO.	DESCRIPTION
1	532 14 61-41	Battery
2	874 76 04-12	Bolt Hex Head 1/4-20 x 3/4
3	810 04 04-00	Washer, Lock 1/4
4	819 09 10-16	Washer 9/32 x 5/8 x 16 Ga
6	873 22 04-00	Nut Fin Hex 1/4-20
7	532 00 76-97	Tube Plastic
8	532 12 48-86	Tray, Battery
9	532 10 95-96	Clamp, Hose
10	532 14 52-11	Bolt, Btr Frt 1/4-20 x 7-1/2 Zinc
11	532 15 01-09	Holddown Battery Front Mount
12	532 14 57-69	Nut Push Nylon 1/4" Battery Frt.
19	810 09 04-00	Washer, Lock 1/4
20	873 35 04-00	Nut, Jam Hex 1/4-20
21	532 13 68-50	Harness Socket Light w/4152J
22	532 00 41-52	Bulb Light
24	532 00 40-14	Cable, Starter
25	532 14 66-86	Cable, Battery
26	532 10 88-24	Fuse
28	532 00 64-08	Cable, Ground
29	532 12 13-05	Switch, Plunger
30	532 14 03-01	Switch, Ign
31	532 12 42-11	Nut, Ignition Switch
32	532 14 12-26	Cover Switch Key
33	532 12 21-47	Key
39	532 10 95-53	Intlk Switch
40	532 15 61-60	Harness Ign.
41	817 72 04-08	Screw 1/4-20 x 1/2
42	532 13 15-63	Cover, Terminal Red
43	532 14 56-73	Solenoid
46	532 11 09-40	Meter Hour
47	817 01 10-08	Screw #10-24 x 1/2
50	532 15 49-59	Switch, PTO
51	532 14 04-05	Ring Retainer PTO
53	871 03 10-08	Screw Hex Washer Hd #10-32 x 1
54	873 95 10-00	Nut Keps #10-32
61	532 13 81-01	Light Pkg Asm
62	532 11 01-43	Bulb, Light Pkg.
81	532 10 97-48	Relay Asm.

NOTE: All component dimensions given in U.S. inches
1 inch = 25.4 mm

REPAIR PARTS

TRACTOR - MODEL NO. GTH220 (954140012A)

CHASSIS AND ENCLOSURES



REPAIR PARTS

TRACTOR - MODEL NO. GTH220 (954140012A)

CHASSIS AND ENCLOSURES

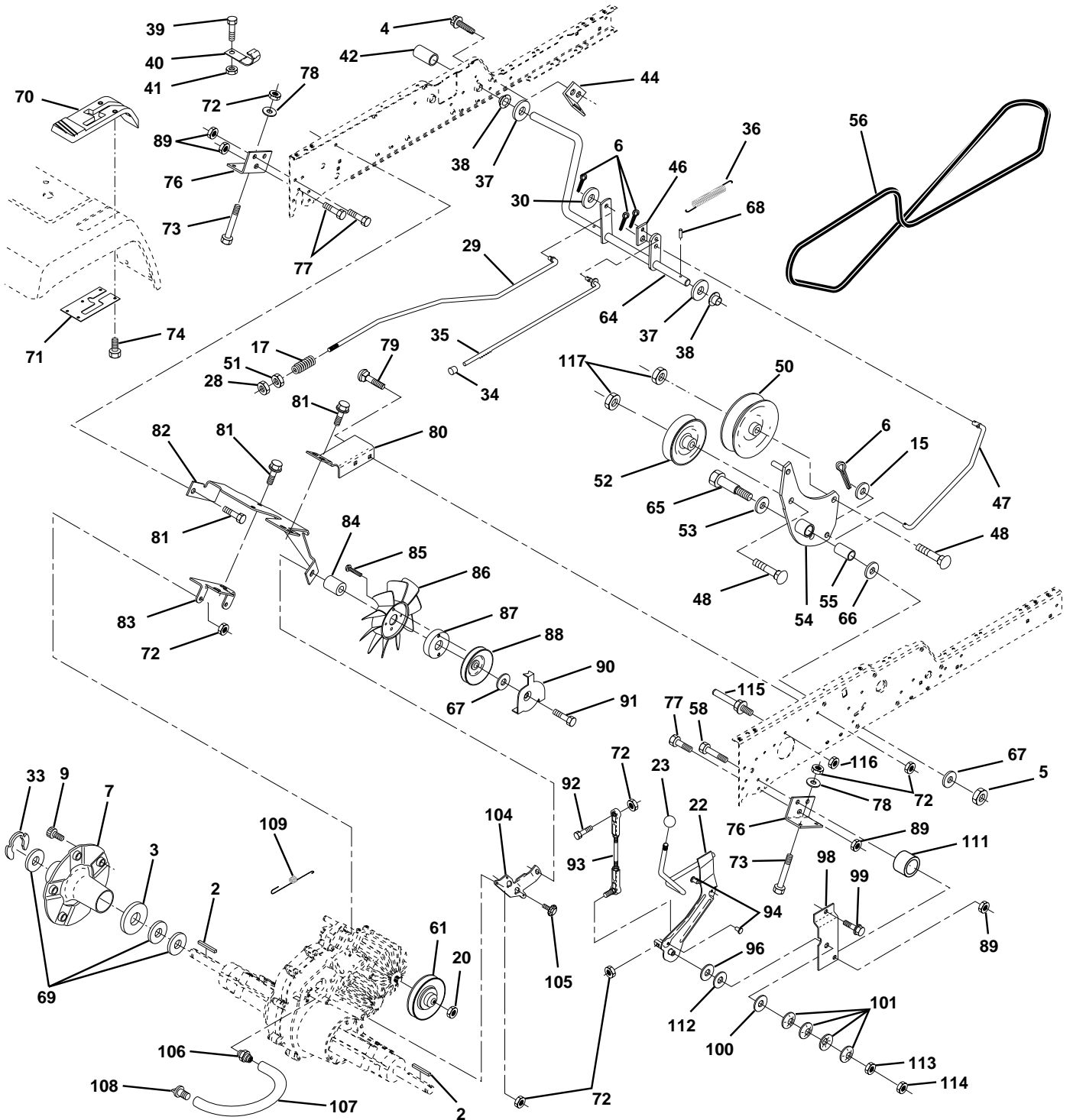
KEY NO.	PART NO.	DESCRIPTION	KEY NO.	PART NO.	DESCRIPTION
1	532 15 02-53	Rail, Frame RH	56	532 15 49-14	Bracket Asm., Susp Chassis Lh
2	532 14 05-06	Drawbar, Gt	58	532 13 71-13	Bracket Asm., Fender
3	532 15 04-78	Panel Asm., Side LH	60	817 49 06-20	Screw Thdrol 3/8-16 x 1-1/4
4	873 80 07-00	Nut, Lock Hex 7/16 Unc	63	819 13 16-14	Washer 13/32 x 1 x 14 Ga.
5	532 14 04-52	Dash, Plastic Black	68	817 49 05-08	Screw, Thdrol 5/16-18 x 1/2
6	532 15 02-73	Dash 1-PCS, Lower	70	532 13 71-59	Guide, Belt Mid Span
7	817 72 04-08	Screw, Thd Cut 1/4-20 x 1/2	72	874 18 05-12	Screw, Mach Trhd 5/16-18 x 3/4
8	532 14 51-66	Support, Battery	74	874 19 10-08	Screw, Machine #10-24
9	532 10 80-67	Nut Pal	76	532 12 50-04	Nut, Weld #10-24
14	532 15 04-77	Hood Asm., Pnt	79	874 98 10-20	Screw, Machine #10-24 x 1/4
15	532 15 70-68	Lens, Headlight LH	80	532 00 72-06	Spacer, Split
16	532 12 17-94	Cover, Access	82	873 73 10-00	Nut #10-24
17	817 49 06-12	Screw, Thdrol 3/8-16 x 3/4	84	532 14 29-92	Stop, Over Center 44" 20/23" T. 94
18	532 15 72-36	Grille	86	874 76 07-16	Bolt, Fin Hex 7/16-14 Unc x 1
19	819 13 13-12	Washer 13/32 x 13/16 x 12 Ga.	90	811 05 06-00	Washer, Lock External Tooth 3/8
20	874 76 06-16	Bolt, Fin Hex 3/8-16 x 1	91	532 15 08-51	Rail, Frame Lh
21	873 68 06-00	Nut, Crownlock 3/8-16 Unc	92	532 15 72-21	Plate, Silkscreen Dash
22	532 15 04-79	Panel Asm., Side RH	94	532 10 02-07	Clip, Fuel Line
23	817 49 06-16	Screw Thdrol. 3/8-16 x 1 Ty-TT	95	532 10 55-31	Push Nut, Nylon
24	532 14 72-02	Footrest, RH	98	532 14 05-03	Bracket Chassis Skid
25	532 15 70-69	Lens Headlight RH	99	532 14 08-71	Rod Asm. Bypass
27	873 22 04-00	Nut Fin Hex 1/4-20	100	532 12 42-36	Cap Brake Parking Red
28	532 14 72-03	Footrest, LH	101	817 49 06-28	Screw Thdrol. 3/8-16 x 1-3/4
29	532 14 52-05	Bracket, Support Dash	102	532 12 47-88	Retainer Spring 1"
30	532 14 50-52	Saddle	103	532 14 22-73	Bracket Lock Bypass
31	532 14 51-83	Brace, Support Steering	106	532 13 87-76	Screw Thdrol. Hex Hd Zinc Mur
32	532 14 13-15	Bracket Asm., Frame Pivot Lh	107	532 10 98-08	Latch, Chute Blk
33	532 14 13-14	Bracket Asm., Frame Pivot Rh	108	532 11 03-56	Cap, Snap Black
34	532 14 21-31	Bracket, Engine Support Rear	109	532 11 03-57	Cap, Washer Snap
35	819 11 11-16	Washer 11/32 x 11/16 x 16 Ga.	110	532 15 02-00	Pivot Asm. Grille/Hood Husq. VGT
36	874 78 05-12	Bolt, Fin Hex 5/16-18 x 3/4	112	532 06 08-67	Nut, Acorn, Hex #10-24
37	532 14 14-49	Fender, Pnt.	114	872 14 06-10	Bolt, Carriage 3/8-16 x 1-1/4
38	810 04 04-00	Washer, Lock 1/4	115	532 15 03-00	Bumper Asm.
39	532 13 69-61	Bracket, Axle Front	116	532 14 14-61	Bracket Extension Bumper
40	532 14 21-32	Bracket, Support Axle/Engine	117	532 14 36-79	Plug Plastic
43	532 13 69-39	Bracket, Spnsn Front Lh	118	819 13 13-16	Washer 13/32 x 13/16 x 16 Ga.
44	532 13 69-40	Bracket, Spnsn Front Rh	119	873 68 06-00	Nut Crownlock 3/8-16 UNC
45	532 15 49-13	Bracket Asm., Susp Chassis Rh	120	819 13 16-16	Washer 13/32 x 1 x 16 Ga.
46	819 09 12-16	Washer 9/32 x 3/4 x 16 Ga.	130	817 52 13-12	Screw, SLTD Hex Hd. W/PI Washer
47	817 49 06-08	Screw Thdrol 3/8-16 x 1/2	131	532 15 01-95	Bracket Support Hood/Panel YP
50	532 15 27-28	Bracket, Chassis Front	132	874 29 10-06	Screw Truss Hd. #10-24 x 3/8
52	873 80 05-00	Locknut, Hex W/Ins 5/16-18 Unc	--	532 12 50-85	Plug, Hole
54	873 51 05-00	Nut 5/16-18			

NOTE: All component dimensions given in U.S. inches
1 inch = 25.4 mm

REPAIR PARTS

TRACTOR - MODEL NO. GTH220 (954140012A)

GROUND DRIVE



REPAIR PARTS

TRACTOR - MODEL NO. GTH220 (954140012A)

GROUND DRIVE

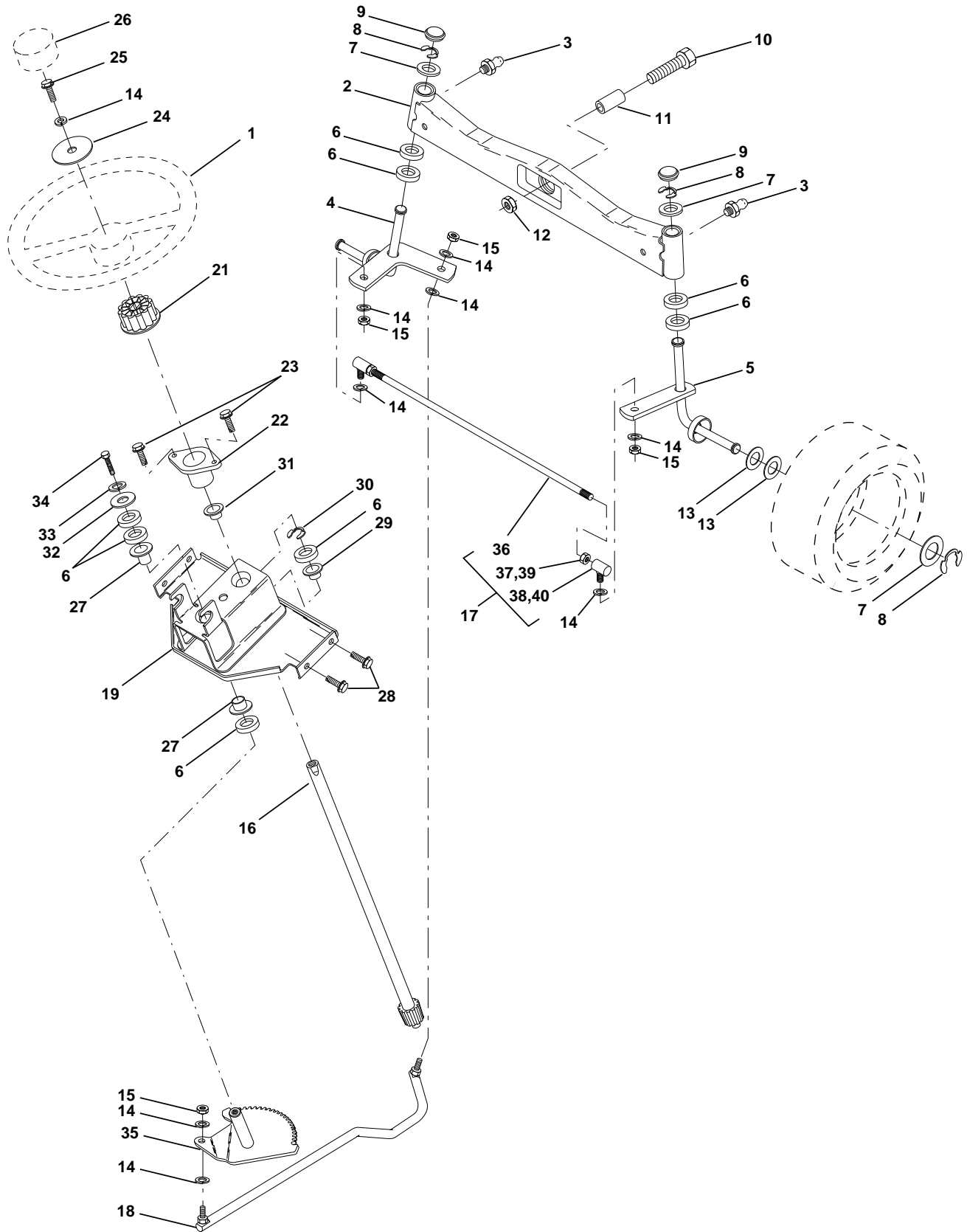
KEY NO.	PART NO.	DESCRIPTION	KEY NO.	PART NO.	DESCRIPTION
2	532 00 70-70	Key 1/4 x 2.5	69	532 12 38-00	Washer
3	532 00 75-63	Washer Thrust Axle Harden	70	532 15 11-46	Console Hydro Fender
5	873 68 06-00	Nut Crownlock 3/8-16	71	532 15 11-79	Plate Console Shift
6	876 02 04-12	Pin Cotter 1/8 x 3/4	72	873 80 05-00	Locknut Hex W/Washer Insert
7	532 14 05-07	Wheel Hub Asm.	73	874 78 05-48	Bolt Fin Hex 5/16-18 x 3
9	532 14 00-80	Bolt Hub	74	532 14 24-32	Screw, Hex Wsh Hi-Lo 1/4-1/2
15	819 13 13-16	Washer 13/32 x 13/16 x 16 Ga.	75	873 80 07-00	Nut Lock Hex 7/16
17	532 14 09-21	Spring Rod Brake	76	532 14 04-81	Bracket Transaxle
20	873 94 08-00	Nut Hex Jam Toplock 1/2-20	77	874 76 07-16	Bolt Fin Hex 7/16-14 x 1
22	532 14 04-98	Shaft Arm Asm	78	819 11 12-12	Washer 11/32 x 3/4 x 12 Ga.
23	532 14 08-45	Knob	79	872 11 05-05	Bolt Carriage 5/16-18 x 5/8
28	873 35 06-00	Nut, Hex Jam 3/8-16	80	532 14 04-84	Bracket Torque RH
29	532 14 04-94	Brake Rod	81	817 49 06-12	Screw Thdrol 3/8-16 x 3/4
30	819 13 16-16	Washer 13/32 x 1 x 16Ga	82	532 15 05-86	Bracket Mount Torque/Fan
32	873 22 07-00	Nut Hex 7/16-14	83	532 14 04-79	Strap Torque Mid
33	812 00 00-53	Ring E	84	532 14 04-90	Spacer
34	532 07 16-73	Cap Plunger	85	817 54 10-20	Screw #10-24 x 1-1/4
35	532 13 76-48	Rod Parking Brake	86	532 14 04-62	Fan 7" Hydro
36	532 14 94-12	Spring Drive Ground	87	532 14 04-91	Adapter Fan
37	532 12 17-49	Washer 25/32 x 1-1/4 x 16 Ga.	88	532 14 04-92	Pulley Idler
38	532 15 00-35	Nyliner	89	873 68 07-00	Nut, Crownlock 7/16-14
39	874 32 10-16	Screw Fin #10-24 x 1	90	532 14 04-89	Keeper Belt
40	532 00 53-04	Actuator Interlock Switch	91	817 49 06-44	Screw Thdrol 3/8-16 x 2-3/4
41	873 63 10-00	Nut Lock #10-24	92	874 76 05-20	Bolt Fin Hex 5/16-18 x 1.75
42	532 12 35-33	Cover Pedal	93	532 14 05-02	Link Shift Asm
43	874 76 04-12	Bolt Hex Head 1/4-20 x 3/4	94	532 13 38-35	Fastner Christmas Tree
44	532 10 46-01	Bracket Interlock	95	823 20 05-28	Screw Set 5/16-18 x 1.75
45	873 80 04-00	Nut Lock W/Insert 1/4-20	96	532 14 11-03	Washer Nickel Plated
46	532 14 51-70	Retainer Spring	97	532 12 68-74	Bearing Trust
47	532 13 82-28	Clutch Rod	98	532 14 10-04	Bracket Shift
48	872 11 06-14	Bolt Carriage 3/8-16 x 1-3/4 Gr. 5	99	817 49 06-24	Screw Thdrol 3/8-16 x 1-1/2
49	819 13 14-13	Washer 13/32 x 7/8 x 13 Ga	100	532 12 68-81	Washer Compression
50	532 13 14-94	Pulley Idler Flat	101	532 05 92-85	Washer Bellville
51	873 80 06-00	Nut Lock Hex 3/8-16	102	873 56 05-00	Nut Hex Nylok
52	532 13 91-23	Pulley Idler Grooved	103	873 35 05-00	Nut Hex Jam 5/16-18
53	532 00 02-07	Washer Hardened	104	532 14 04-80	Bracket Idler
54	532 13 83-90	Clutch Arm Asm	105	817 58 04-08	Screw Tap 1/4-20 x 1/2
55	532 10 57-06	Bearing, Idler	106	532 14 29-18	O-Ring Asm. Hydro Gear
56	532 14 02-18	V-Belt	107	532 15 47-39	Line Fuel Hydro
58	874 76 07-24	Bolt Fin Hex 7/16-14 x 1-1/2	108	532 14 29-17	Cap Vent
61	532 14 04-88	Pullery Transaxle	109	532 14 09-29	Spring Return Brake
64	532 15 47-52	Shaft Asm Brake Parking Clutch	113	873 56 05-00	Nut
65	532 06 76-09	Bolt Shoulder	114	873 22 05-00	Nut
66	532 14 02-96	Washer Hardened	115	532 12 34-05	Keeper Belt Gnd Dr.
67	819 13 13-12	Washer 13/32 x 13/16 x 12 Ga	116	873 90 05-00	Nut Lock Hex Flange 5/16-18
68	532 00 51-42	Pin Roll	--	532 15 00-73	Transaxle Hydro

NOTE: All component dimensions given in U.S. inches
1 inch = 25.4 mm

REPAIR PARTS

TRACTOR - MODEL NO. GTH220 (954140012A)

STEERING ASSEMBLY



REPAIR PARTS

TRACTOR - MODEL NO. GTH220 (954140012A)

STEERING ASSEMBLY

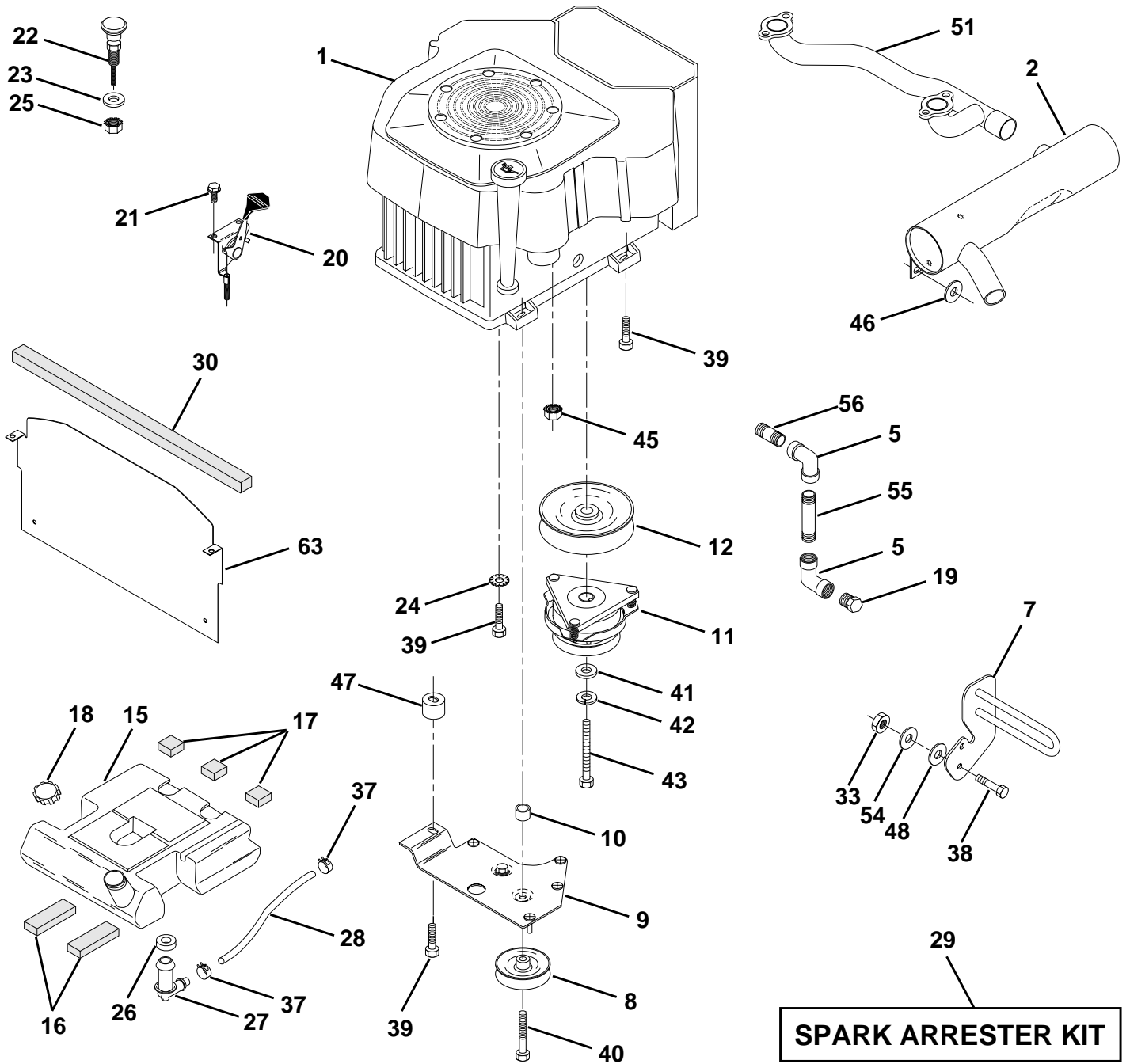
KEY NO.	PART NO.	DESCRIPTION
1	532 12 44-15	Wheel, Steering
2	532 13 70-94	Axle Asm., Front
3	532 12 48-36	Fitting, Grease
4	532 13 69-60	Spindle Asm, LH
5	532 13 69-59	Spindle Asm., RH
6	532 12 49-31	Bearing, Race Thrust Harden
7	532 12 17-48	Washer 25/32 x 1-5/8 x 16 Ga.
8	812 00 00-29	Ring, Klip #T5304-75
9	532 12 12-32	Cap, Spindle
10	874 78 10-44	Bolt, Fin Hex 5/8-11 x 2-3/4
11	532 13 65-18	Spacer, Brg. Axle Front
12	873 90 10-00	Nut, Lock Flange 5/8-11 Unc
13	532 12 17-49	Washer 25/32 x 1-1/4 x 16 Ga.
14	810 04 06-00	Washer, Lock Hvy Hlcl Spr 3/8
15	532 12 47-01	Nut, Lock Center 3/8-24 Unf
16	532 14 51-03	Shaft Asm., Steering
17	532 13 73-47	Rod Asm., Tie Ball J Ball Vgt (Inc. Key No. 36-40)
18	532 13 71-55	Draglink, Ball Joint Solid Vgt
19	532 14 66-11	Support Asm., Steering Vgt
21	532 10 07-11	Adapter, Wheel Steering
22	532 15 51-05	Bushing, Strg.
23	532 15 29-27	Screw
24	819 13 38-08	Washer 13/32 x 2-3/8 x 8 Ga.
25	874 78 06-16	Bolt, Fin Hex 3/8-16 x 1 Gr. 5
26	532 12 44-16	Cap, Wheel Steering
27	532 12 49-37	Bearing, Col. Strg.
28	817 49 06-12	Screw Thdrol 3/8-16 x 3/4
29	532 10 42-39	Bearing, Flange
30	812 00 00-34	Ring, Klip Truarc #5304-75
31	532 13 81-36	Bushing, Nyliner Snap
32	819 11 16-10	Washer 11/32 x 1 x 10 Ga.
33	810 04 05-00	Washer, Lock Hvy Hlcl Spr 5/16
34	874 76 05-12	Bolt, Hex Hd 5/16-18 x 3/4
35	532 13 80-59	Gear, Sector Steering
36	532 13 71-56	Tie Rod
37	873 36 06-00	Jam Nut RH Thread
38	532 10 98-50	Joint Asm. Ball RH Thread
39	873 70 06-00	Jam Nut LH Thread
40	532 10 98-51	Joint Asm. Ball LH Thread

NOTE: All component dimensions given in U.S. inches
1 inch = 25.4 mm

REPAIR PARTS

TRACTOR - MODEL NO. GTH220 (954140012A)

ENGINE



REPAIR PARTS

TRACTOR - MODEL NO. GTH220 (954140012A)

ENGINE

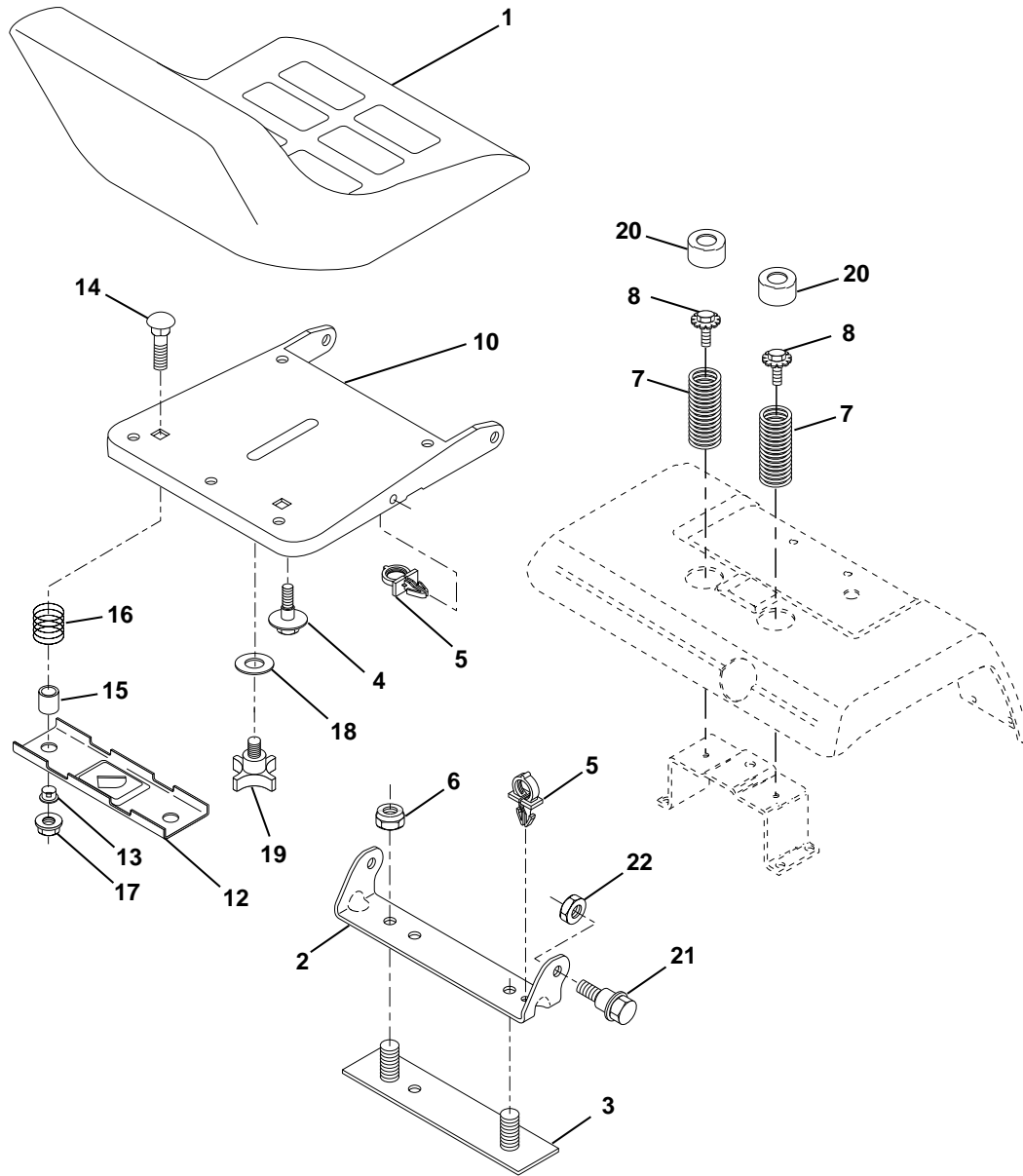
KEY NO.	PART NO.	DESCRIPTION
1	-----	Engine Kohler, Model No. CV22S
2	532 14 46-36	Muffler VGT Cylinder
5	813 20 03-00	Elbow STD 90 Degree 3/8-18 NPT
7	532 15 13-96	Muffler Assembly Guard
8	532 12 13-61	Pulley V-Idler
9	532 15 08-28	Keeper Asm Belt Engine VGT 96
10	532 10 54-32	Bushing
11	532 14 09-23	Clutch Electric
12	532 14 39-96	Pulley Engine VGT Elect Clutch
15	532 15 13-46	Tank Fuel Rear
16	532 10 92-27	Pad Spacer
17	532 10 60-82	Pad Spacer
18	532 14 05-27	Cap Asm Fuel W/Sym Vented
19	813 29 03-00	Plug Oil Drain (Order From Engine Manufacturer)
20	532 13 27-47	Control Throttle
21	817 72 04-10	Screw Hex Thd Cut 1/4-20 X 5/8
22	532 13 27-81	Control Choke
23	819 13 13-16	Washer 13/32 X 13/16 x 16 Ga
24	811 05 06-00	Washer Ext Tooth 3/8
25	873 92 06-00	Nut Keps 3/8 - 24 UNF
26	532 12 49-52	Bushing
27	532 13 92-77	Stem Tank Fuel
28	532 12 47-03	Fuel Line
29	532 13 29-20	Spark Arrester Kit
30	532 10 50-37	Strip Foam 18"
33	873 80 06-00	Nut, Hex W/Ins. 3/8-16 UNC
37	532 12 34-87	Clamp Hose
38	874 78 06-24	Bolt, Fin Hex 3/8-16 UNC x 1-1/2
39	817 49 06-36	Screw TT 3/8-16 x 2-1/4 UNC
40	817 49 06-64	Screw TT 3/8-16 x 4 UNC
41	532 12 61-97	Washer 1-1/2 OD X 15/32 ID X .250
42	810 04 07-00	Washer Lock 7/16
43	532 15 02-80	Bolt Hex 7/16-20 X 4-1/4 Ga 5
45	532 12 88-61	Nut Flange 1/4-20 Starter Nut
46	819 13 16-16	Washer 13/32 x 1 x 16 Ga.
47	532 14 20-40	Spacer Engine
48	819 13 20-07	Washer 13/32 x 1-1/4 x 7 Ga.
51	532 14 07-87	Pipe Crossover
54	819 13 14-14	Washer Flat 13/32 x 7/8 x 14 Ga.
55	813 09 03-36	Nipple, Pipe 3/8 NPT x 4-1/2
56	813 09 03-08	Nipple, Pipe 3/8 NPT x 1.00
63	532 14 55-49	Shield, Heat VGT YP/Husq.

NOTE: All component dimensions given in U.S. inches
1 inch = 25.4 mm

REPAIR PARTS

TRACTOR - MODEL NO. GTH220 (954140012A)

SEAT ASSEMBLY



KEY NO.	PART NO.	DESCRIPTION
1	532 14 15-25	Seat
2	532 14 05-51	Bracket, Pivot Seat
3	532 14 06-75	Strap, Fender
4	532 12 70-18	Bolt, Shoulder 5/16-18 X .62
5	532 14 50-06	Clip, Push In Hinged
6	873 80 06-00	Nut, Lock Hex W/Ins. 3/8-16 Unc
7	532 12 41-81	Spring, Seat Cprsn
8	532 15 01-76	Bolt 5/16-18unc x 3/4 W/Sems
10	532 15 59-25	Pan, Seat
12	532 12 12-46	Bracket, Mounting Switch
13	532 12 12-48	Bushing, Snap

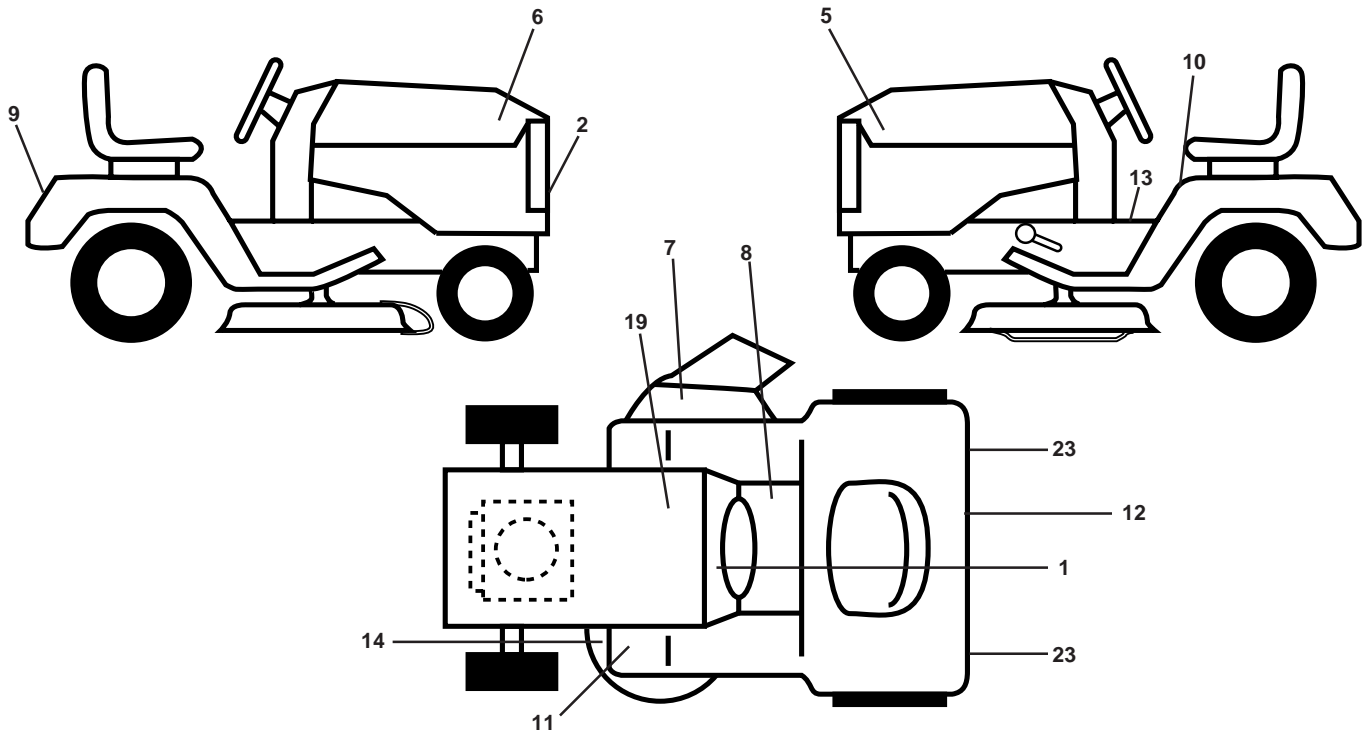
KEY NO.	PART NO.	DESCRIPTION
14	872 05 04-11	Bolt, Carriage 1/4-20 X 1-3/8
15	532 12 12-49	Spacer, Split
16	532 12 37-40	Spring, Cprsn
17	532 12 39-76	Nut, Lock 1/4 Lge Flg Gr. 5
18	819 17 19-12	Washer 17/32 X 1-3/16 X 12 Ga.
19	532 12 00-68	Knob, Seat 1/2-13 Unc
20	532 12 42-38	Cap, Spring Seat
21	532 15 32-36	Bolt, Shoulder 5/16-18 Unc-2A
22	873 68 05-00	Nut, Crownlock 5/16-18 Unc

NOTE: All component dimensions given in U.S. inches
1 inch = 25.4 mm

REPAIR PARTS

TRACTOR - MODEL NO. GTH220 (954140012A)

DECALS



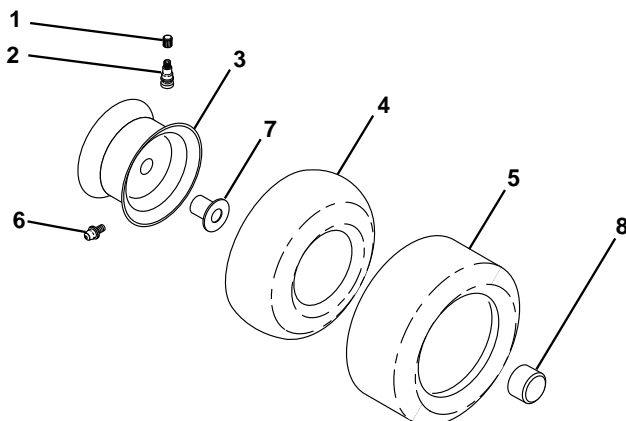
KEY NO.	PART NO.	DESCRIPTION
1	532 15 69-64	Decal, Operating Instruction
2	532 15 06-16	Decal, Grille Husqvarna
5	532 15 06-19	Decal, Inst Hood LH GTH220 Hydro
6	532 15 06-18	Decal, Inst Hood RH GTH220 Hydro
7	532 13 72-59	Decal, Warning Multi-Language
8	532 14 08-37	Decal, Brake Parking Saddle
9	532 14 06-17	Decal, Fender
10	532 15 71-40	Decal, Danger
11	532 10 18-92	Decal, Clutch/Brake
12	532 14 23-42	Decal, D-Bar Ctrl. Mvt Hyd YT/GT
13	532 14 23-37	Decal, Sdl Cold Start Hyd E/F
14	532 13 93-46	Decal, V-Belt Schematic
19	532 14 64-51	Decal, Battery
23	532 10 62-02	Reflector, Taillight

KEY NO.	PART NO.	DESCRIPTION
--	532 13 83-11	Decal, Handle Lft Height Adjust (Lift Handle)
--	532 14 52-46	Pad Ftrst Rbr Sq Generic 95
--	532 14 52-47	Fastener Pop-In Footrest (8 per)
--	532 15 71-44	Manual, Owner's (English)
--	532 15 71-47	Manual, Owner's (French)

Accessories not included with tractor:

--	SH10	Sleeve Hitch
--	TA128	Tire Chains
--	GBD48	Snow Blade
--	TA321	#55 Wheel Weights
--	EA20	Electric Assist Kit
--	GSB42	Snow Blower

WHEELS & TIRES



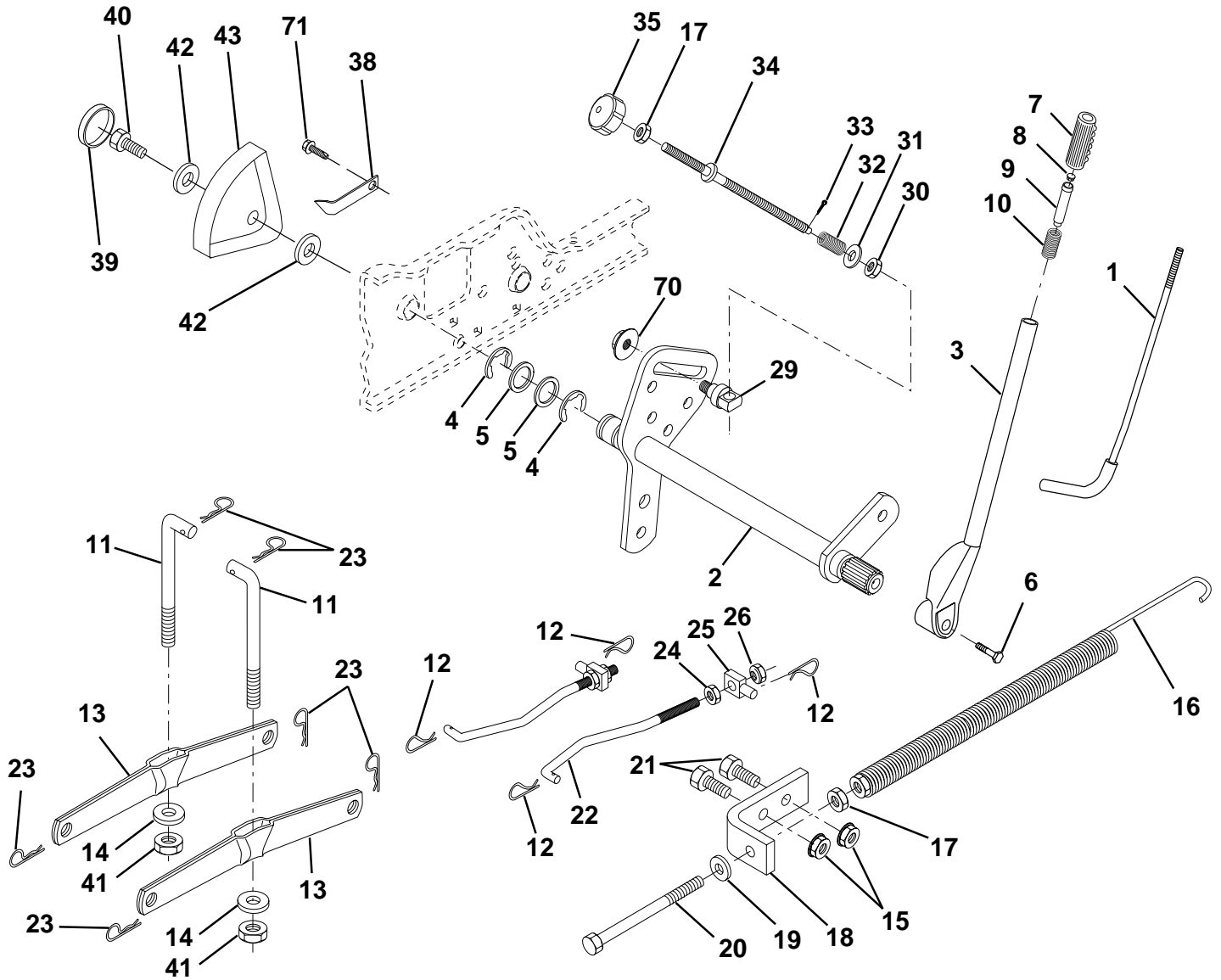
KEY NO.	PART NO.	DESCRIPTION
1	532 05 91-92	Cap, Valve, Tire
2	532 06 51-39	Stem, Valve
3	532 14 45-09	Rim Assembly, Front
	532 14 45-10	Rim Assembly, Rear
4	532 00 81-34	Tube, Front (Service Item Only)
	532 00 71-54	Tube, Rear (Service Item Only)
5	532 10 62-30	Tire, Front
	532 10 55-88	Tire, Rear
6	532 12 48-60	Fitting, Grease
7	532 12 49-59	Bearing, Flange (Front Wheel Only)
8	532 10 47-57	Cap, Hub, Axle Blk.
--	532 14 43-34	Sealant, Tire (10 oz. Tube)

NOTE: All component dimensions given in U.S. inches
1 inch = 25.4 mm

REPAIR PARTS

TRACTOR - MODEL NO. GTH220 (954140012A)

LIFT ASSEMBLY



REPAIR PARTS

TRACTOR - MODEL NO. GTH220 (954140012A)

LIFT ASSEMBLY

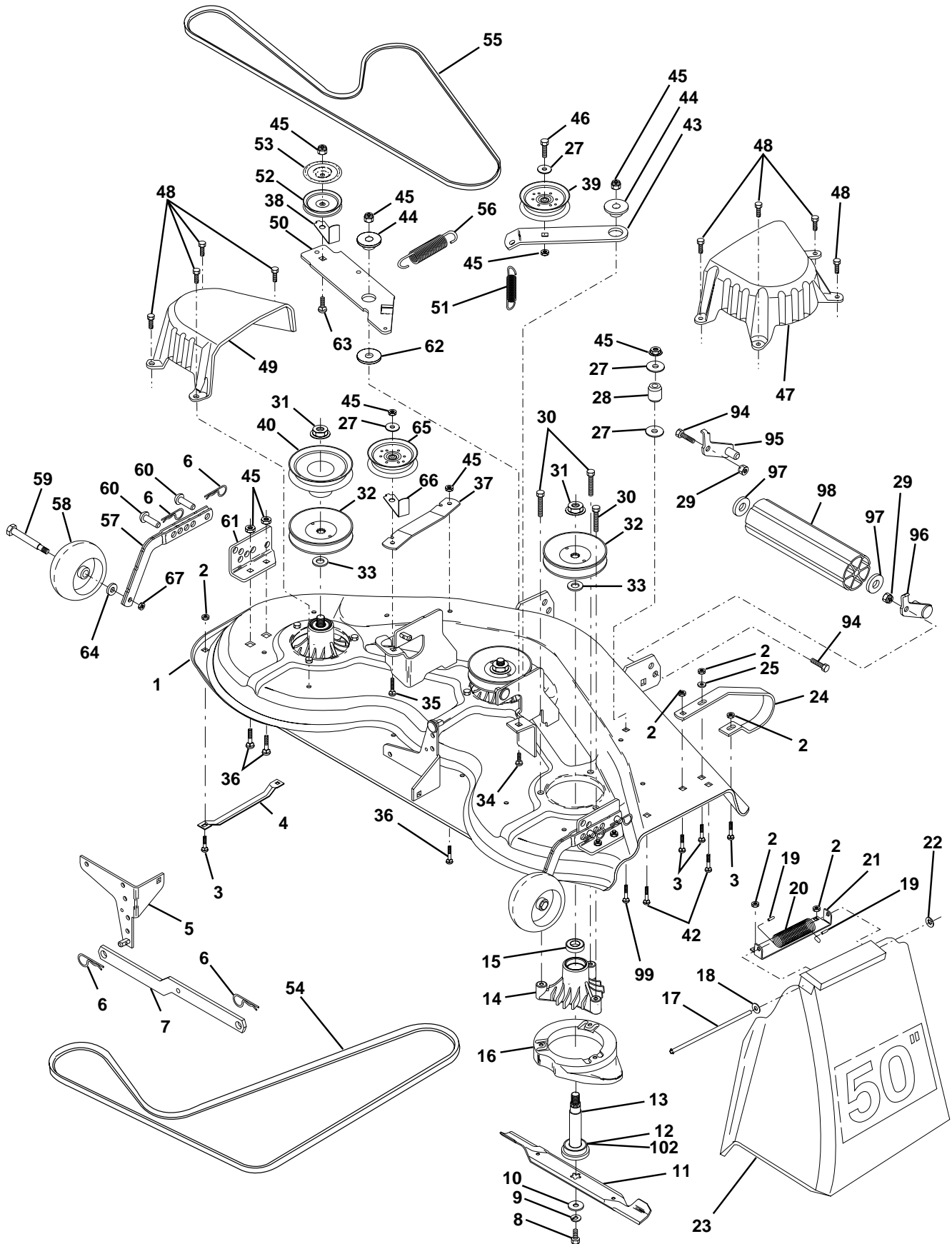
KEY NO.	PART NO.	DESCRIPTION
1	532 12 10-06	Rod Asm., Lever
2	532 15 43-89	Shaft Asm., Lift Vgt
3	532 12 10-02	Lever Asm., Lift Rh
4	812 00 00-22	E-Ring Truarc #5133-87
5	819 29 20-16	Washer 29/32 x 1-1/4 x 16 Ga.
6	874 78 06-24	Bolt, Fin Hex 3/8-16 x 1-1/2
7	532 12 56-31	Grip, Handle Fluted
8	532 12 45-26	Button, Plunger
9	532 12 23-64	Plunger, Lever Lift
10	532 12 48-74	Spring 2-1/8"
11	532 14 67-04	Link Lift
12	532 12 46-60	Retainer, Spring
13	532 13 98-68	Arm, Suspension Vgt
14	532 14 03-02	Bearing
15	873 68 06-00	Nut, Crownlock 3/8-16 Unc
16	532 12 46-87	Spring Asm., Assist Lift
17	873 35 06-00	Nut, Hex Jam 3/8-16 Unc
18	532 14 33-63	Bracket, Spring Assist
19	819 13 13-16	Washer 13/32 x 13/16 x 16 Ga.
20	532 00 53-28	Bolt, Adjust Spring Assist
21	874 76 06-16	Bolt, Fin Hex 3/8-16 x 1
22	532 12 72-18	Link, Front
23	532 12 46-70	Retainer, Spring
24	873 35 08-00	Nut, Jam Hex 1/2-13 Unc
25	532 13 01-71	Trunnion
26	873 80 08-00	Nut, Lock W/Wsh 1/2-13 Unc
29	532 15 02-33	Trunnion, Infin Height
30	532 11 08-07	Nut, Special
31	819 13 10-16	Washer 13/32 x 5/8 x 16 Ga.
32	532 13 71-50	Spring, Compression Inf Hgt
33	876 02 03-08	Pin, Cotter 3/32 x 1/2
34	532 13 71-67	Rod, Adj Lift
35	532 13 80-57	Knob, Inf 3/8-16 Unc
36	817 49 06-12	Screw, Thdrol 3/8-16 x 3/4
37	532 12 05-29	Washer, Nylon
38	532 13 83-46	Pointer, Pnt Height Indicator
39	532 12 39-35	Plug, Hole
40	817 49 05-12	Screw Thdrol 5/16-18 x 3/4
41	873 54 06-00	Nut, Crownlock 3/8-24
42	819 11 24-10	Washer 11/32 x 1-1/2 x 10 Ga.
43	532 12 39-34	Scale, Indicator Height
70	532 14 52-12	Nut Hex Flange Lock

NOTE: All component dimensions given in U.S. inches
1 inch = 25.4 mm

REPAIR PARTS

TRACTOR - MODEL NO. GTH220 (954140012A)

MOWER DECK



REPAIR PARTS

TRACTOR - MODEL NO. GTH220 (954140012A)

MOWER DECK

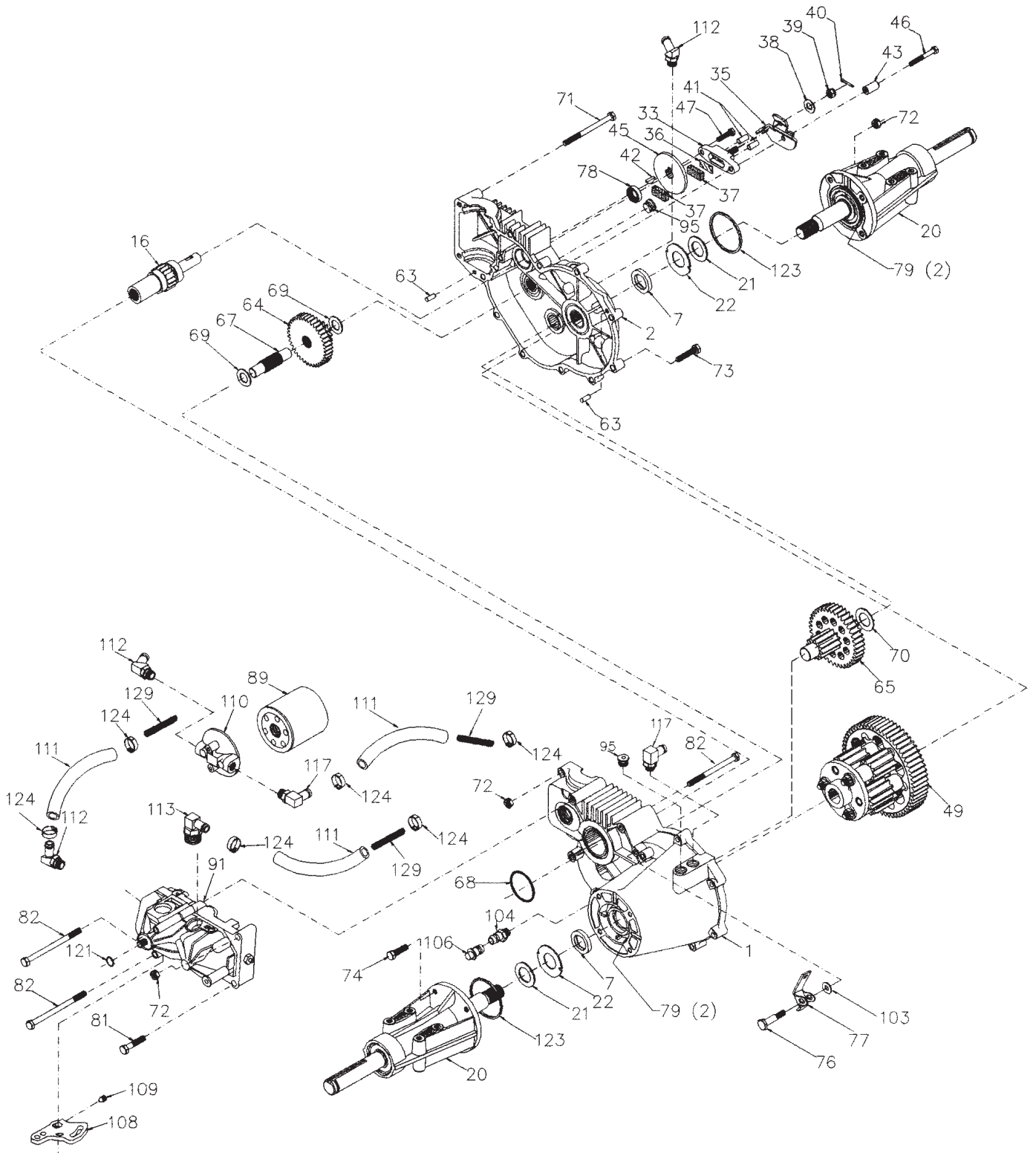
KEY NO.	PART NO.	DESCRIPTION	KEY NO.	PART NO.	DESCRIPTION
1	532 13 64-57	Deck Asm., Mower 50" Vented	42	872 14 05-06	Bolt, Carriage 5/16-18 Unc x 3/4
2	873 68 05-00	Nut, Crownlock 5/16-18 Unc	43	532 13 64-60	Arm, Idler Secondary
3	872 11 05-06	Bolt, Carriage 5/16-18 x 3/4	44	532 12 20-52	Spacer, Retainer
4	532 12 50-74	Runner, Mower LH	45	873 68 06-00	Nut, Crownlock 3/8-16 Unc
5	532 13 84-57	Bracket Asm., Sway Bar	46	874 76 06-28	Bolt, Fin Hex 3/8-16 Unc x 1-3/4
6	532 12 46-70	Retainer, Spring	47	532 13 72-00	Cover, Mandrel RH
7	532 13 08-32	Arm Suspension, Rear	48	532 13 77-29	Screw, Thd Roll 1/4-20 x 5/8
8	532 85 08-57	Bolt 3/8-24 x 1.25 Gr. 8 Patched	49	532 13 65-74	Cover, Mandrel LH
9	810 03 06-00	Washer, Lock Hvy 3/8 Unplated	50	532 13 72-72	Arm, Idler Primary
10	532 14 02-96	Washer, Hard Blade Mower Vented	51	532 13 72-73	Spring, Secondary
11	532 13 73-80	Blade (3 Required)	52	532 13 92-45	Pulley, Idler V Groove
12	532 12 98-95	Bearing, Ball #6204 (Mandrel)	53	532 13 77-89	Shield, Idler
13	532 13 75-53	Shaft Asm., W/Lower Brg (Includes Key No. 12)	54	532 13 95-73	V-Belt, Mower Primary
14	532 13 71-52	Housing, Mandrel 50" Vent	55	532 14 49-59	V-Belt, Mower Secondary
15	532 11 04-85	Bearing, Ball Mandrel	56	532 13 86-87	Spring, Primary
16	532 14 03-29	Stripper, Mower Vented	57	532 13 65-77	Bar Asm., Wheel Gauge
17	532 10 67-35	Rod, Hinge	58	532 13 39-57	Wheel, Gauge
18	819 11 10-16	Washer 11/32 x 5/8 x 16 Ga.	59	532 13 76-44	Bolt, Shoulder
19	532 10 53-04	Cap, Sleeve	60	532 13 90-31	Pin, Clevis
20	532 12 37-13	Spring, Torsion Deflector	61	532 13 65-73	Bracket, Wheel Gauge
21	532 13 76-07	Bracket, Deflector	62	532 13 39-43	Washer Hardened
22	532 11 04-52	Nut, Push	63	872 11 06-12	Bolt Carriage 3/8-16 x 1-1/2
23	532 11 05-09	Shield, Deflector Mower	64	819 12 14-14	Washer 3/8 x 7/8 x 14 Ga.
24	532 13 63-20	Runner, RH	65	532 15 18-31	Pulley Idler Flat Mower
25	819 11 12-16	Washer 11/32 x 3/4 x 16 Ga.	66	532 13 96-22	Keeper, Belt Idler 50" Vent
27	819 13 13-16	Washer 13/32 x 13/16 x 16 Ga.	67	873 93 06-00	Nut, Center Lock 3/8-16
28	532 13 28-23	Spacer, Spring Stop Idler	94	874 76 06-16	Bolt, Fin Hex 3/8-16 UNC x 1
29	873 80 06-00	Nut, Lock Hex W/Wsh 3/8-16 Unc	95	532 13 22-74	Bracket, Asm. Noseroller LH
30	532 13 87-76	Screw Thdrol Hex Head	96	532 13 22-73	Bracket, Asm. Noseroller RH
31	532 13 72-66	Nut, Flg Top Lock Cntr 9/16	97	819 17 14-16	Washer 17/32 x 7/8 x 16 Ga.
32	532 15 35-35	Pulley, Mandrel	98	532 13 22-64	Roller, Nose
33	532 12 99-63	Washer, Spacer Mower Vented	99	872 11 06-14	Bolt, Carriage 3/8-16 x 1-3/4 Gr. 5
34	872 14 06-10	Bolt, Carriage 3/8-16 x 1-1/4	102	532 15 33-90	Washer Felt
35	872 11 06-16	Bolt, Carriage 3/8-16 x 2	--	532 14 36-51	Mandrel Asm (Includes Key Nos. 8-10, 12-15, 31 and 33)
36	872 11 06-08	Bolt, Carriage 3/8-16 x 1 Gr. 5	--	532 14 10-51	Mower Asm Service (Std. Deck - Order separately all Nose Roller and all Gauge Wheel components)
37	532 13 71-66	Stiffener, Arm Idler			
38	532 13 75-54	Keeper, Belt Idler			
39	532 13 14-94	Pulley, Idler Flat			
40	532 13 65-72	Pulley, Driven			

NOTE: All component dimensions given in U.S. inches
1 inch = 25.4 mm

REPAIR PARTS

TRACTOR - MODEL NO. GTH220 (954140012A)

TRANSAXLE HYDRO GEAR MODEL NUMBER 218-3010



REPAIR PARTS

TRACTOR - MODEL NO. GTH220 (954140012A)

TRANSAXLE HYDRO GEAR MODEL NUMBER 218-3010

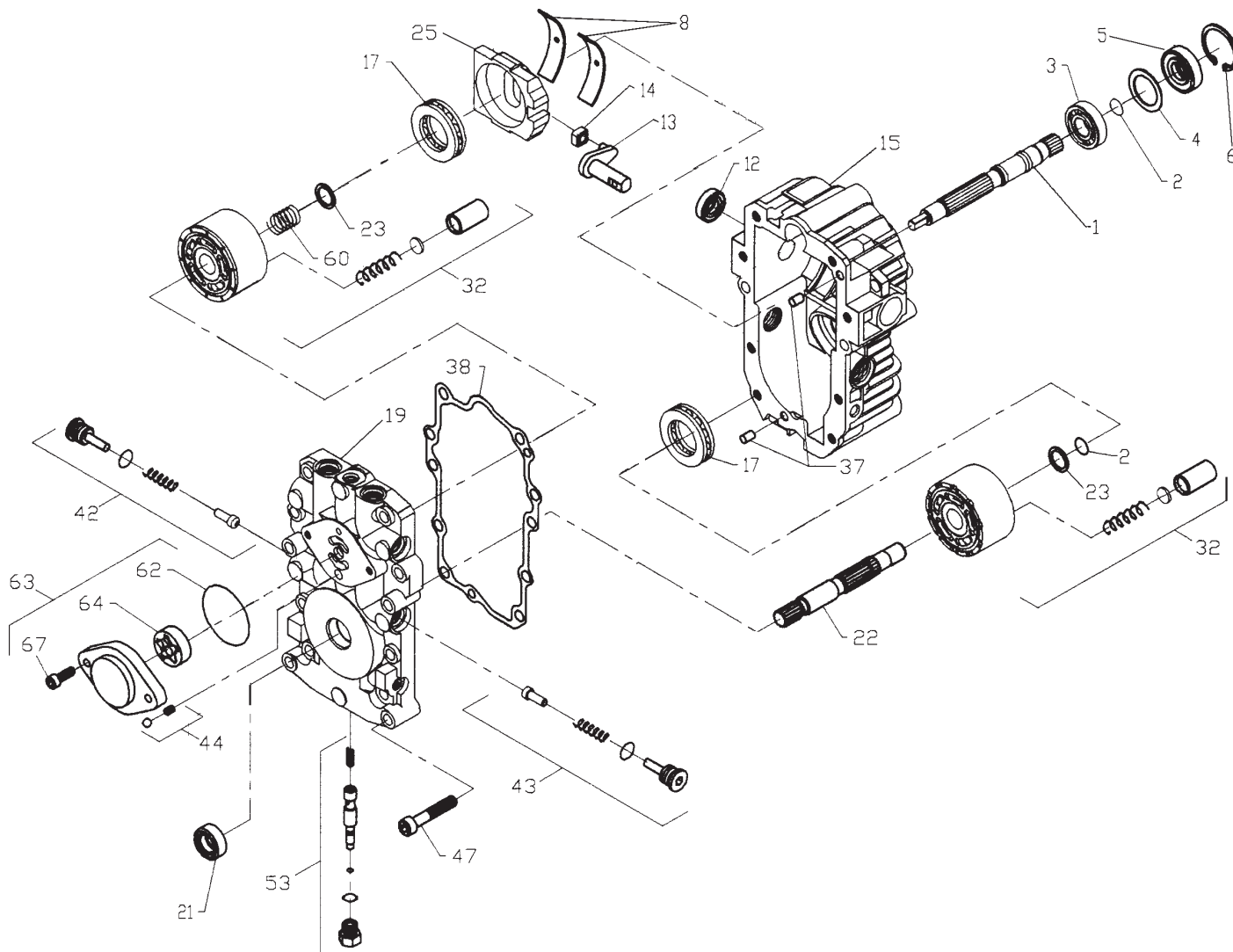
KEY PART NO. NO.	DESCRIPTION	KEY PART NO. NO.	DESCRIPTION		
1	532 14 28-74	Assembly, Housing, LH	72	532 15 37-67	Locknut, Hex 5/16-18
2	532 14 28-75	Assembly, Housing, RH	73	532 14 29-04	Bolt, Hex 5/16-18 x 1-1/2
7	532 15 37-65	Oil Seal .984 x 1.5 x .25	74	532 14 29-05	Hex Cap Screw 5/16-18 x 1
16	532 14 28-76	Brake Shaft Assembly	76	532 14 29-07	Shoulder Bolt
20	532 14 28-77	Axle Mounting Horn Assembly	77	532 14 29-08	Freewheel Actuating Arm
21	532 14 28-78	Washer 1.0 x 1.63 x .08	78	532 14 29-09	Oil Seal .625 x 1.0 x .25
22	532 14 28-79	Washer 1.0 x 2.06 x .09	79	532 15 37-68	Grease (10 oz. Tube)
33	532 14 29-29	Brake Yoke Assembly	81	532 14 29-10	Bolt, Hex 5/16-18 x 1-3/4
35	532 14 28-80	Brake Arm	82	532 14 29-11	Bolt 5/16-18 x 4-1/2
36	532 14 28-82	Puck Plate	89	532 14 29-12	Filter, Spin On
37	532 14 28-83	Brake Puck	91	532 15 37-69	Pump, BDU-10L-122
38	532 14 28-84	Washer 7/8 O.D. x 7/16 x .060	95	532 14 29-14	Plug, Straight Thread
39	532 14 28-85	Nut, Castle 5/16-24	103	532 14 29-16	Washer
40	532 14 28-86	Cotter Pin	104	532 14 29-17	Vent Cap Assembly
41	532 14 28-87	Brake Actuating Pin	106	532 14 29-18	Fitting O-Ring Assembly
42	532 14 28-88	Hi Pro Key	108	532 14 29-19	Control Arm
43	532 14 28-89	Spacer	109	532 14 29-20	Set Screw
45	532 14 28-90	Brake Disc	110	532 14 29-21	Filter Head
46	532 14 28-91	Bolt 1/4-20 x 1-1/2	111	532 15 08-20	Hose 1/2"
47	532 14 28-92	Bolt 1/4-20 x 1	112	532 15 08-23	Fitting, 1/2" Beaded 90° 7/8 SAE
49	532 15 37-66	Differential Assembly	113	532 15 08-21	Fitting, 1/2" Beaded 60° 9/16
63	532 14 28-94	Dowel Pin	117	532 15 08-22	Fitting, 1/2" Beaded 90° 9/16
64	532 15 08-18	Reduction Gear, 14 Teeth to 38 Teeth	123	532 15 08-24	O Ring
65	532 14 28-97	Final Drive Pinion Assembly	124	532 15 08-25	Pinch Clamp
67	532 14 28-98	Jackshaft	129	532 15 37-71	Spring, Long
68	532 14 28-99	O-Ring			
69	532 14 29-00	Washer 5/8 X 1-5/32			
70	532 14 29-01	Washer 7/8 X 1-1/2			
71	532 14 29-02	Bolt, Hex 5/16-18 x 3.5			

NOTE: All component dimensions given in U.S. inches
1 inch = 25.4 mm

REPAIR PARTS

TRACTOR - MODEL NO. GTH220 (954140012A)

TRANSAXLE PUMP - - MODEL NUMBER BDU-10L-122



KEY PART NO. NO.

DESCRIPTION

1	532144569	Shaft, Pump
2	532122716	Ring, Retaining
3	532122745	Bearing, Ball
4	532122715	Spacer
5	532122700	Seal, Lip
6	532122699	Ring, Retaining
8	532122767	Bearing, Cradle
12	532122717	Seal, Lip
13	532122748	Arm, Trunnion
14	532122749	Guide, Slot
15	532144571	Housing Kit, Transmission
17	532122770	Bearing, Thrust, Ball
19	532153801	Center Section Kit
21	532122722	Seal, Lip
22	532144573	Shaft, Motor
23	532142978	Washer, Block Thrust

KEY PART NO. NO.

DESCRIPTION

25	532127148	Swashplate, Variable
32	532142938	Block Assembly
37	532122786	Pin, Stainless, Headless
38	532122718	Gasket, Center Section
42	532144578	Check Valve Kit
43	532144578	Check Valve Kit
44	532144579	Charge Relief Kit
47	532122752	Screw, Socket Head, Cap
53	532127153	Bypass Valve Kit
60	532142977	Block Spring
62	532144581	O-Ring
63	532144582	Charge Pump Kit
64	532144583	Gerotor Assembly
67	532144584	Screw, Socket Head, Cap
--	532153769	Pump Assembly, Complete