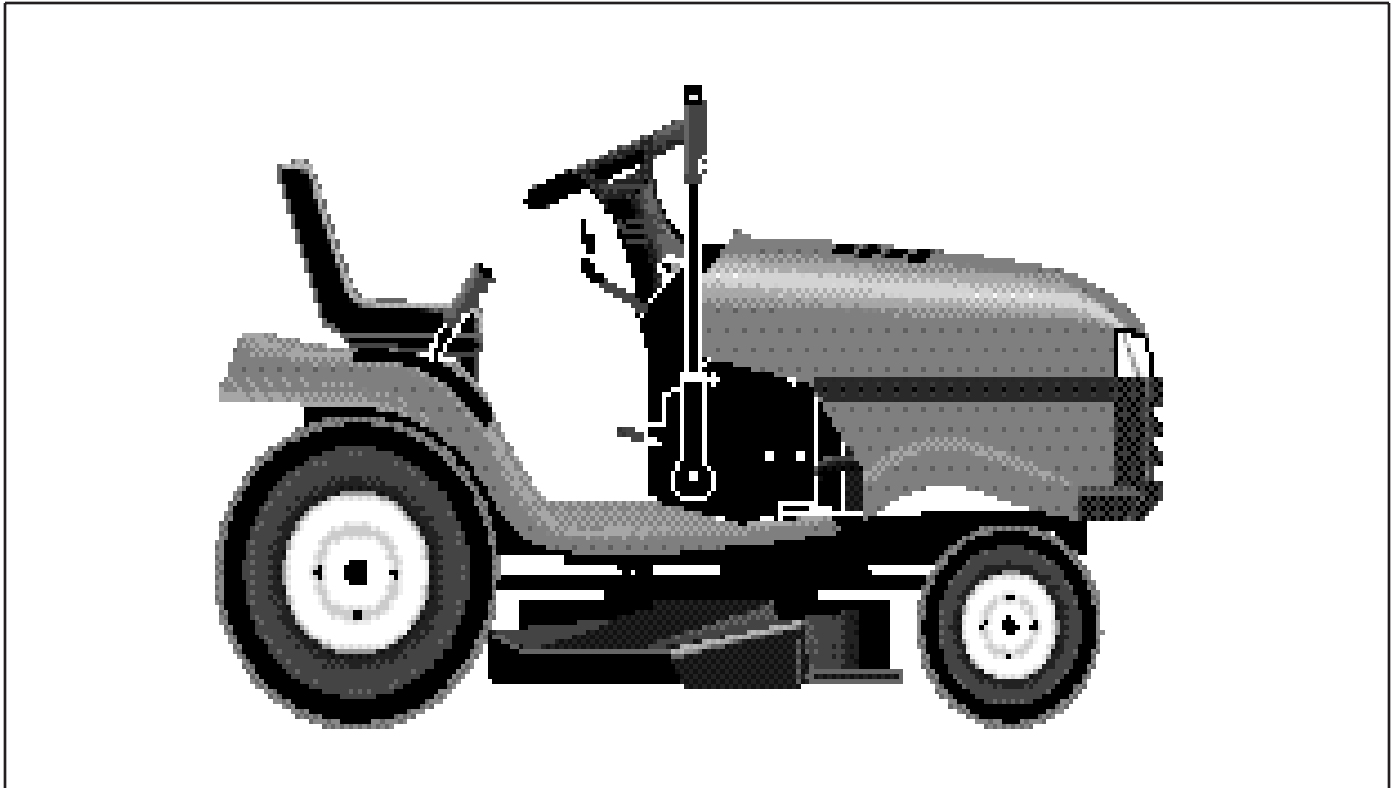


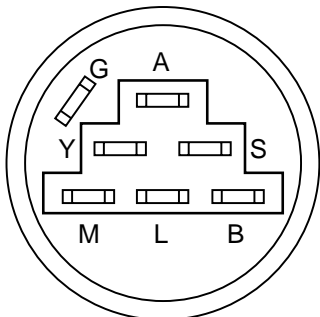
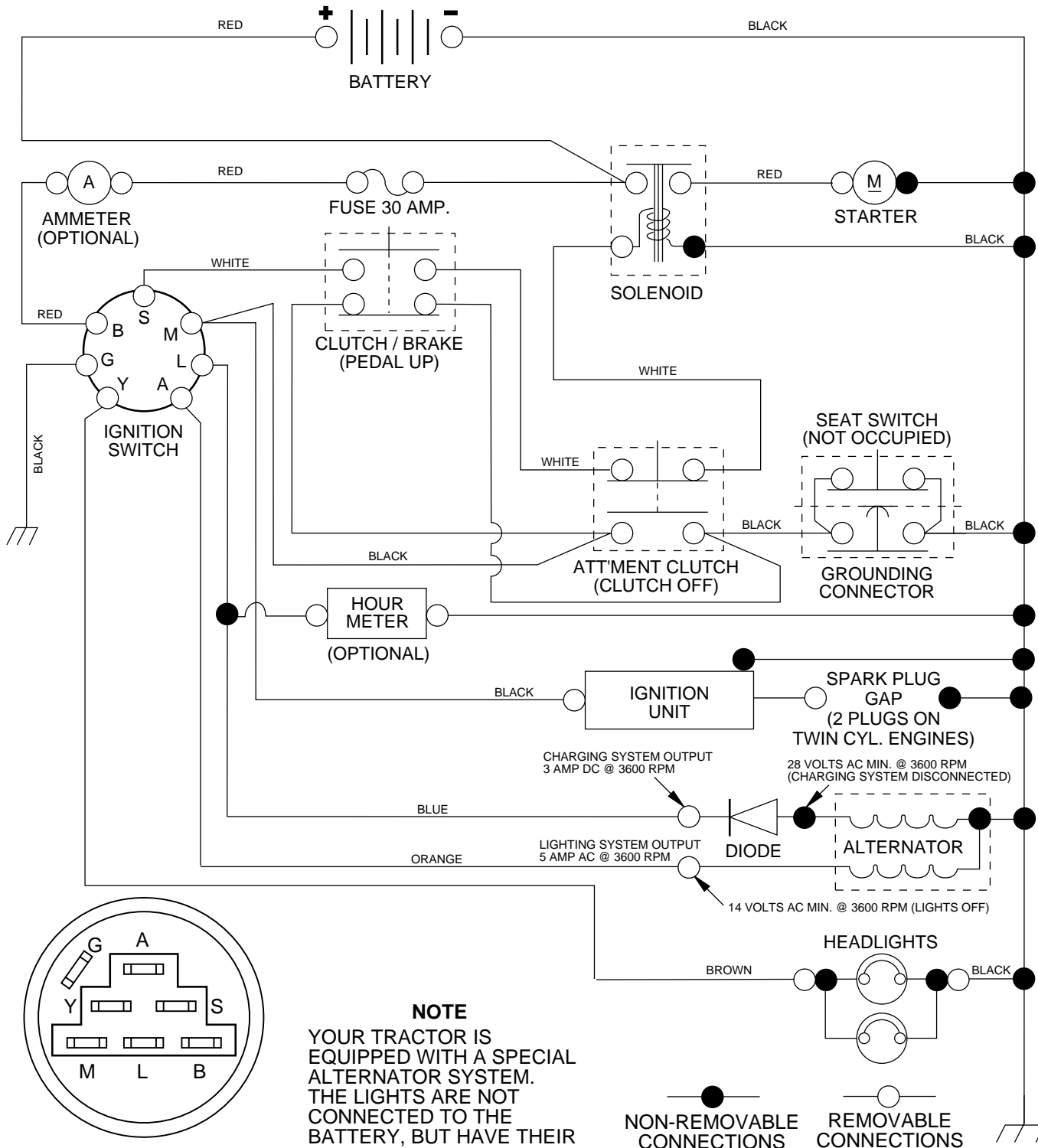
LT 120



1.1997
Spare Parts

954 14 00-02A

SCHEMATIC



IGNITION SWITCH

POSITION	CIRCUIT	"MAKE"
OFF	G + M + L	NONE
RUN/LIGHT	B + L	A + Y
RUN	B + L	NONE
START	B + L + S	NONE

NOTE
 YOUR TRACTOR IS EQUIPPED WITH A SPECIAL ALTERNATOR SYSTEM. THE LIGHTS ARE NOT CONNECTED TO THE BATTERY, BUT HAVE THEIR OWN ELECTRICAL SOURCE. BECAUSE OF THIS, THE BRIGHTNESS OF THE LIGHTS WILL CHANGE WITH ENGINE SPEED. AT IDLE THE LIGHTS WILL DIM. AS THE ENGINE IS SPEEDED UP, THE LIGHTS WILL BECOME THEIR BRIGHTEST.

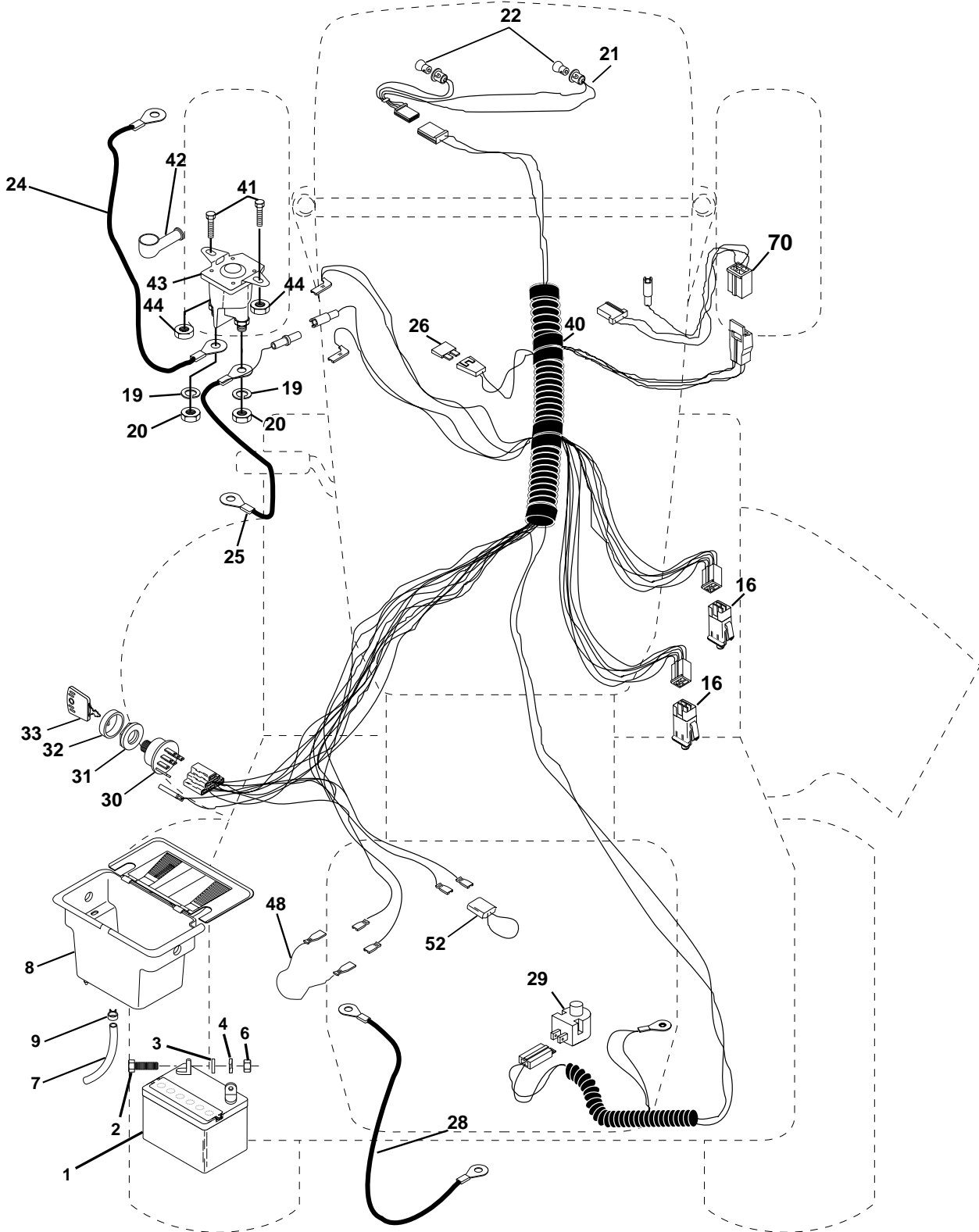
WIRING INSULATED CLIPS

NOTE: IF WIRING INSULATED CLIPS WERE REMOVED FOR SERVICING OF UNIT, THEY SHOULD BE REPLACED TO PROPERLY SECURE YOUR WIRING.

REPAIR PARTS

TRACTOR - MODEL NO. LT120 (954140002A), PRODUCT NO. 954 1400-02

ELECTRICAL



REPAIR PARTS

TRACTOR - MODEL NO. LT120 (954140002A), PRODUCT NO. 954 1400-02

ELECTRICAL

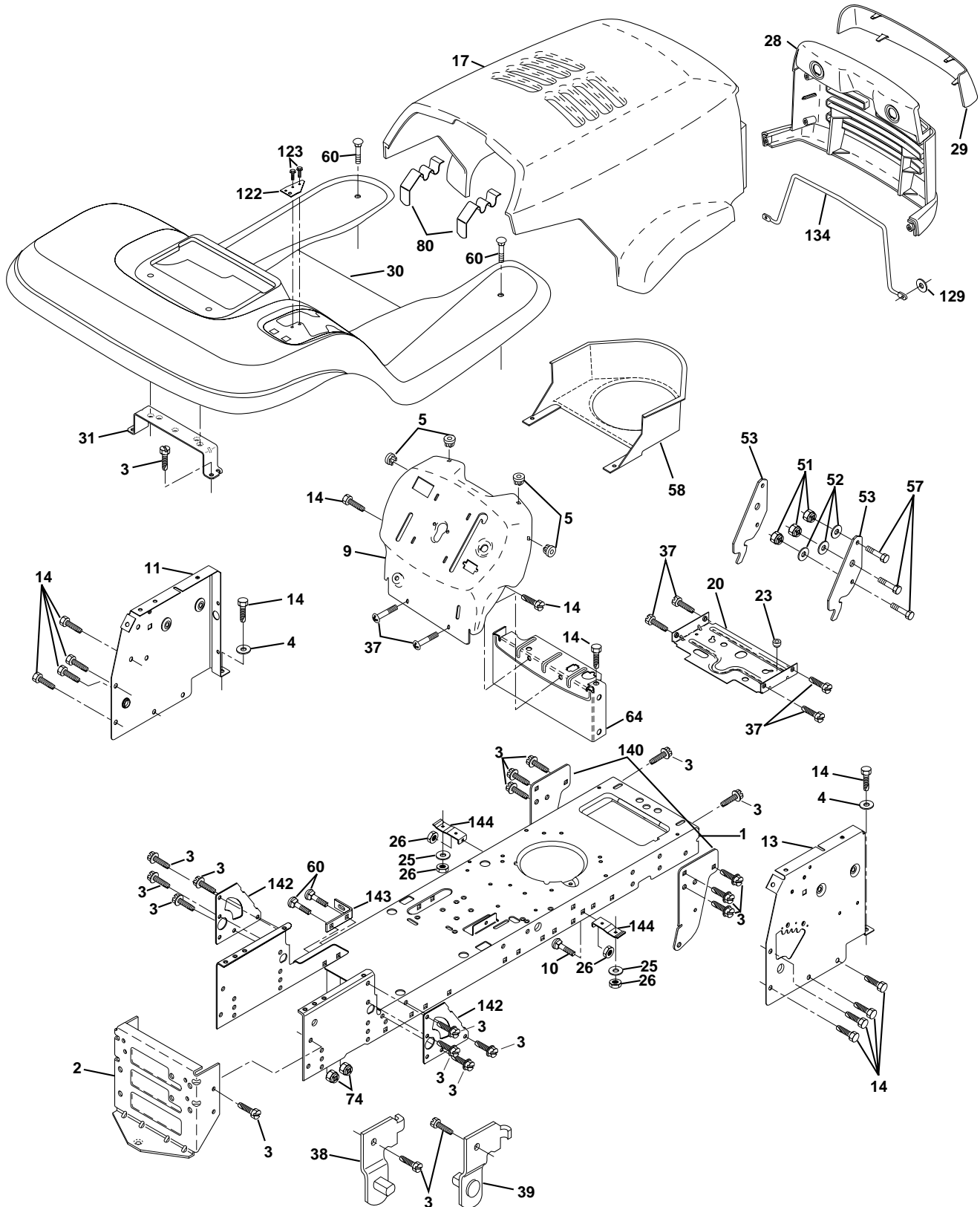
KEY NO.	PART NO.	DESCRIPTION
1	532 14 61-39	Battery 12 Volt 25 AMP
2	874 76 04-12	Bolt Hex Hd 1/4-20unc X 3/4
3	819 09 10-16	Washer 9/32 X 5/8 X 16 Ga.
4	810 04 04-00	Washer Lock Hvy Helical 1/4
6	873 22 04-00	Nut Fin Hex 1/4-20 Unc
7	532 10 92-38	Tube Plastic 12"
8	532 15 64-17	Case Battery Mech Hinge
9	532 10 95-96	Clamp Hose Olive
16	532 15 36-64	Switch Interlock Push-In
19	810 09 04-00	Washer Lock 1/4
20	873 35 04-00	Nut Jam Hex 1/4-20 Unc
21	532 13 68-50	Harness Asm Light W/4152j
22	532 00 41-52	Bulb Light #1156
24	532 12 47-80	Cable Battery 6 Ga 11" red
25	532 14 61-47	Cable Battery 6 Ga 44" red w/16 wire
26	532 10 88-24	Fuse 30 AMP Auto Green
28	532 12 47-73	Cable Ground 6 Ga 12" black
29	532 12 13-05	Switch Plunger Nc Gray
30	532 14 03-01	Switch Ign 4 pos w/lights
31	532 12 42-11	Nut Ignition
32	532 14 12-26	Cover Sw Ignition
33	532 12 21-47	Key Ign Modelled Generic
40	532 15 64-42	Harness Ign.
41	871 11 04-08	Bolt Blk Fin Hex 1/4 - 20 x 1/2
42	532 13 15-63	Cover Terminal Red
43	532 14 56-73	Solenoid
44	873 64 04-00	Nut Keps Hex 1/4-20 Unc
48	532 14 08-44	Adapter Ammeter Rectangular
52	532 14 19-40	Protection Wire Loop
70	532 14 04-13	Harness, Eng. B&S/Tec Dual

NOTE: All component dimensions given in U.S. inches.
1 inch = 25.4 mm.

REPAIR PARTS

TRACTOR - MODEL NO. LT120 (954140002A), PRODUCT NO. 954 1400-02

CHASSIS AND ENCLOSURES



REPAIR PARTS

TRACTOR - MODEL NO. LT120 (954140002A), PRODUCT NO. 954 1400-02

CHASSIS AND ENCLOSURES

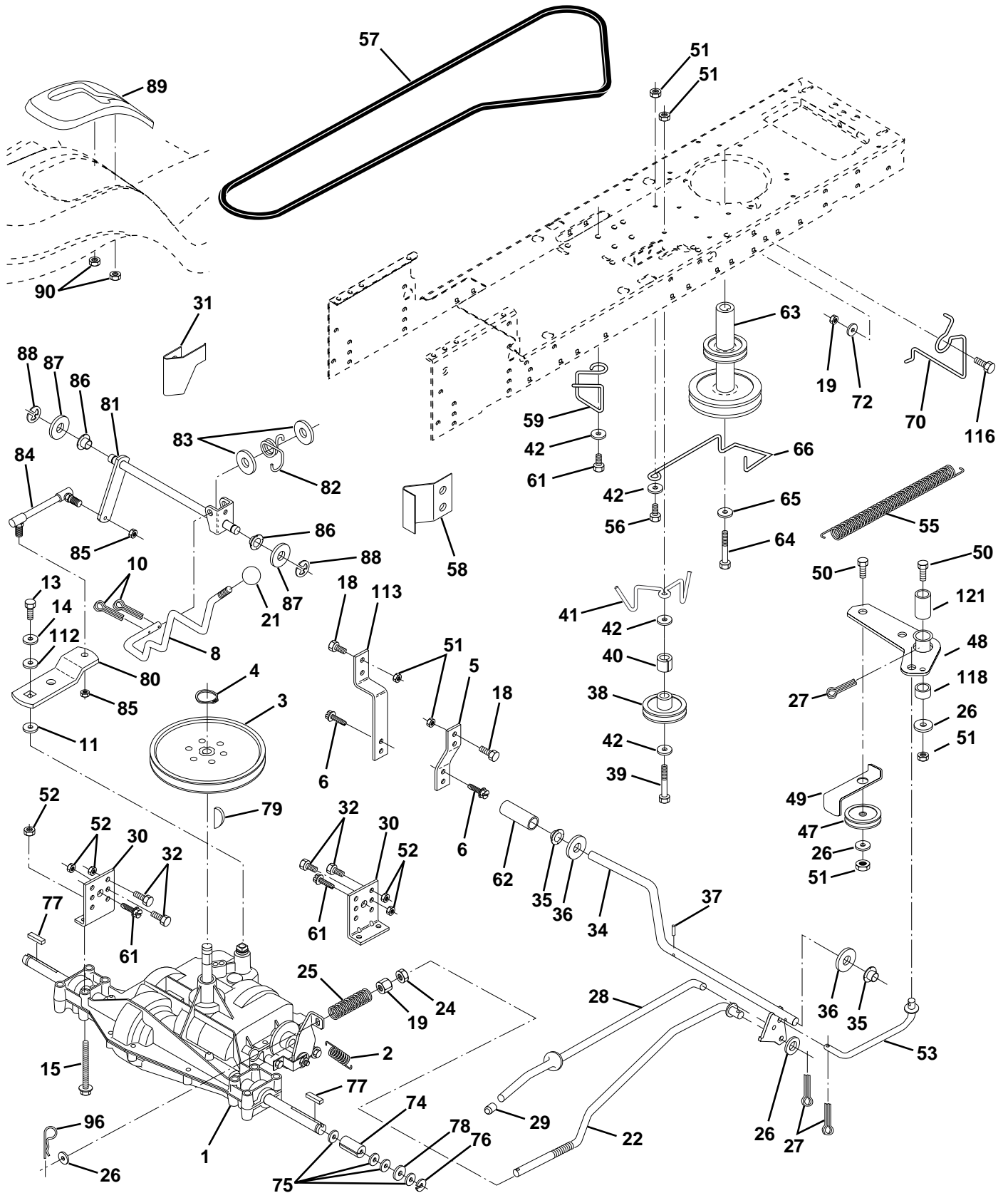
KEY NO.	PART NO.	DESCRIPTION
1	532 15 38-71	Chassis Weldment
2	532 14 03-56	Drawbar, Stretch
3	817 49 06-12	Screw Thdrol 3/8-16x3/4 Ty-tt
4	819 13 12-16	Washer 13/32 x 3/4 x 16 Ga.
5	532 15 52-72	Bumper Hood/Dash
9	532 15 72-61	Dash P/L M, N/AMM N/HM Grey
10	872 14 06-08	Bolt Carriage 3/8-16 x 1
11	532 15 59-27	Panel Dash Lh
13	532 15 72-62	Panel Dash Rh
14	817 49 06-08	Screw Thdrol 3/8-16x1/2 Ty-tt
17	532 15 60-51	Hood LT/PL Husqvarna
20	532 15 64-37	Plate Mtg Battery Fuel Tank Fr
23	532 12 40-28	Bushing
25	819 13 13-12	Washer 13/32 X 13/16 X 12 Ga
26	873 80 06-00	Nut Lock Hex W/Ins 3/8-16 Unc
28	532 14 97-76	Grille LT/PL Husqvarna
29	532 14 97-77	Lens LT/PL Husqvarna
30	532 15 64-89	Fender Footrest STLT Pnt
31	532 13 99-76	Bracket Support Fender
37	817 49 05-08	Screw Thdrol 6/16-18 x 1/2 TYT
38	532 13 98-86	Bracket, Asm. Pivot, L.H., Mower Rear
39	532 13 98-87	Bracket, Asm. Pivot, R.H., Mower Rear
51	873 80 04-00	Nut Lock Hex W/Ins 1/4-20
52	819 09 14-16	Washer 9/32 x 7/8 x 16 Ga.
53	532 15 00-67	Bracket Pnt. Pick off LT/PL Husqvarna
57	874 78 04-12	Bolt Hex 1/4-20 x 3/4
58	532 15 01-27	Air Duct Engine P/L
60	872 14 06-06	Bolt Rdhd Sqnk 3/8-16unc x 3/4
64	532 15 47-98	Dash Lower STLT
74	873 68 06-00	Nut Crownlock 3/8-16 UNC
80	532 15 58-54	Latch Hood Plm Husqvarna
129	819 09 10-16	Washer 9/32 x 5/8 x 16 Ga.
134	532 15 01-32	Rod Support Hood LT/PL Husq.
140	532 15 05-56	Bracket Chassis Front 7 Ga.
142	532 15 60-95	Plate Reinforcement STLT
143	532 15 49-66	Bracket Swaybar Chassis
144	532 15 42-07	Bracket Pnt Footrest STLT
146	532 15 43-34	Screw Torx Hd Thd 5/16-18 UN-2A
--	532 00 54-79	Plug Button

NOTE: All component dimensions given in U.S. inches
1 inch = 25.4 mm

REPAIR PARTS

TRACTOR - MODEL NO. LT120 (95414002A), PRODUCT NO. 954 1400-02

DRIVE



REPAIR PARTS

TRACTOR - MODEL NO. LT120 (954140002A), PRODUCT NO. 954 1400-02

DRIVE

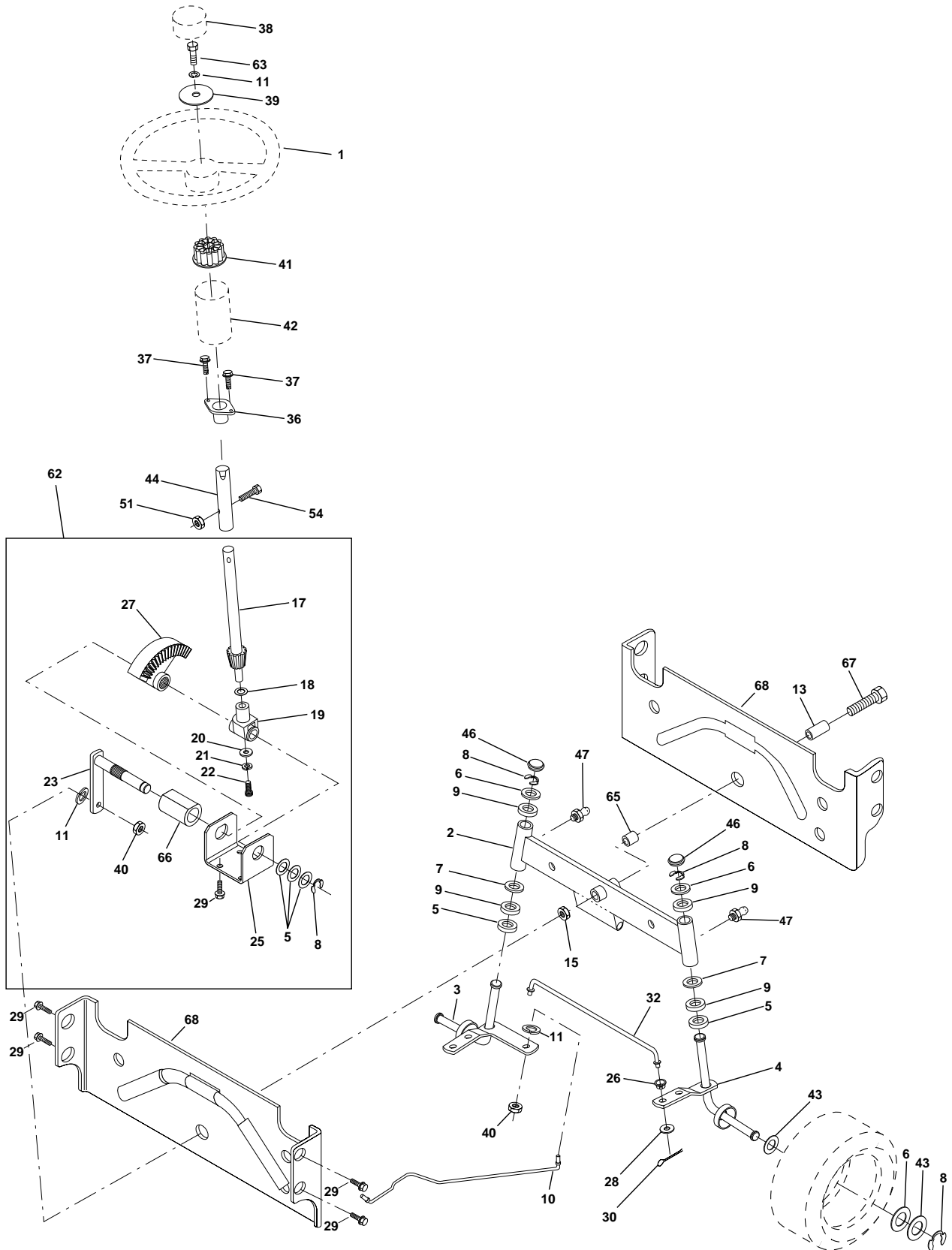
KEY PART NO. NO.	DESCRIPTION	KEY PART NO. NO.	DESCRIPTION
1	----- Transaxle (See Breakdown) Peerless 930-054A	51	873 68 06-00 Nut Crownlock 3/8-16 Unc
2	532 14 66-82 Spring Return Brake T/a Zinc	52	873 68 05-00 Nut Crownlock 5/16-18 Unc
3	532 12 36-66 Pulley Transaxle 18" tires	53	532 10 57-10 Link Clutch
4	812 00 00-28 Ring Retainer # 5100-62	55	532 10 57-09 Spring Return Clutch 6 75
5	532 12 15-20 Strap Torque 30 Degrees	56	874 76 06-20 Bolt Fin Hx 3/8-16 X 1/4
6	817 49 05-12 Screw Thdrol 5/16-18 X 3/4 TYT	57	532 13 08-01 V-Belt Ground Drive 95 25
8	532 15 47-92 Rod Shifter	58	532 12 72-74 Keeper Belt RH LT Pnt/zinc 16g
10	876 02 04-16 Pin Cotter 1/8 X 1 Cad	59	532 14 03-12 Keeper Belt Span Ctr
11	532 10 57-01 Washer Plate Shf 388 Sq Hole	61	817 49 06-12 Screw Thdrol 3/8-16x3/4 Ty-tt
13	874 55 04-12 Bolt 1/4-28 Unf Gr 8 W/Patch	62	532 12 48-72 Cover Pedal Blk Round
14	810 04 04-00 Washer Lock Hvy Helical 1/4	63	532 14 01-86 Engine Pulley LT/YT
15	874 49 05-44 Bolt Hex 5/16-18 Gr. 5	64	871 17 07-64 Bolt Hex
18	874 78 06-16 Bolt, Fin Hex 3/8-16 UNC x 1 Gr. 5	65	810 04 07-00 Washer Lock Hvy Hlcl Spr 7/16
19	873 80 06-00 Nut Lock 3/8-16 Unc	66	532 15 47-78 Keeper Belt Engine Foolproof
21	532 10 69-33 Knob	70	532 13 46-83 Guide Belt Mower Drive RH
22	532 13 08-04 Rod Brake Blk Zinc 26 840	72	819 13 20-12 Washer 13/32 X 1-1/4 X 12 Ga
24	873 35 06-00 Nut Hex Jam 3/8-16 Unc	74	532 13 70-57 Spacer Axle
25	532 10 68-88 Spring Rod Brake 2 00 Zinc	75	532 12 17-49 Washer 25/32 X 1 1/4 X 16 Ga
26	819 13 13-16 Washer 13/32 X 13/16 X 16 Ga	76	812 00 00-01 E-ring #5133-75
27	876 02 04-12 Pin Cotter 1/8 X 3/4 Cad	77	532 12 35-83 Key Square 2 0 X 1845/ 1865
28	532 14 52-04 Rod Brake Parking LT/YT	78	532 12 17-48 Washer 25/32 X 1-5/8 X 16 Ga
29	532 07 16-73 Cap Brake Parking Black	79	532 12 50-96 Key Woodruff #9 3/16 x 3/4
30	532 13 08-07 Bracket Mtg Transaxle	80	532 13 14-86 Arm Shift
31	532 12 72-75 Keeper Belt LH LT 14 Ga	81	532 15 60-43 Shaft Asm Cross 20"t
32	874 76 05-12 Bolt Hex Hd 5/16-18unc X 3/4	82	532 12 37-82 Spring Torsion T/a
34	532 15 50-71 Shaft Asm Pedal Foot	83	819 17 12-16 Washer 17/32 X 3/4 X 16 Ga
35	532 12 01-83 Bearing Nylon Blk 629 Id	84	532 12 37-93 Rod Shift
36	819 21 16-16 Washer 21/32 X 1 X 16 Ga	85	532 15 03-60 Nut Lock Center 1/4 - 28 FNTHD
37	532 12 49-63 Pin Roll 3/16 X 1"	86	532 07 12-08 Bushing Rod Strg 629/632 Id
38	532 12 36-74 Pulley Idler Flat	87	819 21 20-16 Washer 21/32 X 1-1/4 X 16 Ga
39	874 76 06-44 Bolt Fin Hex 3/8-16unc X 2-3/4	88	812 00 00-08 Ring Klip #5304-62
40	532 12 49-65 Spacer Split 395 X 59 Bzp	89	532 15 48-85 Console Shift STLT
41	532 15 47-77 Keeper Belt Retainer Idler Foolproof	90	532 12 43-46 Nut Self-thd Wsh-hd 1/4 Zinc
42	819 13 13-12 Washer 13/32 X 13/16 X 12 Ga	112	819 09 12-10 Washer 9/32 x 3/4 x 10 Ga.
47	532 12 77-83 Pulley Idler V Groove Plastic	113	532 12 72-85 Strap Torque LT
48	532 15 46-04 Bellcrank Asm	116	872 11 06-10 Bolt Rdhd Sq Neck 3/8-16 x 1.25
49	532 12 32-05 Retainer Belt Style Spring	118	532 15 47-74 Spacer Bellcrank
50	874 76 06-24 Bolt Hex Hd 3/8-16unc X 1-1/2	121	532 15 44-19 Nyliner Clutching STL

NOTE: All component dimensions given in U.S. inches
1 inch = 25.4 mm

REPAIR PARTS

TRACTOR - MODEL NO. LT120 (954140002A), PRODUCT NO. 954 1400-02

STEERING ASSEMBLY



REPAIR PARTS

TRACTOR - MODEL NO. LT120 (954140002A), PRODUCT NO. 954 1400-02

STEERING ASSEMBLY

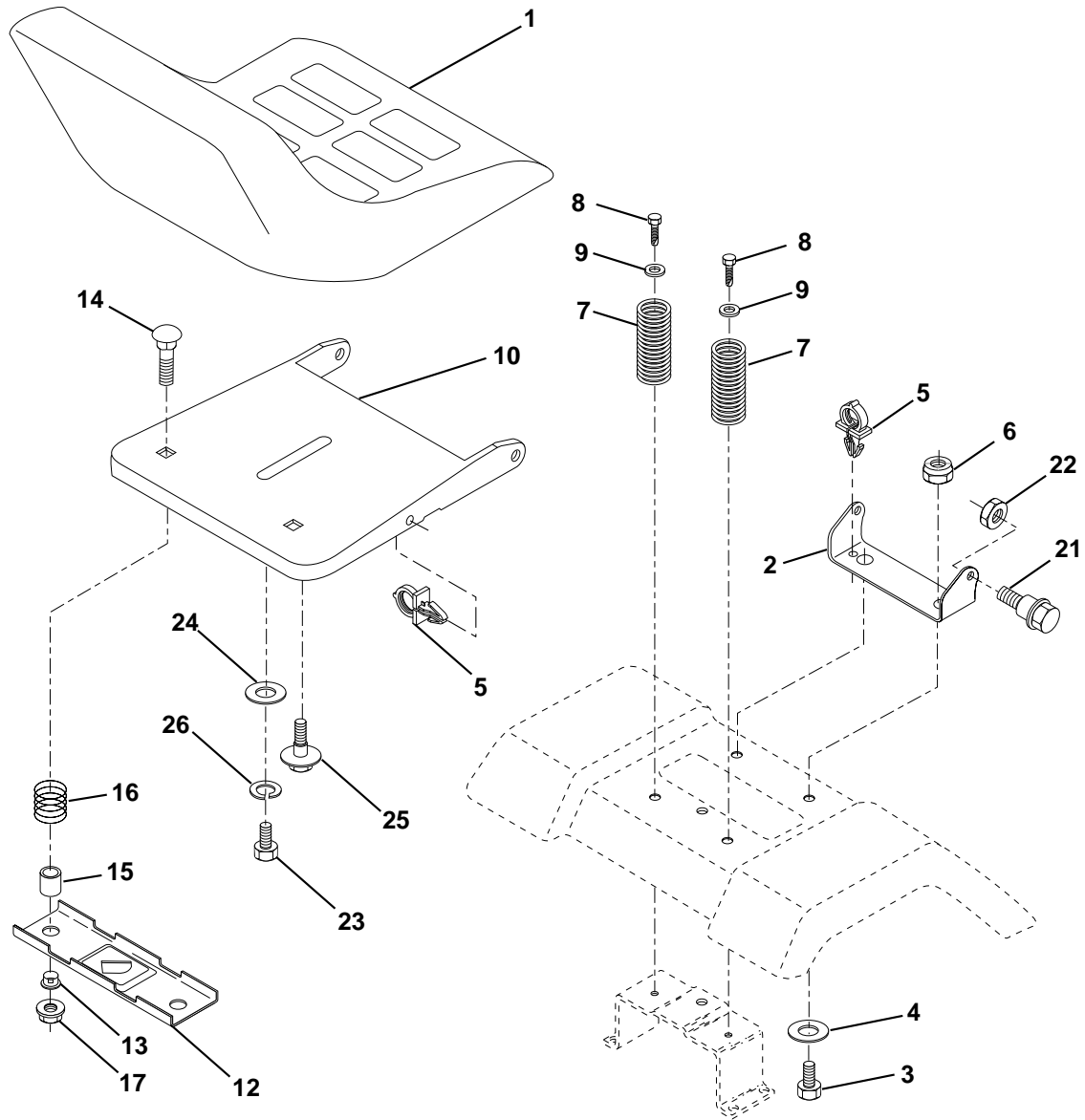
KEY NO.	PART NO.	DESCRIPTION
1	532 12 44-15	Wheel Steering
2	532 15 44-27	Axle Asm STMP Dropped STL
3	532 15 44-22	Spindle Asm LH
4	532 15 44-23	Spindle Asm RH
5	532 12 49-31	Bearing Race Thrust Harden
6	532 12 17-48	Washer 25/32 X 1-5/8 X 16 Ga
7	819 27 20-16	Washer 27/32 X 1-1/4 X 16 Ga
8	812 00 00-29	Ring Klip #t5304-75
9	532 12 49-37	Bearing Col Strg Blk
10	532 15 64-38	Link Drag Extended Stamp
11	810 04 06-00	Washer Lock Hvy Hlcl Spr 3/8
13	532 15 47-79	Bearing Axle STLT/GT
15	873 90 10-00	Nut Lock Flange 5/8-11 Unc
17	532 15 65-46	Shaft Asm Strg
18	532 05 70-79	Washer Thrust 515x 750x 033
19	532 12 40-35	Support Shaft
20	532 12 66-84	Washer Shim 1/4 X 5/8 X 062
21	810 04 04-00	Washer Lock Hvy Helical 1/4
22	871 10 04-10	Screw Cap Sckt Hd Phos & Oil
23	532 12 75-01	Shaft Asm Pittman
25	532 15 44-06	Bracket Steering
26	543 12 68-47	Bushing Link Drag Blk LR
27	532 13 68-74	Gear Sector
28	819 13 14-16	Washer 13/32 X 7/8 X 16 Ga
29	817 49 06-12	Screw Thdrol 3/8-16x3/4 Ty-tt
30	876 02 04-12	Pin Cotter 1/8 X 3/4 Cad
32	532 13 04-65	Rod Tie Wire Form 19 75 Mech
36	532 15 50-99	Bushing Strg
37	532 15 29-27	Screw
38	532 12 44-16	Insert Cap Strg Wh Au
39	819 13 38-08	Washer 13/32 X 2-3/8 X 8 Ga
40	532 12 47-01	Lock nut
41	532 10 07-11	Adaptor Wheel Strg
42	532 15 50-92	Boot Steering Shaft
43	532 12 17-49	Washer 25/32 X 1 1/4 X 16 Ga
44	532 15 37-20	Extension Steering Shaft LR/LT
46	532 12 12-32	Cap Spindle Fr Top Blk
47	532 12 48-36	Fitting Grease
51	873 80 05-00	Nut Lock Hex w/Ins 5/16-18
54	874 78 05-20	Bolt Fin Hex 5/16-18 Unc x 1-1/4
62	532 15 65-94	Kit, Steering Assembly Svc
63	874 78 06-16	Bolt Fin Hex 3/8-16unc x 1 Gr. 5
65	532 15 47-80	Spacer Axle
66	532 15 44-04	Bearing Arm Pittman
67	874 78 10-44	Bolt, Fin Hex 5/8-11 UNC x 2-3/4
68	532 15 44-29	Axle, Brace

NOTE: All component dimensions given in U.S. inches.
1 inch = 25.4 mm.

REPAIR PARTS

TRACTOR - MODEL NO. LT120 (954140002A), PRODUCT NO. 954 1400-02

SEAT ASSEMBLY



KEY PART NO. NO.

DESCRIPTION

1	532 14 08-38	Seat
2	532 14 05-51	Bracket Pivot Seat 8 720
3	874 76 06-16	Bolt Fin Hex 3/8-16unc X 1
4	819 13 16-10	Washer 13/32 X 1 X 10 Ga
5	532 14 50-06	Clip Push-In
6	873 80 06-00	Nut Hex w/Ins. 3/8-16 Unc
7	532 12 41-81	Spring Seat Cprsn 2 250 Blk Zi
8	817 49 06-16	Screw Thdrol 3/8-16 X 1 Ty-tt
9	819 13 16-14	Washer 13/32 X 1 X 14 Ga.
10	532 15 59-25	Pan Seat
12	532 12 12-46	Bracket Mounting Switch
13	532 12 12-48	Bushing Snap Blk Nyl 50 Id

KEY PART NO. NO.

DESCRIPTION

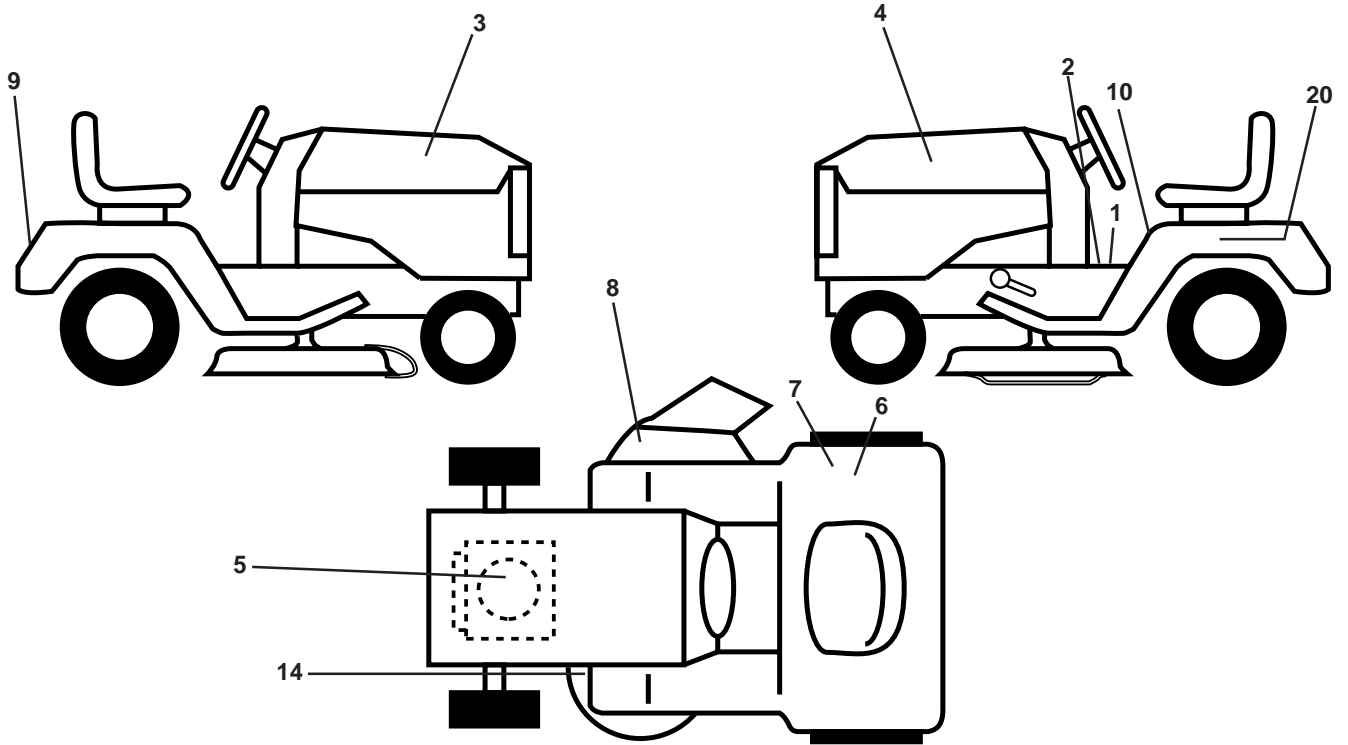
14	872 05 04-11	Bolt Rdhd Sqnk 1/4-20x1-3/8
15	532 13 43-00	Spacer Split 28x 96 Yel Zinc
16	532 12 12-50	Spring Cprsn 1 27 Blk Pnt
17	532 12 39-76	Nut Lock 1/4 Lge Flg Gr 5 Zinc
21	532 15 32-36	Bolt Shoulder 5/16-18 Unc
22	873 80 05-00	Nut Hex Lock W/Ins 5/16-18
23	874 78 08-14	Bolt, Hex Head, Fin 1/2-13 x 7/8 Grade 5
24	819 17 19-12	Washer 17/32 X 1-3/16 X 12 Ga.
25	532 12 70-18	Bolt Shoulder 5/16-18 X 62
26	810 04 08-00	Washer Lock

NOTE: All component dimensions given in U.S. inches.
1 inch = 25.4 mm

REPAIR PARTS

TRACTOR - MODEL NO. LT120 (954140002A), PRODUCT NO. 954 1400-02

DECALS



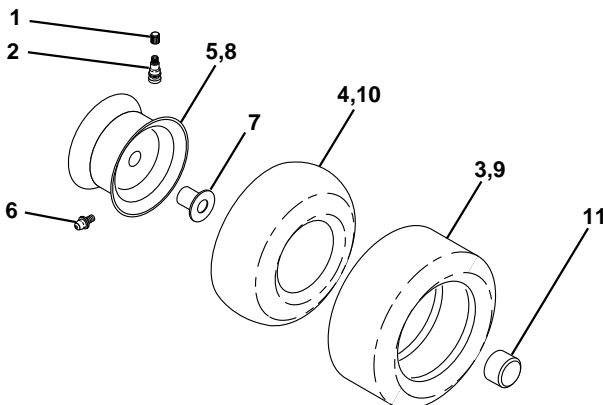
KEY NO.	PART NO.	DESCRIPTION
1	532 14 08-37	Decal Saddle Parking
2	532 15 63-69	Decal Fender STLT Oper. Inst. English/French
3	532 15 13-20	Decal Hood LH
4	532 15 13-21	Decal Hood RH
5	532 27 24-40	Decal HP Engine
6	532 12 56-90	Decal 100 DBA
7	532 14 54-37	Decal Europe Stand CE
8	532 14 54-94	Decal Mower Cut/Finger
9	532 15 06-17	Decal Fender Husq
10	532 14 54-98	Decal Read Owner's Man Syms

KEY NO.	PART NO.	DESCRIPTION
14	532 13 68-32	Decal V-Belt Schematic
20	532 14 64-51	Decal Bat Dan/Psn
--	532 15 45-15	Pad Footrest LH STLT
--	532 15 45-16	Pad Footrest RH STLT
--	532 13 83-11	Decal Handle Lft Height Adjust
--	532 15 71-64	Manual Owner's (English)
--	532 15 71-65	Manual Owner's (French)

Available accessories not included with tractor:

- MK380 Mulcher Kit with Blades
- C38 Grass Catcher

WHEELS & TIRES



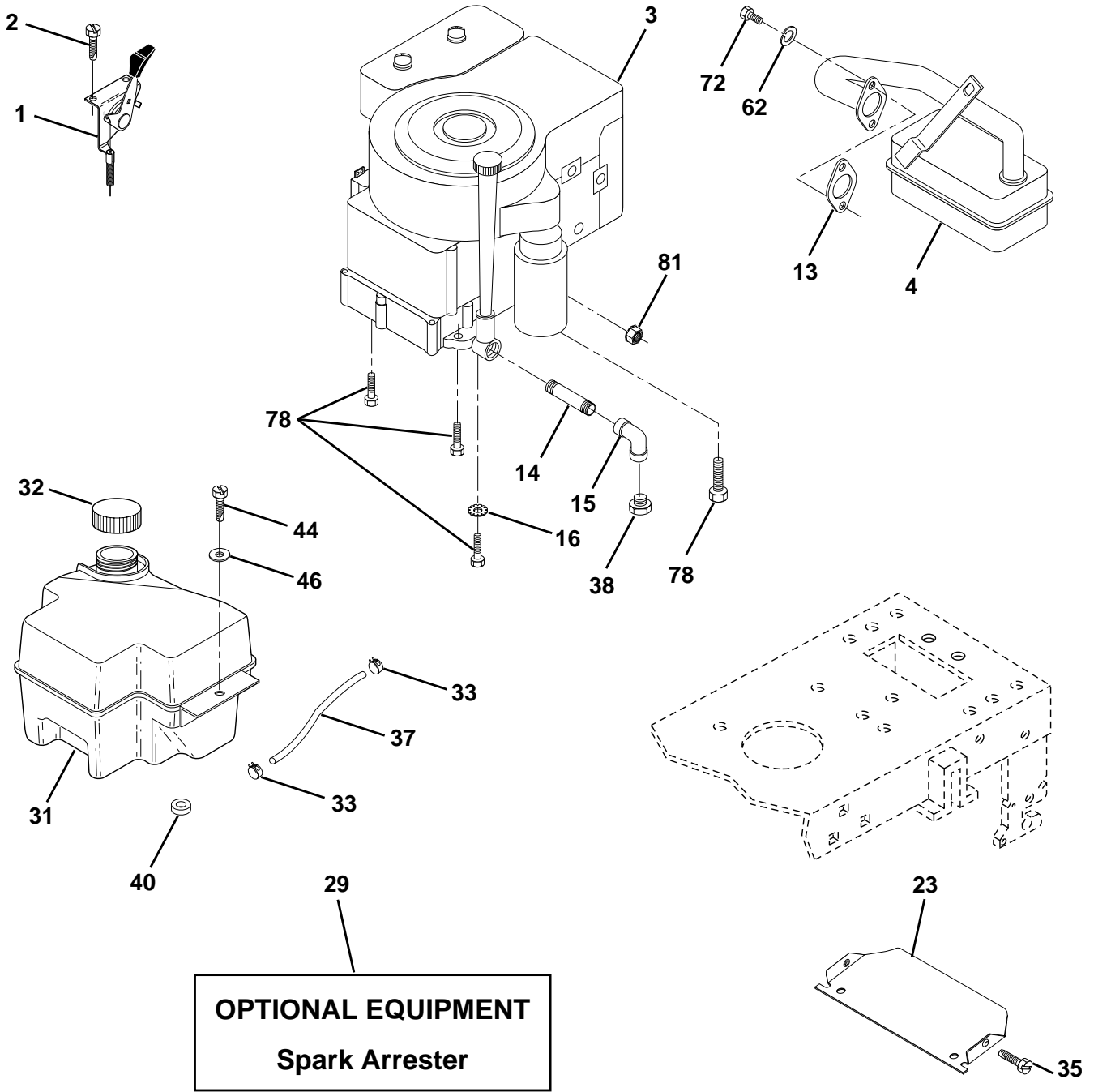
KEY NO.	PART NO.	DESCRIPTION
1	532 05 91-92	Cap Valve Tire
2	532 06 51-39	Stem Valve
3	532 10 62-22	Tire F Ts 15 X 6 0 - 6 Service
4	532 05 99-04	Tube Front (Service Item Only)
5	532 13 83-36	Rim Asm 6"front Silver Service
6	532 12 49-57	Fitting Grease (Front Wheel Only)
7	532 12 49-59	Bearing Flange (Front Wheel Only)
8	532 13 83-37	Rim Asm 8"rear Silver Service
9	532 12 46-35	Tire R Ts 18x8 5-8 C Service
10	532 12 49-26	Tube Rear (Service Item Only)
11	532 10 47-57	Cap Axle Blk 1 50 X 1 00
--	532 14 43-34	Sealant, Tire (10 oz. Tube)

NOTE: All component dimensions given in U.S. inches
1 inch = 25.4 mm

REPAIR PARTS

TRACTOR - MODEL NO. LT120 (954140002A), PRODUCT NO. 954 1400-02

ENGINE



REPAIR PARTS

TRACTOR - MODEL NO. LT120 (954140002A), PRODUCT NO. 954 1400-02

ENGINE

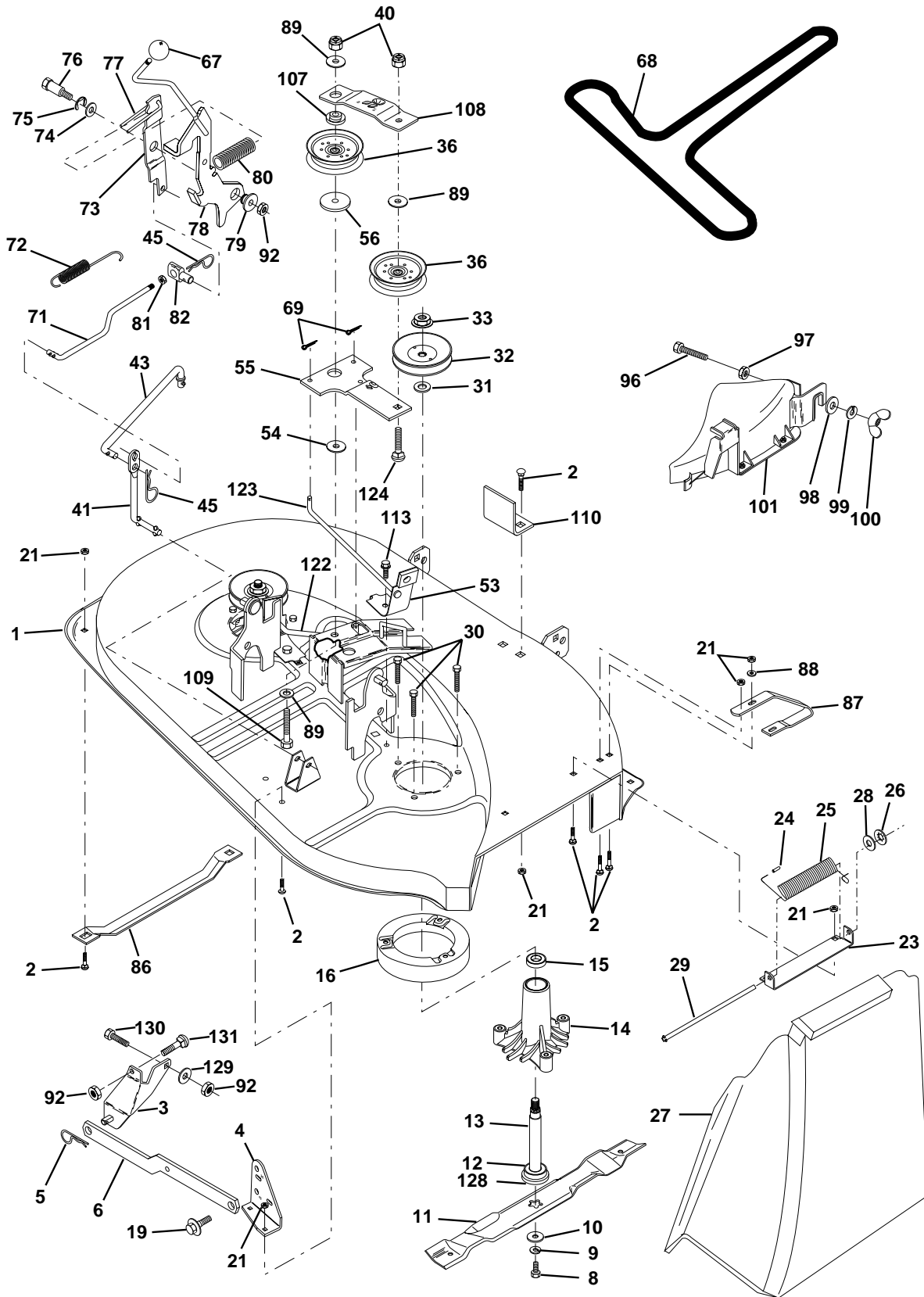
KEY NO.	PART NO.	DESCRIPTION
1	532 14 03-10	Control Th/ch 23 5 LH Flag
2	817 72 04-10	Screw Hex Thd Cut 1/4-20x5/8 T
3	-----	Engine B&S Model No. 285707
4	532 13 73-48	Muffler LT B&S 12/12.5/13HP
13	532 27 22-93	Gasket Eng 1 313 Id Tin Plated
14	813 28 03-24	Nipple Pipe 3/8 Npt X 3"
15	813 20 03-00	Elbow Std 90 Degree 3/8-18 Npt
16	811 05 06-00	Washer Lock Ext Tooth 3/8
23	532 15 61-23	Shield Heat
29	532 13 71-80	Kit Spark Arrestor (Flat Scrn)
31	532 14 02-80	Tank Fuel Front 2 00
32	532 14 05-27	Cap Asm Fuel W/sym Vented
33	532 12 34-87	Clamp Hose Black
35	817 49 05-12	Screw
37	532 13 70-40	Line Fuel 20"
38	-----	Plug Oil Drain (Order From Engine Manufacturer)
40	532 12 40-28	Bushing Snap Nyl Blk Fuel Line
44	817 49 04-12	Screw Hexwsh Thdrol 1/4-20x3/4
46	819 09 14-16	Washer 9/32 X 7/8 X 16 Ga
62	810 04 05-00	Washer Lock Hvy Hlcl Spr 5/16
72	871 07 05-12	Screw Hexhd Cap 5/16-18x 3/4
78	817 49 06-20	Screw Thdrol 3/8-16x1-1/4 TYTT
81	532 12 88-61	Nut Flange 1/4-20 Starter Nut

NOTE: All component dimensions given in U.S. inches
1 inch = 25.4 mm

REPAIR PARTS

TRACTOR - MODEL NO. LT120 (95414002A), PRODUCT NO. 954 1400-02

MOWER DECK



REPAIR PARTS

TRACTOR - MODEL NO. LT120 (954140002A), PRODUCT NO. 954 1400-02

MOWER DECK

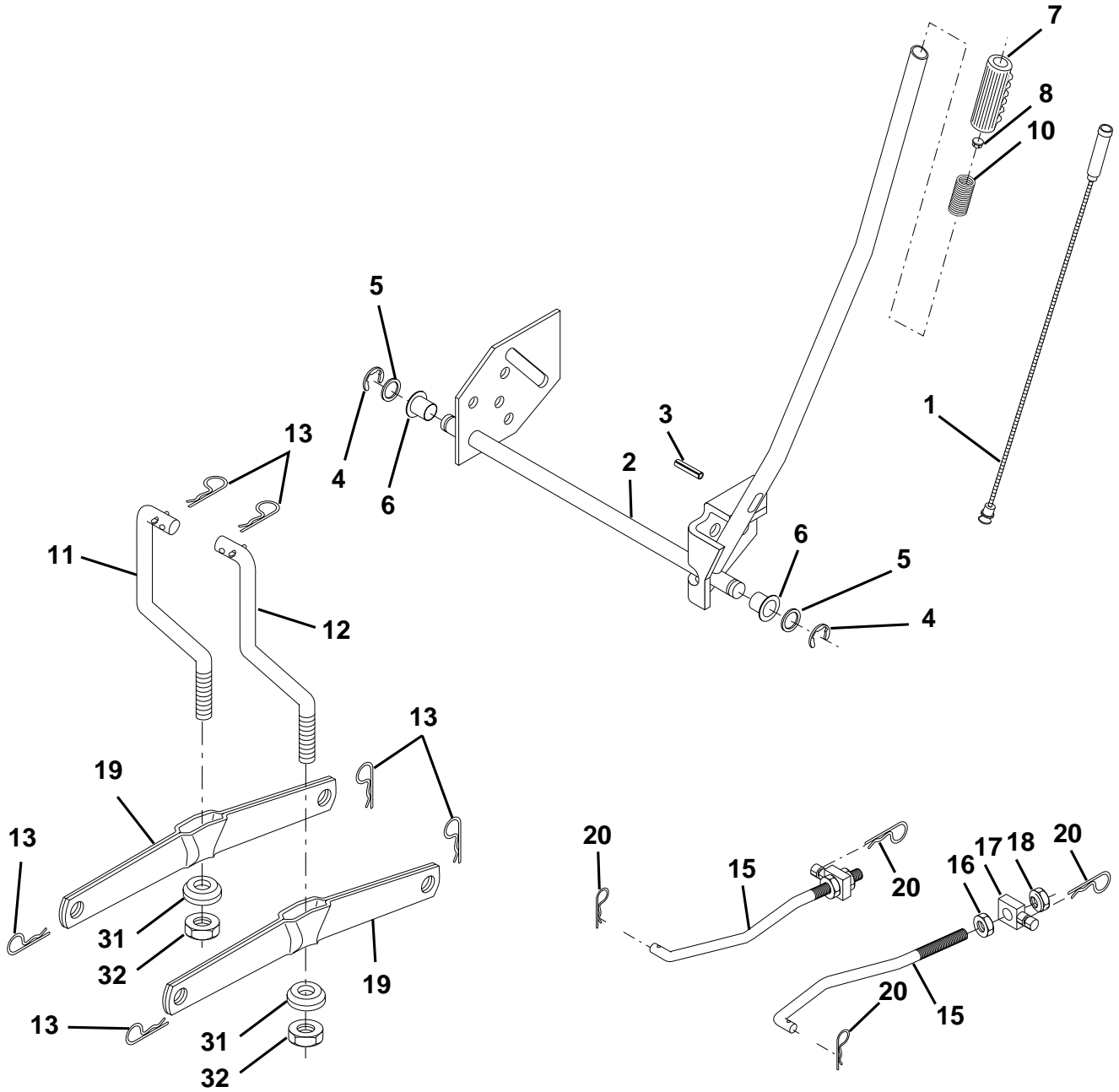
KEY NO.	PART NO.	DESCRIPTION	KEY NO.	PART NO.	DESCRIPTION
1	532 14 28-29	Asm Mower Housing	71	532 14 24-27	Rod Clutch Primary 38/42
2	872 14 05-06	Bolt Rdhd Sqnk 5/16-18unc X3/4	72	532 13 18-70	Spring Return
3	532 13 80-17	Bracket Asm Fr Sway Bar 38/42	73	532 12 78-47	Arm Clutch Secondary
4	532 13 84-40	Bracket Asm Deck Sway Bar	74	532 12 17-48	Washer 25/32 X 1-5/8 X 16 Ga
5	532 12 46-70	Retainer Spring	75	812 00 00-29	Ring Klip #t5304-75
6	532 13 08-32	Arm Suspension Rear	76	532 12 89-03	Bolt Shoulder 3/8-16 Unc 1 44
8	532 85 08-57	Bolt 3/8 - 24 X 1.25 Gr 8	77	532 12 78-45	Keeper Spring 4 000
9	810 03 06-00	Washer Lock Hvy 3/8	78	532 15 48-09	Arm Asm Clutch Primary
10	532 14 02-96	Washer Hard Blade Mower Vented	79	532 12 74-98	Bushing 747 Od X 794 Lg Brass
11	532 13 41-48	Blade Mower Mulching 38"	80	532 15 37-01	Spring Clutch Mower
12	532 12 98-95	Bearing Ball #6024 (Mandrel)	81	873 35 06-00	Nut Hex Jam 3/8-16
13	532 13 76-45	Shaft Asm W/lower Bearing	82	532 14 20-28	Trunnion Adj 94
14	532 12 87-74	Housing Mandrel Vented	86	532 12 50-74	Runner, LH
15	532 11 04-85	Bearing Ball Mandrel	87	532 12 87-72	Runner, RH
16	532 14 03-29	Stripper Mower Vented	88	819 11 12-16	Washer 11/32 x 3/4 x 16 Ga.
19	532 13 28-27	Bolt Shoulder	89	819 13 16-12	Washer 13/32 x 1 x 12 Ga.
21	873 68 05-00	Nut Crownlock 5/16-18 UNC	92	873 80 06-00	Nut Lock Hex W/Ins 3/8-16 Unc
23	532 13 76-07	Bracket Deflector Mower	96	874 93 06-20	Bolt 3/8-16 x 1-1/4 Mulcher
24	532 10 53-04	Cap Sleeve 80x 112 Blk Mower	97	873 93 06-00	Nut Crownlock 3/8-16 UNC
25	532 12 37-13	Spring Torsion Deflector 2 52	98	819 13 20-16	Washer 13/32 x 1-1/4 x 16 Ga.
26	532 11 04-52	Nut Push Phos & Oil	99	810 04 06-00	Washer Lock Hvy Hlcl Spr 3/8
27	532 10 67-36	Shield Deflector	100	532 13 56-51	Nut Wing
28	819 11 10-16	Washer 11/32 X 5/8 X 16 Ga	101	532 13 28-03	Cover Asm Mulching 38"
29	532 10 67-35	Rod Hinge	107	532 13 35-02	Spacer, Retainer
30	532 13 87-76	Screw Thdrol Hex Head Zinc Mwr	108	532 13 35-03	Stiffener, Idler Arm
31	532 12 99-63	Washer Spacer Mower Vented	109	874 76 06-40	Bolt, Hex Head 3/8-16 x 2-1/2
32	532 15 35-35	Pulley Mandrel	110	532 14 25-87	Upstop Deck Front 38"
33	532 13 72-66	Nut 9/16 Toplock Fling Oil Dip	113	817 49 05-12	Screw Thdrol 5/16-18 X 3/4
36	532 13 14-94	Pulley Idler Flat 3 060	122	532 13 12-89	Rod, Brake, LH
40	873 68 06-00	Nut Crownlock 3/8-16 UNC	123	532 13 12-88	Rod, Brake, RH
41	532 13 35-51	Rod Pivot W/nibs	124	872 11 06-14	Bolt, Carriage 3/8-16 x 1-3/4
43	532 13 35-04	Rod Clutch Secondary	128	532 15 33-90	Washer Felt
45	532 12 47-88	Spring Retainer 1" Zinc/cad	129	819 13 13-12	Washer 13/32 x 13/16 x 12 Ga.
53	532 13 08-40	Asm Brake	130	874 78 06-16	Bolt, Fin Hex 3/8-16 UNC x 1 Gr. 5
54	532 13 39-43	Washer Hardened	131	872 14 06-08	Bolt, Rdhd Sqnk 3/8-16 x 1
55	532 13 38-40	Arm Idler	--	532 13 07-94	Mandrel Asm Service (Includes Key Nos. 8-10, 12-15, 31 and 33)
56	532 12 20-52	Spacer Retainer Pm Mower	--	532 14 28-20	Mower Deck Complete
67	532 10 69-32	Knob Rd 1/2-13 Plstc Thds Blk			
68	532 14 42-00	V-Belt Mower			
69	876 02 03-12	Pin, Cotter 3/32 x 3/4			

NOTE: All component dimensions given in U.S. inches
1 inch = 25.4 mm

REPAIR PARTS

TRACTOR - MODEL NO. LT120 (954140002A), PRODUCT NO. 954 1400-02

MOWER LIFT



REPAIR PARTS

TRACTOR - MODEL NO. LT120 (954140002A), PRODUCT NO. 954 1400-02

MOWER LIFT

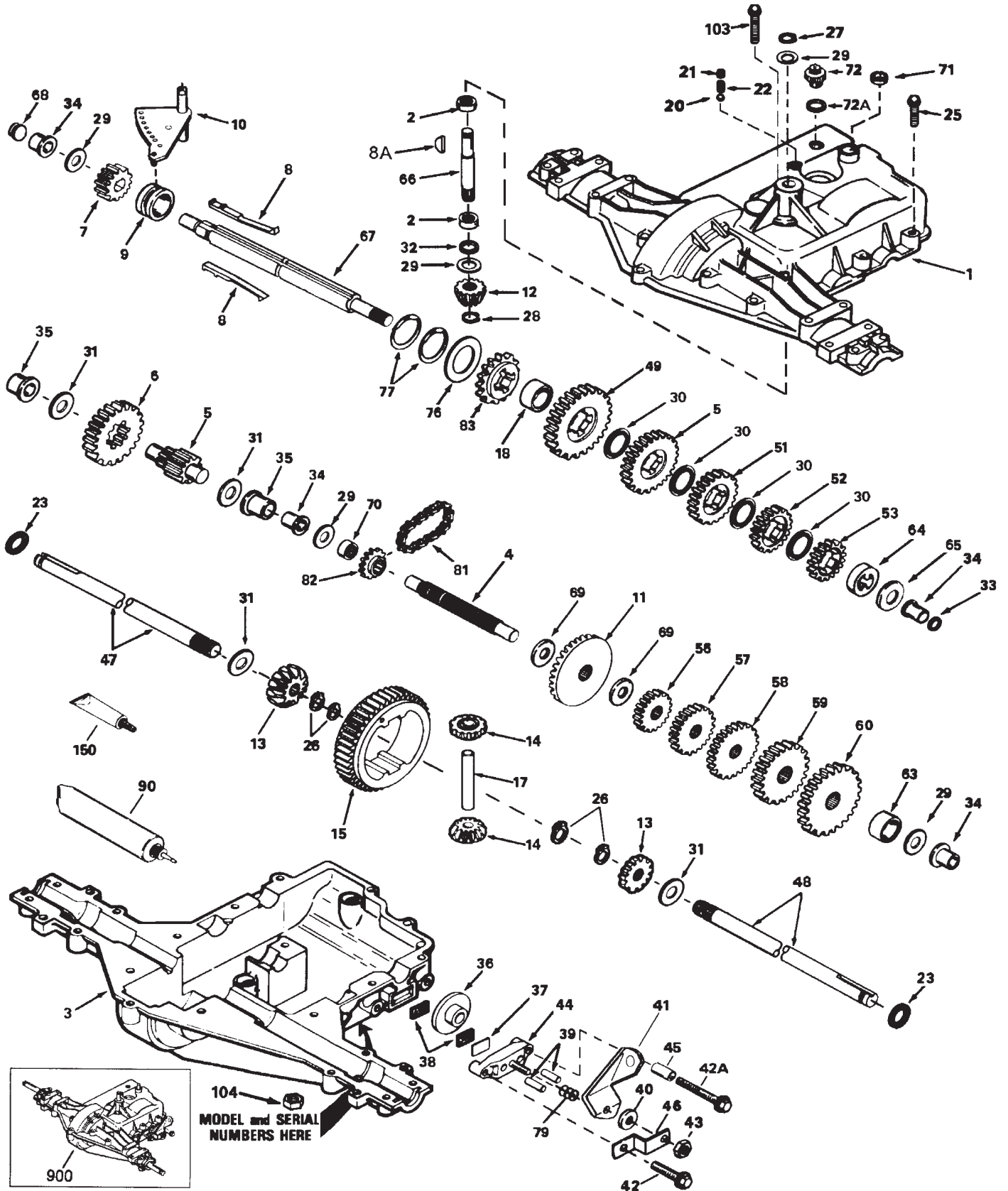
KEY NO.	PART NO.	DESCRIPTION
1	532 13 69-73	Wire Asm Inner W/plunger 17 32
2	532 14 51-17	Shaft Asm Lift
3	532 10 57-67	Pin Groove
4	812 00 00-02	E Ring #5133-62
5	819 21 16-21	Washer PLTD 21/32 X 1 X 21ga
6	532 12 01-83	Bearing Nylon Blk 629 Id
7	532 10 94-13	Grip Handle Bicycle
8	532 12 45-26	Button Plunger Black
10	532 12 25-12	Spring Cprsn 3 750 Oiled
11	532 13 98-65	Link Lift LH
12	532 13 98-66	Link Lift RH
13	532 12 46-70	Retainer Spring
15	532 12 72-18	Link Front
16	873 35 08-00	Nut Jam Hex 1/2-13 Unc
17	532 13 01-71	Trunnion Blk Zinc
18	873 80 08-00	Nut Lock W/wsh 1/2-13unc
19	532 13 98-68	Arm Suspension Rear
20	532 12 46-60	Spring, Retainer
31	532 14 03-02	Bearing Pvt. Lift Spherical
32	873 54 06-00	Nut Crownlock 3/8-24

NOTE: All component dimensions given in U.S. inches
1 inch = 25.4 mm

REPAIR PARTS

RACTOR - MODEL NO. LT120 (95414002A), PRODUCT NO. 954 1400-02

PEERLESS TRANSAXLE - MODEL NUMBER 930-054A



REPAIR PARTS

TRACTOR - MODEL NO. LT120 (954140002A), PRODUCT NO. 954 1400-02

PEERLESS TRANSAXLE - MODEL NUMBER 930-054A

REF PART NO. NO.	DESCRIPTION	REF PART NO. NO.	DESCRIPTION		
1	772108A	Cover, Transaxle	43	792075	Locknut 5/16-24
2	780086	Bearing, Needle	44	790025	Holder, Brake Pad
3	770102A	Case, Transaxle	45	786066	Spacer
4	776260	Shaft, Counter	46	786086	Bracket, Brake Lever
5	776219B	Shaft and Pinion Assembly, Output	47	774690	Axle 11-5/16" long
6	778139	Gear, Output	48	774691	Axle 16-1/2" long
7	778136	Gear, Spur, 15 Teeth	49	778215	Gear, Spur, 37 Teeth, Steel (1-)
8	792136A	Key, Shift	50	778124A	Gear, Spur, 30 Teeth (2-)
8A	792047	Key, Woodruff	51	778123A	Gear, Spur, 25 Teeth (3-)
9	784352	Collar, Shifter	52	778122A	Gear, Spur, 22 Teeth (4-)
10	784355	Rod and Fork Assembly, Shift	53	778273	Gear, Spur, 19 Teeth, Steel (5-)
11	778229	Gear, Bevel, 42 Teeth	56	778230	Gear, Spur, 12 Teeth (1-)
12	778113A	Bevel Pinion, Input	57	778126A	Gear, Spur, 20 Teeth (2-)
13	778221	Gear, Bevel	58	778127A	Gear, Spur, 25 Teeth (3-)
14	778068	Gear, Bevel Pinion	59	778128A	Gear, Spur, 28 Teeth (4-)
15	778260	Gear, Ring	60	778163	Gear, Spur, 31 Teeth (5-)
17	786139	Pin, Drive	63	786071	Spacer
18	786102	Spacer, Neutral	64	786072	Spacer
20	792077	Ball, Steel 5/16" diameter	65	780109	Washer, Thrust
21	792078	Set Screw 3/8-16 x 3/8	66	776135	Shaft, Input
22	792079	Spring	67	776315A	Shaft, Brake, 4 Keyed
23	788061	Ring, Seal	68	786116A	Plug
25	792073	Screw, Flanged Hex Head, Thread Forming 1/4-20 x 1-1/4	69	780051	Washer, Thrust
26	792125	Ring, Retainer (4 Required, Package of 2)	70	786118	Spacer
27	792035	Ring, Retainer	71	788069	Seal, Square Cut
28	788040	Ring, Retainer	72	792165	Plug, Threaded 9/16-18
29	780072	Washer, Thrust	72A	788091	"O" Ring
30	780108	Washer, Thrust	76	780090	Washer, Thrust
31	780001	Washer	77	788078A	Ring, Retaining, Inverted (Package of 2)
32	792001	"O" Ring	79	792144	Spring, Brake
33	788095	Seal, Square Cut	81	786081	Chain, Roller (Number 41 Chain, 24 Links)
34	780105A	Bushing, Flanged	82	786082	Sprocket, 9 Teeth (Reverse)
35	780118A	Bushing, Flanged	83	786123	Sprocket, 18 Teeth (Reverse)
36	790003	Disk, Brake	90	788067B	Grease, Bentonite, 32 Ounce Bottle
37	790007	Plate, Brake Pad	103	792166	Screw 1/4-20 x 2
38	799021	Pad, Brake	104	792167	Locknut 1/4-20
39	786026	Pin, Dowel	150	510334	Gasket Eliminator (Loctite #515)
40	792076A	Washer, Flat			
41	790079	Lever, Brake			
42	792073	Screw, Flanged Hex Head, Thread Forming 1/4-20 x 1-1/4			
42A	792085A	Screw 1/4-20 x 2-1/4			

NOTE: All component dimensions given in U.S. inches
1 inch = 25.4 mm

Parts must be ordered from Tecumseh Products Co.