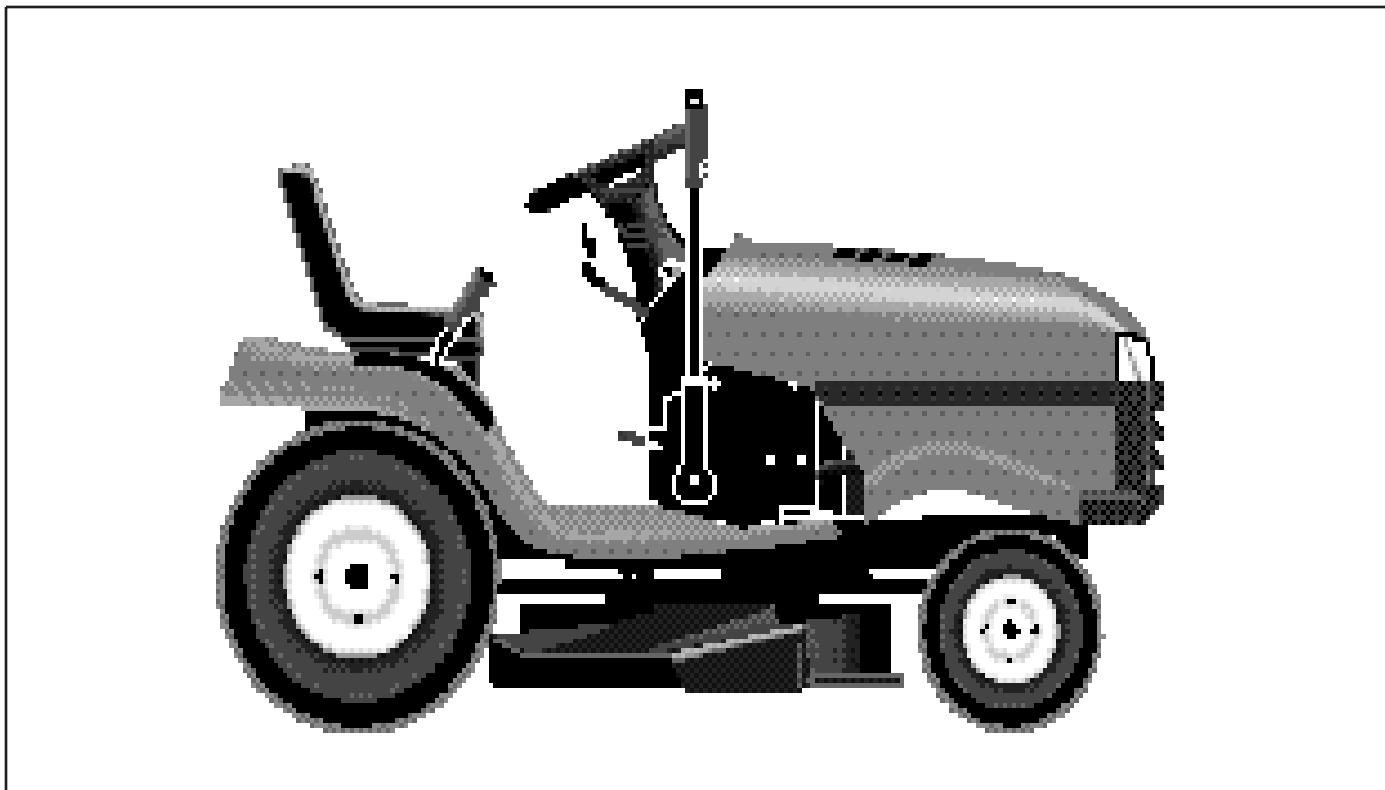
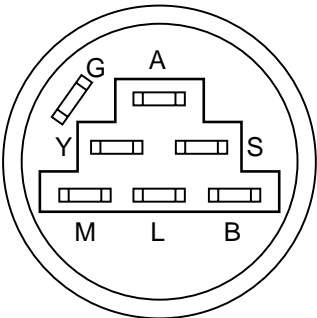
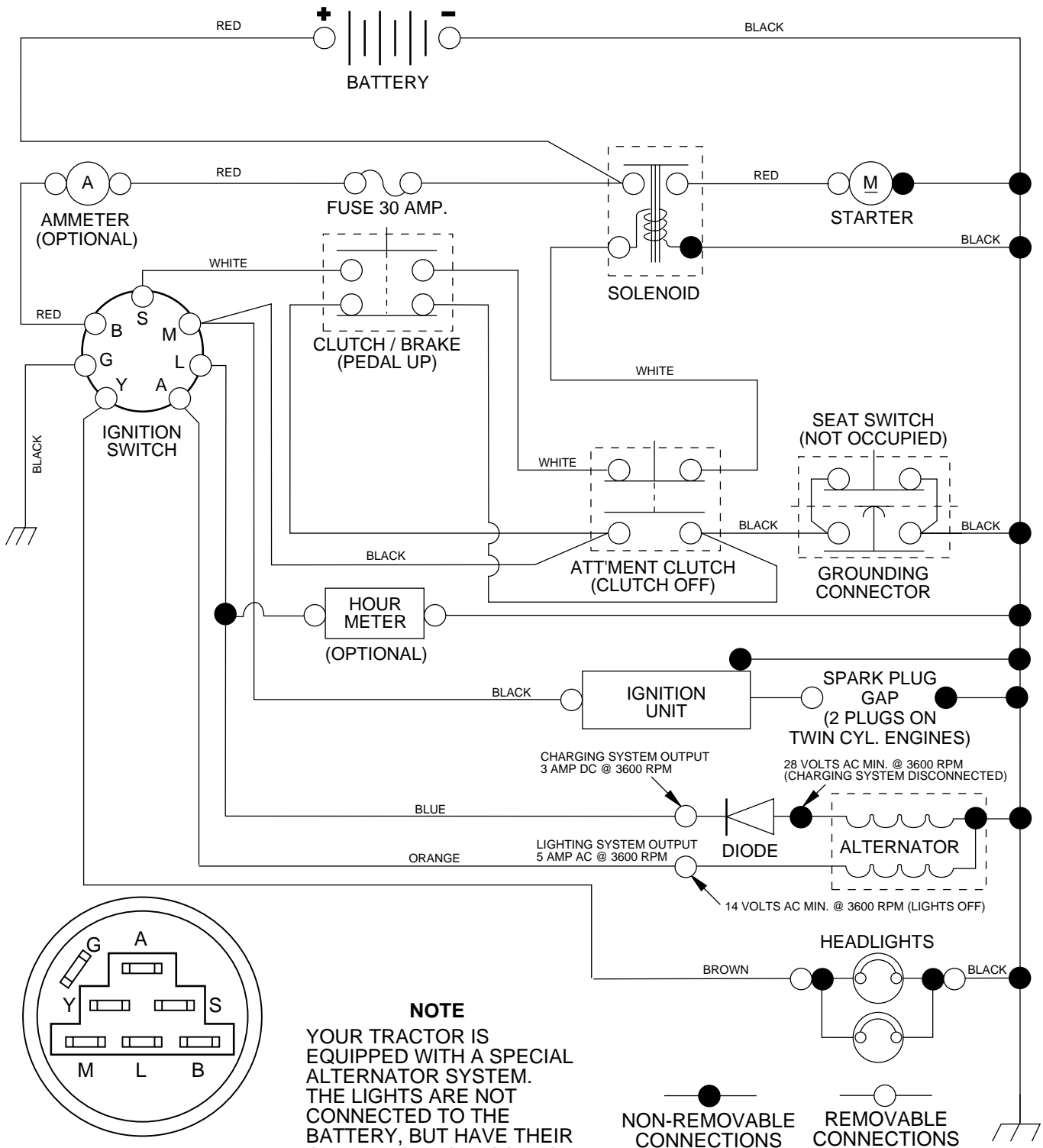


## LT 130



**1.1997**  
**Spare Parts**

**954 14 00-04A**



**IGNITION SWITCH**

| POSITION  | CIRCUIT   | "MAKE" |
|-----------|-----------|--------|
| OFF       | G + M + L | NONE   |
| RUN/LIGHT | B + L     | A + Y  |
| RUN       | B + L     | NONE   |
| START     | B + L + S | NONE   |

**NOTE**  
 YOUR TRACTOR IS EQUIPPED WITH A SPECIAL ALTERNATOR SYSTEM. THE LIGHTS ARE NOT CONNECTED TO THE BATTERY, BUT HAVE THEIR OWN ELECTRICAL SOURCE. BECAUSE OF THIS, THE BRIGHTNESS OF THE LIGHTS WILL CHANGE WITH ENGINE SPEED. AT IDLE THE LIGHTS WILL DIM. AS THE ENGINE IS SPEEDED UP, THE LIGHTS WILL BECOME THEIR BRIGHTEST.



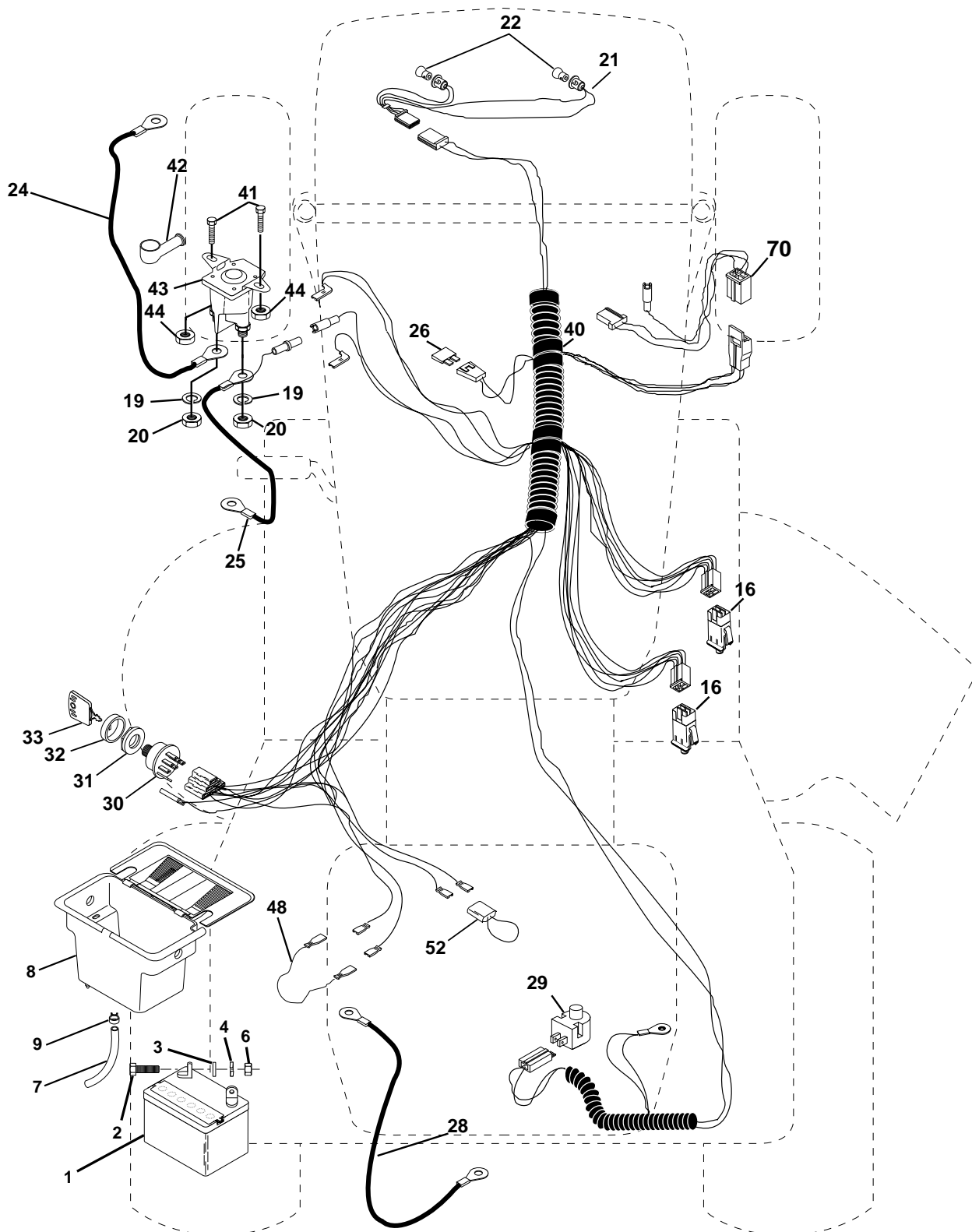
**WIRING INSULATED CLIPS**

**NOTE:** IF WIRING INSULATED CLIPS WERE REMOVED FOR SERVICING OF UNIT, THEY SHOULD BE REPLACED TO PROPERLY SECURE YOUR WIRING.

# REPAIR PARTS

TRACTOR - MODEL NO. LT130 (954140004A), PRODUCT NO. 954 1400-04

## ELECTRICAL



# REPAIR PARTS

TRACTOR - MODEL NO. LT130 (954140004A), PRODUCT NO. 954 1400-04

## ELECTRICAL

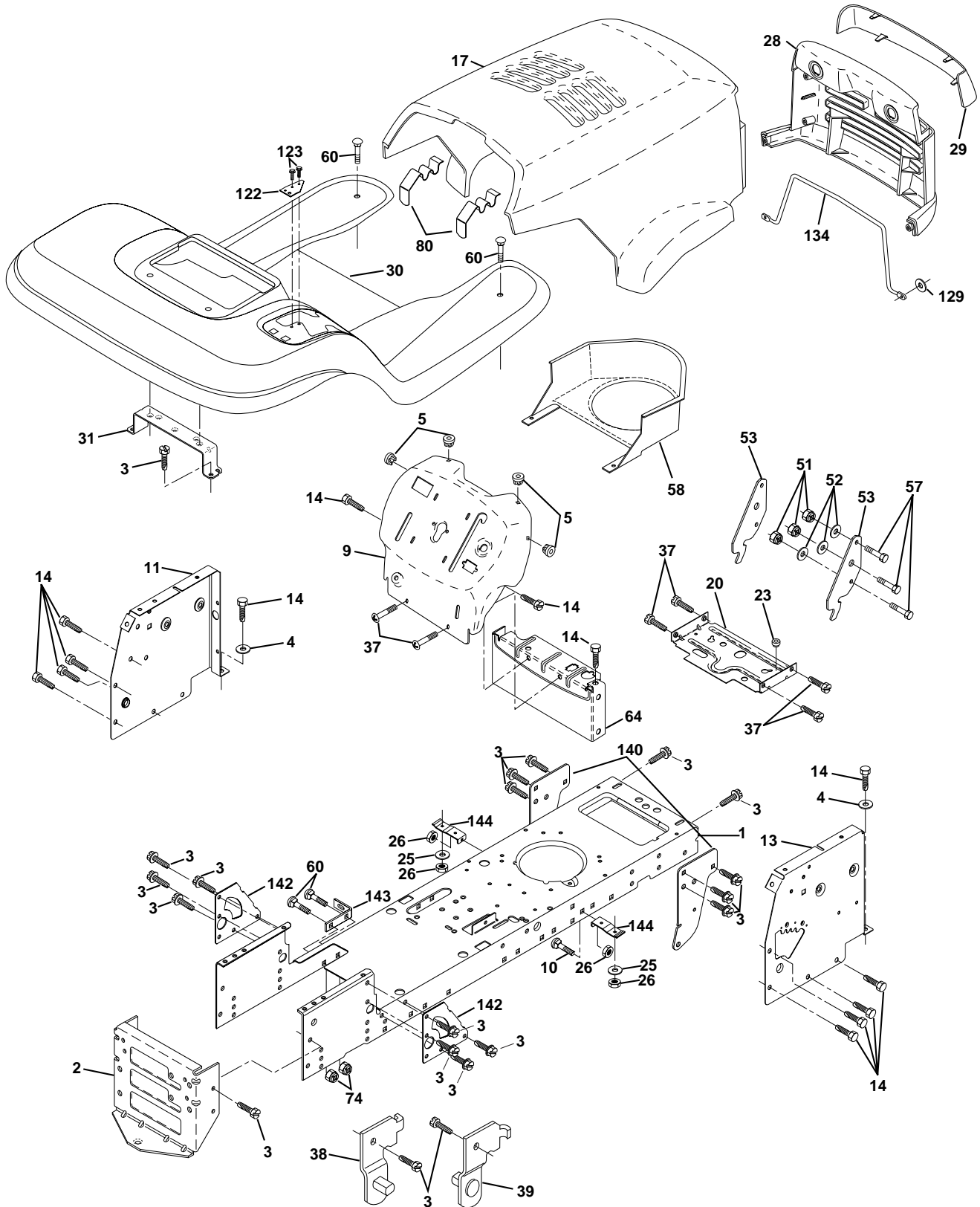
| KEY NO. | PART NO.     | DESCRIPTION                          |
|---------|--------------|--------------------------------------|
| 1       | 532 14 61-39 | Battery 12 Volt 25 AMP               |
| 2       | 874 76 04-12 | Bolt Hex Hd 1/4-20unc X 3/4          |
| 3       | 819 09 10-16 | Washer 9/32 X 5/8 X 16 Ga.           |
| 4       | 810 04 04-00 | Washer Lock Hvy Helical 1/4          |
| 6       | 873 22 04-00 | Nut Fin Hex 1/4-20 Unc               |
| 7       | 532 10 92-38 | Tube Plastic 12"                     |
| 8       | 532 15 64-17 | Case Battery Mech Hinge              |
| 9       | 532 10 95-96 | Clamp Hose Olive                     |
| 16      | 532 15 36-64 | Switch Interlock Push-In             |
| 19      | 810 09 04-00 | Washer Lock 1/4                      |
| 20      | 873 35 04-00 | Nut Jam Hex 1/4-20 Unc               |
| 21      | 532 13 68-50 | Harness Asm Light W/4152j            |
| 22      | 532 00 41-52 | Bulb Light #1156                     |
| 24      | 532 12 47-80 | Cable Battery 6 Ga 11" red           |
| 25      | 532 14 61-47 | Cable Battery 6 Ga 44" red w/16 wire |
| 26      | 532 10 88-24 | Fuse 30 AMP Auto Green               |
| 28      | 532 12 47-73 | Cable Ground 6 Ga 12" black          |
| 29      | 532 12 13-05 | Switch Plunger Nc Gray               |
| 30      | 532 14 03-01 | Switch Ign 4 pos w/lights            |
| 31      | 532 12 42-11 | Nut Ignition                         |
| 32      | 532 14 12-26 | Cover Sw Ignition                    |
| 33      | 532 12 21-47 | Key Ign Modelled Generic             |
| 40      | 532 15 64-42 | Harness Ign.                         |
| 41      | 871 11 04-08 | Bolt Blk Fin Hex 1/4 - 20 x 1/2      |
| 42      | 532 13 15-63 | Cover Terminal Red                   |
| 43      | 532 14 56-73 | Solenoid                             |
| 44      | 873 64 04-00 | Nut Keps Hex 1/4-20 Unc              |
| 48      | 532 14 08-44 | Adapter Ammeter Rectangular          |
| 52      | 532 14 19-40 | Protection Wire Loop                 |
| 70      | 532 14 04-13 | Harness, Eng. B&S/Tec Dual           |

**NOTE:** All component dimensions given in U.S. inches.  
1 inch = 25.4 mm.

# REPAIR PARTS

TRACTOR - MODEL NO. LT130 (954140004A), PRODUCT NO. 954 1400-04

## CHASSIS AND ENCLOSURES



# REPAIR PARTS

TRACTOR - MODEL NO. LT130 (954140004A), PRODUCT NO. 954 1400-04

## CHASSIS AND ENCLOSURES

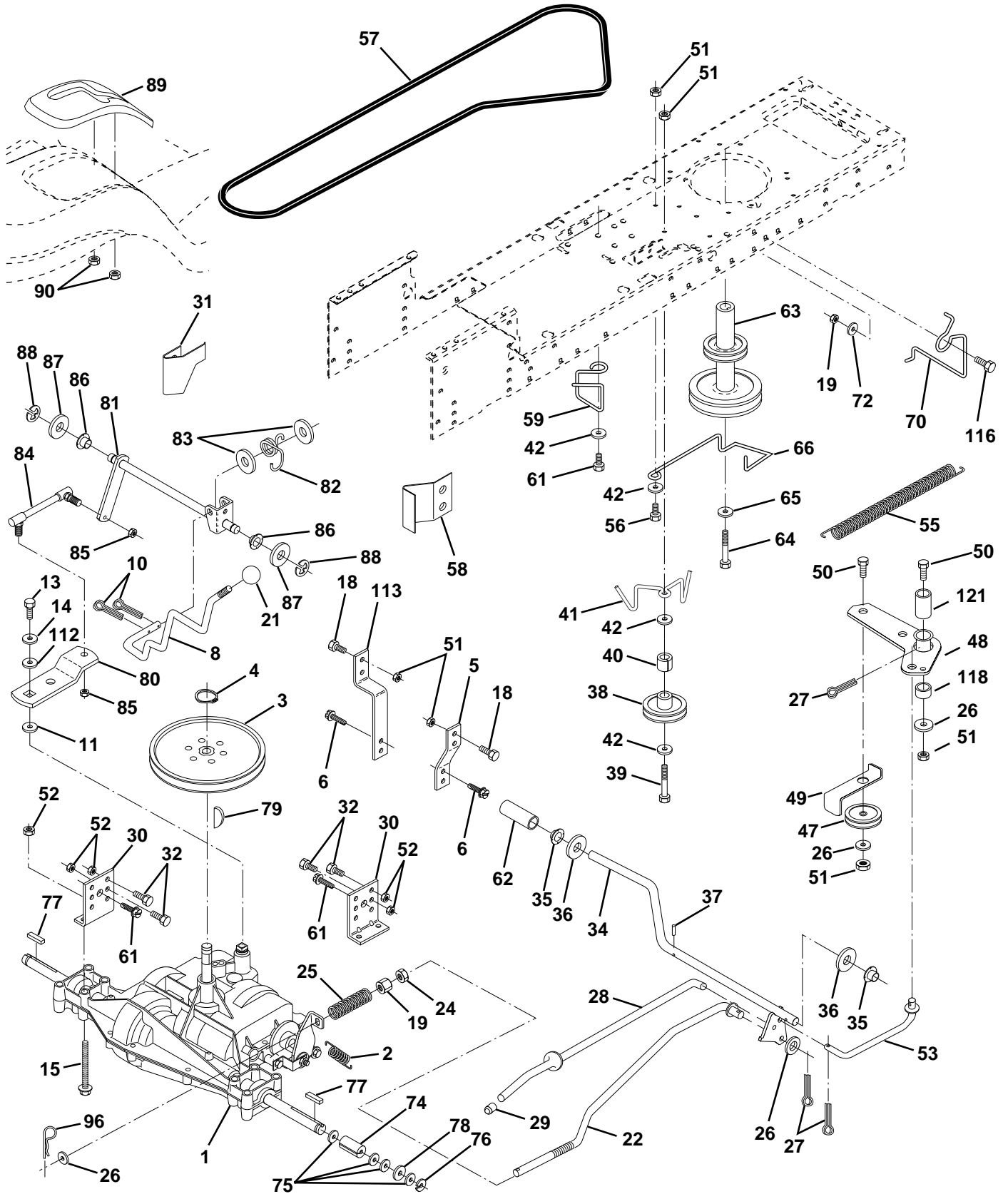
| KEY NO. | PART NO.     | DESCRIPTION                           |
|---------|--------------|---------------------------------------|
| 1       | 532 15 38-71 | Chassis Weldment                      |
| 2       | 532 14 03-56 | Drawbar, Stretch                      |
| 3       | 817 49 06-12 | Screw Thdrol 3/8-16x3/4 Ty-tt         |
| 4       | 819 13 12-16 | Washer 13/32 x 3/4 x 16 Ga.           |
| 5       | 532 15 52-72 | Bumper Hood/Dash                      |
| 9       | 532 15 72-61 | Dash P/L M, N/AMM N/HM Grey           |
| 10      | 872 14 06-08 | Bolt Carriage 3/8-16 x 1              |
| 11      | 532 15 59-27 | Panel Dash Lh                         |
| 13      | 532 15 72-62 | Panel Dash Rh                         |
| 14      | 817 49 06-08 | Screw Thdrol 3/8-16x1/2 Ty-tt         |
| 17      | 532 15 60-51 | Hood LT/PL Husqvarna                  |
| 20      | 532 15 64-37 | Plate Mtg Battery Fuel Tank Fr        |
| 23      | 532 12 40-28 | Bushing                               |
| 25      | 819 13 13-12 | Washer 13/32 X 13/16 X 12 Ga          |
| 26      | 873 80 06-00 | Nut Lock Hex W/Ins 3/8-16 Unc         |
| 28      | 532 14 97-76 | Grille LT/PL Husqvarna                |
| 29      | 532 14 97-77 | Lens LT/PL Husqvarna                  |
| 30      | 532 15 64-89 | Fender Footrest STLT Pnt              |
| 31      | 532 13 99-76 | Bracket Support Fender                |
| 37      | 817 49 05-08 | Screw Thdrol 6/16-18 x 1/2 TYT        |
| 38      | 532 13 98-86 | Bracket, Asm. Pivot, L.H., Mower Rear |
| 39      | 532 13 98-87 | Bracket, Asm. Pivot, R.H., Mower Rear |
| 51      | 873 80 04-00 | Nut Lock Hex W/Ins 1/4-20             |
| 52      | 819 09 14-16 | Washer 9/32 x 7/8 x 16 Ga.            |
| 53      | 532 15 00-67 | Bracket Pnt. Pick off LT/PL Husqvarna |
| 57      | 874 78 04-12 | Bolt Hex 1/4-20 x 3/4                 |
| 58      | 532 15 01-27 | Air Duct Engine P/L                   |
| 60      | 872 14 06-06 | Bolt Rdhd Sqnk 3/8-16unc x 3/4        |
| 64      | 532 15 47-98 | Dash Lower STLT                       |
| 74      | 873 68 06-00 | Nut Crownlock 3/8-16 UNC              |
| 80      | 532 15 58-54 | Latch Hood Plm Husqvarna              |
| 129     | 819 09 10-16 | Washer 9/32 x 5/8 x 16 Ga.            |
| 134     | 532 15 01-32 | Rod Support Hood LT/PL Husq.          |
| 140     | 532 15 05-56 | Bracket Chassis Front 7 Ga.           |
| 142     | 532 15 60-95 | Plate Reinforcement STLT              |
| 143     | 532 15 49-66 | Bracket Swaybar Chassis               |
| 144     | 532 15 42-07 | Bracket Pnt Footrest STLT             |
| 146     | 532 15 43-34 | Screw Torx Hd Thd 5/16-18 UN-2A       |
| --      | 532 00 54-79 | Plug Button                           |

**NOTE:** All component dimensions given in U.S. inches  
1 inch = 25.4 mm

# REPAIR PARTS

TRACTOR - MODEL NO. LT130 (954140004A), PRODUCT NO. 954 1400-04

## DRIVE



# REPAIR PARTS

TRACTOR - MODEL NO. LT130 (954140004A), PRODUCT NO. 954 1400-04

## DRIVE

| KEY PART NO. | NO.          | DESCRIPTION                          | KEY PART NO. | NO.          | DESCRIPTION                     |
|--------------|--------------|--------------------------------------|--------------|--------------|---------------------------------|
| 1            | -----        | Transaxle (See Breakdown)            | 51           | 873 68 06-00 | Nut Crownlock 3/8-16 Unc        |
|              |              | Peerless 930-055A                    | 52           | 873 68 05-00 | Nut Crownlock 5/16-18 Unc       |
| 2            | 532 14 66-82 | Spring Return Brake T/a Zinc         | 53           | 532 10 57-10 | Link Clutch                     |
| 3            | 532 12 36-66 | Pulley Transaxle 18" tires           | 55           | 532 10 57-09 | Spring Return Clutch 6 75       |
| 4            | 812 00 00-28 | Ring Retainer # 5100-62              | 56           | 874 76 06-20 | Bolt Fin Hx 3/8-16 X 1/4        |
| 5            | 532 12 15-20 | Strap Torque 30 Degrees              | 57           | 532 13 08-01 | V-Belt Ground Drive 95 25       |
| 6            | 817 49 05-12 | Screw Thdrol 5/16-18 X 3/4 TYT       | 58           | 532 12 72-74 | Keeper Belt RH LT Pnt/zinc 16g  |
| 8            | 532 15 47-92 | Rod Shifter                          | 59           | 532 14 03-12 | Keeper Belt Span Ctr            |
| 10           | 876 02 04-16 | Pin Cotter 1/8 X 1 Cad               | 61           | 817 49 06-12 | Screw Thdrol 3/8-16x3/4 Ty-tt   |
| 11           | 532 10 57-01 | Washer Plate Shf 388 Sq Hole         | 62           | 532 12 48-72 | Cover Pedal Blk Round           |
| 13           | 874 55 04-12 | Bolt 1/4-28 Unf Gr 8 W/Patch         | 63           | 532 14 01-86 | Engine Pulley LT/YT             |
| 14           | 810 04 04-00 | Washer Lock Hvy Helical 1/4          | 64           | 871 17 07-64 | Bolt Hex                        |
| 15           | 874 49 05-44 | Bolt Hex 5/16-18 Gr. 5               | 65           | 810 04 07-00 | Washer Lock Hvy Hlcl Spr 7/16   |
| 18           | 874 78 06-16 | Bolt, Fin Hex 3/8-16 UNC x 1 Gr. 5   | 66           | 532 15 47-78 | Keeper Belt Engine Foolproof    |
| 19           | 873 80 06-00 | Nut Lock 3/8-16 Unc                  | 70           | 532 13 46-83 | Guide Belt Mower Drive RH       |
| 21           | 532 12 12-74 | Knob                                 | 72           | 819 13 20-12 | Washer 13/32 X 1-1/4 X 12 Ga    |
| 22           | 532 13 08-04 | Rod Brake Blk Zinc 26 840            | 74           | 532 13 70-57 | Spacer Axle                     |
| 24           | 873 35 06-00 | Nut Hex Jam 3/8-16 Unc               | 75           | 532 12 17-49 | Washer 25/32 X 1 1/4 X 16 Ga    |
| 25           | 532 10 68-88 | Spring Rod Brake 2 00 Zinc           | 76           | 812 00 00-01 | E-ring #5133-75                 |
| 26           | 819 13 13-16 | Washer 13/32 X 13/16 X 16 Ga         | 77           | 532 12 35-83 | Key Square 2 0 X 1845/ 1865     |
| 27           | 876 02 04-12 | Pin Cotter 1/8 X 3/4 Cad             | 78           | 532 12 17-48 | Washer 25/32 X 1-5/8 X 16 Ga    |
| 28           | 532 14 52-04 | Rod Brake Parking LT/YT              | 79           | 532 12 50-96 | Key Woodruff #9 3/16 x 3/4      |
| 29           | 532 07 16-73 | Cap Brake Parking Black              | 80           | 532 13 14-86 | Arm Shift                       |
| 30           | 532 13 08-07 | Bracket Mtg Transaxle                | 81           | 532 15 60-43 | Shaft Asm Cross 20"t            |
| 31           | 532 12 72-75 | Keeper Belt LH LT 14 Ga              | 82           | 532 12 37-82 | Spring Torsion T/a              |
| 32           | 874 76 05-12 | Bolt Hex Hd 5/16-18unc X 3/4         | 83           | 819 17 12-16 | Washer 17/32 X 3/4 X 16 Ga      |
| 34           | 532 15 50-71 | Shaft Asm Pedal Foot                 | 84           | 532 12 37-93 | Rod Shift                       |
| 35           | 532 12 01-83 | Bearing Nylon Blk 629 Id             | 85           | 532 15 03-60 | Nut Lock Center 1/4 - 28 FNTHD  |
| 36           | 819 21 16-16 | Washer 21/32 X 1 X 16 Ga             | 86           | 532 07 12-08 | Bushing Rod Strg 629/632 Id     |
| 37           | 532 12 49-63 | Pin Roll 3/16 X 1"                   | 87           | 819 21 20-16 | Washer 21/32 X 1-1/4 X 16 Ga    |
| 38           | 532 12 36-74 | Pulley Idler Flat                    | 88           | 812 00 00-08 | Ring Klip #5304-62              |
| 39           | 874 76 06-44 | Bolt Fin Hex 3/8-16unc X 2-3/4       | 89           | 532 15 48-86 | Console Shift STLT              |
| 40           | 532 12 49-65 | Spacer Split 395 X 59 Bzp            | 90           | 532 12 43-46 | Nut Self-thd Wsh-hd 1/4 Zinc    |
| 41           | 532 15 47-77 | Keeper Belt Retainer Idler Foolproof | 96           | 532 12 47-88 | Retainer Spring 1"              |
| 42           | 819 13 13-12 | Washer 13/32 X 13/16 X 12 Ga         | 112          | 819 09 12-10 | Washer 9/32 x 3/4 x 10 Ga.      |
| 47           | 532 12 77-83 | Pulley Idler V Groove Plastic        | 113          | 532 12 72-85 | Strap Torque LT                 |
| 48           | 532 15 46-04 | Bellcrank Asm                        | 116          | 872 11 06-10 | Bolt Rdhd Sq Neck 3/8-16 x 1.25 |
| 49           | 532 12 32-05 | Retainer Belt Style Spring           | 118          | 532 15 47-74 | Spacer Bellcrank                |
| 50           | 874 76 06-24 | Bolt Hex Hd 3/8-16unc X 1-1/2        | 121          | 532 15 44-19 | Nyliner Clutching STL           |

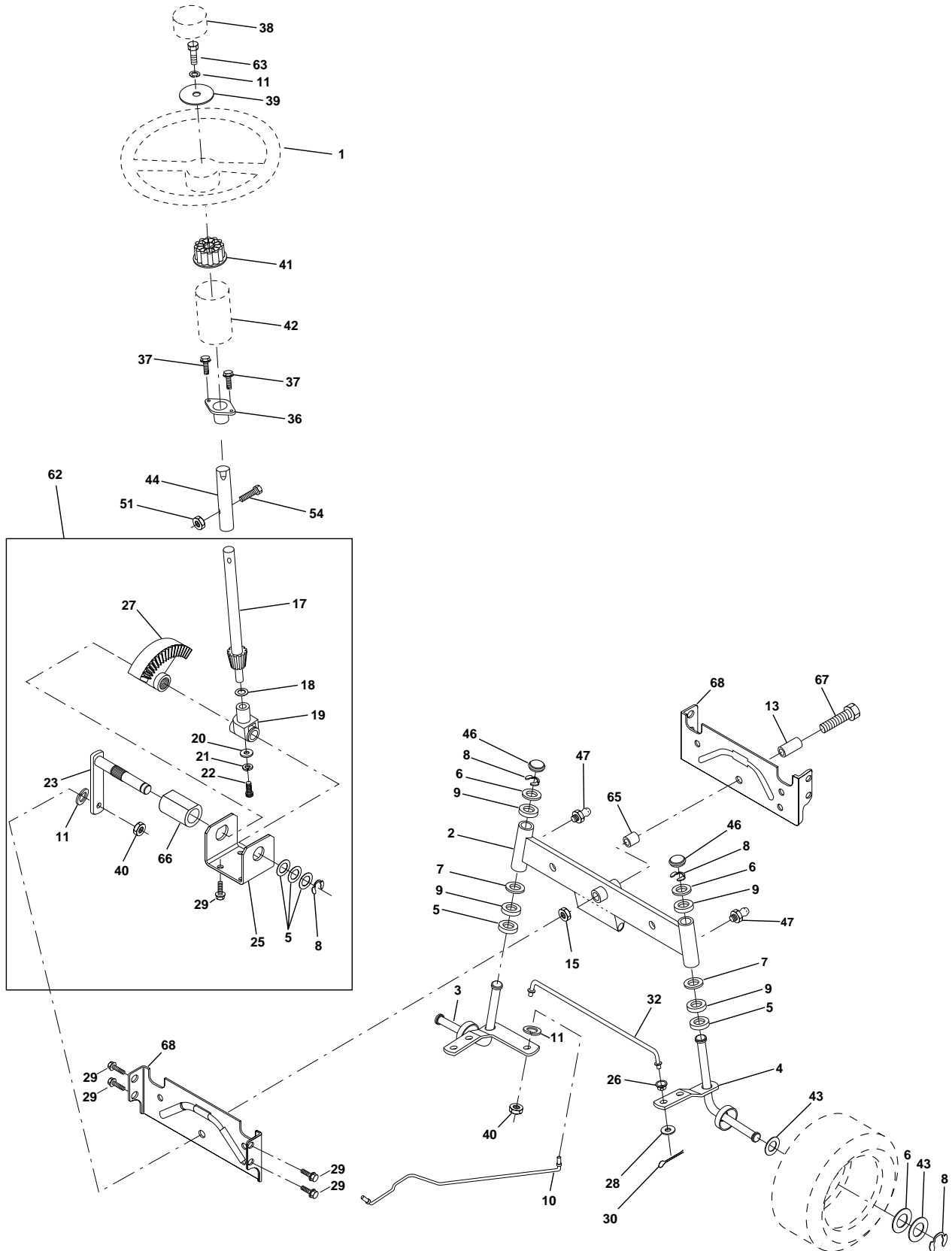
**NOTE:** All component dimensions given in U.S. inches  
1 inch = 25.4 mm



# REPAIR PARTS

TRACTOR - MODEL NO. LT130 (954140004A), PRODUCT NO. 954 1400-04

## STEERING ASSEMBLY



# REPAIR PARTS

TRACTOR - MODEL NO. LT130 (954140004A), PRODUCT NO. 954 1400-04

## STEERING ASSEMBLY

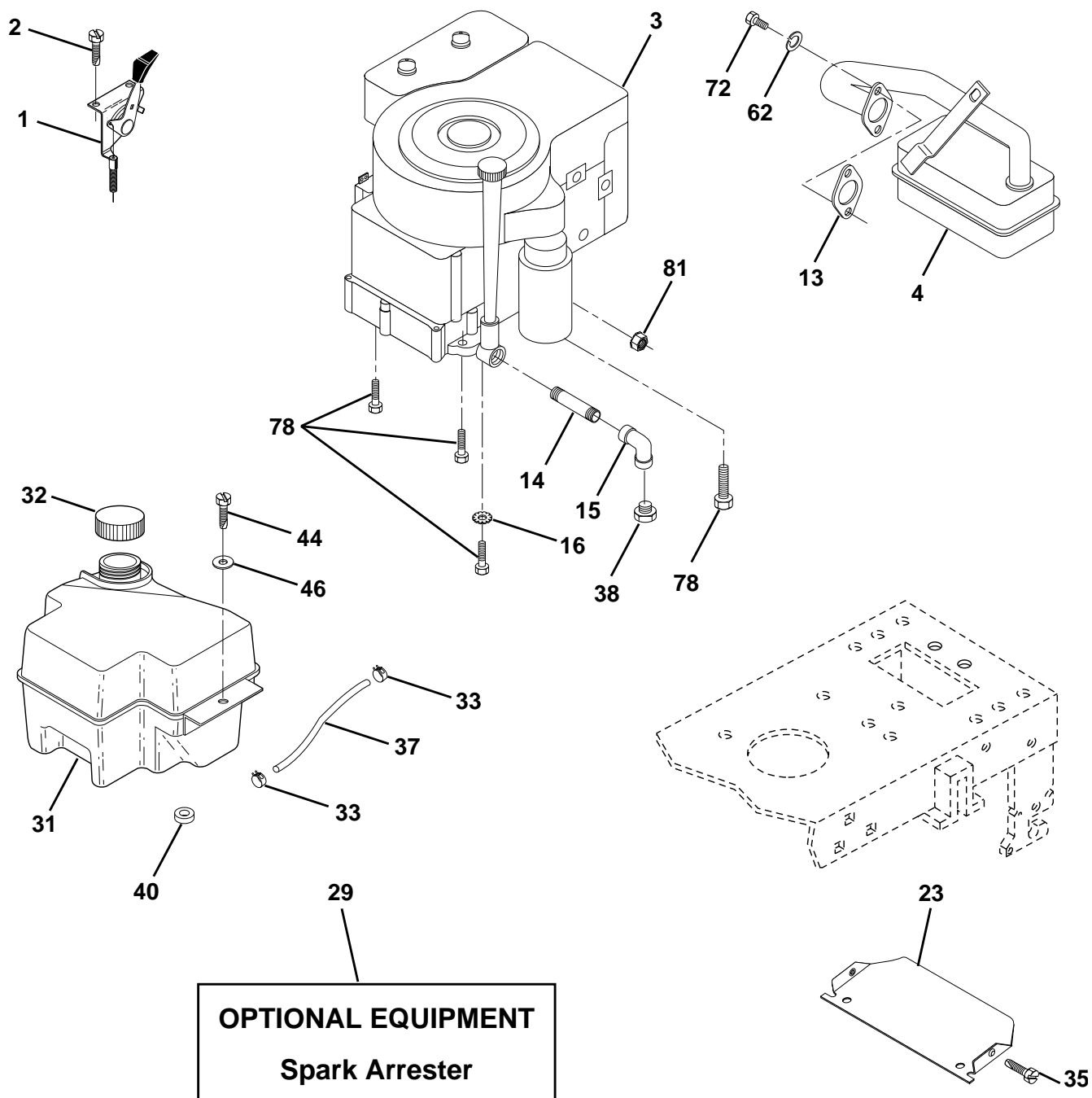
| KEY NO. | PART NO.     | DESCRIPTION                      |
|---------|--------------|----------------------------------|
| 1       | 532 12 44-15 | Wheel Steering                   |
| 2       | 532 15 44-27 | Axle Asm STMP Dropped STL        |
| 3       | 532 15 44-22 | Spindle Asm LH                   |
| 4       | 532 15 44-23 | Spindle Asm RH                   |
| 5       | 532 12 49-31 | Bearing Race Thrust Harden       |
| 6       | 532 12 17-48 | Washer 25/32 X 1-5/8 X 16 Ga     |
| 7       | 819 27 20-16 | Washer 27/32 X 1-1/4 X 16 Ga     |
| 8       | 812 00 00-29 | Ring Klip #t5304-75              |
| 9       | 532 12 49-37 | Bearing Col Strg Blk             |
| 10      | 532 15 64-38 | Link Drag Extended Stamp         |
| 11      | 810 04 06-00 | Washer Lock Hvy Hlcl Spr 3/8     |
| 13      | 532 15 47-79 | Bearing Axle STLT/GT             |
| 15      | 873 90 10-00 | Nut Lock Flange 5/8-11 Unc       |
| 17      | 532 15 65-46 | Shaft Asm Strg                   |
| 18      | 532 05 70-79 | Washer Thrust 515x 750x 033      |
| 19      | 532 12 40-35 | Support Shaft                    |
| 20      | 532 12 66-84 | Washer Shim 1/4 X 5/8 X 062      |
| 21      | 810 04 04-00 | Washer Lock Hvy Helical 1/4      |
| 22      | 871 10 04-10 | Screw Cap Sckt Hd Phos & Oil     |
| 23      | 532 12 75-01 | Shaft Asm Pittman                |
| 25      | 532 15 44-06 | Bracket Steering                 |
| 26      | 532 12 68-47 | Bushing Link Drag Blk LR         |
| 27      | 532 13 68-74 | Gear Sector                      |
| 28      | 819 13 14-16 | Washer 13/32 X 7/8 X 16 Ga       |
| 29      | 817 49 06-12 | Screw Thdrol 3/8-16x3/4 Ty-tt    |
| 30      | 876 02 04-12 | Pin Cotter 1/8 X 3/4 Cad         |
| 32      | 532 13 04-65 | Rod Tie Wire Form 19 75 Mech     |
| 36      | 532 15 50-99 | Bushing Strg                     |
| 37      | 532 15 29-27 | Screw                            |
| 38      | 532 12 44-16 | Insert Cap Strg Wh Au            |
| 39      | 819 13 38-08 | Washer 13/32 X 2-3/8 X 8 Ga      |
| 40      | 532 12 47-01 | Lock nut                         |
| 41      | 532 10 07-11 | Adaptor Wheel Strg               |
| 42      | 532 15 50-92 | Boot Steering Shaft              |
| 43      | 532 12 17-49 | Washer 25/32 X 1 1/4 X 16 Ga     |
| 44      | 532 15 37-20 | Extension Steering Shaft LR/LT   |
| 46      | 532 12 12-32 | Cap Spindle Fr Top Blk           |
| 47      | 532 12 48-36 | Fitting Grease                   |
| 51      | 873 80 05-00 | Nut Lock Hex w/Ins 5/16-18       |
| 54      | 874 78 05-20 | Bolt Fin Hex 5/16-18 Unc x 1-1/4 |
| 62      | 532 15 65-94 | Kit, Steering Assembly Svc       |
| 63      | 874 78 06-16 | Bolt Fin Hex 3/8-16unc x 1 Gr. 5 |
| 65      | 532 15 47-80 | Spacer Axle                      |
| 66      | 532 15 44-04 | Bearing Arm Pittman              |
| 67      | 874 78 10-44 | Bolt, Fin Hex 5/8-11 UNC x 2-3/4 |
| 68      | 532 15 44-29 | Axle, Brace                      |

**NOTE:** All component dimensions given in U.S. inches.  
1 inch = 25.4 mm.

# REPAIR PARTS

TRACTOR - MODEL NO. LT130 (954140004A), PRODUCT NO. 954 1400-04

## ENGINE



# REPAIR PARTS

TRACTOR - MODEL NO. LT130 (954140004A), PRODUCT NO. 954 1400-04

## ENGINE

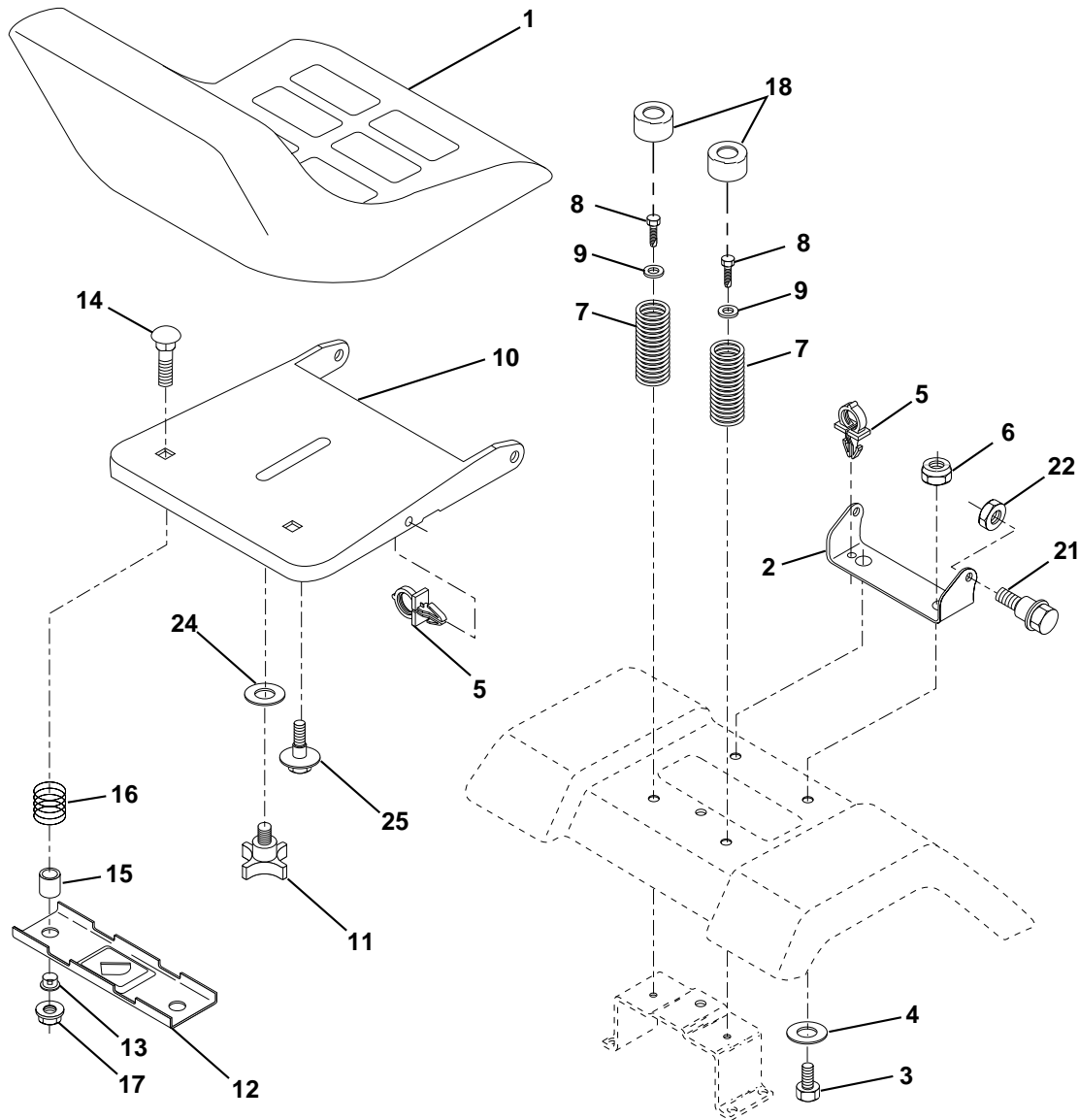
| KEY NO. | PART NO.     | DESCRIPTION                                     |
|---------|--------------|---|
| 1       | 532 14 03-10 | Control Th/ch 23 5 LH Flag                      |
| 2       | 817 72 04-10 | Screw Hex Thd Cut 1/4-20x5/8 T                  |
| 3       | -----        | Engine B&S Model No. 28M707                     |
| 4       | 532 13 73-48 | Muffler LT B&S 12/12.5/13HP                     |
| 13      | 532 27 22-93 | Gasket Eng 1 313 Id Tin Plated                  |
| 14      | 813 28 03-24 | Nipple Pipe 3/8 Npt X 3"                        |
| 15      | 813 20 03-00 | Elbow Std 90 Degree 3/8-18 Npt                  |
| 16      | 811 05 06-00 | Washer Lock Ext Tooth 3/8                       |
| 23      | 532 15 61-23 | Shield Heat                                     |
| 29      | 532 13 71-80 | Kit Spark Arrestor (Flat Scrn)                  |
| 31      | 532 14 02-80 | Tank Fuel Front 2 00                            |
| 32      | 532 14 05-27 | Cap Asm Fuel W/sym Vented                       |
| 33      | 532 12 34-87 | Clamp Hose Black                                |
| 35      | 817 49 05-12 | Screw   |
| 37      | 532 13 70-40 | Line Fuel 20"                                   |
| 38      | -----        | Plug Oil Drain (Order From Engine Manufacturer) |
| 40      | 532 12 40-28 | Bushing Snap Nyl Blk Fuel Line                  |
| 44      | 817 49 04-12 | Screw Hexwsh Thdrol 1/4-20x3/4                  |
| 46      | 819 09 14-16 | Washer 9/32 X 7/8 X 16 Ga                       |
| 62      | 810 04 05-00 | Washer Lock Hvy Hlcl Spr 5/16                   |
| 72      | 871 07 05-12 | Screw Hexhd Cap 5/16-18x 3/4                    |
| 78      | 817 49 06-20 | Screw Thdrol 3/8-16x1-1/4 TYTT                  |
| 81      | 532 12 88-61 | Nut Flange 1/4-20 Starter Nut                   |

**NOTE:** All component dimensions given in U.S. inches  
1 inch = 25.4 mm

# REPAIR PARTS

TRACTOR - MODEL NO. LT130 (954140004A), PRODUCT NO. 954 1400-04

## SEAT ASSEMBLY



### KEY PART NO. NO.

### DESCRIPTION

|    |              |                                |
|----|--------------|--------------------------------|
| 1  | 532 14 08-38 | Seat                           |
| 2  | 532 14 05-51 | Bracket Pivot Seat 8 720       |
| 3  | 874 76 06-16 | Bolt Fin Hex 3/8-16unc X 1     |
| 4  | 819 13 16-10 | Washer 13/32 X 1 X 10 Ga       |
| 5  | 532 14 50-06 | Clip Push-In                   |
| 6  | 873 80 06-00 | Nut Hex w/Ins. 3/8-16 Unc      |
| 7  | 532 12 41-81 | Spring Seat Cprsn 2 250 Blk Zi |
| 8  | 817 49 06-16 | Screw Thdrol 3/8-16 X 1 Ty-tt  |
| 9  | 819 13 16-14 | Washer 13/32 X 1 X 14 Ga.      |
| 10 | 532 15 59-25 | Pan Seat                       |
| 11 | 532 12 00-68 | Knob Seat 1/2-13 UNC Blk       |
| 12 | 532 12 12-46 | Bracket Mounting Switch        |

### KEY PART NO. NO.

### DESCRIPTION

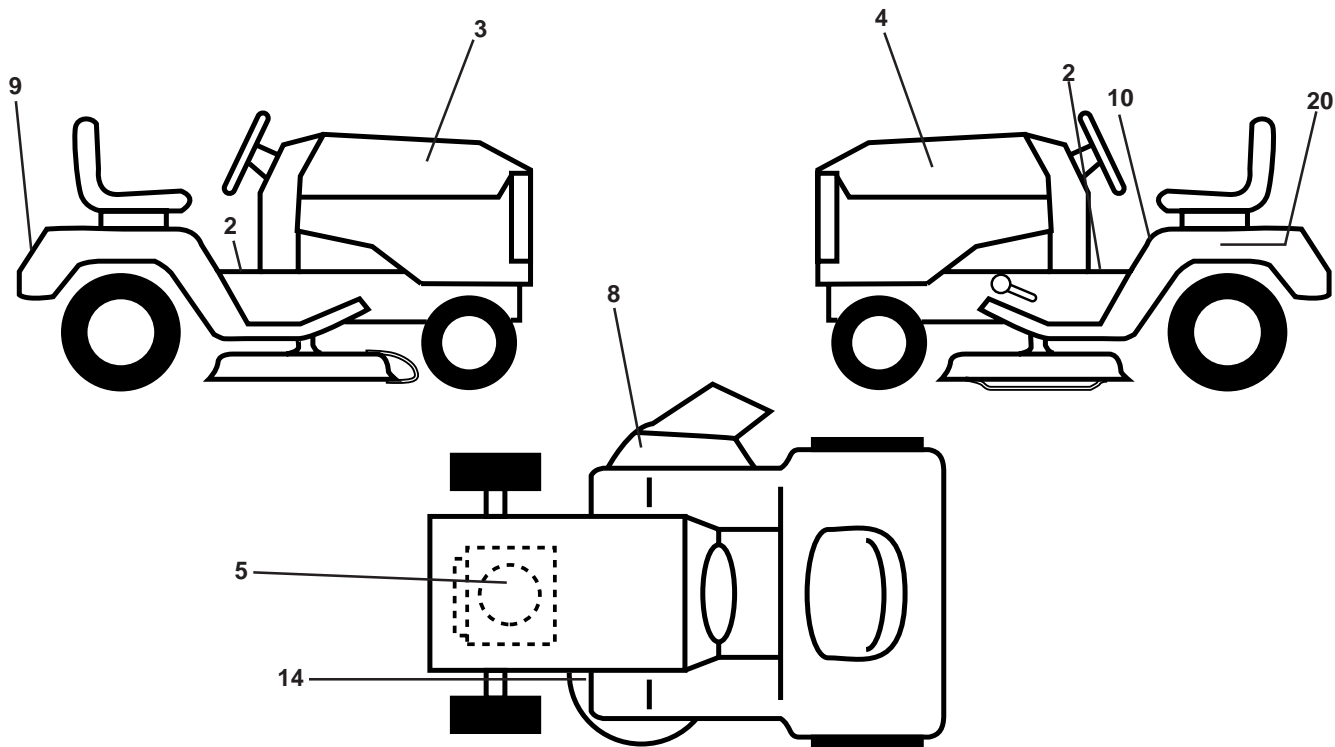
|    |              |                                |
|----|--------------|--------------------------------|
| 13 | 532 12 12-48 | Bushing Snap Blk Nyl 50 Id     |
| 14 | 872 05 04-11 | Bolt Rdhd Sqnk 1/4-20x1-3/8    |
| 15 | 532 13 43-00 | Spacer Split 28x 96 Yel Zinc   |
| 16 | 532 12 12-50 | Spring Cprsn 1 27 Blk Pnt      |
| 17 | 532 12 39-76 | Nut Lock 1/4 Lge Flg Gr 5 Zinc |
| 18 | 532 12 42-38 | Cap Spring Seat Blk            |
| 21 | 532 15 32-36 | Bolt Shoulder 5/16-18 Unc      |
| 22 | 873 80 05-00 | Nut Hex Lock W/Ins 5/16-18     |
| 24 | 819 17 19-12 | Washer 17/32 X 1-3/16 X 12 Ga. |
| 25 | 532 12 70-18 | Bolt Shoulder 5/16-18 X 62     |

**NOTE:** All component dimensions given in U.S. inches.  
1 inch = 25.4 mm

# REPAIR PARTS

TRACTOR - MODEL NO. LT130 (954140004A), PRODUCT NO. 954 1400-04

## DECALS



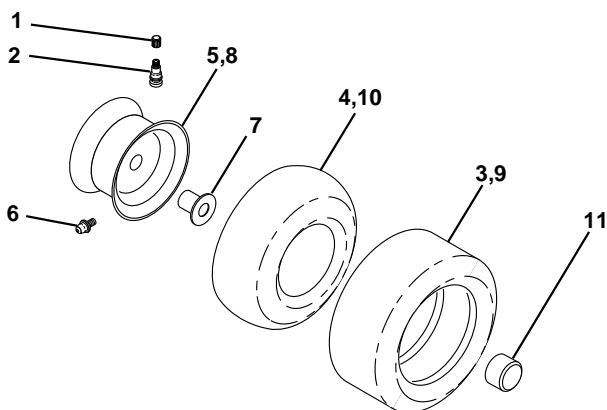
| KEY NO. | PART NO.     | DESCRIPTION                                  |
|---------|--------------|--|
| 2       | 532 15 63-69 | Decal Fender STLT Oper. Inst. English/French |
| 3       | 532 15 07-24 | Decal Hood LH                                |
| 4       | 532 15 07-23 | Decal Hood RH                                |
| 5       | 532 27 32-12 | Decal HP Engine                              |
| 8       | 532 13 72-59 | Decal Warning Multi-Language                 |
| 9       | 532 15 06-17 | Decal Fender Husq                            |
| 10      | 532 15 71-40 | Decal Fender Danger Eng/Fr.                  |
| 14      | 532 13 68-32 | Decal V-Belt Schematic                       |
| 20      | 532 14 64-51 | Decal Bat Dan/Psn                            |
| --      | 532 15 45-15 | Pad Footrest LH STLT                         |
| --      | 532 15 45-16 | Pad Footrest RH STLT                         |

| KEY NO. | PART NO.     | DESCRIPTION                    |
|---------|--------------|--------------------------------|
| --      | 532 13 83-11 | Decal Handle Lft Height Adjust |
| --      | 532 15 71-90 | Manual Owner's (English)       |
| --      | 532 15 71-92 | Manual Owner's (French)        |

Available accessories not included with tractor:

|    |       |                |
|----|-------|----------------|
| -- | LSB42 | 42" Snow Blade |
| -- | C42   | Grass Catcher  |
| -- | LC05  | Wheel Weights  |
| -- | CH12  | Tire Chains    |
| -- | LBD48 | 48" Snow Blade |
| -- | MP42  | Mulch Plate    |

## WHEELS & TIRES



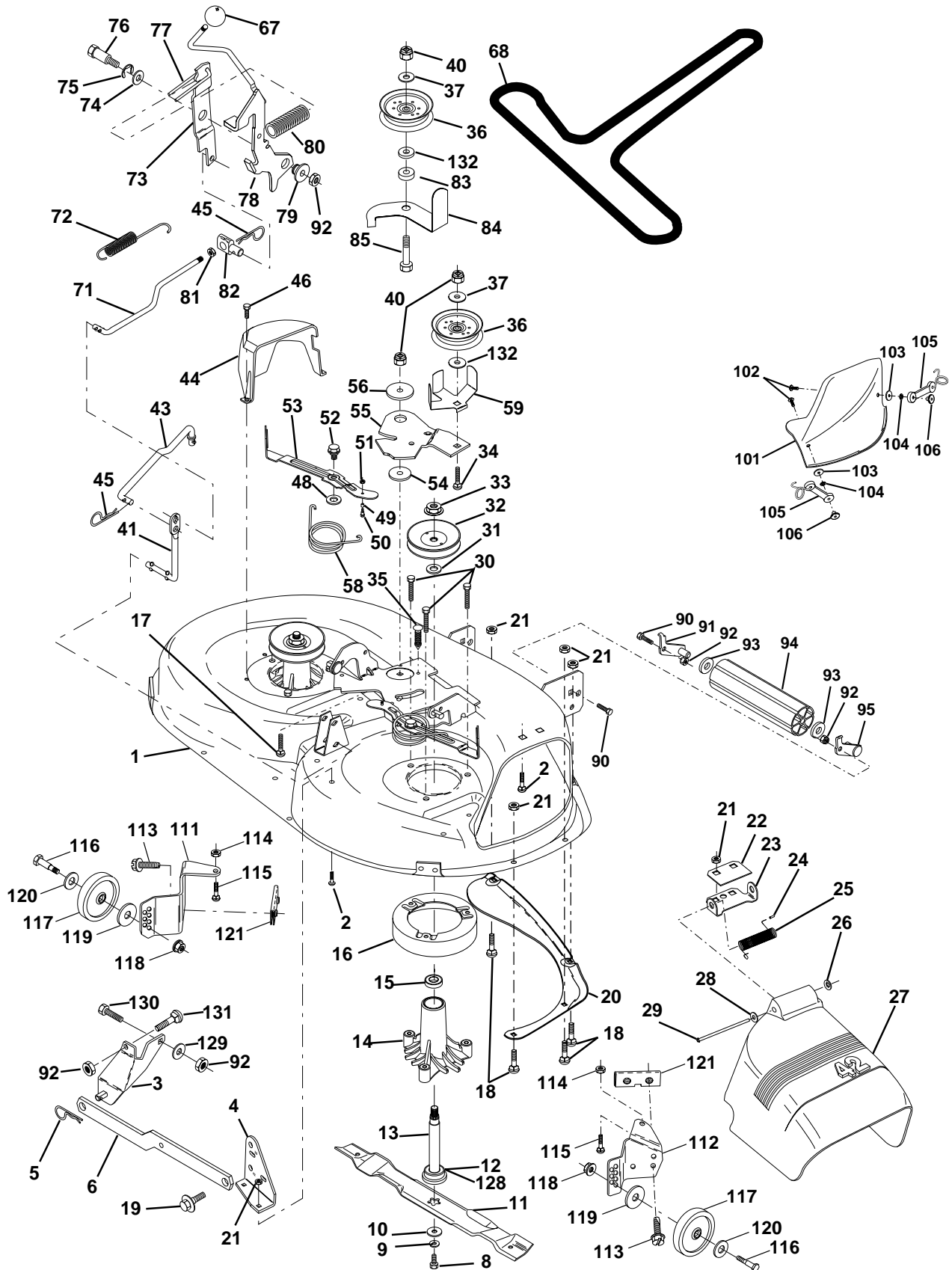
| KEY NO. | PART NO.     | DESCRIPTION                       |
|---------|--------------|-----------------------------------|
| 1       | 532 05 91-92 | Cap Valve Tire                    |
| 2       | 532 06 51-39 | Stem Valve                        |
| 3       | 532 10 62-22 | Tire F Ts 15 X 6 0 - 6 Service    |
| 4       | 532 05 99-04 | Tube Front (Service Item Only)    |
| 5       | 532 13 83-36 | Rim Asm 6"front Silver Service    |
| 6       | 532 12 49-57 | Fitting Grease (Front Wheel Only) |
| 7       | 532 12 49-59 | Bearing Flange (Front Wheel Only) |
| 8       | 532 13 83-37 | Rim Asm 8"rear Silver Service     |
| 9       | 532 12 46-35 | Tire R Ts 18x8 5-8 C Service      |
| 10      | 532 12 49-26 | Tube Rear (Service Item Only)     |
| 11      | 532 10 47-57 | Cap Axle Blk 1 50 X 1 00          |
| --      | 532 14 43-34 | Sealant, Tire ( 10 oz. Tube)      |

**NOTE:** All component dimensions given in U.S. inches  
1 inch = 25.4 mm

# REPAIR PARTS

TRACTOR - MODEL NO. LT130 (954140004A), PRODUCT NO. 954 1400-04

## MOWER DECK



# REPAIR PARTS

TRACTOR - MODEL NO. LT130 (954140004A), PRODUCT NO. 954 1400-04

## MOWER DECK

| KEY NO. | PART NO.     | DESCRIPTION                    | KEY NO. | PART NO.     | DESCRIPTION  |
|---------|--------------|--------------------------------|---------|--------------|--|
| 1       | 532 14 43-93 | Deck Asm MWR 42"weldment       | 67      | 532 10 69-33 | Knob Rd 1/2-13 Plstc Thds Blk  |
| 2       | 872 14 05-06 | Bolt Rdhd Sqnk 5/16-18unc X3/4 | 68      | 532 14 42-00 | V-Belt Mower 42"   |
| 3       | 532 13 80-17 | Bracket Asm Fr Sway Bar 38/42  | 71      | 532 14 24-27 | Rod Clutch Primary 38/42   |
| 4       | 532 13 84-40 | Bracket Asm Deck 42"sway Bar   | 72      | 532 13 18-70 | Spring Return  |
| 5       | 532 12 46-70 | Retainer Spring                | 73      | 532 12 78-47 | Arm Clutch Secondary   |
| 6       | 532 13 08-32 | Arm Suspension Rear            | 74      | 532 12 17-48 | Washer 25/32 X 1-5/8 X 16 Ga   |
| 8       | 532 85 08-57 | Bolt 3/8 - 24 X 1.25 Gr 8      | 75      | 812 00 00-29 | Ring Klip #t5304-75  |
| 9       | 810 03 06-00 | Washer Lock Hvy 3/8            | 76      | 532 12 89-03 | Bolt Shoulder 3/8-16 Unc 1 44  |
| 10      | 532 14 02-96 | Washer Hard Blade Mower Vented | 77      | 532 12 78-45 | Keeper Spring 4 000  |
| 11      | 532 13 41-49 | Blade Mower Mulching 42"       | 78      | 532 15 48-09 | Arm Asm Clutch Primary   |
| 12      | 532 12 98-95 | Bearing Ball #6024 (Mandrel)   | 79      | 532 12 74-98 | Bushing 747 Od X 794 Lg Brass  |
| 13      | 532 13 76-45 | Shaft Asm W/lower Bearing      | 80      | 532 15 37-01 | Spring Clutch Mower  |
| 14      | 532 12 87-74 | Housing Mandrel Vented         | 81      | 873 35 06-00 | Nut Hex Jam 3/8-16   |
| 15      | 532 11 04-85 | Bearing Ball Mandrel           | 82      | 532 14 20-28 | Trunnion Adj 94  |
| 16      | 532 14 03-29 | Stripper Mower Vented          | 83      | 532 12 09-58 | Washer Sintered  |
| 17      | 872 11 06-10 | Bolt Rdhd Sqnk 3/8-16 X 1-1/4  | 84      | 532 14 43-94 | Keeper Belt Idler Fixed  |
| 18      | 872 14 05-05 | Bolt Rdhd Sqnk 5/16-18 X 5/8   | 85      | 872 14 06-18 | Bolt Carriage 3/8-16 x 2-1/4 Gr.5  |
| 19      | 532 13 28-27 | Bolt Shoulder                  | 90      | 874 76 06-16 | Bolt Fin Hex 3/8-16 UNC x 1  |
| 20      | 532 13 68-88 | Baffle Vortex 42               | 91      | 532 13 22-74 | Bracket Asm Noseroller LH  |
| 21      | 873 68 05-00 | Nut Crownlock 5/16-18 UNC      | 92      | 873 80 06-00 | Nut Lock Hex W/Ins 3/8-16 Unc  |
| 22      | 532 13 47-53 | Stiffener Bracket 42"deck      | 93      | 819 17 14-16 | Washer 17/32 x 7/8 x 16 Ga.  |
| 23      | 532 13 12-67 | Bracket Deflector Mower 42"    | 94      | 532 13 22-64 | Roller Nose 38 & 42  |
| 24      | 532 10 53-04 | Cap Sleeve 80x 112 Blk Mower   | 95      | 532 13 22-73 | Bracket Asm Noseroller RH  |
| 25      | 532 12 37-13 | Spring Torsion Deflector 2 52  | 101     | 532 13 64-20 | Cover Mulching 42" Black   |
| 26      | 532 11 04-52 | Nut Push Phos & Oil            | 102     | 871 16 10-10 | Screw  |
| 27      | 532 13 09-68 | Shield Deflector Mower 42" Blk | 103     | 819 06 12-16 | Washer #10   |
| 28      | 819 11 10-16 | Washer 11/32 X 5/8 X 16 Ga     | 104     | 810 07 10-00 | Washer Lock #10  |
| 29      | 532 13 14-91 | Rod Hinge 42"6 75 Wlg          | 105     | 532 13 07-58 | Latch Asm Bagger   |
| 30      | 532 13 87-76 | Screw Thdrol Hex Head Zinc Mwr | 106     | 532 12 50-04 | Nut Weld   |
| 31      | 532 12 99-63 | Washer Spacer Mower Vented     | 111     | 532 15 51-97 | Bracket Wheel Gauge LH 42" Deck  |
| 32      | 532 15 35-35 | Pulley Mandrel 42"             | 112     | 532 15 51-98 | Bracket Gauge Wheel RH 42" Deck  |
| 33      | 532 13 72-66 | Nut 9/16 Toplock Fling Oil Dip | 113     | 817 49 05-12 | Screw Thdrol 5/16-18 X 3/4   |
| 34      | 872 11 06-14 | Bolt Rdhd 3/8-16uncx1-3/4 Gr5  | 114     | 873 51 05-00 | Nut Keps 5/16-18 UNC   |
| 35      | 532 13 38-35 | Fastner Christmas Tree         | 115     | 872 11 05-04 | Bolt Carriage 5/16-UNC x 1/2   |
| 36      | 532 13 14-94 | Pulley Idler Flat 3 060        | 116     | 532 12 48-42 | Bolt Shoulder "A" 2.41 "B" 1.66  |
| 37      | 819 13 13-16 | Washer 13/32 X 13/16 X 16      | 117     | 532 10 54-55 | Wheel Guage Blk 4.93   |
| 40      | 873 68 06-00 | Nut Crownlock 3/8-16 UNC       | 118     | 873 93 06-00 | Nut Centerlock 3/8-16 UNC  |
| 41      | 532 13 35-51 | Rod Pivot W/nibs               | 119     | 819 12 14-14 | Washer 3/8 x 7/8 x 14 Ga.  |
| 43      | 532 14 00-83 | Rod Clutch Secondary W/nibs    | 120     | 819 17 15-12 | Washer 17/32 x 15/16 x 12 Ga.  |
| 44      | 532 14 00-88 | Guard Mandrel LH Black         | 121     | 532 14 37-23 | Bracket Extruded Guage Wheel   |
| 45      | 532 12 47-88 | Spring Retainer 1" Zinc/cad    | 128     | 532 15 33-90 | Washer Felt  |
| 46      | 532 13 77-29 | Screw Hex Thd Cut 1/4-20x5/8 T | 129     | 819 13 13-12 | Washer 13/32 x 13/16 x 12 Ga.  |
| 48      | 532 13 39-44 | Washer Hardened Smaller        | 130     | 874 78 06-16 | Bolt Fin Hex 3/8-16 UNC x 1 Gr. 5  |
| 49      | 532 15 50-66 | Roller Asm Cam Follower 42"dec | 131     | 872 14 06-08 | Bolt Rdhd Sqnk 3/8-16 x 1  |
| 50      | 532 13 13-40 | Bolt Shldr 10-24 Zinc Gr 5 42" | --      | 532 13 07-94 | Mandrel Asm Service (Includes Key Nos. 8-10, 12-15, 31 and 33)   |
| 51      | 532 06 91-80 | Nut Lock #10-24 Unc            | --      | 532 14 54-11 | Deck Serv 42"mch S Bar Mult-Lang (Standard Deck - Order noseroller, mulch cover and gauge wheel components separately Key Nos. 90-95, 101-106 and 111-120) |
| 52      | 532 13 98-88 | Bolt Shoulder 5/16-18 Unc Blkz |         |              |  |
| 53      | 532 15 73-88 | Arm Asm Pad Brake              |         |              |  |
| 54      | 532 13 39-43 | Washer Hardened                |         |              |  |
| 55      | 532 15 50-46 | Arm Idler 42"mower LT/YT       |         |              |  |
| 56      | 532 12 20-52 | Spacer Retainer Pm Mower       |         |              |  |
| 58      | 532 14 00-86 | Spring Torsion Brakes          |         |              |  |
| 59      | 532 14 10-43 | Guard TUV Idler                |         |              |  |

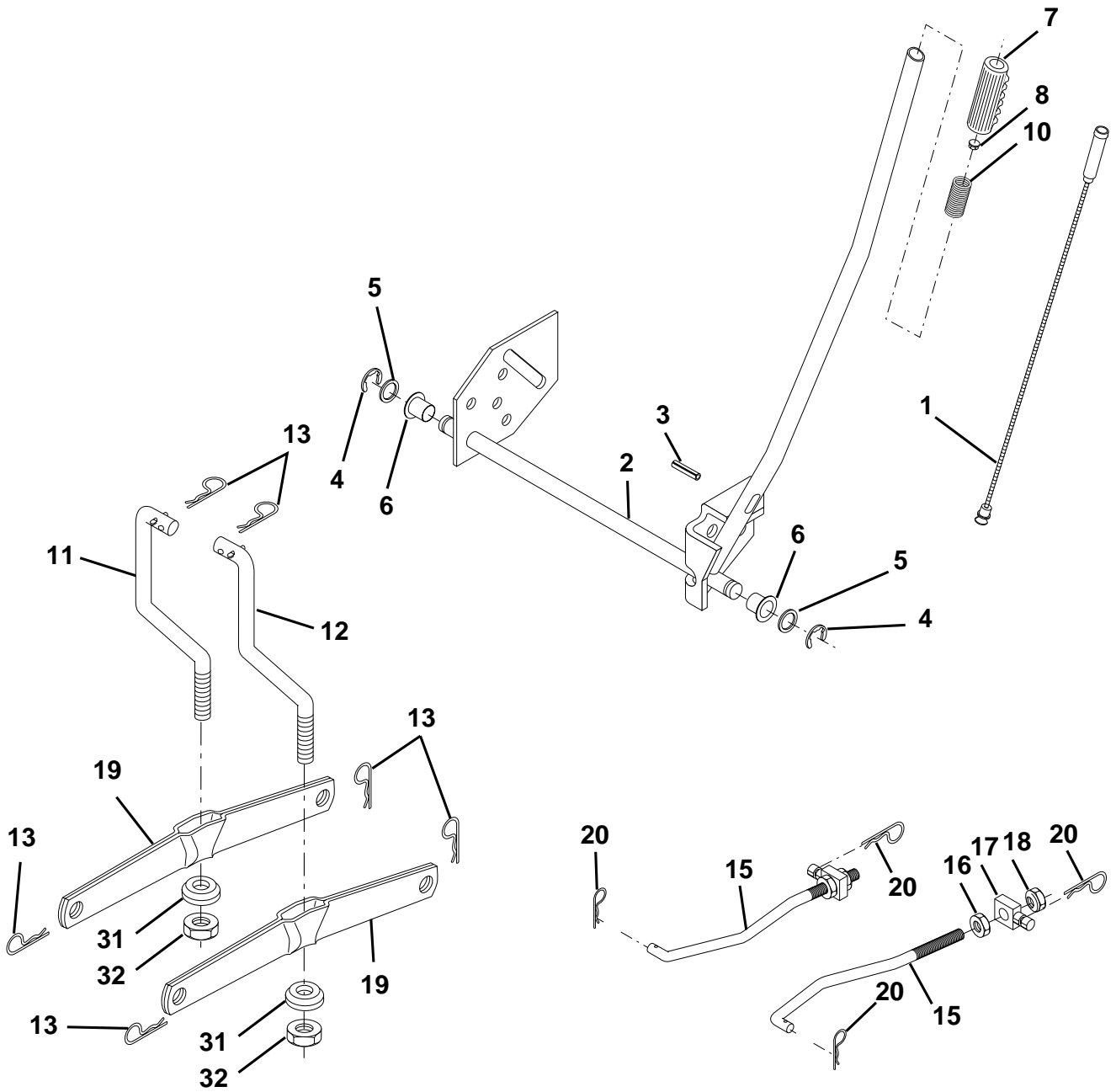
**NOTE:** All component dimensions given in U.S. inches  
1 inch = 25.4 mm



# REPAIR PARTS

TRACTOR - MODEL NO. LT130 (954140004A), PRODUCT NO. 954 1400-04

## MOWER LIFT



# REPAIR PARTS

TRACTOR - MODEL NO. LT130 (954140004A), PRODUCT NO. 954 1400-04

## MOWER LIFT

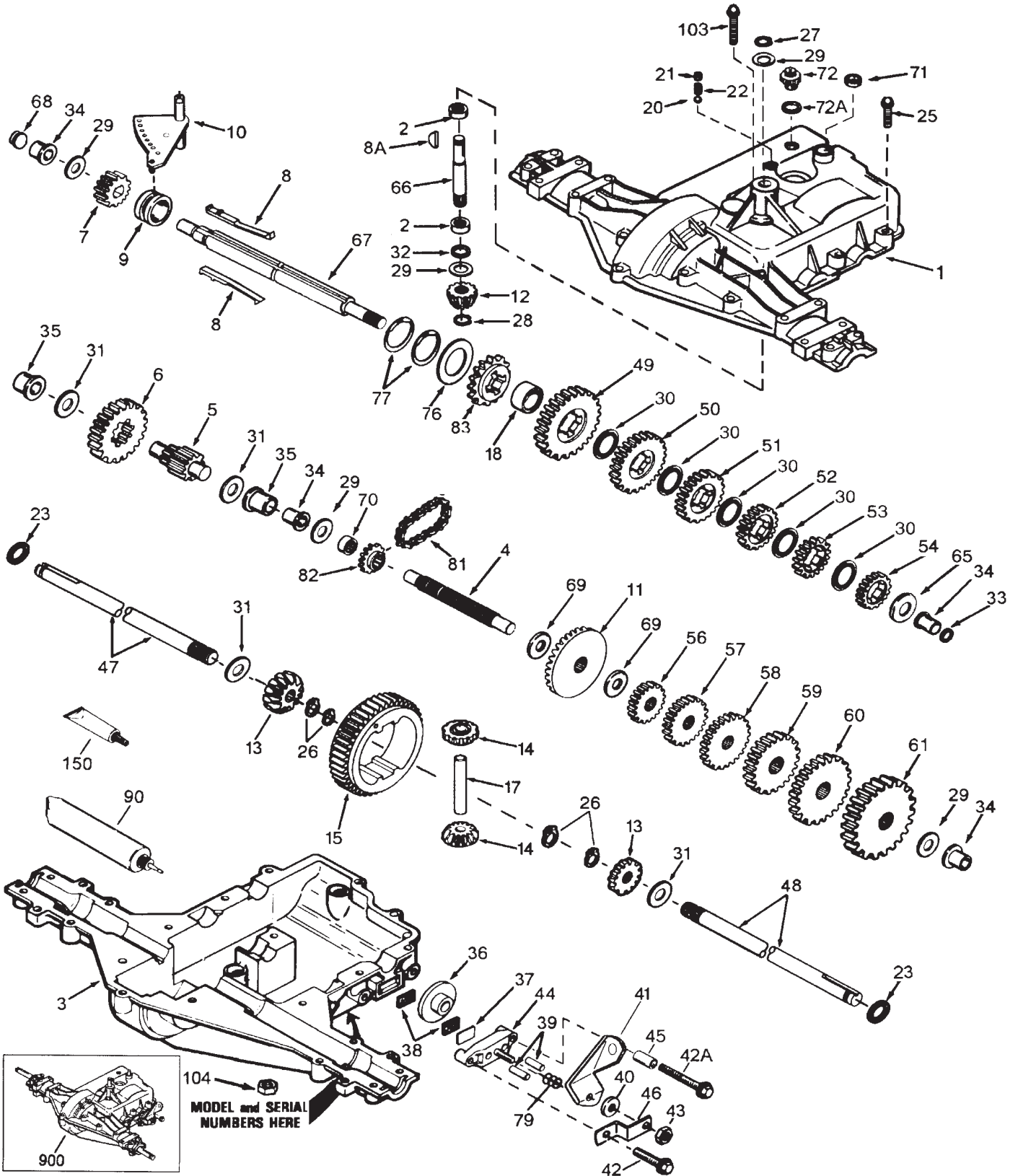
| KEY<br>NO. | PART<br>NO.  | DESCRIPTION                    |
|------------|--------------|--------------------------------|
| 1          | 532 13 69-73 | Wire Asm Inner W/plunger 17 32 |
| 2          | 532 14 51-17 | Shaft Asm Lift                 |
| 3          | 532 10 57-67 | Pin Groove                     |
| 4          | 812 00 00-02 | E Ring #5133-62                |
| 5          | 819 21 16-21 | Washer PLTD 21/32 X 1 X 21ga   |
| 6          | 532 12 01-83 | Bearing Nylon Blk 629 Id       |
| 7          | 532 10 94-13 | Grip Handle Bicycle            |
| 8          | 532 12 45-26 | Button Plunger Black           |
| 10         | 532 12 25-12 | Spring Cprsn 3 750 Oiled       |
| 11         | 532 13 98-65 | Link Lift LH                   |
| 12         | 532 13 98-66 | Link Lift RH                   |
| 13         | 532 12 46-70 | Retainer Spring                |
| 15         | 532 12 72-18 | Link Front                     |
| 16         | 873 35 08-00 | Nut Jam Hex 1/2-13 Unc         |
| 17         | 532 13 01-71 | Trunnion Blk Zinc              |
| 18         | 873 80 08-00 | Nut Lock W/wsh 1/2-13unc       |
| 19         | 532 13 98-68 | Arm Suspension Rear            |
| 20         | 532 12 46-60 | Spring, Retainer               |
| 31         | 532 14 03-02 | Bearing Pvt. Lift Spherical    |
| 32         | 873 54 06-00 | Nut Crownlock 3/8-24           |

**NOTE:** All component dimensions given in U.S. inches  
1 inch = 25.4 mm

# REPAIR PARTS

RACTOR - MODEL NO. LT130 (954140004A), PRODUCT NO. 954 1400-04

PEERLESS TRANSAXLE - MODEL NUMBER 930-055A



# REPAIR PARTS

TRACTOR - MODEL NO. LT130 (954140004A), PRODUCT NO. 954 1400-04

## PEERLESS TRANSAXLE - MODEL NUMBER 930-055A

| REF PART NO. NO. | DESCRIPTION | REF PART NO. NO. | DESCRIPTION |  |  |
|------------------|-------------|------------------|-------------|--|--|
| 1                | 772108A     | 43               | 792075      | Cover, Transaxle                                       | Locknut 5/16-24                                |
| 2                | 780086      | 44               | 790025      | Bearing, Needle  | Holder, Brake Pad                              |
| 3                | 770102A     | 45               | 786066      | Case, Transaxle  | Spacer   |
| 4                | 776260      | 46               | 786086      | Shaft, Counter   | Bracket, Brake Lever                           |
| 5                | 776219B     | 47               | 774690      | Shaft and Pinion Assembly, Output                      | Axle 11-5/16" long                             |
| 6                | 778139      | 48               | 774691      | Gear, Output   | Axle 16-1/2" long                              |
| 7                | 778136      | 49               | 778215      | Gear, Spur, 15 Teeth                                   | Gear, Spur, 37 Teeth, Steel (1 <sup>st</sup> ) |
| 8                | 792136A     | 50               | 778125      | Key, Shift   | Gear, Spur, 35 Teeth (2 <sup>nd</sup> )        |
| 8A               | 792047      | 51               | 778124A     | Key, Woodruff  | Gear, Spur, 30 Teeth (3 <sup>rd</sup> )        |
| 9                | 784352      | 52               | 778123A     | Collar, Shifter  | Gear, Spur, 25 Teeth (4 <sup>th</sup> )        |
| 10               | 784355      | 53               | 778122A     | Rod and Fork Assembly, Shift                           | Gear, Spur, 22 Teeth (5 <sup>th</sup> )        |
| 11               | 778229      | 54               | 778273      | Gear, Bevel, 42 Teeth                                  | Gear, Spur, 19 Teeth, Steel (6 <sup>th</sup> ) |
| 12               | 778113A     | 56               | 778230      | Bevel Pinion, Input                                    | Gear, Spur, 12 Teeth (1 <sup>st</sup> )        |
| 13               | 778221      | 57               | 778151      | Gear, Bevel  | Gear, Spur, 15 Teeth (2 <sup>nd</sup> )        |
| 14               | 778068      | 58               | 778126A     | Gear, Bevel Pinion                                     | Gear, Spur, 20 Teeth (3 <sup>rd</sup> )        |
| 15               | 778260      | 59               | 778127A     | Gear, Ring   | Gear, Spur, 25 Teeth (4 <sup>th</sup> )        |
| 17               | 786139      | 60               | 778128A     | Pin, Drive   | Gear, Spur, 28 Teeth (5 <sup>th</sup> )        |
| 18               | 786102      | 61               | 778163      | Spacer, Neutral  | Gear, Spur, 31 Teeth (6 <sup>th</sup> )        |
| 20               | 792077      | 65               | 780109      | Ball, Steel 5/16" diameter                             | Washer, Thrust                                 |
| 21               | 792078      | 66               | 776135      | Set Screw 3/8-16 x 3/8                                 | Shaft, Input                                   |
| 22               | 792079      | 67               | 776315A     | Spring   | Shaft, Brake, 4 Keyed                          |
| 23               | 788061      | 68               | 786116A     | Ring, Seal   | Plug   |
| 25               | 792073      | 69               | 780051      | Screw, Flanged Hex Head, Thread Forming 1/4-20 x 1-1/4 | Washer, Thrust                                 |
| 26               | 792125      | 70               | 786118      | Ring, Retainer   | Spacer   |
| 27               | 792035      | 71               | 788069      | Ring, Retainer   | Seal, Square Cut                               |
| 28               | 788040      | 72               | 792165      | Ring, Retainer   | Plug, Threaded 9/16-18                         |
| 29               | 780072      | 72A              | 788091      | Washer, Thrust   | "O" Ring                                       |
| 30               | 780108      | 76               | 780090      | Washer, Thrust   | Washer, Thrust                                 |
| 31               | 780001      | 77               | 788078A     | Washer, Thrust   | Ring, Retaining, Inverted (Package of 2)       |
| 32               | 792001      | 79               | 792144      | "O" Ring   | Spring, Brake                                  |
| 33               | 788095      | 81               | 786081      | Seal, Square Cut                                       | Chain, Roller                                  |
| 34               | 780105A     | 82               | 786082      | Bushing, Flanged                                       | (Number 41 Chain, 24 Links)                    |
| 35               | 780118A     | 83               | 786123      | Bushing, Flanged                                       | Sprocket, 9 Teeth (Reverse)                    |
| 36               | 790003      | 90               | 788067B     | Disk, Brake  | Sprocket, 18 Teeth (Reverse)                   |
| 37               | 790007      | 103              | 792166      | Plate, Brake Pad                                       | Grease, Bentonite, 32 Ounce Bottle             |
| 38               | 799021      | 104              | 792167      | Pad, Brake   | Screw 1/4-20 x 2                               |
| 39               | 786026      | 150              | 510334      | Pin, Dowel   | Locknut 1/4-20                                 |
| 40               | 792076A     | 900              | 794603      | Washer, Flat   | Gasket Eliminator (Loctite #515)               |
| 41               | 790079      |                  |             | Lever, Brake   | Replacement Transaxle                          |
| 42               | 792073      |                  |             | Screw, Flanged Hex Head, Thread Forming 1/4-20 x 1-1/4 |  |
| 42A              | 792085A     |                  |             | Screw 1/4-20 x 2-1/4                                   |  |

**NOTE:** All component dimensions given in U.S. inches  
1 inch = 25.4 mm

Parts must be ordered from Tecumseh Products Co.