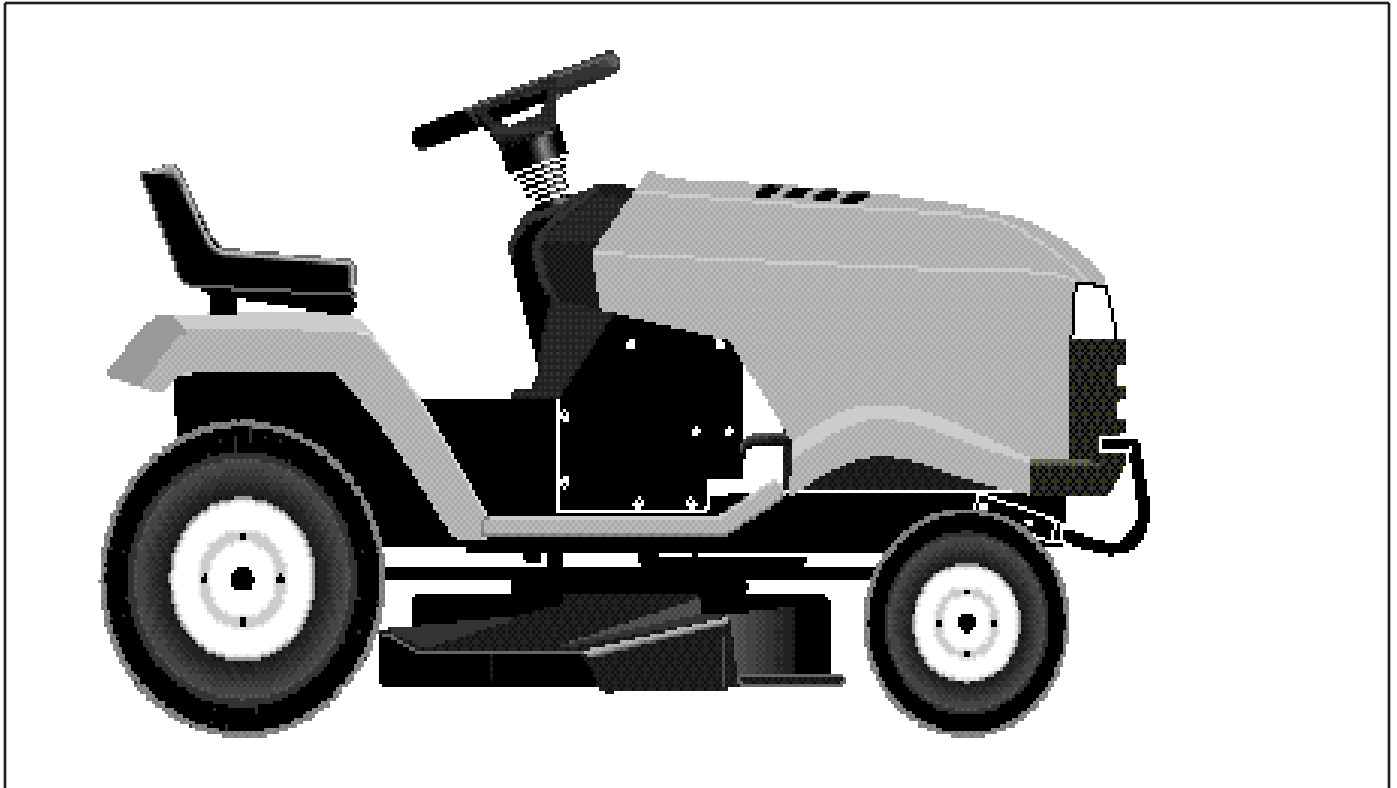


YTH 180



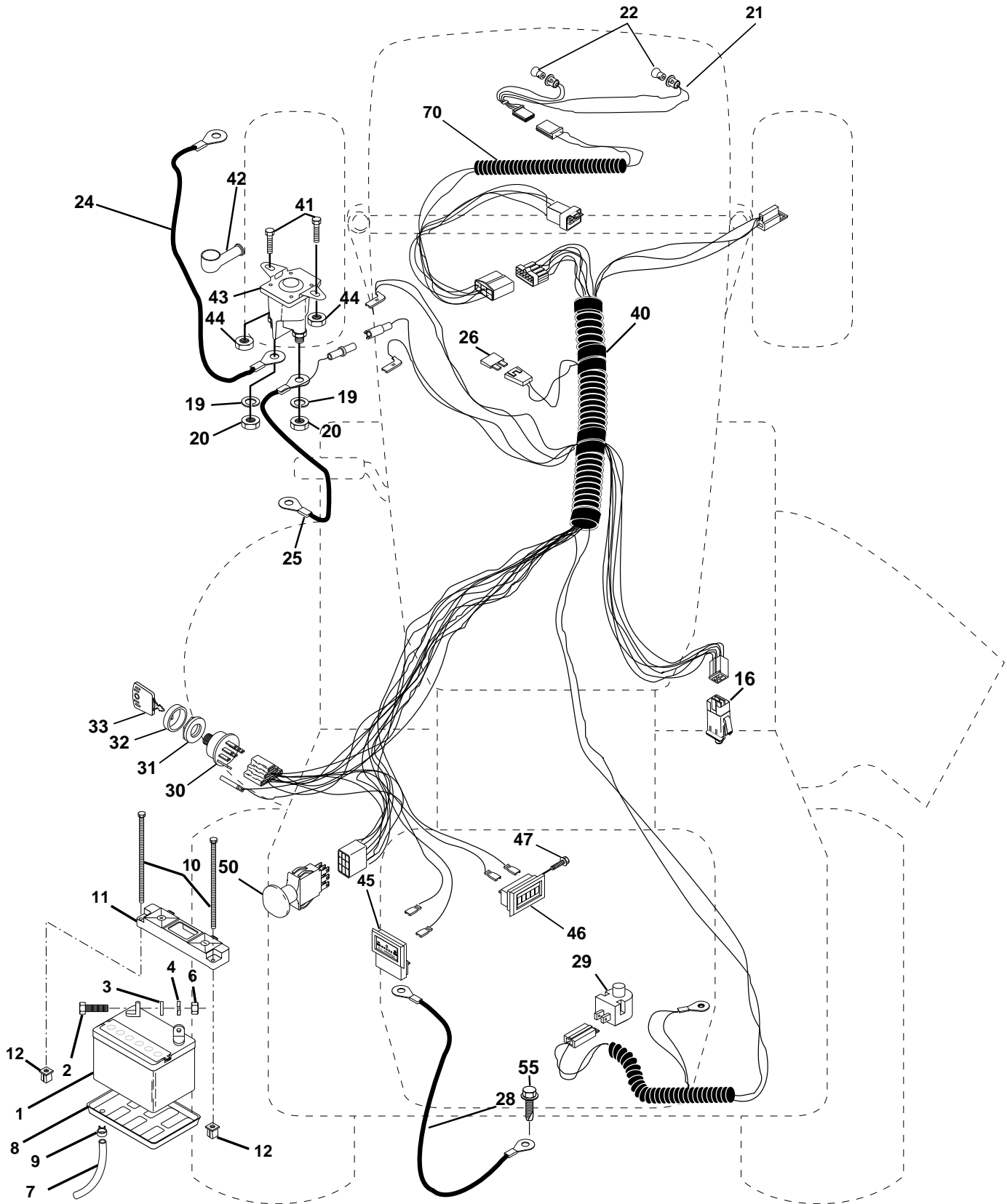
03.1996
PARTS LISTING

954830145B

REPAIR PARTS

TRACTOR - MODEL NO. YTH180 (954830145B)

ELECTRICAL



REPAIR PARTS

TRACTOR - MODEL NO. YTH180 (954830145B)

ELECTRICAL

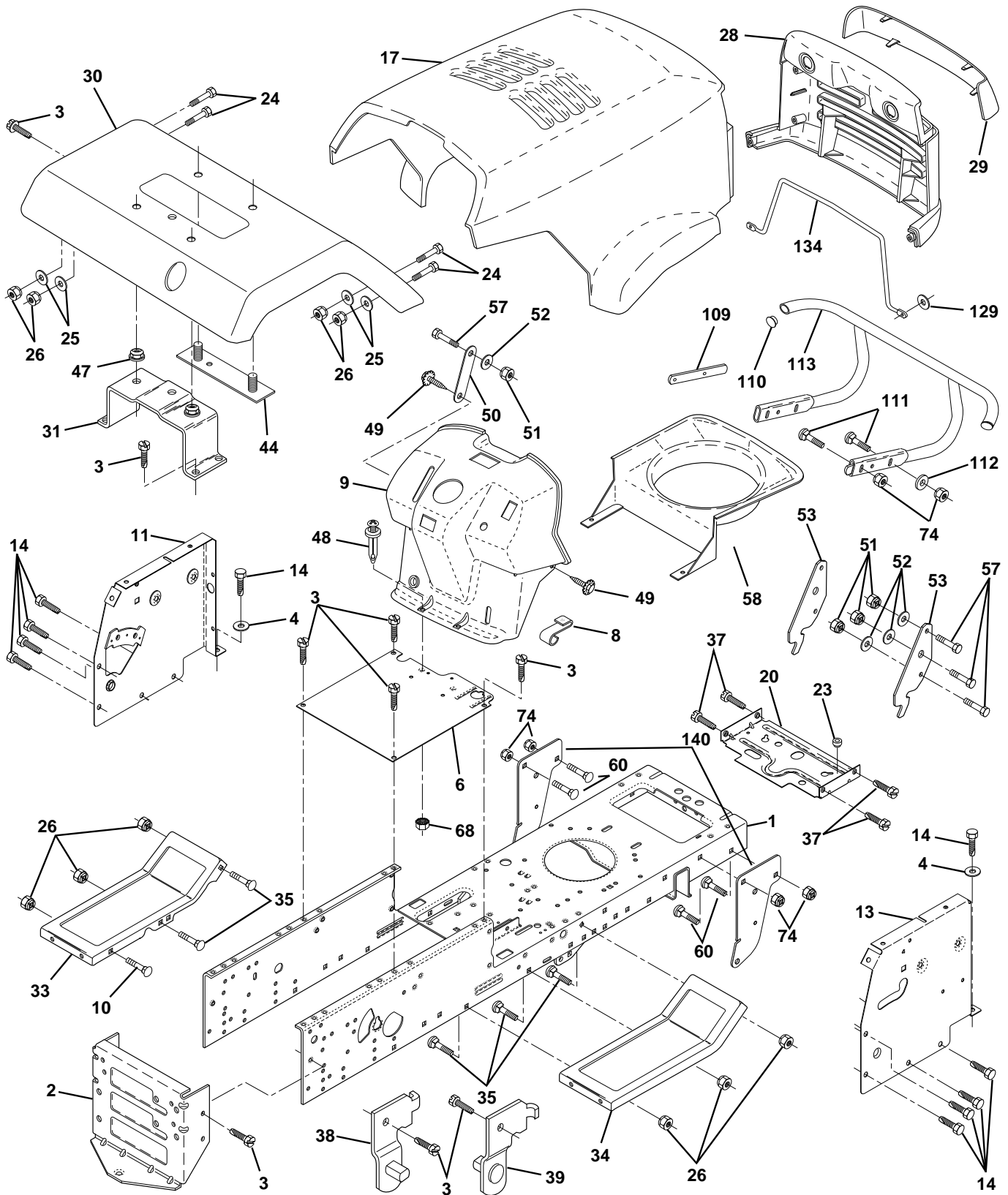
KEY NO.	PART NO.	DESCRIPTION
1	532146141	Battery 12 Volt 35 AMP Wet
2	874760412	Bolt Hex Hd 1/4-20unc X 3/4
3	819091016	Washer 9/32 X 5/8 X 16 Ga.
4	810040400	Washer Lock Hvy Helical 1/4
6	873220400	Nut Fin Hex 1/4-20 Unc
7	532007697	Tube Plastic 46" Front
8	532124886	Tray, Battery 7.80 x 5.25 Blk
9	532109596	Clamp Hose Olive
10	532145211	Bolt BTR FRT 1/4-20 x 7.5 zinc
11	532145209	Holddown Battery, Dash mount
12	532145769	Nut, Push Nylon 1/4 battery FRT
16	532153664	Switch Interlock Push-In
19	810090400	Washer Lock 1/4
20	873350400	Nut Jam Hex 1/4-20 Unc
21	532136850	Harness Asm Light W/4152j
22	532004152	Bulb Light #1156
24	532124780	Cable Battery 6 Ga 11" red
25	532146148	Cable Battery 6 Ga 22" w/16W
26	532108824	Fuse 30 AMP Auto Green
28	532145491	Cable Ground 6 Ga 21" black
29	532121305	Switch Plunger Nc Gray
30	532140301	Switch Ign 4 pos w/lights
31	532124211	Nut Ignition
32	532141226	Cover Sw Ignition
33	532122147	Key Ign Modledeed Generic
40	532151215	Harness Ign. Elec. HM P/L
41	871110408	Bolt Blk Fin Hex 1/4 - 20 x 1/2
42	532131563	Cover Terminal Red
43	532145673	Solenoid
44	873640400	Nut Keps Hex 1/4-20 Unc
45	532122822	Ammeter, retangular 15 amp
46	532110940	Meter, Hour
47	817011008	Screw 10-24 x 1/2 Black
50	532140404	Switch PTO 3 PTD Black
55	817490508	Screw THDROL 5/16-18 x 1/2 TYT
70	532151602	Harness, Eng.

NOTE: All component dimensions given in U.S. inches.
1 inch = 25.4 mm.

REPAIR PARTS

TRACTOR - MODEL NO. YTH180 (954830145B)

CHASSIS AND ENCLOSURES



REPAIR PARTS

TRACTOR - MODEL NO. YTH180 (954830145B)

CHASSIS AND ENCLOSURES

KEY NO.	PART NO.	DESCRIPTION
1	532151169	Chassis Weldment 11ga
2	532140356	Drawbar, Stretch
3	817490612	Screw Thdrol 3/8-16x3/4 Ty-tt
4	819131216	Washer 13/32 x 3/4 x 16 Ga.
6	532145206	Saddle LT Fender Shift
8	532126471	Clip Insulator .406 Mtg Hole
9	532151015	Dash P/L w/amm w/HM w/PTO Grey
10	872140608	Bolt Carriage 3/8-16 x 1
11	532146956	Panel Pnt Dash Lh
13	532146962	Panel Dash Rh Asm
14	817490608	Screw Thdrol 3/8-16x1/2 Ty-tt
17	532149775	Hood LT/PL Husqvarna
20	532145210	Plate Mtg. Battery Fuel Tank. 95
23	532124028	Bushing
24	874780616	Bolt Fin Hex 3/8-16unc X 1 Gr. 5
25	819131312	Washer 13/32 X 13/16 X 12 Ga
26	873800600	Nut Lock Hex W/Ins 3/8-16 Unc
28	532149776	Grille LT/PL Husqvrna
29	532149777	Lens LT/PL Husqvrna
30	532141449	Fender YT/GT w/Shift w/Fuel 94
31	532137113	Bracket Asm Fender
33	532147203	Footrest Pnt Lh LT/YT/GT 95
34	532147202	Footrest Pnt Rh LT/YT/GT 95
35	872110606	Bolt Rdhd Sht Sqnk 3/8-16 X3/4
37	817490508	Screw Thdrol 5/16-18 X1/2
38	532139886	Bracket, Asm. Pivot, L.H., Mower Rear
39	532139887	Bracket, Asm. Pivot, R.H., Mower Rear
44	532140675	Strap asm Fender
47	532105531	Nut, Push Nylon
48	532138096	Rivet Push Plate D Plastick Blk
49	817490412	Screw Hexwsh. Thdrol 1/4-20 x 3/4
50	532142779	Brace
51	873800400	Nut Lock Hex W/Ins 1/4-20
52	819091416	Washer 9/32 x 7/8 x 16 Ga.
53	532150067	Bracket Pnt. Pick off LT/PL Husq.
57	874780412	Bolt Hex 1/4-20 x 3/4
58	532151171	Air Duct CV18
60	872140606	Bolt Rdhd Sqnk 3/8-16unc x 3/4
68	873510400	Nut Keps Hex 1/4-20
74	873680600	Nut Crownlock 3/8-16 UNC
109	532141461	Bracket Extension Bumper
110	532143679	Plug Plastic
111	872140610	Bolt Carriage 3/8-16 x 1-1/4
112	819131316	Washer 13/32 x 13/16 x 16 Ga.
113	532150300	Bumper Asm.
129	819091016	Washer 9/32 x 5/8 x 16 Ga.
134	532150132	Rod Support Hood LT/PL Husq.
140	532150556	Bracket Chassis Front 7 Ga.
--	532005479	Plug Button

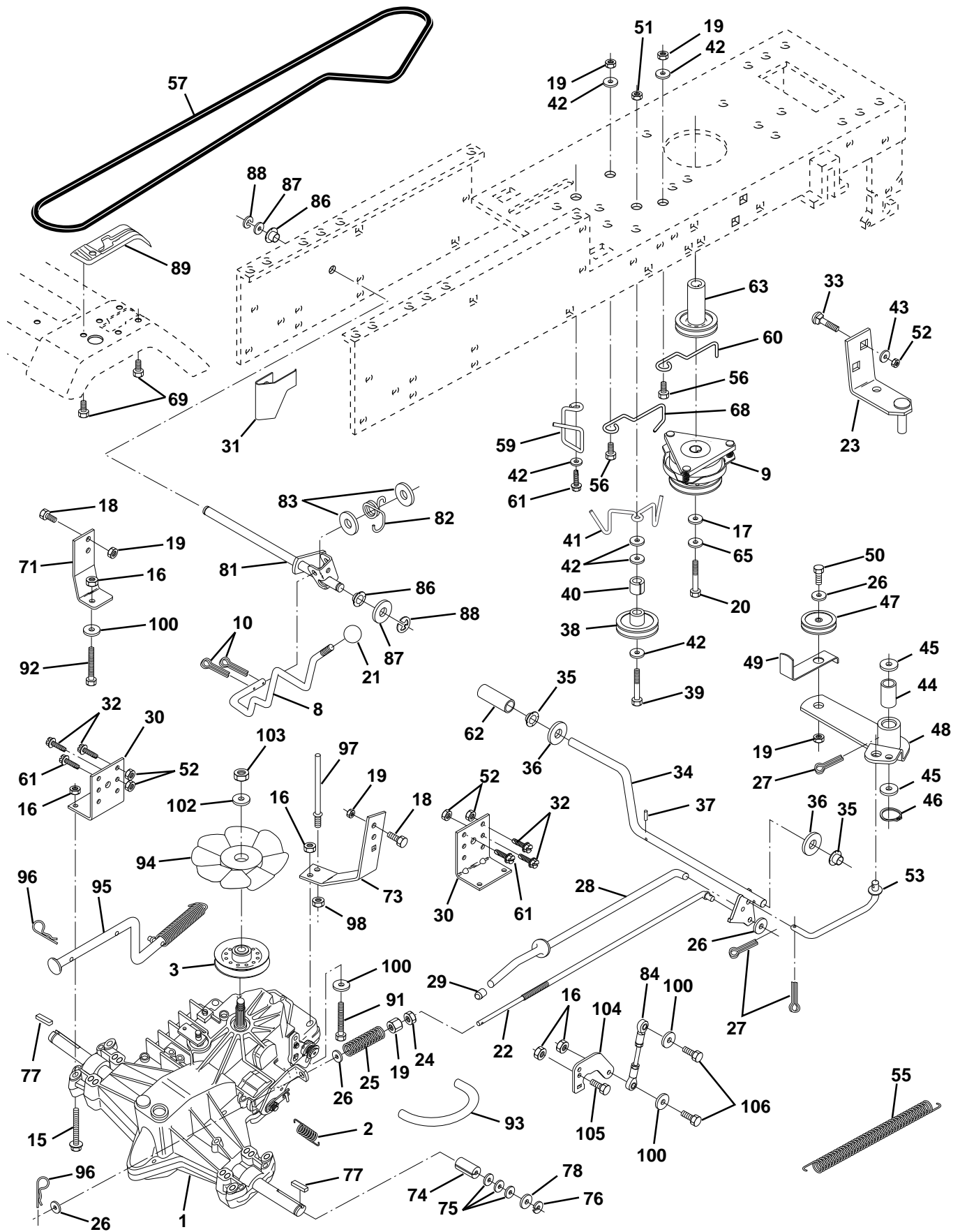
NOTE: All component dimensions given in U.S. inches.

1 inch = 25.4 mm

REPAIR PARTS

TRACTOR - MODEL NO. YTH180 (954830145B)

DRIVE



REPAIR PARTS

TRACTOR - MODEL NO. YTH180 (954830145B)

DRIVE

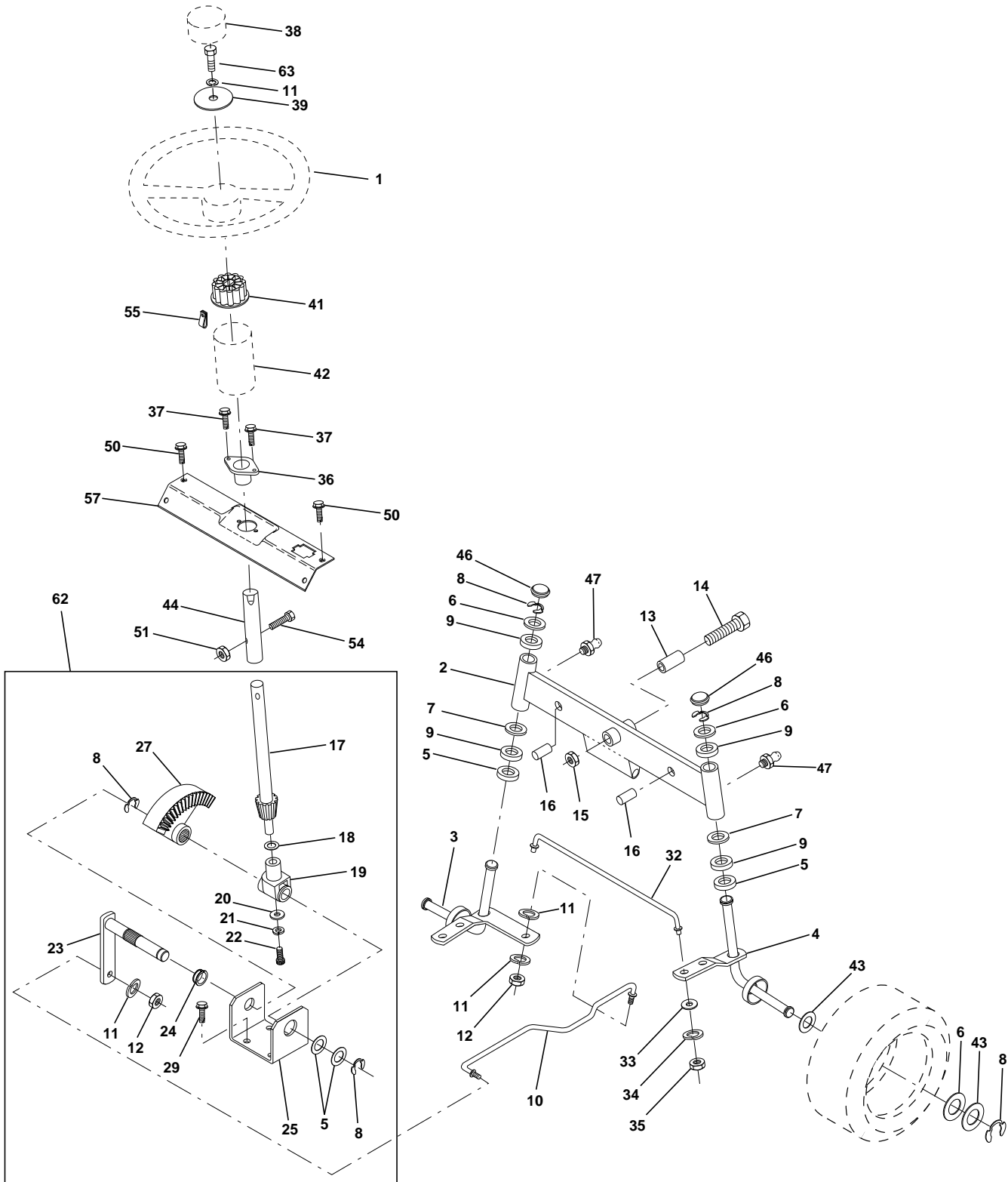
KEY NO.	PART NO.	DESCRIPTION	KEY NO.	PART NO.	DESCRIPTION
1	532150071	Transaxle w/cas Hydro 310-0650	53	532105710	Link, Clutch
2	532142431	Spring, Return, Brake	55	532105709	Spring, Return, Clutch
3	532143995	Pulley, Transaxle Hydro 750 LT	56	874760620	Bolt, Fin Hex 3/8-16 UNC x 1 1/4
8	532141002	Rod Shift Hydro LT	57	532140294	V-Belt, Ground Drive
9	532137140	Clutch Electric	59	532140312	Keeper, Center Span
10	876020416	Pin Cotter 1/8 x 1 CAD	60	532121218	Keeper Belt Engine
15	874490544	Bolt Hex 5/16-18 Unc Flghd	61	817490612	Screw Thdrol. 3/8-16 x 3/4 Ty. TT
16	873800500	Nut Lock Hex W/Ins. 5/16-18 Unc P	62	532123533	Cover, Pedal Premium
17	532126197	Washer 1-1/2 OD x 15/32 ID x .250	63	532140189	Pulley, Engine
18	874780616	Bolt Fin Hex 3/8-16 Unc x 1 Gr.5	65	810040700	Washer Lock Hvy HLCL Spr 7/16
19	873800600	Nut Lock Hex W/Ins 3/8-16 Unc	68	532105730	Keeper Belt Engine
20	532150280	Bolt, Hex 7/16-20 x 4-1/4 Ga. 5	69	532142432	Screw
21	532140845	Knob Deluxe 1/2-13 UNC BLK/BLK	73	532140157	Strap Torque Rh Hydro 18/20" T
22	532145627	Rod, Brake Hydro	71	532140158	Strap Torque Lh Hydro 18/20" T
23	532137141	Bracket Asm Mtg CL	74	532121199	Spacer, Split
24	873350600	Nut Hex Jam 3/8-16 UNC	75	532121749	Washer 25/32 x 1-1/4 x 16 Ga.
25	532106888	Spring, Brake Rod	76	812000001	E-Ring
26	819131316	Washer	77	532123583	Key, Square
27	876020412	Pin Cotter 1/8 x 3/4 CAD.	78	532121748	Washer 25/32 x 1-5/8 x 16 Ga
28	532145204	Rod, Parking Brake	81	532140154	Shaft Asm. Cross Hydro 20" Tires
29	532071673	Cap, Parking Brake	82	532123782	Spring Torsion T/A
30	532130807	Bracket, Transaxle	83	819171216	Washer 17/32 x 3/4 x 16 Ga.
31	532127275	Keeper Belt Lh	84	532140548	Rod, Tie Hydro 20" Tires SPH Ball 4.75
32	874760512	Bolt Hex Hd 5/16-18 Unc x 3/4	86	532071208	Bushing Rod Strig. 629/632 ID
33	872140506	Bolt Carriage 5/16-18 UNC x 3/4	87	819212016	Washer 21/32 x 1-1/4 x 16 Ga.
34	532151128	Shaft, Foot Pedal	88	812000008	Ring Klip #5304-62
35	532120183	Bearing, Nylon	89	532151146	Console, Hydro YT/GT Fender
36	819211616	Washer	91	874780536	Bolt Fin Hex 5/16-18 x 2-1/4
37	532124963	Pin, Roll	92	874780524	Bolt Fin Hex 5/16-18 Unc x 1-1/2
38	532123674	Pulley, Idler, Flat	93	532142564	Line Fuel Hydro 4"
39	874760644	Bolt	94	532140462	Fan, Hydro 7"
40	532124965	Spacer Split	95	532144643	Control Asm. Bypass Hydro
41	532153399	Keeper, Belt Retainer	96	532124788	Retainer Spring 1" Zinc/Cad
42	819131312	Washer 13/32 x 13/16 x 12 Ga	97	532140469	Keeper Belt Rh Hydro 0750.18/20"
43	819111012	Washer 11/32 x 5/8 x 12 Ga.	98	873510600	Nut Keps Hex 3/8-16 Unc
44	532105706	Bearing, Nylon	100	819111216	Washer 11/32 x 3/4 x 16 Ga.
45	532110812	Washer, Hardened	102	532141322	Washer Belleville .501D x 1.50D
46	812000039	Ring, Klip	103	873940800	Nut Hex Jam Toplock 1/4-20 Unf
47	532127783	Pulley, Idler, V-Groove Plastic	104	532140156	Arm, Control Hydro
48	532123789	Bellcrank Assembly	105	871070516	Screw Cap Hex 5/16 x 18 x 1
49	532123205	Retainer, Belt Style Spring	106	874780520	Bolt Fin Hex 5/16-18 Unc x 1-1/4
50	874760624	Bolt			
51	873680600	Nut			
52	873680500	Nut Crown Lock 5/16-18			

NOTE: All component dimensions give in U.S. inches.
1 inch = 25.4 mm

REPAIR PARTS

TRACTOR - MODEL NO. YTH180 (954830145B)

STEERING ASSEMBLY



REPAIR PARTS

TRACTOR - MODEL NO. YTH180 (954830145B)

STEERING ASSEMBLY

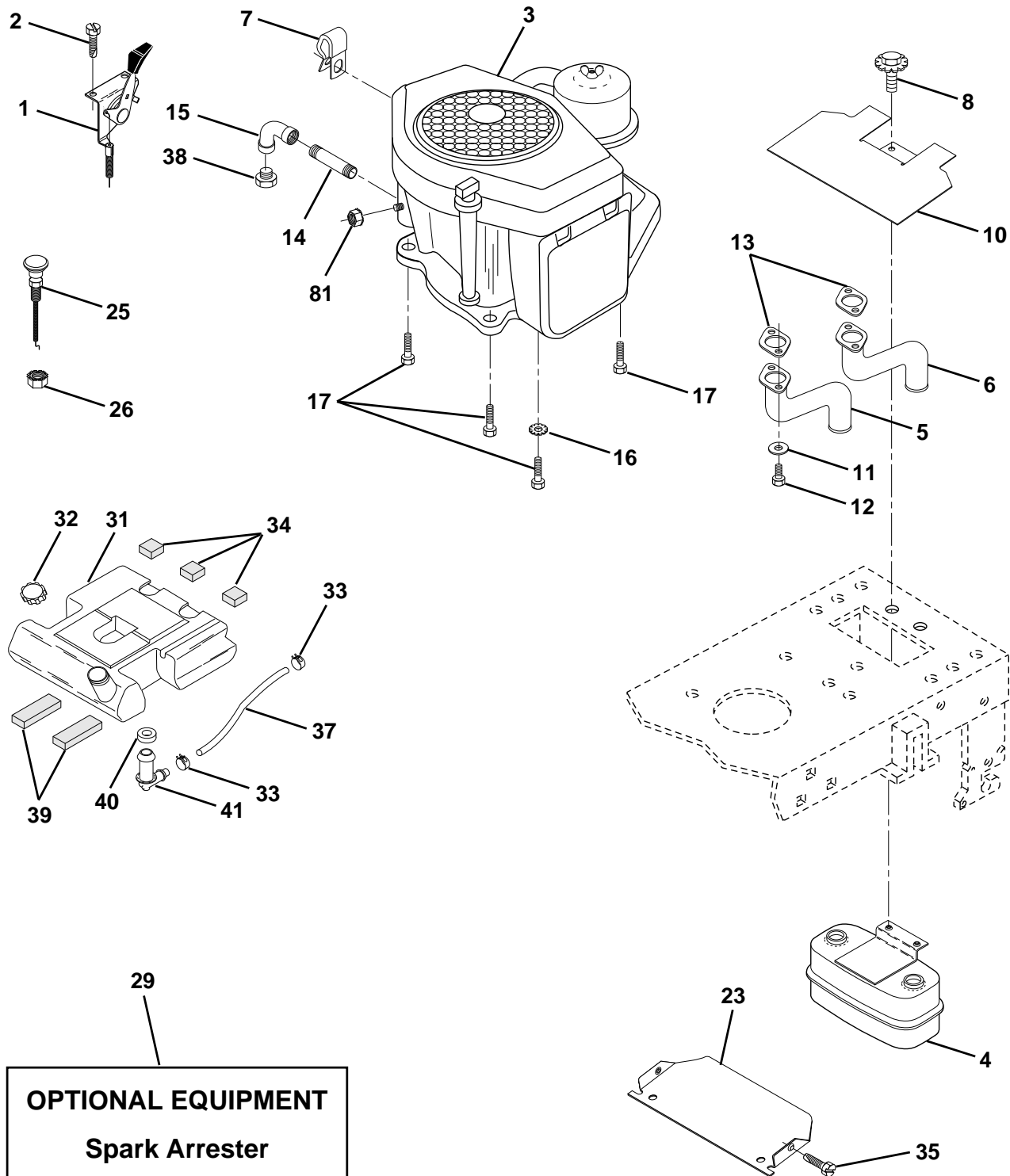
KEY NO.	PART NO.	DESCRIPTION
1	532124415	Wheel Steering Auto Grey
2	532142033	Axle Asm Fr LT W/gzks 38/42
3	532135227	Spindle Asm LH
4	532135228	Spindle Asm RH
5	532124931	Washer, Thrust .75 x 1.230
6	532121748	Washer 25/32 X 1-5/8 X 16 Ga
7	819272016	Washer 27/32 X 1-1/4 X 16 Ga
8	812000029	Ring Klip #t5304-75
9	532124937	Bearing Col Strg Blk
10	532130468	Link Drag Sol Ball Jt 20 064
11	810040600	Washer Lock Hvy Hlcl Spr 3/8
12	873610600	Nut Fin Hex 3/8-24 Unf
13	532110438	Spacer Bearing Axle Front
14	874011056	Bolt Hex 5/8-11 Unc X 3-1/2
15	873901000	Nut Lock Flange 5/8-11 Unc
16	532132624	Pin Axle 5/8 X 1 55/1 54 Lg
17	532140176	Shaft Asm Strg Private Label
18	532057079	Washer Thrust 515x 750x 033
19	532124035	Support Shaft
20	532126684	Washer Shim 1/4 X 5/8 X 062
21	810040400	Washer Lock Hvy Helical 1/4
22	871100410	Screw Cap Sckt Hd Phos & Oil
23	532127501	Shaft Asm Pittman
24	532109816	Nyliner Snap In
25	532124036	Bracket Steering
27	532136874	Gear Sector
29	817490612	Screw Thdrol 3/8-16x3/4 Ty-tt
32	532130467	Rod Tie Ball Jt Sol 19.75 Elec.
33	819111216	Washer 11/32 x 3/4 x 16 Ga.
34	810040500	Washer Lock Hvy HLCL SPR 5/16
35	873810500	Locknut 5/16-24 UNF 3847
36	532102803	Bushing Strg
37	532152927	Screw
38	532124416	Insert Cap Strg Wh Au Husq Gry
39	819133808	Washer 13/32 X 2-3/8 X 8 Ga
41	532100711	Adaptor Wheel Strg
42	532150390	Boot Steering Shaft
43	532121749	Washer 25/32 X 1 1/4 X 16 Ga
44	532153721	Extention Steering
46	532121232	Cap Spindle Fr Top Blk
47	532124836	Fitting Grease
50	817490412	Screw Hex Wsh Thdrol 1/4-20 x 3/4
51	873800500	Nut Lock Hex w/Ins 5/16-18
54	874780520	Bolt Fin Hex 5/16-18 Unc x 1-1/4
55	532140285	Clip Tinnerman
57	532140172	Support Shaft Steering
62	532149686	Kit, Steering Assembly
63	874780616	Bolt Fin Hex 3/8-16unc x 1 Gr. 5

NOTE: All component dimensions given in U.S. inches.
1 inch = 25.4 mm.

REPAIR PARTS

TRACTOR - MODEL NO. YTH180 (954830145B)

ENGINE



REPAIR PARTS

TRACTOR - MODEL NO. YTH180 (954830145B)

ENGINE

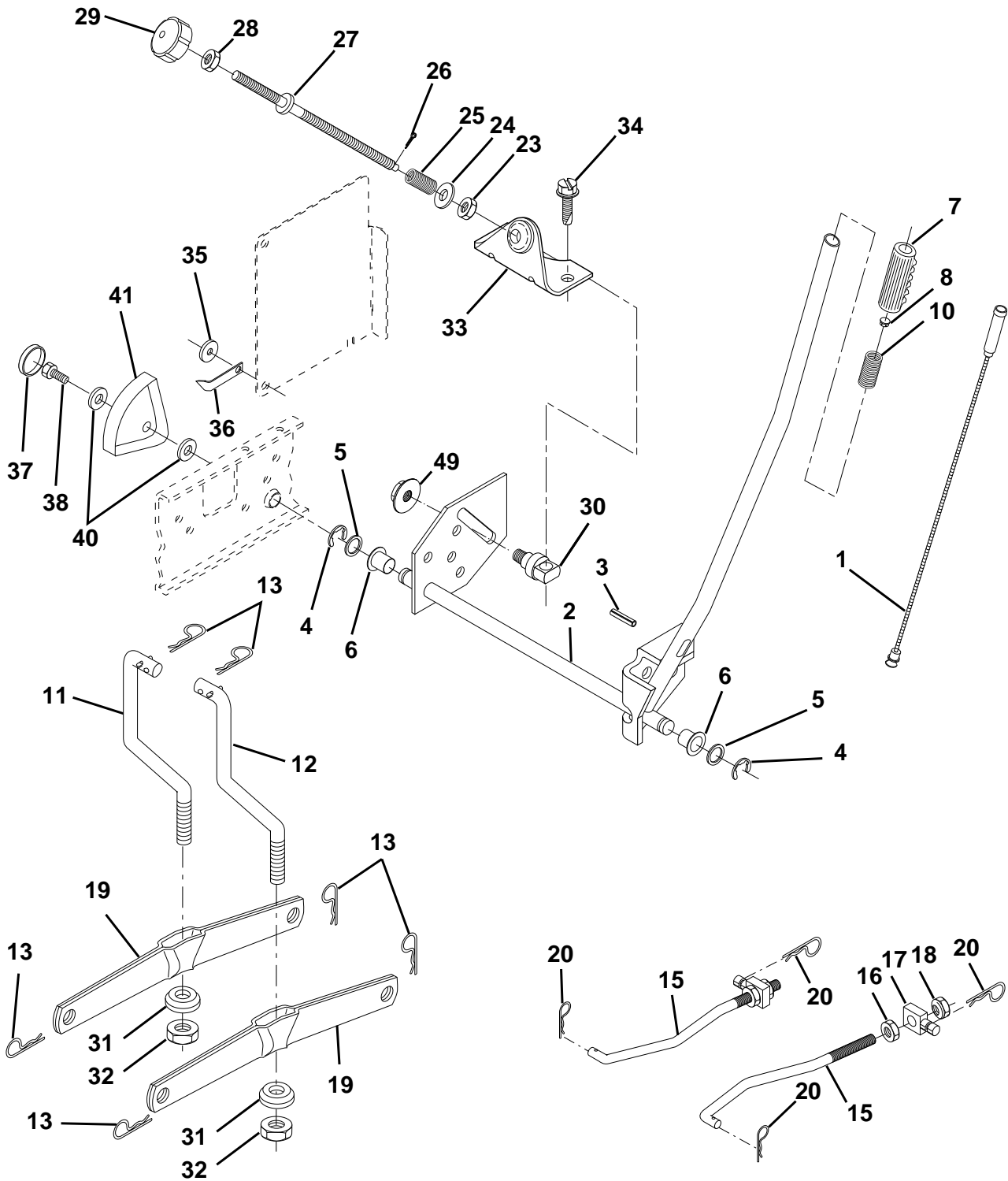
KEY NO.	PART NO.	DESCRIPTION
1	532150715	Control Throt LH Blk 180 46"
2	817720410	Screw Hex Thd Cut 1/4-20x5/8 T
3	-----	Engine Model No. CV18S
4	532149723	Muffler Asm Twin Lo-Tone
5	532146699	Pipe Exhaust CV18/20 LH
6	532146700	Pipe Exhaust CV18/20 RH
7	532124996	Clip, Fuel Line
8	532150176	Bolt 5/16-18unc x 3/4 W/Sems
10	532146629	Shield Heat Muffler CV18/20
11	-----	Washer Lock Hvy Hlcl 1/4 (Order from Engine Manufacturer)
12	-----	Bolt, Fin Hex 1/4-20 x 3/4 (Order from Engine Manufacturer)
13	-----	Muffler Gasket (Order from Engine Manufacturer)
14	813280336	Nipple Pipe 3/8 Npt X 4-1/2"
15	813200300	Elbow Std 90 Degree 3/8-18 Npt
16	811050600	Washer Lock Ext Tooth 3/8
17	817490624	Screw Thdrol 3/8-16 x 1-1/2
23	532150554	Shield Heat Browning LT/YT
25	532145996	Choke Control 37"
26	873920600	Nut, Keps 3/8-24 Unf
29	532137180	Kit Spark Arrestor (Flat Scrn)
31	532151346	Tank Fuel 3 50 Rear
32	532140527	Cap Asm Fuel Top N/Lany Vented
33	532123487	Clamp Hose Blk
34	532106082	Pad, Spacer
35	817490512	Screw Thdrol 5/16-18 x 3/4
37	532124923	Line Fuel 7.5
38	-----	Plug Oil Drain (Order From Engine Manufacturer)
39	532109227	Pad, Idler
40	532124952	Bushing
41	532139277	Stem Tank Fuel
81	532128861	Nut Flange 1/4-20 Starter Nut

NOTE: All component dimensions given in U.S. inches.
1 inch = 25.4 mm

REPAIR PARTS

TRACTOR - MODEL NO. YTH180 (954830145B)

MOWER LIFT



REPAIR PARTS

TRACTOR - MODEL NO. YTH180 (954830145B)

MOWER LIFT

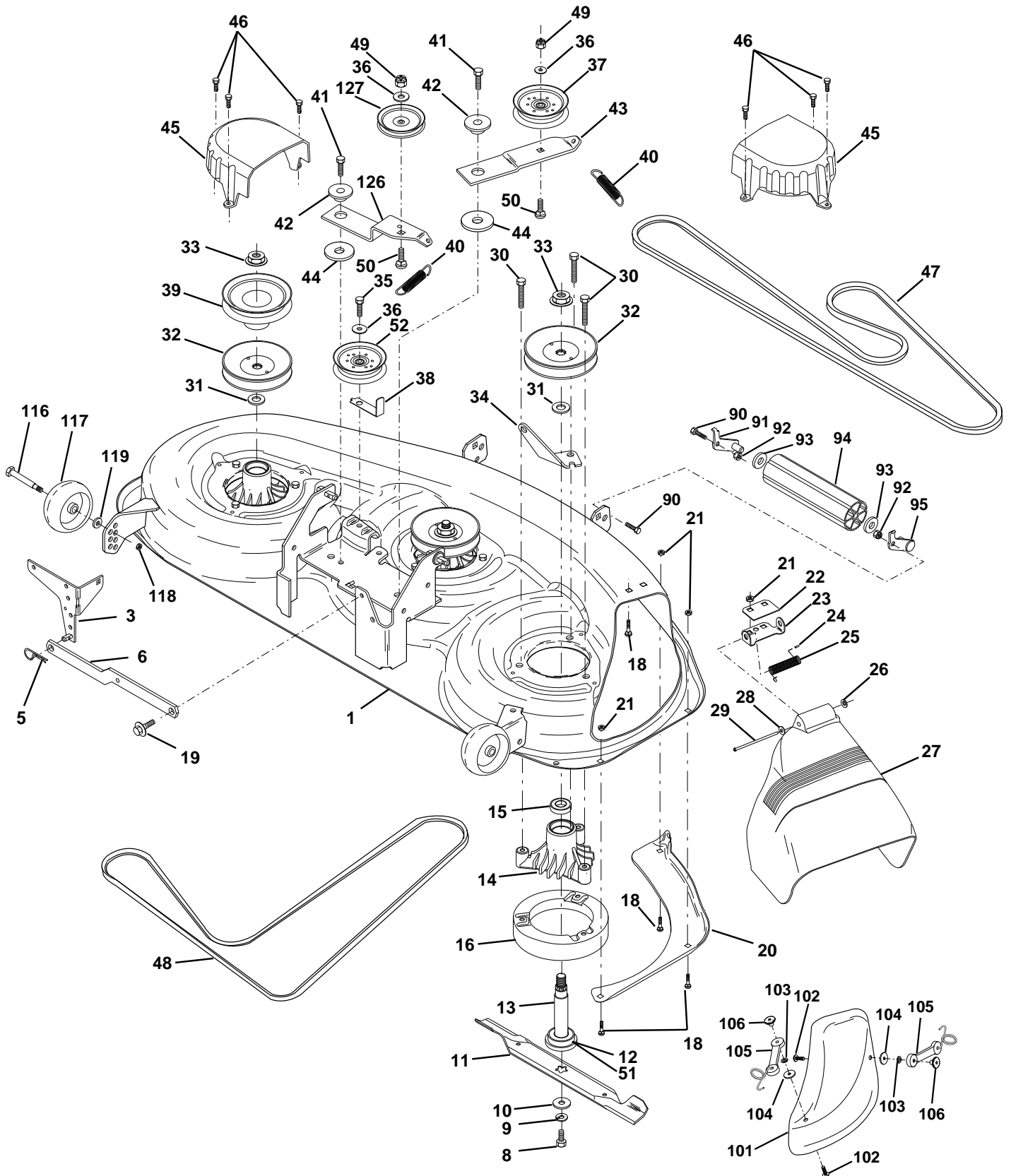
KEY NO.	PART NO.	DESCRIPTION
1	532136973	Wire Asm Inner W/plunger 17.32
2	532145117	Shaft Asm Lift RH w/Inf
3	532105767	Pin Groove 1 500 Zinc
4	812000002	E Ring #5133-62
5	819211621	Washer 21/32 X 1 X 21 Ga
6	532120183	Bearing Nylon Blk 629 Id
7	532125631	Grip Handle Fluted Blk
8	532124526	Button Plunger Black
10	532122512	Spring Cprsn 3 750 Oiled
11	532139865	Link Lift LH Fixed Length
12	532139866	Link Lift RH Fixed Length
13	532124670	Retainer Spring
15	532127218	Link Front
16	873350800	Nut Jam Hex 1/2-13 Unc
17	532130171	Trunnion Blk Zinc
18	873800800	Nut Lock W/wsh 1/2-13unc
19	532139868	Arm Suspension Rear
20	532124660	Retainer Spring
23	532110807	Nut Special
24	819131016	Washer 13/32 X 5/8 X 16 Ga
25	532124874	Spring 2-1/8"
26	876020308	Pin Cotter 3/32 X 1/2
27	532126971	Rod Adj Lift Zinc 7.49 Wrk Lg
28	873350600	Nut Hex Jam 3/8-16 Unc
29	532138057	Knob Inf 3/8-16 Unc Blk W/sym
30	532150233	Trunnion Infin Height
31	532140302	Bearing Pvt Lift Spherical
32	873540600	Nut Nylock 3/8 - 24
33	532140168	Bracket, Stop Inf. Hgt.
34	817490608	Screw THDROL 3/8-16 x 1/2 TY-TT
35	532120529	Washer Nylon .44 x .75 x .032
36	532138346	Pointer Pnt Height ind .505
37	532123935	Plug Hole Blk 1.485/1.515 Dia.
38	817490512	Screw Thdrol 5/16-18 x 3/4
40	819112410	Washer 11/32 x 1-1/2 10 Ga.
41	532123934	Scale Ind. Height Blk.
49	532145212	Nut Hex Flange

NOTE: All component dimensions given in U.S. inches
1 inch = 25.4 mm

REPAIR PARTS

TRACTOR - MODEL NO. YTH180 (954830145B)

MOWER DECK



REPAIR PARTS

TRACTOR - MODEL NO. YTH180 (954830145B)

MOWER DECK

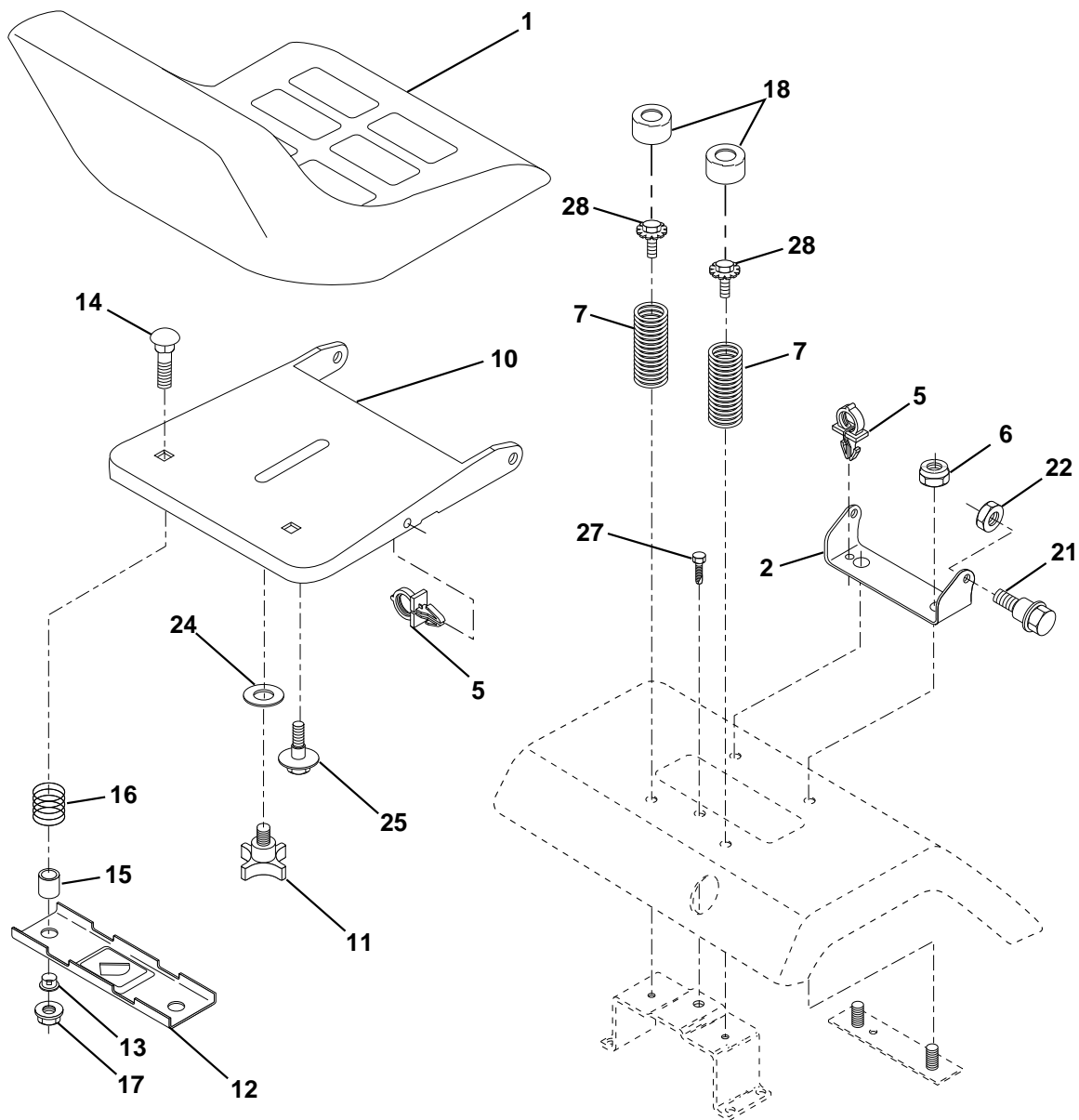
KEY NO.	PART NO.	DESCRIPTION	KEY NO.	PART NO.	DESCRIPTION
1	532153125	Deck Asm., Mower 46"	41	817490620	Screw, Thdroll 3/8-16 x 1-1/4 Tytt
3	532138457	Bracket Asm., Sway Bar	42	532122052	Spacer, Retainer
5	532124670	Retainer Spring	43	532144949	Arm, Idler Secondary
6	532130832	Arm, Suspension, Rear (Sway Bar)	44	532133943	Washer, Hardened
8	532850857	Bolt, Patched 3/8-24 x 1-1/4 Gr. 8	45	532145059	Cover, Mandrel Deck
9	810030600	Washer, Lock Hvy., Unplated 3/8	46	532137729	Screw, Thdroll. 1/4-20 x 5/8
10	532140296	Washer, Hard Blade, Mower Vented	47	532144959	V-Belt, Mower, Secondary
11	532152443	Blade, 46" Mower Deck	48	532148763	V-Belt, Mower, Primary
12	532129895	Bearing, Ball, Mandrel #6204	49	873680600	Nut, Crownlock 3/8-16 UNC
13	532137553	Shaft Asm. w/Lower Bearing (Includes Key No. 12)	50	872110612	Bolt, Carriage 3/8-16 x 1-1/2 Gr. 5
14	532137152	Housing, Mandrel	51	532153390	Washer Felt
15	532110485	Bearing, Ball, Mandrel	90	874760616	Bolt, Fin, Hex 3/8-16 UNC x 1
16	153240329	Stripper, Mower Round	91	532132274	Bracket, Asm Noseroller, LH
18	872140505	Bolt, Carriage 5/16-18 x 5/8	92	873800600	Nut, Lock, Hex w/Ins 3/8-16UNC
19	532132827	Bolt, Hex Head, Shoulder 5/16-18	93	819171416	Washer 17/32 x 7/8 x 16 Ga.
20	532145055	Baffle, Vortex Mower 46"	94	532132264	Roller, Nose 38 & 42
21	873680500	Nut, Crownlock 5/16-18 UNC	95	532132273	Bracket, asm Noseroller RH
22	532134753	Stiffener, Bracket	101	532145579	Cover, Mulching
23	532131267	Bracket, Deflector	102	871161010	Screw
24	532105304	Cap, Sleeve	103	810071000	Washer, Lock #10
25	532123713	Spring, Torsion, Deflector	104	819061216	Washer
26	532110452	Nut, Push	105	532130758	Latch Asm. Bagger
27	532145325	Shield, Deflector Mower	106	532125004	Nut, Weld
28	819111016	Washer 11/32 x 5/8 x 16 Ga.	116	532137644	Bolt, Shoulder
29	532131491	Rod, Hinge	117	532133957	Gauge Wheel
30	532138776	Screw, Hex Head, Thdroll	118	873930600	Nut, Centerlock 3/8-16 UNC
31	532129963	Washer, Spacer Mower Vented	119	819121414	Washer 3/8 x 7/8 x 14 Ga.
32	532153531	Pulley, Mandrel	126	532144948	Arm, Idler, Primary Deck 46"
33	532137266	Nut, Fig. Top Lock Cntr. 9/16	127	532146763	Pulley, Idler, V-Groove Dim. 4.25
34	532144945	Anchor, Spring Deck 46"	--	532143651	Mandrel Asm. (Includes Key No.s 8-10, 12-15, 31 and 33)
35	817490628	Screw, Thdroll 3/8-16 x 1-3/4 Tytt	--	532151775	Deck Serv. Complete (Standard Deck - Order Nose Roller, Gauge Wheel and Mulcher Plate components separately Key Nos. 90-95, 101-106 and 116-119)
36	819131316	Washer 13/32 x 13/16 x 16 Ga.			
37	532131494	Pulley, Idler, Flat			
38	532137554	Keeper, Belt, Idler			
39	532144917	Pulley, Idler, Driven			
40	532137273	Spring, Secondary 44/46/50 Vent			

NOTE: All component dimensions given in U.S. inches
1 inch = 25.4 mm

REPAIR PARTS

TRACTOR - MODEL NO. YTH180 (954830145B)

SEAT ASSEMBLY



KEY PART NO. NO.

DESCRIPTION

1	532140840	Seat 2500/1516 H AYP PL GRY/ BLK
2	532140551	Bracket Pivot Seat 8 720
5	532145006	Clip Push-In
6	873800600	Nut Hex w/Ins. 3/8-16 Unc
7	532124181	Spring Seat Cprsn 2 250 Blk Zi
10	532140552	Pan Seat
11	532120068	Knob seat 1/2-13 Unc
12	532121246	Bracket Mounting Switch
13	532121248	Bushing Snap Blk Nyl 50 Id
14	872050411	Bolt Rdhd Sht Nk 1/4-20x1-3/8

KEY PART NO. NO.

DESCRIPTION

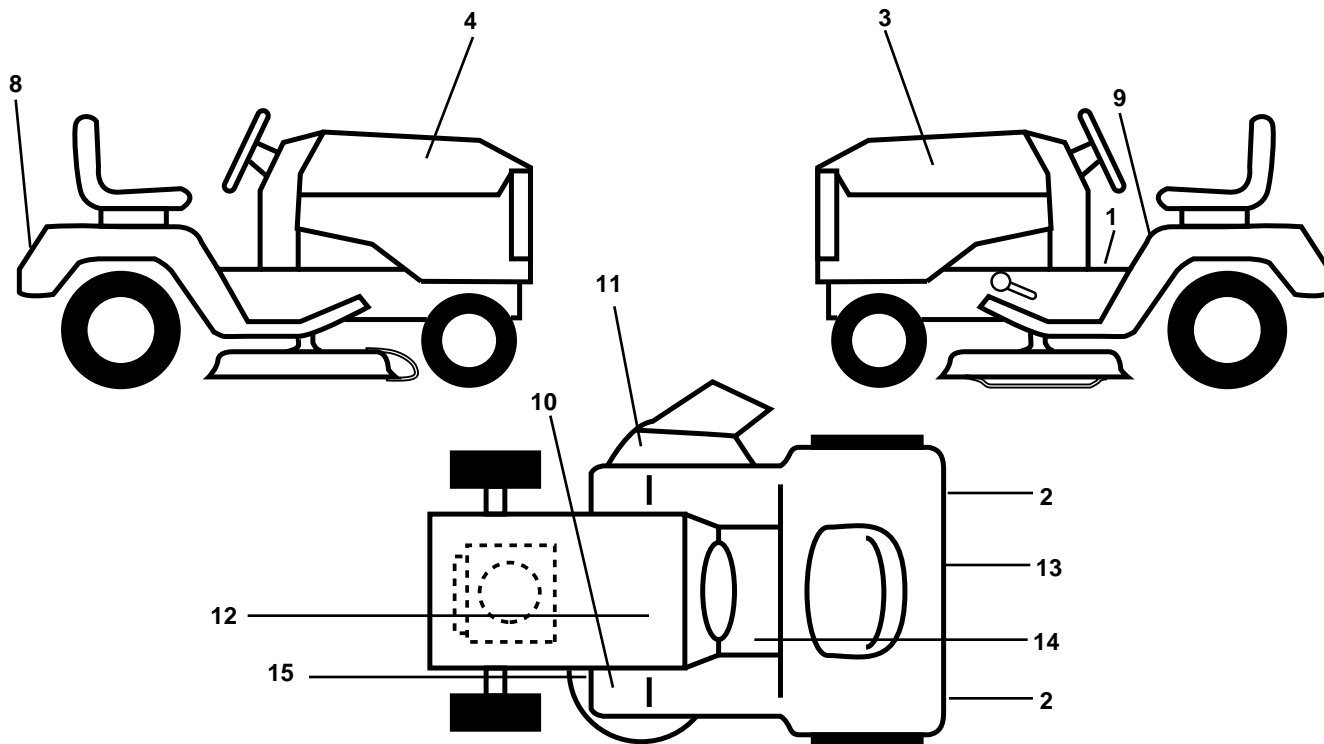
15	532121249	Spacer Split .28 x .88 Zinc
16	532123740	Spring Cprsn Plate sw 1.310 Ga.
17	532123976	Nut Lock 1/4 Lge Flg Gr 5 Zinc
18	532124238	Cap Spring Seat
21	532153236	Bolt Shoulder 5/16-18 Unc
22	873800500	Nut Hex Lock W/Ins 5/16-18
24	819171912	Washer 17/32 X 1-3/16 X 12 Ga.
25	532127018	Bolt Shoulder 5/16-18 X 62
27	817490608	Screw, THDROL 3/8-16 x 1/2
28	532150176	Bolt 5/16-18 UNC x 3/4 w/sem

NOTE: All component dimensions given in U.S. inches.
1 inch = 25.4 mm

REPAIR PARTS

TRACTOR - MODEL NO. YTH180 (954830145B)

DECALS



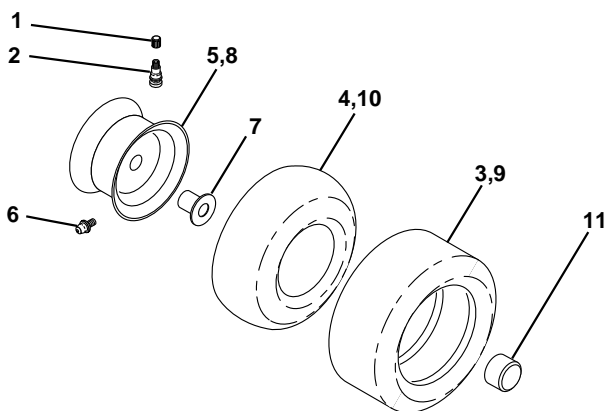
KEY NO.	PART NO.	DESCRIPTION
1	532140820	Decal Instruction Dash Eng/fr
2	532106202	Reflector Tail Light Red/amber
3	532150728	Decal Hood LH Husq P/L YTH180
4	532150727	Decal Hood RH Husq P/L YTH180
8	532150617	Decal Fender Logo Husq
9	532133795	Decal Caution Fender Eng/fr
10	532101892	Decal Clutch/brake Eng/fr
11	532137259	Decal Warning Multi-Language
12	532146451	Decal Bat Dan/Poi P/L Sym WAC
13	532142341	Decal Drawbar CNTRL MVT HYD LT
14	532142337	Decal SDL COLD START HYD E/F
15	532139346	Decal V-Belt Schematic 44" 46" 50" Vented

KEY NO.	PART NO.	DESCRIPTION
--	532138311	Decal Handle Lft Height Adjust
--	532145246	Pad FTREST RBR SQ Generic 95
--	532145247	Fastener Pop In Footrest (8per)
--	532154719	Manual Owner's (English)
--	532154720	Manual Owner's (French)

Available accessories not included with tractor:

- LBD48 42" Snow Blade
- LSB42 40" Snow Thrower
- LC05 33lb. Wheel Wts. (Pair)
- LC06 Tire Chains (20 x 10 x 8)
- C42 Grass Catcher

WHEELS & TIRES



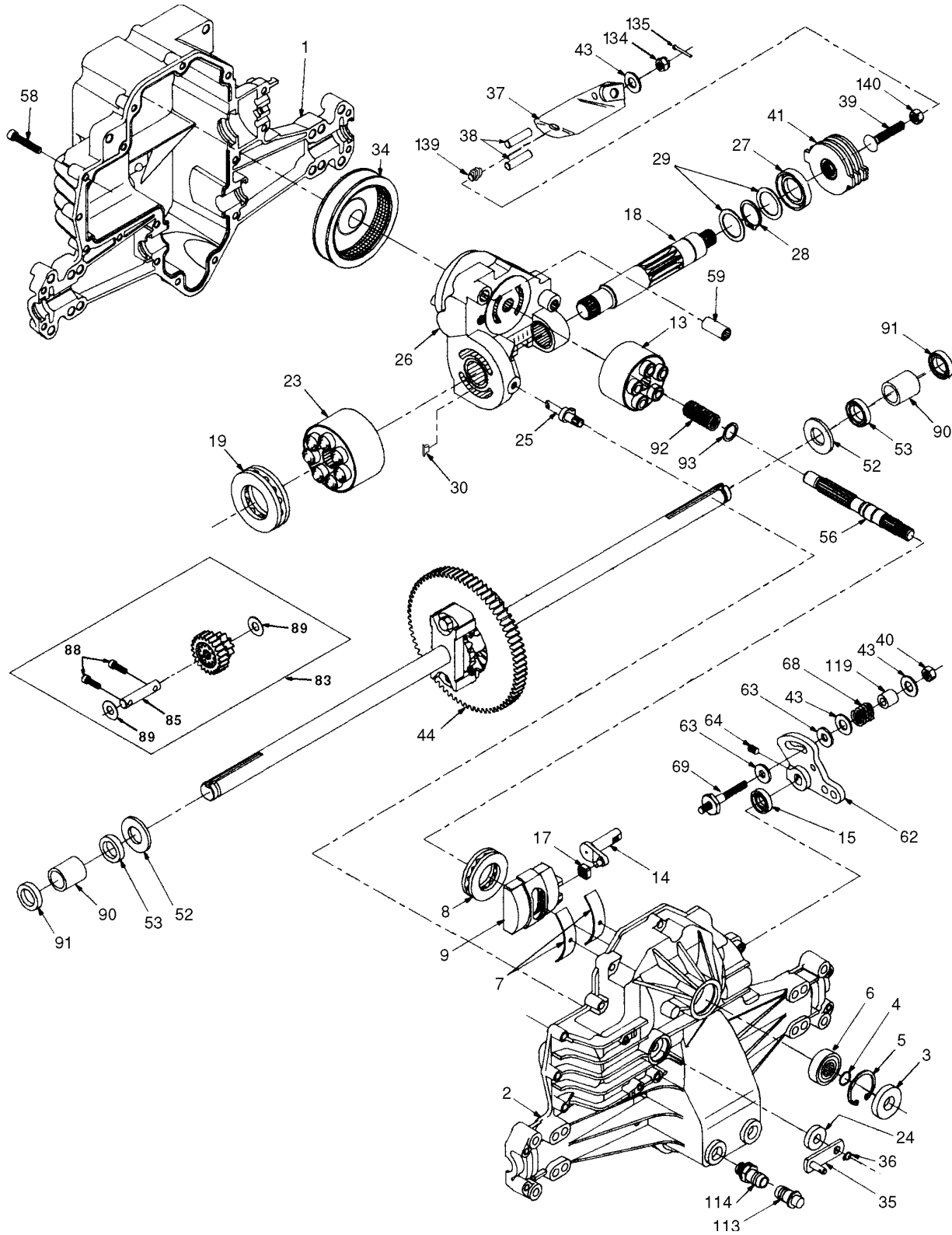
KEY NO.	PART NO.	DESCRIPTION
1	532059192	Cap Valve Tire
2	532065139	Stem Valve
3	532106222	Tire F Ts 15 X 6 0 - 6 Service
4	532059904	Tube Front (Service Item Only)
5	532138336	Rim Asm 6" front Silver Service
6	532124957	Fitting Grease (Front Wheel Only)
7	532124959	Bearing Flange (Front Wheel Only)
8	532138337	Rim Asm 8" rear Silver Service
9	532122082	Tire R Ts 20 x 10-8 C Service
10	532124926	Tube Rear (Service Item Only)
11	532104757	Cap Axle Blk 1 50 X 1 00
--	532144334	Sealant, Tire (10 oz. Tube)

NOTE: All component dimensions given in U.S. inches
1 inch = 25.4 mm

REPAIR PARTS

TRACTOR - MODEL NO. YTH180 (954830145B)

HYDRO TRANSAXLE - MODEL NUMBER 0310-0650



REPAIR PARTS

TRACTOR - MODEL NO. YTH180 (954830145B)

HYDRO TRANSAXLE - MODEL NUMBER 0310-0650

KEY PART NO. NO.	DESCRIPTION	KEY PART NO. NO.	DESCRIPTION		
1	532142930	Housing, Lower	43	532142884	Washer 7/16 x 7/8 x .060
2	532142931	Assembly, Upper Housing	44	532150829	Differential Assembly
3	532142932	Seal, Lip	52	532142991	Washer 3/4 x 1.5 x .13
4	532142928	Ring, Wire Retaining	53	532142961	Seal .75 x 1.25 x .250
5	532142933	Ring, Retaining	56	532142963	Shaft, Input
6	532142934	Bearing, Shaft Ball	58	532142964	Bolt 1/4-20 x 1.38
7	532142935	Bearing, Cradle	59	532142965	Pin .5 OD x .43 ID x .750
8	532150771	Bearing, Thrust 30 x 52 x 13	62	532142966	Arm, Control
9	532142937	Swashplate, Variable	63	532142967	Puck, Dampener
13	532142938	Block, Cylinder Assembly	64	532142920	Set Screw
14	532142939	Arm, Trunnion	68	532142969	Spring
15	532142940	Seal, Lip	69	532144610	Stud 5/16-24
17	532142941	Guide, Slot	83	532142971	Jackshaft Assembly
18	532150772	Shaft, Motor	85	532150806	Jackshaft
19	532150773	Bearing, Thrust 42 x 68 x 16	88	532142973	Screw, Cap
23	532142944	Block, Cylinder Assembly	89	532142974	Washer 7/16 x 1 x 1/2
24	532142945	Seal, Lip 10 x 25 x 7	90	532142975	Sleeve Bearing
25	532142946	Actuator, Bypass	91	532142976	Seal, Wiper
26	532150774	Center Section Assembly Kit	92	532142977	Spring, Block
27	532142948	Seal, Lip 26 x 42 x 8	93	532142978	Washer, Block Thrust
28	532142949	Ring, Retaining	113	532142917	Cap, Vent Assembly
29	532142950	Washer 26 x 35 x 1	114	532142918	Fitting, O-Ring Assembly
34	532142951	Oil Filter Element	119	532142980	Spacer
35	532142952	Arm, Bypass	134	532144607	Nut, Castle 5/16-24
36	532142953	Ring, Retaining	135	532144608	Pin, Cotter
37	532142954	Arm, Actuating	139	532150775	Spring, Compression
38	532142955	Pin, Actuating	140	532150776	Nut, Hex 5/16-24
39	532150777	Bolt 5/16-24 x 1-3/4			
40	532150778	Locknut, Hex 5/16-24 UNJC			
41	532142958	Brake Rotor/Stator Kit			

NOTE: All component dimensions given in U.S. inches
1 inch = 25.4 mm