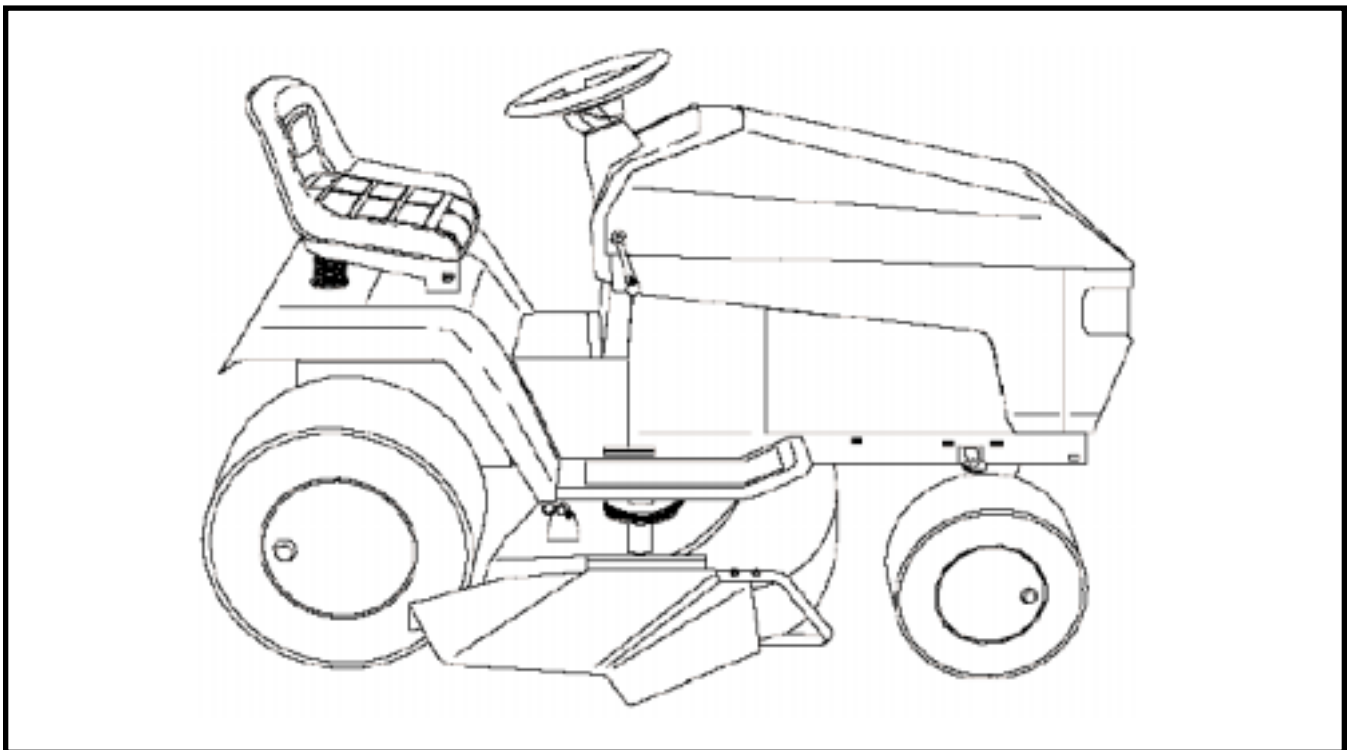


# LTH 125

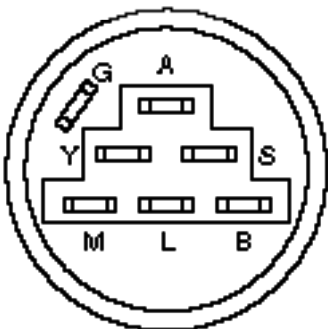
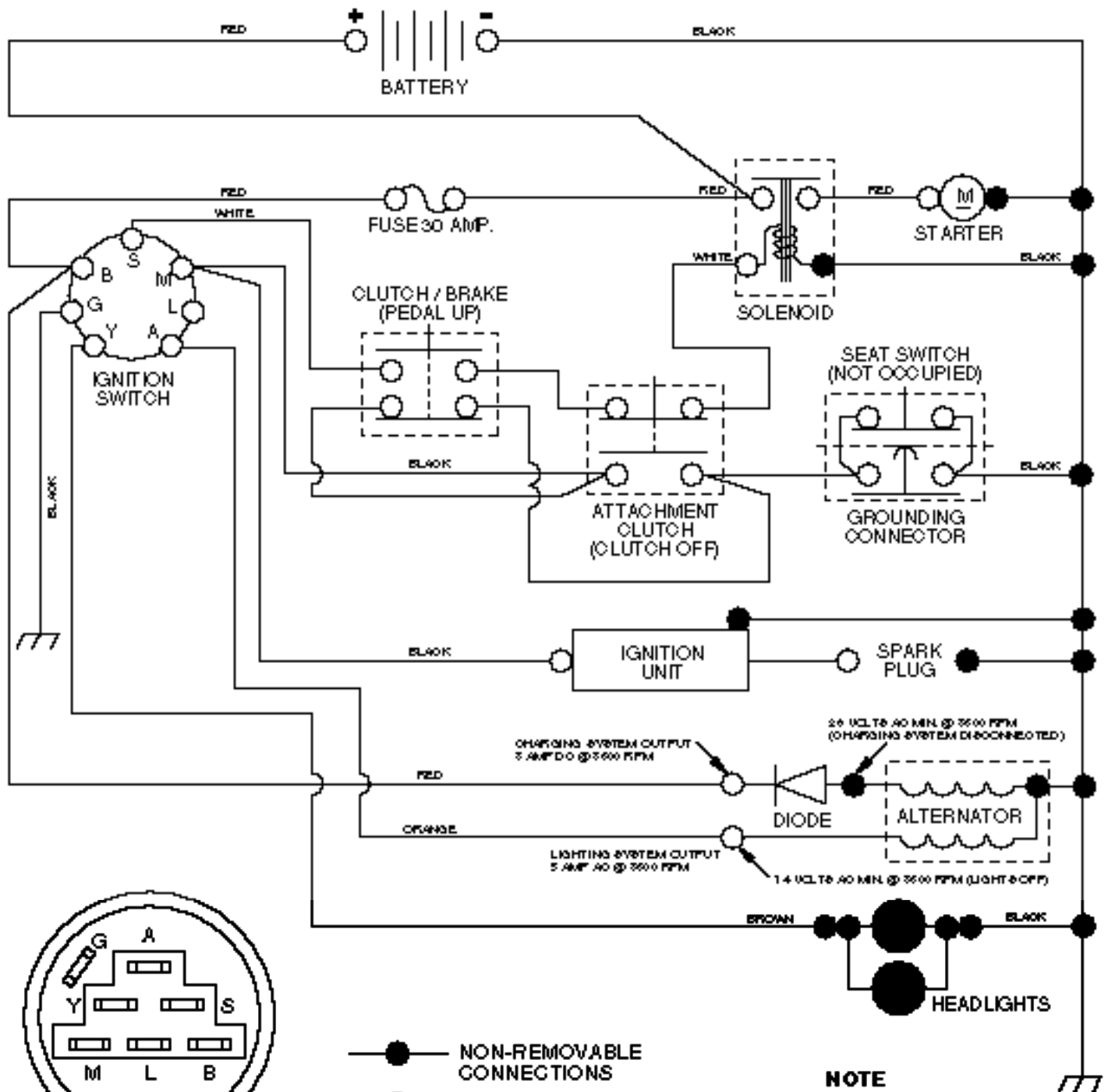


**Ride Mower**

**HC125H42C**

**954002721**

**SCHEMATIC**



**IGNITION SWITCH**

POSITION	CIRCUIT	"MAKE"
OFF	G + M + L	NONE
RUN/LIGHT	B + L	A + Y
RUN	B + L	NONE
START	B + L + S	NONE

- NON-REMOVABLE CONNECTIONS
- REMOVABLE CONNECTIONS

**WIRING INSULATED CLIPS**  
**NOTE:** IF WIRING INSULATED CLIPS WERE REMOVED FOR SERVICING OF UNIT, THEY SHOULD BE REPLACED TO PROPERLY SECURE YOUR WIRING

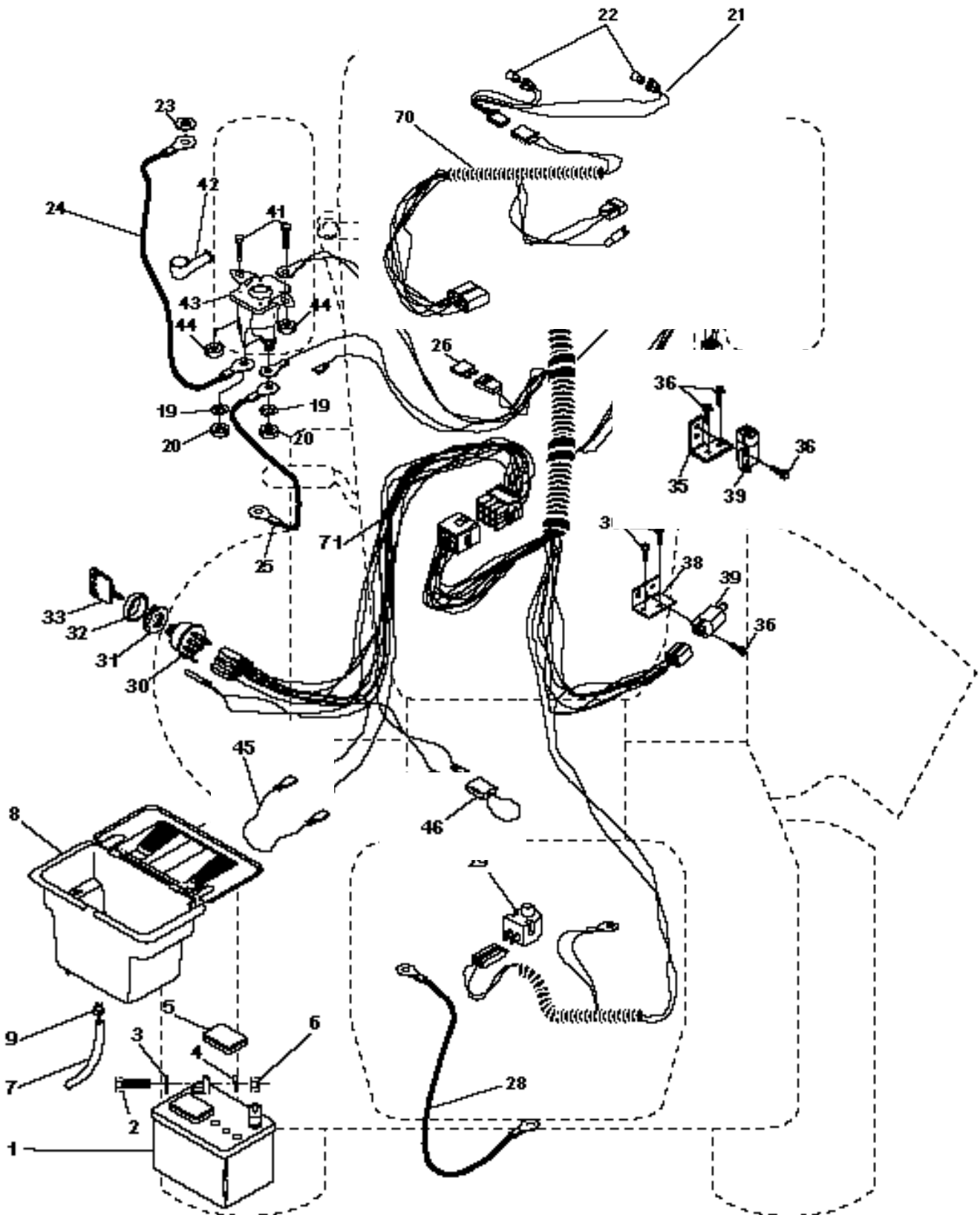
**NOTE**  
 YOUR TRACTOR IS EQUIPPED WITH A SPECIAL ALTERNATOR SYSTEM. THE LIGHTS ARE NOT CONNECTED TO THE BATTERY, BUT HAVE THEIR OWN ELECTRICAL SOURCE. BECAUSE OF THIS, THE BRIGHTNESS OF THE LIGHTS WILL CHANGE WITH ENGINE SPEED. AT IDLE THE LIGHTS WILL DIM. AS THE ENGINE IS SPEEDED UP, THE LIGHTS WILL BECOME THEIR BRIGHTEST.

# REPAIR PARTS

TRACTOR- -MODEL NO. LTH125 (HC125H42C),

PRODUCT NO. 954 00 27-21

## ELECTRICAL



# REPAIR PARTS

TRACTOR- -MODEL NO. LTH125 (HC125H42C),

PRODUCT NO. 954 00 27-21

## ELECTRICAL

KEY NO.	PART NO.	DESCRIPTION
1	532121265	Battery 12 Volt 25 Amp
2	874760412	Bolt Hex Hd 1/4-20unc X 3/4
3	819091016	Washer 9/32 X 5/8 X 16 Ga
4	810040400	Washer Lock Hvy Helical 1/4
5	532121264	Caps Battery 20/25/30 AMP
6	873220400	Nut Fin Hex 1/4-20 Unc
7	532109238	Tube Plastic 20"
8	532129965	Battery Case Hng Mech
9	532109596	Clamp Hose Olive
19	810090400	Washer Lock 1/4
20	873350400	Nut Jam Hex 1/4-20 Unc
21	532136850	Harness Asm Light W/4152j
22	532004152	Bulb Light #1156
23	811150400	Washer Lock Internal Tooth 1/4
24	532124780	Cable Battery 6 Ga 11"red
25	532132202	Cable Battery 6 Ga 43"red
26	532108824	Fuse 30 AMP Auto Green
28	532124773	Cable Ground 6 Ga 12"black
29	532121305	Switch Plunger Nc Gray
30	532140301	Switch Ign 4 Pos.
31	532124211	Nut Ignition
32	532141226	Cover Sw Key Blk 1 25 Text SLT
33	532122147	Key Ign
35	532108236	Bracket Switch Clutch
36	817021008	Screw Tap Hex #10-24unc X 1/2
38	532140336	Bracket Switch Interlock
39	532109553	Switch Intlk Clutch Gry 4 Term
40	532140707	Harness Ign Lt Mech Dash
41	871110408	Bolt Fin Hex 1/4-20 x 1/2
42	532131563	Cover Terminal Red
43	532138406	Solenoid
44	873640400	Nut Keps Hex 1/4-20 Unc
45	532140844	Adapter Ammeter rectangular
46	532141940	Protection Wire Loop (Hourmeter)
70	532141163	Harness Eng. B&S
71	532140710	Harness Dash Lt Private Label

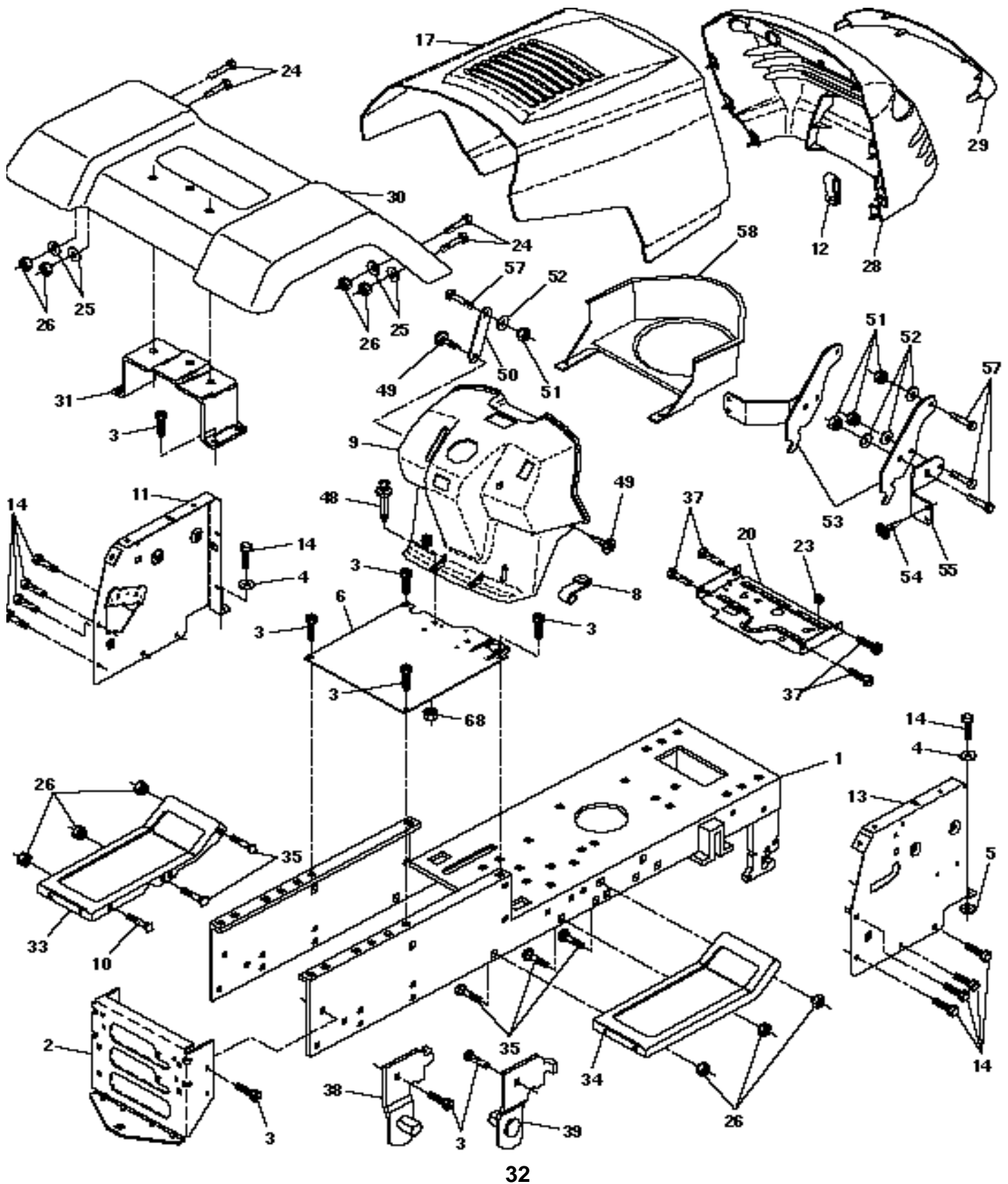
**NOTE:** All component dimensions given in U.S. inches.  
1 inch = 25.4 mm

# REPAIR PARTS

TRACTOR- -MODEL NO. LTH125 (HC125H42C),

PRODUCT NO. 954 00 27-21

## CHASSIS AND ENCLOSURES



# REPAIR PARTS

TRACTOR- -MODEL NO. LTH125 (HC125H42C),

PRODUCT NO. 954 00 27-21

## CHASSIS AND ENCLOSURES

KEY NO.	PART NO.	DESCRIPTION
--	532005479	Plug Button
1	532140341	Chassis Weldment 11ga
2	532140356	Drawbar, Stretch
3	817490612	Screw Thdrol 3/8-16x3/4 Ty-tt
4	819131216	Washer 13/32 x 3/4 x 16 Ga.
5	811050600	Washer Lock Ext. Tooth 3/8
6	532145206	Saddle LT Fender Shift
8	532126471	Clip Insulator .406 Mtg Hole
9	532140072	Dash Private Label
10	872140608	Bolt Carriage 3/8-16 x 1
11	532140311	Panel Pnt Dash Lh
12	532145660	Clip Tinnerman Grille Private Label
13	532140178	Panel Dash Rh Weldment
14	817490608	Screw Thdrol 3/8-16x1/2 Ty-tt
17	532144320	Hood Paint Steel Private Label
20	532140281	Support Battery
23	532124028	Bushing
24	874780616	Bolt Fin Hex 3/8-16unc X1
25	819131312	Washer 13/32 X 13/16 X 12 Ga
26	873800600	Nut Lock 3/8-16 Unc
28	532140141	Grille Private Label
29	532140273	Lens Grille Private Label
30	532143050	Fender Pnt
31	532136619	Bracket Pnt Fender
33	532124899	Footrest Pnt Lh
34	532124914	Footrest Pnt Rh
35	872110606	Bolt Rdhd Sht Sqnk 3/8-16 X3/4
37	817490512	Screw Thdrol 5/16-18 X3/4
38	532139886	Bracket, Asm. Pivot, L.H., Mower Rear
39	532139887	Bracket, Asm. Pivot, R.H., Mower Rear
48	532138096	Rivet Push
49	817490412	Screw Hexwsh. Thdrol 1/4-20 x 3/4
50	532142779	Brace
51	873800400	Nut Lock Hex W/Ins 1/4-20
52	819091416	Washer 9/32 x 7/8 x 16 Ga.
53	532140219	Hinge Pickoff Hood
54	817030814	Screw Lock Spider #8 x 7/8
55	532143007	Bracket, Grill
57	874780412	Screw Hex 1/4-20 x 3/4
58	532140806	Air Duct P/L
68	873510400	Nut Keps Hex 1/4-20 UNC

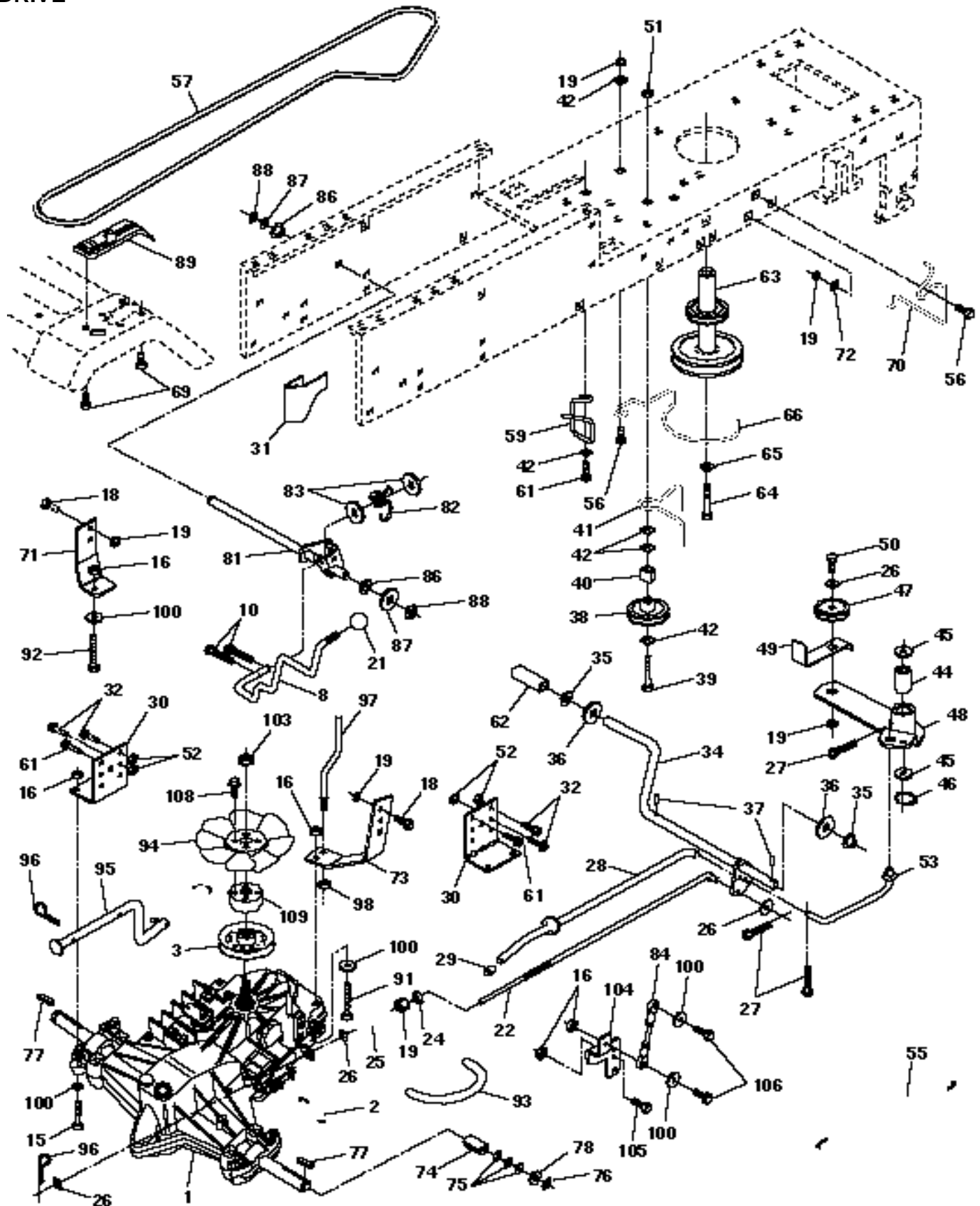
**NOTE:** All component dimensions given in U.S. inches.  
1 inch = 25.4 mm

# REPAIR PARTS

TRACTOR- -MODEL NO. LTH125 (HC125H42C),

PRODUCT NO. 954 00 27-21

## DRIVE



# REPAIR PARTS

TRACTOR- -MODEL NO. LTH125 (HC125H42C),

PRODUCT NO. 954 00 27-21

## DRIVE

KEY NO.	PART NO.	DESCRIPTION	KEY NO.	PART NO.	DESCRIPTION
1	532140607	Transaxle Assembly	61	817490612	Screw Thdrol. 3/8-16 x 3/4 Ty. TT
2	532142431	Spring, Return, Brake	62	532124872	Cover, Pedal
3	532144698	Pulley, Transaxle	63	532140186	Pulley, Engine
8	532141003	Rod Shift Hydro LT	64	871170764	Bolt, Hex
10	876020416	Pin Cotter 1/8 x 1 CAD	65	810040700	Washer
15	874780544	Bolt Fin Hex 5/16-18 Unc	66	532129921	Keeper Belt Engine
16	873800500	Nut Lock Hex W/Ins 5/16-18 Unc P	69	532142432	Screw
18	874780616	Bolt Fin Hex 3/8-16 Unc x 1 Gr. 5	70	532134683	Keeper Belt Engine
19	873800600	Nut Lock Hex W/Wsh 3/8-16 Unc	71	532141417	Strap Torque Lh Hydro 500 18"
21	532140845	Knob 1/2-13	72	819132012	Washer 13/32 x 1-1/4 x 12 Gauge
22	532145627	Rod, Brake Hydro	73	532141418	Strap Torque Rh Hydro 500 18"
24	873350600	Nut	74	532121199	Spacer, Split
25	532106888	Spring, Brake Rod	75	532121749	Washer 25/32 x 1-1/4 x 16 Gauge
26	819131316	Washer	76	812000001	E-Ring
27	876020412	Pin Cotter 1/8 x 3/4 CAD.	77	532123583	Key, Square
28	532145204	Rod, Parking Brake	78	532121748	Washer 25/32 x 1-5/8 x 16 Gauge
29	532071673	Cap, Parking Brake	81	532141420	Shaft Asm. Cross Hydro 500
30	532130807	Bracket, Transaxle	82	532123782	Spring Torsion T/A
31	532127275	Keeper Belt Lh	83	819171216	Washer 17/32 x 3/4 x 16 Ga.
32	874760512	Bolt Hex Hd 5/16-18 Unc x 3/4	84	532141423	Rod, Tie Hydro Sph Ball 500
34	532122424	Shaft, Foot Pedal	86	532071208	Bushing Rod Strig. 629/632 ID
35	532120183	Bearing, Nylon	87	819212016	Washer 21/32 x 1-1/4 x 16 Ga.
36	819211616	Washer	88	812000008	Ring Klip #5304-62
37	532124963	Pin, Roll	89	532139988	Console, Shift
38	532123674	Pulley, Idler, Flat	91	874780536	Bolt Fin Hex 5/16-18 x 2-1/4
39	874760644	Bolt	92	874780524	Bolt Fin Hex 5/6-18 Unc x 1-1/2
40	532124965	Spacer, Split	93	532142564	Line Fuel Hydro 4"
41	532109070	Keeper, Belt Retainer	94	532140462	Fan, Hydro 7"
42	819131312	Washer 13/32 x 13/16 x 12 Gauge	95	532144643	Control Asm. Bypass Hydro
44	532105706	Bearing, Nylon	96	532124788	Retainer Spring 1" Zinc/Cad
45	532110812	Washer, Hardened	97	532144201	Keeper Belt Rh Hydro 500
46	812000039	Ring, Klip	98	873510600	Nut Keps Hex 3/8-16 Unc
47	532127783	Pulley, Idler, V-Groove	100	819111216	Washer 11/32 x 3/4 x 16 Ga.
48	532123789	Bellcrank Assembly	103	532050831	Nut Nylon Insert 1/2-20 Unf.
49	532123205	Retainer, Belt	104	532141421	Arm, Control Pump
50	874760624	Bolt	105	871070516	Screw Cap Hex 5/16 x 18 x 1
51	873680600	Nut Crownlock 3/8-16	106	874780520	Bolt Fin Hex 5/16-18 Unc x 1-1/4
52	873680500	Nut Crownlock 5/16-18	108	817541026	Screw Hex Wh Hd #10-24 x 1-5/8
53	532105710	Link, Clutch	109	532145098	Adaptor Fan/Hydro Lt Hyd Alum
55	532105709	Spring, Return, Clutch			
56	874760620	Bolt Fin Hex 3/8-16 Unc x 1-1/4			
57	532141416	V-Belt, Ground Drive			
59	532140312	Keeper, Center Span			

**NOTE:** All component dimensions give in U.S. inches.  
1 inch = 25.4 mm.

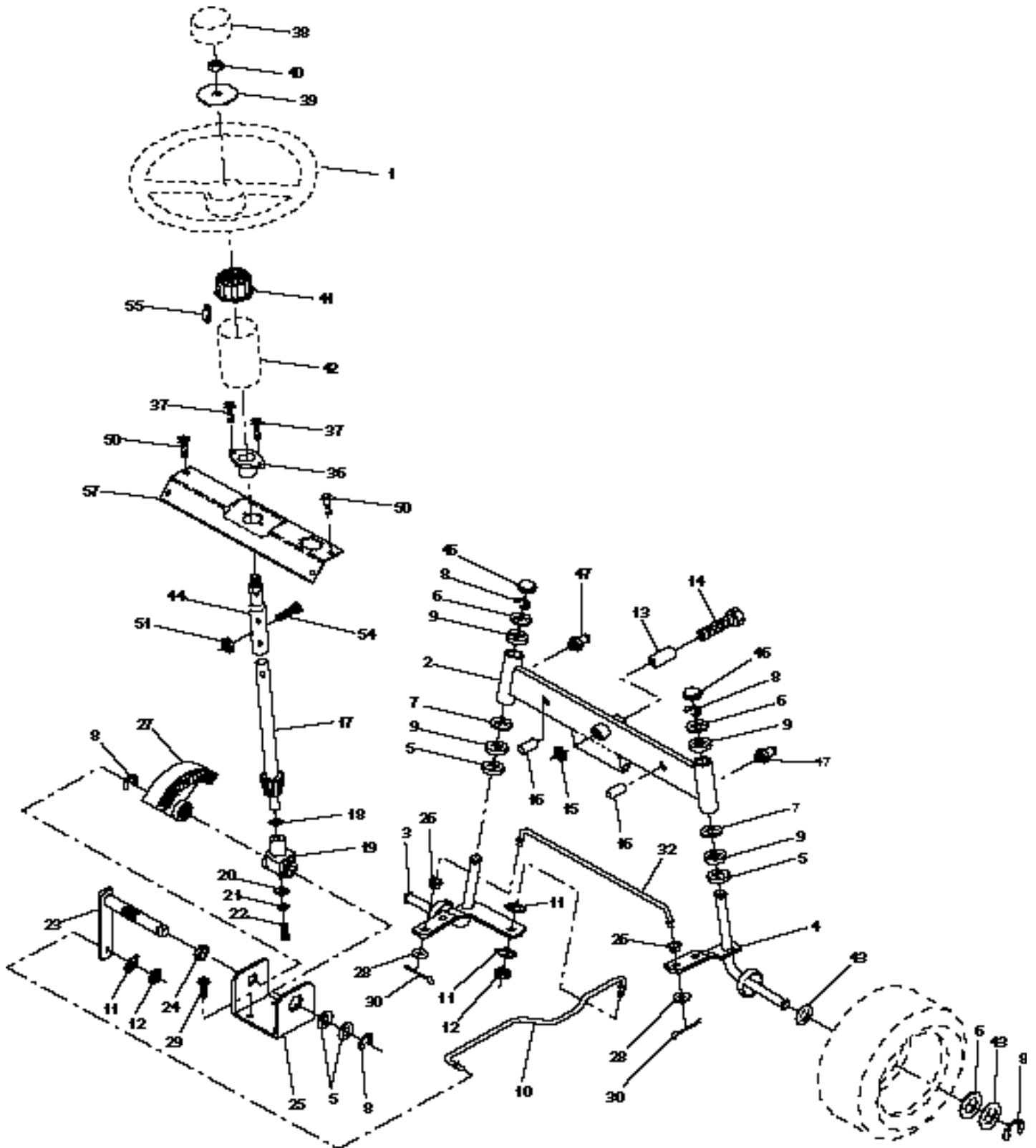


# REPAIR PARTS

TRACTOR- -MODEL NO. LTH125 (HC125H42C),

PRODUCT NO. 954 00 27-21

## STEERING AND FRONT AXLE



# REPAIR PARTS

TRACTOR- -MODEL NO. LTH125 (HC125H42C),

PRODUCT NO. 954 00 27-21

## STEERING AND FRONT AXLE

KEY NO.	PART NO.	DESCRIPTION	KEY NO.	PART NO.	DESCRIPTION
1	532121472	Wheel Steering Auto Black	26	532126847	Bushing Link Drag Blk LR
2	532142033	Axle Asm Fr LT W/gzks 38/42	27	532136874	Gear Sector 22 Teeth
3	532135227	Spindle Asm LH	28	819131416	Washer 13/32 X 7/8 X 16ga
4	532135228	Spindle Asm RH	29	817490612	Screw Thdrol 3/8-16x3/4 Ty-tt
5	532124931	Bearing Race Thrust Harden	30	876020412	Pin Cotter 1/8 X 3/4 Cad
6	532121748	Washer 25/32 X 1-5/8 X 16ga	32	532130465	Rod Tie Wire Form 19 75 Mech
7	819272016	Washer 27/32 X 1-1/4 X 16 Ga	36	532102803	Bushing Strg
8	812000029	Ring Klip #t5304-75	37	817431008	Screw Slftp #10-16 X 1/2 Ty-b
9	532124937	Bearing Col Strg Blk	38	532126805	Insert Cap Strg Wh Au Gen Blk
10	532130468	Link Drag Sol Ball Jt 20 064	39	819133808	Washer 13/32 X 2-3/8 X 8 Ga
11	810040600	Washer Lock Hvy Hlcl Spr 3/8	40	532124701	Nut Lock Center 3/8-24unf
12	873610600	Nut Fin Hex 3/8-24 Unf	41	532104820	Adaptor Wheel Strg 640/ 635id
13	532110438	Spacer Bearing Axle Front	42	532140216	Boot Shaft Steering
14	874011056	Bolt Hex 5/8-11 Unc X 3-1/2	43	532121749	Washer 25/32 X 1 1/4 X 16 Ga
15	873901000	Nut Lock Flange 5/8-11 Unc	44	532140171	Shaft Extension Steering
16	532132624	Pin Axle 5/8 X 1 55/1 54 Lg	45	812000029	Ring Klip #t5304-75
17	532140176	Shaft Asm Strg Private Label	46	532121232	Cap Spindle Fr Top Blk
18	532057079	Washer Thrust 515x 750x 033	47	532124836	Fitting Grease
19	532124035	Support Shaft	50	817490412	Screw Hex Wsh Thdrol 1/4-20 x 3/4
20	532126684	Washer Shim 1/4 X 5/8 X 062	51	873800500	Nut Lock Hex w/Insert 5/16-18
21	810040400	Washer Lock Hvy Helical 1/4	54	874780520	Bolt Fin Hex 5/16-18 unc x 1-1/4
22	871070410	Screw Hex Socket 1/4-20 X 5/8	55	532140285	Clip Tinnerman
23	532127501	Shaft Asm Pittman	57	532140172	Support Shaft Steering
24	532109816	Nyliner Snap In			
25	532124036	Bracket Steering			

**NOTE:** All component dimensions given in U.S. inches.

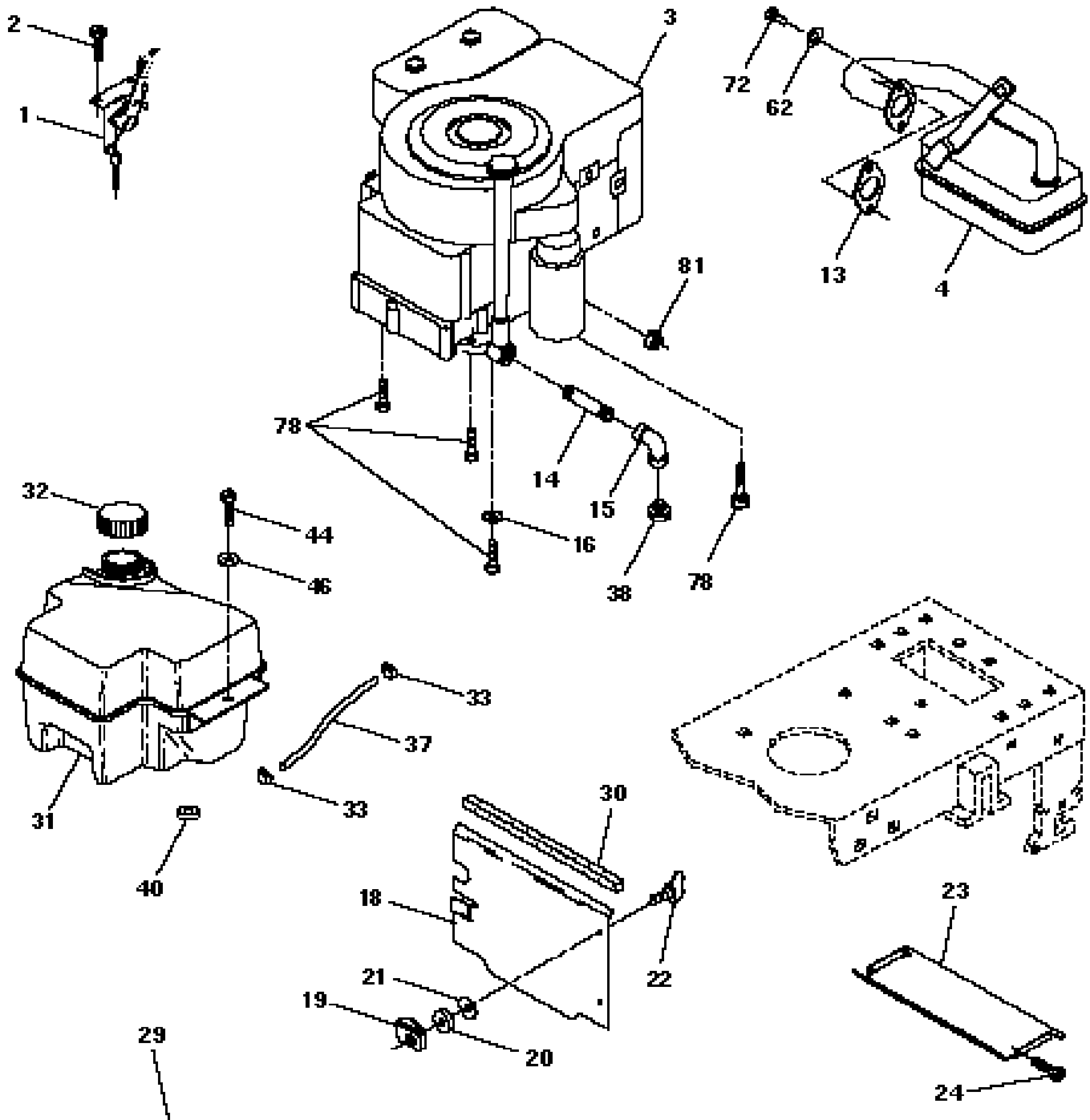
1 inch = 25.4 mm

# REPAIR PARTS

TRACTOR- -MODEL NO. LTH125 (HC125H42C),

PRODUCT NO. 954 00 27-21

## ENGINE



**OPTIONAL EQUIPMENT**  
Spark Arrester

# REPAIR PARTS

TRACTOR- -MODEL NO. LTH125 (HC125H42C),

PRODUCT NO. 954 00 27-21

## ENGINE

KEY NO.	PART NO.	DESCRIPTION	KEY NO.	PART NO.	DESCRIPTION
1	532140310	Control Th/ch RH Blk Tee Eec	30	532127057	Pinch Weld Hood Black 2.00
2	817720410	Screw Hex Thd Cut 1/4-20x5/8 T	31	532140280	Tank Fuel Front 2.00
3	-----	Engine B&S 12.5HP lcg Dual 1vt Model No 286707	32	532140527	Cap Asm Fuel W/sym Vented
4	532137348	Muffler LT B&s 12/12.5 HP	33	532123487	Clamp Hose Blk
13	532125593	Gasket Eng 1 313 Id Tin Plated	37	532137040	Line Fuel 9 20"
14	813280324	Nipple Pipe 3/8 Npt X 3"	38	-----	Plug Oil Drain (Order From Engine Manufacturer)
15	813200300	Elbow Std 90 Degree 3/8-18 Npt	40	532124028	Bushing Snap Nyl Blk Fuel Line
16	811050600	Washer Lock Ext Tooth 3/8	44	817490412	Screw Hexwsh Thdrol 1/4-20x3/4
18	532136718	Shield Heat LT	46	819091416	Washer 9/32 X 7/8 X 16ga
19	532105839	Receptacle 1/4 Turn dacrotized	62	810040500	Washer Lock Hvy Hlcl Spr 5/16
20	532105838	Retainer 1/4 Turn 365 OD x .222 ID	72	871070512	Screw Hexhd Cap 5/16-18x3/4
21	819091016	Washer 9/32 x 5/8 x 16 Ga	78	817490620	Screw Thdrol 3/8-16x1-1/4 TYTT
22	532123650	Stud 1/4 Turn (replaces 105751)	81	873510400	Nut Keps Hex 1/4-20 UNC
23	532128953	Shield Heat Browning LT/YT			
24	817021008	Screw Tap Hex #10-24unc X 1/2			
29	532137180	Kit Spark Arrestor 1 25			

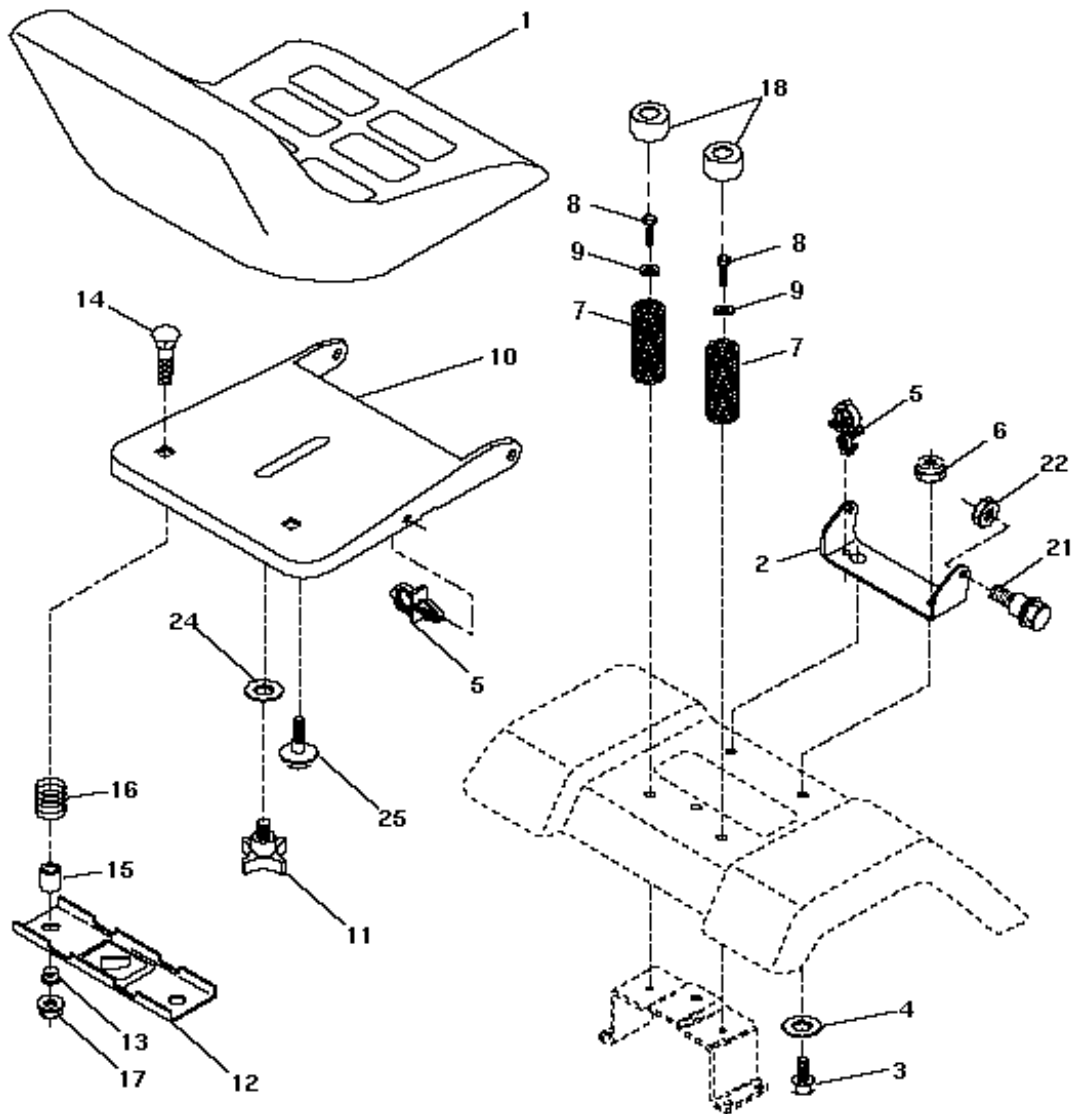
**NOTE:** All component dimensions given in U.S. inches. 1 inch = 25,4 mm.

# REPAIR PARTS

TRACTOR- -MODEL NO. LTH125 (HC125H42C),

PRODUCT NO. 954 00 27-21

## SEAT



KEY NO.	PART NO.	DESCRIPTION
1	532127427	Seat V350 Blk/blk Std
2	532140551	Bracket Pivot Seat 8 720
3	874760616	Bolt Fin Hex 3/8-16unc X 1
4	819131610	Washer 13/32 X 3/4 X 10 Ga
5	532145006	Clip Push-In Hinged
6	873800600	Nut Lock Hex w/Ins 3/8-16 Unc
7	532124181	Spring Seat Cprsn 2 250 Blk Zi
8	817490616	Screw Thdrol 3/8-16 X 1 Ty-tt
9	819131614	Washer 13/32 X 1 X 14 Ga
10	532140552	Pan Seat
11	532120068	Knob Seat 1/2-13unc Blk
12	532121246	Bracket Mounting Switch
13	532121248	Bushing Snap Blk Nyl 50 Id

KEY NO.	PART NO.	DESCRIPTION
14	872050411	Bolt Rdhd Sht Nk 1/4-20x1-3/8
15	532134300	Spacer Split 28x 96 Yel Zinc
16	532121250	Spring Cprsn 1 27 Blk Pnt
17	532123976	Nut Lock 1/4 Lge Flg Gr 5 Zinc
18	532124238	Cap Spring Seat Blk 1.75 x 1.0
21	532139888	Bolt Shoulder 5/16-18 Type T.T.T.R.
22	873800500	Nut Lock 5/16-18
24	819171912	Washer 17/32 X 1-3/16 X 12 Ga
25	532127018	Bolt Shoulder 5/16-18 X 62

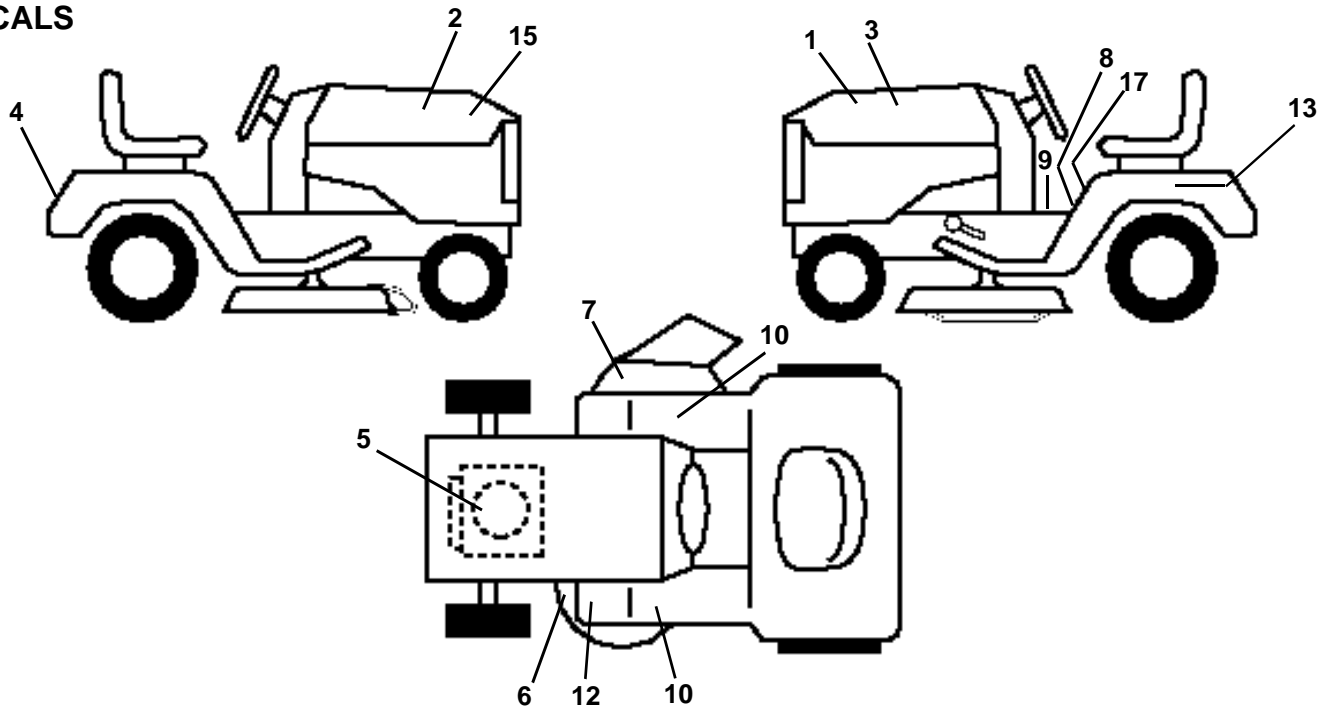
**NOTE:** All component dimensions given in U.S. inches.  
1 inch = 25.4 mm

# REPAIR PARTS

TRACTOR- -MODEL NO. LTH125 (HC125H42C),

PRODUCT NO. 954 00 27-21

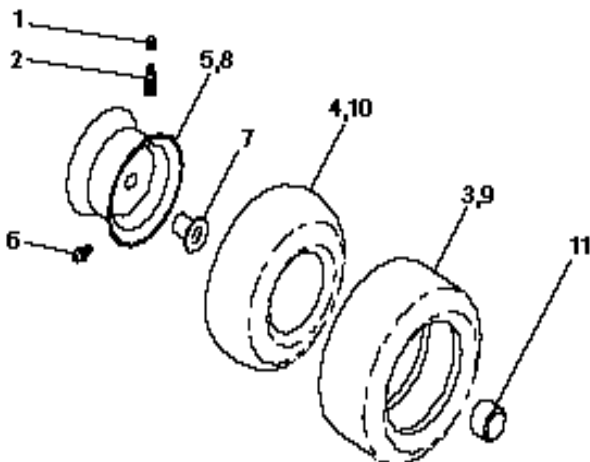
## DECALS



KEY NO.	PART NO.	DESCRIPTION	KEY NO.	PART NO.	DESCRIPTION
1	532143609	Decal Hood Husqvarna LH	15	532143741	Decal Panel Side RH Hydr.
2	532143608	Decal Hood Husqvarna RH	17	532133795	Decal Caution Fender Eng/Fr
3	532143742	Decal Panel Side LH	-	532138311	Decal Handle Lift Height Adjust
4	532131582	Decal Fender	-	532142341	Decal Drawbar Control
5	532129057	Decal Engine 12.5 HP B&S ICQ	-	532145999	Manual Owner's (English)
6	532136832	Decal, V-Belt Sch 38"/42" LT	-	532146000	Manual Owner's (French)
7	532137259	Decal Warning MULT-LANGUAGE			
8	532140820	Decal Dash Instructions Operating Eng/Fr			
9	532142337	Decal Sdl Cold Start Hydo Eng/Fr			
10	532133671	Pad Footrest Ribbed			
12	532101892	Decal Clutch/brake Eng/Fr/Ger/Du			
13	532121549	Decal Caution Battery Fr/Ger			

- Available accessories (not included with tractor)
- LA018 Tire Chains (18 x 9.5 x 8)
  - LSB42 42" Snow Thrower
  - LBD48 48" Snow Blade
  - LC05 33 lb. Wheel Wts. (pair)
  - MP42 Mulching Plate for 42"

## WHEELS AND TIRES



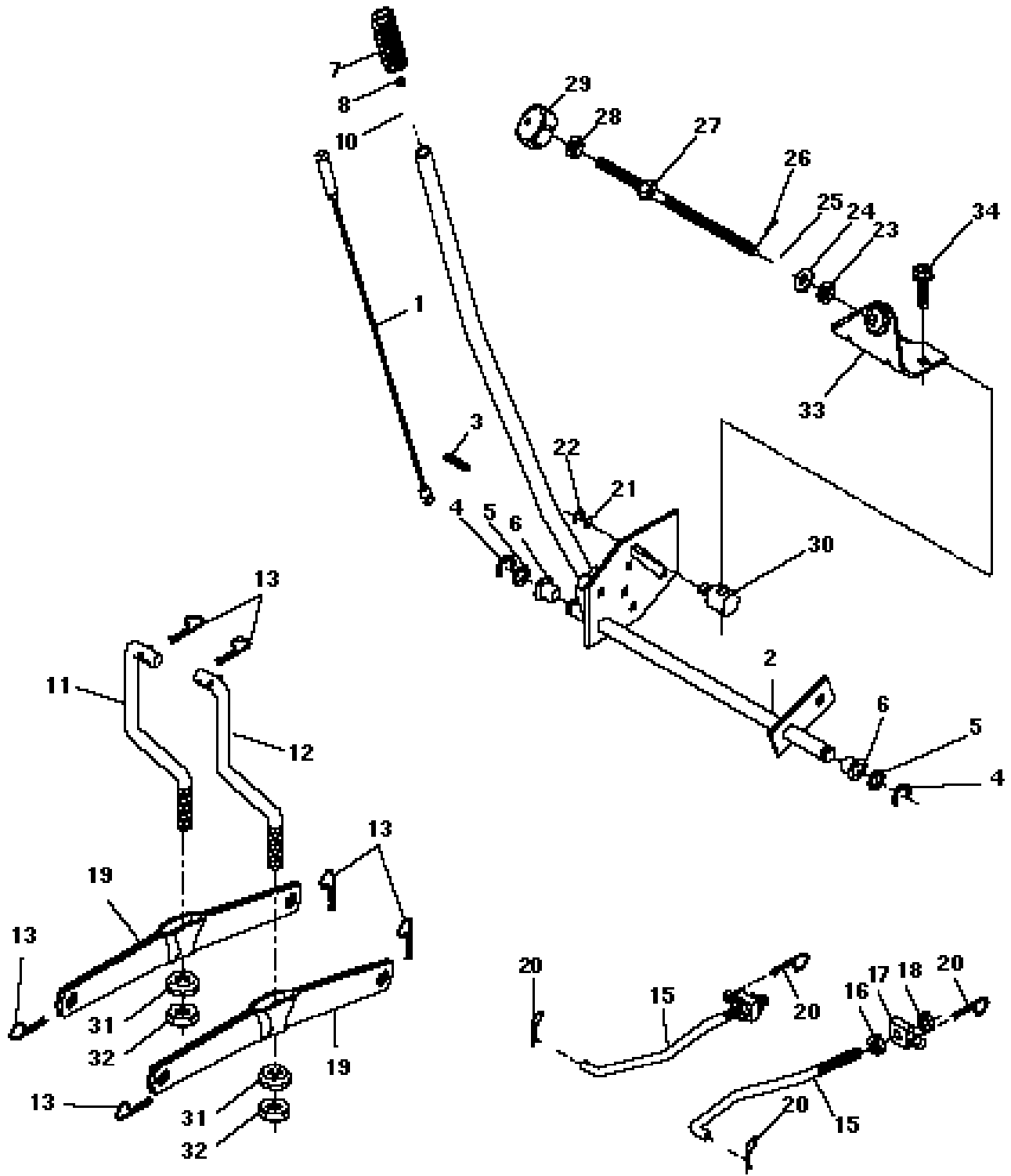
KEY NO.	PART NO.	DESCRIPTION
1	532059192	Cap Valve Tire
2	532065139	Stem Valve
3	532106222	Tire F Ts 15 X 6 0 - 6 Service
4	532059904	Tube Front (Service Item Only)
5	532141446	Rim Asm 6" front Service
6	532124957	Fitting Grease (Front Wheel Only)
7	532124959	Bearing Flange (Service Item Only)
8	532141447	Rim Asm 8" rear Service
9	532106268	Tire R Ts 18x9 5-8 C Service
10	532124926	Tube Rear (Service Item Only)
11	532104757	Cap Axle Blk 1 50 X 1 00

# REPAIR PARTS

TRACTOR- -MODEL NO. LTH125 (HC125H42C),

PRODUCT NO. 954 00 27-21

LIFT



# REPAIR PARTS

## TRACTOR- -MODEL NO. LTH125 (HC125H42C), PRODUCT NO. 954 00 27-21

### LIFT

KEY NO.	PART NO.	DESCRIPTION
1	532136973	Wire Asm Inner w/plunger
2	532140278	Shaft Asm Lift LH Inf Hgt P/L
3	532138284	Pin Groove
4	812000002	E Ring #5133-62
5	819211621	Washer PLTD 21/32 X 1 X 21ga
6	532120183	Bearing Nylon Blk 629 Id
7	532109413	Grip Handle Bicycle Matte Blk
8	532124526	Button Plunger Black
10	532122512	Spring Cprsn 3 750 Oiled
11	532139865	Link Lift LH
12	532139866	Link Lift RH
13	532124670	Retainer Spring
15	532127218	Link Front
16	873350800	Nut Jam Hex 1/2-13 Unc
17	532130171	Trunnion Blk Zinc
18	873800800	Nut Lock W/wsh 1/2-13unc
19	532139868	Arm Suspension Rear
20	532124660	Retainer Spring
21	819151216	Washer 15/32 X 3/4 X 16ga
22	812000037	Ring Klip
23	532110807	Nut Special
24	819131016	Washer 13/32 x 5/8 x 16 ga
25	532124874	Spring 2-1/8
26	876020308	Pin Cotter 3/32 x 1/2
27	532126971	Rod Adj Lift
28	873350600	Nut Hex Jam 3/8-16 Unc
29	532138057	Knob Inf 3/8-16 UNC
30	532110810	Trunnion Dp Stop
31	532140302	Bearing Pivot Lift Spherical
32	873540600	Nut Crownlock 3/8-24
33	532140168	Bracket Stop Inf Hgt
34	817490608	Screw Thdrol 3/8-16 x 1/2

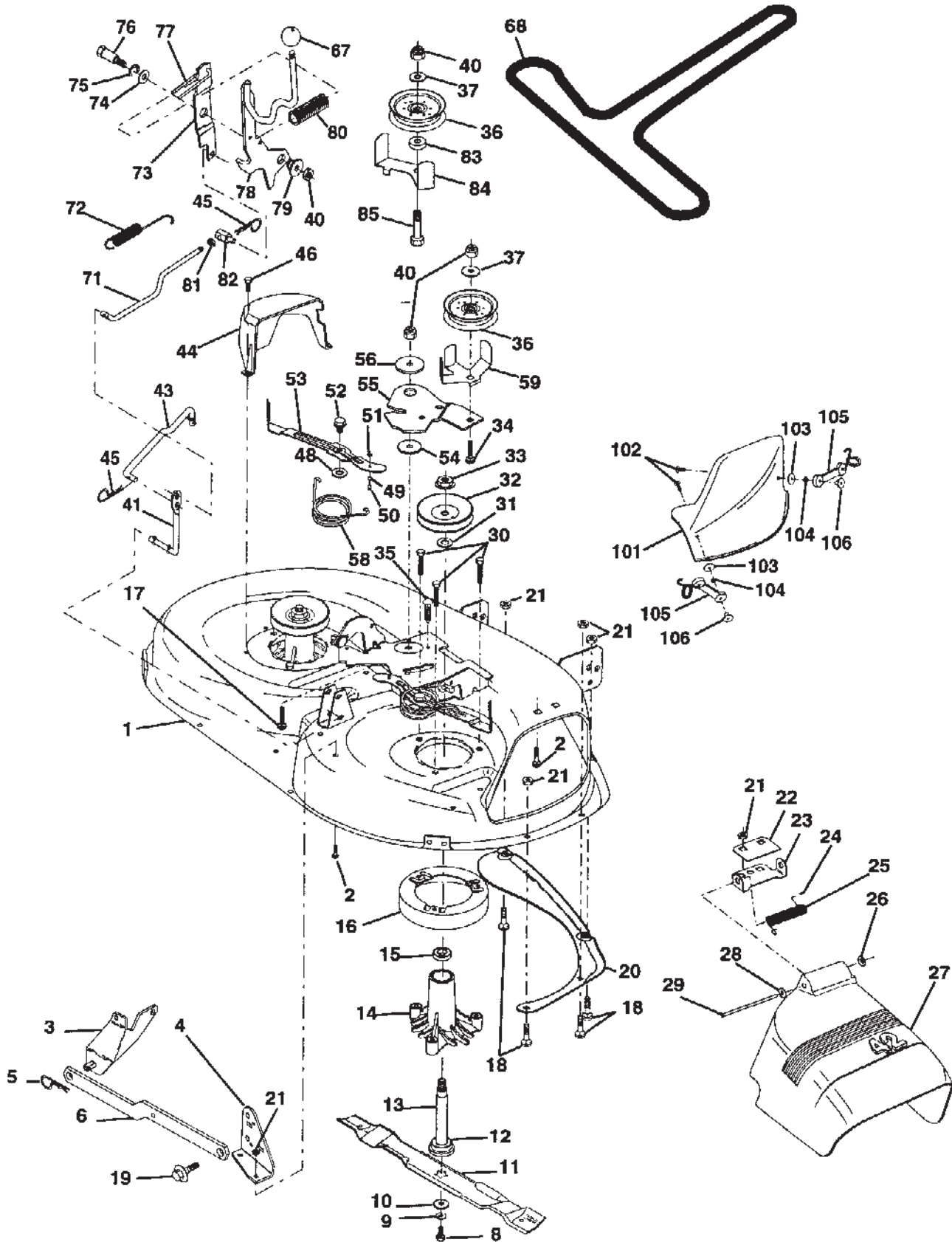
**NOTE:** All component dimensions given in U.S. inches  
1 inch = 25.4 mm



# REPAIR PARTS

TRACTOR- -MODEL NO. LTH125 (HC125H42C),  
PRODUCT NO. 954 00 27-21

## 42" MOWER DECK



# REPAIR PARTS

TRACTOR- -MODEL NO. LTH125 (HC125H42C),

PRODUCT NO. 954 00 27-21

## 42" MOWER DECK

KEY NO.	PART NO.	DESCRIPTION	KEY NO.	PART NO.	DESCRIPTION
1	532144393	Deck Asm Mower 42"	48	532133944	Washer Hardened Smaller
2	872140506	Bolt Rdhd Sqnk 5/16-18unc X3/4	49	532133940	Roller Asm Cam Follower 42" dec
3	532138017	Bracket Asm Fr Sway Bar	50	532131340	Bolt Shldr 10-24 Zinc Gr 5 42"
4	532138440	Bracket Asm Deck Sway Bar 42"	51	532069180	Nut Lock #10-24 Unc
5	532124670	Retainer Spring	52	532139888	Bolt Shoulder 5/16-18
6	532130832	Arm Suspension Rear	53	532131845	Arm Asm Pad Brake
8	532850857	Bolt 3/8-24x1 25 Gr8 Patched	54	532133943	Washer Hardened
9	810030600	Washer Lock Hvy 3/8 Unplated	55	532140084	Arm Idler 42" mower LT/YT
10	532140296	Washer Hard Blade Mower Vented	56	532122052	Spacer Retainer Pm Mower
11	532134149	Blade	58	532140086	Spring Torsion Brakes
12	532129895	Bearing Ball #6204 (Mandrel)	59	532141043	Guard Tuv Idler
13	532137645	Shaft Asm W/lower Bearing	67	532106933	Knob Rd 1/2-13 Plstc Thds Blk
14	532128774	Housing Mandrel Vented(machd)	68	532144200	V-Belt Mower
15	532110485	Bearing Ball Mandrel	71	532142427	Rod Clutch Primary 38/42
16	532140329	Stripper Mower Vented	72	532131870	Spring Return
17	872110610	Bolt Rdhd Sqnk 3/8-16 X 1-1/4	73	532127847	Arm Clutch Secondary
18	872140505	Bolt Rdhd Sqnk 5/16-18 X 5/8	74	532121748	Washer 25/32 X 1-5/8 X 16 Ga
19	532132827	Bolt Shoulder 5/16 - 18	75	812000029	Ring Klip #t5304-75
20	532136888	Baffle Vortex 42	76	532128903	Bolt Shoulder 3/8-16 Unc 1 44
21	873680500	Nut Crownlock 5/16-18	77	532127845	Keeper Spring 4 000
22	532134753	Stiffener Bracket 42" deck	78	532140179	Arm Asm Clutch Primary
23	532131267	Bracket Deflector Mower 42"	79	532127498	Bushing 747 Od X 794 Lg Brass
24	532105304	Cap Sleeve 80x 112 Blk Mower	80	532128759	Spring Clutch Mower 2 750 Zinc
25	532123713	Spring Torsion Deflector 2 52	81	873350600	Nut Hex Jam 3/8-16 unc
26	532110452	Nut Push Phos & Oil	82	532142028	Trunion Adj.
27	532130968	Shield Deflector Mower 42" Blk"	83	532120958	Washer Sintered
28	819111016	Washer 11/32 X 5/8 X 16 Ga	84	532144394	Keeper Belt Idler Fixed
29	532131491	Rod Hinge 42" 6 75 Wlg	85	872140620	Bolt Carriage 3/8-16 x 2-1/2 Gr.5
30	532138776	Screw Thdrol Hex Head	101	532136420	Cover Mulching 42" Black
31	532129963	Washer Spacer Mower Vented	102	871161010	Screw
32	532129861	Pulley Mandrel 42"	103	810071000	Washer Lock #10
33	532137266	Nut Flg Top Lock Cntr B 9/16	104	819061216	Washer #10
34	872110614	Bolt Rdhd 3/8-16uncx1-3/4 Gr5	105	532130758	Latch Asm Bagger
35	532133835	Fastner Christmas Tree	106	532125004	Nut Weld .327/.304 #10-24
36	532131494	Pulley Idler Flat 3 060	--	532130794	Mandrel Asm Service (Includes Key Nos. 8-10, 12-15, 31 and 33)
37	819131316	Washer 13/32 X 13/16 X 16 Ga	--	532145411	Deck Serv 42" mech (Std. Deck - Order Mulcher Plate Components separately- Key Nos. 101-106)
40	873680600	Nut Crownlock 3/8-16			
41	532133551	Rod Pivot W/nibs			
43	532140083	Rod Clutch Secondary W/nibs			
44	532140088	Guard Mandrel LH Black			
45	532124788	Spring Retainer 1" Zinc/cad			
46	532137729	Screw Hex Thd Cut 1/4-20x5/8 T			

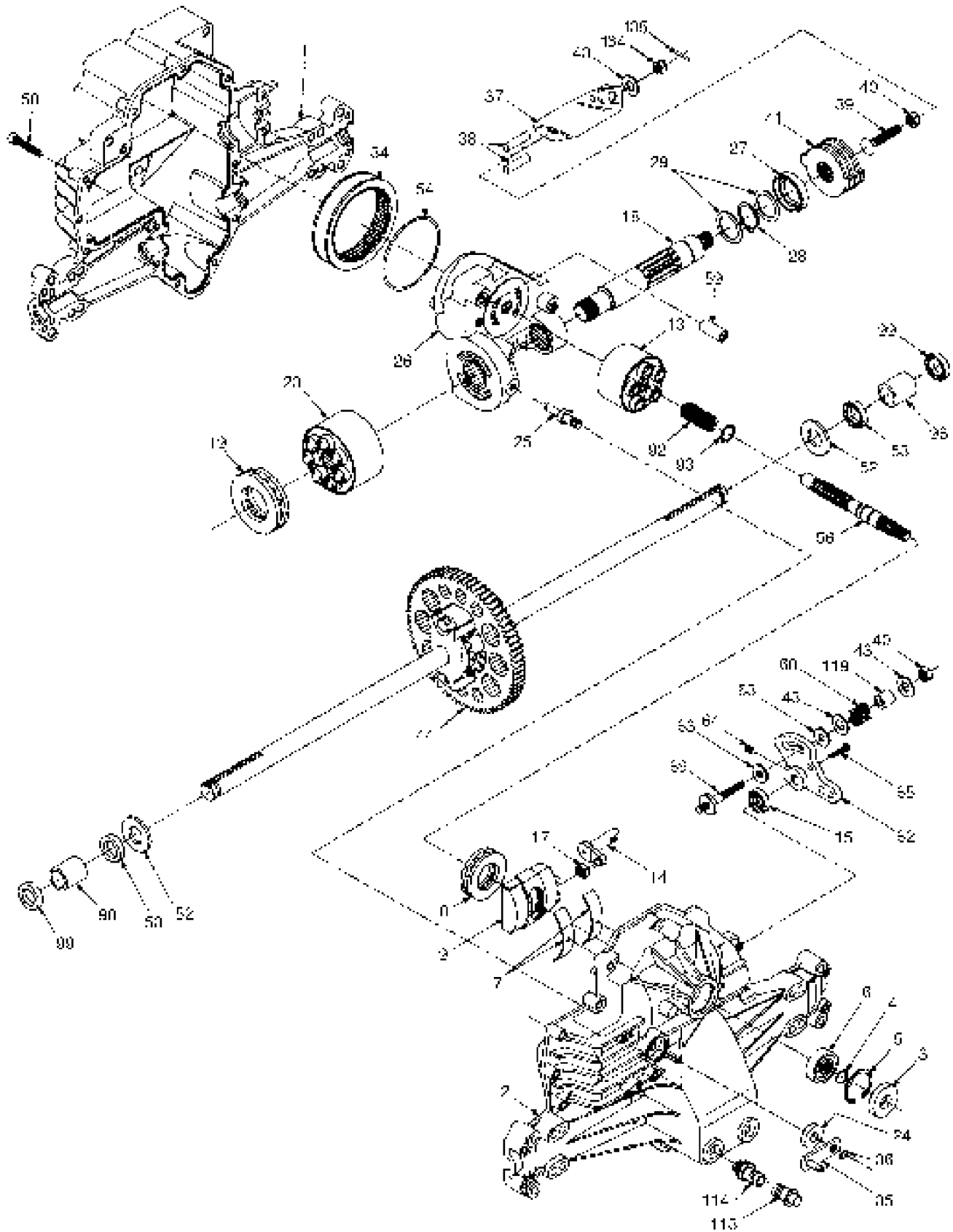
**NOTE:** All component dimensions given in U.S. inches  
1 inch = 25.4 mm

# REPAIR PARTS

TRACTOR- -MODEL NO. LTH125 (HC125H42C),

PRODUCT NO. 954 00 27-21

HYDRO-GEAR TRANSAXLE - MODEL NO. 310-0500



# REPAIR PARTS

TRACTOR- -MODEL NO. LTH125 (HC125H42C),

PRODUCT NO. 954 00 27-21

HYDRO-GEAR TRANSAXLE - MODEL NO. 310-0500

KEY PART NO. NO.	DESCRIPTION	KEY PART NO. NO.	DESCRIPTION
1 532142986	Housing, Lower	40 532142957	Locknut, Hex 5/16-24 UNJC
2 532142987	Assembly, Upper Housing	41 532142958	Brake Rotor/Stator Kit
3 532142932	Seal, Lip	43 532142884	Washer 7/16 x 7/8 x .060
4 532142928	Ring, Wire Retaining	44 532142990	Differential Assembly
5 532142933	Ring, Retaining	52 532142991	Washer 3/4 x 1.5 x .13
6 532142934	Bearing, Shaft Ball	53 532142961	Seal .75 x 1.25 x .250
7 532142935	Bearing, Cradle	54 532142962	O-Ring .103 x 2.987 ID
8 532142936	Bearing, Thrust 30 x 52 x 13	56 532142963	Shaft, Input
9 532142937	Swashplate, Variable	58 532142964	Bolt 1/4-20 x 1.38
13 532142938	Block, Cylinder Assembly	59 532142965	Pin .5 OD x .43 ID x .750
14 532142939	Arm, Trunnion	62 532142966	Arm, Control
15 532142940	Seal, Lip	63 532142967	Puck, Dampener
17 532142941	Guide, Slot	64 532142920	Set Screw
18 532142988	Shaft, Motor	65 532142968	Bolt #8-32 x .875
19 532142943	Bearing, Thrust 42 x 68 x 16	68 532142969	Spring
23 532142944	Block, Cylinder Assembly	69 532144610	Stud 5/16-24
24 532142945	Seal, Lip 10 x 25 x 7	92 532142977	Spring, Block
25 532142946	Actuator, Bypass	93 532142978	Washer, Block Thrust
26 532142947	Center Section Assembly Kit	98 532142993	Sleeve Bearing
27 532142948	Seal, Lip 26 x 42 x 8	99 532142976	Seal, Wiper
28 532142949	Ring, Retaining	113 532142917	Cap, Vent Assembly
29 532142950	Washer 26 x 35 x 1	114 532142918	Fitting, O-Ring Assembly
34 532142951	Oil Filter Element	119 532142980	Spacer
35 532142952	Arm, Bypass	134 532144607	Nut, Castle 5/16-24
36 532142953	Ring, Retaining	135 532144608	Pin, Cotter
37 532142954	Arm, Actuating		
38 532142955	Pin, Actuating		
39 532142956	Bolt 5/16-24 x 1-3/4		

**NOTE:** All component dimensions given in U.S. inches  
1 inch = 25.4 mm