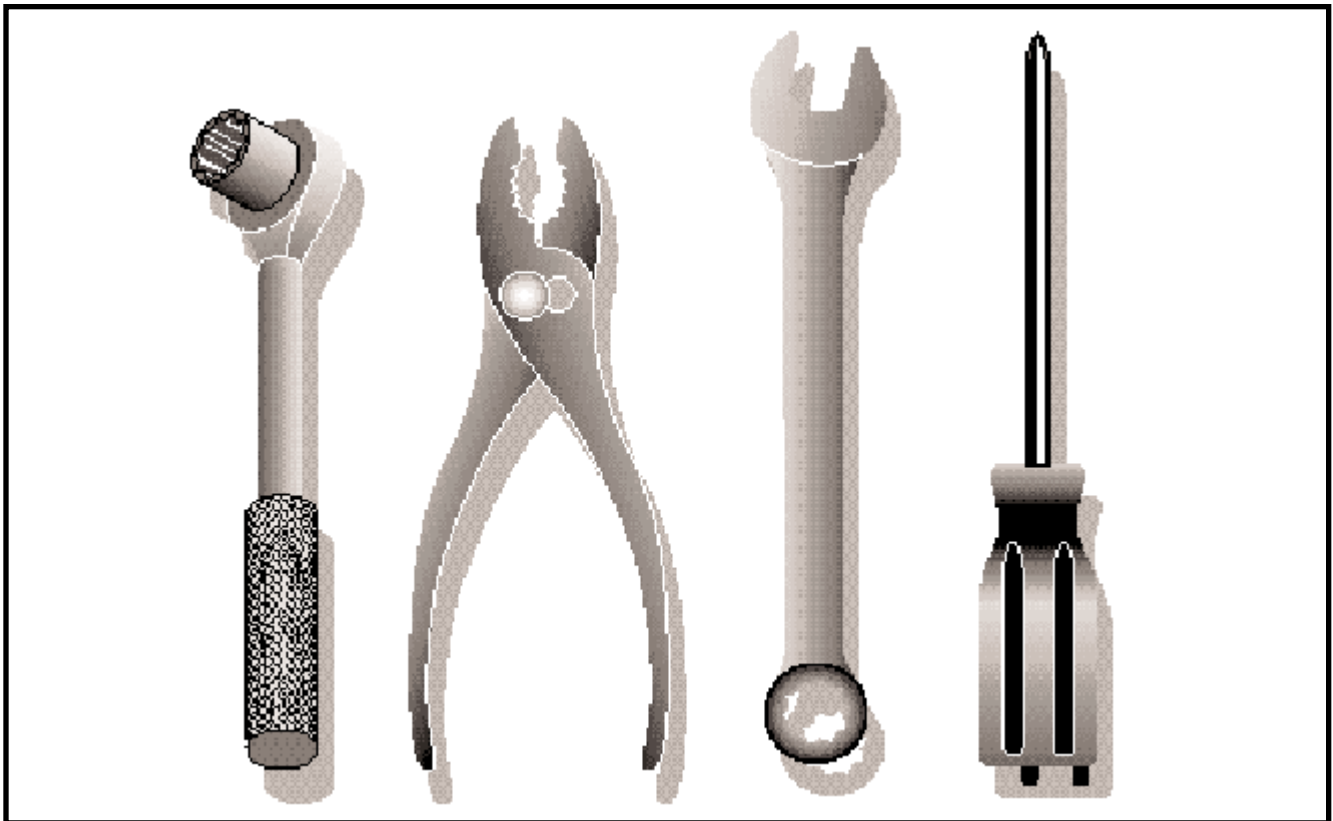


GTH 220

954830167B

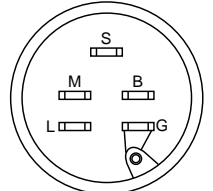
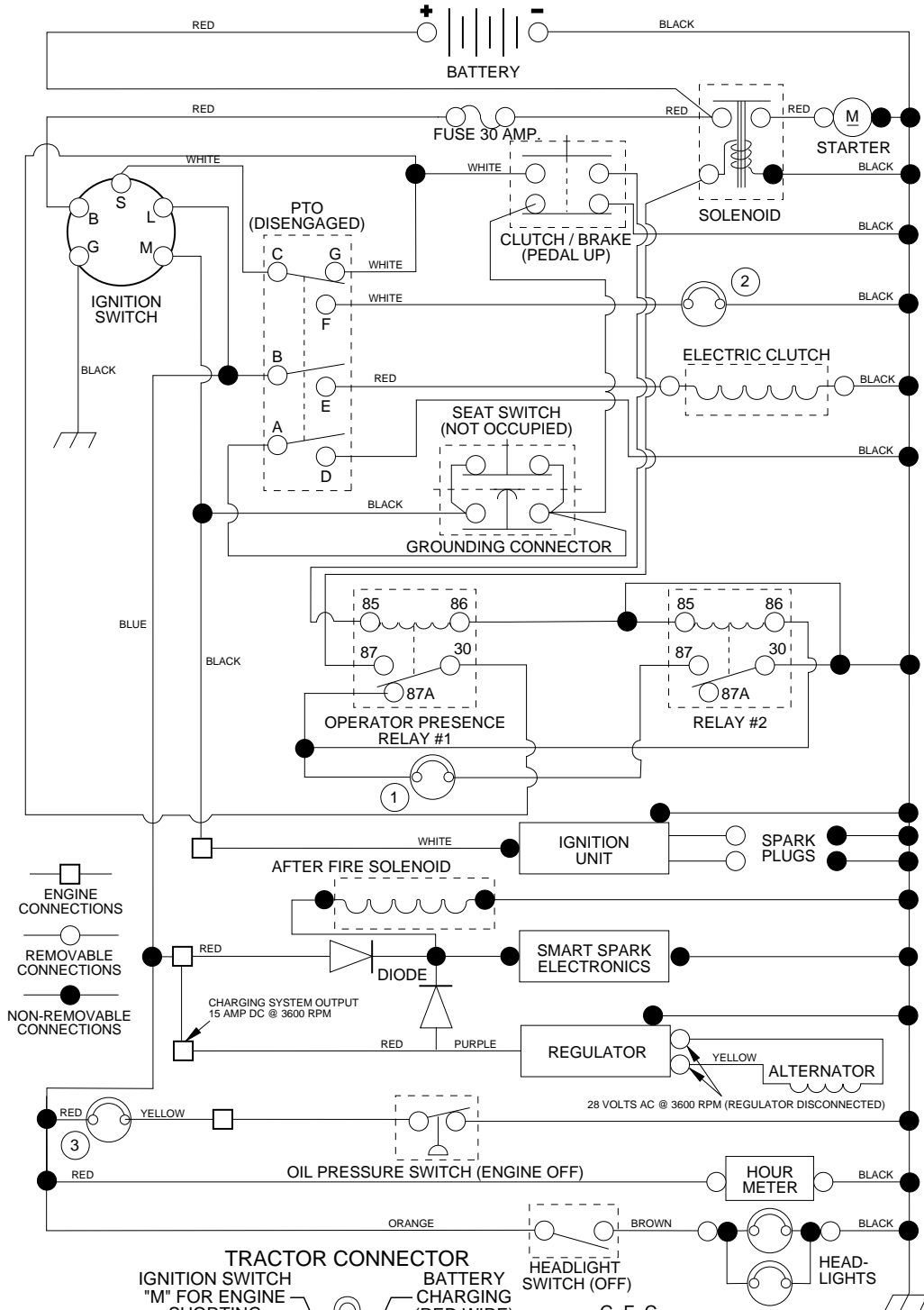


Repair Parts Manual

Ride Mower

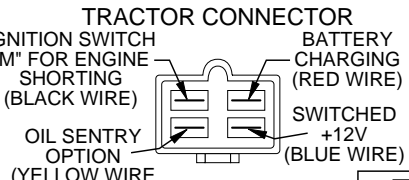
TRACTOR - MODEL NO. GTH220 (954830167B)

SCHEMATIC

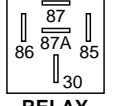


IGNITION SWITCH

POSITION	CIRCUIT
OFF	M + G
ON	B + L
START	B + S + L



WIRING INSULATED CLIPS
NOTE: IF WIRING INSULATED CLIPS WERE REMOVED FOR SERVICING OF UNIT, THEY SHOULD BE REPLACED TO PROPERLY SECURE YOUR WIRING.

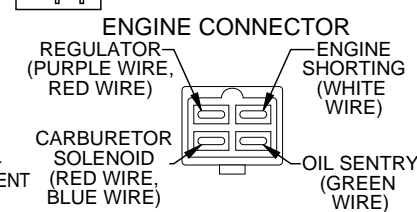


RELAY

- INDICATOR LIGHTS**
- DEPRESS FOOT PEDAL
 - DISENGAGE ATTACHMENT
 - CHECK OIL

PTO SWITCH

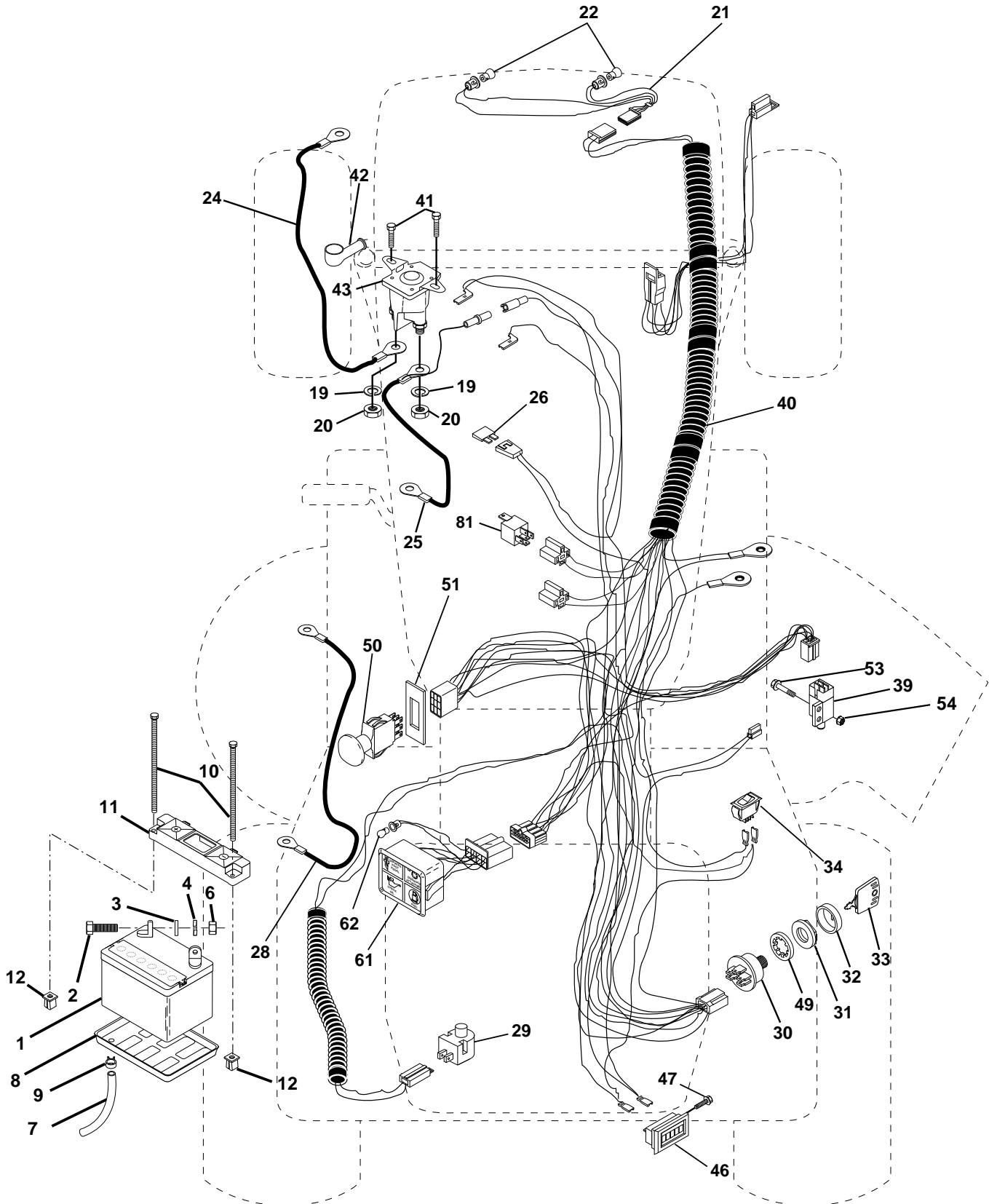
POSITION	CIRCUIT
OFF	C + G
ON	C + F, B + E, A + D



REPAIR PARTS

TRACTOR - MODEL NO. GTH220 (954830167B)

ELECTRICAL



REPAIR PARTS

TRACTOR - MODEL NO. GTH220 (954830167B)

ELECTRICAL

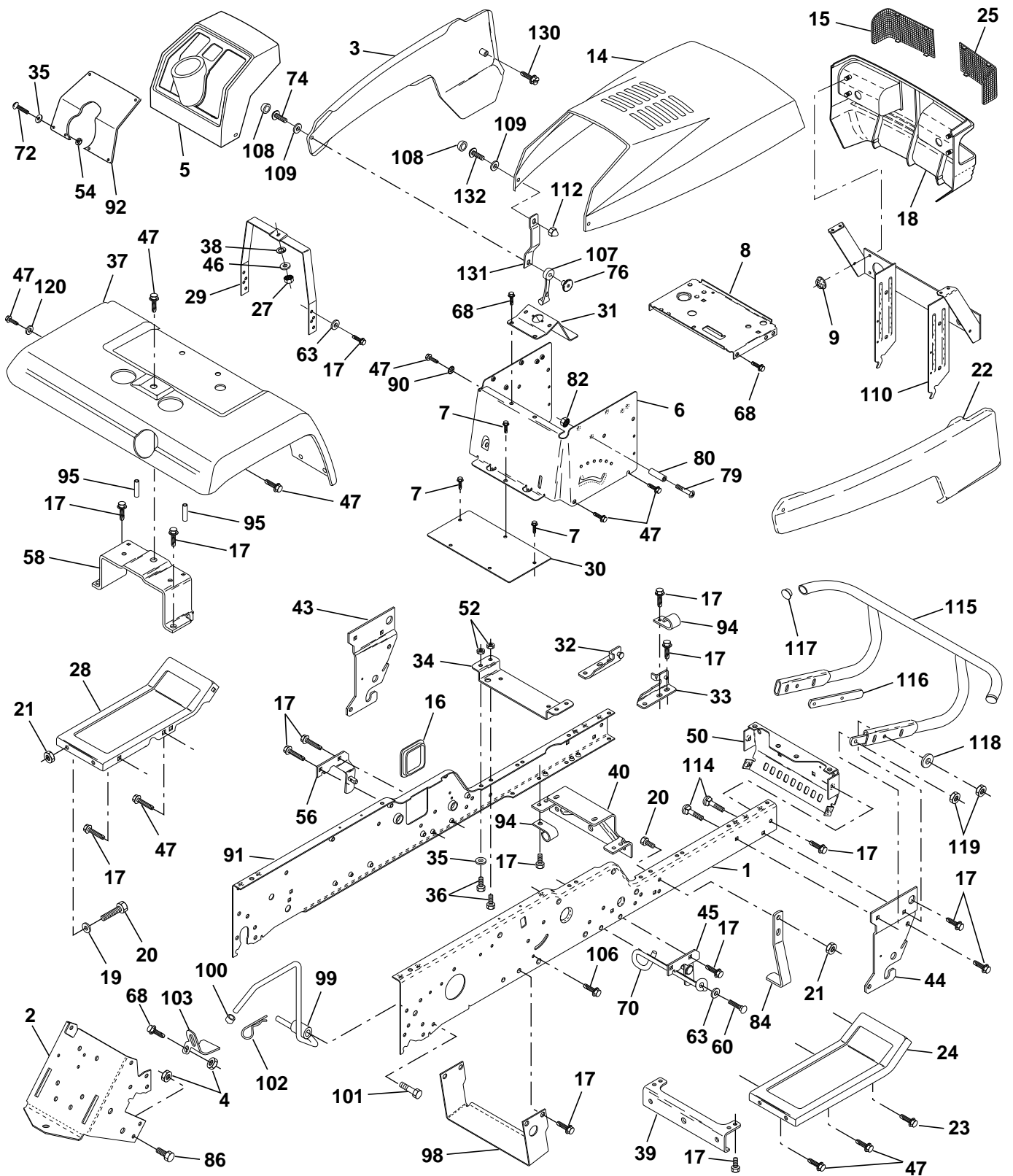
KEY NO.	PART NO.	DESCRIPTION
1	532146141	Battery
2	874760412	Bolt Hex Head 1/4-20 x 3/4
3	810040400	Washer, Lock 1/4
4	819091016	Washer 9/32 x 5/8 x 16 Ga
6	873220400	Nut Fin Hex 1/4-20
7	532007697	Tube Plastic
8	532124886	Tray, Battery
9	532109596	Clamp, Hose
10	532145211	Bolt, Btr Frt 1/4-20 x 7-1/2 Zinc
11	532145209	Holddown Battery Dash Mount
12	532145769	Nut Push Nylon 1/4" Battery Frt.
19	810090400	Washer, Lock 1/4
20	873350400	Nut, Jam Hex 1/4-20
21	532136850	Harness Socket Light w/4152J
22	532004152	Bulb Light
24	532004014	Cable, Starter
25	532146686	Cable, Battery
26	532108824	Fuse
28	532006408	Cable, Ground
29	532121305	Switch, Plunger
30	532144921	Switch, Ign
31	532140400	Nut, Ignition Switch
32	532141226	Cover Switch Key
33	532140401	Key
34	532110712	Switch, Light
39	532109553	Intlk Switch
40	532151873	Harness Ign.
41	817720408	Screw 1/4-20 x 1/2
42	532131563	Cover, Terminal Red
43	532145673	Solenoid
46	532110940	Meter Hour
47	817011008	Screw #10-24 x 1/2
49	532153249	Washer, Pinned Delta
50	532154959	Switch, PTO
51	532140405	Ring Retainer PTO
53	871031008	Screw Hex Washer Hd #10-32 x 1
54	873951000	Nut Keps #10-32
61	532138101	Light Pkg Asm
62	532110143	Bulb, Light Pkg.
81	532109748	Relay Asm.

NOTE: All component dimensions given in U.S. inches
1 inch = 25.4 mm

REPAIR PARTS

TRACTOR - MODEL NO. GTH220 (954830167B)

CHASSIS AND ENCLOSURES



REPAIR PARTS

TRACTOR - MODEL NO. GTH220 (954830167B)

CHASSIS AND ENCLOSURES

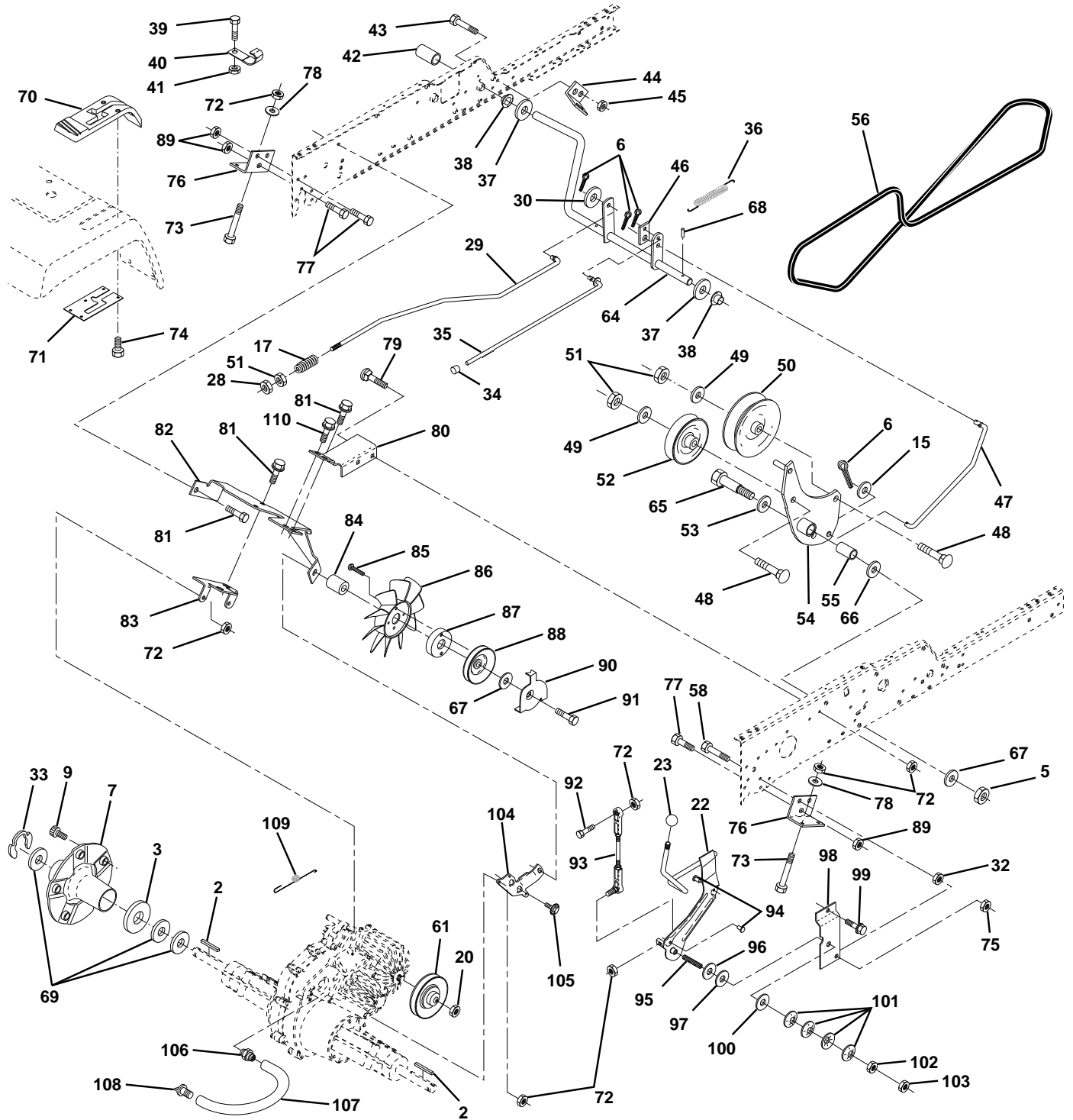
KEY NO.	PART NO.	DESCRIPTION	KEY NO.	PART NO.	DESCRIPTION
1	532150253	Rail, Frame RH	56	532154914	Bracket Asm., Susp Chassis Lh
2	532140506	Drawbar, Gt	58	532137113	Bracket Asm., Fender
3	532150478	Panel Asm., Side LH	60	817490620	Screw Thdrol 3/8-16 x 1-1/4
4	873800700	Nut, Lock Hex 7/16 Unc	63	819131614	Washer 13/32 x 1 x 14 Ga.
5	532140452	Dash, Plastic Black	68	817490508	Screw, Thdrol 5/16-18 x 1/2
6	532150273	Dash 1-PCS, Lower	70	532137159	Guide, Belt Mid Span
7	817720408	Screw, Thd Cut 1/4-20 x 1/2	72	874180512	Screw, Mach Trhd 5/16-18 x 3/4
8	532145166	Support, Battery	74	874191008	Screw, Machine #10-24
9	532108067	Nut Pal	76	532125004	Nut, Weld #10-24
14	532150477	Hood Asm., Pnt	79	874981020	Screw, Machine #10-24 x 1/4
15	532124250	Lens, Headlight LH	80	532007206	Spacer, Split
16	532121794	Cover, Access	82	873731000	Nut #10-24
17	817490612	Screw, Thdrol 3/8-16 x 3/4	84	532142992	Stop, Over Center 44" 20/23" T. 94
18	532127320	Grille	86	874760716	Bolt, Fin Hex 7/16-14 Unc x 1
19	819131312	Washer 13/32 x 13/16 x 12 Ga.	90	811050600	Washer, Lock External Tooth 3/8
20	874760616	Bolt, Fin Hex 3/8-16 x 1	91	532150851	Rail, Frame Lh
21	873680600	Nut, Crownlock 3/8-16 Unc	92	532141626	Plate, Silkscreen Dash
22	532150479	Panel Asm., Side RH	94	532100207	Clip, Fuel Line
23	817490616	Screw Thdrol. 3/8-16 x 1 Ty-TT	95	532105531	Push Nut, Nylon
24	532147202	Footrest, RH	98	532140503	Bracket Chassis Skid
25	532124251	Lens Headlight RH	99	532140871	Rod Asm. Bypass
27	873220400	Nut Fin Hex 1/4-20	100	532124236	Cap Brake Parking Red
28	532147203	Footrest, LH	101	817490628	Screw Thdrol. 3/8-16 x 1-3/4
29	532145205	Bracket, Support Dash	102	532124788	Retainer Spring 1"
30	532145052	Saddle	103	532142273	Bracket Lock Bypass
31	532145183	Brace, Support Steering	106	532138776	Screw Thdrol. Hex Hd Zinc Mur
32	532141315	Bracket Asm., Frame Pivot Lh	107	532109808	Latch, Chute Blk
33	532141314	Bracket Asm., Frame Pivot Rh	108	532110356	Cap, Snap Black
34	532142131	Bracket, Engine Support Rear	109	532110357	Cap, Washer Snap
35	819111116	Washer 11/32 x 11/16 x 16 Ga.	110	532150200	Pivot Asm. Grille/Hood Husq. VGT
36	874780512	Bolt, Fin Hex 5/16-18 x 3/4	112	532060867	Nut, Acorn, Hex #10-24
37	532141449	Fender, Pnt.	114	872140610	Bolt, Carriage 3/8-16 x 1-1/4
38	810040400	Washer, Lock 1/4	115	532150300	Bumper Asm.
39	532136961	Bracket, Axle Front	116	532141461	Bracket Extension Bumper
40	532142132	Bracket, Support Axle/Engine	117	532143679	Plug Plastic
43	532136939	Bracket, Spnsn Front Lh	118	819131316	Washer 13/32 x 13/16 x 16 Ga.
44	532136940	Bracket, Spnsn Front Rh	119	873680600	Nut Crownlock 3/8-16 UNC
45	532154913	Bracket Asm., Susp Chassis Rh	120	819131616	Washer 13/32 x 1 x 16 Ga.
46	819091216	Washer 9/32 x 3/4 x 16 Ga.	130	817521312	Screw, SLTD Hex Hd. W/PI Washer
47	817490608	Screw Thdrol 3/8-16 x 1/2	131	532150195	Bracket Support Hood/Panel YP
50	532152728	Bracket, Chassis Front	132	874291006	Screw Truss Hd. #10-24 x 3/8
52	873800500	Locknut, Hex W/Ins 5/16-18 Unc	--	532125085	Plug, Hole
54	873510500	Nut 5/16-18			

NOTE: All component dimensions given in U.S. inches
1 inch = 25.4 mm

REPAIR PARTS

TRACTOR - MODEL NO. GTH220 (954830167B)

GROUND DRIVE



REPAIR PARTS

TRACTOR - MODEL NO. GTH220 (954830167B)

GROUND DRIVE

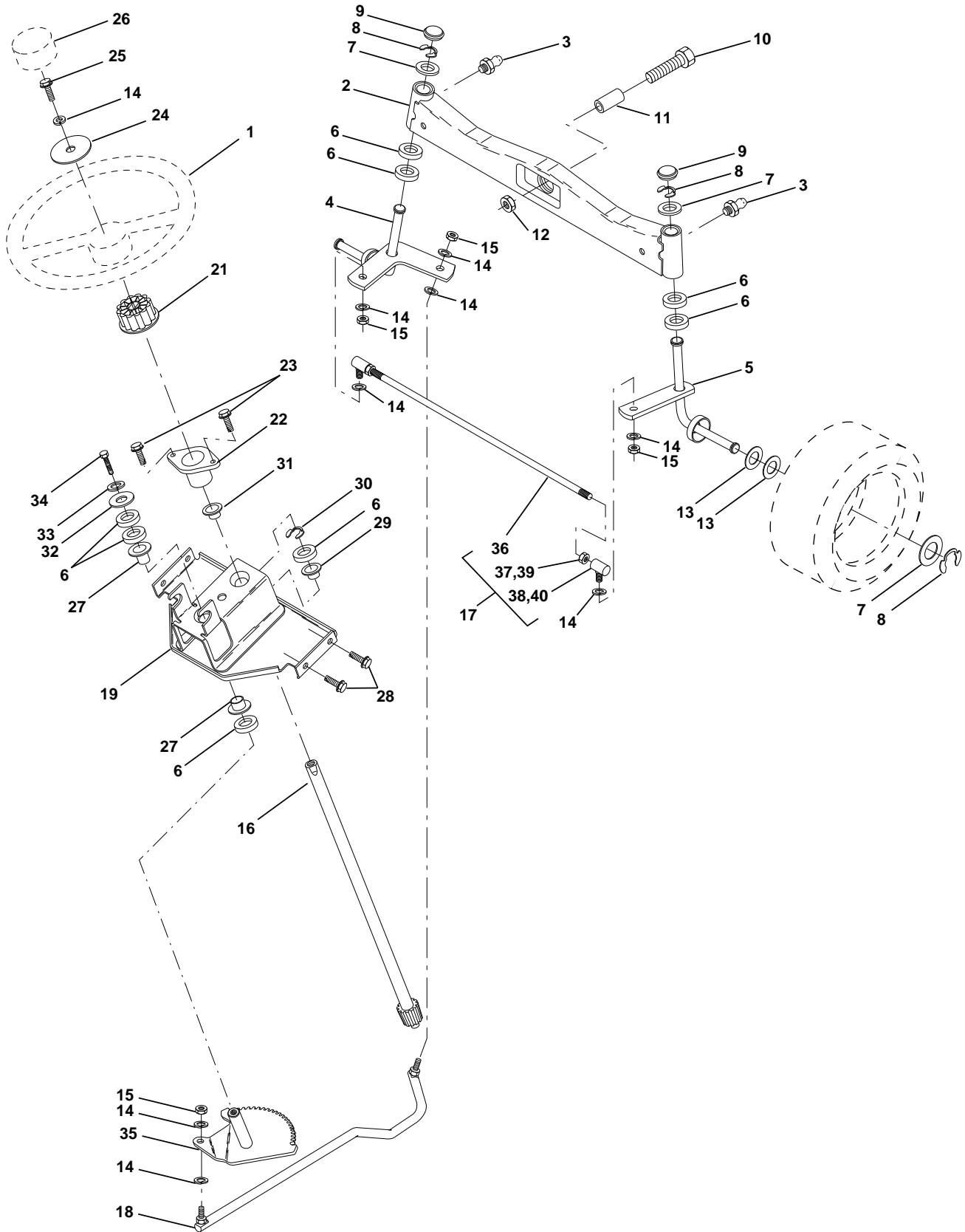
KEY NO.	PART NO.	DESCRIPTION	KEY NO.	PART NO.	DESCRIPTION
2	532007070	Key 1/4 x 2.5	69	532123800	Washer
3	532007563	Washer Thrust Axle Harden	70	532151146	Console Hydro Fender
5	873680600	Nut Crownlock 3/8-16	71	532151179	Plate Console Shift
6	876020412	Pin Cotter 1/8 x 3/4	72	873800500	Locknut Hex W/Washer Insert
7	532140507	Wheel Hub Asm.	73	874780548	Bolt Fin Hex 5/16-18 x 3
9	532140080	Bolt Hub	74	532142432	Screw, Hex Wsh Hi-Lo 1/4-1/2
15	819131316	Washer 13/32 x 13/16 x 16 Ga.	75	873800700	Nut Lock Hex 7/16
17	532140921	Spring Rod Brake	76	532140481	Bracket Transaxle
20	873940800	Nut Hex Jam Toplock 1/2-20	77	874760716	Bolt Fin Hex 7/16-14 x 1
22	532140498	Shaft Arm Asm	78	819111212	Washer 11/32 x 3/4 x 12 Ga.
23	532140845	Knob	79	872110505	Bolt Carriage 5/16-18 x 5/8
28	873350600	Nut, Hex Jam 3/8-16	80	532140484	Bracket Torque RH
29	532140494	Brake Rod	81	817490612	Screw Thdrol 3/8-16 x 3/4
30	819131616	Washer 13/32 x 1 x 16Ga	82	532150586	Bracket Mount Torque/Fan
32	873220700	Nut Hex 7/16-14	83	532140479	Strap Torque Mid
33	812000053	Ring E	84	532140490	Spacer
34	532071673	Cap Plunger	85	817541020	Screw #10-24 x 1-1/4
35	532137648	Rod Parking Brake	86	532140462	Fan 7" Hydro
36	532149412	Spring Drive Ground	87	532140491	Adapter Fan
37	532121749	Washer 25/32 x 1-1/4 x 16 Ga.	88	532140492	Pulley Idler
38	532150035	Nyliner	89	873680700	Nut, Crownlock 7/16-14
39	874321016	Screw Fin #10-24 x 1	90	532140489	Keeper Belt
40	532005304	Actuator Interlock Switch	91	817490644	Screw Thdrol 3/8-16 x 2-3/4
41	873631000	Nut Lock #10-24	92	874760520	Bolt Fin Hex 5/16-18 x 1.75
42	532123533	Cover Pedal	93	532140502	Link Shift Asm
43	874760412	Bolt Hex Head 1/4-20 x 3/4	94	532133835	Fastner Christmas Tree
44	532104601	Bracket Interlock	95	823200528	Screw Set 5/16-18 x 1.75
45	873800400	Nut Lock W/Insert 1/4-20	96	532141103	Washer Nickel Plated
46	532145170	Retainer Spring	97	532126874	Bearing Trust
47	532138228	Clutch Rod	98	532141004	Bracket Shift
48	872110614	Bolt Carriage 3/8-16 x 1-3/4 Gr. 5	99	817490624	Screw Thdrol 3/8-16 x 1-1/2
49	819131413	Washer 13/32 x 7/8 x 13 Ga	100	532126881	Washer Compression
50	532131494	Pulley Idler Flat	101	532059285	Washer Bellville
51	873800600	Nut Lock Hex 3/8-16	102	873560500	Nut Hex Nylok
52	532139123	Pulley Idler Grooved	103	873350500	Nut Hex Jam 5/16-18
53	532000207	Washer Hardtened	104	532140480	Bracket Idler
54	532138390	Clutch Arm Asm	105	817580408	Screw Tap 1/4-20 x 1/2
55	532105706	Bearing, Idler	106	532142918	O-Ring Asm. Hydro Gear
56	532140218	V-Belt	107	532154739	Line Fuel Hydro
58	874760724	Bolt Fin Hex 7/16-14 x 1-1/2	108	532142917	Cap Vent
61	532140488	Pullery Transaxle	109	532140929	Spring Return Brake
64	532154752	Shaft Asm Brake Parking Clutch	110	532088652	Screw, Hinge
65	532067609	Bolt Shoulder	--	532150073	Transaxle Hydro
66	532140296	Washer Hardened			
67	819131312	Washer 13/32 x 13/16 x 12 Ga			
68	532005142	Pin Roll			

NOTE: All component dimensions given in U.S. inches
1 inch = 25.4 mm

REPAIR PARTS

TRACTOR - MODEL NO. GTH220 (954830167B)

STEERING ASSEMBLY



REPAIR PARTS

TRACTOR - MODEL NO. GTH220 (954830167B)

STEERING ASSEMBLY

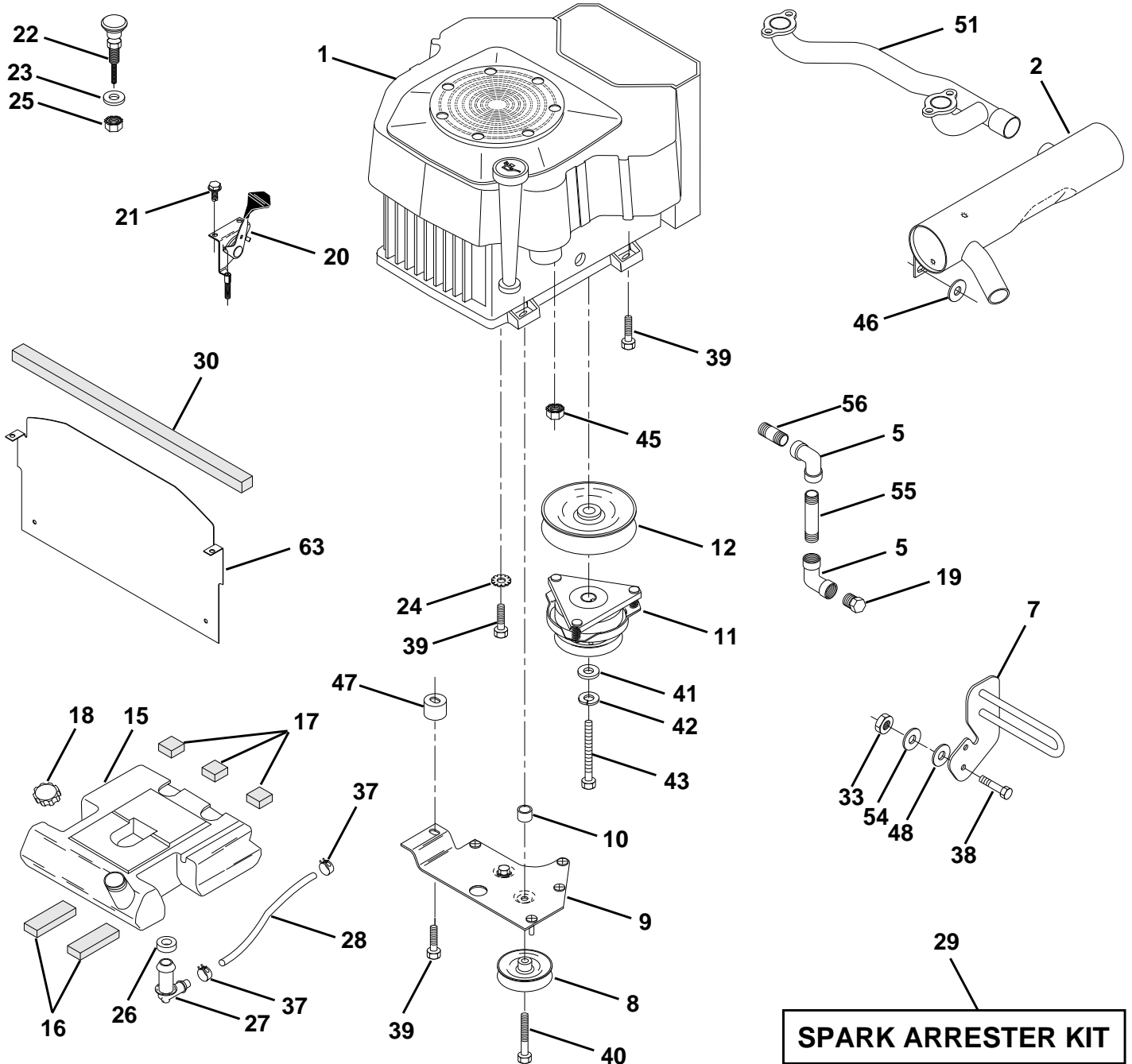
KEY NO.	PART NO.	DESCRIPTION
1	532124415	Wheel, Steering
2	532137094	Axle Asm., Front
3	532124836	Fitting, Grease
4	532136960	Spindle Asm, LH
5	532136959	Spindle Asm., RH
6	532124931	Bearing, Race Thrust Harden
7	532121748	Washer 25/32 x 1-5/8 x 16 Ga.
8	812000029	Ring, Klip #T5304-75
9	532121232	Cap, Spindle
10	874781044	Bolt, Fin Hex 5/8-11 x 2-3/4
11	532136518	Spacer, Brg. Axle Front
12	873901000	Nut, Lock Flange 5/8-11 Unc
13	532121749	Washer 25/32 x 1-1/4 x 16 Ga.
14	810040600	Washer, Lock Hvy Hlcl Spr 3/8
15	532124701	Nut, Lock Center 3/8-24 Unf
16	532145103	Shaft Asm., Steering
17	532137347	Rod Asm., Tie Ball J Ball Vgt (Inc. Key No. 36-40)
18	532137155	Draglink, Ball Joint Solid Vgt
19	532146611	Support Asm., Steering Vgt
21	532100711	Adapter, Wheel Steering
22	532155105	Bushing, Strg.
23	532152927	Screw
24	819133808	Washer 13/32 x 2-3/8 x 8 Ga.
25	874780616	Bolt, Fin Hex 3/8-16 x 1 Gr. 5
26	532124416	Cap , Wheel Steering
27	532124937	Bearing, Col. Strg.
28	817490612	Screw Thdrol 3/8-16 x 3/4
29	532104239	Bearing, Flange
30	812000034	Ring, Klip Truarc #5304-75
31	532138136	Bushing, Nyliner Snap
32	819111610	Washer 11/32 x 1 x 10 Ga.
33	810040500	Washer, Lock Hvy Hlcl Spr 5/16
34	874760512	Bolt, Hex Hd 5/16-18 x 3/4
35	532138059	Gear, Sector Steering
36	532137156	Tie Rod
37	873360600	Jam Nut RH Thread
38	532109850	Joint Asm. Ball RH Thread
39	873700600	Jam Nut LH Thread
40	532109851	Joint Asm. Ball LH Thread

NOTE: All component dimensions given in U.S. inches
1 inch = 25.4 mm

REPAIR PARTS

TRACTOR - MODEL NO. GTH220 (954830167B)

ENGINE



SPARK ARRESTER KIT

REPAIR PARTS

TRACTOR - MODEL NO. GTH220 (954830167B)

ENGINE

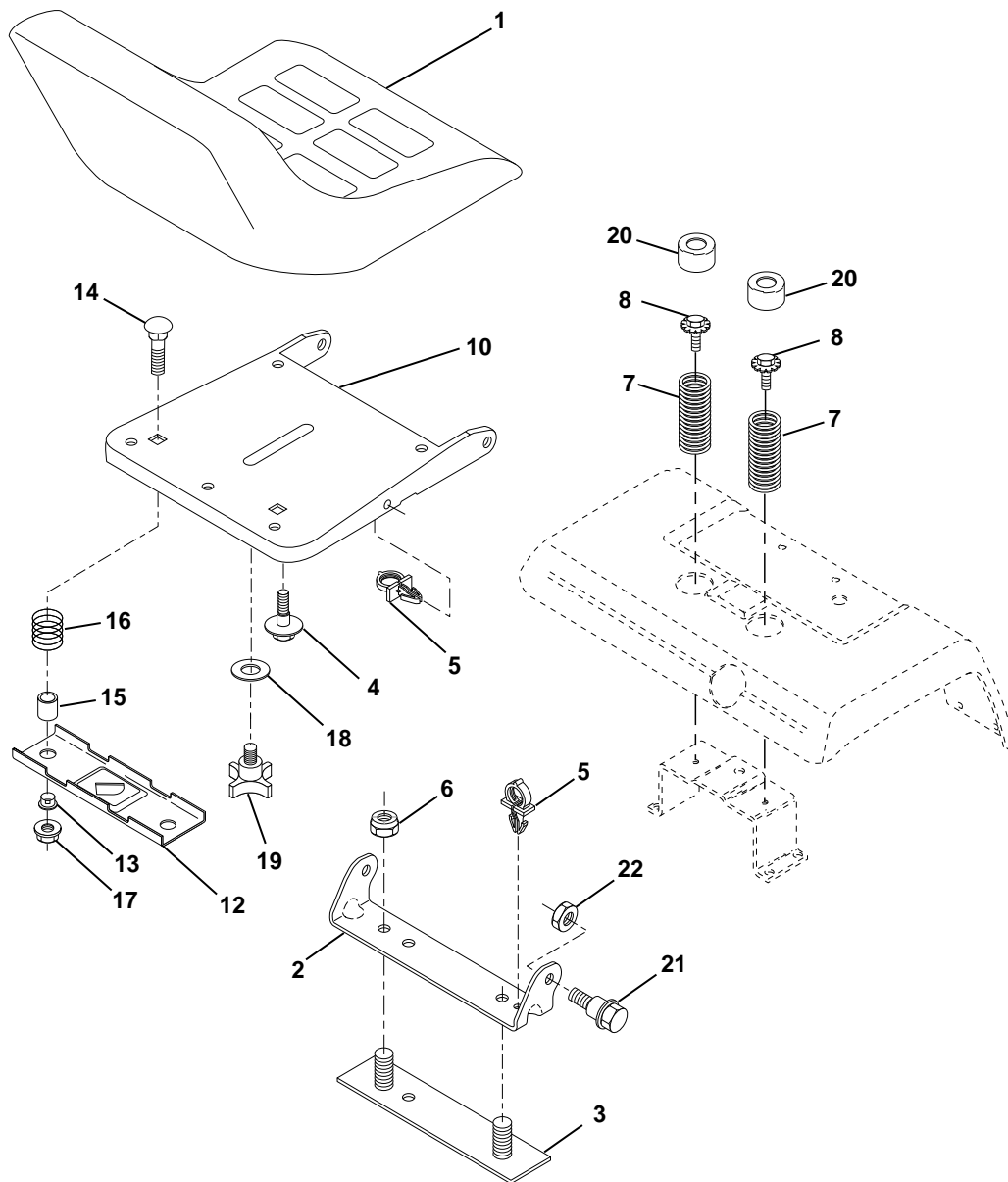
KEY NO.	PART NO.	DESCRIPTION
1	-----	Engine Kohler, Model No. CV22S
2	532144636	Muffler VGT Cylinder
5	813200300	Elbow STD 90 Degree 3/8-18 NPT
7	532151396	Muffler Assembly Guard
8	532121361	Pulley V-Idler
9	532150828	Keeper Asm Belt Engine VGT 96
10	532105432	Bushing
11	532140923	Clutch Electric
12	532143996	Pulley Engine VGT Elect Clutch
15	532151346	Tank Fuel Rear
16	532109227	Pad Spacer
17	532106082	Pad Spacer
18	532140527	Cap Asm Fuel W/Sym Vented
19	813290300	Plug Oil Drain (Order From Engine Manufacturer)
20	532132747	Control Throttle
21	817720410	Screw Hex Thd Cut 1/4-20 X 5/8
22	532132781	Control Choke
23	819131316	Washer 13/32 X 13/16 x 16 Ga
24	811050600	Washer Ext Tooth 3/8
25	873920600	Nut Keps 3/8 - 24 UNF
26	532124952	Bushing
27	532139277	Stem Tank Fuel
28	532124703	Fuel Line
29	532132920	Spark Arrester Kit
30	532105037	Strip Foam 18"
33	873800600	Nut, Hex W/Ins. 3/8-16 UNC
37	532123487	Clamp Hose
38	874780624	Bolt, Fin Hex 3/8-16 UNC x 1-1/2
39	817490636	Screw TT 3/8-16 x 2-1/4 UNC
40	817490664	Screw TT 3/8-16 x 4 UNC
41	532126197	Washer 1-1/2 OD X 15/32 ID X .250
42	810040700	Washer Lock 7/16
43	532150280	Bolt Hex 7/16-20 X 4-1/4 Ga 5
45	532128861	Nut Flange 1/4-20 Starter Nut
46	819131616	Washer 13/32 x 1 x 16 Ga.
47	532142040	Spacer Engine
48	819132007	Washer 13/32 x 1-1/4 x 7 Ga.
51	532140787	Pipe Crossover
54	819131414	Washer Flat 13/32 x 7/8 x 14 Ga.
55	813090336	Nipple, Pipe 3/8 NPT x 4-1/2
56	813090308	Nipple, Pipe 3/8 NPT x 1.00
63	532145549	Shield, Heat VGT YP/Husq.

NOTE: All component dimensions given in U.S. inches
1 inch = 25.4 mm

REPAIR PARTS

TRACTOR - MODEL NO. GTH220 (954830167B)

SEAT ASSEMBLY



KEY NO.	PART NO.	DESCRIPTION
1	532141525	Seat
2	532140551	Bracket, Pivot Seat
3	532140675	Strap, Fender
4	532127018	Bolt, Shoulder 5/16-18 X .62
5	532145006	Clip, Push In Hinged
6	873800600	Nut, Lock Hex W/Ins. 3/8-16 Unc
7	532124181	Spring, Seat Cprsn
8	532150176	Bolt 5/16-18unc x 3/4 W/Sems
10	532140552	Pan, Seat
12	532121246	Bracket, Mounting Switch
13	532121248	Bushing, Snap

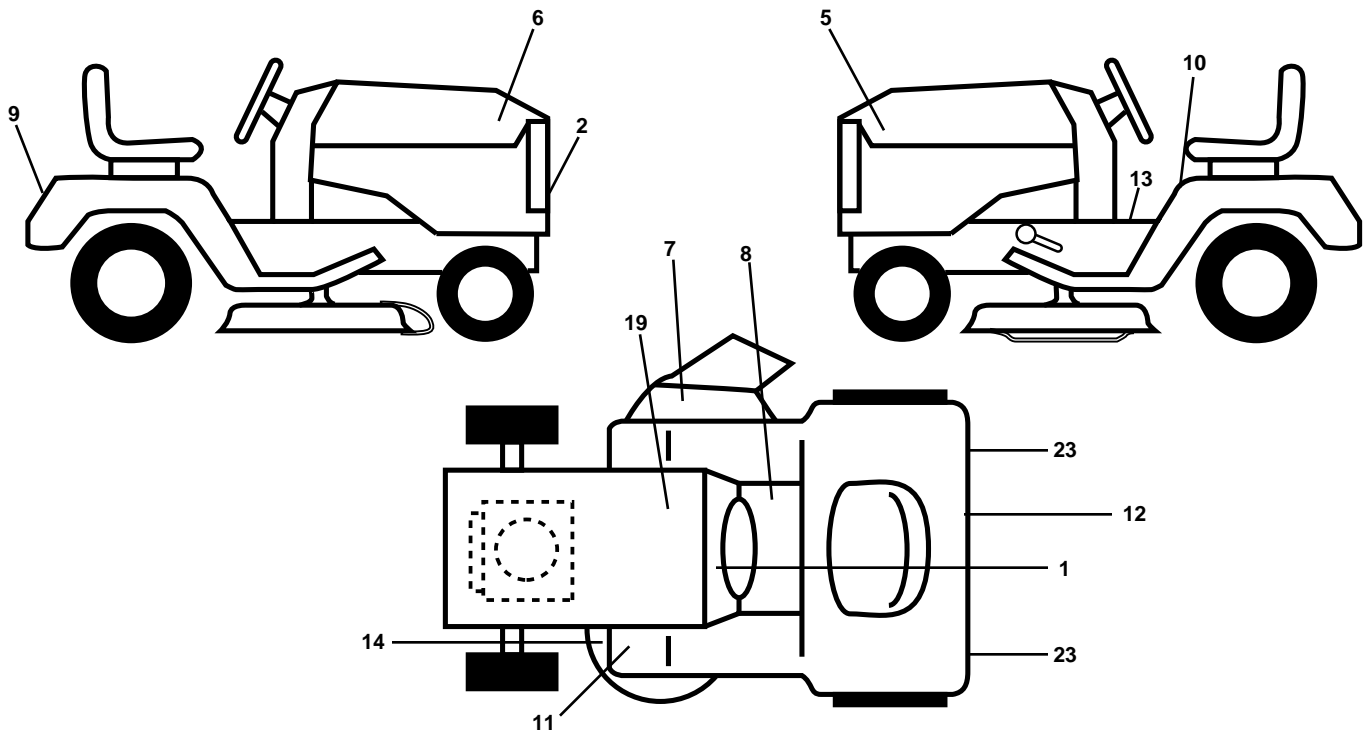
KEY NO.	PART NO.	DESCRIPTION
14	872050411	Bolt, Carriage 1/4-20 X 1-3/8
15	532121249	Spacer, Split
16	532123740	Spring, Cprsn
17	532123976	Nut, Lock 1/4 Lge Flg Gr. 5
18	819171912	Washer 17/32 X 1-3/16 X 12 Ga.
19	532120068	Knob, Seat 1/2-13 Unc
20	532124238	Cap, Spring Seat
21	532153236	Bolt, Shoulder 5/16-18 Unc-2A
22	873680500	Nut, Crownlock 5/16-18 Unc

NOTE: All component dimensions given in U.S. inches
1 inch = 25.4 mm

REPAIR PARTS

TRACTOR - MODEL NO. GTH220 (954830167B)

DECALS

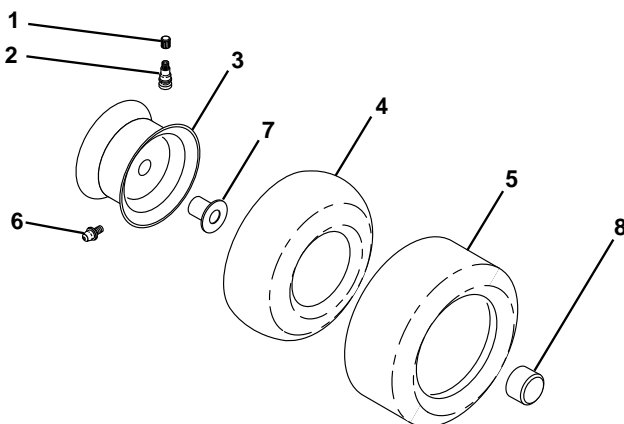


KEY NO.	PART NO.	DESCRIPTION	KEY NO.	PART NO.	DESCRIPTION
1	532138956	Decal, Operating Instruction	--	532138311	Decal, Handle Lft Height Adjust (Lift Handle)
2	532150616	Decal, Grille Husqvarna	--	532145246	Pad Frest Rbr Sq Generic 95
5	532150619	Decal, Inst Hood LH GTH220 Hydro	--	532145247	Fastener Pop-In Footrest (8 per)
6	532150618	Decal, Insrt Hood RH GTH220 Hydro	--	532153542	Manual, Owner's (English)
7	532137259	Decal, Warning Multi-Language	--	532153543	Manual, Owner's (French)
8	532140837	Decal, Brake Parking Saddle			
9	532140617	Decal, Fender			
10	532133795	Decal, Caution			
11	532101892	Decal, Clutch/Brake			
12	532142342	Decal, D-Bar Ctrl. Mvt Hyd YT/GT			
13	532142337	Decal, Sdl Cold Start Hyd E/F			
14	532139346	Decal, V-Belt Schematic			
19	532146451	Decal, Battery			
23	532106202	Reflector, Taillight			

Accessories not included with tractor:

--	SH10	Sleeve Hitch
--	TA128	Tire Chains
--	GBD48	Snow Blade
--	TA321	#55 Wheel Weights
--	EA20	Electric Assist Kit
--	GSB42	Snow Blower

WHEELS & TIRES



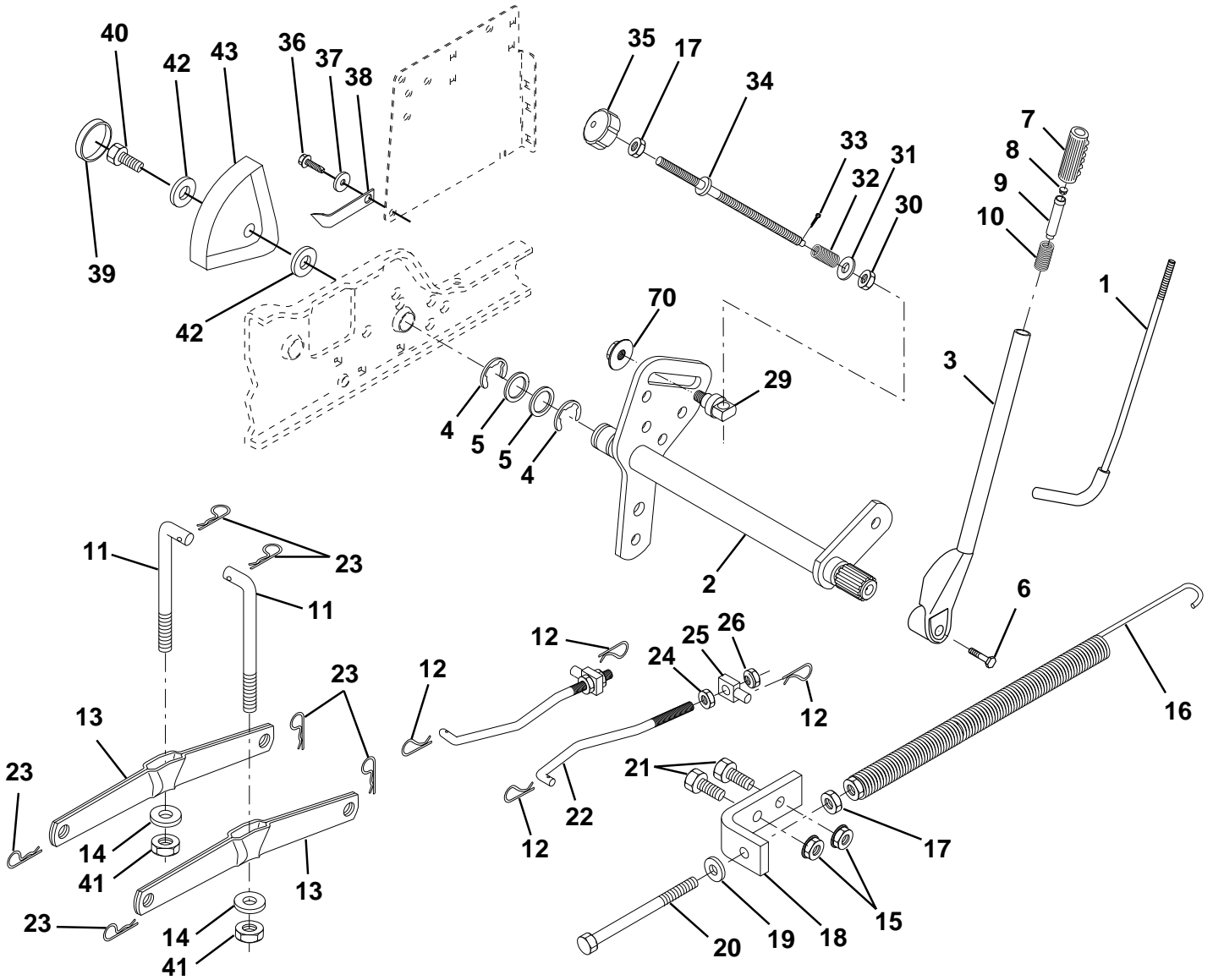
KEY NO.	PART NO.	DESCRIPTION
1	532059192	Cap, Valve, Tire
2	532065139	Stem, Valve
3	532144509	Rim Assembly, Front
	532144510	Rim Assembly, Rear
4	532008134	Tube, Front (Service Item Only)
	532007154	Tube, Rear (Service Item Only)
5	532106230	Tire, Front
	532105588	Tire, Rear
6	532124860	Fitting, Grease
7	532124959	Bearing, Flange (Front Wheel Only)
8	532104757	Cap, Hub, Axle Blk.
--	532144334	Sealant, Tire (10 oz. Tube)

NOTE: All component dimensions given in U.S. inches
1 inch = 25.4 mm

REPAIR PARTS

TRACTOR - MODEL NO. GTH220 (954830167B)

LIFT ASSEMBLY



REPAIR PARTS

TRACTOR - MODEL NO. GTH220 (954830167B)

LIFT ASSEMBLY

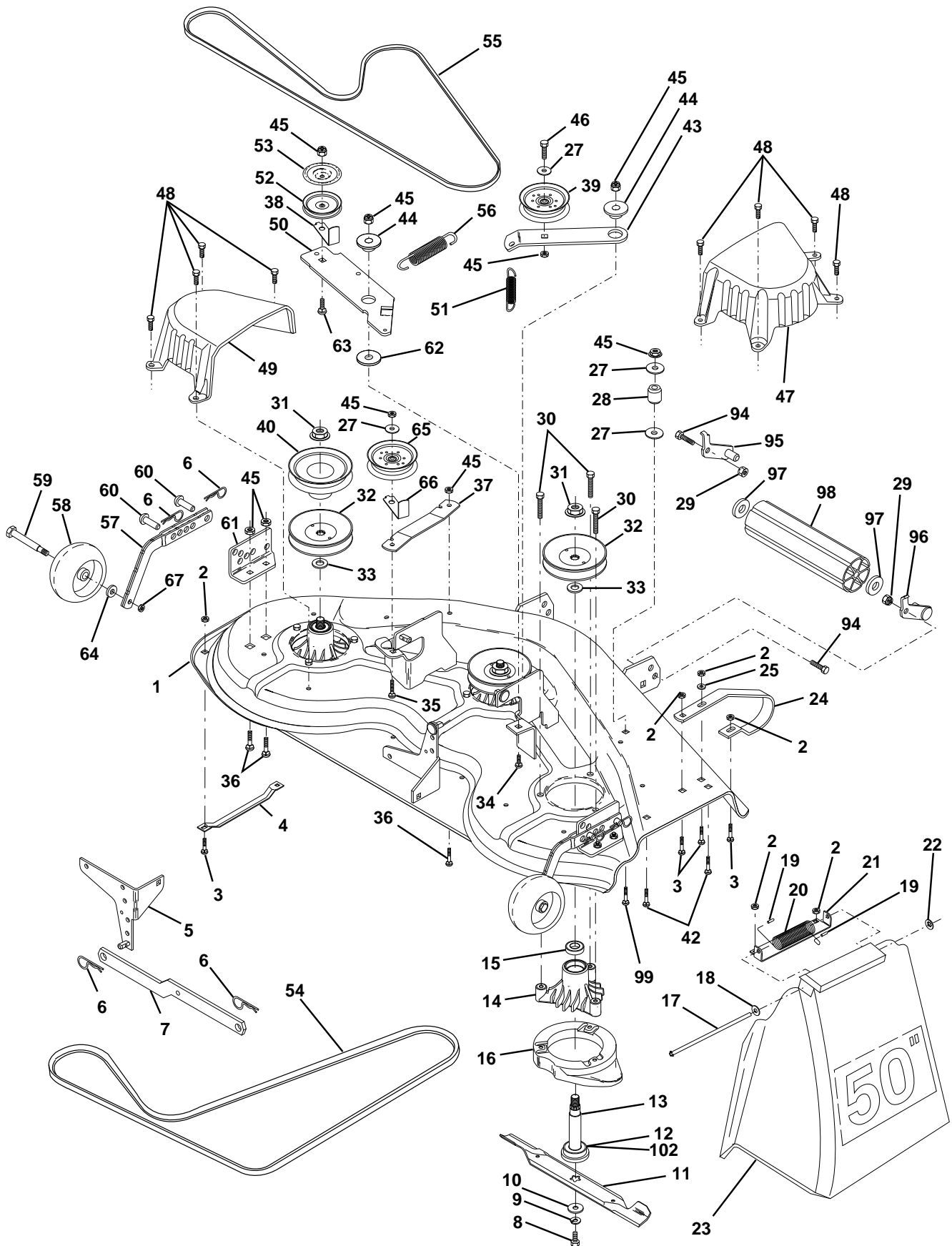
KEY NO.	PART NO.	DESCRIPTION
1	532121006	Rod Asm., Lever
2	532154389	Shaft Asm., Lift Vgt
3	532121002	Lever Asm., Lift Rh
4	812000022	E-Ring Truarc #5133-87
5	819292016	Washer 29/32 x 1-1/4 x 16 Ga.
6	874780624	Bolt, Fin Hex 3/8-16 x 1-1/2
7	532125631	Grip, Handle Fluted
8	532124526	Button, Plunger
9	532122364	Plunger, Lever Lift
10	532124874	Spring 2-1/8"
11	532146704	Link Lift
12	532124660	Retainer, Spring
13	532139868	Arm, Suspension Vgt
14	532140302	Bearing
15	873680600	Nut, Crownlock 3/8-16 Unc
16	532124687	Spring Asm., Assist Lift
17	873350600	Nut, Hex Jam 3/8-16 Unc
18	532143363	Bracket, Spring Assist
19	819131316	Washer 13/32 x 13/16 x 16 Ga.
20	532005328	Bolt, Adjust Spring Assist
21	874760616	Bolt, Fin Hex 3/8-16 x 1
22	532127218	Link, Front
23	532124670	Retainer, Spring
24	873350800	Nut, Jam Hex 1/2-13 Unc
25	532130171	Trunnion
26	873800800	Nut, Lock W/Wsh 1/2-13 Unc
29	532150233	Trunnion, Infin Height
30	532110807	Nut, Special
31	819131016	Washer 13/32 x 5/8 x 16 Ga.
32	532137150	Spring, Compression Inf Hgt
33	876020308	Pin, Cotter 3/32 x 1/2
34	532137167	Rod, Adj Lift
35	532138057	Knob, Inf 3/8-16 Unc
36	817490612	Screw, Thdrol 3/8-16 x 3/4
37	532120529	Washer, Nylon
38	532138346	Pointer, Pnt Height Indicator
39	532123935	Plug, Hole
40	817490512	Screw Thdrol 5/16-18 x 3/4
41	873540600	Nut, Crownlock 3/8-24
42	819112410	Washer 11/32 x 1-1/2 x 10 Ga.
43	532123934	Scale, Indicator Height
70	532145212	Nut Hex Flange Lock

NOTE: All component dimensions given in U.S. inches
1 inch = 25.4 mm

REPAIR PARTS

TRACTOR - MODEL NO. GTH220 (954830167B)

MOWER DECK



REPAIR PARTS

TRACTOR - MODEL NO. GTH220 (954830167B)

MOWER DECK

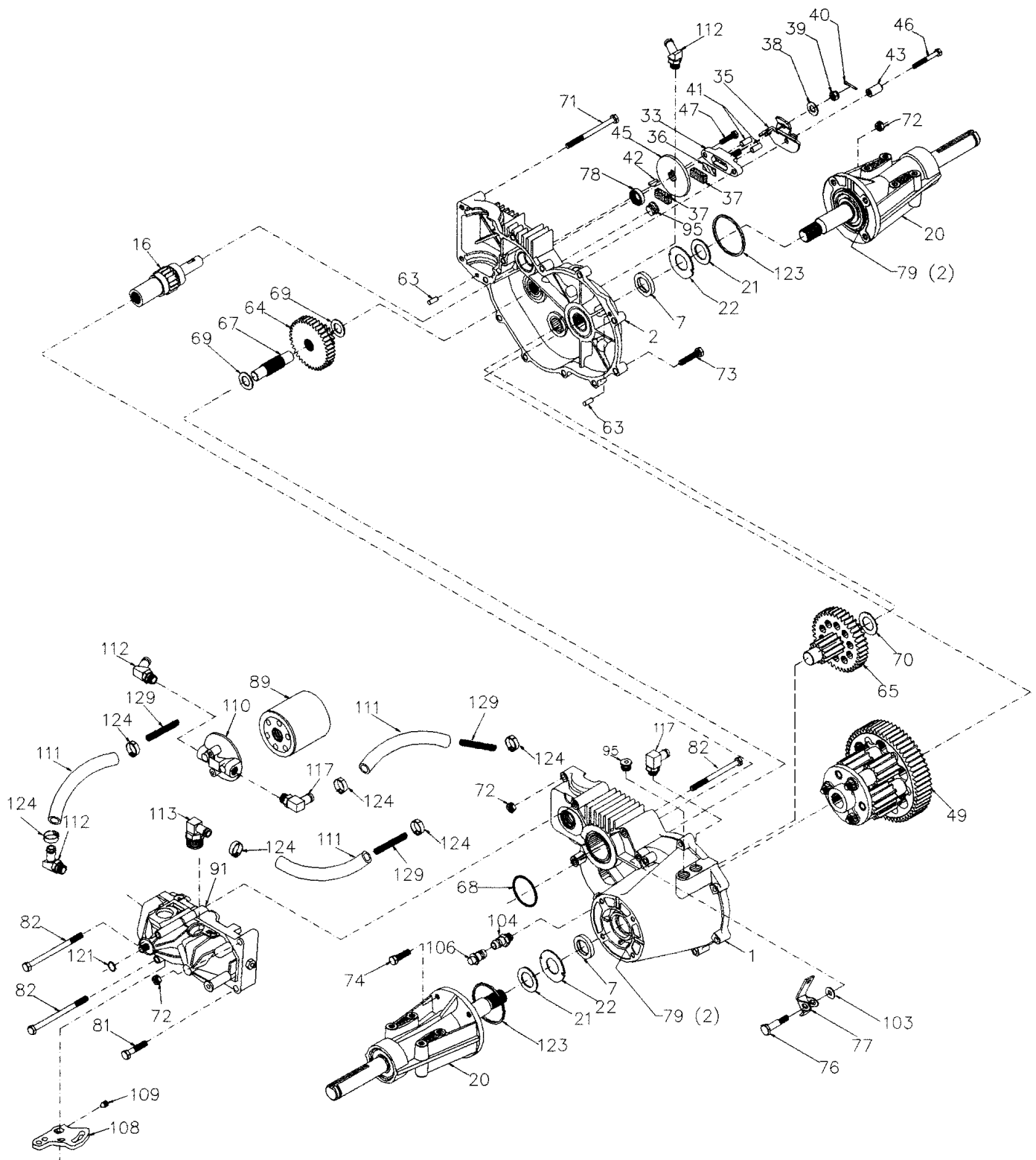
KEY NO.	PART NO.	DESCRIPTION	KEY NO.	PART NO.	DESCRIPTION
1	532136457	Deck Asm., Mower 50" Vented	42	872140506	Bolt, Carriage 5/16-18 Unc x 3/4
2	873680500	Nut, Crownlock 5/16-18 Unc	43	532136460	Arm, Idler Secondary
3	872110506	Bolt, Carriage 5/16-18 x 3/4	44	532122052	Spacer, Retainer
4	532125074	Runner, Mower LH	45	873680600	Nut, Crownlock 3/8-16 Unc
5	532138457	Bracket Asm., Sway Bar	46	874760628	Bolt, Fin Hex 3/8-16 Unc x 1-3/4
6	532124670	Retainer, Spring	47	532137200	Cover, Mandrel RH
7	532130832	Arm Suspension, Rear	48	532137729	Screw, Thd Roll 1/4-20 x 5/8
8	532850857	Bolt 3/8-24 x 1.25 Gr. 8 Patched	49	532136574	Cover, Mandrel LH
9	810030600	Washer, Lock Hvy 3/8 Unplated	50	532137272	Arm, Idler Primary
10	532140296	Washer, Hard Blade Mower Vented	51	532137273	Spring, Secondary
11	532137380	Blade (3 Required)	52	532139245	Pulley, Idler V Groove
12	532129895	Bearing, Ball #6204 (Mandrel)	53	532137789	Shield, Idler
13	532137553	Shaft Asm., W/Lower Brg (Includes Key No. 12)	54	532139573	V-Belt, Mower Primary
14	532137152	Housing, Mandrel 50" Vent	55	532144959	V-Belt, Mower Secondary
15	532110485	Bearing, Ball Mandrel	56	532138687	Spring, Primary
16	532140329	Stripper, Mower Vented	57	532136577	Bar Asm., Wheel Gauge
17	532106735	Rod, Hinge	58	532133957	Wheel, Gauge
18	819111016	Washer 11/32 x 5/8 x 16 Ga.	59	532137644	Bolt, Shoulder
19	532105304	Cap, Sleeve	60	532139031	Pin, Clevis
20	532123713	Spring, Torsion Deflector	61	532136573	Bracket, Wheel Gauge
21	532137607	Bracket, Deflector	62	532133943	Washer Hardened
22	532110452	Nut, Push	63	872110612	Bolt Carriage 3/8-16 x 1-1/2
23	532110509	Shield, Deflector Mower	64	819121414	Washer 3/8 x 7/8 x 14 Ga.
24	532136320	Runner, RH	65	532151831	Pulley Idler Flat Mower
25	819111216	Washer 11/32 x 3/4 x 16 Ga.	66	532139622	Keeper, Belt Idler 50" Vent
27	819131316	Washer 13/32 x 13/16 x 16 Ga.	67	873930600	Nut, Center Lock 3/8-16
28	532132823	Spacer, Spring Stop Idler	94	874760616	Bolt, Fin Hex 3/8-16 UNC x 1
29	873800600	Nut, Lock Hex W/Wsh 3/8-16 Unc	95	532132274	Bracket, Asm. Noseroller LH
30	532138776	Screw Thdrol Hex Head	96	532132273	Bracket, Asm. Noseroller RH
31	532137266	Nut, Flg Top Lock Cntr 9/16	97	819171416	Washer 17/32 x 7/8 x 16 Ga.
32	532153535	Pulley, Mandrel	98	532132264	Roller, Nose
33	532129963	Washer, Spacer Mower Vented	99	872110614	Bolt, Carriage 3/8-16 x 1-3/4 Gr. 5
34	872140610	Bolt, Carriage 3/8-16 x 1-1/4	102	532153390	Washer Felt
35	872110616	Bolt, Carriage 3/8-16 x 2	--	532143651	Mandrel Asm (Includes Key Nos. 8-10, 12-15, 31 and 33)
36	872110608	Bolt, Carriage 3/8-16 x 1 Gr. 5	--	532141051	Mower Asm Service (Std. Deck - Order separately all Nose Roller and all Gauge Wheel components)
37	532137166	Stiffener, Arm Idler			
38	532137554	Keeper, Belt Idler			
39	532131494	Pulley, Idler Flat			
40	532136572	Pulley, Driven			

NOTE: All component dimensions given in U.S. inches
1 inch = 25.4 mm

REPAIR PARTS

TRACTOR - MODEL NO. GTH220 (954830167B)

TRANSAXLE HYDRO GEAR MODEL NUMBER 218-3010



REPAIR PARTS

TRACTOR - MODEL NO. GTH220 (954830167B)

TRANSAXLE HYDRO GEAR MODEL NUMBER 218-3010

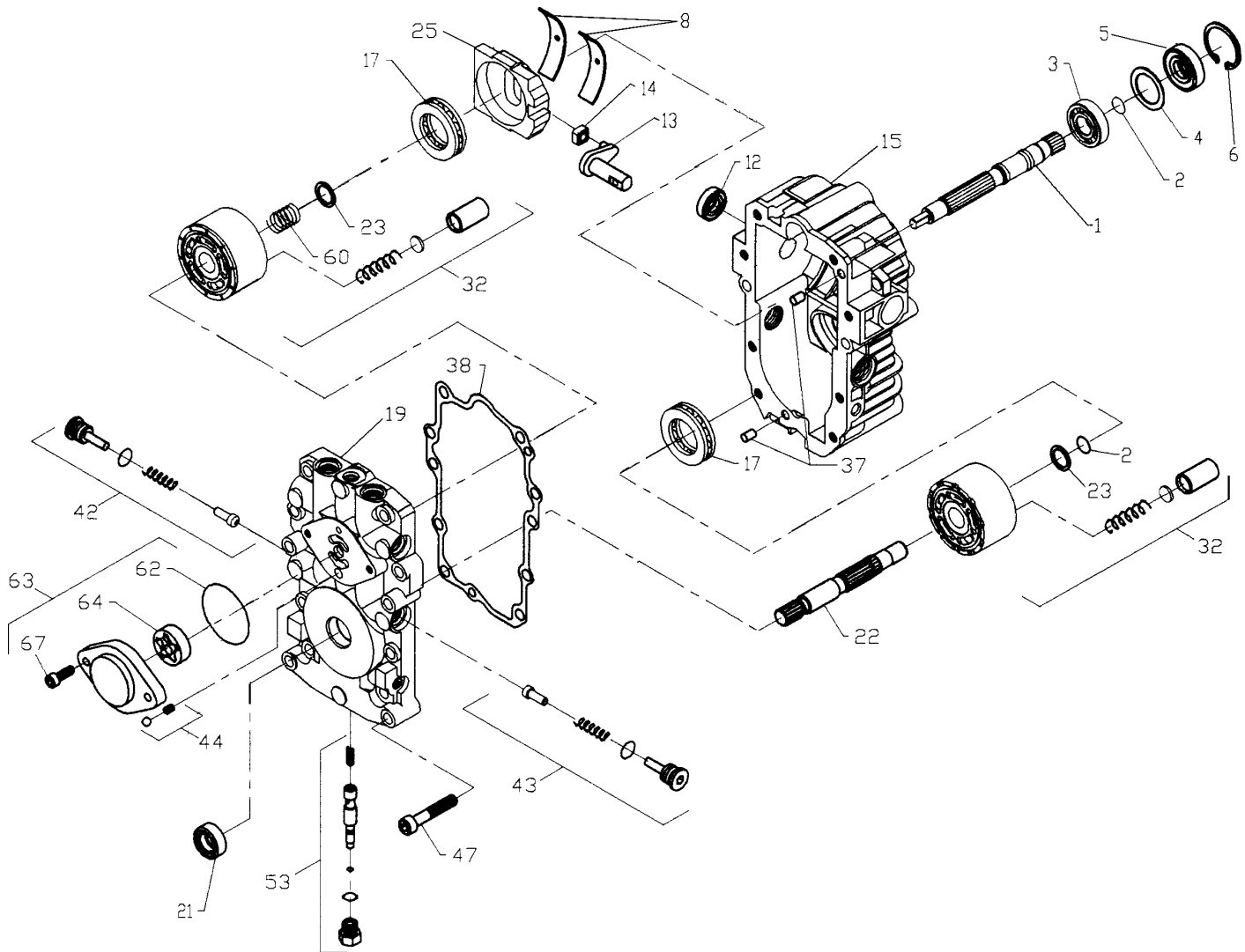
KEY PART NO. NO.	DESCRIPTION	KEY PART NO. NO.	DESCRIPTION		
1	532142874	Assembly, Housing, LH	72	532153767	Locknut, Hex 5/16-18
2	532142875	Assembly, Housing, RH	73	532142904	Bolt, Hex 5/16-18 x 1-1/2
7	532153765	Oil Seal .984 x 1.5 x .25	74	532142905	Hex Cap Screw 5/16-18 x 1
16	532142876	Brake Shaft Assembly	76	532142907	Shoulder Bolt
20	532142877	Axle Mounting Horn Assembly	77	532142908	Freewheel Actuating Arm
21	532142878	Washer 1.0 x 1.63 x .08	78	532142909	Oil Seal .625 x 1.0 x .25
22	532142879	Washer 1.0 x 2.06 x .09	79	532153768	Grease (10 oz. Tube)
33	532142929	Brake Yoke Assembly	81	532142910	Bolt, Hex 5/16-18 x 1-3/4
35	532142880	Brake Arm	82	532142911	Bolt 5/16-18 x 4-1/2
36	532142882	Puck Plate	89	532142912	Filter, Spin On
37	532142883	Brake Puck	91	532153769	Pump, BDU-10L-122
38	532142884	Washer 7/8 O.D. x 7/16 x .060	95	532142914	Plug, Straight Thread
39	532142885	Nut, Castle 5/16-24	103	532142916	Washer
40	532142886	Cotter Pin	104	532142917	Vent Cap Assembly
41	532142887	Brake Actuating Pin	106	532142918	Fitting O-Ring Assembly
42	532142888	Hi Pro Key	108	532142919	Control Arm
43	532142889	Spacer	109	532142920	Set Screw
45	532142890	Brake Disc	110	532142921	Filter Head
46	532142891	Bolt 1/4-20 x 1-1/2	111	532150820	Hose 1/2"
47	532142892	Bolt 1/4-20 x 1	112	532150823	Fitting, 1/2" Beaded 90° 7/8 SAE
49	532153766	Differential Assembly	113	532150821	Fitting, 1/2" Beaded 60° 9/16
63	532142894	Dowel Pin	117	532150822	Fitting, 1/2" Beaded 90° 9/16
64	532150818	Reduction Gear, 14 Teeth to 38 Teeth	123	532150824	O Ring
65	532142897	Final Drive Pinion Assembly	124	532150825	Pinch Clamp
67	532142898	Jackshaft	129	532153771	Spring, Long
68	532142899	O-Ring			
69	532142900	Washer 5/8 X 1-5/32			
70	532142901	Washer 7/8 X 1-1/2			
71	532142902	Bolt, Hex 5/16-18 x 3.5			

NOTE: All component dimensions given in U.S. inches
1 inch = 25.4 mm

REPAIR PARTS

TRACTOR - MODEL NO. GTH220 (954830167B)

TRANSAXLE PUMP - - MODEL NUMBER BDU-10L-122



KEY PART NO. NO.

DESCRIPTION

KEY PART NO. NO.

DESCRIPTION

1	532144569	Shaft, Pump
2	532122716	Ring, Retaining
3	532122745	Bearing, Ball
4	532122715	Spacer
5	532122700	Seal, Lip
6	532122699	Ring, Retaining
8	532122767	Bearing, Cradle
12	532122717	Seal, Lip
13	532122748	Arm, Trunnion
14	532122749	Guide, Slot
15	532144571	Housing Kit, Transmission
17	532122770	Bearing, Thrust, Ball
19	532153801	Center Section Kit
21	532122722	Seal, Lip
22	532144573	Shaft, Motor
23	532142978	Washer, Block Thrust

25	532127148	Swashplate, Variable
32	532142938	Block Assembly
37	532122786	Pin, Stainless, Headless
38	532122718	Gasket, Center Section
42	532144578	Check Valve Kit
43	532144578	Check Valve Kit
44	532144579	Charge Relief Kit
47	532122752	Screw, Socket Head, Cap
53	532127153	Bypass Valve Kit
60	532142977	Block Spring
62	532144581	O-Ring
63	532144582	Charge Pump Kit
64	532144583	Gerotor Assembly
67	532144584	Screw, Socket Head, Cap
--	532153769	Pump Assembly, Complete