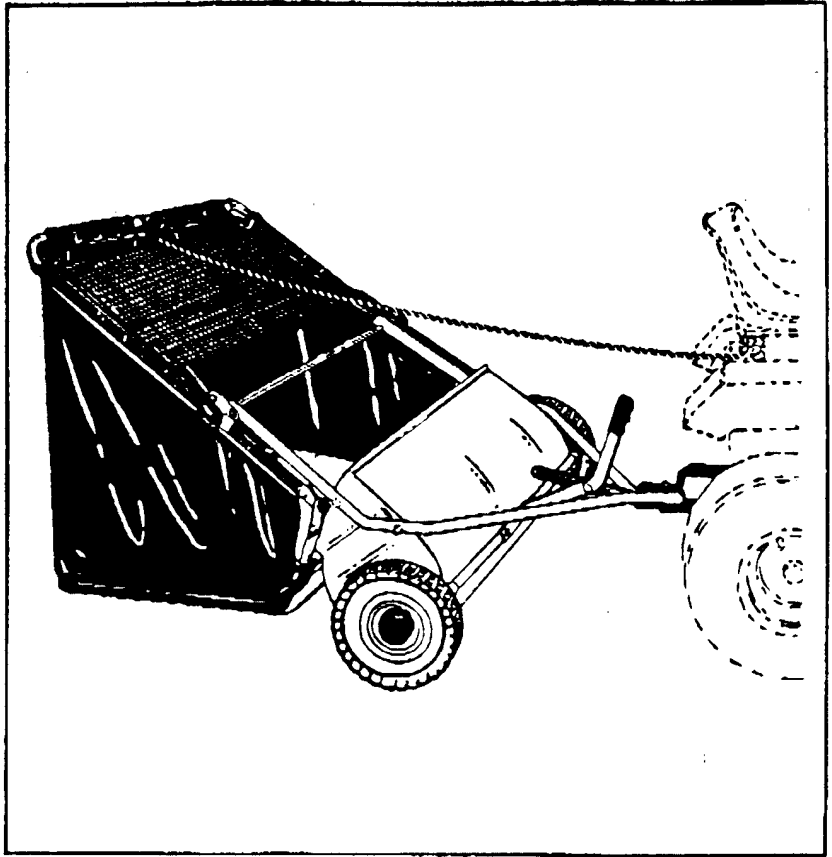
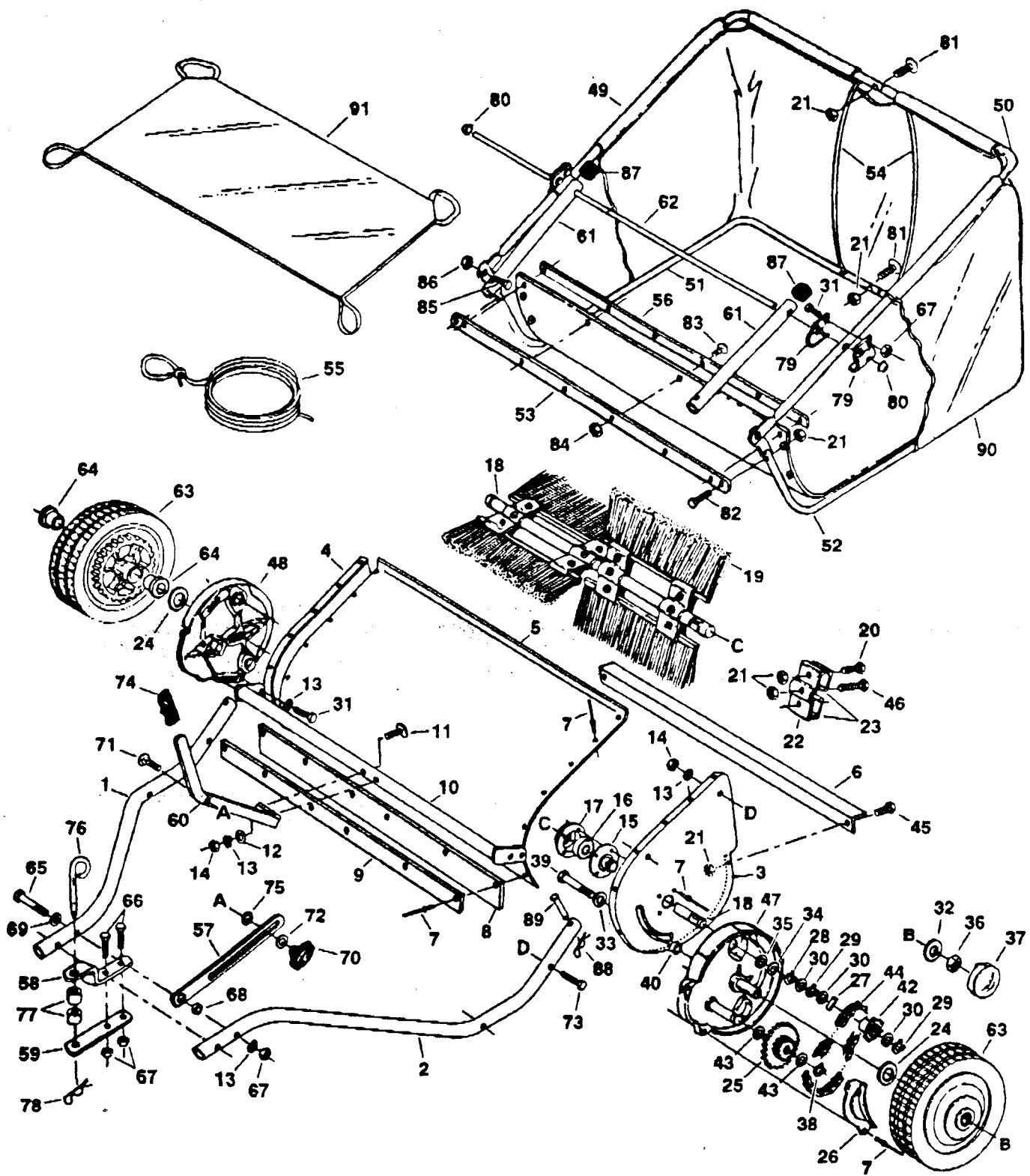


**Model No.**  
**45-0261**  
**50261-401**  
**HS 420**



**HS 420**  
**42" High Performance**  
**LAWNSWEEPER**

# REPAIR PARTS FOR MODEL 45-0261 - 42" HIGH PERFORMANCE LAWSWEEPER



# PARTS

## REPAIR PARTS LIST FOR MODEL 45-0261 - 42" HIGH PERFORMANCE LAWSWEEPER

REF. NO.	PART NO.	QTY.	DESCRIPTION	REF. NO.	PART NO.	QTY.	DESCRIPTION
1	46776	1	Hitch Tube, R.H.	47	82791	1	Housing, Wheel Drive Ass'y. L.H.
2	46777	1	Hitch Tube, L.H.	48	62792	1	Housing, Wheel Drive Ass'y. R.H.
3	24195	1	End Plate, L.H.	49	46734	1	Tube, Upper Hopper Frame R.H.
4	24196	1	End Plate, R.H.	50	46735	1	Tube, Upper Hopper Frame L.H.
5	24184	1	Wrapper	51	46732	1	Tube, Lower Hopper Frame R.H.
6	24185	1	Brace, Rear Support	52	46733	1	Tube, Lower Hopper Frame L.H.
7	C-9M5732	30	Rivet, Pop	53	24189	1	Strap, Bag Frame
8	46778	1	Skirt, 42"	54	43938	2	Rod, Hopper Support 34"
9	24186	1	Retainer, Skirt	55	43737	1	Hopper Rope
10	63468	1	Height Adjustment Tube Ass'y.	56	24190	1	Retainer, Bag
11	44947	2	Bolt, Cvd. Hd. 5/16-18 x 1-5/8" Lg.	57	24191	1	Strap, Height Adjustment
12	44695	2	Washer, Bowed 1" x .32" x .06"	58	23687	1	Bracket, Hitch
13	43086	12	Lock Washer, 5/16"	59	24192	1	Bracket, Hitch (Straight)
14	43083	6	Nut, Hex 5/16-18 Thread	60	24193	1	Handle, Height Adjustment
15	62489	2	Brush Bushing Ass'y.	61	46781	2	Tube, Bag Arm
16	44232	2	Ball Bearing	62	46823	1	Rod, Hopper Bag Pivot
17	1629-56	2	Retainer, Dust Cover	63	44985	2	Wheel & Tire Ass'y. (White)
18	24198	1	Brush Shaft		46550	2	Wheel & Tire Ass'y. (Yellow)
19	46780	4	Brush, 42"	64	45088	4	Wheel Bearing
20	43012	8	Bolt, Hex 1/4-20 x 3/4" Lg.	65	46782	2	Bolt, Hex 5/16-18 x 3" Lg.
21	43013	18	Nut, Hex Lock 1/4-20 Thread	66	43224	2	Bolt, Hex 5/16-18 x 2-1/4" Lg.
22	23580	4	Retainer, Brush (Double)	67	43064	8	Nut, Hex Lock 5/16-18 Thread
23	23581	8	Retainer, Brush (Single)	68	46847	1	Bushing, Spacer
24	44008	2	Washer, Flat 1-1/8" x .78" x .025"	69	R19111116	2	Washer, Flat (5/16) 11/32" x 11/16"
25	62490	2	Sprocket / Gear	70	43720	1	Knob, Wing 5/16-18 Thread
26	23573	2	Dust Cover	71	43080	1	Bolt, Carriage 5/16-18 x 3/4" Lg.
27	1671-1	2	Pawl	72	43081	1	Washer, Flat 5/16" Std. Wrt.
28	43655	2	Ring, Retaining 3/4"	73	43084	4	Bolt, Hex 5/16-18 x 1-3/4" Lg.
29	1650-21	4	Ring, Retaining .594"	74	43943	1	Grip, Height Adjust
30	44007	6	Washer, Shim 1-1/8" x .594" x .025"	75	44732	1	Washer, Tooth Lock 5/16"
31	43182	8	Bolt, Hex 5/16-18 x 3/4" Lg.	76	23353	1	Pin, Hitch
32	141	2	Washer, Flat 1-1/2" x .375" x .062"	77	23368	2	Tube, Hitch Spacer
33	43070	2	Washer, 3/8" Std. Wrt.	78	43343	1	Hairpin Cotter, 1/8" #4
34	1540-31	2	Washer, Flat .78" x 1.25" x .06"	79	23331	4	Clamp, Hopper Mount
35	1540-107	2	Washer, Flat .78" x 1.25" x .031"	80	44917	2	Pinut, 3/8"
36	1038	2	Nut, Hex Lock 3/8-24 Thread	81	43978	2	Bolt, Cvd. Hd. 1/4-20 x 1" Lg.
37	2674-32	2	Hub Cap	82	1509-90	2	Bolt, Hex 1/4-20 x 1-1/4" Lg.
38	43894	2	Ring, Retaining 1/2"	83	43346	6	Bolt, Sl. Tr. Hd. #10-32 x 5/8" Lg.
39	43932	2	Bolt, Hex 3/8-24 x 3-1/2" Lg.	84	43662	6	Nut, Hex Lock #10-32 SEMS
40	23400	2	Bushing, Spacer	85	43407	2	Bolt, Hex 3/8-16 x 3/4" Lg.
41	43890	1	Sprocket, Ratchet R.H. (not shown)	86	43082	2	Nut, Hex Lock 3/8-16 Thread
42	43889	1	Sprocket, Ratchet L.H.	87	44481	2	Cap, Vinyl
43	44137	4	Washer, 1/2" x 1" x .02"	88	43055	2	Hairpin Cotter, 3/32" #3
44	44542	2	Chain, Roller	89	46867	2	Pin, Clevis 1/4" x 1-1/2" Lg.
45	43175	2	Bolt, Hex 1/4-20 x 1/2" Lg.	90	46738	1	Hopper Bag
46	43661	4	Bolt, Hex 1/4-20 x 1" Lg.	91	46739	1	Wind Screen
					46815	1	Owners Manual