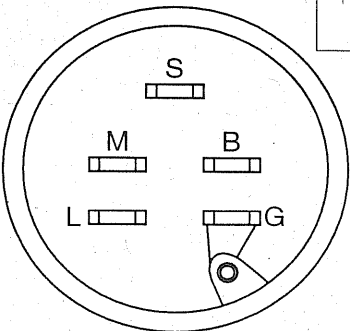
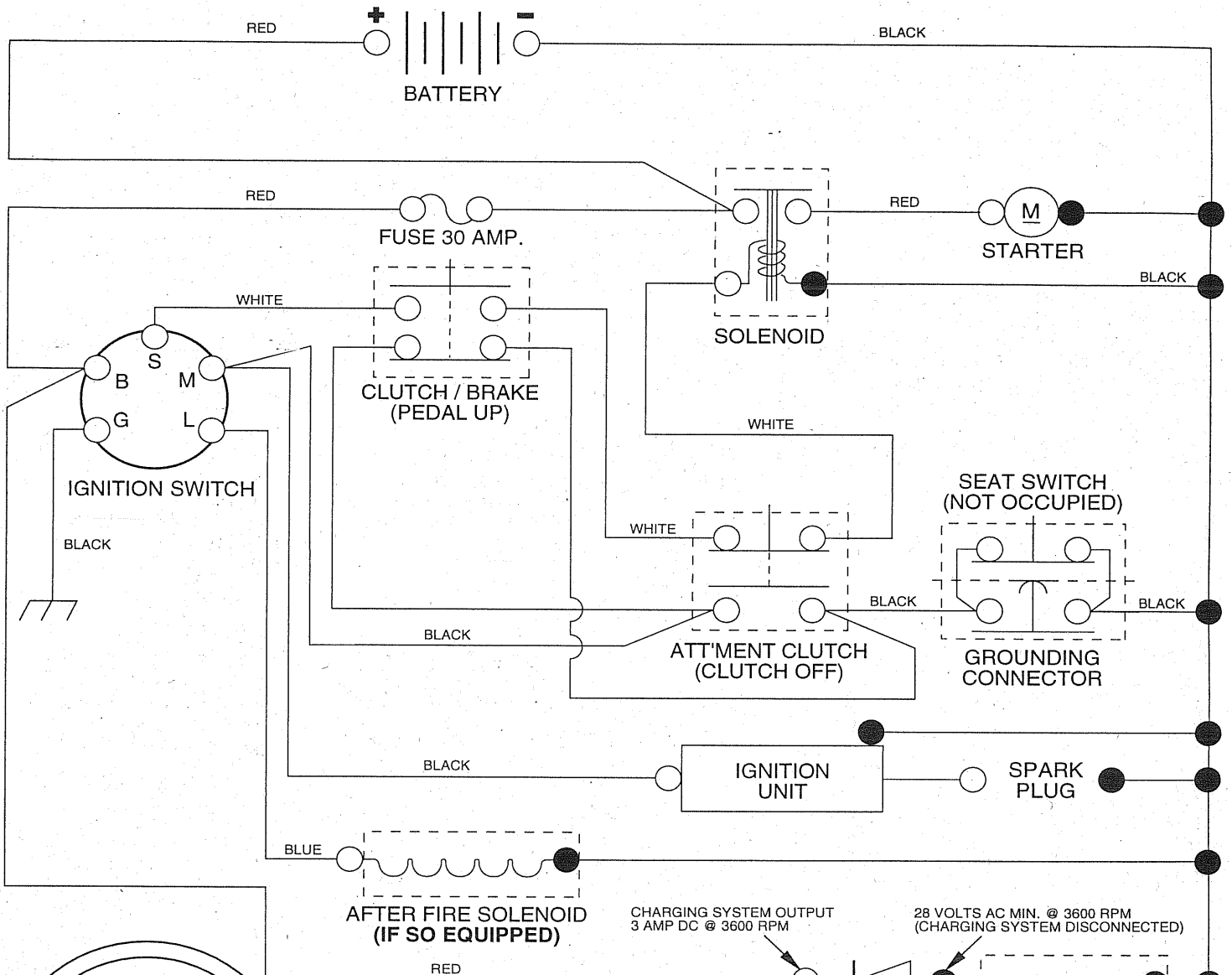


TRACTOR -- MODEL NUMBER LR120 (954830051B)

SCHEMATIC

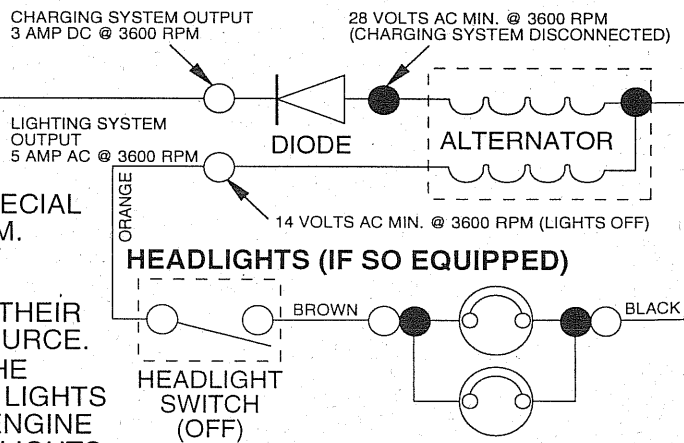


IGNITION SWITCH

POSITION	CIRCUIT
OFF	M + G
ON	B + L
START	B + S + L

NOTE

YOUR TRACTOR IS EQUIPPED WITH A SPECIAL ALTERNATOR SYSTEM. THE LIGHTS ARE NOT CONNECTED TO THE BATTERY, BUT HAVE THEIR OWN ELECTRICAL SOURCE. BECAUSE OF THIS, THE BRIGHTNESS OF THE LIGHTS WILL CHANGE WITH ENGINE SPEED. AT IDLE THE LIGHTS WILL DIM. AS THE ENGINE IS SPEEDED UP, THE LIGHTS WILL BECOME THEIR BRIGHTEST.



WIRING INSULATED CLIPS

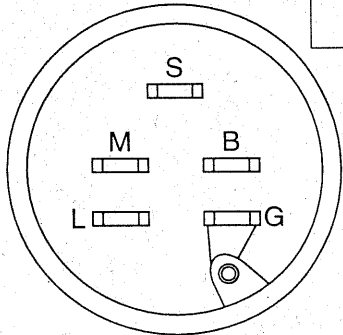
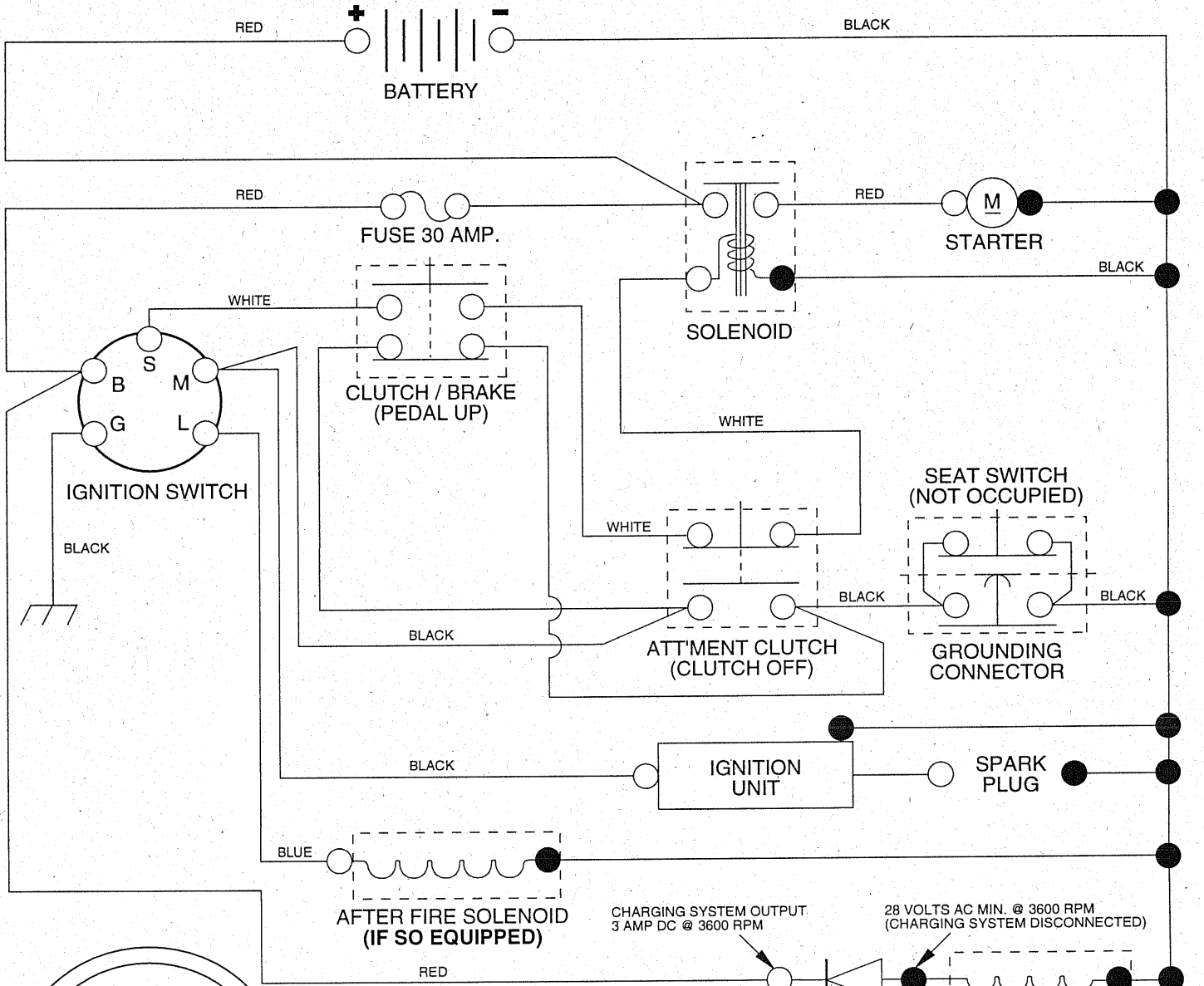
NOTE: IF WIRING INSULATED CLIPS WERE REMOVED FOR SERVICING OF UNIT, THEY SHOULD BE REPLACED TO PROPERLY SECURE YOUR WIRING.

● NON-REMOVABLE CONNECTIONS

○ REMOVABLE CONNECTIONS

TRACTOR -- MODEL NUMBER LR120 (954830051B)

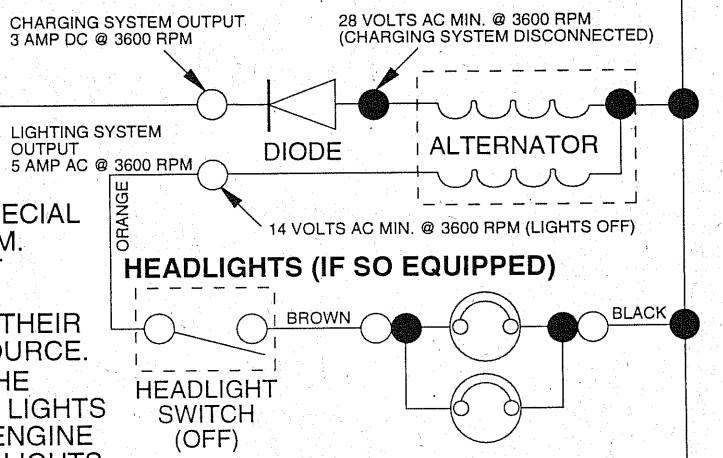
SCHEMATIC



IGNITION SWITCH

POSITION	CIRCUIT
OFF	M + G
ON	B + L
START	B + S + L

NOTE
 YOUR TRACTOR IS EQUIPPED WITH A SPECIAL ALTERNATOR SYSTEM. THE LIGHTS ARE NOT CONNECTED TO THE BATTERY, BUT HAVE THEIR OWN ELECTRICAL SOURCE. BECAUSE OF THIS, THE BRIGHTNESS OF THE LIGHTS WILL CHANGE WITH ENGINE SPEED. AT IDLE THE LIGHTS WILL DIM. AS THE ENGINE IS SPEEDED UP, THE LIGHTS WILL BECOME THEIR BRIGHTEST.



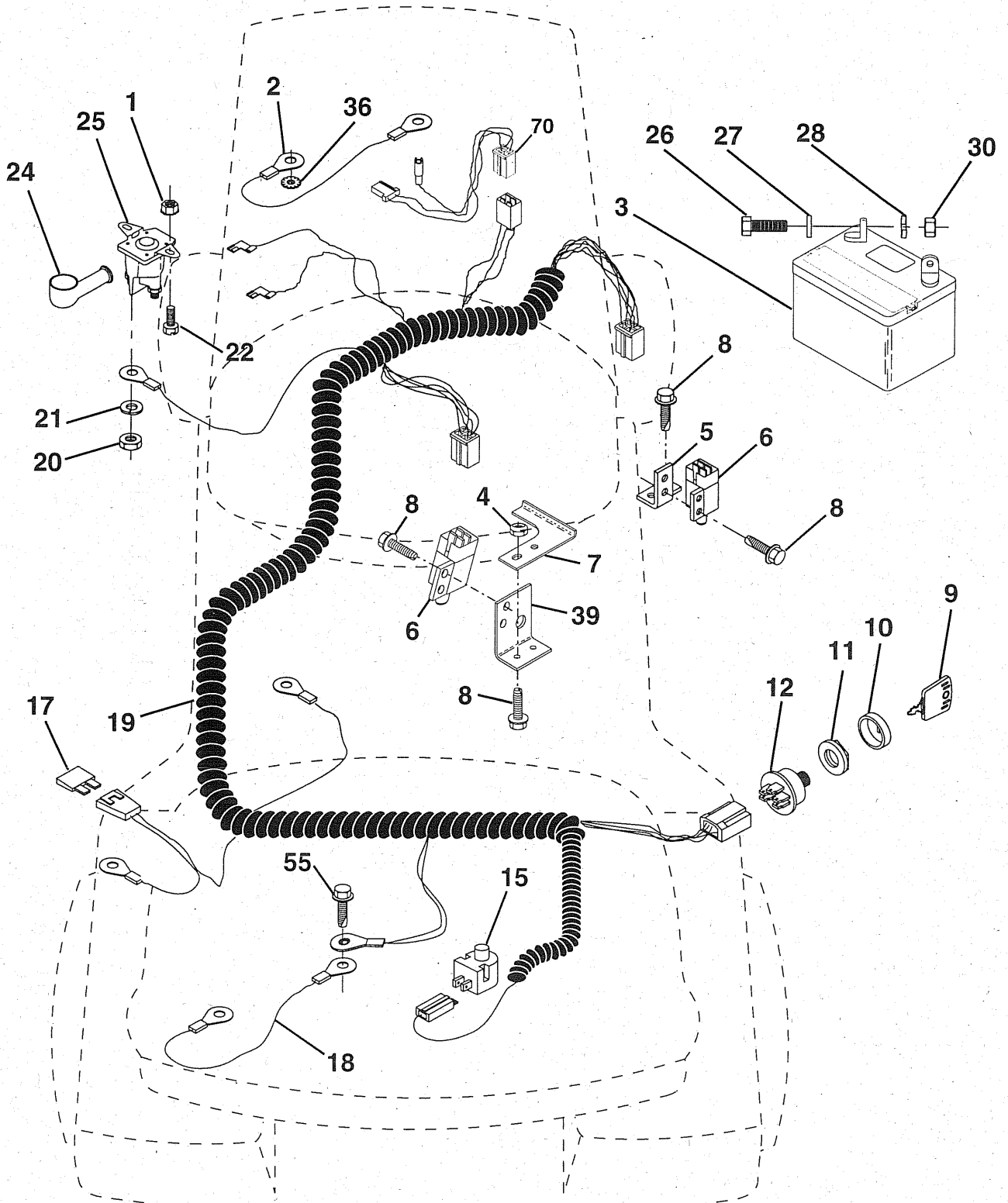
WIRING INSULATED CLIPS
NOTE: IF WIRING INSULATED CLIPS WERE REMOVED FOR SERVICING OF UNIT, THEY SHOULD BE REPLACED TO PROPERLY SECURE YOUR WIRING.

● NON-REMOVABLE CONNECTIONS ○ REMOVABLE CONNECTIONS

REPAIR PARTS

TRACTOR -- MODEL NUMBER LR120 (954830051B)

ELECTRICAL



REPAIR PARTS

TRACTOR - - MODEL NUMBER LR120 (954830051B)

ELECTRICAL

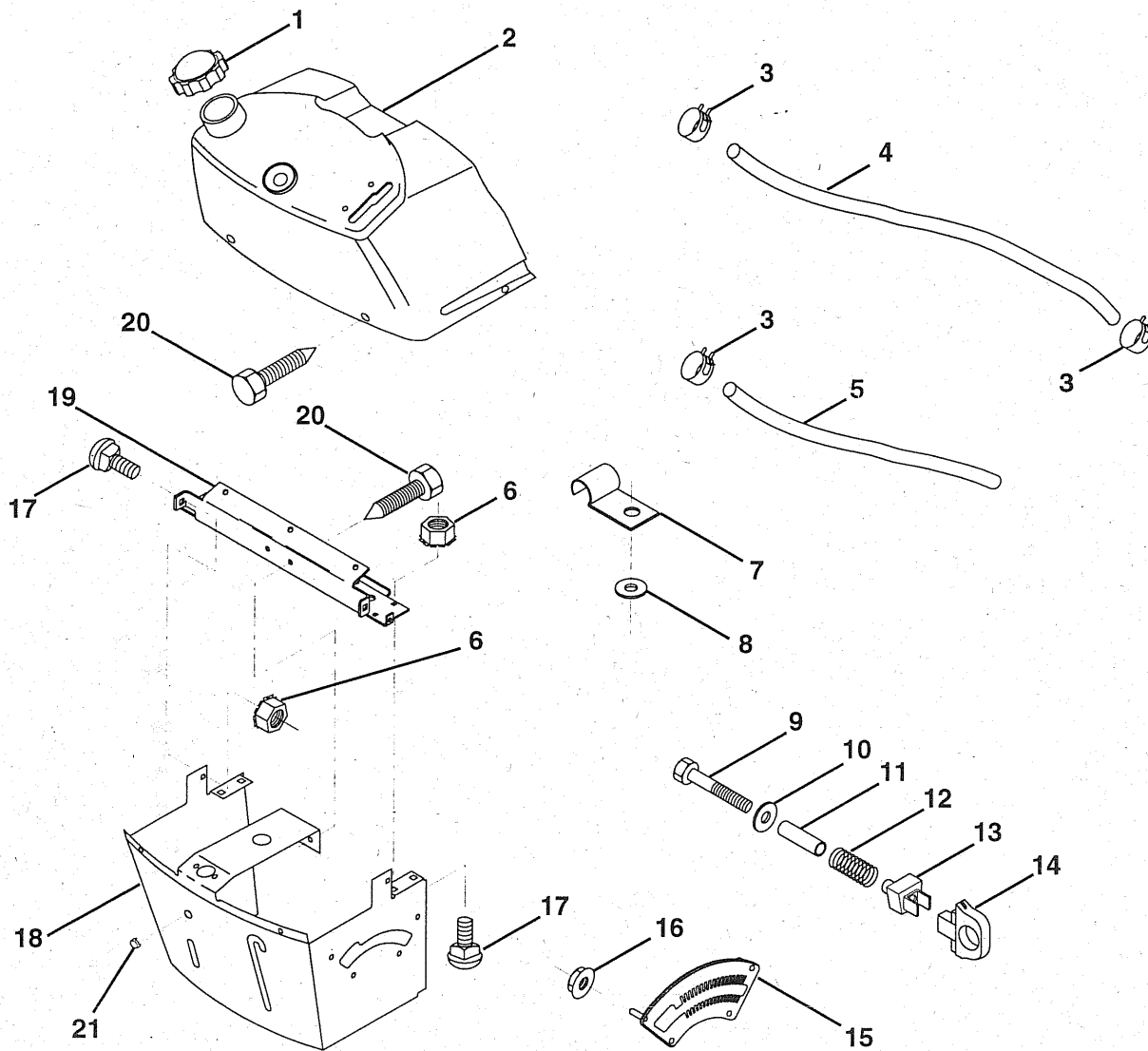
KEY NO.	PART NO.	DESCRIPTION
1	873640400	Nut, Hex Keps 1/4-20
2	532108423	Assembly, Cable
3	532146138	Battery
4	532069180	Nut, Lock #10-24 UNC
5	532108236	Bracket, Switch
6	532109553	Switch, Interlock(4-terminal)
7	532146374	Keeper, Actuator
8	817021008	Screw, Hex Hd. Tap #10-24 x 1/2
9	532140401	Key, Molded
10	532141226	Cover, Key Ignition
11	532140400	Nut, Ignition
12	532144921	Switch, Ignition
15	532121305	Switch, Plunger
17	532108824	Fuse
18	532128353	Assembly, Cable
19	532146063	Harness, Ignition
20	873350400	Nut, Hex Jam 1/4-20
21	810090400	Washer, Lock 1/4
22	8711110408	Bolt, Fin. Hex 1/4-20 UNC x 1/2 Gr. 5
24	532131563	Cover, Terminal
25	532145673	Solenoid
26	874760412	Bolt, Hex Hd. 1/4-20 UNC x 3/4
27	819091016	Washer 9/32 x 5/8 x 16
28	810040400	Washer, Lock 1/4
30	873220400	Nut, Fin. Hex 1/4-20 UNC
36	811150400	Washer Lock Inter. Tooth 1/4
39	532141735	Bracket Switch Clutch
55	817490508	Screw Thdrol 5/16-18 x 1/2
70	532140413	Harness Engine

HARDWARE SHOWN LARGER FOR EASIER IDENTIFICATION

REPAIR PARTS

TRACTOR -- MODEL NUMBER LR120 (954830051B)

DASH



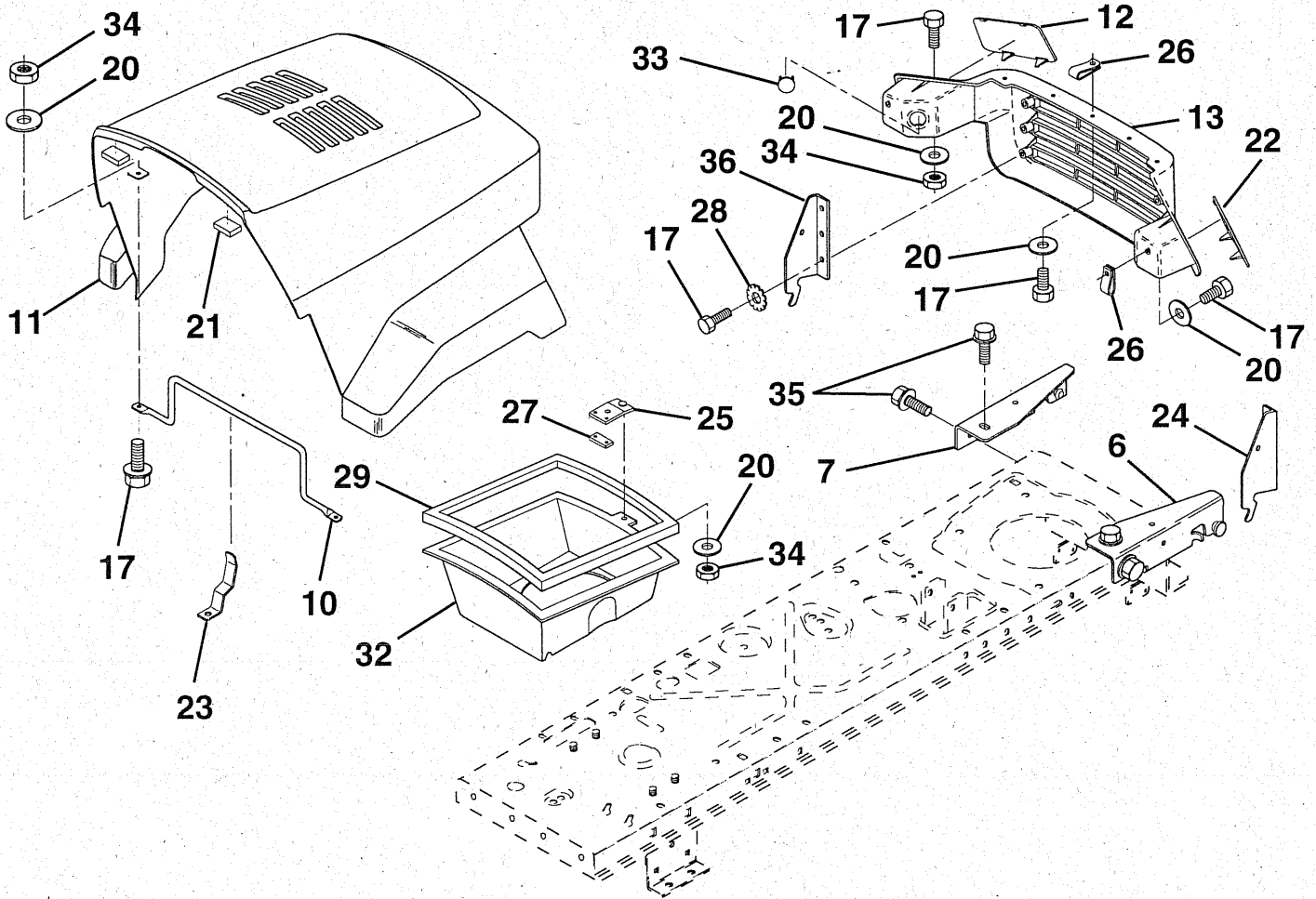
KEY NO.	PART NO.	DESCRIPTION	KEY NO.	PART NO.	DESCRIPTION
1	532142187	Cap, Fuel	12	532003720	Spring
2	532138394	Assembly, Dash & Fuel Tank	13	532126450	Clip, Height Adjustment
3	532123487	Clamp, Hose	14	532126115	Knob, Height Stop
4	532008544	Line, Fuel	15	532122023	Adjustment, Quadrant Height
5	532008548	Line, Fuel	16	532124346	Nut, Self-Threading 3/16-18
6	873640400	Nut, Hex, Keps 1/4-20	17	872110404	Bolt, Carriage 1/4-20 x 1/2 Gr. 5
7	532124996	Clip, Fuel Line	18	532130745	Support Assembly, Dash
8	819091216	Washer 9/32 x 3/4 x 16 Ga.	19	532134744	Brace, Cross
9	874760428	Bolt, Hex, Fin 1/4-20 x 1-3/4	20	817060408	Screw, Self-Tapping 1/4-20 x 1/2
10	819091413	Washer 11/32 x 11/16 x 16 Ga.	21	532134014	Plug Dome Black
11	532121249	Spacer, Split			

HARDWARE SHOWN LARGER FOR EASIER IDENTIFICATION

REPAIR PARTS

TRACTOR - - MODEL NUMBER LR120 (954830051B)

HOOD



KEY NO.	PART NO.	DESCRIPTION
6	532140051	Bracket Asm. Pivot Hood RH
7	532140050	Bracket Asm. Pivot Hood LH
10	532130850	Brace Hood
11	532140142	Hood
12	532130986	Lens LH
13	532130984	Grille
17	874780410	Bolt Fin Hex 1/4-20 x 5/8
20	819091016	Washer, Flat 1/4
21	532126938	Bumper Hood
22	532130985	Lens RH
23	532139969	Latch Hood

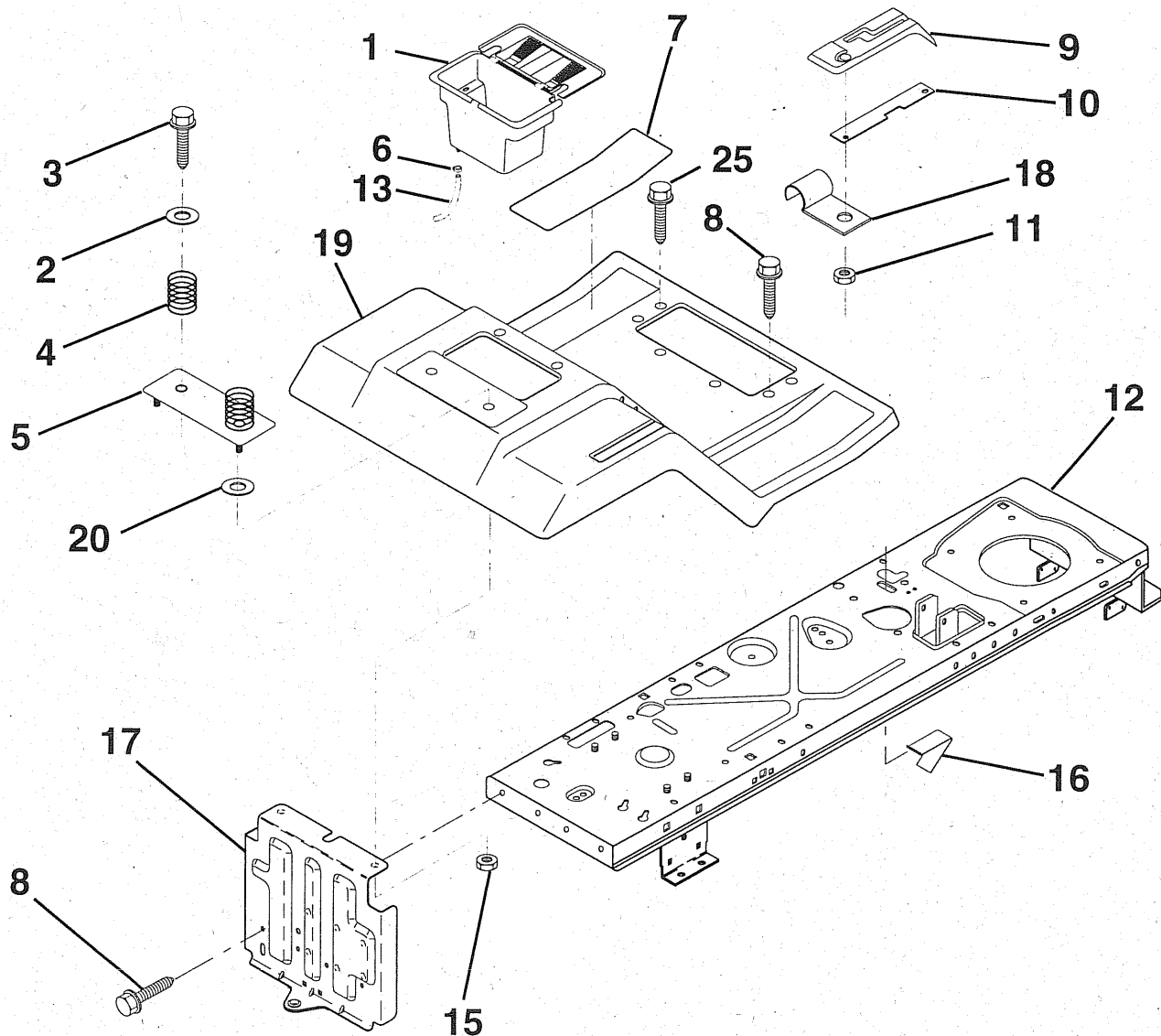
KEY NO.	PART NO.	DESCRIPTION
24	532142873	Bracket Pivot Hood RH
25	532131037	Clip Asm. Duct Air
26	532052921	Clip Tinnerman
27	532131028	Clip Tinnerman
28	811050400	Washer Lock Ext. Tooth
29	532120537	Strip Foam
32	532123840	Duct Air Hood
33	532131319	Plug, Socket, Light
34	873680400	Nut Crownlock 1/4-20 Unc
35	817490512	Screw Thdrol 5/16-28 x 3/4
36	532128445	Bracket Pivot Hood LH

HARDWARE SHOWN LARGER FOR EASIER IDENTIFICATION

REPAIR PARTS

TRACTOR -- MODEL NUMBER LR120 (954830051B)

FENDER/CHASSIS



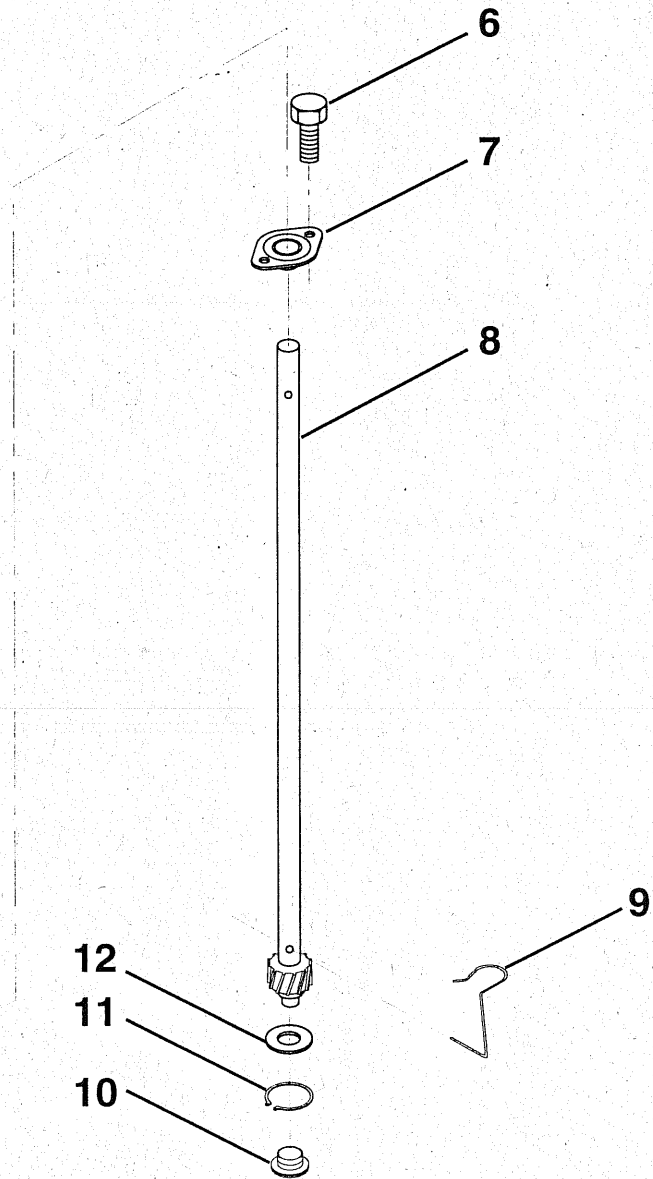
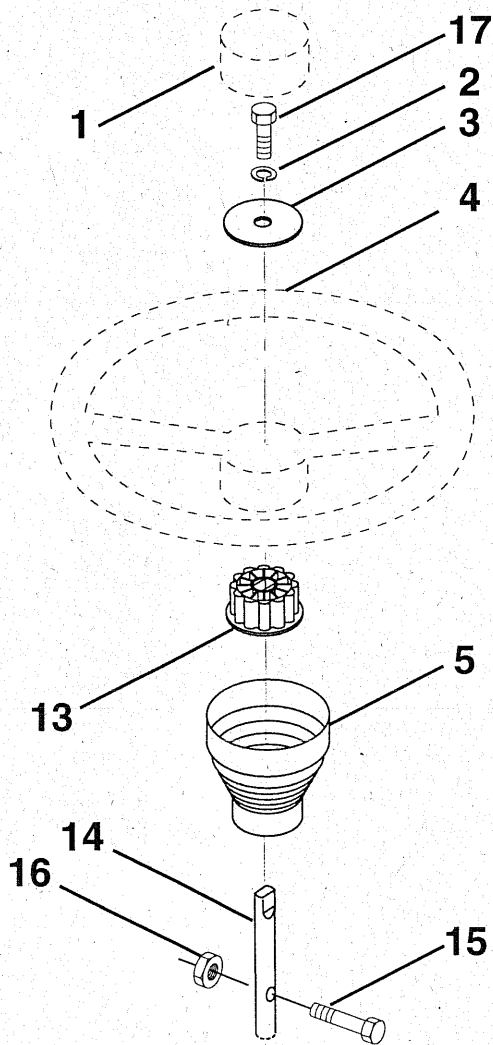
KEY NO.	PART NO.	DESCRIPTION	KEY NO.	PART NO.	DESCRIPTION
1	532144940	Case, Battery	11	532124346	Nut, Self-Threading, Wsher Hd 3/16
2	819132012	Washer 13/32 x 1-1/4 x 12 Ga.	12	532145190	Assembly, Frame
3	817490612	Screw, Hex Wsh. Thrdrol 3/8-16 x 3/4	13	532109238	Tube, Battery Drain
4	532124181	Spring, Compression, Seat	15	873640400	Nut, Keps 1/4-20 UNC
5	532125142	Plate, Asm. Battery	16	532141736	Switch Actuator
6	532109596	Clamp, Hose	17	532140782	Drawbar
7	532124144	Pad, Footrest	18	532126470	Clip, Insulated
8	317490512	Screw Thdrol 5/16-18 x 3/4	19	532141393	Fender/Footrest
9	532126995	Console, Shift Control	20	819091413	Washer 9/32 x 7/8 x 13 Ga.
10	532139783	Bar, Shift Lock	25	817190516	Scr-Hx Wsh Thd Rol 5/16-18 x 1

HARDWARE SHOWN LARGER FOR EASIER IDENTIFICATION

REPAIR PARTS

TRACTOR - - MODEL NUMBER LR120 (954830051B)

STEERING WHEEL



KEY NO.	PART NO.	DESCRIPTION
1	532124416	Insert, Wheel, Steering
2	810040600	Washer, Lock Hvy. Hlcl
3	819133808	Washer 12/32 x 2-3/8 x 8 Ga.
4	532124415	Wheel, Steering
5	532127396	Sleeve, Steering
6	817431008	Screw, Hex #10-16 x 1/2 TY-B
7	532102803	Bushing, Steering
8	532147391	Shaft, Steering
9	532124210	Clip, Steering

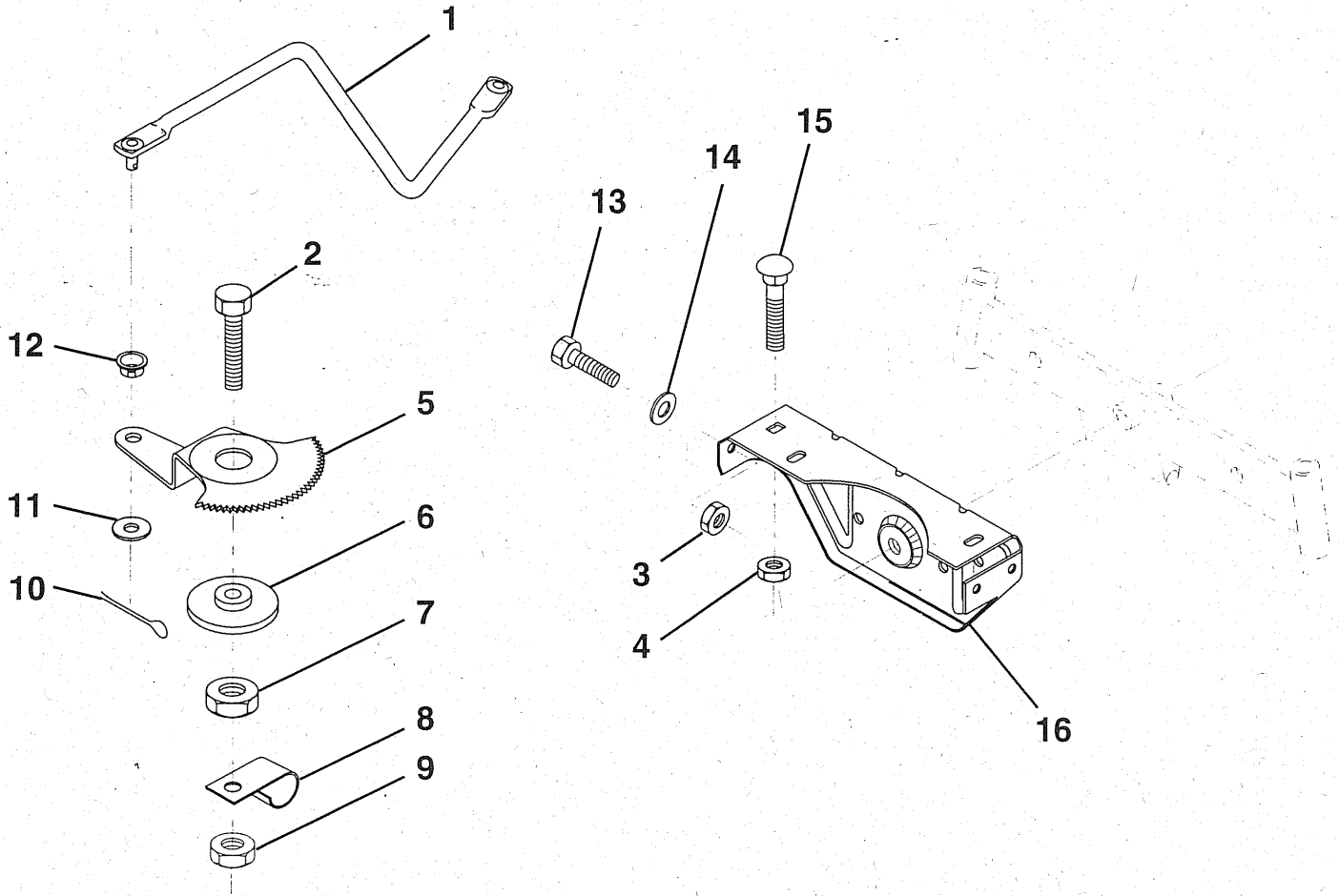
KEY NO.	PART NO.	DESCRIPTION
10	532123438	Bushing, Lower, Steering
11	812000045	Ring, Retaining
12	819211616	Washer 21/32 x 1 x 16 Ga.
13	532100711	Adaptor, Wheel, Steering
14	532153720	Extension Shaft
15	874780520	Bolt, Fin, Hex 5/16-18 UNC x 1-1/4
16	873800500	Nut Lock, Hex W/Ins 5/16-18 UNC
17	874780616	Bolt, Fin Hex 3/8-16 UNC x 1

HARDWARE SHOWN LARGER FOR EASIER IDENTIFICATION

REPAIR PARTS

TRACTOR -- MODEL NUMBER LR120 (954830051B)

SECTOR GEAR / AXLE SUPPORT



KEY NO.	PART NO.	DESCRIPTION
1	532132566	Link, Drag
2	874780828	Bolt, Fin Hex 1/2-13 x 1-3/4
3	873680500	Nut, Crownlock 5/16-18
4	873680600	Nut, Crownlock 3/8-16 UNC
5	532121926	Gear, Sector
6	532121927	Bushing
7	873030800	Nut, Heavy Hex Top Lock 1/2-13 UNC
8	532126472	Clip, Insulated

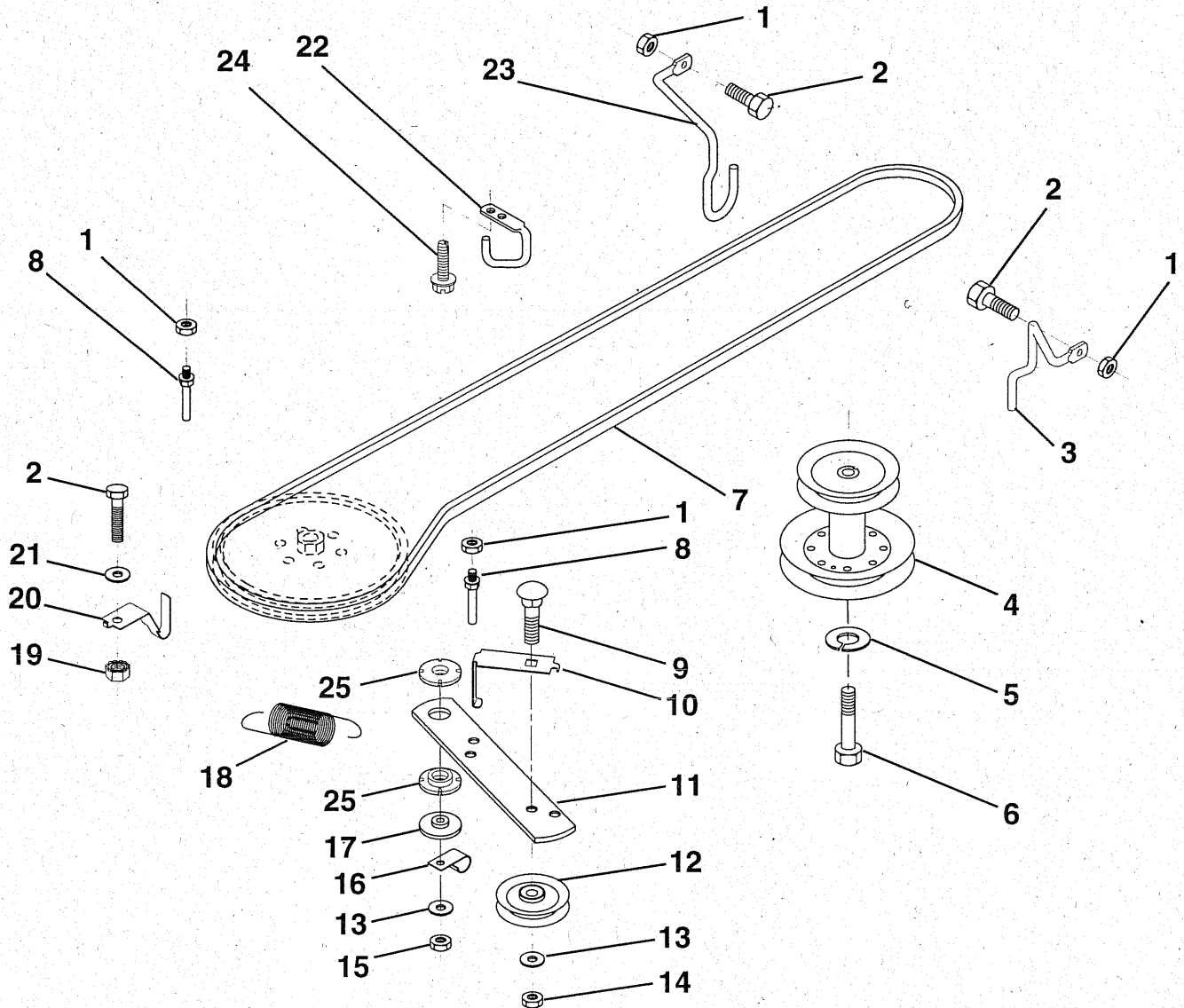
KEY NO.	PART NO.	DESCRIPTION
9	873680800	Nut, Crownlock 3/8-16
10	876020412	Pin, Cotter 1/8 x 3/4
11	819131316	Washer, 13/32 x 13/16 x 16 Ga.
12	532126847	Bushing
13	874760512	Bolt, Hex Hd. 5/16-18 UNC x 3/4
14	819111416	Washer 11/32 x 7/8 x 16 Ga.
15	872110606	Bolt, Carriage 3/8-16 UNC x 3/4
16	532137096	Support, Front Axle

HARDWARE SHOWN LARGER FOR EASIER IDENTIFICATION

REPAIR PARTS

TRACTOR - - MODEL NUMBER LR120 (954830051B)

GROUND DRIVE



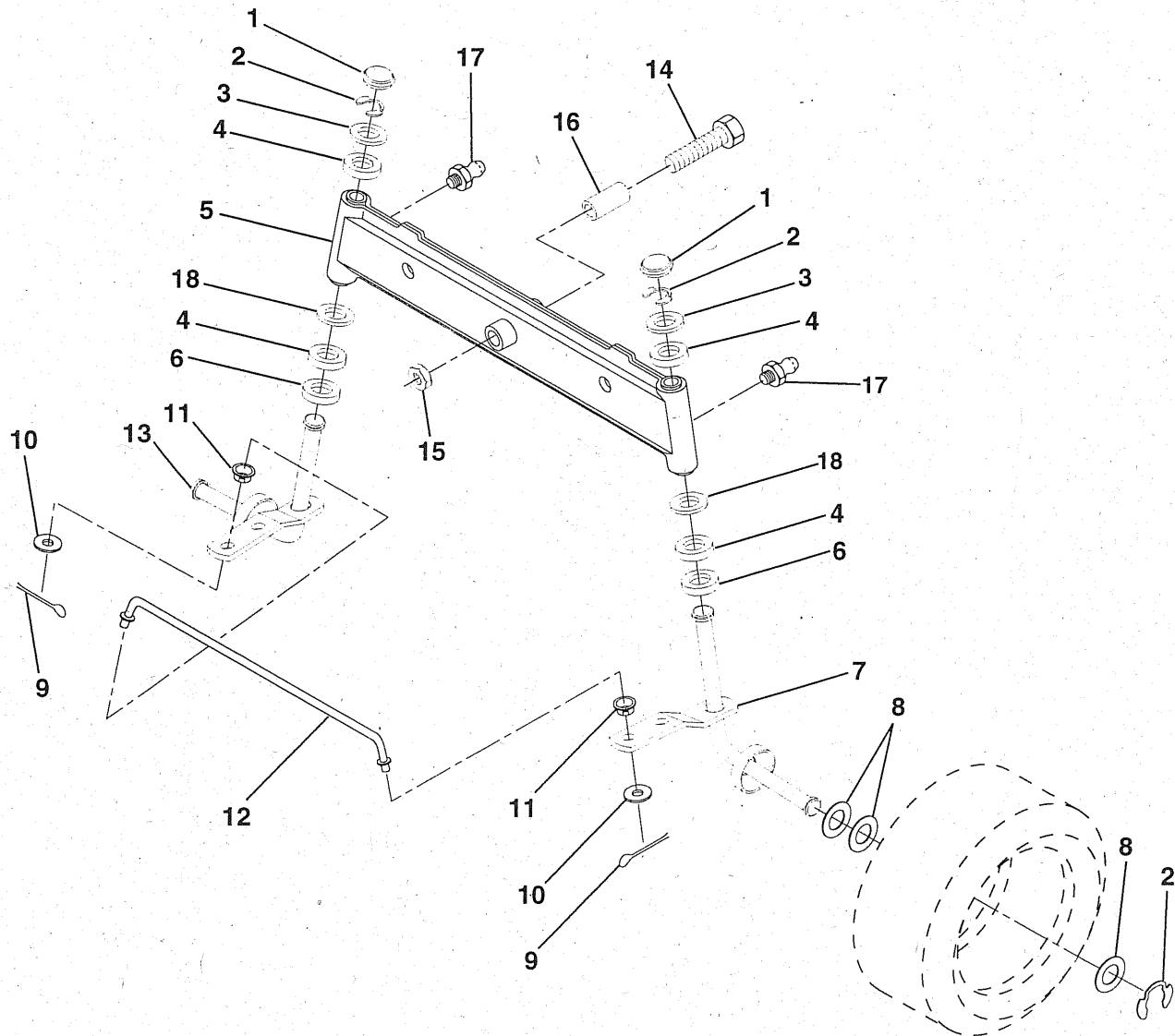
KEY NO.	PART NO.	DESCRIPTION	KEY NO.	PART NO.	DESCRIPTION
1	873680500	Nut, Crownlock 5/16-18	14	873930600	Nut, Centerlock 3/8-16 UNC
2	874760512	Bolt, Hex Hd 5/16-18 UNC x 3/4	15	873680600	Nut, Crownlock 3/8-16 UNC
3	532141342	Keeper, Mower Drive, R. H.	16	532126471	Clip, Insulated
4	532138029	Pulley, Engine	17	532150932	Spacer, Retainer
5	810040700	Washer, Lock 7/16	18	532131459	Spring Extension
6	871170744	Bolt Hex 7/16-20 Gr. 5	19	873510500	Nut, Keps 5/16-18 UNC
7	532124525	Traction, V-Belt Drive	20	532139919	Keeper, T/A Ground Drive Belt
8	532123405	Keeper, T/A Ground Drive Belt	21	819111016	Washer 11/32 x 5/8 x 16 Ga.
9	872140612	Bolt, Carr. 3/8-16 UNC x 1-1/2	22	532123404	Keeper, Frame Ground Drive Belt
10	532123396	Keeper, Belt Ground Drive Idler	23	532140916	Keeper, Mower Drive, L. H.
11	532150926	Arm, Ground Drive Clutch	24	817720408	Screw
12	532123674	Idler, Flat	25	532150935	Bushing, Nylon
13	819131316	Washer 13/32 x 13/16 x 16 Ga.			

HARDWARE SHOWN LARGER FOR EASIER IDENTIFICATION

REPAIR PARTS

TRACTOR - - MODEL NUMBER LR120 (954830051B)

FRONT AXLE



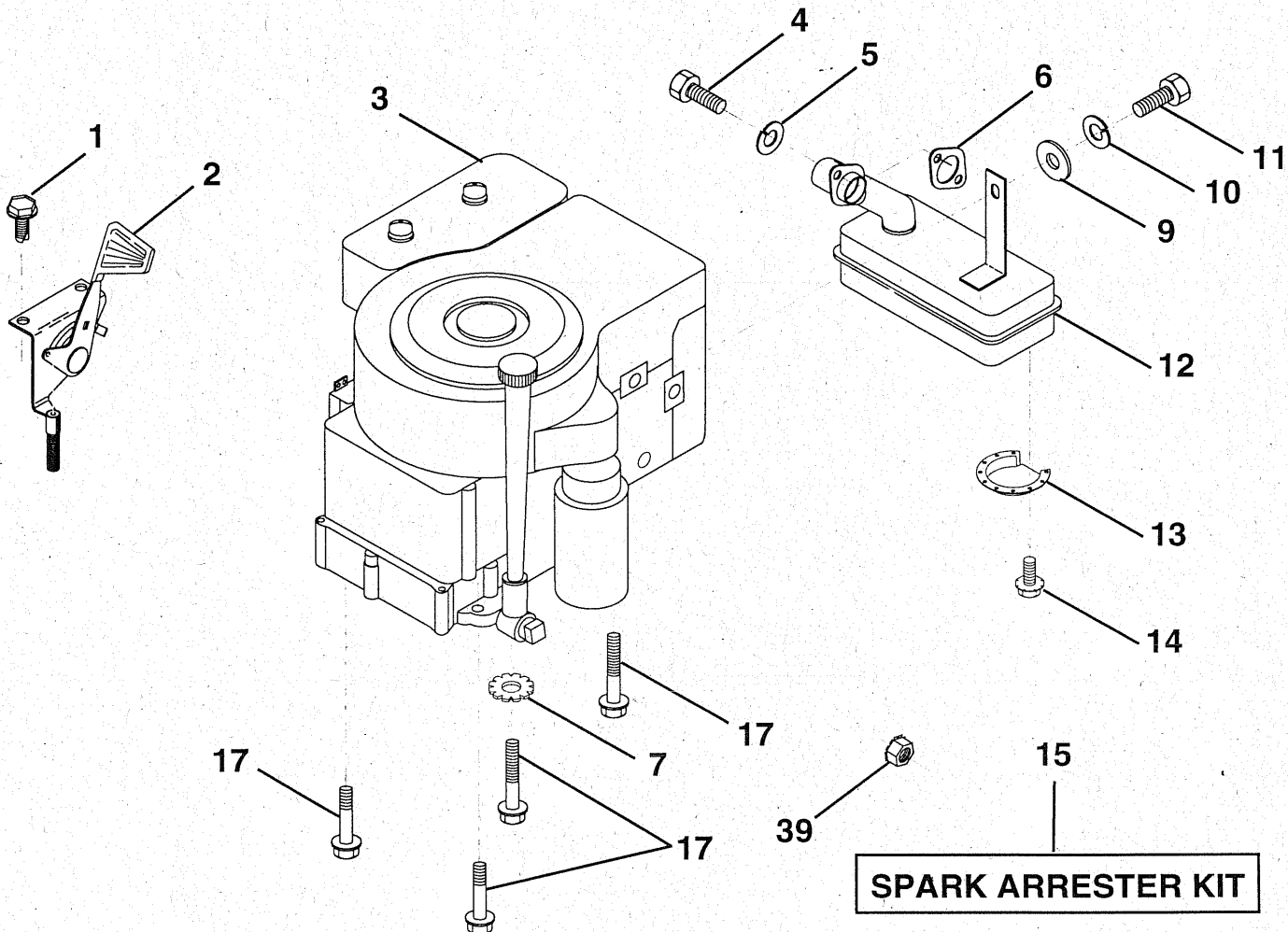
KEY NO.	PART NO.	DESCRIPTION	KEY NO.	PART NO.	DESCRIPTION
1	532121232	Cap, Spindle	10	819131316	Washer 13/32 x 13/16 x 16 Ga.
2	812000029	Ring, Clip	11	532126847	Bushing
3	532121748	Washer 25/32 x 1-5/8 x 16 Ga.	12	532130465	Rod, Tie
4	532124937	Nyliner	13	532137061	Spindle, L.H. Asm.
5	532142033	Axle, Front	14	874011056	Bolt Hex 5/1-11 x 3-1/2
6	532124931	Bearing, Thrust	15	873901000	Nut, Lock Flange 5/8-11
7	532137062	Spindle, R.H. Asm.	16	532110438	Spacer Bearing Axle
8	532121749	Washer 25/32 x 1-1/4 x 16 Ga.	17	532124836	Fitting Grease
9	876020412	Pin, Cotter 1/8 x 3/4	18	819272016	Washer 27/32 x 1-1/4 x 16 Ga.

HARDWARE SHOWN LARGER FOR EASIER IDENTIFICATION

REPAIR PARTS

TRACTOR - - MODEL NUMBER LR120 (954830051B)

ENGINE



KEY NO.	PART NO.	DESCRIPTION
1	817060408	Screw, Hex Thd. Cut 1/4-20 x 1/2
2	532132752	Control, Throttle
3	-----	Engine, Briggs and Stratton Model No. 289707
4	871070512	Screw, Hex, Cap 5/16-18 x 3/4
5	810040500	Washer, Lock Heavy Helical Spring 5/16
6	532272293	Gasket, Exhaust
7	811050600	Washer, Lock Ext. Tooth 3/8
9	819101216	Washer 5/16 x 3/4 x 16

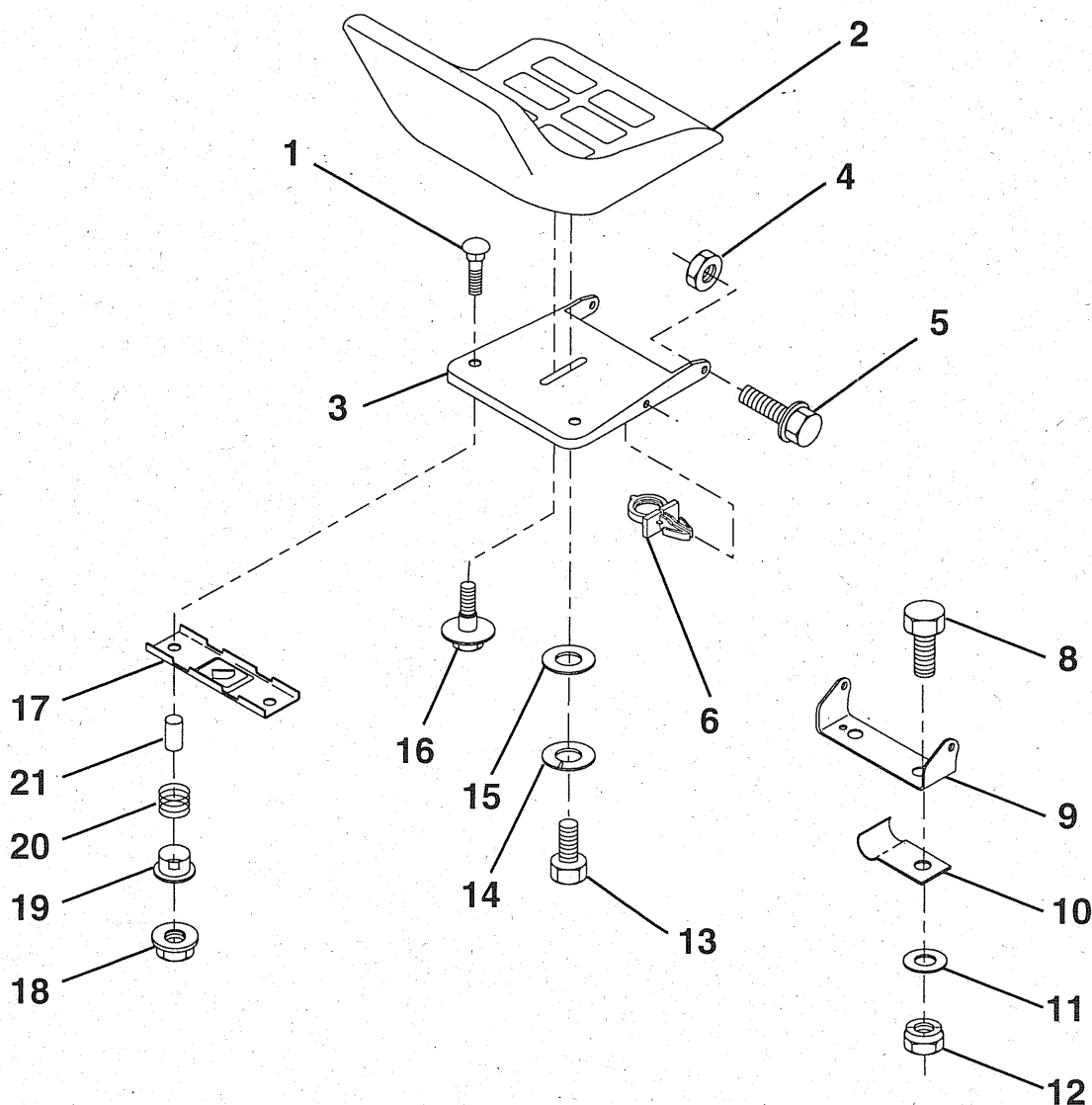
KEY NO.	PART NO.	DESCRIPTION
10	810040400	Washer, Lock Hvy Hlcl Spring 1/4
11	-----	Bolt, Hex Fin. (Order From Eng. Mfg.)
12	532137437	Muffler
13	532101326	Deflector, Muffler
14	817030808	Screw, Spiderloc Hex Hd #8 x 1/2 AB
15	532137180	Arrester, Spark (Optional equipment)
17	817490624	Screw, Hex Washer Head, Thdrol. 3/8-16 x 1-1/2
39	532128861	Nut, Flange 1/4-20

HARDWARE SHOWN LARGER FOR EASIER IDENTIFICATION

REPAIR PARTS

TRACTOR - - MODEL NUMBER LR120 (954830051B)

SEAT



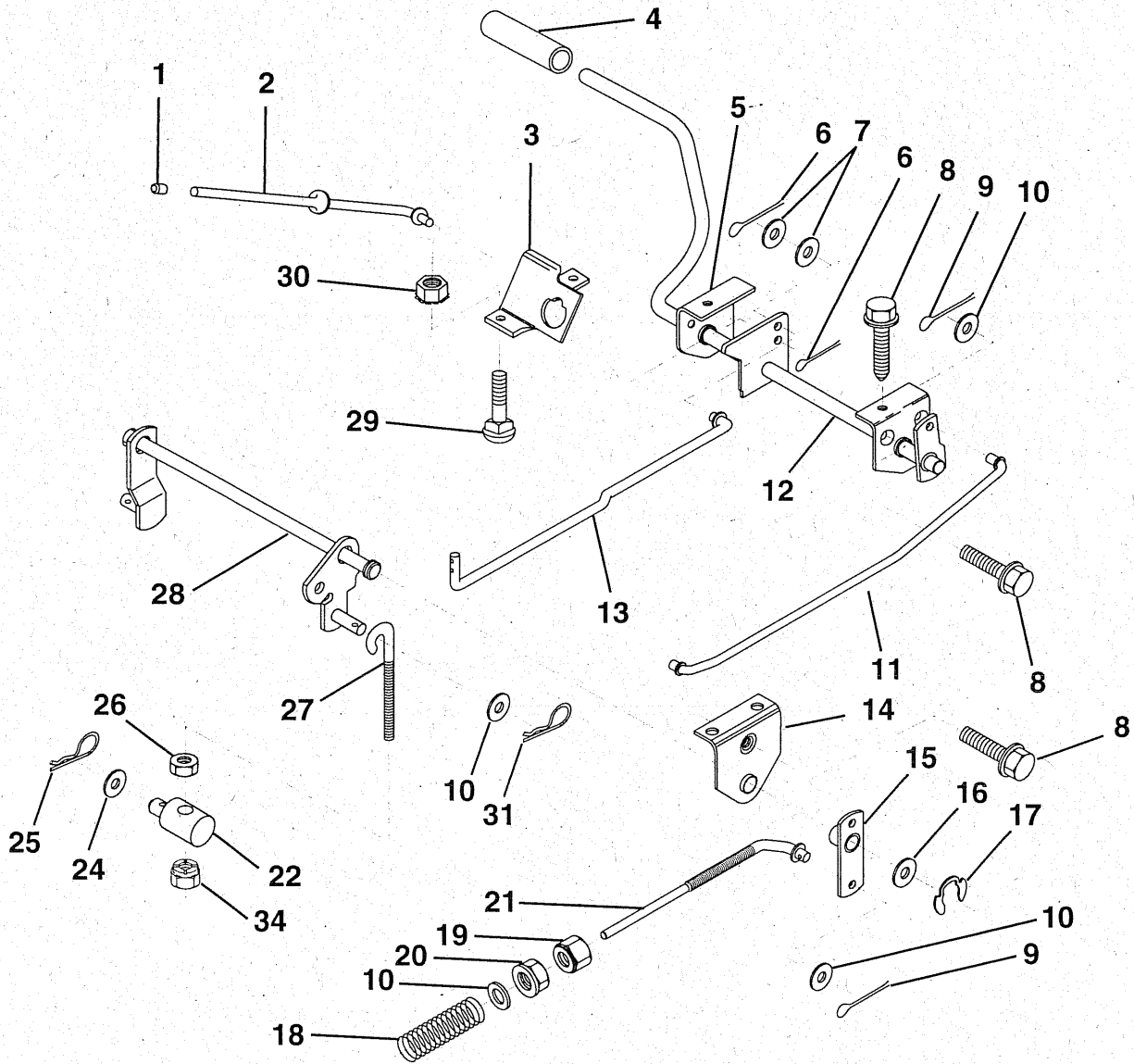
KEY NO.	PART NO.	DESCRIPTION	KEY NO.	PART NO.	DESCRIPTION
1	872050411	Bolt, Carriage 1/4-20 x 1-3/8	12	873800600	Nut, Crownlock 3/8-16 UNC
2	532130875	Seat	13	874780814	Bolt Hex 1/2-13 x 7/8
3	532140552	Pan, Seat	14	810040800	Washer Lock Hvy. Hlcl Spring 1/2
4	873800500	Nut, Crownlock 5/16-18	15	819171912	Washer, 17/32 x 1-3/16 x 12 Ga.
5	532139888	Bolt, Shoulder 5/16-18 UNC	16	532127018	Bolt, Shoulder
6	532145006	Clip, Push-In Hinged	17	532121246	Bracket, Switch, Mounting
8	874760616	Bolt, Fin Hex 3/8-16 UNC x 3/4	18	532123976	Nut, Hex Large Flange Lock
9	532140551	Bracket, Pivot Seat	19	532121248	Bushing, Snap
10	532126471	Clip, Insulated	20	532121250	Spring, Compression
11	819133210	Washer 12/32 x 2 x 10 Ga.	21	532134300	Spacer, Split 28 Id. x .88 Lg.

HARDWARE SHOWN LARGER FOR EASIER IDENTIFICATION

REPAIR PARTS

TRACTOR - - MODEL NUMBER LR120 (954830051B)

BRAKE / REAR MOWER LIFT ASSEMBLY



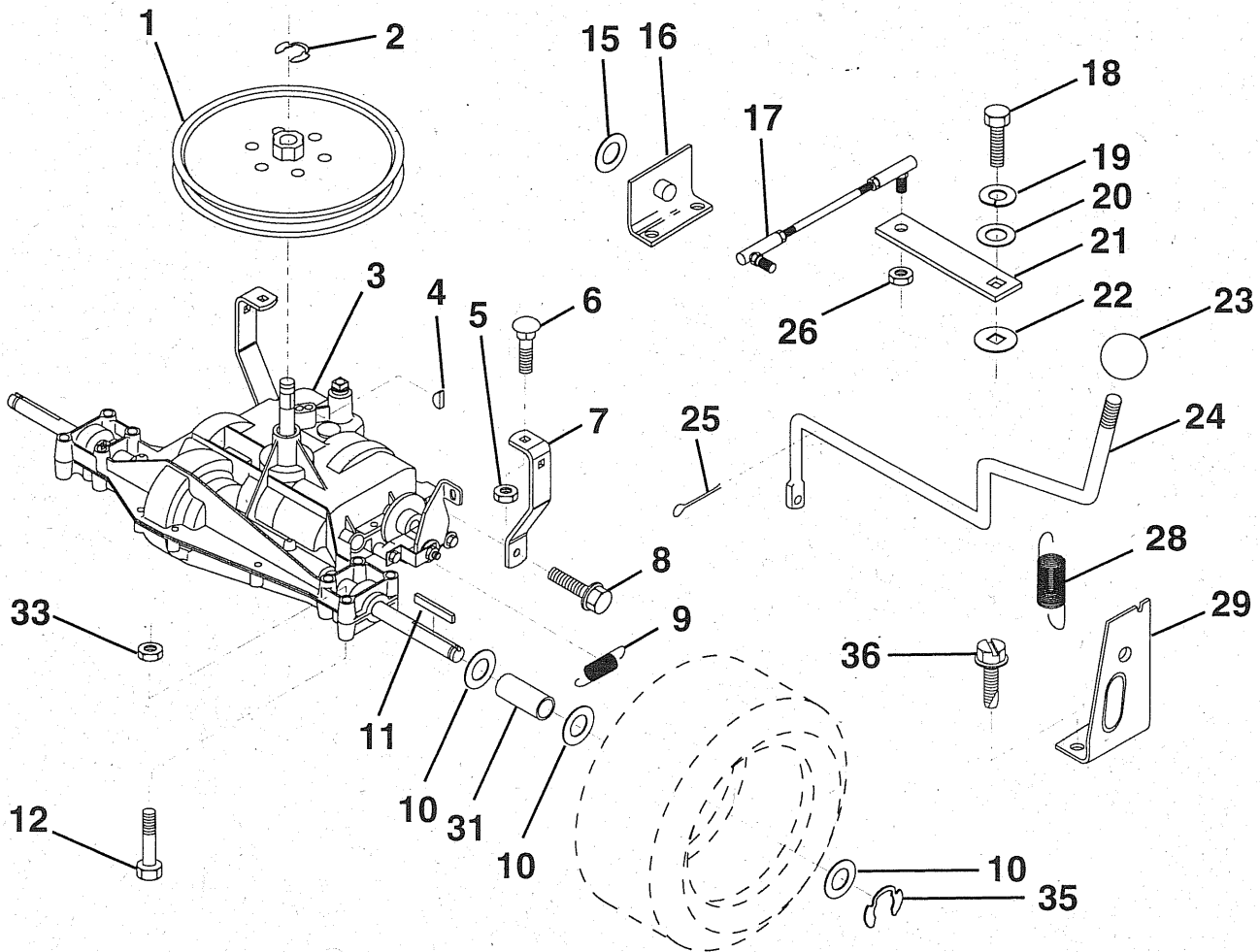
KEY NO.	PART NO.	DESCRIPTION	KEY NO.	PART NO.	DESCRIPTION
1	532071673	Cap, Plunger	16	819251816	Washer 25/32 x 1-1/8 x 16 Ga.
2	532123436	Rod, Parking Brake	17	812000034	Ring, Klip
3	532123437	Bracket, Parking Brake	18	532151332	Spring, Brake Rod
4	532008156	Cover, Pedal	19	873350600	Nut, Hex, Jam 3/8-16 UNC
5	532122504	Bracket, Clutch/Brake Pedal, L.H.	20	873800600	Nut, Lock, Hex W/Ins 3/8-16 UNC
6	876020312	Pin, Cotter 3/32 x 3/4	21	532131460	Rod, Rear Brake
7	819131016	Washer 13/32 x 5/8 x 16 Ga.	22	532144585	Trunnion, Lift
8	817490508	Screw, Hex, Thd. Roll. 5/16-18 x 1/2	24	819132012	Washer 13/32 x 1-1/4 x 12 Ga.
9	876020412	Pin, Cotter 1/8 x 3/4	25	532124961	Spring, Retainer
10	819131316	Washer 13/32 x 13/16 x 16 Ga.	26	873930600	Nut, Centerlock 3/8-16 UNC
11	532123543	Rod, Brake Front	27	532127369	Link, Threaded
12	532139933	Assembly, Clutch/Brake Pedal	28	532140776	Assembly, Rear Mower Lift
13	532123394	Rod, Clutch	29	872110506	Bolt, Carriage 5/16-18 UNC x 3/4
14	532121978	Bracket, Lift, Shaft	30	873510500	Nut, Keps 5/16-16 UNC
15	532133332	Assembly, Brake, Pivot, Arm	31	532124660	Retainer, Spring
			34	873680600	Nut, Crownlock 3/8-16 UNC

HARDWARE SHOWN LARGER FOR EASIER IDENTIFICATION

REPAIR PARTS

TRACTOR -- MODEL NUMBER LR120 (954830051B)

TRANSAXLE



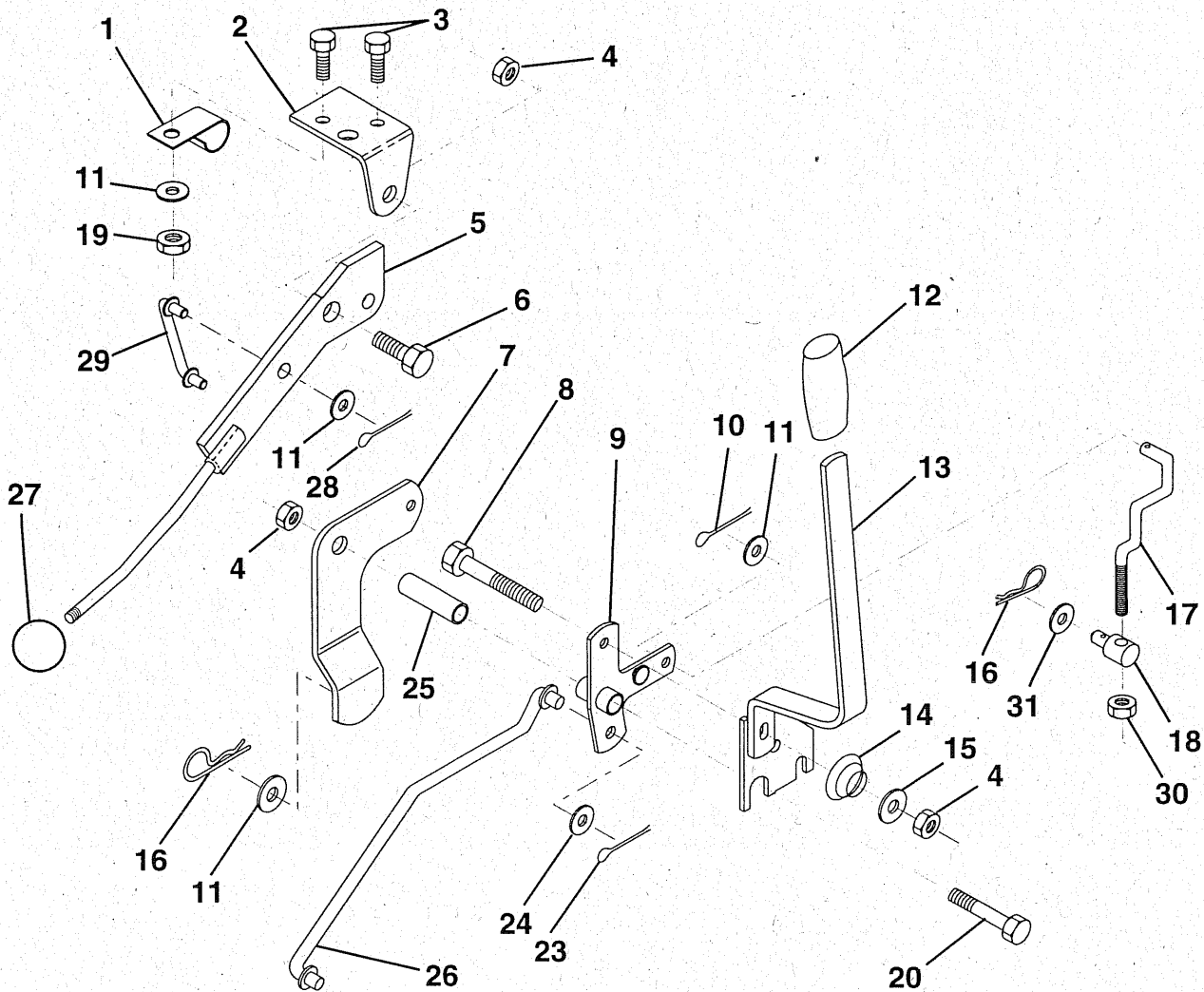
KEY NO.	PART NO.	DESCRIPTION	KEY NO.	PART NO.	DESCRIPTION
1	532123385	Pulley	18	874550412	Bolt, Fin Hex 1/4-28 UNF x 3/4 Gr. 8
2	812000028	Ring, Retainer	19	810040400	Washer, Lock 1/4
3	-----	Transaxle, Dana Model No. 4360-79	20	819091210	Washer 9/32 x 3/4 x 10 Ga.
4	532125096	Key, Woodruff #9	21	532123539	Arm, Shift
5	873680500	Nut, Crownlock 5/16-18	22	532105701	Washer, Shift Plate
6	872140506	Bolt, Carriage 5/16-18 UNC x 3/4	23	532106933	Knob, Rd 1/2-13
7	532123378	Strap, Torque	24	532128215	Rod Shift
8	817490512	Screw 5/16-18 x 3/4	25	876020416	Pin, Cotter 1/8 x 1
9	532146682	Spring, Brake	26	873810500	Locknut 5/16-24 UNF
10	532121749	Washer 25/32 x 1-1/4 x 16 Ga.	28	532128085	Extension, Spring
11	532123583	Key, Square	29	532128084	Support Handle Shift RH
12	874760644	Bolt, Fin Hex 3/8-16 Unc x 2-3/4	31	532109502	Spacer Axle
15	819171616	Washer 17/32 x 1 x 16 Ga.	33	873680600	Nut Crownlock 3/8-16 Unc
16	532124600	Support Handle Shift LH	35	812000001	E-Ring
17	532123632	Link, Shift	36	817720408	Screw

HARDWARE SHOWN LARGER FOR EASIER IDENTIFICATION

REPAIR PARTS

TRACTOR - - MODEL NUMBER LR120 (954830051B)

MOWER LIFT LEVER



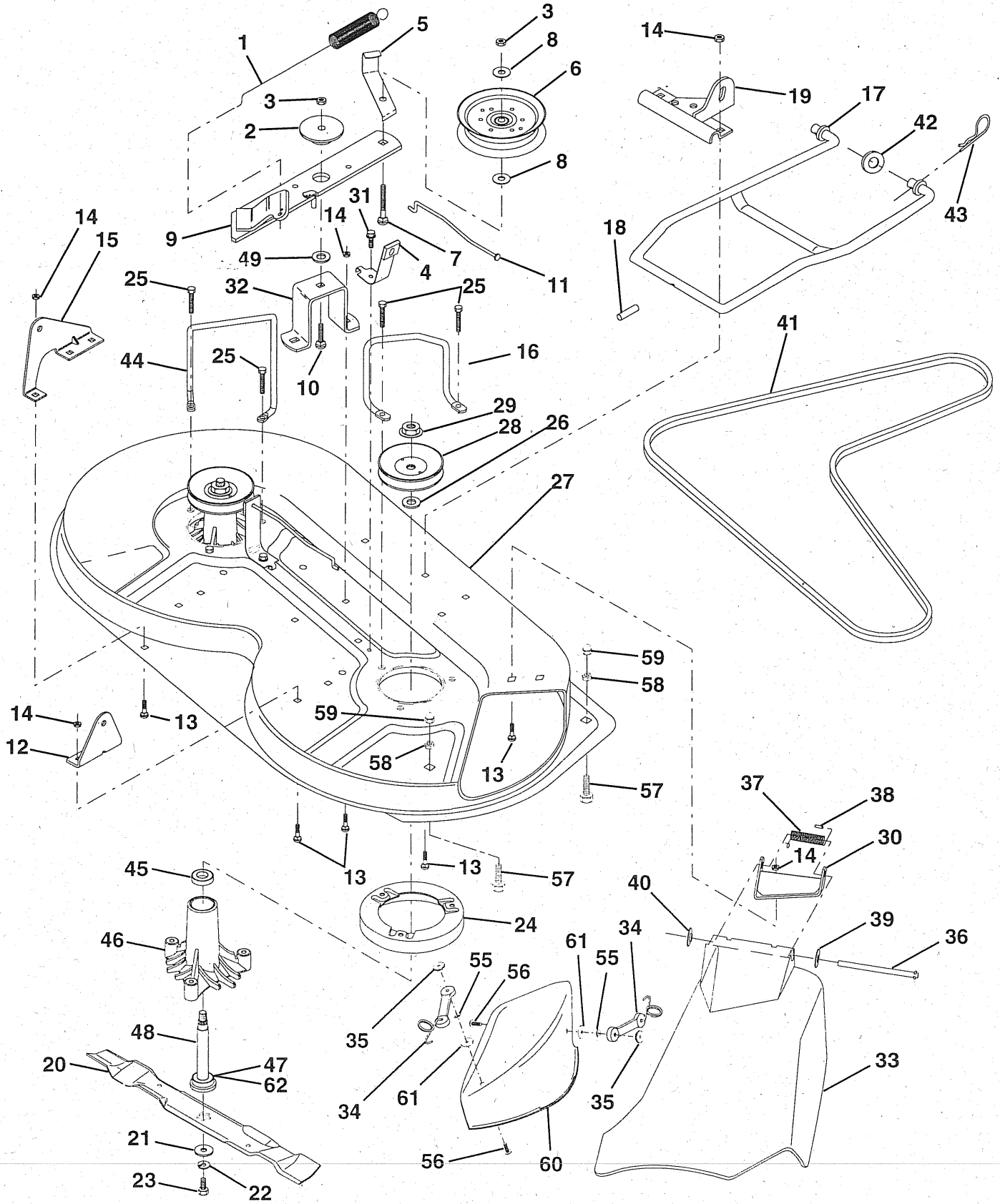
KEY NO.	PART NO.	DESCRIPTION	KEY NO.	PART NO.	DESCRIPTION
1	532126470	Clip, Insulated	15	819131212	Washer 13/32 x 3/4 x 12 Ga.
2	532122018	Bracket, Mower Clutch	16	532124961	Retainer, Spring
3	871110408	Bolt, Fin. Hex 1/4-20 UNC x 1/2	17	532127359	Link, Front Lift
4	873680600	Nut, Crownlock 3/8-16 UNC	18	532142028	Trunnion, Adj. 94
5	532145187	Assembly, Clutch Lever	19	873680400	Nut, Crownlock 1/4-20
6	532106451	Bolt, Shoulder	20	874760644	Bolt, Fin. Hex 3/8-16 UNC x 2-3/4
7	532135371	Assembly, Mower Clutch Arm	23	876020416	Pin, Cotter 1/8 x 1
8	874760636	Bolt, Hex 3/8-16 UNC x 2-1/4	24	819171612	Washer 17/32 x 1 x 16 Ga.
9	532121930	Bellcrank, Asm. Lift	25	532121933	Tube, Spacer
10	876024412	Pin, Cotter 1/8 x 3/4	26	532141470	Rod, Mower Lift
11	819131316	Washer 13/32 x 13/16 x 16 Ga.	27	532106932	Knob
12	532122027	Grip, Handle	28	876020312	Pin, Cotter 3/32 x 3/4
13	532139352	Assembly, Lift Handle	29	532131655	Link, Mower Clutch
14	532123496	Spring, Compression	30	873350600	Nut Hex Jam 3/8-16 Unc
			31	819132012	Washer 13/32 x 1-1/4 x 12

HARDWARE SHOWN LARGER FOR EASIER IDENTIFICATION

REPAIR PARTS

TRACTOR -- MODEL NUMBER LR120 (954830051B)

MOWER DECK



REPAIR PARTS

TRACTOR - - MODEL NUMBER LR120 (954830051B)

MOWER DECK

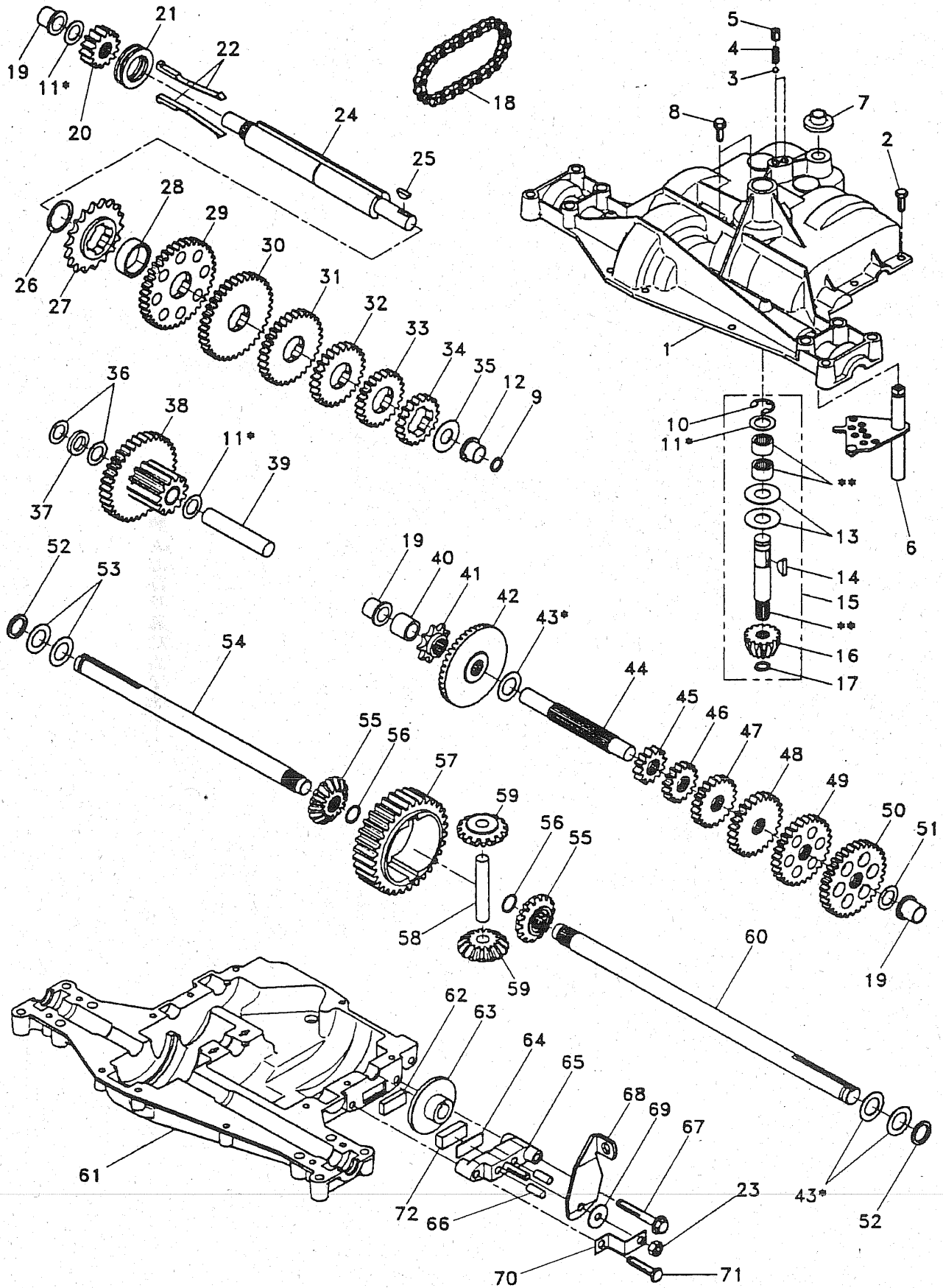
KEY NO.	PART NO.	DESCRIPTION	KEY NO.	PART NO.	DESCRIPTION
1	532140064	Spring, Mower Clutch	31	817490508	Screw, Hex Wsh. Thdrol. 5/16-18 x 1/2
2	532122052	Spacer, Retainer	32	532122051	Arm, Support Idler Mower
3	873680600	Nut, Crownlock 3/8-16	33	532131560	Deflector
4	532130840	Brake Asm.	34	532130758	Latch Hook
5	532131251	Guide, Belt Idler	35	532125004	Nut, Weld
6	532121316	Pulley, Flat Idler	36	532121980	Rod, Hinge
7	872110616	Bolt, Carr. 3/8-16 x 1-3/4 Gr. 5	37	532123713	Spring, Torsion Deflector
8	819131410	Washer 13/21 x 7/8 x 10 Ga.	38	532105304	Cap, Sleeve
9	532127744	Arm Asm., Idler Mower	39	819111016	Washer 11/32 x 5/8 x 16 Ga.
10	872140610	Bolt, Carriage 3/8-16 x 1-1/4	40	532110452	Pushnut
11	532130841	Rod, Brake	41	532131264	V-Belt
12	532127356	Bracket, Lift R. H. Rear	42	819171616	Washer 11/32 x 5/8 16 Ga.
13	872140506	Bolt, Carriage 5/16-18 x 3/4	43	532124660	Retainer, Spring
14	873680500	Nut, Crownlock 5/16-18	44	532140608	Keeper, L. H.
15	532127357	Bracket, Lift L. H. Rear	45	532110485	Bearing
16	532140609	Keeper, R. H.	46	532128774	Housing Mandrel Vented
17	532128508	Link, Asm. Mower Stabilizer	47	532129895	Bearing
18	532128511	Pin, Drive	48	532137645	Shaft, Mandrel (Includes Key # 47)
19	532127380	Bracket, Asm. Front	49	532133943	Washer, Hardened
20	532140101	Blade Mulching	55	810071000	Washer, Lock#10
21	532140296	Washer, Hard	56	871161010	Screw
22	810030600	Washer, Lock 3/8	57	874930516	Bolt, Hex 5/16-18 x 1
23	532850857	Bolt 3/8-24 x 1-1/4 Gr. 8	58	532063124	Locknut 5/16-18
24	532140329	Stripper	59	532133841	Acorn Nut 5/16-18
25	532138776	Screw Thdrol Hex Hd	60	532140102	Mulcher Plate
26	532129963	Washer .150 Thk.	61	819061216	Washer #10
27	532129983	Deck Assembly	--	532130794	Mandrel Asm. (Includes Key No.'s 22-23, 26, 29 and 45-48)
28	532129207	Pulley, Mandrel	--	532140979	Deck, Mower Complete (Std. Deck - Order separately mulcher plate components key nos. 50-58)
29	532137266	Nut, Flangelock 9/16			
30	532136631	Bracket, Asm. Deflector			

HARDWARE SHOWN LARGER FOR EASIER IDENTIFICATION

REPAIR PARTS

TRACTOR -- MODEL NUMBER LR120 (954830051B)

DANA TRANSAXLE -- MODEL NO. 4360-79



REPAIR PARTS

TRACTOR - - MODEL NUMBER LR120 (954830051B)

DANA TRANSAXLE - - MODEL NO. 4360-79

KEY PART NO.	NO.	DESCRIPTION	KEY PART NO.	NO.	DESCRIPTION
1	532142671	Housing, Upper	41	532105928	Sprocket, 9 Teeth (Reverse)
2	532002274	Screw, Self-Tapping, Large 1/4-20 x .734	42	532110084	Gear, Bevel, 42 Teeth
3	532134400	Ball, Detent	43	532134394	* Assembly, Kit, Shim .750 Shaft
4	532105904	Spring, Detent	44	532120473	Shaft, Drive
5	532105905	Screw, Set	45	532142678	Gear, Spur, 12 Teeth (1 st)
6	532138235	Kit, Shifter Assembly	46	532142679	Gear, Spur, 15 Teeth (2 nd)
7	532134399	Boot, Shifter	47	532120407	Gear, Spur, 20 Teeth (3 rd)
8	532134791	Screw, Self-Tapping, with Sealer	48	532106589	Gear, Spur, 25 Teeth (4 th)
9	532138241	Square Ring	49	532120408	Gear, Spur, 28 Teeth (5 th)
10	532142672	Ring, Retaining	50	532105937	Gear, Spur, 31 Teeth (6 th)
11	532134793	* Assembly, Kit, Shim .625 Shaft	51	532002226	Washer, Plain .632 x 1.00 x .060
12	532142673	Bearing, Flange	52	532134401	Washer, Neoprene
13	532120415	Washer, Plain .632 x 1.38 x .046	53	532002264	Washer, Plain .758 x 1.25 x .031
14	532142674	Key, Woodruff, #9	54	532120474	Axle, L.H.
15	532138234	Assembly, Kit, Input Shaft	55	532110081	Gear, Miter, 15 Teeth
16	532110078	Pinion, Bevel, 14 Teeth	56	532105941	Ring, Retaining
17	532105909	Ring, Retaining	57	532110071	Gear, Spur, 32 Teeth
18	532105910	Chain, 24 Pitches	58	532120952	Shaft, Cross
19	532105911	Bearing, Flange	59	532110082	Gear, Miter, 15 Teeth
20	532142675	Gear, Spur, 14 Teeth	60	532123908	Axle, R.H.
21	532138246	Collar, Clutch	61	532142680	Housing, Lower
22	532138236	Assembly, Kit, Clutch Keys	62	532120961	Puck, Friction
23	873810500	Locknut 5/16-24	63	532007294	Disc, Brake
24	532142676	Shaft, Intermediate	64	532108989	Spacer
25	532002244	Key, Woodruff, #61	65	532120953	Jaw, Brake
26	532105916	Ring, Retaining	66	532120954	Pin, Dowel
27	532120470	Sprocket, 18 Teeth (Reverse)	67	532134799	Screw, Self-Tapping, Large 5/16-18 x 2.25
28	532110070	Spacer	68	532138244	Lever, Actuating
29	532142677	Gear, Spur, 37 Teeth (1 st)	69	532108996	Washer, Plain .321 x 1.00 x .055
30	532142681	Gear, Spur, 35 Teeth (2 nd)	70	532120956	Bracket, Anti-Rotation
31	532120405	Gear, Spur, 30 Teeth (3 rd)	71	532106596	Screw, Self-Tapping, Large 5/16-18 x 1.44
32	532108980	Gear, Spur, 25 Teeth (4 th)	72	532120951	Puck, Friction
33	532120406	Gear, Spur, 22 Teeth (5 th)	73	532120416	Grease
34	532134796	Gear, Spur, 19 Teeth (6 th)			
35	532105925	Washer, Plain .640 x 1.37 x .061			
36	532002232	Washer, Plain .632 x 1.00 x .026			
37	532108978	Spacer .630 x 1.00 x .169			
38	532110079	Assembly, Gear, Combination of 12 Teeth and 35 Teeth			
39	532124639	Shaft, Idler			
40	532120472	Spacer .635 x .875 x .755			

* Use in combinations to maintain proper clearances

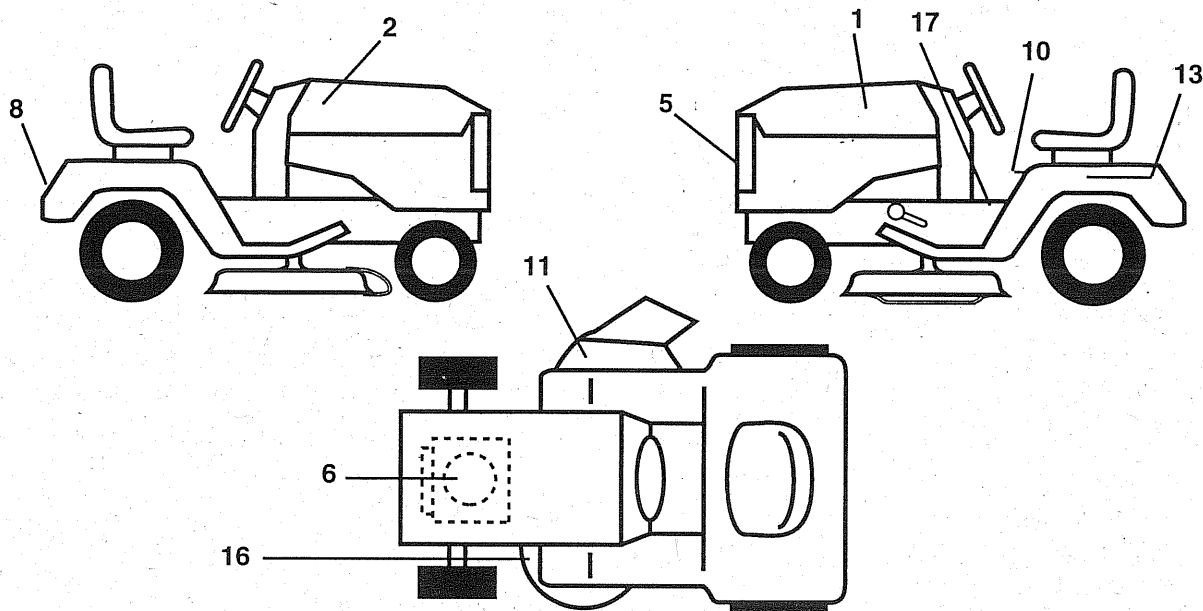
** Order Key No. 15

NOTE: All component dimensions given in U.S. inches
1 inch = 25.4 mm

REPAIR PARTS

TRACTOR -- MODEL NUMBER LR120 (954830051B)

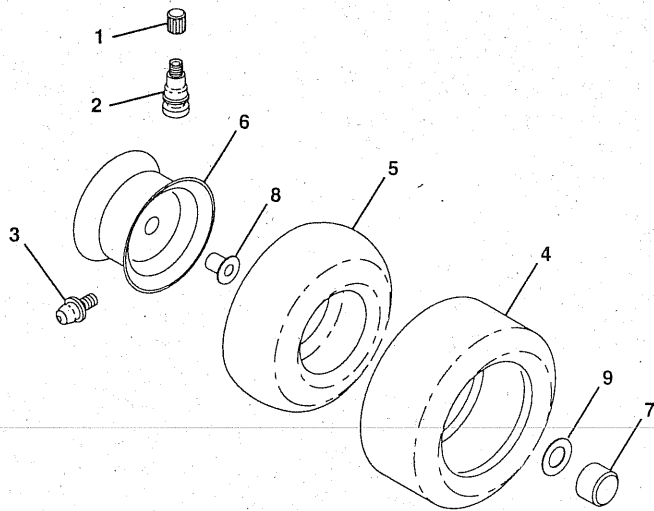
DECALS



KEY NO.	PART NO.	DESCRIPTION
1	532150621	Decal, Hood, L. H., Husqv.
2	532150620	Decal, Hood, R. H., Husqv.
5	532150616	Decal, Logo, Grill
6	532271967	Decal, Engine
8	532150617	Decal, Logo, Fender
10	532133795	Decal Caution Fender
11	532137259	Decal, Warning, Cut Finger, (Multi-Lang)

KEY NO.	PART NO.	DESCRIPTION
13	532146451	Decal, Caution, Battery
16	532136830	Decal, V-Belt Sch.
17	532138269	Decal, Inst. Oper.
--	532138311	Decal, Handle Lift (Lift Handle)
--	532153036	Manual, Owner's (English)
--	532153037	Manual, Owner's (French)
Available accessories not included with your tractor:		
--	MK360	Mulch Kit
--	C36	Grass Catcher

WHEELS & TIRES

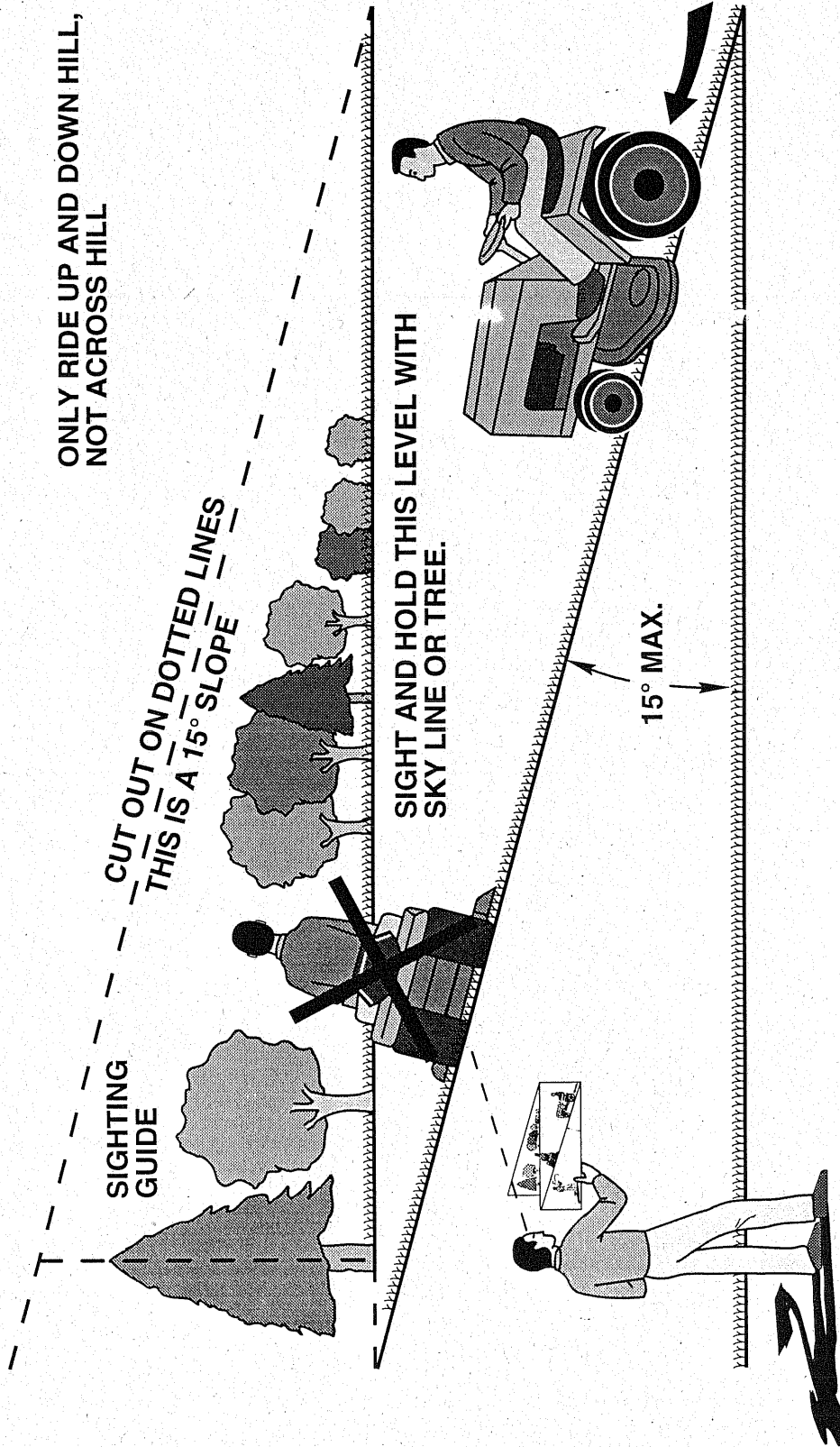


KEY NO.	PART NO.	DESCRIPTION
1	532059192	Cap, Valve
2	532065139	Stem, Valve
3	532124957	Fitting, Grease (Front Wheels Only)
4	532137422	Tire, Front
4	532132703	Tire, Rear
5	532059904	Tube, Front (Optional Service Items Only)
5	532008134	Tube, Rear (Optional Service Items Only)
6	532142039	Rim, Front
6	532141652	Rim, Rear
7	532104757	Cap Axle
8	532124959	Bearing Flange
9	532121748	Washer 25/32 x 1-5/8 x 16 Ga.
--	532144334	Sealant, Tire (10 oz. Tube)

SERVICE NOTES

SERVICE NOTES

SUGGESTED GUIDE FOR SIGHTING SLOPES FOR SAFE OPERATION



 Operate your Tractor up and down the face of slopes (not greater than 15°), never across the face. Make turns gradually to prevent tipping or loss of control. Exercise extreme caution when changing direction on slopes.

LIMITED WARRANTY
DANA CORPORATION
Spicer-Off-Highway Axle Division
Fredericktown, OH 43019

Dana Corporation, Spicer-Off-Highway Axle Division, will at its options, replace or repair without charge to the original purchaser for materials or labor, any part or parts manufactured by it and found upon examination to be DEFECTIVE IN MATERIAL AND OR WORKMANSHIP, if received for examination within TWO YEARS* from the date of original purchase.

All transportation charges on and damage or loss incurred in connection with the transportation of parts submitted for replacement or repair under this LIMITED WARRANTY shall be borne by the purchaser.

The EXPRESSED WARRANTY contained herein shall not apply to any damage resulting from accident, abuse, or neglect. Nor will this LIMITED WARRANTY apply to damage resulting from failure to follow the manufacturer's instructions for operation and maintenance nor from improper selection of a particular application.

The foregoing EXPRESSED WARRANTY IS IN LIEU OF ALL OTHER EXPRESSED WARRANTIES. Dana Corporation, Spicer-Off-Highway Axle Division, neither assumes nor authorizes any other persons, natural or corporate, to assume for it any obligations or liability in connection with or with respect to any parts covered hereunder.

DANA CORPORATION, SPICER-OFF-HIGHWAY AXLE DIVISION, HEREBY DISCLAIMS ANY AND ALL IMPLIED WARRANTIES, INCLUDING, BUT NOT LIMITED TO WARRANTIES OF MERCHANTABILITY AND FITNESS FOR ANY PARTICULAR PURPOSE, TO THE EXTENT THAT SUCH DISCLAIMER IS NOT FORBIDDEN BY ANY APPLICABLE LAW. ANY IMPLIED WARRANTIES, INCLUDING BUT NOT LIMITED TO WARRANTIES OF MERCHANTABILITY AND FITNESS FOR ANY PARTICULAR PURPOSE WHICH DANA CORPORATION, SPICER-OFF-HIGHWAY AXLE DIVISION, IS SO FORBIDDEN TO DISCLAIM BY ANY APPLICABLE LAW, ARE LIMITED TO THE PERIODS OF THE EXPRESSED WARRANTY. DANA CORPORATION, SPICER-OFF-HIGHWAY AXLE DIVISION, SHALL IN NO EVENT BE LIABLE FOR ANY CONSEQUENTIAL, INCIDENTAL OR SPECIAL DAMAGES AND OR EXPENSES.

Some states do not allow limitations on warranties so the above limitation may not apply to you. This Warranty gives you specific legal rights, and you may also have other rights which vary from state to state.

This warranty does not cover transmission units used for commercial purposes.

**FOR ASSISTANCE IN LOCATING THE NEAREST DANA AUTHORIZED SERVICE,
PLEASE CONTACT ONE OF THE DISTRIBUTORS LISTED BELOW:**

ATLANTIC POWER, INC.
650 Howard Avenue
Somerset, NJ 08873-1111
201-356-8400

ATLANTIC POWER, INC.
77 Green St., Route 106
Foxboro, MA 02035
508-543-6911

BEBCO AIR COOLED ENGINES
2221 Second Ave., South
Birmingham, AL 35233
205-251-4600

BILLIOU'S
1343 South Main Street
Porterville, CA 93257
209-784-4102

BLUEMONT COMPANY
11101 Frankstown Road
Pittsburgh, PA 15235
412-242-2522

CHILTON AIR COOLED ENGINES
319 4th Ave. South
Nashville, TN 37215
615-254-1634

DIXIE SALES CO., INC.
5920 Summit Ave.
Browns Summit, NC 27214
919-375-7500

GARDNER, INC.
1150 Chesapeake Ave.
Columbus, OH 43212
614-488-7951

GRAYSON COMPANY
215 Spring St.
Shreveport, LA 71162
318-222-3871

GULF COAST ENG.
4202 Russel Drive
Corpus Christi, TX
78048 512-888-6999

MARR BROTHERS, INC.
423 E. Jefferson
Dallas, TX 75203
214-948-7387

MEDART ENGINES & PARTS
100 Larkin Williams Ind. Ct.
Fenton, MO 63026
314-343-0505

MEDART ENGINES & PARTS
15500 W. 109Th St.
Lenexa, KS 66219
913-888-8828

RADCO DISTRIBUTORS INC.
4909 Victor Street
Jacksonville, FL 32207
904-733-7957

RBI CORPORATION
101 Cedar Ridge Rd.
Ashland, VA 23005
804-550-2210

SEDCO, INC.
4305 Steve Reynolds Blvd.
Norcross, GA 30093
404-925-4706

SPITZER INDUSTRIAL PROD.
6601 N. Washington
Thornton, CO 80229
303-287-3414

WISCONSIN MAGNETO, INC.
4727 N. Teutonia Ave.
Milwaukee, WI 53209
414-445-2800

CANADA

AIR COOLED ENGINE PARTS
474 Bank Street
Ottawa, Ontario K2P 1Z3
613-235-5111

AIR COOLED ENG. UNLIMITED
750 Oakdale Rd Unit 62
Downsview, Ontario M3N 2Z4
416-741-8006

ATELIERS BOND INC.
2875 Jasmin Street
St. Laurent, Quebec H9R 1H8
514-336-3660

ATLANTIC AIR COOLED ENGINES
21 Driscoll Crescent
Moncton, New Brunswick E1C 8N6
506-382-5961

DELL'S AUTO ELECTRIC LTD
1044 Cannon St. East
Hamilton, Ontario L7L 7V6
416-549-4107

LOBOMBARDS, LTD
55 St. Clair Street
Chatham, Ontario N7M 5K5
519-352-1060

LACHANCE & FILS INC.
505, 17e Rue
Quebec, Ontario G1J 2G8
418-647-4500

LAKESHORE AUTO ELEC. LTD
P.O. Box 367
Cobourg, Ontario K9A 4L1

LAMBERT ELECTRIC LTD
814 47th Street East
Saskatoon, Saskatchewan S7K 0X4
306-242-0370

MURDOCH'S SMALL ENGINES
370 Dunlop Street West
Barrie, Ontario L4N 1C2
705-726-1086

UNIVERSAL IGNITION & BATTERY INC.
105 Falcon Street
London, Ontario N5W 4Z2
416-453-8711

Husqvarna

WARRANTY STATEMENT

SECTION 1: LIMITED WARRANTY

Husqvarna Forest & Garden Company ("Husqvarna") warrants Husqvarna product to the original purchaser to be free from defects in material and workmanship from the date of purchase for the "Warranty Period" of the product as set forth below:

Lifetime Warranty: All tiller lines, trimmer shafts, ignition coils and modules on hand held product.

2 Year Warranty: Riding lawn mowers, yard and garden tractors, walk behind mowers, tillers, trimmers, brushcutters, snow blowers, handheld blowers, hedge trimmers, and electrical products for noncommercial, nonprofessional, noninstitutional or nonincome producing use, except as herein stated.

Emission control system components necessary to comply with CARB-95 and EPA regulations, except for those components which are part of engine systems manufactured by third party engine manufacturers for which the purchaser has received a separate warranty with product information supplied at time of purchase.

1 Year Warranty: Chain saws, clearing saws and backpack blowers for noncommercial, nonprofessional, noninstitutional or nonincome producing use. Trimmer models 120, 125, 122, 132, 225, 232 and 235 used for commercial purposes.

90 Day Warranty: Any Husqvarna product used for rental, commercial, institutional, professional or income producing use except as otherwise provided herein.

30 Day Warranty: Husqvarna bow guide and replacement parts.

SECTION 2: HUSQVARNA'S OBLIGATIONS UNDER THE WARRANTY

Husqvarna will repair or replace defective components without charge for parts or labor if a component fails because of a defect in material or workmanship during the warranty period.

SECTION 3: ITEMS NOT COVERED BY THIS WARRANTY

The following items are not covered by this warranty:

- (1) Normal customer maintenance items which become worn through normal regular use, including, but not limited to, belts, blades, blade adapters, bulbs, filters, guide bars, lubricants, rewind springs, saw chain, spark plugs, starter ropes and tines;
- (2) Natural discoloration of material due to ultraviolet light;
- (3) Engine and drive systems not manufactured by Husqvarna; these items are covered by the respective manufacturer's warranty as provided in writing with the product information supplied at the time of purchase; all claims must be sent to the appropriate manufacturer;
- (4) Lawn and garden attachments are covered by a third party which gives a warranty, all claims for warranty should be sent to the manufacturer; and
- (5) Emission Control System components necessary to comply with CARB-95 and EPA regulations which are manufactured by third party engine manufacturer.

SECTION 4: EXCEPTIONS AND LIMITATIONS

This warranty shall be inapplicable to defects resulting from the following:

- (1) Accident, abuse, misuse, negligence and neglect, including stale fuel, dirt, abrasives, moisture, rust, corrosion, or any adverse reaction due to incorrect storage or use habits;

- (2) Failure to operate or maintain the unit in accordance with the Owner's/Operator's manual or instruction sheet furnished by Husqvarna;
- (3) Alterations or modifications that change the intended use of the product or affects the product's performance, operation, safety, or durability, or causes the product to fail to comply with any applicable laws; or
- (4) Additional damage to parts or components due to continued use occurring after any of the above.

REPAIR OR REPLACEMENT AS PROVIDED UNDER THIS WARRANTY IS THE EXCLUSIVE REMEDY OF THE PURCHASER. HUSQVARNA SHALL NOT BE LIABLE FOR ANY INCIDENTAL OR CONSEQUENTIAL DAMAGES FOR BREACH OF ANY EXPRESS OR IMPLIED WARRANTY ON THESE PRODUCTS EXCEPT TO THE EXTENT PROHIBITED BY APPLICABLE LAW. ANY IMPLIED WARRANTY OF MERCHANTABILITY OR FITNESS FOR A PARTICULAR PURPOSE ON THESE PRODUCTS IS LIMITED IN DURATION TO THE WARRANTY PERIOD AS DEFINED IN THE LIMITED WARRANTY STATEMENT. HUSQVARNA RESERVES THE RIGHT TO CHANGE OR IMPROVE THE DESIGN OF THE PRODUCT WITHOUT NOTICE, AND DOES NOT ASSUME OBLIGATION TO UPDATE PREVIOUSLY MANUFACTURED PRODUCTS.

Some states do not allow the exclusion of incidental or consequential damages, or limitations on how long an implied warranty lasts, so the above limitations or exclusions may not apply to you. This warranty gives you specific legal rights, and you may also have other rights which vary from state to state.

SECTION 5: CUSTOMER RESPONSIBILITIES

The product must exhibit reasonable care, maintenance, operation, storage and general upkeep as written in the maintenance section of the Owner's/Operator's manual. Should an operational problem or failure occur, the product should not be used, but delivered as is to an authorized Husqvarna dealer for evaluation. Proof of purchase, as explained in section 6, rests solely with the customer.

SECTION 6: PROCEDURE TO OBTAIN WARRANTY CONSIDERATION

It is the Owner's and Dealer's responsibility to make certain that the Warranty Registration Card is properly filled out and mailed to Husqvarna Forest & Garden Company. This card should be mailed within ten (10) days from the date of purchase in order to confirm the warranty and to facilitate post-sale service.

Proof of purchase must be presented to the authorized Husqvarna dealer in order to obtain warranty service. This proof must include date purchased, model number, serial number, and complete name and address of the selling dealer.

To obtain the benefit of this warranty, the product believed to be defective must be delivered to an authorized Husqvarna dealer in a timely manner, no later than thirty (30) days from date of the operational problem or failure. The product must be delivered at the owner's expense. Pick-up and delivery charges are not covered by this warranty. An authorized Husqvarna dealer can be normally located through the "Yellow Pages" of the local telephone directory or by calling 1-800-HUSKY62 for a dealer in your area.

HUSQVARNA FOREST & GARDEN COMPANY
9006-J PERIMETER WOODS DRIVE
CHARLOTTE, NC 28216

