



SPARE PARTS LIST

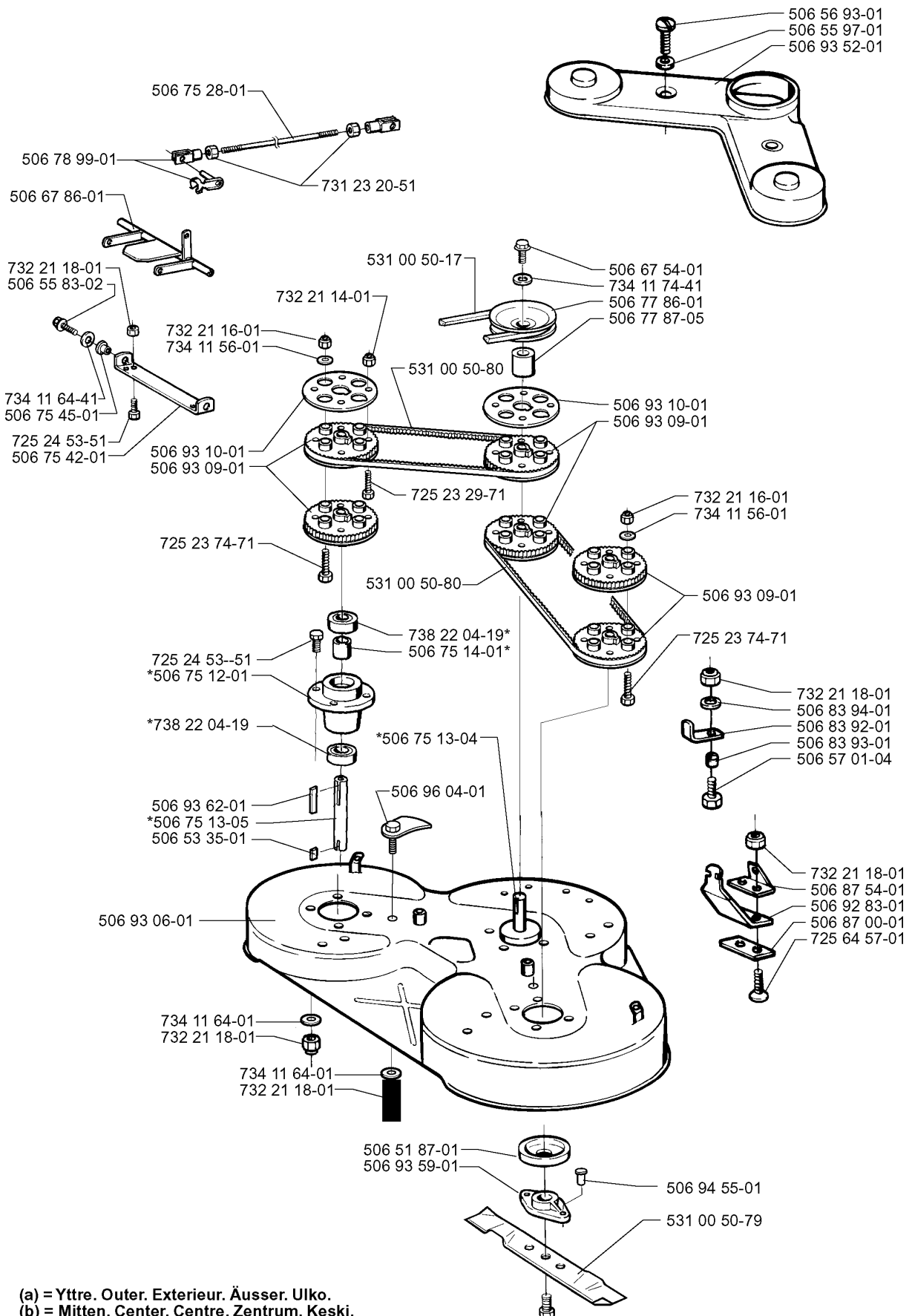
RIDERS

RIDER 970, 1997-03

R

*compl 506 75 11-05 (a)
*compl 506 75 11-04 (b)

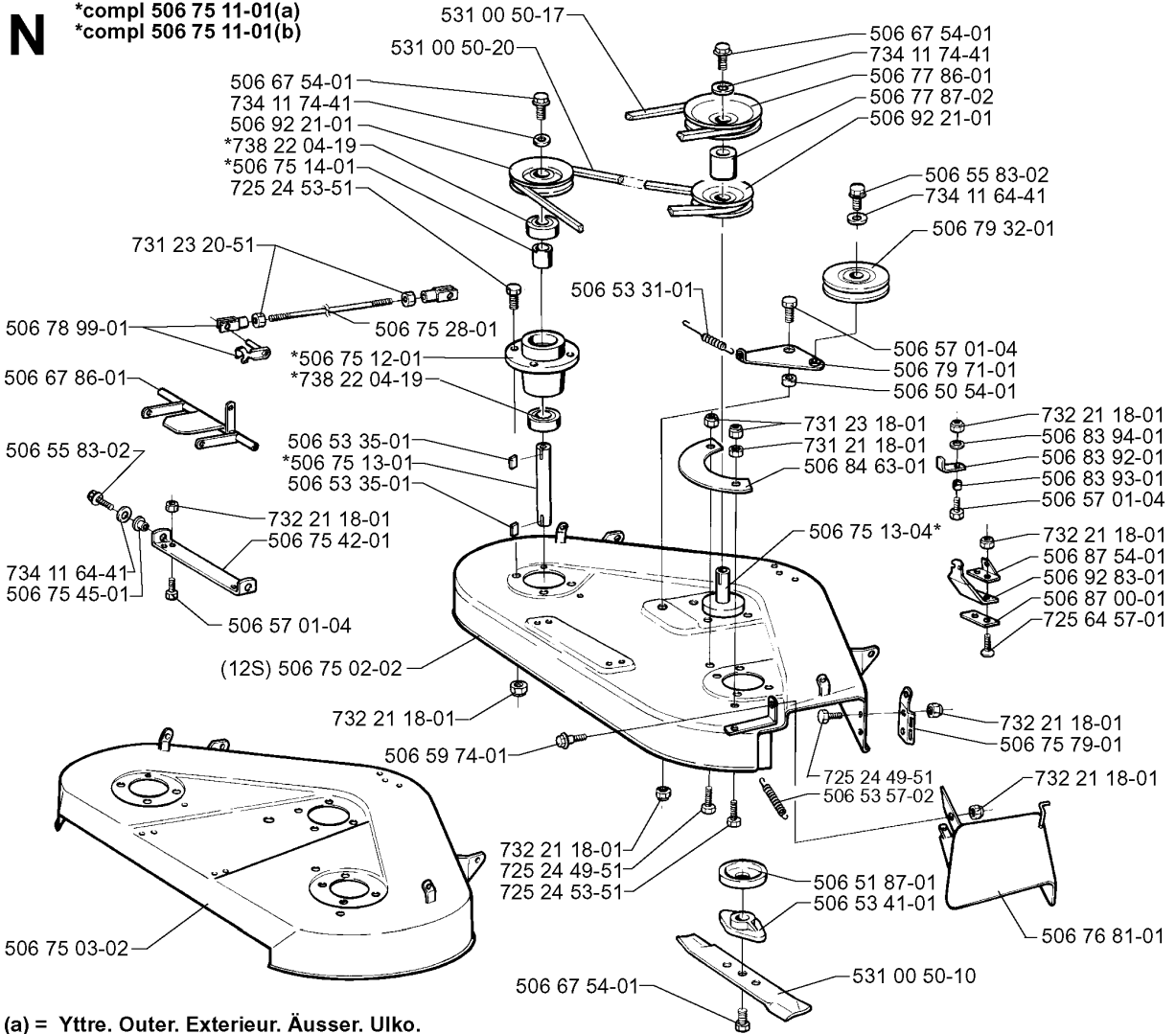
BIOCLIP



103CM CUTTING DECK

RIDER 970, 1997-03

Part No	Description	Remark	QTY KIT
506 51 87-01	DUST COVER		1
506 53 35-01	PARALLEL KEY		1
506 55 83-02	SCREW EHHFT		1
506 55 97-01	WASHER		1
506 56 93-01	SCREW		1
506 57 01-04	SCREW EHHFM		1
506 67 54-01	SCREW EHHFM		1
506 67 86-01	LIFTING YOKE		1
506 75 11-04	BLADE HOUSING ASSY	MITTEN.	1
506 75 11-05	BLADE HOUSING ASSY	YTTRE.	1
506 75 12-01	BEARING HOUSING		1
506 75 13-04	SHAFT		1
506 75 13-05	SHAFT		1
506 75 14-01	SPACER		1
506 75 28-01	PUSH ROD		1
506 75 42-01	BRACKET		1
506 75 45-01	BUSHING		1
506 77 86-01	PULLEY		1
506 77 87-05	SPACER		1
506 78 99-01	VINKELLÄNK DIN 71802		1
506 83 92-01	LATCH		1
506 83 93-01	SPACING SLEEVE		1
506 83 94-01	SPRING WASHER		1
506 87 00-01	UNDERLÄGGSPLATTA		1
506 87 54-01	BRACKET		1
506 92 83-01	BRACKET		1
506 93 06-01	DECK SHELL ASSY		1
506 93 09-01	KUGGREMSKIVA		1
506 93 09-01	KUGGREMSKIVA		1
506 93 09-01	KUGGREMSKIVA		1
506 93 10-01	FLANGE		1
506 93 10-01	FLANGE		1
506 93 52-01	KUGGREMKÅPA		1
506 93 59-01	BRACKET		1
506 93 62-01	WEDGE		1
506 94 55-01	PIN RETAINING SCREW		1
506 96 04-01	ECCENTRIC		1
531 00 50-17	BELT		1
531 00 50-79	BLADE		1
531 00 50-80	BELT		1
531 00 50-80	BELT		1
725 23 29-71	SCREW EHHM		1
725 23 74-71	SCREW EHHM		1
725 23 74-71	SCREW EHHM		1
725 24 53-51	SCREW EHHM		1
725 24 53-51	SCREW EHHM		1
725 64 57-01	SCREW IHCSFM		1
731 23 20-51	HEXAGON NUT		1
732 21 14-01	LOCK NUT		1
732 21 16-01	NUT		1
732 21 16-01	NUT		1
732 21 18-01	LOCK NUT		1
732 21 18-01	LOCK NUT		1
732 21 18-01	LOCK NUT		1
732 21 18-01	LOCK NUT		1
732 21 18-01	LOCK NUT		1
734 11 56-01	WASHER		1
734 11 56-01	WASHER		1
734 11 64-01	WASHER		1
734 11 64-01	WASHER		1
734 11 64-41	WASHER		1
734 11 74-41	WASHER		1
738 22 04-19	BALL BEARING		1
738 22 04-19	BALL BEARING		1



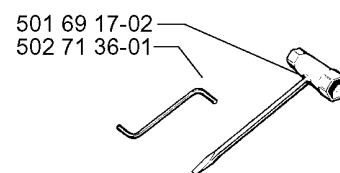
(a) = Yttre. Outer. Exterieur. Äusser. Ulko.
(b) = Mitten. Centre. Centre. Zentrum. Keski.

97CM CUTTING DECK

RIDER 970, 1997-03

Part No	Description	Remark	QTY KIT
506 50 54-01	SPACER RING		1
506 51 87-01	DUST COVER		1
506 53 31-01	SPRING		1
506 53 35-01	PARALLEL KEY		1
506 53 35-01	PARALLEL KEY		1
506 53 41-01	BLADE		1
506 53 57-02	SPRING		1
506 55 83-02	SCREW EHHFT		1
506 55 83-02	SCREW EHHFT		1
506 57 01-04	SCREW EHHFM		1
506 57 01-04	SCREW EHHFM		1
506 57 01-04	SCREW EHHFM		1
506 59 74-01	SCREW EHHFM		1
506 67 54-01	SCREW EHHFM		1
506 67 54-01	SCREW EHHFM		1
506 67 54-01	SCREW EHHFM		1
506 67 86-01	LIFTING YOKE		1
506 75 02-02	DECK SHELL ASSY	12S	1
506 75 03-02	DECK SHELL ASSY		1
506 75 11-01	BLADE HOUSING ASSY	YTTRE.	1
506 75 11-02	BLADE HOUSING ASSY	Wrong Part No in illustration	1
506 75 12-01	BEARING HOUSING		1
506 75 13-01	SHAFT		1
506 75 13-04	SHAFT		1
506 75 14-01	SPACER		1
506 75 28-01	PUSH ROD		1
506 75 42-01	BRACKET		1
506 75 45-01	BUSHING		1
506 75 79-01	BRACKET		1
506 76 81-01	SHIELD		1
506 77 86-01	PULLEY		1
506 77 87-02	SPACER		1
506 78 99-01	VINKELLÄNK DIN 71802		1
506 79 32-01	BELT TENSIONER WHEEL		1
506 79 71-01	SPÄNNARM KPL.		1
506 83 92-01	LATCH		1
506 83 93-01	SPACING SLEEVE		1
506 83 94-01	SPRING WASHER		1
506 84 63-01	COVER		1
506 87 00-01	UNDERLÄGGSPLATTA		1
506 87 54-01	BRACKET		1
506 92 21-01	PULLEY		1
506 92 21-01	PULLEY		1
506 92 83-01	BRACKET		1
531 00 50-10	MOWER BLADE		1
531 00 50-17	BELT		1
531 00 50-20	BELT		1
725 24 49-51	SCREW		1
725 24 49-51	SCREW		1
725 24 53-51	SCREW EHHM		1
725 24 53-51	SCREW EHHM		1
725 64 57-01	SCREW IHCSFM		1
731 21 18-01	NUT		1
731 23 18-01	HEXAGON NUT		1
731 23 20-51	HEXAGON NUT		1
732 21 18-01	LOCK NUT		1
732 21 18-01	LOCK NUT		1
732 21 18-01	LOCK NUT		1
732 21 18-01	LOCK NUT		1
732 21 18-01	LOCK NUT		1
732 21 18-01	LOCK NUT		1
732 21 18-01	LOCK NUT		1
734 11 64-41	WASHER		1
734 11 64-41	WASHER		1
734 11 74-41	WASHER		1
734 11 74-41	WASHER		1
738 22 04-19	BALL BEARING		1
738 22 04-19	BALL BEARING		1

Q Leverans endast som reservdel
Delivery as spare part only
Nur als Ersatzteil lieferbar
Livable seulement comme pièce de rechange
Solo como repuesto
Zasilá se jenom jako náhradní díl

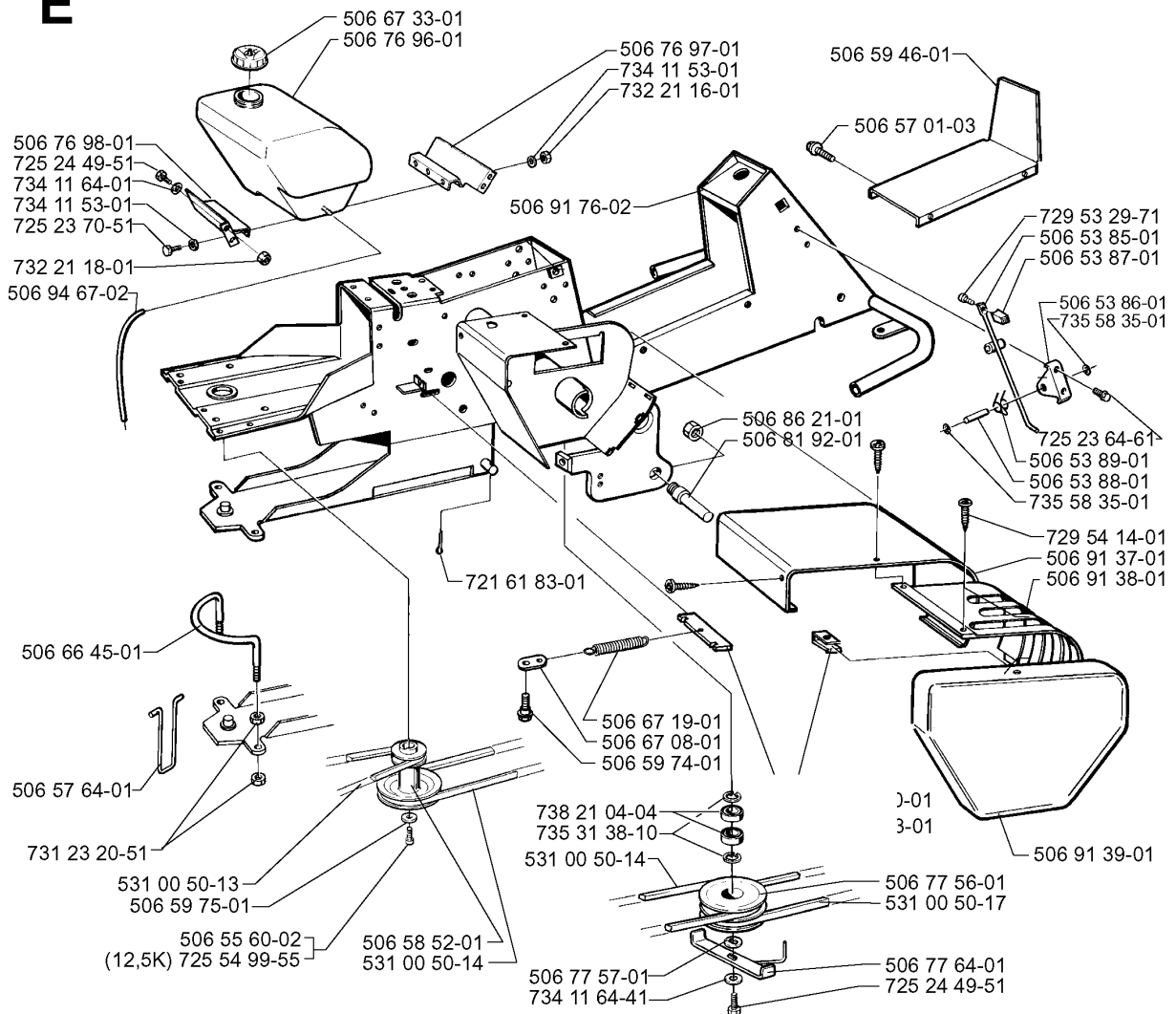


ACCESSORIES

RIDER 970, 1997-03

Part No	Description	Remark	QTY KIT
501 69 17-02	COMBINATION WRENCH		1
502 71 36-01	SPANNER		1

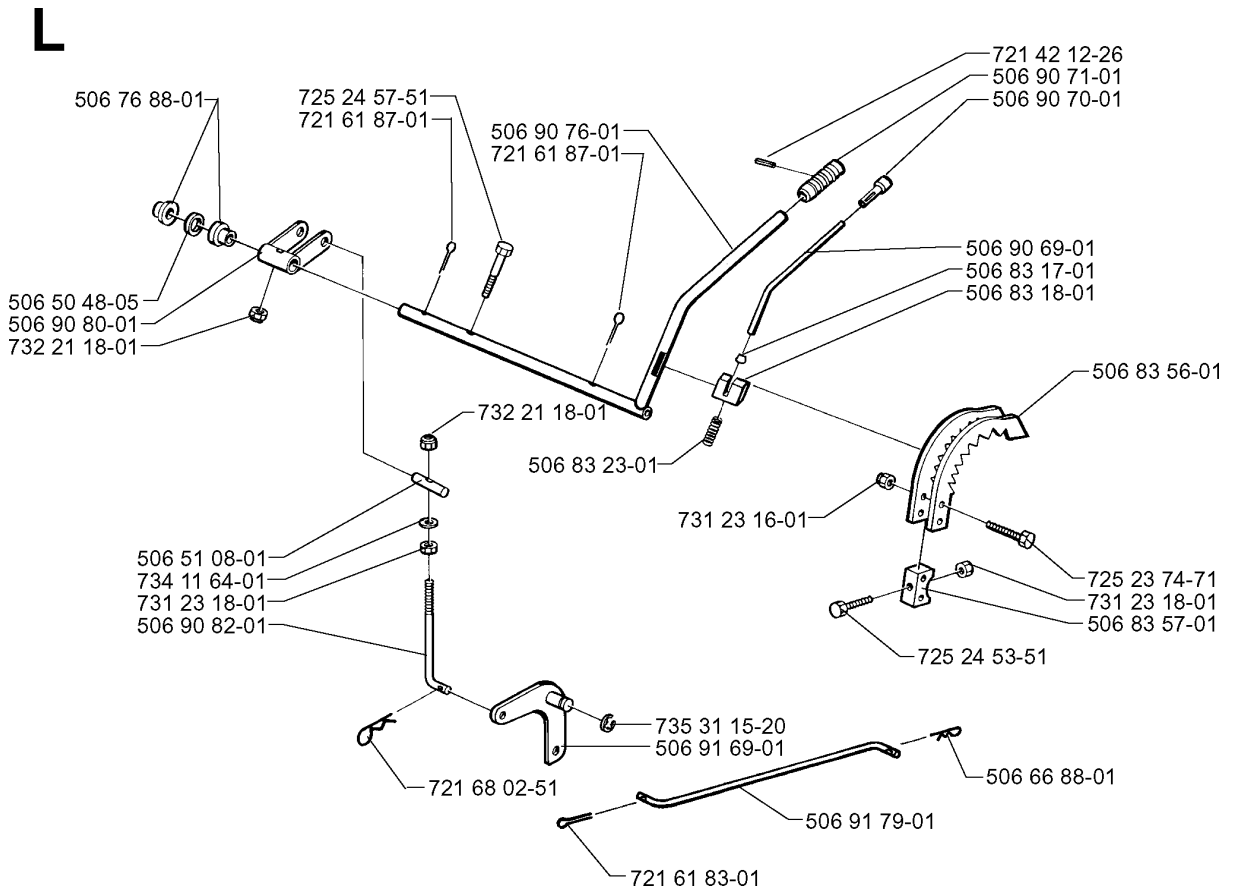
E



CHASSIS / FRAME

RIDER 970, 1997-03

Part No	Description	Remark	QTY KIT
??01	W/O DESCRIPTION		1
??01	W/O DESCRIPTION		1
506 53 85-01	LOCKING ARM		1
506 53 86-01	BRACKET		1
506 53 87-01	CONTROL BUTTON		1
506 53 88-01	SHAFT		1
506 53 89-01	SPRING		1
506 55 60-02	SCREW UNC		1
506 57 01-03	SCREW EHHFM		1
506 57 64-01	CABLE HOLDER		1
506 58 52-01	PULLEY		1
506 59 46-01	LOCK GOLVTUNNEL		1
506 59 74-01	SCREW EHHFM		1
506 59 75-01	WASHER		1
506 66 45-01	BELT GUIDE		1
506 67 08-01	LINK		1
506 67 19-01	SPRING		1
506 67 33-01	TANK CAP ASSY		1
506 76 96-01	FUEL TANK		1
506 76 97-01	BRACKET		1
506 76 98-01	BRACKET		1
506 77 56-01	MELLANHJUL		1
506 77 57-01	WASHER		1
506 77 64-01	CONSOLE		1
506 81 92-01	WHEEL AXLE		1
506 86 21-01	NUT		1
506 91 37-01	COVER PLATE		1
506 91 38-01	CONTROL PLATE		1
506 91 39-01	CONTROL CAP		1
506 91 76-02	FRAME		1
506 94 67-02	FUEL HOSE		1
531 00 50-13	BELT		1
531 00 50-14	BELT		1
531 00 50-14	BELT		1
531 00 50-17	BELT		1
721 61 83-01	SPLIT PIN		1
725 23 64-61	SCREW EHHFT		1
725 23 70-51	SCREW		1
725 24 49-51	SCREW		1
725 24 49-51	SCREW		1
725 54 99-55	SCREW IHSCM	12,5K	1
729 53 29-71	SCREW CRPANT		1
729 54 14-01	SCREW CRPANT		1
731 23 20-51	HEXAGON NUT		1
732 21 16-01	NUT		1
732 21 18-01	LOCK NUT		1
734 11 53-01	WASHER		1
734 11 53-01	WASHER		1
734 11 64-01	WASHER		1
734 11 64-41	WASHER		1
735 31 38-10	CIRCLIP		1
735 58 35-01	WASHER		1
735 58 35-01	WASHER		1
738 21 04-04	BALL BEARING		1

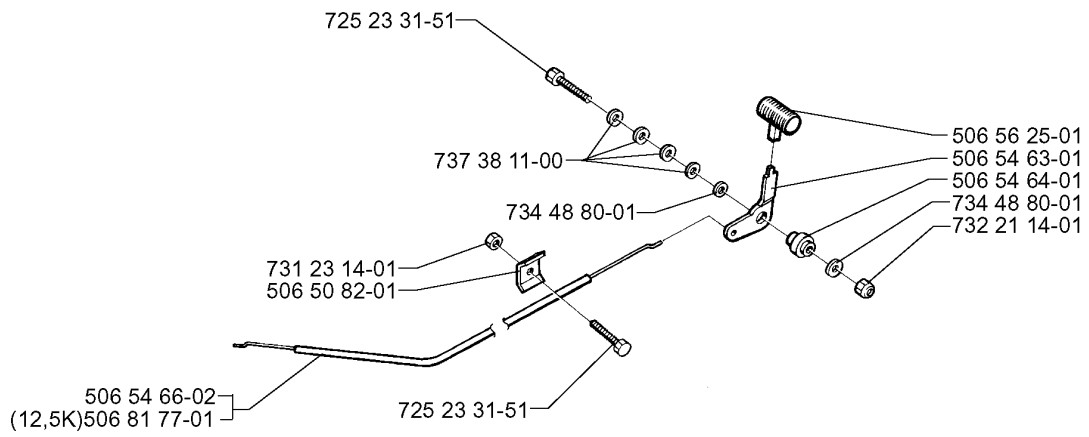
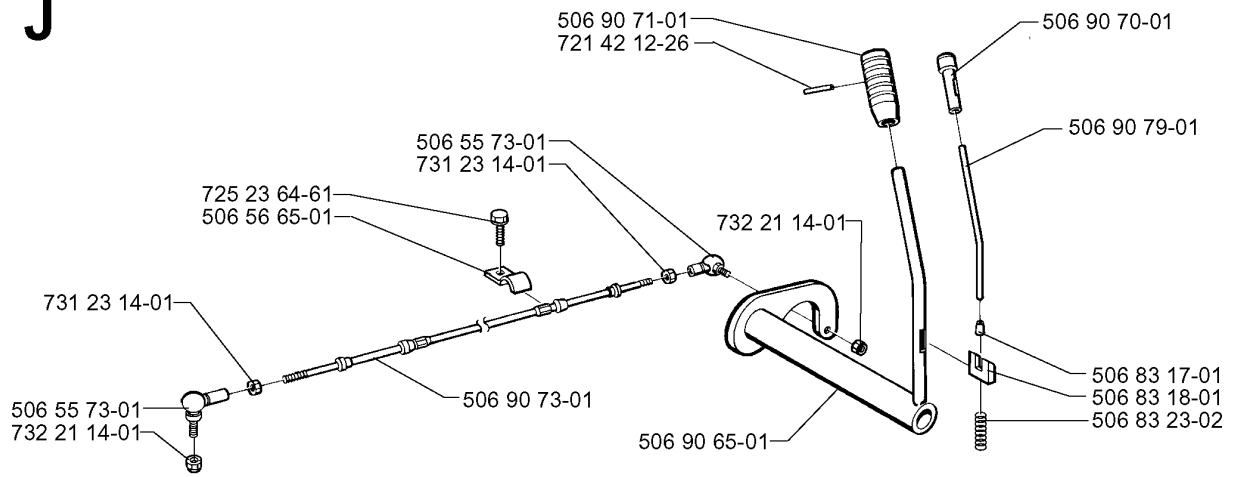


CONTROLS

RIDER 970, 1997-03

Part No	Description	Remark	QTY KIT
506 50 48-05	WASHER		1
506 51 08-01	NIPPLE		1
506 66 88-01	SPRING COTTER		1
506 76 88-01	BUSHING		1
506 83 17-01	END FITTING		1
506 83 18-01	LOCK		1
506 83 23-01	SPRING		1
506 83 56-01	HÖJDSEGMENT		1
506 83 57-01	BRACKET		1
506 90 69-01	PUSH ROD		1
506 90 70-01	KNOB		1
506 90 71-01	HANDLE		1
506 90 76-01	HÖJDINST.SPAK KPL		1
506 90 80-01	LEVER		1
506 90 82-01	HEIGHT ROD		1
506 91 69-01	LINK ASSY		1
506 91 79-01	HEIGHT ROD FRONT		1
721 42 12-26	SPRING PIN		1
721 61 83-01	SPLIT PIN		1
721 61 87-01	SPLIT PIN		1
721 61 87-01	SPLIT PIN		1
721 68 02-51	SPRING COTTER		1
725 23 74-71	SCREW EHHM		1
725 24 53-51	SCREW EHHM		1
725 24 57-51	SCREW		1
731 23 16-01	HEXAGON NUT		1
731 23 18-01	HEXAGON NUT		1
731 23 18-01	HEXAGON NUT		1
732 21 18-01	LOCK NUT		1
732 21 18-01	LOCK NUT		1
734 11 64-01	WASHER		1
735 31 15-20	E-CLIP		1

J

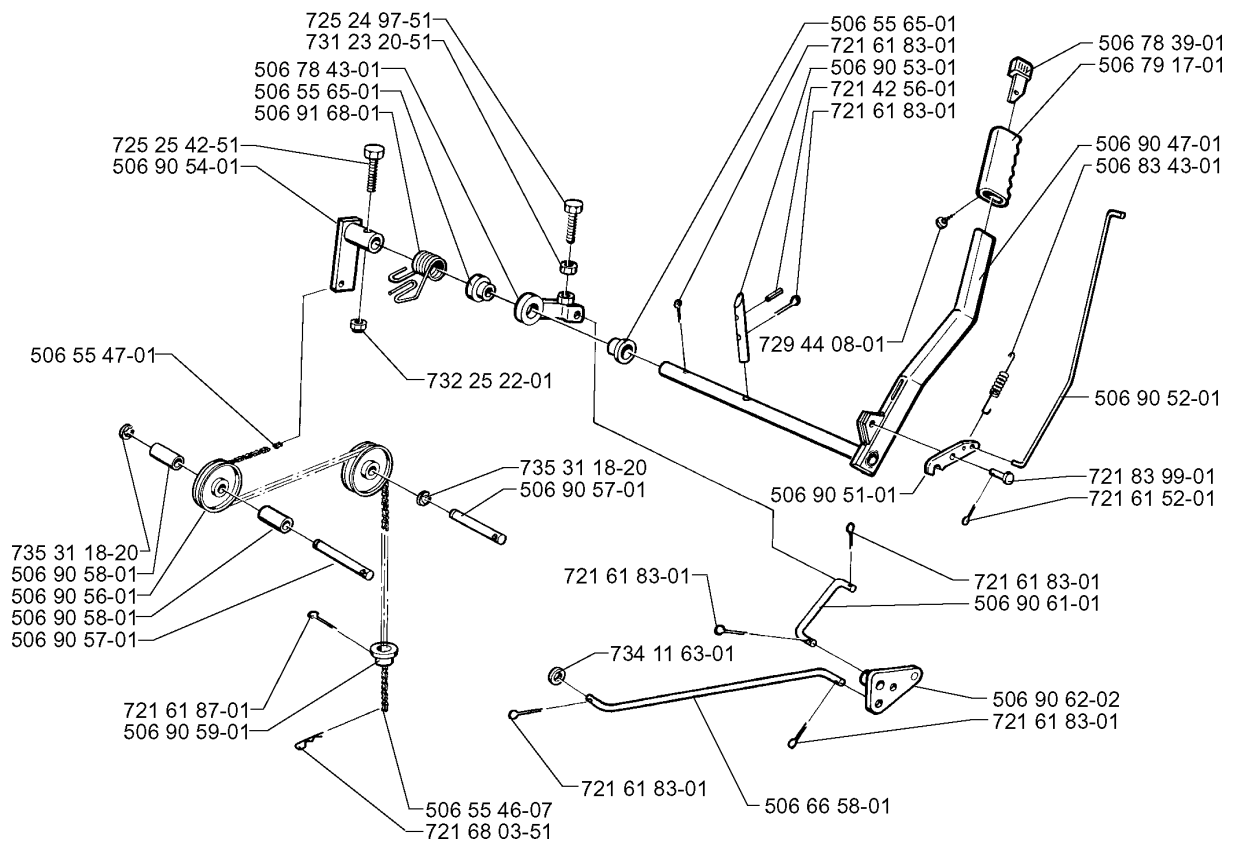


CONTROLS

RIDER 970, 1997-03

Part No	Description	Remark	QTY KIT
506 50 82-01	CLIP		1
506 54 63-01	LEVER THROTTLE CONTR		1
506 54 64-01	BUSHING		1
506 54 66-02	THROTTLE WIRE ASSY		1
506 55 73-01	VINKELL.AS8 DIN71802		1
506 55 73-01	VINKELL.AS8 DIN71802		1
506 56 25-01	HANDLE		1
506 56 65-01	CLIP		1
506 81 77-01	THROTTLE WIRE ASSY	12,5K	1
506 83 17-01	END FITTING		1
506 83 18-01	LOCK		1
506 83 23-02	COMPRESSION SPRING		1
506 90 65-01	GEAR LEVER ASSY		1
506 90 70-01	KNOB		1
506 90 71-01	HANDLE		1
506 90 73-01	VÄXELVÄLJARKABEL		1
506 90 79-01	PUSH ROD		1
721 42 12-26	SPRING PIN		1
725 23 31-51	SCREW		1
725 23 31-51	SCREW		1
725 23 64-61	SCREW EHHFT		1
731 23 14-01	HEXAGON NUT		1
731 23 14-01	HEXAGON NUT		1
731 23 14-01	HEXAGON NUT		1
732 21 14-01	LOCK NUT		1
732 21 14-01	LOCK NUT		1
732 21 14-01	LOCK NUT		1
734 48 80-01	WASHER		1
734 48 80-01	WASHER		1
737 38 11-00	DISC SPRING		1

K

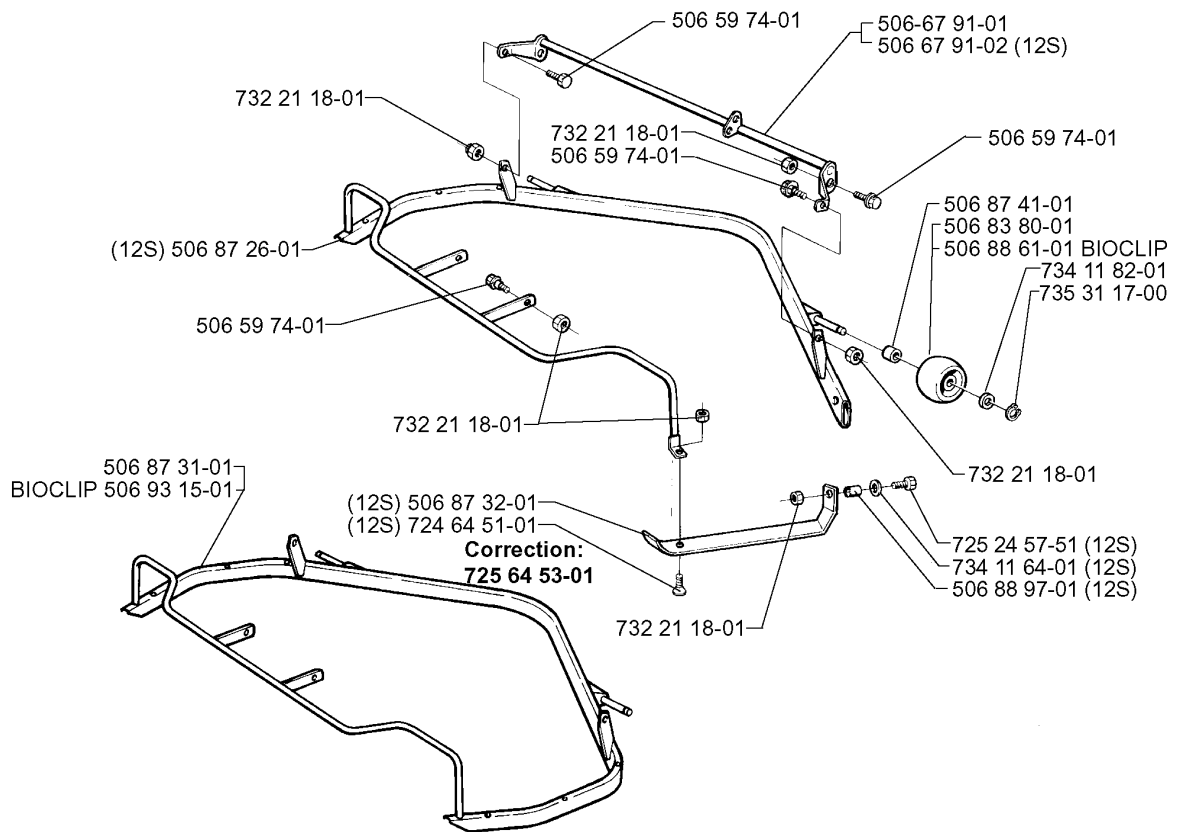


CONTROLS

RIDER 970, 1997-03

Part No	Description	Remark	QTY KIT
506 55 46-07	CHAIN		1
506 55 47-01	LINKAGE		1
506 55 65-01	BEARING		1
506 55 65-01	BEARING		1
506 66 58-01	CLUTCH ROD REAR		1
506 78 39-01	BUTTON		1
506 78 43-01	LINK ASSY		1
506 79 17-01	HANDLE		1
506 83 43-01	SPRING		1
506 90 47-01	LIFT LEVER CMPL		1
506 90 51-01	CATCH		1
506 90 52-01	PUSH ROD		1
506 90 53-01	PEN		1
506 90 54-01	LIFTING ARM		1
506 90 56-01	OFFSET PULLEY		1
506 90 57-01	SHAFT		1
506 90 57-01	SHAFT		1
506 90 58-01	TUBE SLEEVE		1
506 90 58-01	TUBE SLEEVE		1
506 90 59-01	CHAIN STOP		1
506 90 61-01	CONNECTION ROD		1
506 90 62-02	LINK ASSY		1
506 91 68-01	SPRING		1
721 42 56-01	SPRING PIN		1
721 61 52-01	SPLIT PIN		1
721 61 83-01	SPLIT PIN		1
721 61 83-01	SPLIT PIN		1
721 61 83-01	SPLIT PIN		1
721 61 83-01	SPLIT PIN		1
721 61 83-01	SPLIT PIN		1
721 61 83-01	SPLIT PIN		1
721 61 87-01	SPLIT PIN		1
721 68 03-51	SPRING COTTER		1
721 83 99-01	CLEVIS PIN		1
725 24 97-51	SCREW		1
725 25 42-51	SCREW EHHM		1
729 44 08-01	SCREW SLCSRT		1
731 23 20-51	HEXAGON NUT		1
732 25 22-01	HEXAGON LOCKING NUT		1
734 11 63-01	WASHER		1
735 31 18-20	E-CLIP		1
735 31 18-20	E-CLIP		1

C

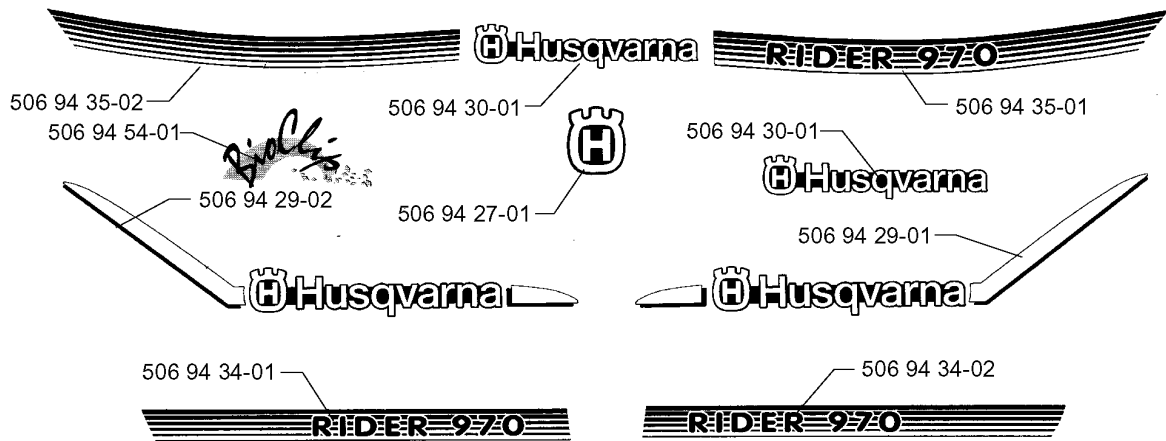


COVER

RIDER 970, 1997-03

Part No	Description	Remark	QTY KIT
506 59 74-01	SCREW EHHFM		1
506 59 74-01	SCREW EHHFM		1
506 59 74-01	SCREW EHHFM		1
506 59 74-01	SCREW EHHFM		1
506 67 91-01	LIFTING YOKE		1
506 67 91-02	LIFTING YOKE	12S	1
506 83 80-01	WHEEL ASSY		1
506 87 26-01	RÖRRAM KPL.SIDUTKAST	12S	1
506 87 31-01	RÖRRAM KPL.BAKUTKAST		1
506 87 32-01	BAR	12S	1
506 87 41-01	SPACING SLEEVE		1
506 88 61-01	WHEEL	BIOCLIP	1
506 88 97-01	SPACING SLEEVE	12S	1
506 93 15-01	PROTECTIVE TUBING	BIOCLIP	1
725 24 57-51	SCREW	12S	1
725 64 53-01	SCREW IHCSFM	CORRECTION:	1
732 21 18-01	LOCK NUT		1
732 21 18-01	LOCK NUT		1
732 21 18-01	LOCK NUT		1
732 21 18-01	LOCK NUT		1
732 21 18-01	LOCK NUT		1
732 21 18-01	LOCK NUT		1
734 11 64-01	WASHER	12S	1
734 11 82-01	WASHER		1
735 31 17-00	CIRCLIP		1

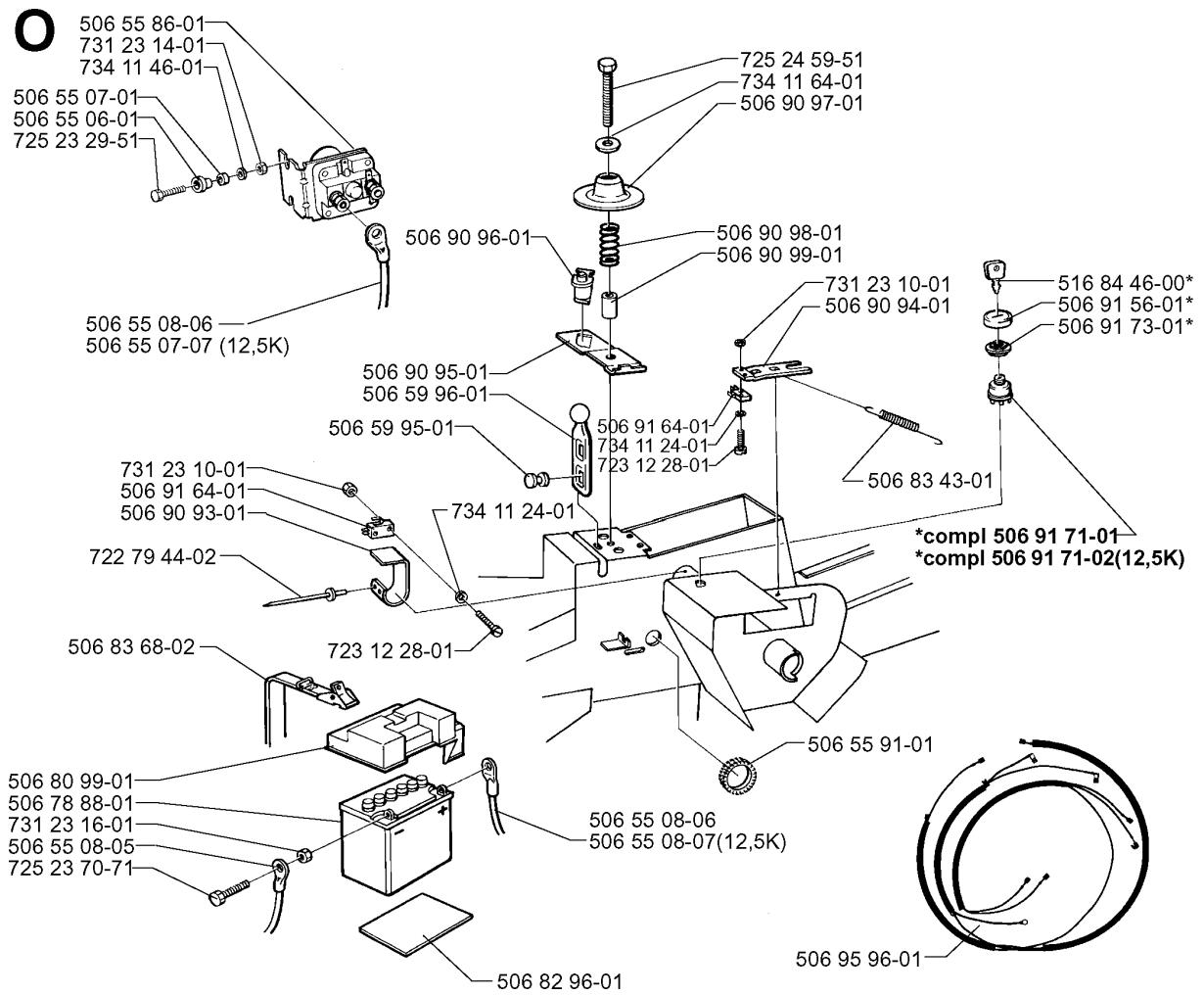
P



DECALS

RIDER 970, 1997-03

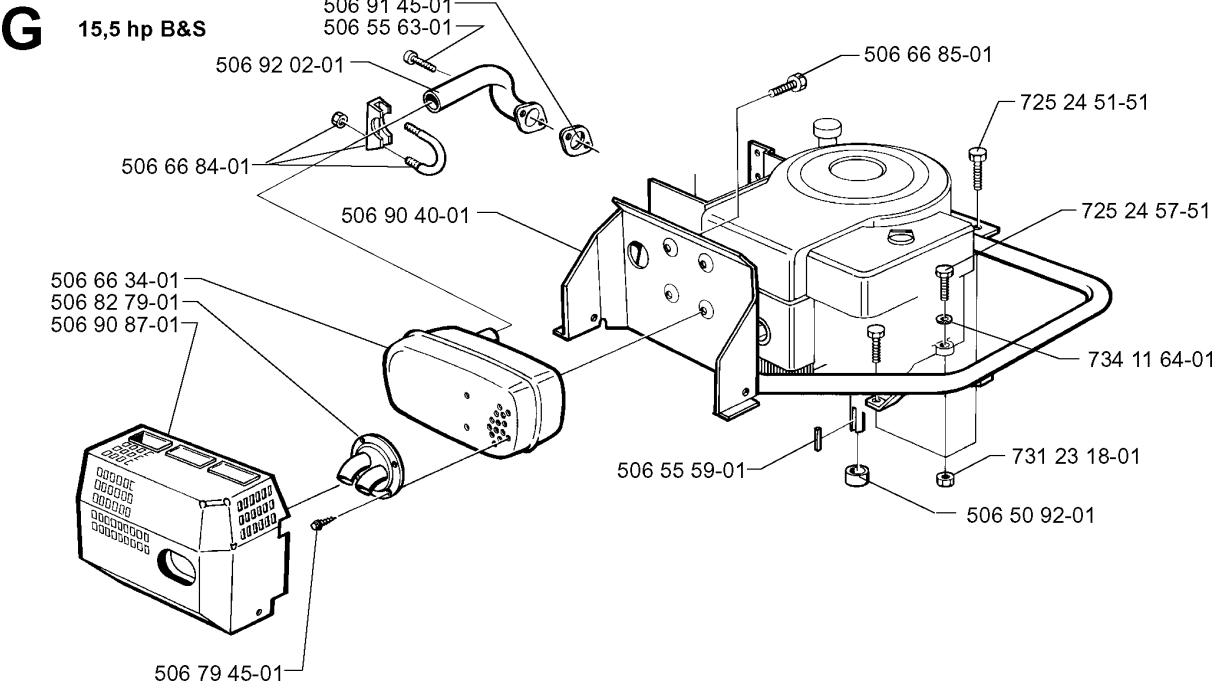
Part No	Description	Remark	QTY KIT
506 94 27-01	DECAL		1
506 94 29-01	VINGAR MOTORKÅPA V.		1
506 94 29-02	VINGAR MOTORKÅPA H.		1
506 94 30-01	DECAL		1
506 94 30-01	DECAL		1
506 94 34-01	STRIPES MOTORKÅPA V		1
506 94 34-02	STRIPES MOTORKÅPA H		1
506 94 35-01	STRIPES MELLANDEL V		1
506 94 35-02	STRIPES MELLANDEL H		1
506 94 54-01	DECAL		1



ELECTRICAL

RIDER 970, 1997-03

Part No	Description	Remark	QTY KIT
506 55 06-01	PLUG		1
506 55 07-01	INSULATING WASHER		1
506 55 07-07		12,5K	1
506 55 08-05	STARTKABEL BATT-JORD		1
506 55 08-06	STARTKABEL BATT-RELÄ		1
506 55 08-06	STARTKABEL BATT-RELÄ		1
506 55 08-07	STARTKABEL RELÄ-MOTO	12,5K	1
506 55 86-01	RELAY		1
506 55 91-01	SKAVSKYDD		1
506 59 95-01	BUTTON		1
506 59 96-01	GUMMISTROPP		1
506 78 88-01	BATTERY		1
506 80 99-01	BATTERY COVER		1
506 82 96-01	BATTERY MAT		1
506 83 43-01	SPRING		1
506 83 68-02	BELT		1
506 90 93-01	PLATE SPRING		1
506 90 94-01	BRACKET		1
506 90 95-01	SWITCH ATTACHMENT SE		1
506 90 96-01	SWITCH		1
506 90 97-01	SPRING WASHER		1
506 90 98-01	SPRING		1
506 90 99-01	SPACING TUBE		1
506 91 56-01	PROTECTION		1
506 91 64-01	MICRO SWITCH		1
506 91 64-01	MICRO SWITCH		1
506 91 71-01	IGNITION LOCK		1
506 91 71-02	IGNITION LOCK	12,5K	1
506 91 73-01	NUT		1
506 95 96-01	WIRING		1
516 84 46-00	KEY		1
722 79 44-02	RIVET		1
723 12 28-01	SCREW SLCHM		1
723 12 28-01	SCREW SLCHM		1
725 23 29-51	SCREW		1
725 23 70-71	SCREW EHHM		1
725 24 59-51	SCREW EHHM		1
731 23 10-01	HEXAGON NUT		1
731 23 10-01	HEXAGON NUT		1
731 23 14-01	HEXAGON NUT		1
731 23 16-01	HEXAGON NUT		1
734 11 24-01	WASHER		1
734 11 24-01	WASHER		1
734 11 46-01	WASHER		1
734 11 64-01	WASHER		1

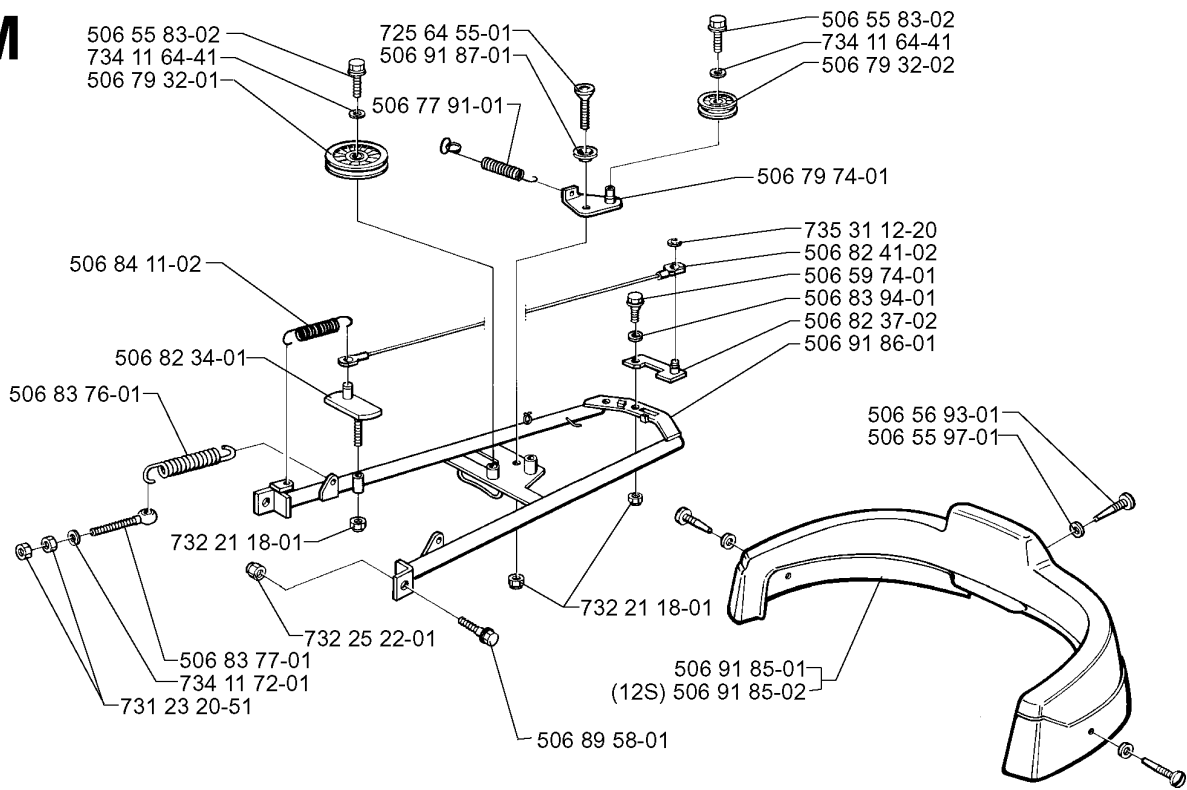


ENGINE

RIDER 970, 1997-03

Part No	Description	Remark	QTY KIT
506 50 92-01	SPACING SLEEVE		1
506 55 59-01	WEDGE		1
506 55 63-01	SCREW UNC		1
506 66 34-01	MUFFLER		1
506 66 84-01	CLAMP ASSY		1
506 66 85-01	U6S 1/4 UNCX16 8.8FZ		1
506 79 45-01	SCREW		1
506 82 79-01	DEFLECTOR		1
506 90 40-01	RÖRBYGEL KPL		1
506 90 87-01	HEAT PROTECTOR		1
506 91 45-01	GASKET		1
506 92 02-01	EXHAUST PIPE ASSY		1
725 24 51-51	SCREW		1
725 24 57-51	SCREW		1
731 23 18-01	HEXAGON NUT		1
734 11 64-01	WASHER		1

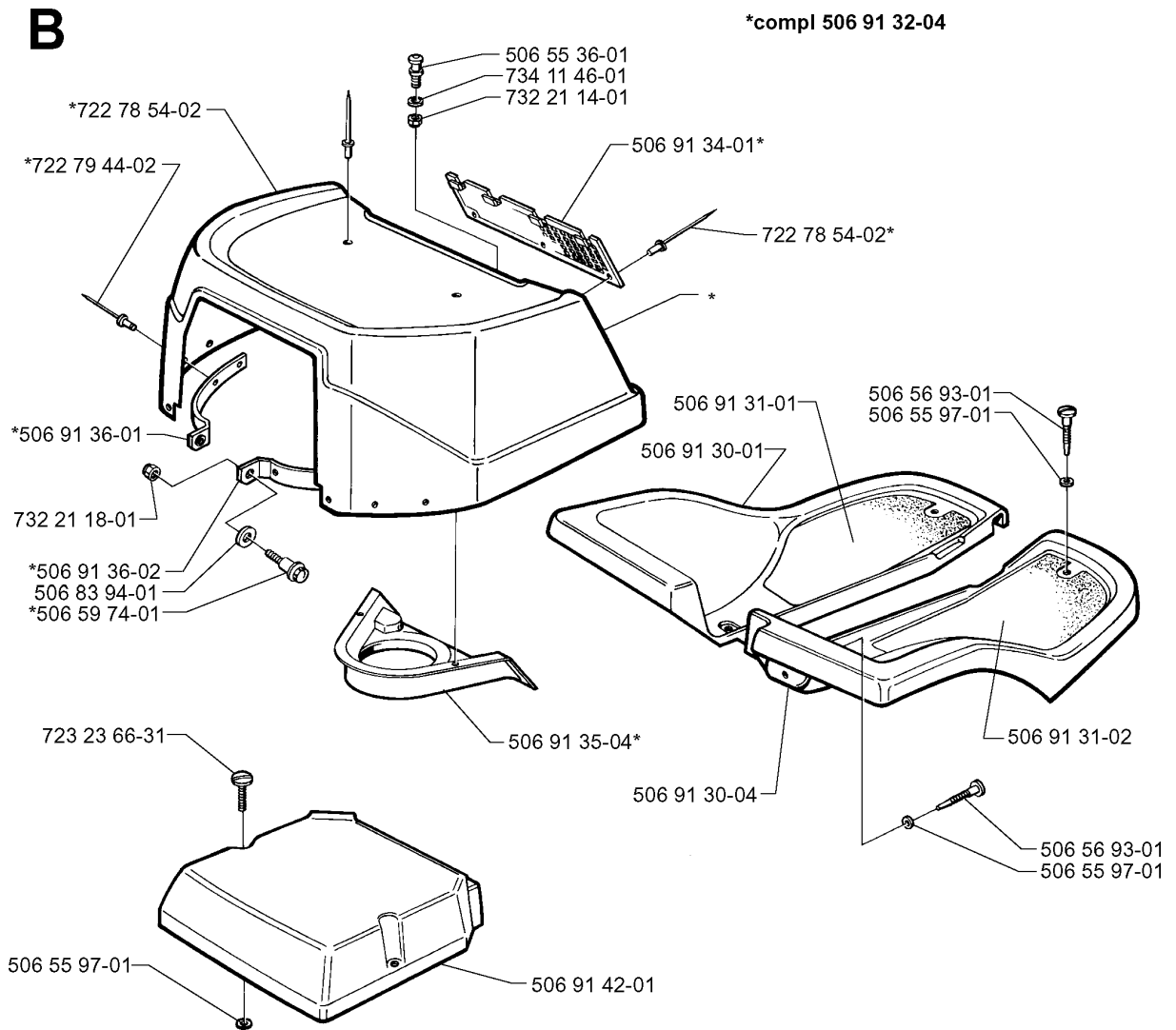
M



FRAME

RIDER 970, 1997-03

Part No	Description	Remark	QTY KIT
506 55 83-02	SCREW EHHFT		1
506 55 83-02	SCREW EHHFT		1
506 55 97-01	WASHER		1
506 56 93-01	SCREW		1
506 59 74-01	SCREW EHHFM		1
506 77 91-01	SPRING		1
506 79 32-01	BELT TENSIONER WHEEL		1
506 79 32-02	BELT TENSIONER WHEEL		1
506 79 74-01	SPÄNNARM KPL.		1
506 82 34-01	HITCH		1
506 82 37-02	LOCK ASSY		1
506 82 41-02	WIRE ASSY		1
506 83 76-01	SPRING		1
506 83 77-01	RING BOLT		1
506 83 94-01	SPRING WASHER		1
506 84 11-02	SPRING		1
506 89 58-01	COLLAR SCREW		1
506 91 85-01	MELLANDEL		1
506 91 85-02	MELLANDEL	12S	1
506 91 86-01	DECK ATTACHMENT ASSY		1
506 91 87-01	WASHER		1
725 64 55-01	SCREW IHCSFM		1
731 23 20-51	HEXAGON NUT		1
732 21 18-01	LOCK NUT		1
732 21 18-01	LOCK NUT		1
732 25 22-01	HEXAGON LOCKING NUT		1
734 11 64-41	WASHER		1
734 11 64-41	WASHER		1
734 11 72-01	WASHER		1
735 31 12-20	E-CLIP		1

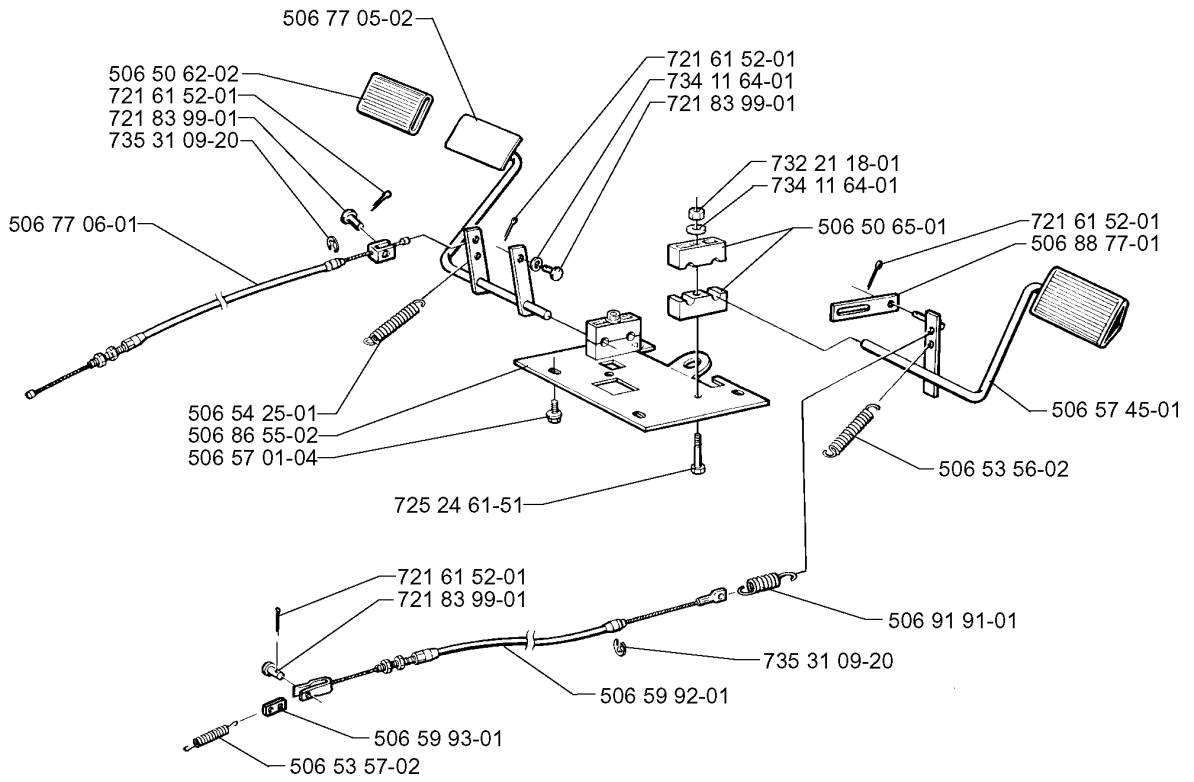


HOOD

RIDER 970, 1997-03

Part No	Description	Remark	QTY KIT
506 55 36-01	KNOB		1
506 55 97-01	WASHER		1
506 55 97-01	WASHER		1
506 55 97-01	WASHER		1
506 56 93-01	SCREW		1
506 56 93-01	SCREW		1
506 59 74-01	SCREW EHHFM		1
506 83 94-01	SPRING WASHER		1
506 91 30-01	FLYGEL V		1
506 91 30-04	FLYGEL H		1
506 91 31-01	FOTMATTA V		1
506 91 31-02	FOTMATTA H		1
506 91 32-04	ENGINE HOOD ASSY		1
506 91 34-01	AIR GRIND		1
506 91 35-04	AIR CONDUCTOR		1
506 91 36-01	BRACKET		1
506 91 36-02	BRACKET		1
506 91 42-01	COVER		1
722 78 54-02	BLIND RIVET		1
722 78 54-02	BLIND RIVET		1
722 79 44-02	RIVET		1
723 23 66-31	SCREW SLPANM		1
732 21 14-01	LOCK NUT		1
732 21 18-01	LOCK NUT		1
734 11 46-01	WASHER		1

I

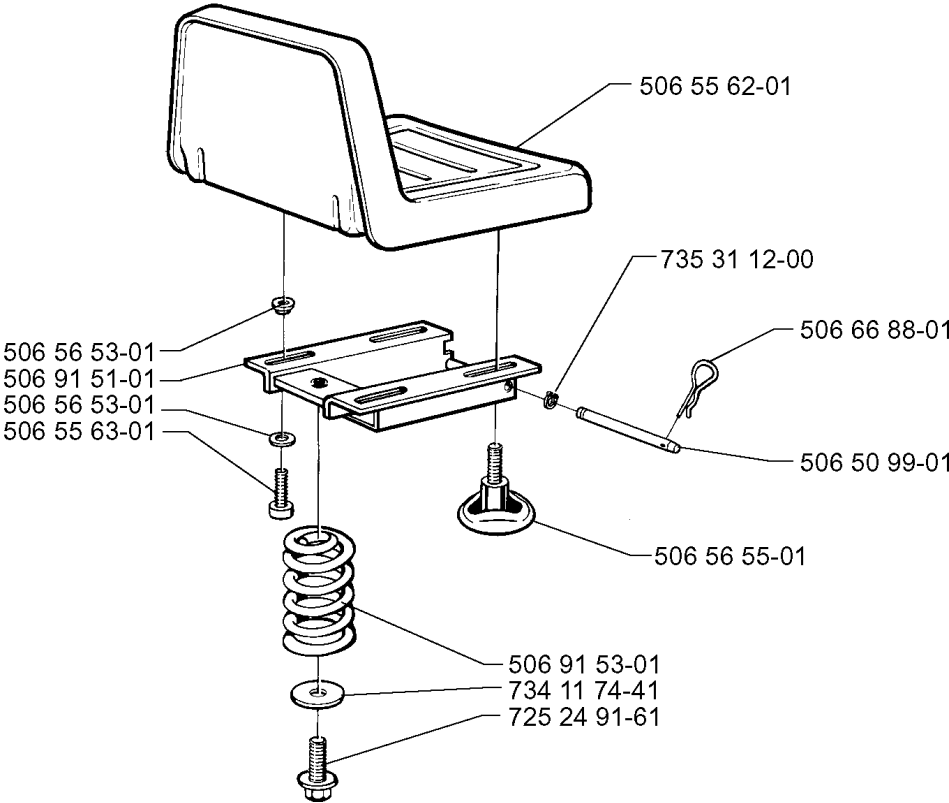


PEDALS

RIDER 970, 1997-03

Part No	Description	Remark	QTY KIT
506 50 62-02	PEDAL RUBBER		1
506 50 65-01	BEARING SUPPORT		1
506 53 56-02	SPRING		1
506 53 57-02	SPRING		1
506 54 25-01	SPRING		1
506 57 01-04	SCREW EHHFM		1
506 57 45-01	BRAKE PEDAL ASSY		1
506 59 92-01	BROMSWIRE KPL		1
506 59 93-01	LINK		1
506 77 05-02	CLUTCH PEDAL ASSY		1
506 77 06-01	KOPPLINGSWIRE KPL		1
506 86 55-02	PEDAL PLATE ASSY		1
506 88 77-01	LINK		1
506 91 91-01	BRAKE SPRING		1
721 61 52-01	SPLIT PIN		1
721 61 52-01	SPLIT PIN		1
721 61 52-01	SPLIT PIN		1
721 61 52-01	SPLIT PIN		1
721 83 99-01	CLEVIS PIN		1
721 83 99-01	CLEVIS PIN		1
721 83 99-01	CLEVIS PIN		1
725 24 61-51	SCREW EHHM		1
732 21 18-01	LOCK NUT		1
734 11 64-01	WASHER		1
734 11 64-01	WASHER		1
735 31 09-20	HARNESS		1
735 31 09-20	HARNESS		1

A

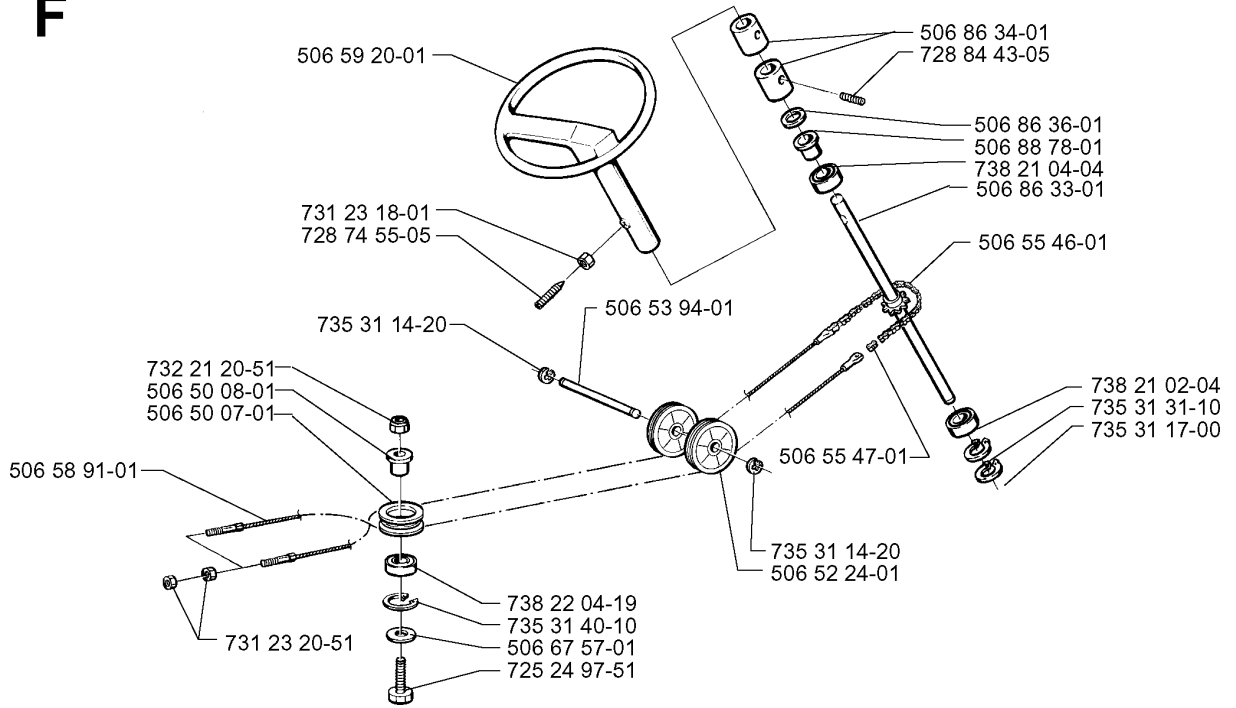


SEAT

RIDER 970, 1997-03

Part No	Description	Remark	QTY KIT
506 50 99-01	SHAFT		1
506 55 62-01	SEAT (MICHIGAN SEAT)		1
506 55 63-01	SCREW UNC		1
506 56 53-01	BUSHING		1
506 56 53-01	BUSHING		1
506 56 55-01	JUSTERVRED		1
506 66 88-01	SPRING COTTER		1
506 91 51-01	SEAT BRACKET ASSY		1
506 91 53-01	COMPRESSION SPRING		1
725 24 91-61	SCREW EHHFT		1
734 11 74-41	WASHER		1
735 31 12-00	CIRCLIP		1

F

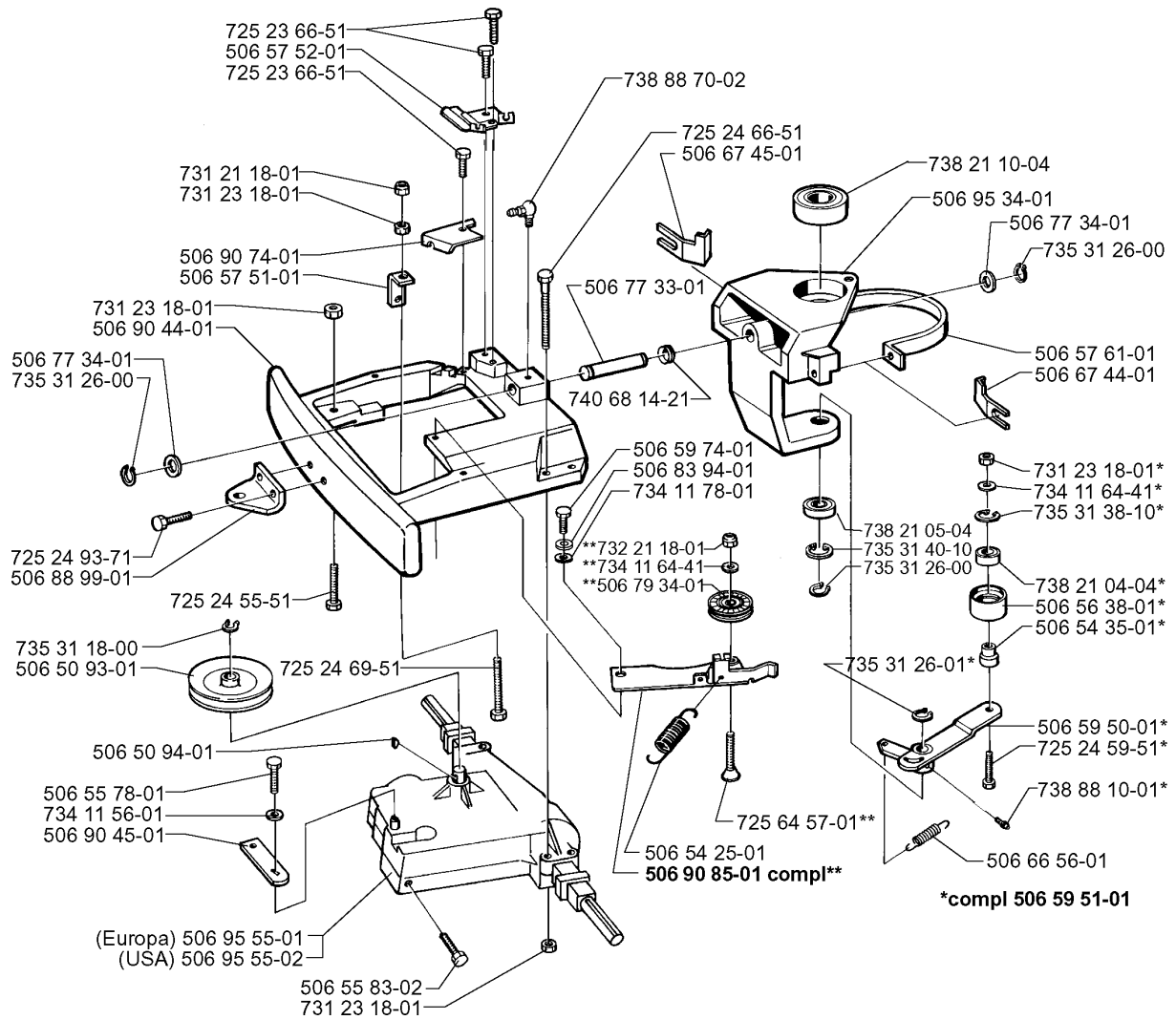


STEERING

RIDER 970, 1997-03

Part No	Description	Remark	QTY KIT
506 50 07-01	BARRING WHEEL		1
506 50 08-01	BUSHING		1
506 52 24-01	STARTER PULLEY		1
506 53 94-01	SHAFT		1
506 55 46-01	CHAIN		1
506 55 47-01	LINKAGE		1
506 58 91-01	WIRE ASSY		1
506 59 20-01	STEERING WHEEL		1
506 67 57-01	WASHER		1
506 86 33-01	ROD STEERING ASSY		1
506 86 34-01	DRIVER		1
506 86 36-01	WASHER		1
506 88 78-01	SPACER		1
725 24 97-51	SCREW		1
728 74 55-05	SCREW IHSETM		1
728 84 43-05	SCREW IHSETM		1
731 23 18-01	HEXAGON NUT		1
731 23 20-51	HEXAGON NUT		1
732 21 20-51	NUT		1
735 31 14-20	E-CLIP		1
735 31 14-20	E-CLIP		1
735 31 17-00	CIRCLIP		1
735 31 31-10	CIRCLIP		1
735 31 40-10	CIRCLIP		1
738 21 02-04	BALL BEARING		1
738 21 04-04	BALL BEARING		1
738 22 04-19	BALL BEARING		1

H

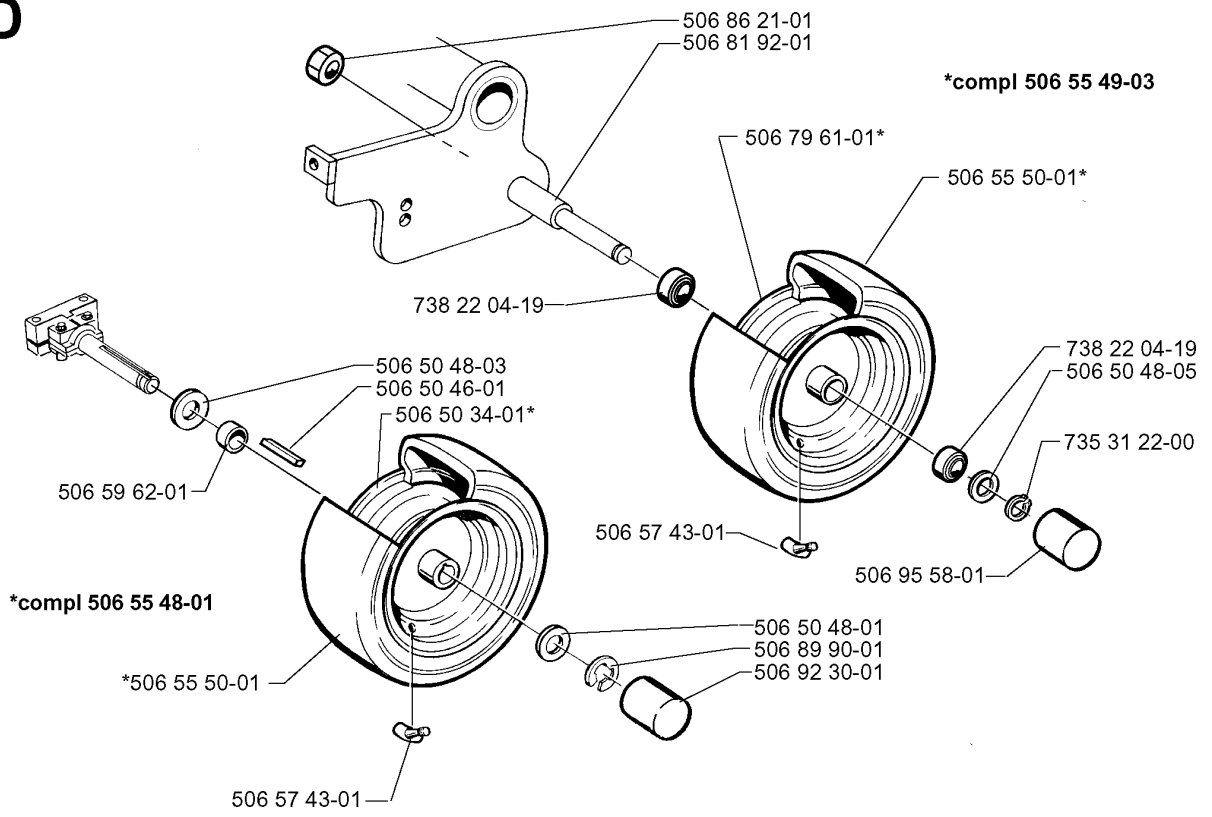


TRANSMISSION

RIDER 970, 1997-03

Part No	Description	Remark	QTY KIT
506 50 93-01	PULLEY		1
506 50 94-01	WOODRUFF KEY		1
506 54 25-01	SPRING		1
506 54 35-01	BUSHING		1
506 55 78-01	U6S-UNF1/4"X28 L=16		1
506 55 83-02	SCREW EHHFT		1
506 56 38-01	TENSION ROLLER		1
506 57 51-01	BRACKET		1
506 57 52-01	WIRE HOLDER		1
506 57 61-01	STYRKANS		1
506 59 50-01	LEVER		1
506 59 51-01	REMSP. KNIVDRIVNING		1
506 59 74-01	SCREW EHHFM		1
506 66 56-01	SPRING		1
506 67 44-01	BELT GUIDE		1
506 67 45-01	BELT GUIDE		1
506 77 33-01	SWING AXLE		1
506 77 34-01	WASHER		1
506 77 34-01	WASHER		1
506 79 34-01	BELT TENS WHEEL ASSY		1
506 83 94-01	SPRING WASHER		1
506 88 99-01	HITCH		1
506 90 44-01	CONSOLE		1
506 90 45-01	VÄXELARM		1
506 90 74-01	WIRE HOLDER		1
506 90 85-01	BELT TENSIONER ASSY		1
506 95 34-01	STYRSPINDEL K55		1
506 95 55-01	GEAR CASE MST 205	EUROPA	1
506 95 55-02	GEARBOX	USA	1
725 23 66-51	HEXAGONAL SCREW M6X12		1
725 23 66-51	HEXAGONAL SCREW M6X12		1
725 24 55-51	SCREW		1
725 24 59-51	SCREW EHHM		1
725 24 66-51	SCREW		1
725 24 69-51	SCREW EHHM		1
725 24 93-71	SCREW EHHM		1
725 64 57-01	SCREW IHCSFM		1
731 21 18-01	NUT		1
731 23 18-01	HEXAGON NUT		1
731 23 18-01	HEXAGON NUT		1
731 23 18-01	HEXAGON NUT		1
731 23 18-01	HEXAGON NUT		1
732 21 18-01	LOCK NUT		1
734 11 56-01	WASHER		1
734 11 64-41	WASHER		1
734 11 64-41	WASHER		1
734 11 78-01	WASHER		1
735 31 18-00	CIRCLIP		1
735 31 26-00	CIRCLIP		1
735 31 26-00	CIRCLIP		1
735 31 26-00	CIRCLIP		1
735 31 26-01	CIRCLIP		1
735 31 38-10	CIRCLIP		1
735 31 40-10	CIRCLIP		1
738 21 04-04	BALL BEARING		1
738 21 05-04	BALL BEARING		1
738 21 10-04	BALL BEARING		1
738 88 10-01	LUBRICATION NIPPLE		1
738 88 70-02	LUBRICATION NIPPLE		1
740 68 14-21	V-RING		1

D



WHEELS & TIRES

RIDER 970, 1997-03

Part No	Description	Remark	QTY KIT
506 50 34-01	RIM		1
506 50 46-01	WEDGE		1
506 50 48-01	WASHER		1
506 50 48-03	WASHER		1
506 50 48-05	WASHER		1
506 55 48-01	REAR WHEEL		1
506 55 49-03	WHEEL		1
506 55 50-01	TYRE		1
506 55 50-01	TYRE		1
506 57 43-01	VALVE ASSY		1
506 57 43-01	VALVE ASSY		1
506 59 62-01	SPACING SLEEVE		1
506 79 61-01	RIM		1
506 81 92-01	WHEEL AXLE		1
506 86 21-01	NUT		1
506 89 90-01	E-CLIP		1
506 92 30-01	RUND FOT UKB 30 S		1
506 95 58-01	CUP		1
735 31 22-00	CIRCLIP		1
738 22 04-19	BALL BEARING		1
738 22 04-19	BALL BEARING		1