

Jet 55S



2.1997

Spare parts

Ersatzteile

Pièces détachées

Reserve onderdelen

Repuestos

Reservdelar

Replaces

Ersetzt

Remplace

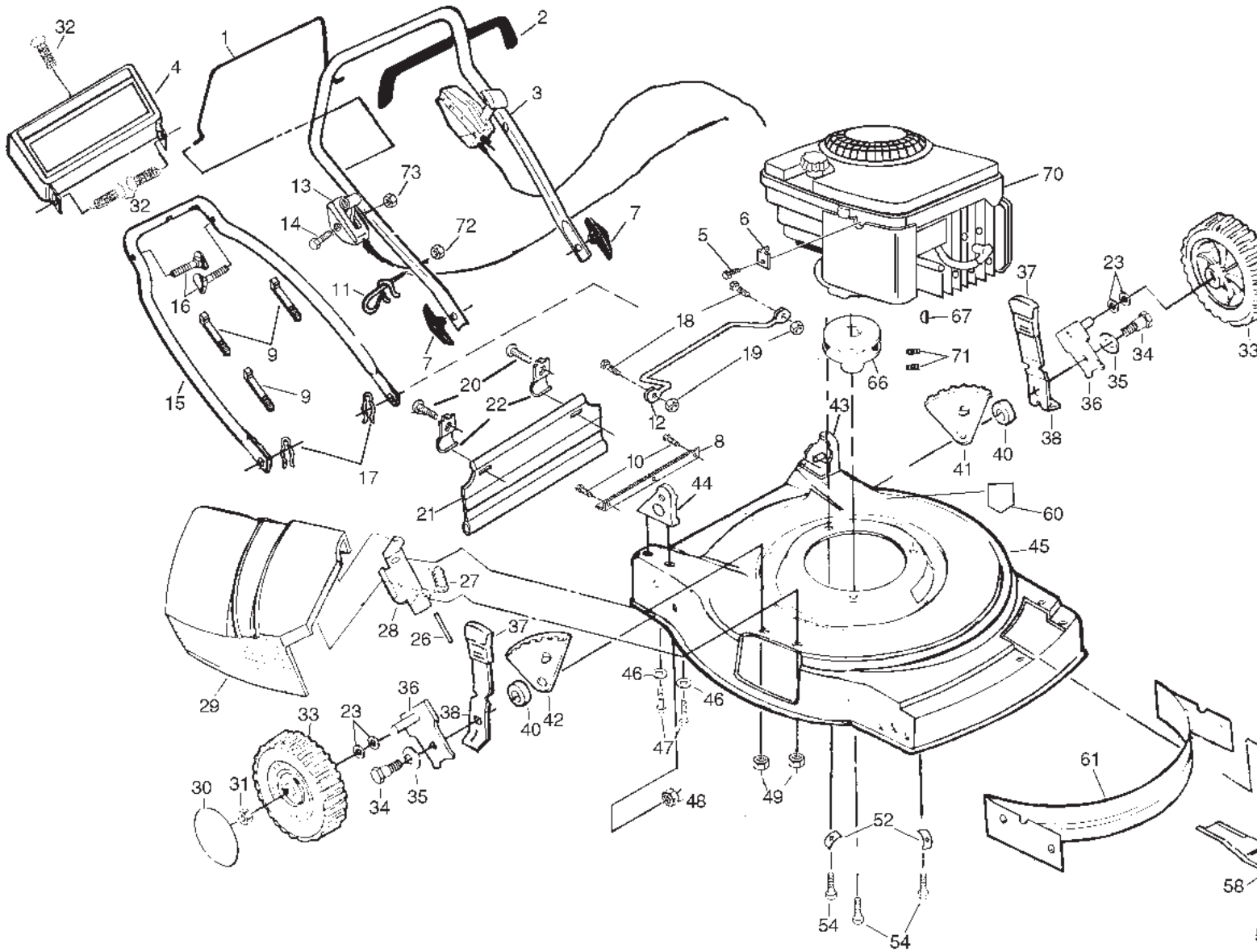
Vervangt

Reemplaza

Ersätter

106 23 58-67

A

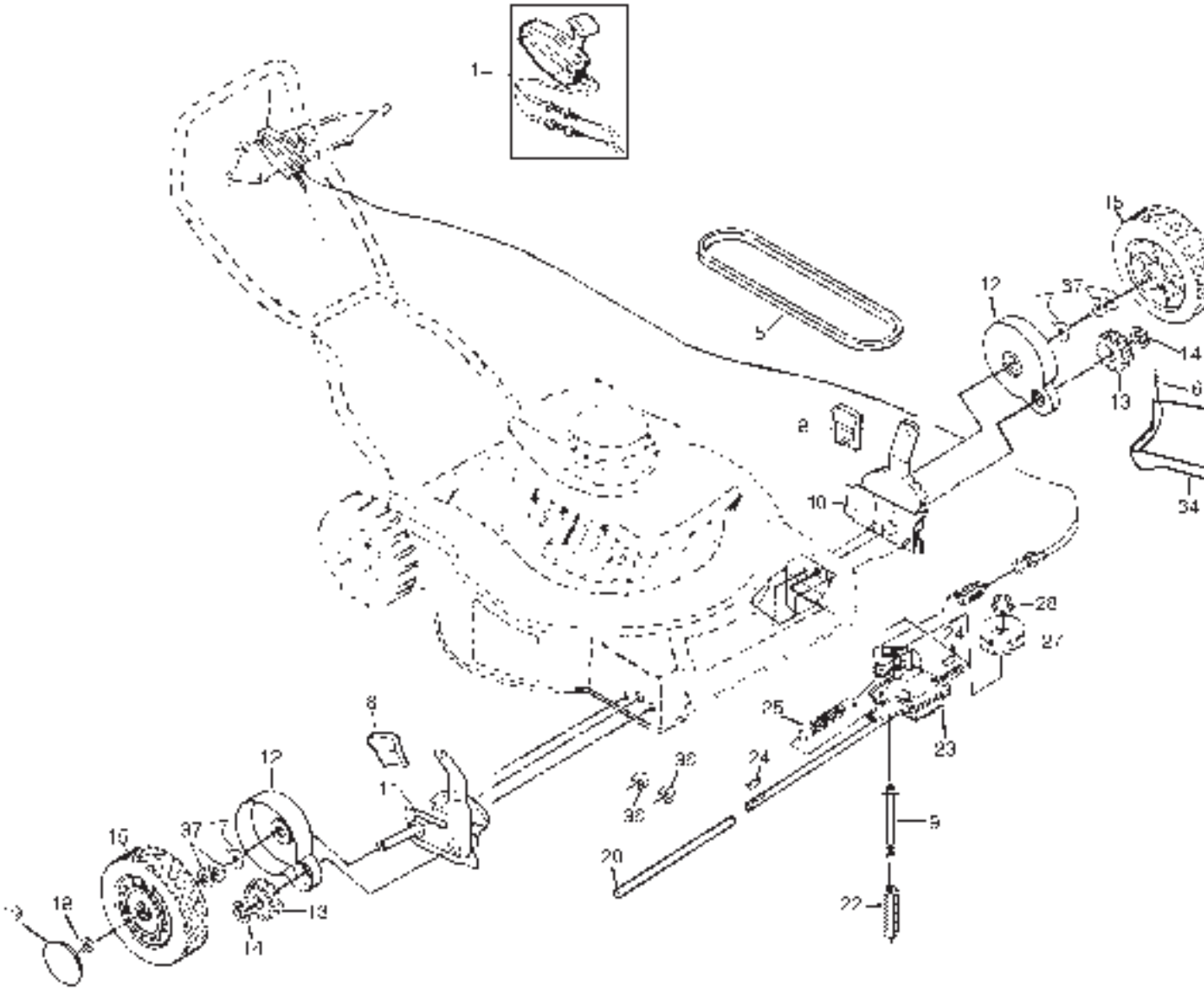


A

KEY NO.	PART NO.	DESCRIPTION	KEY NO.	PART NO.	DESCRIPTION
1	532131094	Control Bar	40	532146630	Spacer
2	532850724	Handle Grip	41	532800370	Wheel Adjusting Bracket (Left)
3	532125294	Upper Handle	42	532800368	Wheel Adjusting Bracket (Right)
4	532157070	Trim Plate	43	532153027	Handle Bracket Assembly (Left)
5	532083816	Thread Rolling Screw #10-32 x 5/8	44	532153026	Handle Bracket Assembly (Right)
6	532213146	*Cable Clamp	45	532152478	Lawn Mower Housing
7	532136376	Handle Knob	47	532149741	Self Tapping Screw 5/16-18 x 3/4
8	532154147	Footguard	48	532751592	Locknut 3/8-16
9	532151517	Wire Ties	49	532063601	Locknut 1/4-20
10	532069180	Nut	52	532125078	Washer
11	532132001	Rope Guide	53	532134612	Debris Shield
13	532700417	Throttle Control	54	532150406	Hex Head Thread Rolling Screw 3/8
14	532059935	Screw	55	532851084	Hex Head Screw 3/8-24 x 1-3/8
15	532157082	Lower Handle	56	532850263	Washer, Lock Helical 3/8
16	532131959	Handle Bolt 5/16-18 x 1-3/4	57	532851074	Hardened Washer
17	532051793	Hairpin Cotter	58	531006062	22" Blade
20	532750097	Screw, Hex, #10-24 x 1/2	59	532851514	Blade Adapter
21	532140540	Rear Skirt	60	532145494	Danger Decal
22	532125207	Skirt Bracket	61	532148902	Front Baffle
23	532057143	Wave Washer	66	532084596	Engine Pulley
24	532085825	Screw	67	532087677	Hi-Pro Key #HP 505
26	532147286	Hinge Rod	70	-----	*Engine - Briggs & Stratton Model
27	532087589	Torsion Spring	71	532059708	Set Screw
28	532087593	Housing Bracket Assembly	72	532063601	Locknut 1/4-20
29	532850778	Discharge Guard	73	532063601	Hex Locknut 1/4-20
30	532850845	Hubcap	--	532125381	Rear Baffle (Not Shown)
31	532083923	Locknut 3/8-16			
32	532701477	Push in fastener			
33	532750550	Wheel & Tire Assembly 8.00 x 2.00			
34	532142748	Shoulder Bolt 3/8-16			
35	532062335	Belleville Washer 1/2			
36	532151254	Axle Arm Assembly			
37	532132800	Selector Knob			
38	532125259	Selector Spring			

*These Parts must be purchased through an authorized Briggs and Stratton Dealer.

B



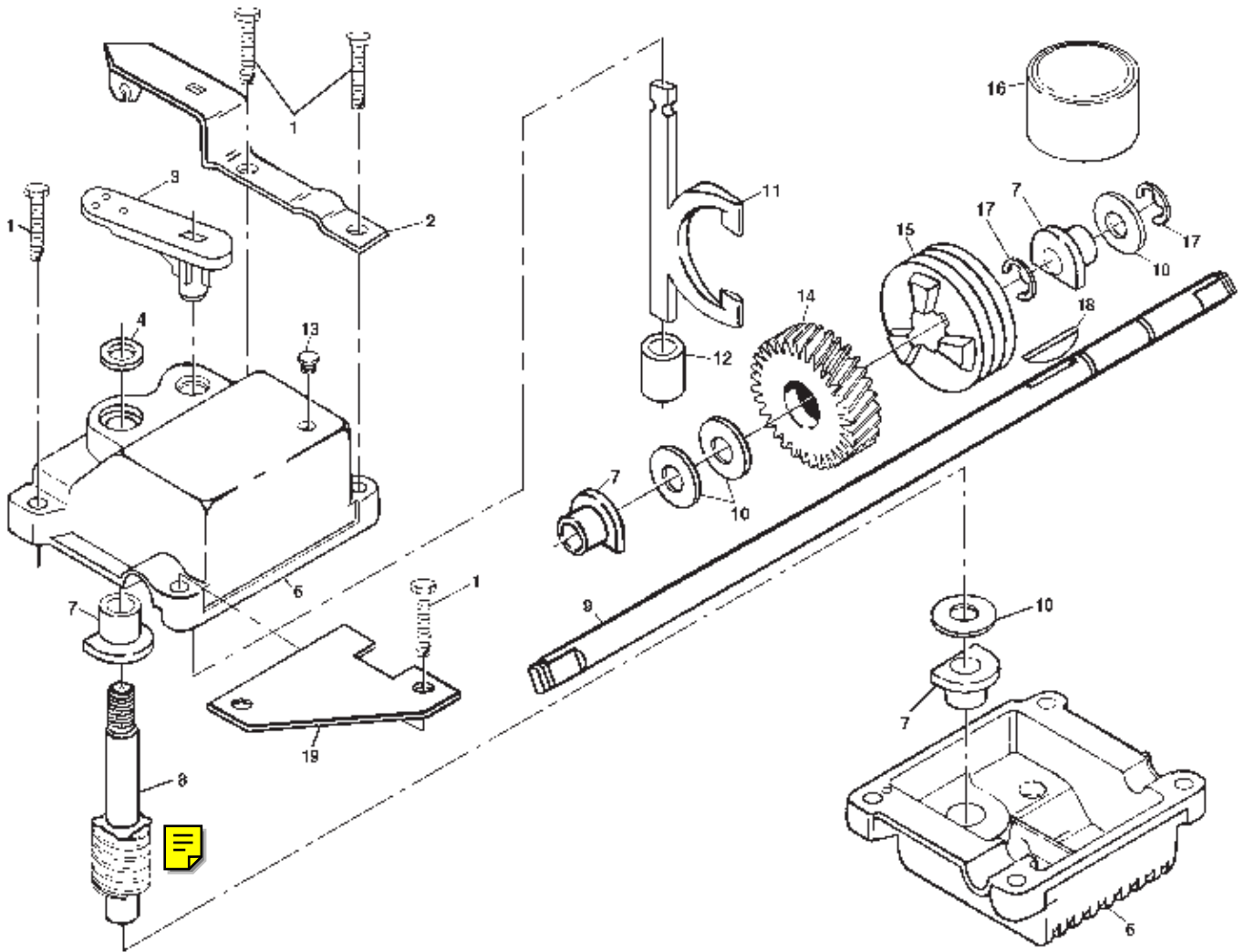
B

KEY NO.	PART NO.	DESCRIPTION	KEY NO.	PART NO.	DESCRIPTION
1	532142103	Dual Head Cable Control Assembly	20	532086012	Drive Shaft Cover
2	532144929	Hex Washer Hd Screw 1/4-20 x 2-1/8	22	532137090	Spring
3	532063601	Locknut	23	532048367	Gear Case Assembly
5	532146527	V-Belt	24	532850848	Hi-Pro Key
6	532750097	Hex Washer Head Screw #10-24 x 1/2	25	532075192	Spring
8	532132800	Selector Knob	27	532137052	Drive Pulley
9	532150495	Spring Retainer	28	532132010	Flanged Locknut
10	532151009	Wheel Adjuster Assembly (Left)	32	532146072	Pan Head Tapping Screw #10-
11	532151010	Wheel Adjuster Assembly (Right)	34	532700422	Drive Cover
12	532088080	Dust Cover	36	532063601	Locknut
13	532137054	Pinion	37	532057143	Spring Wave Washer
14	812000058	E-Ring			
15	532801156	Wheel & Tire Assembly 8.00 x 2.00			
17	532067725	Washer			
18	532083923	Locknut			
19	532850845	Hubcap			

*These Parts must be purchased through an authorized Briggs and Stratton Dealer.

C

GEAR CASE



Correction:

No 8: 532137051 Worm Shaft

No 9: 532137074 Drive Shaft

No 14: 532137050 Helical Gear

KEY NO.	PART NO.	DESCRIPTION
1	817490416	Tapping Screw 1/4-20 x 1-1/4
2	532140269	Engagement Bracket
3	532137053	Shifter
4	532057072	Seal
6	532048373	Gear Case Halves Kit (Includes Key Nos. 4, 5, and 7)
7	532077881	Bearing
8	532131481	Worm Shaft
9	532750436	Drive Shaft
10	532057079	Hardened Washer
11	532131484	Clutch Yoke
12	532700343	Bushing
13	532086447	Plug

KEY NO.	PART NO.	DESCRIPTION
14	532133804	Helical Gear
15	532750436	Clutch Jaw
16	532750369	Grease
17	812000003	E-Ring
18	532850848	Hi-Pro Key
19	532125441	Spring Bracket
20	532065692	Woodruff Key #3
21	532083680	Worm Gear

NOTE: All component dimensions given in U.S. inches.
1 inch = 25.4 mm