

# CRT 51



## 1.1997

**Spare parts**

**Ersatzteile**

**Pièces détachées**

**Reserve onderdelen**

**Repuestos**

**Reservdelar**

Replaces

Ersetzt

Remplace

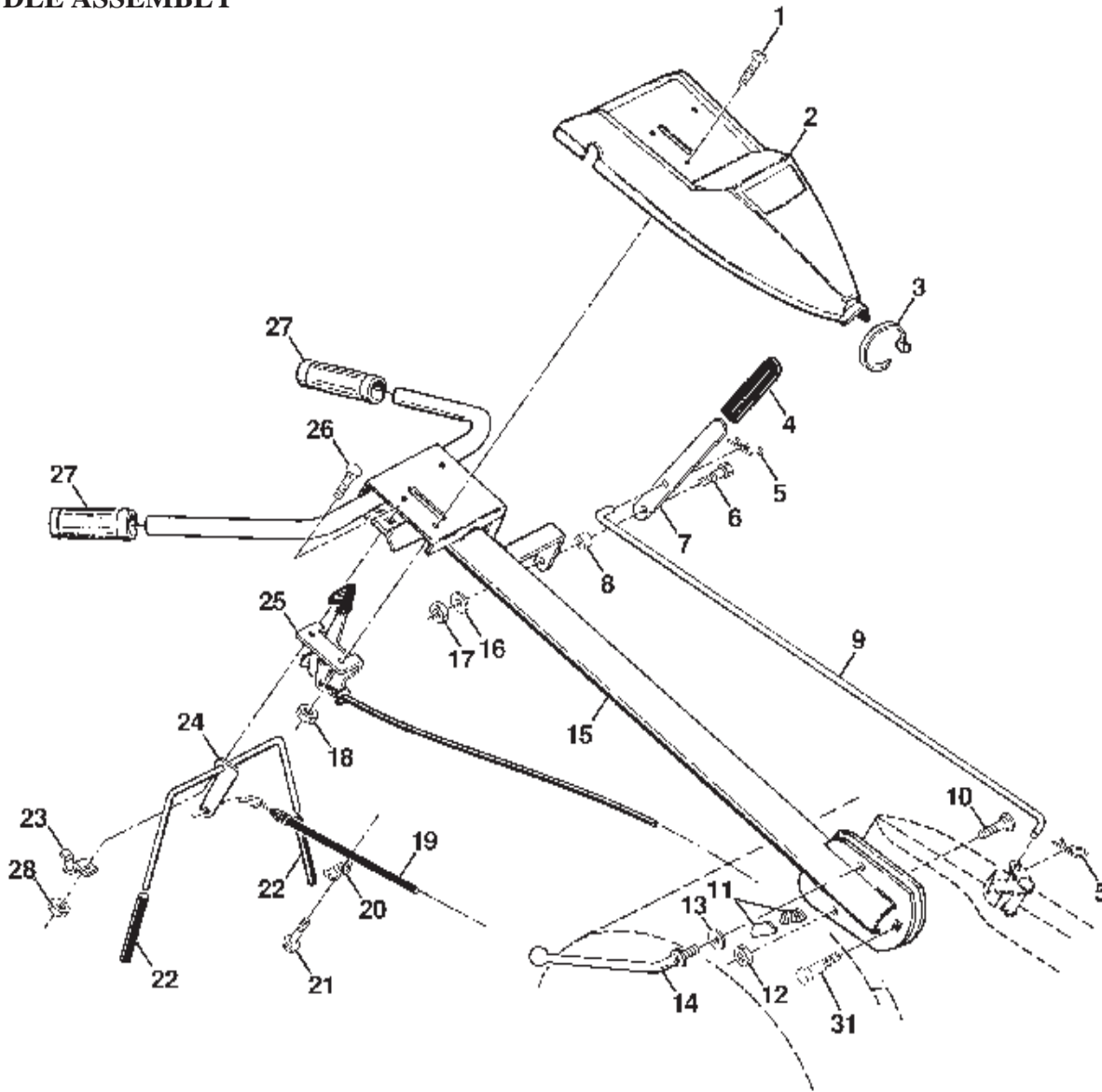
Vervangt

Reemplaza

Ersätter

# A

## HANDLE ASSEMBLY



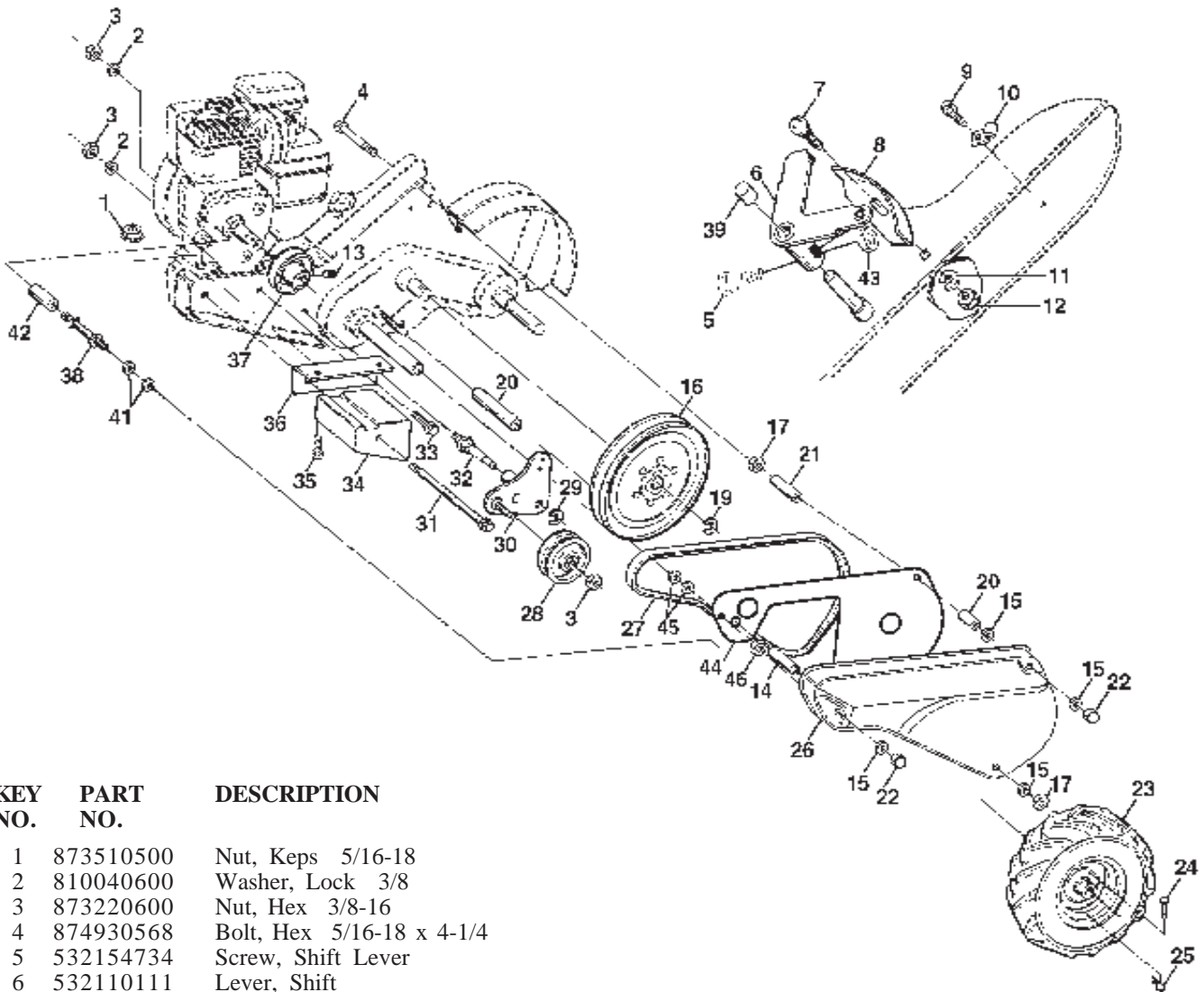
KEY NO.	PART NO.	DESCRIPTION
1	871191008	Screw, Truss Hd. #10-24 UNC x 1/2
2	532126956	Panel, Control
3	532104164	Tie, Cable
4	532124797	Grip, Handle
5	532124788	Clip, Hairpin
6	532081328	Bolt, Shoulder
7	532109335	Handle, Shift
8	532109313	Grommet, Rubber
9	532109337	Rod, Shift
10	872110608	Bolt, Carriage 3/8-16 x 1 Gr. 5
11	532109229	Lock, Handle
12	873930600	Nut, Centerlock 3/8-16
13	819131611	Washer 13/32 x 1 x 11 Ga.
14	532109228	Lever, Lock, Handle
15	532151596	Handle
16	810040400	Washer, Lock 1/4

KEY NO.	PART NO.	DESCRIPTION
17	873220400	Nut, Hex 1/4-20
18	873731000	Nut, Keps #10-24 UNC
19	532147668	Cable, Clutch
20	532009484	Clip
21	532086777	Screw, Hex Washer Hd. Slotted #10-24 x 1/2
22	532102604	Grip, Bar, Control
23	532102744	Clamp, Bar, Control
24	532105216	Bar Assembly, Control
25	532127012	Control, Throttle
26	872140404	Bolt, Carriage 1/4-20 UNC x 1/2
27	532009266	Grip, Handle
28	873510400	Nut, Keps Hex 1/4-20
31	532150696	Bolt, Pivot

**NOTE:** All component dimensions given in U.S. inches.  
1 inch = 25.4 mm

# B

## MAINFRAME, LEFT SIDE



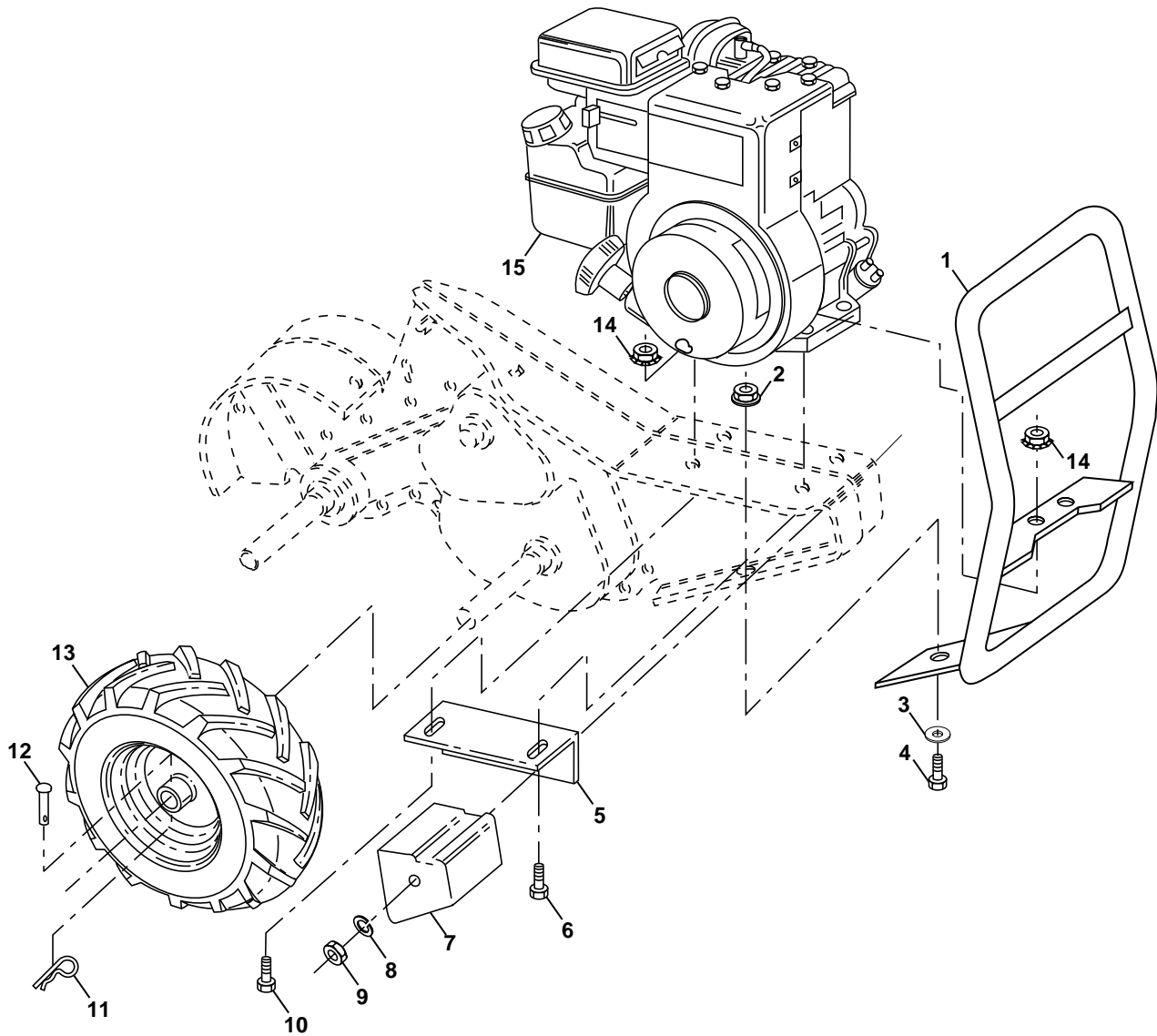
KEY NO.	PART NO.	DESCRIPTION
1	873510500	Nut, Keps 5/16-18
2	810040600	Washer, Lock 3/8
3	873220600	Nut, Hex 3/8-16
4	874930568	Bolt, Hex 5/16-18 x 4-1/4
5	532154734	Screw, Shift Lever
6	532110111	Lever, Shift
7	872110404	Bolt, Carriage 1/4-20 x 1/2 Gr. 5
8	532008700	Plate, Shift Indicator
9	532086777	Screw, Hex, Washer Head, Slotted #10-24 x 1/2
10	532009484	Clip
11	810040400	Washer, Lock 1/4
12	873220400	Nut, Hex 1/4-20
13	823230506	Screw, Set, Hex 5/16-18 x 3/8
14	532156117	Spacer, Split 0.327 x 0.42 x 1.220
15	819111116	Washer 11/32 x 11/16 x 16 Ga.
16	532145102	Sheave, Transmission
17	873220500	Nut, Hex 5/16-18
19	812000028	Ring, Retainer
20	532156115	Spacer, Split 0.327 x 0.42 x 1.44
21	532156116	Spacer, Split 0.327 x 0.42 x 1.875
22	532104214	Nut, Cap 5/16-18
23	532005015	Tire
	532124366	Rim
	532124718	Tire Valve
24	532126875	Rivet, Drilled
25	532124788	Clip, Hairpin
26	532125339	Guard, Belt
27	532132801	Belt, V
28	532104679	Pulley, Idler

KEY NO.	PART NO.	DESCRIPTION
29	812000032	Ring, Klip
30	532105611	Bracket, Idler
31	532102384	Bolt, Hex 5/16-16 x 12
32	532102141	Shaft, Idler Arm
33	874760616	Bolt, Hex 3/8-16 x 1
34	532102383	Counterweight, L. H.
35	874760532	Bolt, Hex 5/16-18 x 2
36	532102331	Bracket, Reinforcement, L. H.
37	532130812	Sheave, Engine
38	532145822	Stud, Guard Belt
39	532140062	Cap Plunger
41	8191111610	Washer 11/32 x 1 x 10 Ga.
42	532151004	Spacer
43	532069180	Nut, Lock #10-24
44	532156068	Shield, Guard Belt
45	819091210	Washer 9/32 x 3/4 x 10 Ga.
46	873800400	Nut, Lock 1/4-20

**NOTE:** All component dimensions given in U.S. inches.  
1 inch = 25.4 mm

# C

## MAINFRAME, RIGHT SIDE



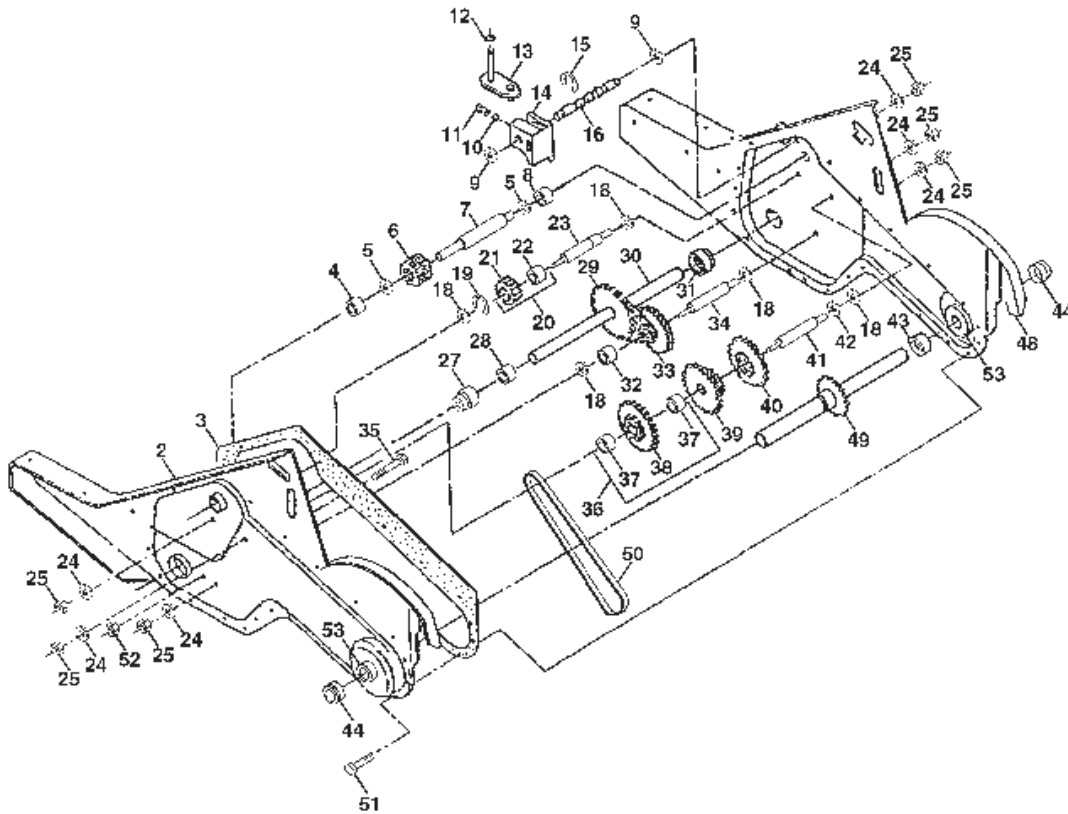
KEY NO.	PART NO.	DESCRIPTION
1	532146934	Bumper
2	873970500	Nut, Lock Hex Flange
3	819111116	Washer 11/32 x 11/16 x 16 Ga.
4	874760512	Bolt Hex Hd 5/16-18 x 3/4
5	532102332	Bracket, Reinforcement
6	874760532	Bolt, Hex 5/16-18 x 2
7	532102173	Counter Weight, R.H.
8	810040600	Washer, Lock 3/8
9	873220600	Nut, Hex 3/8-16
10	874760524	Bolt, Hex 5/16-18 x 1-1/2

KEY NO.	PART NO.	DESCRIPTION
11	532124788	Clip, Hairpin
12	532126875	Rivet, Drilled
13	532005015	Tire
	532124366	Rim
	532124718	Tire Valve
14	873510500	Nut, Keps 5/16-18
15	-----	Engine, Briggs & Stratton Model No. 137202

**NOTE:** All component dimensions given in U.S.inches.  
1 inch = 25.4 mm

# F

## TRANSMISSION

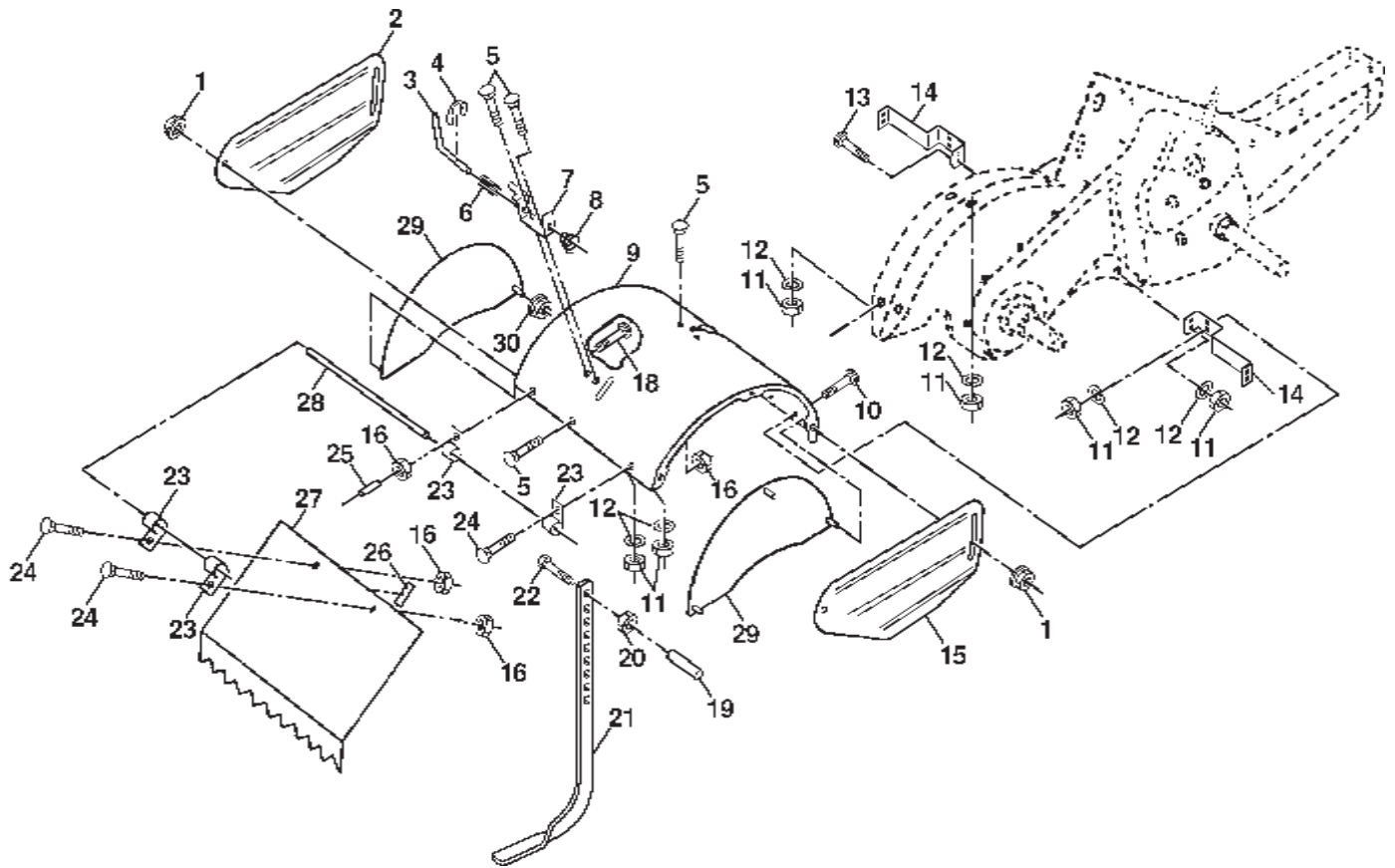


KEY NO.	PART NO.	DESCRIPTION	KEY NO.	PART NO.	DESCRIPTION
1	532154354	Transmission Assembly (Includes Key Nos. 2-53)	27	532143009	Bearing, Shaft, Ground Drive L.H.
2	532150698	Gearcase, L.H. w/Bearing (Includes Key No. 4)	28	532106390	Spacer 0.765 x 1.125 x 1.23
3	532106211	Gasket, Gearcase	29	532102134	Chain #35-50 Pitch
4	532005020	Bearing, Needle	30	532150737	Ground Shaft Assembly
5	532001370	Washer, Thrust 5/8 x 1.10 x 1/32	31	532143008	Bearing, Shaft, Ground Drive R.H.
6	532137335	Pinion, Input	32	532106388	Spacer 0.70 x 1.00 x 1.150
7	532145101	Shaft, Input	33	532102121	Sprocket and Gear Assembly
8	532124792	Bearing, Needle	34	532102112	Shaft, Reduction (2nd)
9	532154467	Washer, Seal	35	532102101	Screw, Whiz, Lock 5/16-18 x 3-1/2
10	532124697	Ball, Steel	36	532154355	Sprocket Assembly w/Bearing (Includes Key Nos. 37 and 38)
11	532100371	Spring, Shift, Fork	37	532124791	Bearing, Needle
12	532106160	O-Ring	38	532154356	Sprocket, Tine
13	532142145	Bracket, Asm. Shift CRT	39	532105345	Gear, Cluster, Red 1st & 2nd
14	532008353	Fork, Shift	40	532105346	Gear, Reverse
15	812000039	Ring, Klip	41	532008358	Shaft, Reduction (1st)
16	532154466	Shaft, Shift	42	532004220	Washer, Thrust
18	532004358	Washer	43	532106146	Spacer 1.01 x 1.75 x 0.760
19	812000040	Ring, Klip	44	532155236	Seal, Asm Oil
20	532102114	Gear, Assembly, Reverse Idler (Includes Key Nos. 21 and 22)	48	532150700	Gearcase, R.H. w/Bearing (Includes Key No. 8)
21	532102115	Gear, Reverse Idler	49	532132688	Shaft, Tine
22	532006803	Bearing, Needle	50	532106147	Chain, Roller #50-50 Pitch
23	532102111	Shaft, Reverse Idler	51	817720408	Screw,Thd Cut 1/4-20 x 1/2
24	810040700	Washer, Lock 7/16	52	873220500	Nut, Hex 5/16-18
25	873610700	Nut, Hex 7/16-20	53	532122204	Kit Bearing
			--	532006066	Grease, Plastilube #1

**NOTE:** All component dimensions given in U.S. inches.  
1 inch = 25.4 mm

# D

## TINE SHIELD



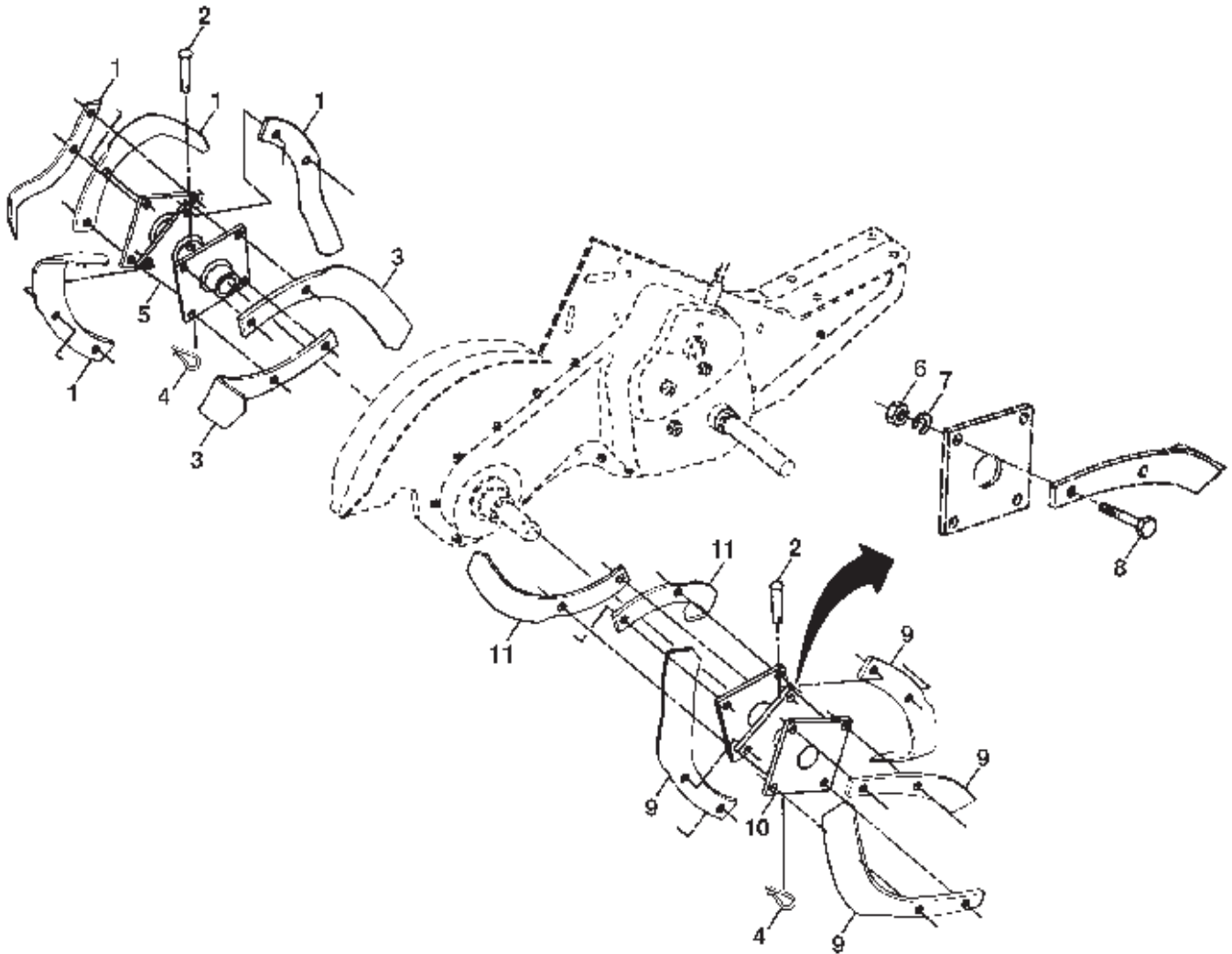
KEY NO.	PART NO.	DESCRIPTION	KEY NO.	PART NO.	DESCRIPTION
1	898000129	Nut, Flange 5/16-18	16	873510400	Nut, Keps Hex 1/4-20
2	532125012	Shield, Side, Outer L. H.	18	872040410	Bolt, Carriage 1/4-20 x 1-1/4 Gr. 5
3	532008393	Pin, Stake, Depth	19	532102701	Grip
4	812000036	Ring, Klip	20	873220600	Nut, Hex 3/8-16
5	872140506	Bolt, Carriage 5/16-18 x 3/4 Gr 5	21	532102156	Stake, Depth
6	532008394	Spring	22	874930632	Bolt, Hex 3/8-16 x 2
7	532008392	Bracket, Latch	23	532004440	Hinge
8	532109230	Spring, Depth Stake	24	872140404	Bolt, Carriage 1/4-20 x 1/2 Gr. 5
9	532142292	Shield, Tine	25	532124717	Cap, Vinyl
10	872140508	Bolt, Carriage 5/16-18 x 1	26	532109227	Pad, Idler
11	873220500	Nut, Hex 5/16-18	27	532125016	Shield, Leveling
12	810040500	Washer, Lock 5/16	28	532120588	Pin, Hinge
13	872110510	Bolt, Carriage 5/16-18 x 1-1/4	29	532142293	Shield, Side
14	532124311	Bracket, Shield Tine	30	873970500	Nut, Lock Hx Flange
15	532125015	Shield, Side, Outer R.H.			

**NOTE:** All component dimensions given in U.S. inches.  
1 inch = 25.4 mm



# E

## TINE ASSEMBLY



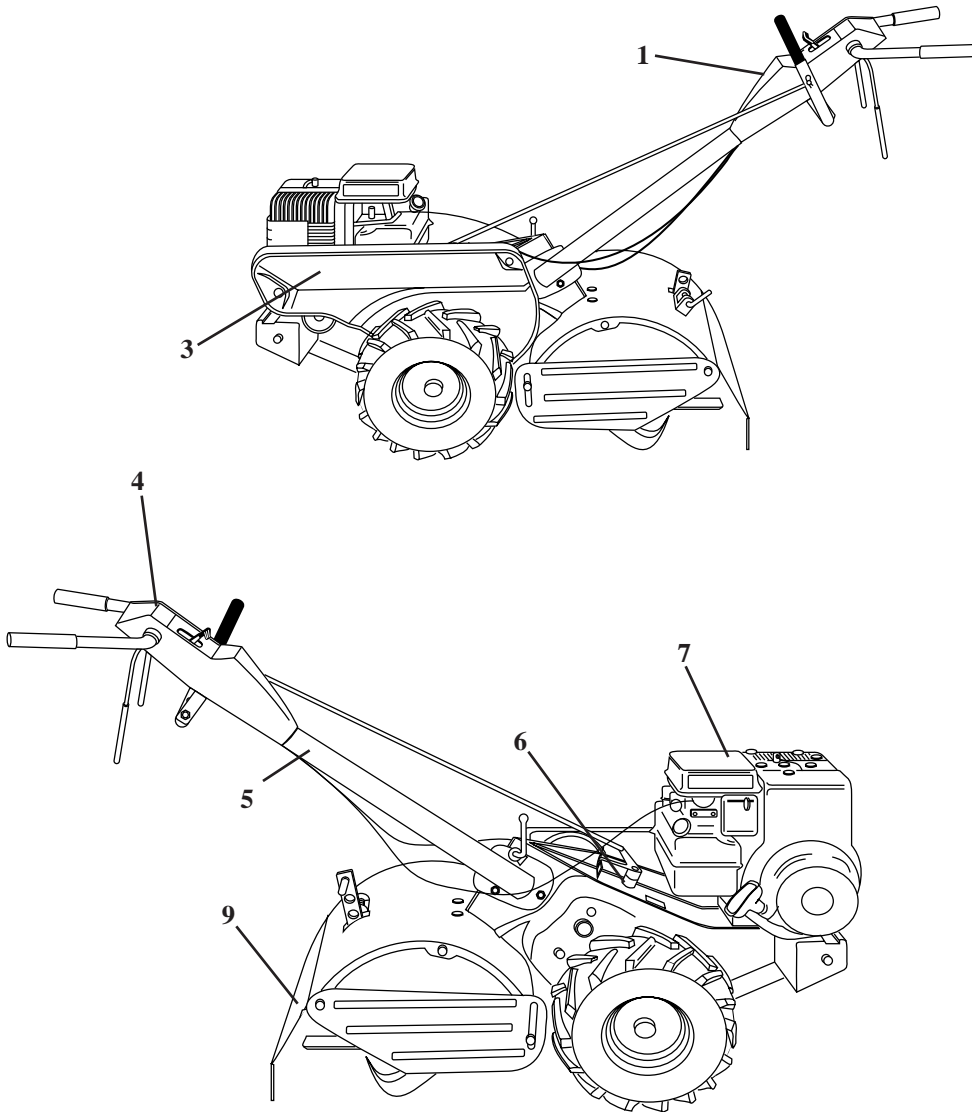
KEY NO.	PART NO.	DESCRIPTION
1	532006554	Tine, Outer, L.H.
2	532132673	Clevis Pin
3	532006554	Tine, Inner, L.H.
4	532124660	Clip, Hairpin
5	532132727	Assembly, Hub and Plate, L.H.
6	873610600	Nut, Hex 3/8-24
7	810040600	Washer, Lock 3/8

KEY NO.	PART NO.	DESCRIPTION
8	874610616	Bolt, Hex 3/8-24 x 1
9	532006555	Tine, Outer, R.H.
10	532132728	Assembly, Hub and Plate, R.H.
11	532006555	Tine, Inner, R.H.

**NOTE:** All component dimensions given in U.S. inches.  
1 inch = 25.4 mm

# G

## DECALS



KEY NO.	PART NO.	DESCRIPTION
1	532155449	Decal, Logo
3	532155447	Decal, Logo
4	532155856	Decal, Instruction, Tilling
5	532110614	Decal, Hand Placement
6	532104323	Decal, Shift Indicator
7	532110612	Decal, Caution
9	532156129	Decal, Warning, Rotating Tines