

YTH 160



1.1997

Spare parts

Ersatzteile

Pièces détachées

Reserve onderdelen

Repuestos

Reservdelar

Replaces

Ersetzt

Remplace

Vervangt

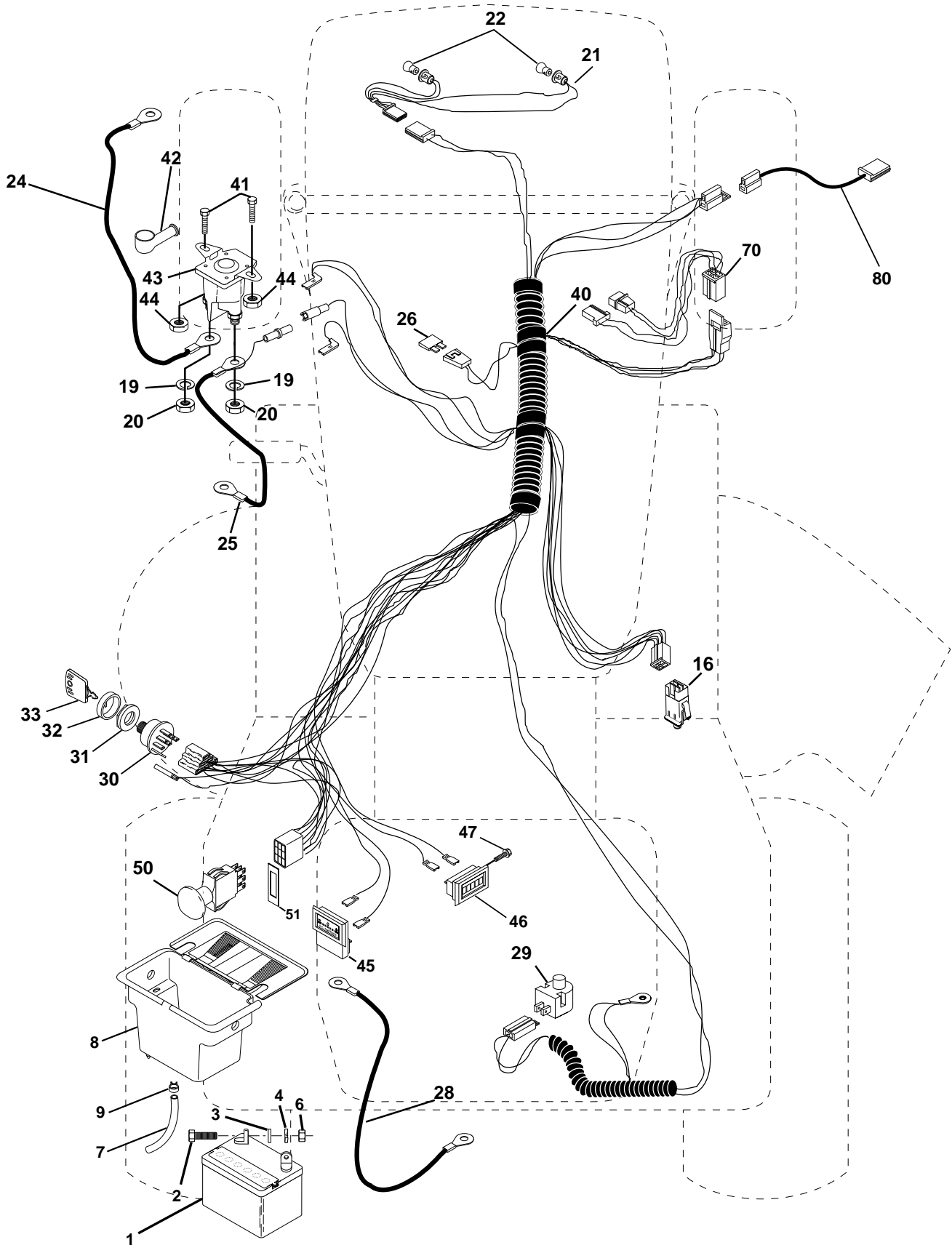
Reemplaza

Ersätter

REPAIR PARTS

TRACTOR - MODEL NO. YTH160 (HEYTH160C), PRODUCT NO. 954 17 00-05

ELECTRICAL



P

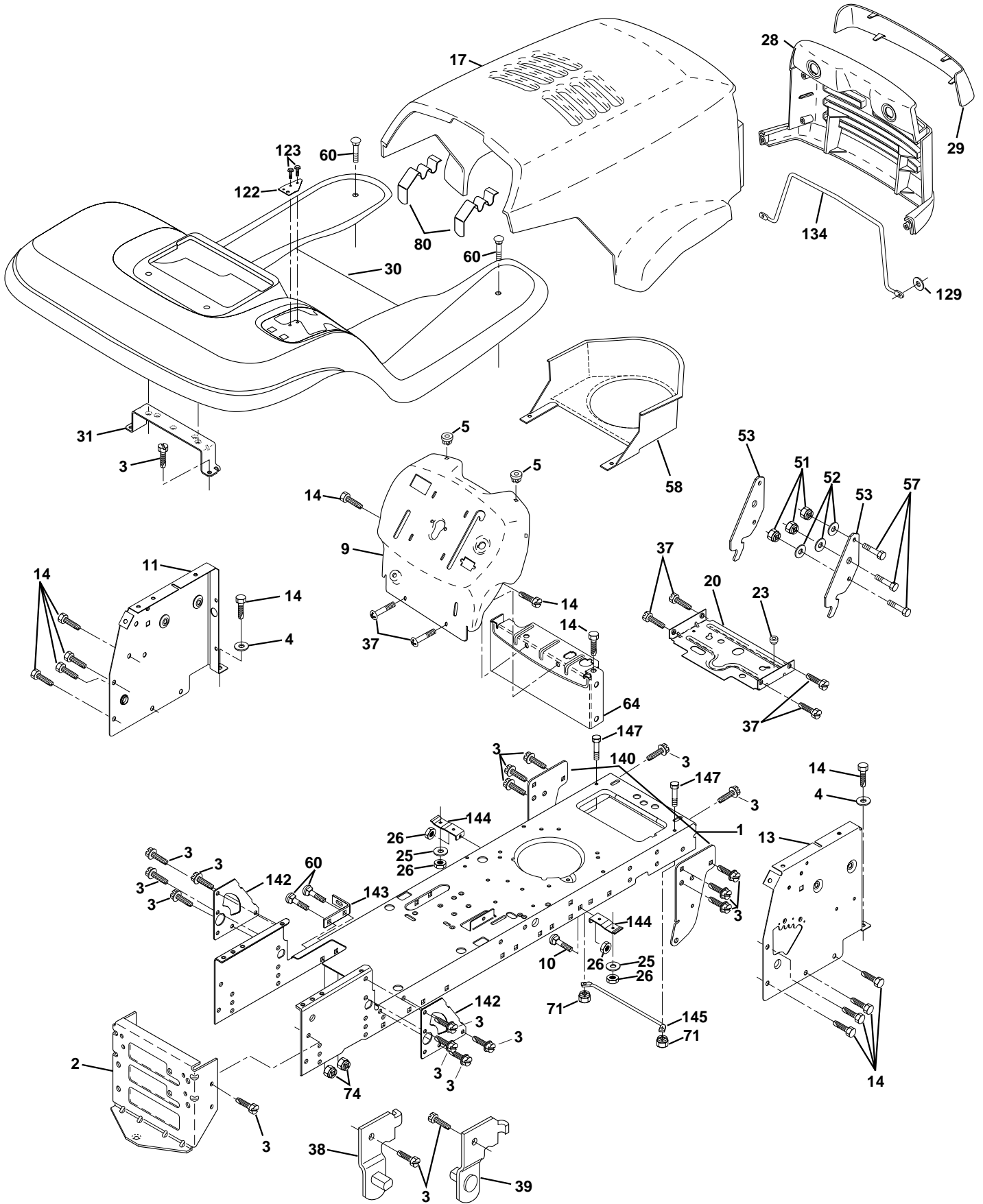
ELECTRICAL

KEY NO.	PART NO.	DESCRIPTION
1	532123899	Battery 12 VOLT 25 AMP
2	874760412	Bolt Hex Hd 1/4-20unc X 3/4
3	819091016	Washer 9/32 X 5/8 X 16 Ga
4	810040400	Washer Lock Hvy Helical 1/4
6	873220400	Nut Fin Hex 1/4-20 Unc
7	532109238	Tube Plastic 12"
8	532156417	Case Battery Mech. Hinge
9	532109596	Clamp Hose Olive
16	532153664	Switch Interlock Push-In
19	810090400	Washer Lock 1/4
20	873350400	Nut Jam Hex 1/4-20 Unc
21	532136850	Harness Asm Light W/4152J
22	532004152	Bulb Light #1156
24	532124780	Cable Battery 6 Ga 11"red
25	532146147	Cable Battery 6 Ga W/16 Ga Wire 44"
26	532108824	Fuse 30 AMP Auto Green
28	532124773	Cable Ground 6 Ga 12"black
29	532121305	Switch Plunger Nc Gray
30	532140301	Switch Ignition 4 Pos
31	532124211	Nut Ignition
32	532141226	Cover Sw Key Blk 1 25 Text SLT
33	532122147	Key Ign Molded Generic
40	532156443	Harness Ign.
41	871110408	Bolt Hex Hd. Fin 1/4-20 x 1/2 Gr. 5
42	532131563	Cover Terminal Red
43	532145673	Solenoid
44	873640400	Nut Keps Hex 1/4-20 Unc
45	532121433	Rectangular 6amp Ammeter
46	532110940	Meter, Hour
47	817011008	Screw 10-24 x 1/2 Black
50	532154959	Switch PTO 3 PDT Black
51	532140405	Ring Retainer PTO
70	532140422	Harness Engine 14 OHV Dual
80	532146685	Harness Clutch Evx

NOTE: All component dimensions given in U.S. inches
1 inch = 25.4 mm.

A

ENCLOSURES



A

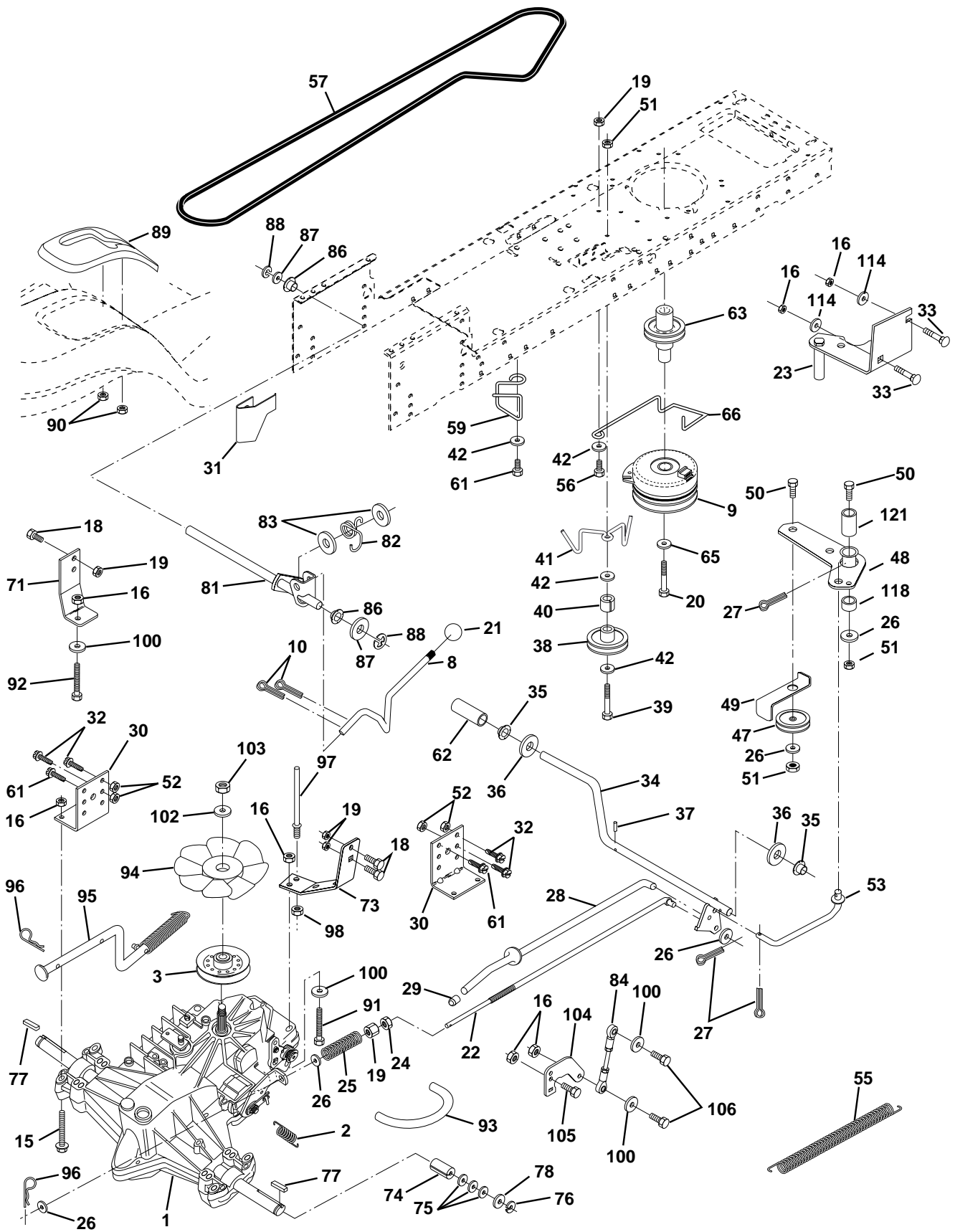
ENCLOSURES

KEY NO.	PART NO.	DESCRIPTION
1	532153871	Chassis Weldment
2	532140356	Drawbar, Stretch
3	817490612	Screw Thdrol 3/8-16x3/4 Ty-tt
4	819131216	Washer 13/32 x 3/4 x 16 Ga.
5	532155272	Bumper Hood/Dash
9	532156490	Dash P/L
10	872140608	Bolt Carriage 3/8-16 x 1
11	532155927	Panel Dash Lh
13	532153913	Panel Dash Rh
14	817490608	Screw Thdrol 3/8-16x1/2 Ty-tt
17	532156051	Hood LT/PL Husqvarna
20	532156437	Plate Mtg Battery Fuel Tank Fr
23	532124028	Bushing
25	819131312	Washer 13/32 X 13/16 X 12 Ga
26	873800600	Nut Lock Hex W/Ins 3/8-16 Unc
28	532149776	Grille LT/PL Husqvarna
29	532149777	Lens LT/PL Husqvarna
30	532156489	Fender Footrest STLT Pnt
31	532139976	Bracket Support Fender
37	817490508	Screw Thdrol 6/16-18 x 1/2 TYT
38	532139886	Bracket, Asm. Pivot, L.H., Mower Rear
39	532139887	Bracket, Asm. Pivot, R.H., Mower Rear
51	873800400	Nut Lock Hex W/Ins 1/4-20
52	819091416	Washer 9/32 x 7/8 x 16 Ga.
53	532150067	Bracket Pnt. Pick off LT/PL Husqvarna
57	874780412	Bolt Hex 1/4-20 x 3/4
58	532150127	Air Duct Engine P/L
60	872140606	Bolt Rdhd Sqnk 3/8-16unc x 3/4
64	532154798	Dash Lower STLT
74	873680600	Nut Crownlock 3/8-16 UNC
80	532155854	Latch Hood Plm Husqvarna
122	532157301	Bracket Shift STLT
123	532152927	Screw
129	819091016	Washer 9/32 x 5/8 x 16 Ga.
134	532150132	Rod Support Hood LT/PL Husq.
140	532150556	Bracket Chassis Front 7 Ga.
142	532156095	Plate Reinforcement STLT
143	532154966	Bracket Swaybar Chassis
144	532154207	Bracket Pnt Footrest STLT

NOTE: All component dimensions given in U. S. inches
1 inch = 25.4 mm

L

DRIVE



L

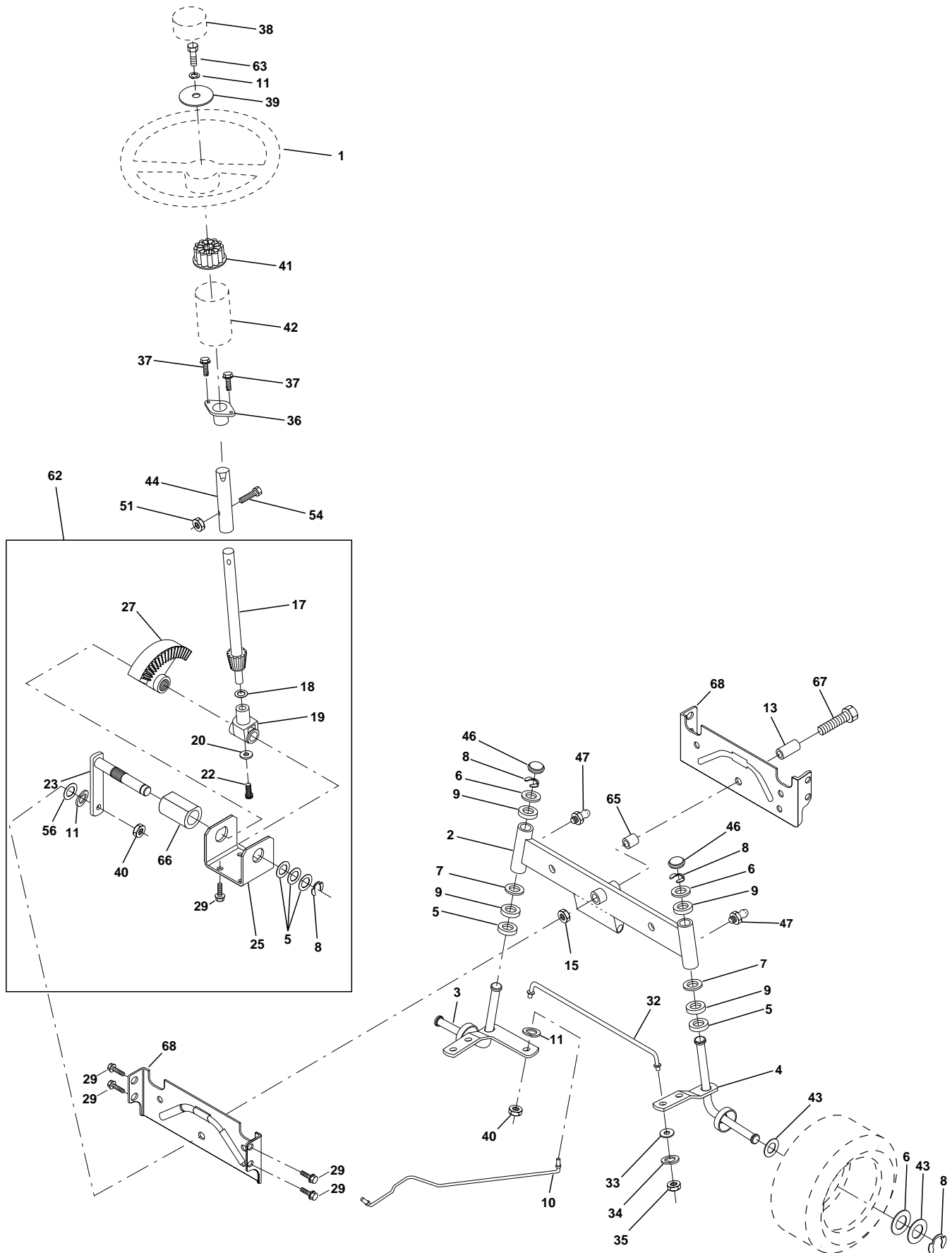
DRIVE

KEY NO.	PART NO.	DESCRIPTION	KEY NO.	PART NO.	DESCRIPTION
1	-----	Transaxle Hydro Gear	59	532140312	Keeper, Center Span
2	532142431	Spring, Return, Brake	61	817490612	Screw Thdrol. 3/8-16 x 3/4 TYTT
3	532143995	Pulley, Transaxle	62	532123533	Cover, Pedal
8	532154792	Rod Shift Fender	63	532145868	Pulley, Engine
9	532145028	Clutch Electric	65	810040700	Washer
10	876020416	Pin Cotter 1/8 x 1 CAD	66	532154778	Keeper Belt Engine F-Proof
15	874490544	Bolt Hex Flghd 5/16-18 Gr. 5	73	532156347	Strap Torque Rh Hydro
16	873800500	Nut Lock Hex W/Ins. 5/16-18 Unc	71	532140158	Strap Torque Lh Hydro 18/20" T
18	874780616	Bolt Fin Hex 3/8-16 Unc x 1 Gr.5	74	532121199	Spacer, Split
19	873800600	Nut Lock Hex W/Wsh 3/8-16 Unc	75	532121749	Washer 25/32 x 1-1/4 x 16 Ga.
20	532150280	Bolt, Hex 7/16-20 x 4-1/4	76	812000001	E-Ring
21	532121274	Knob Duckhead	77	532123583	Key, Square
22	532145627	Rod, Brake Hydro	78	532121748	Washer 25/32 x 1-5/8 x 16 Ga.
23	532154978	Bracket Asm Mtg CL Evx	81	532156046	Shaft Asm. Cross Hydro 6 50
24	873350600	Locknut	82	532123782	Spring Torsion T/A
25	532106888	Spring, Brake Rod	83	819171216	Washer 17/32 x 3/4 x 16 Ga.
26	819131316	Washer	84	532140548	Rod, Tie Hydro 20" Tires
27	876020412	Pin Cotter 1/8 x 3/4 CAD.	86	532071208	Bushing Rod Strig. 629/632 ID
28	532145204	Rod, Parking Brake	87	819212016	Washer 21/32 x 1-1/4 x 16 Ga.
29	532071673	Cap,Parking Brake	88	812000008	Ring Klip #5304-62
30	532130807	Bracket, Transaxle	89	532154882	Console, Shift
31	532127275	Keeper Belt Lh	90	532124346	Nut, Self Thd Wsh Hd 1/4 Zinc
32	874760512	Bolt Hex Hd 5/16-18 Unc x 3/4	91	874780536	Bolt Fin Hex 5/16-18 x 2-1/4
33	872140506	Bolt Carriage 5/16-18 UNC x 3/4	92	874780524	Bolt Fin Hex 5/16-18 Unc x 1-1/2
34	532155071	Shaft, Foot Pedal	93	532142564	Line Fuel Hydro 4"
35	532120183	Bearing, Nylon	94	532140462	Fan, Hydro 7"
36	819211616	Washer	95	532144643	Control Asm. Bypass Hydro
37	532124963	Pin, Roll	96	532124788	Retainer Spring 1" Zinc/Cad
38	532123674	Pulley, Idler, Flat	97	532140469	Keeper Belt Rh Hydro 0750.18/20"
39	874760644	Bolt	98	873510600	Nut Keps Hex 3/8-16 Unc
40	532124965	Spacer Split	100	819111216	Washer 11/32 x 3/4 x 16 Ga.
41	532154777	Keeper, Belt Idler Fool-Proof	102	532141322	Washer Belleville .501D x 1.50D
42	819131312	Washer 13/32 x 13/16 x 12 Gauge	103	873940800	Nut Hex Jam Toplock 1/2-20 Unf
47	532127783	Pulley, Idler, V-Groove	104	532140156	Arm, Control Hydro
48	532154604	Bellcrank Assembly Clutch	105	871070516	Screw Cap Hex 5/16 x 18 x 1
49	532123205	Retainer, Belt	106	874780520	Bolt Fin Hex 5/16-18 Unc x 1-1/4
50	874760624	Bolt	114	819111214	Washer 11/32 x 3/4 x 14 Ga.
51	873680600	Nut	118	532154774	Spacer Bellcrank
52	873680500	Nut Crown Lock 5/16-18	121	532154419	Nyliner Clutching STL
53	532105710	Link, Clutch			
55	532105709	Spring, Return, Clutch			
56	874760620	Bolt			
57	531006042	V-Belt, Ground Drive			

NOTE: All component dimensions given in U.S. inches
1 inch = 25.4 mm.

H

STEERING ASSEMBLY



H

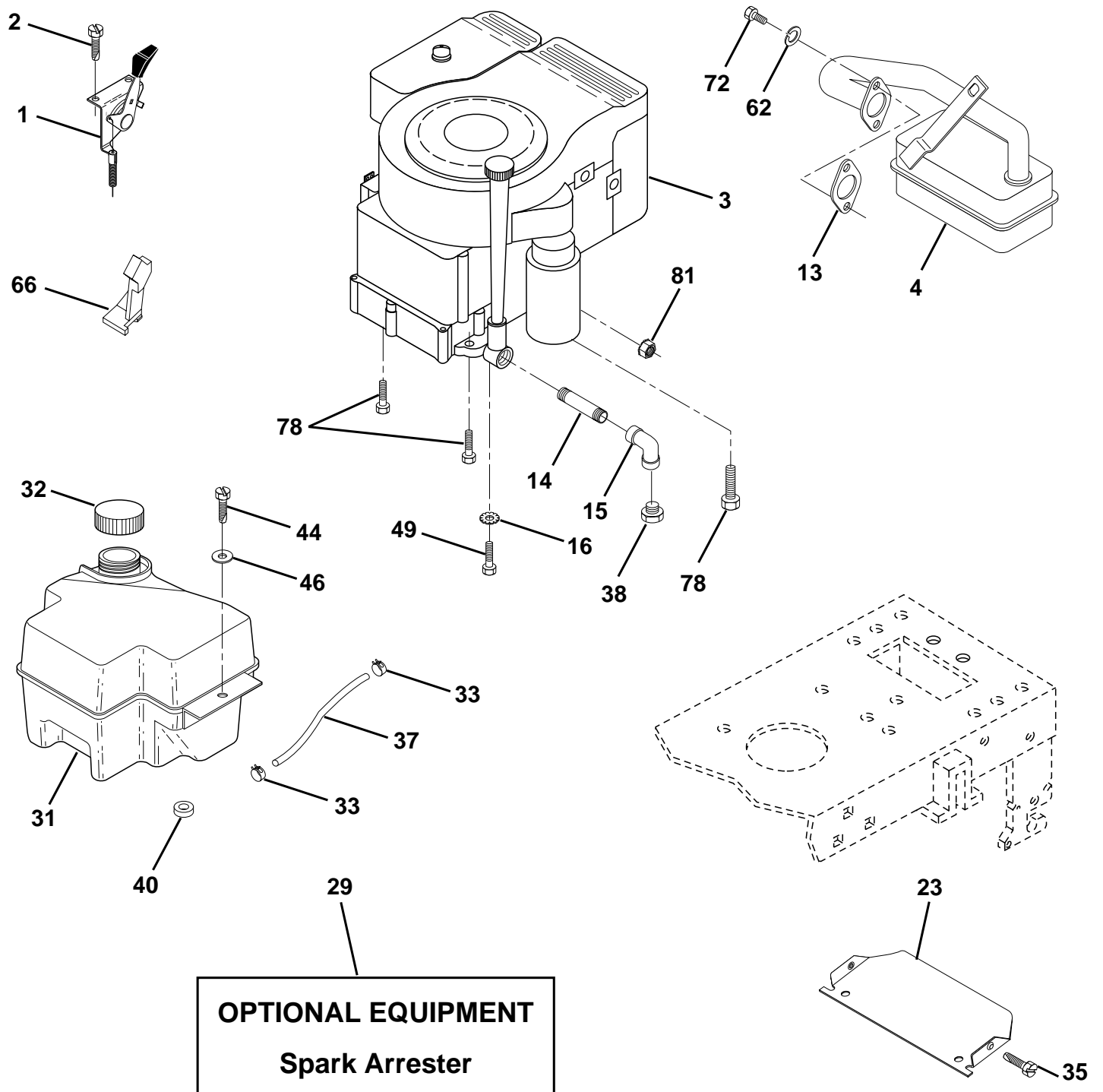
STEERING ASSEMBLY

KEY NO.	PART NO.	DESCRIPTION
1	532124415	Wheel Steering
2	532154427	Axle Asm Stamp Dropped STL
3	532154422	Spindle Asm Stmp LH
4	532154423	Spindle Asm Stmp RH
5	532124931	Bearing Race Thrust Harden
6	532121748	Washer 25/32 X 1-5/8 X 16 Ga
7	819272016	Washer 27/32 X 1-1/4 X 16 Ga
8	812000029	Ring Klip #t5304-75
9	532124937	Bearing Col Strg Blk
10	532156438	Link Drag Extended Stamped
11	810040600	Washer Lock Hvy Hlcl Spr 3/8
13	532154779	Bearing Axle STLT
15	873901000	Nut Lock Flange 5/8-11 Unc
17	532156546	Shaft Asm Strg Private Label
18	532057079	Washer Thrust 515x 750x 033
19	532124035	Support Shaft
20	532126684	Washer Shim 1/4 X 5/8 X 062
21	810040400	Washer Lock Hvy Helical 1/4
22	871100410	Screw Cap Sckt Hd Phos & Oil
23	532127501	Shaft Asm Pittman
25	532154406	Bracket Steering
27	532136874	Gear Sector 22 Teeth
29	817490612	Screw Thdrol 3/8-16x3/4 Ty-tt
32	532139929	Rod Tie
33	819111216	Washer 11/32 x 3/4 x 16 Ga.
34	810040400	Washer Lock Hvy HCLC Spr. 5/16
35	873810500	Locknut 5/16-24 UNF
36	532155099	Bushing Strg
37	532152927	Screw TT #32.5 x 5 x 3/8 Flange
38	532124416	Cap Wheel Steer
39	819133808	Washer 13/32 x 2-3/8 x 8 Ga.
40	532124701	Nut Lock Center 3/8-24 Unf
41	532100711	Adaptor Wheel Strg
42	532155092	Boot Dash Steering
43	532121749	Washer 25/32 X 1 1/4 X 16 Ga
44	532153720	Extension Steering Non-adjust
46	532121232	Cap Spindle Fr Top Blk
47	532124836	Fitting Grease
51	873800500	Nut Lock Hex W/Ins 5/16-18 UNC
54	874780520	Bolt Fin Hex 5/16-18 UNC x 1-1/4
62	532156594	Steering Assembly
63	874780616	Bolt Fin Hex 3/8-16 UNC x 1 Gr. 5
65	532145780	Spacer
66	532154404	Bearing Arm Pittman
67	874781044	Bolt Fin Hex 5/8-11 UNC x 2-3/4
68	532154429	Brace, Axle

NOTE: All component dimensions given in U.S. inches
1 inch = 25.4 mm.

F

ENGINE



F

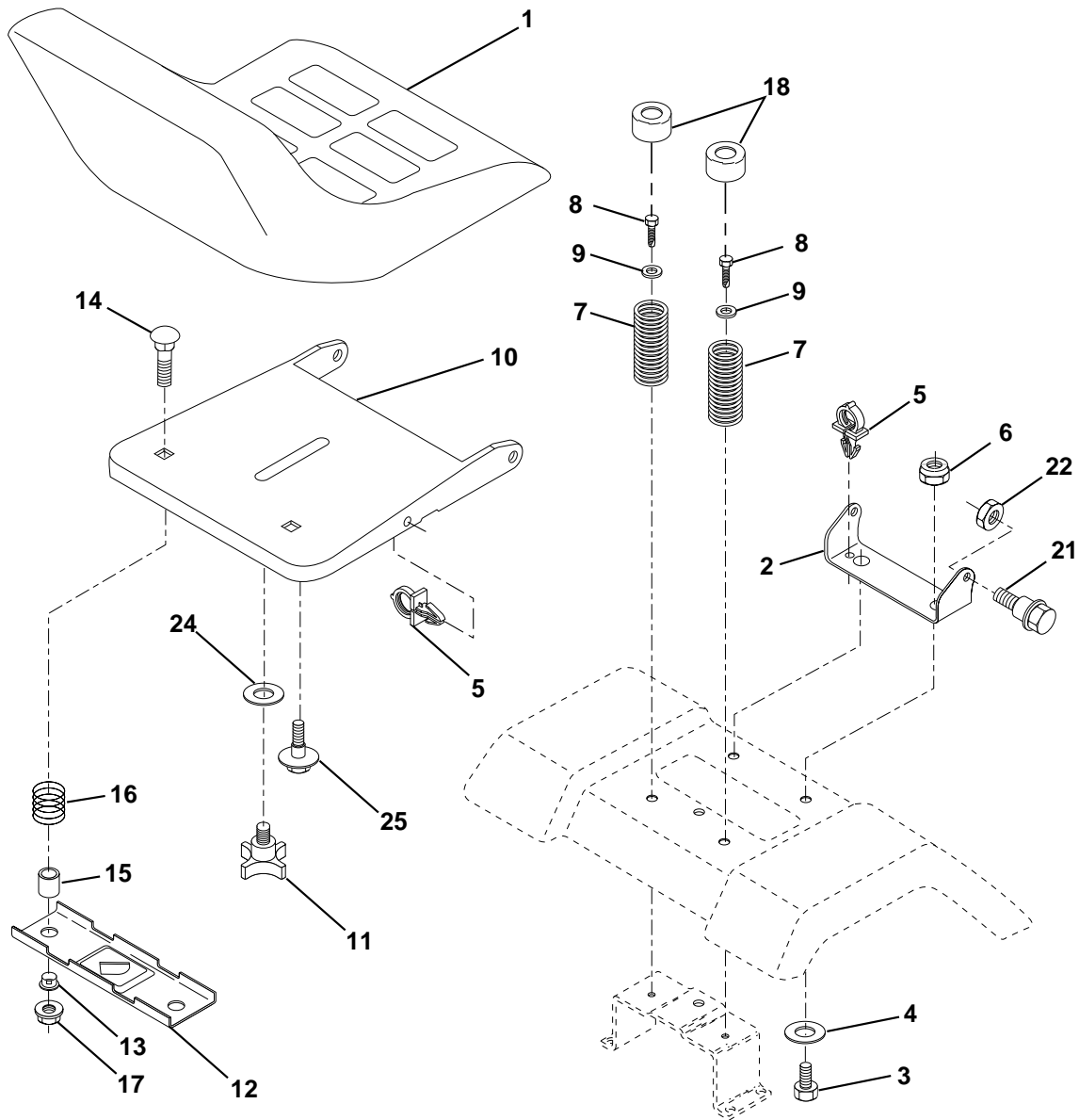
ENGINE

KEY NO.	PART NO.	DESCRIPTION
1	532141359	Control Th/ch LH Blk
2	817720410	Screw Hex Thd Cut 1/4-20x5/8 T
3	-----	Engine Briggs Model No. 28Q777
4	532137352	Muffler LT B&S 14HP Ic/ohv
13	532272293	Gasket Eng 1 313 Id Tin Plated
14	813280324	Nipple Pipe 3/8 Npt X 3"
15	813200300	Elbow Std 90 Degree 3/8-18 Npt
16	811050600	Washer Lock Ext Tooth 3/8
23	532156123	Shield Browning
29	532137180	Kit Spark Arrestor
31	532140280	Tank Fuel Front 2 00
32	532140527	Cap Asm Fuel Top Vented N/Lang
33	532123487	Clamp Hose Black
35	817490512	Screw Thdrol 5/16-18 x 3/4
37	532137040	Line Fuel 20" Front Fuel Tank
38	-----	Plug Oil Drain (Order From Engine Manufacturer)
40	532124028	Bushing Snap Nyl Blk Fuel Line
44	817490412	Screw Hex Wash Thdrol 1/4-20 x 3/4
46	819091416	Washer 9/32 x 7/8 x 16 Ga.
49	817490616	Screw Thdrol. 3/8-16 x 1 TY-TT
62	810040500	Washer Lock Hvy Hlcl Spr 5/16
66	532127951	Stop Throttle
72	871070512	Screw Hexhd Cap 5/16-18x3/4
78	817490620	Screw Thdrol 3/8-16x1-1/4 TYTT
81	532128861	Nut Flange 1/4-20 Starter Nut

NOTE: All component dimensions given in U.S. inches
1 inch = 25.4 mm

C

SEAT ASSEMBLY



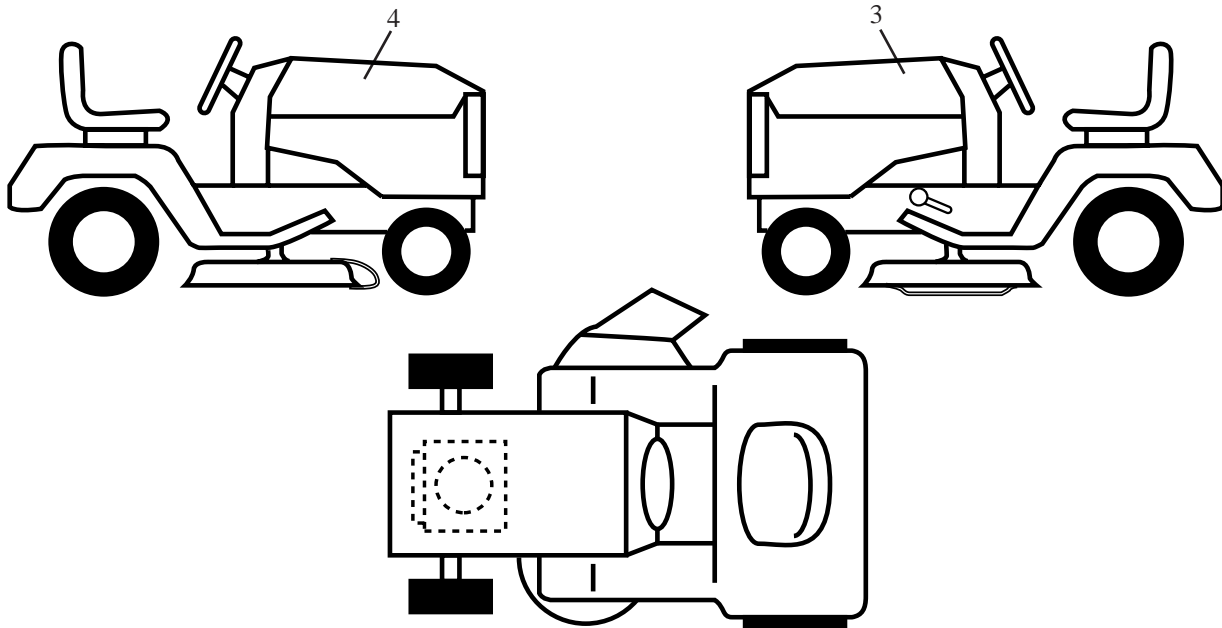
KEY NO.	PART NO.	DESCRIPTION
1	532141525	Seat
2	532140551	Bracket Pivot Seat 8 720
3	874760616	Bolt Hex 3/8-16unc x 1
4	819131610	Washer 13/32 X 1 X 10 Ga
5	532145006	Clip Push-In Hinged
6	873800600	Nut Lock Hex w/Ins. 3/8-16 Unc
7	532124181	Spring Seat Cprsn 2 250 Blk Zi
8	817490616	Screw Thdrol 3/8-16 X 1 Ty-tt
9	819131614	Washer 13/32 X 1 X 14 Ga
10	532155925	Pan Seat
11	532120068	Knob Seat 1/2-13 UNC
12	532121246	Bracket Mounting Switch

KEY NO.	PART NO.	DESCRIPTION
13	532121248	Bushing Snap Blk Nyl 50 Id
14	872050411	Bolt Rdhd Sht Nk 1/4-20x1-3/8
15	532121249	Spacer Split 28x 88 Zinc
16	532123740	Spring Cprsn 1 310 Blk Pnt
17	532123976	Nut Lock 1/4 Lge Flg Gr 5 Zinc
18	532124238	Cap Spring Seat
21	532153236	Bolt Shoulder 5/16-18 Unc-2A
22	873680500	Nut Crown Lock 5/16-18
24	819171912	Washer 17/32 X 1-3/16 X 12 Ga
25	532127018	Bolt Shoulder 5/16-18 X 62

NOTE: All component dimensions given in U.S. inches
1 inch = 25.4 mm.

R

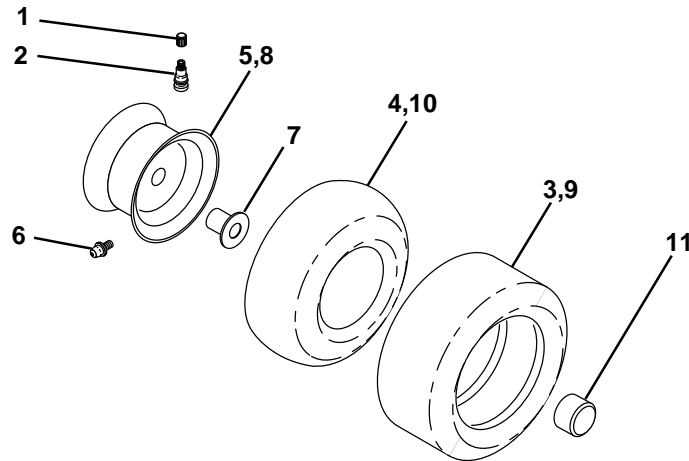
DECALS



KEY NO.	PART NO.	DESCRIPTION
3	532151333	Decal, Hood, L. H.
4	532151330	Decal, Hood, R.H.

R

WHEELS & TIRES

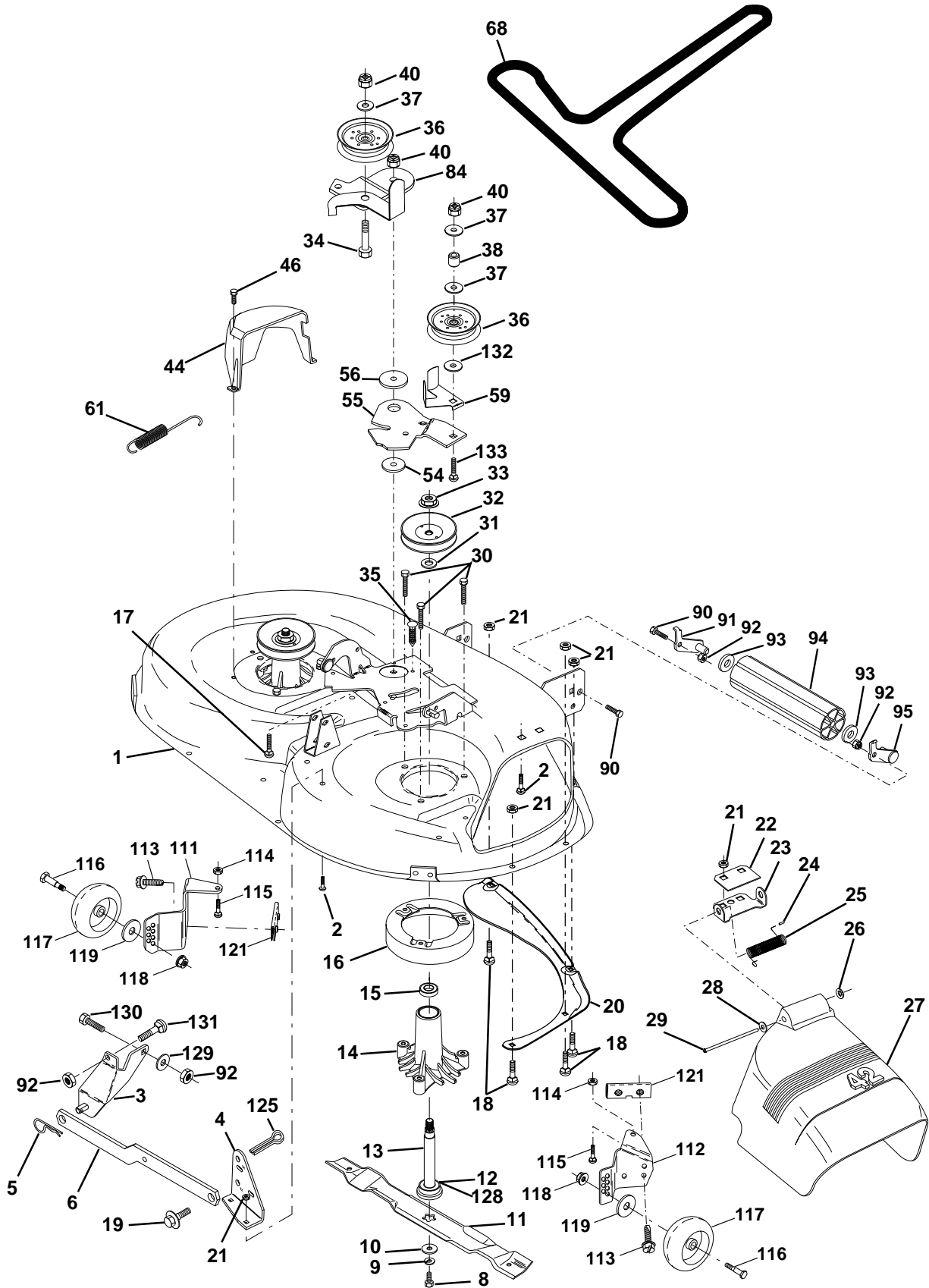


KEY NO.	PART NO.	DESCRIPTION
1	532059192	Cap Valve Tire
2	532065139	Stem Valve
3	532106222	Tire F Ts 15 X 6 0 - 6 Service
4	532059904	Tube Front (Service Item Only)
5	532138336	Rim Asm 6"front Silver Service
6	532124957	Fitting Grease (Front Wheel Only)
7	532124959	Bearing Flange (Front Wheel Only)
8	532138337	Rim Asm 8"rear Silver Service
9	532122082	Tire R Ts 20x10-8 C Service
10	532124926	Tube Rear (Service Item Only)
11	532104757	Cap Axle Blk 1 50 X 1 00

NOTE: All component dimensions given in U.S. inches
1 inch = 25.4 mm

M

MOWERDECK



M

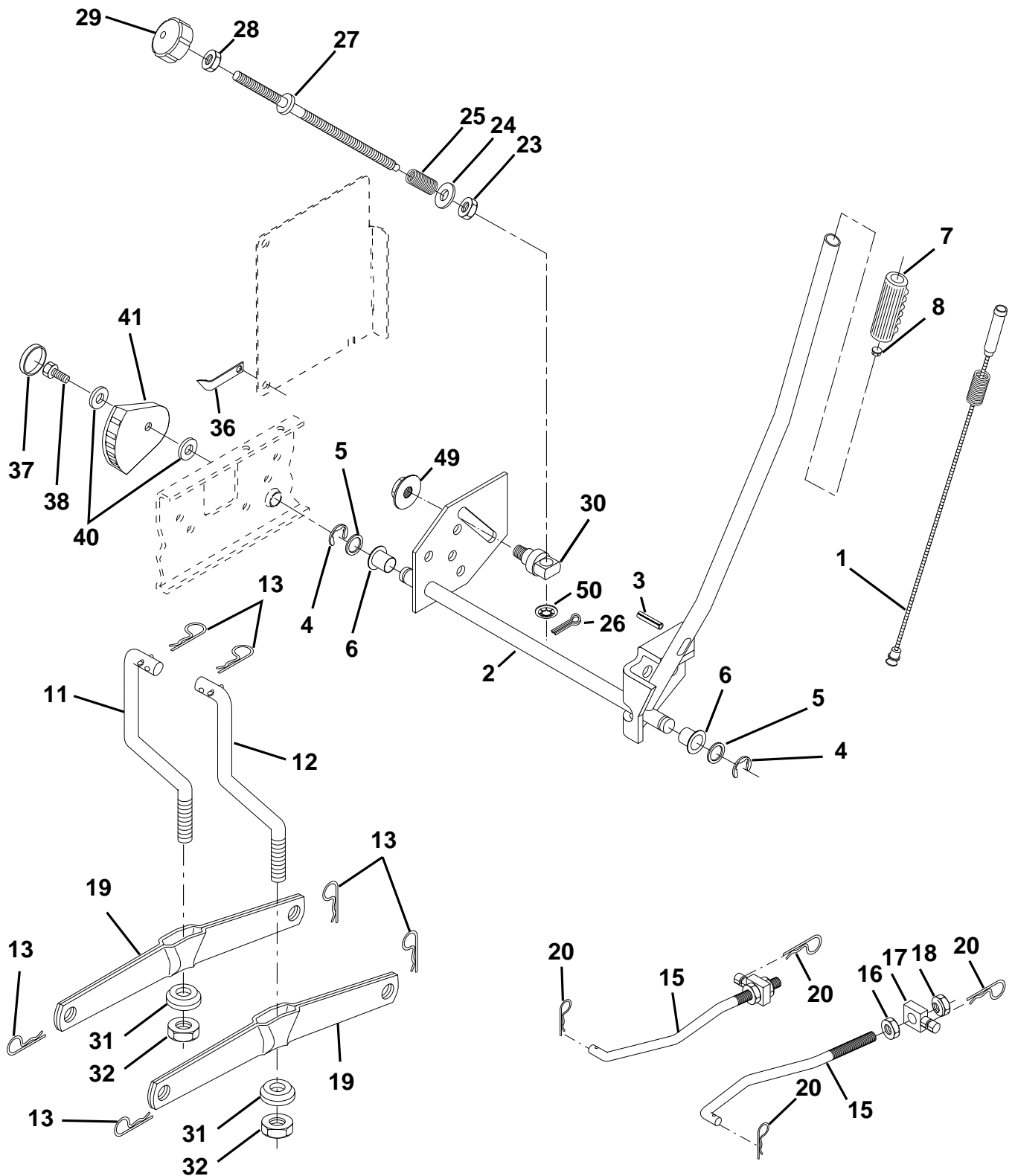
MOWERDECK

KEY NO.	PART NO.	DESCRIPTION	KEY NO.	PART NO.	DESCRIPTION
1	532144393	Housing Asm Mower 42"94 T-Path	54	532133943	Washer Hardened
2	872140506	Bolt Rdhd Sqnk 5/16-18unc X3/4	55	532140084	Arm Idler 42"mower LT/YT
3	532138017	Bracket Asm Fr Sway Bar 38/42	56	532122052	Spacer Retainer Pm Mower
4	532138440	Bracket Asm Deck 42"sway Bar	59	532141043	Guard, Belt
5	532124670	Retainer Spring	61	532131950	Spring Ext. Elect
6	532130832	Arm Suspension Rear	68	531005086	V-Belt Mower
8	532850857	Bolt 3/8-24x1 25 Gr8 Patched	83	532120958	Washer Sintered
9	810030600	Washer Lock Hvy 3/8 Unplated	84	532156084	Keeper Belt Idler
10	532140296	Washer Hard Blade Mower Vented	85	872140618	Bolt Carriage 3/8-16 x 2-1/4
11	531005085	Blade Mower High Lift"	90	874760616	Bolt Fin Hex 3/8-16unc X 1
12	532129895	Bearing Ball #6204 (Mandrel)	91	532132274	Bracket Asm Noseroller LH
13	532137645	Shaft Asm W/lower Bearing	92	873800600	Nut Lock Hex w/ins. 3/8-16 UNC
14	532128774	Housing Mandrel Vented(machd)	93	819171416	Washer 17/32 X 7/8 X 16 Ga
15	532110485	Bearing Ball Mandrel	94	532132264	Roller Nose 38 & 42
16	532140329	Stripper Round Mower	95	532132273	Bracket Asm Noseroller RH
17	872110618	Bolt Rdhd Sqnk 3/8-16 X 2-1/4	111	532155197	Bracket Gauge Wheel Lh
18	872140505	Bolt Carr 5/16-18 X 5/8	112	532155198	Bracket Gauge Wheel Rh
19	532132827	Bolt Shoulder	113	817490512	Screw Thdrol 5/16-18 x 3/4
20	532136888	Baffle Vortex 42	114	873510500	Nut Keps 5/16-18 UNC
21	873680500	Nut Crown Lock 5/16-18	115	872110504	Bolt Carriage 5/16-18unc x 1/2
22	532134753	Stiffener Bracket 42"deck	116	532137644	Bolt Shoulder
23	532131267	Bracket Deflector Mower 42"	117	532133957	Wheel Gauge
24	532105304	Cap Sleeve 80x 112 Blk Mower	118	873930600	Nut Centerlock 3/8-16 UNC
25	532123713	Spring Torsion Deflector 2 52	119	819121414	Washer 3/8 x 7/8 x 14 Ga.
26	532110452	Nut Push Phos & Oil	121	532143723	Bracket Extruded Gauge Wheel
27	532130968	Shield Deflector	125	876020816	Cotter Pin
28	819111016	Washer 11/32 X 5/8 X 16 Ga	128	532153390	Washer Felt
29	532131491	Rod Hinge 42"6 75 Wlg	129	819131312	Washer 13/32 x 13/16 x 12 Ga.
30	532138776	Screw Thdrol Hex Hd Zinc Mwr.	130	874780616	Bolt Fin Hex 3/8-16 UNC x 1 Gr. 5
31	532129963	Washer Spacer Mower Vented	131	872140608	Bolt Rdhd Sqnk 3/8-16 UNC x1
32	532153535	Pulley Mandrel	132	819132203	Washer 13/32 x 1-3/8 x 3 Ga.
33	532137266	Nut 9/16top Lock Flng Cntr	--	532145024	Deck Serv 42" Elec Vent (Standard
34	872110622	Bolt RDHD 3/8-16 UNC x 2-3/4 Gr.5			Deck - Order Nose Roller, Gauge
35	532133835	Fastner Christmas Tree			Wheel and Mulcher Plate
36	532131494	Pulley Idler Flat 3 060			components separately Key Nos.
37	819131316	Washer 13/32 X 13/16 X 16 Ga			90-95, 101-106 and 111-121)
38	532132823	Spacer Spring Stop Idler	--	532130794	Mandrel Assembly (Includes Key
40	873680600	Nut Lock 3/8-16 Unc			Numbers 8-10, 12-15, 31 and 33)
44	532140088	Guard Mandrel LH Black			
46	532137729	Screw Thdrol 1/4-20x5/8			

NOTE: All component dimensions given in U.S. inches
1 inch = 25.4 mm

O

MOWERLIFT



O

MOWERLIFT

KEY NO.	PART NO.	DESCRIPTION
1	532136973	Wire Asm Inner W/plunger 17 32
2	532145117	Shaft Asm Lift
3	532105767	Pin Groove
4	812000002	E Ring #5133-62
5	819211621	Washer 21/32 X 1 X 21 Ga.
6	532120183	Bearing Nylon Blk 629 Id
7	532125631	Grip Handle
8	532124526	Button Plunger Black
10	532122512	Spring Cprsn 3 750 Oiled
11	532139865	Link Lift LH Mower
12	532139866	Link Lift RH Mower
13	532124670	Retainer Spring
15	532127218	Link Front
16	873350800	Nut Jam Hex 1/2-13 Unc
17	532130171	Trunnion Blk Zinc
18	873800800	Nut Lock W/wsh 1/2-13unc
19	532139868	Arm Suspension Rear
20	532124660	Retainer Spring
23	532110807	Nut Special
24	819131016	Washer 13/32 x 5/8 x 16 Ga.
25	532124874	Spring 2-1/8"
26	876020308	Pin Cotter 3/32 x 1/2
27	532126971	Rod Adj Lift
28	873350600	Nut Hex Jam 3/8-16 UNC
29	532138057	Knob Inf 3/8-16 UNC
30	532150233	Trunnion Inf. Height
31	873540600	Nut Crownlock 3/8-24
32	532140302	Bearing Put Lift Spherical
36	532155097	Pointer Height Ind
37	532123935	Plug Hole
38	817490512	Screw Thdrol 5/16-18 x 3/4
40	819112410	Washer 11/32 x 1-1/2 x 10 Ga.
41	532155098	Ind Height STLT
49	532145212	Nut, Hex Flange Lock

NOTE: All component dimensions given in U.S. inches
1 inch = 25.4 mm