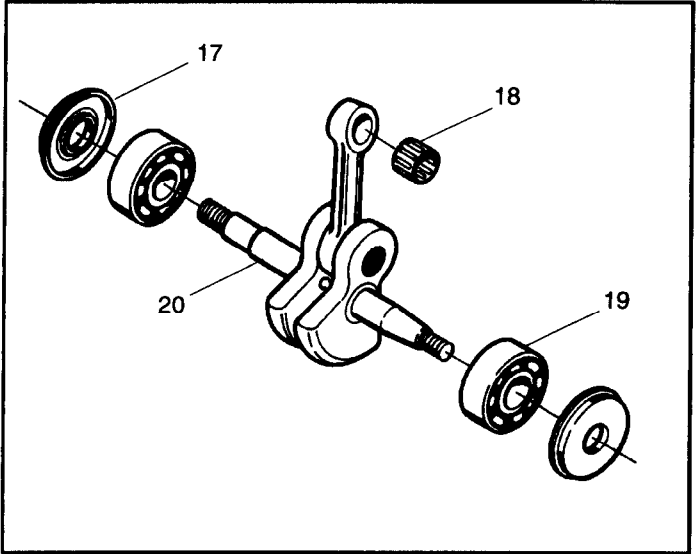
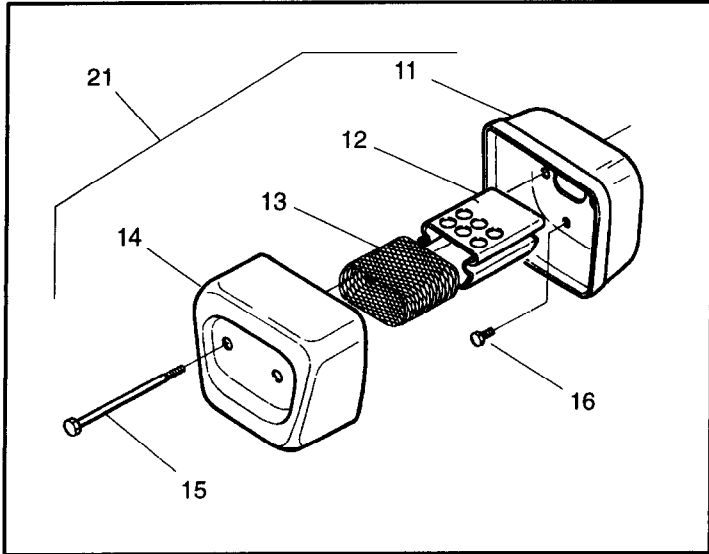
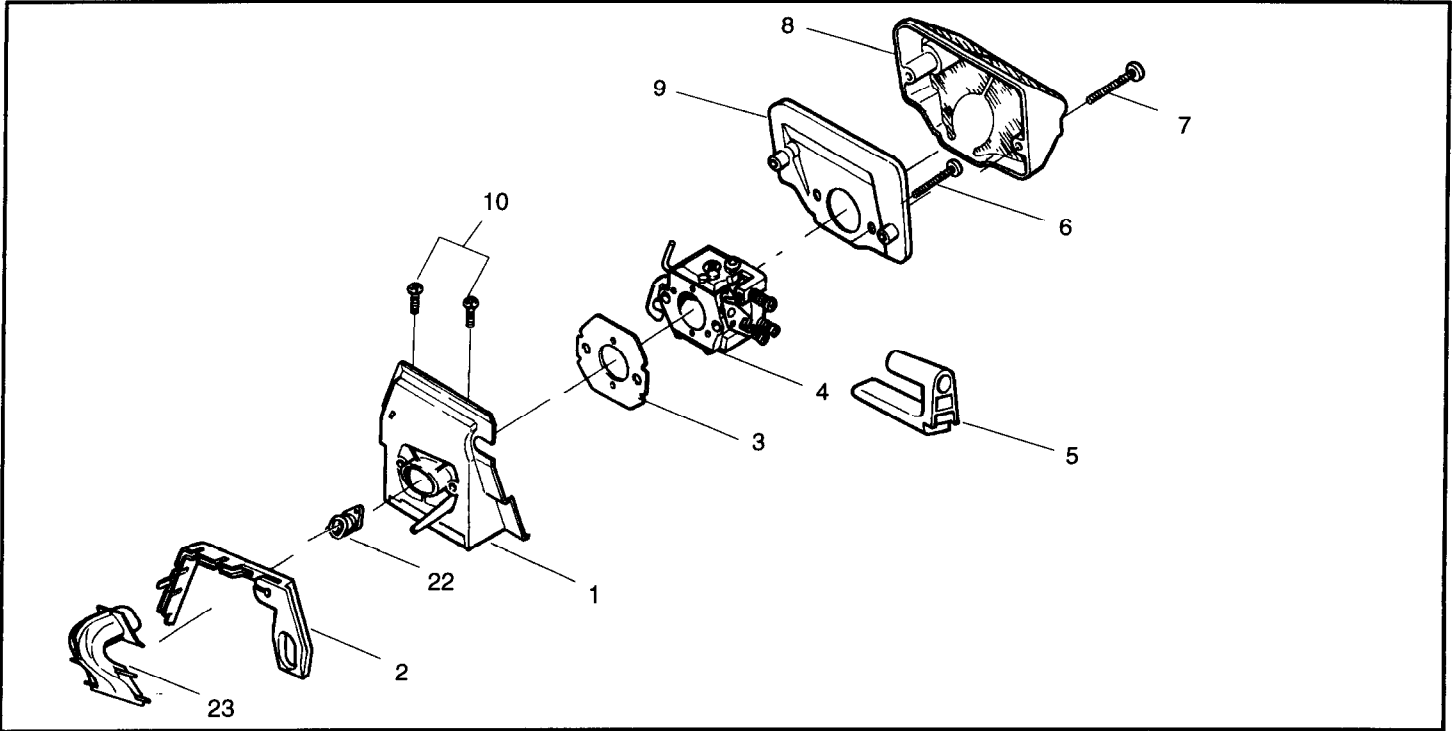


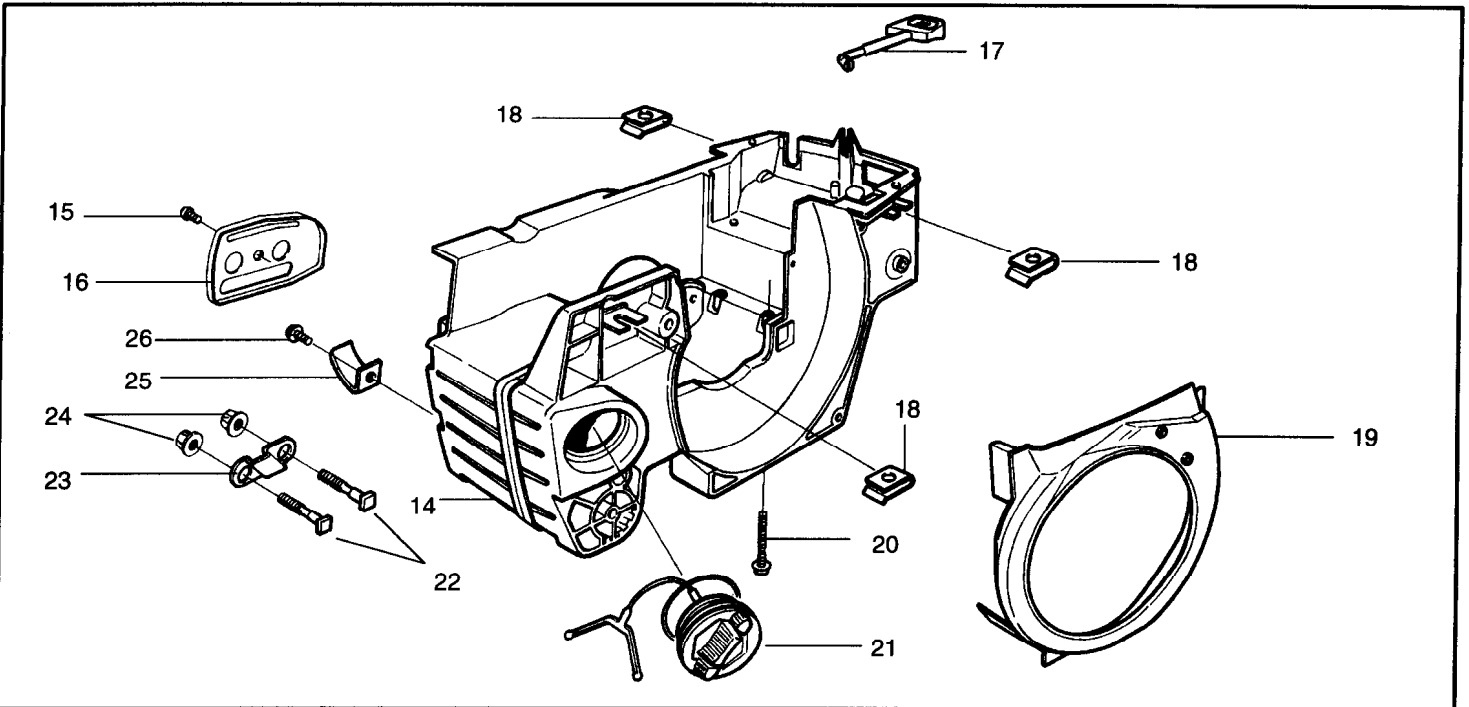
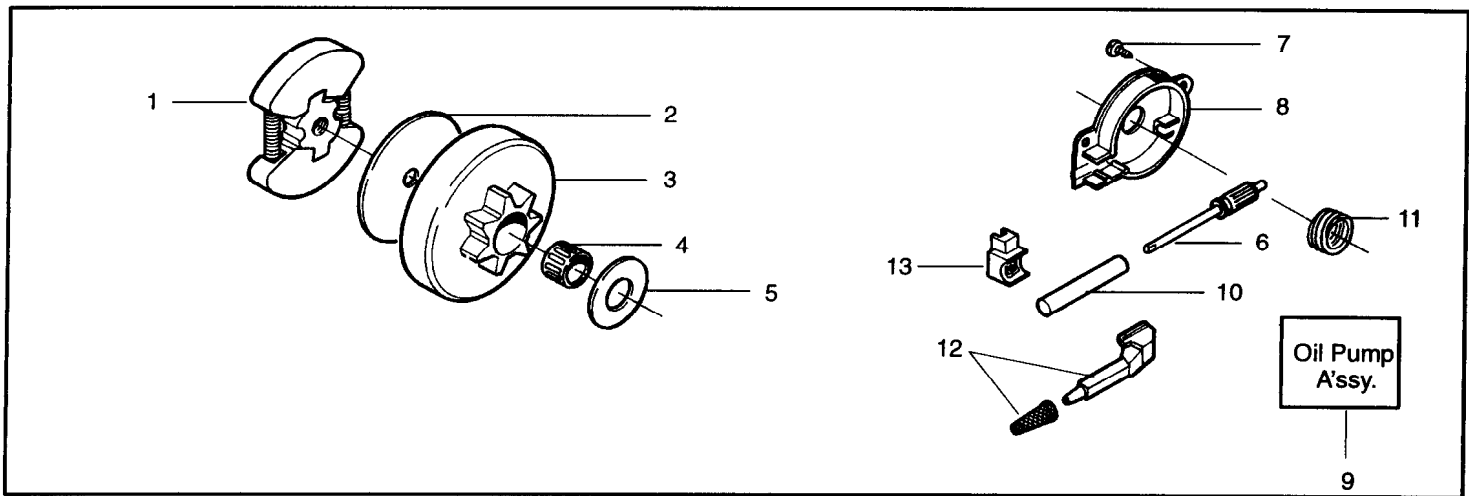
36 / 41



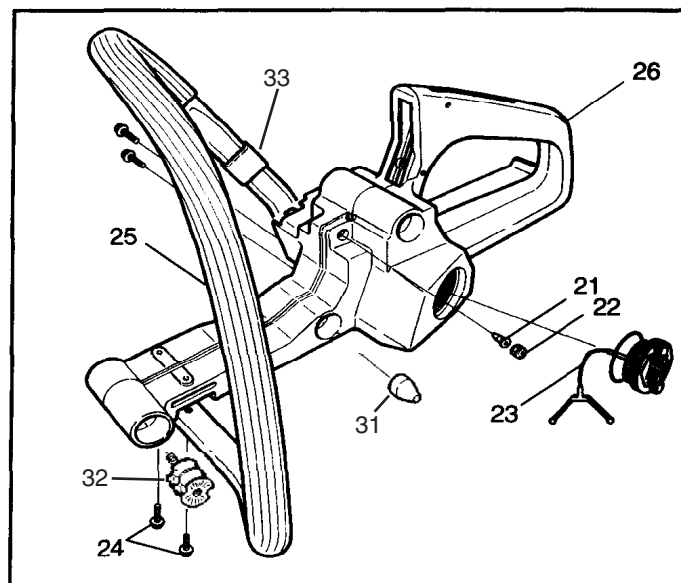
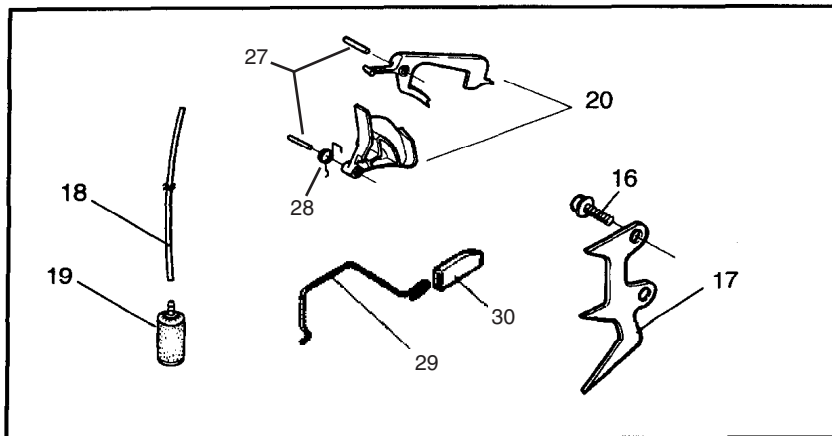
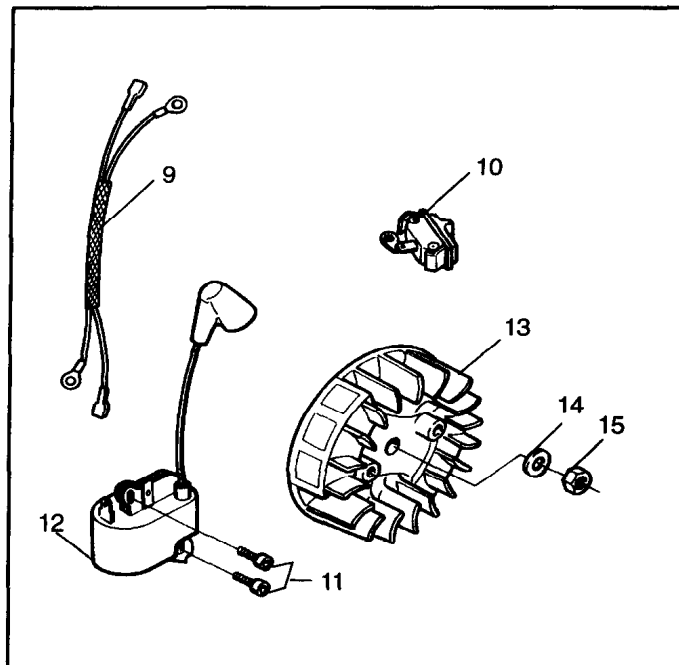
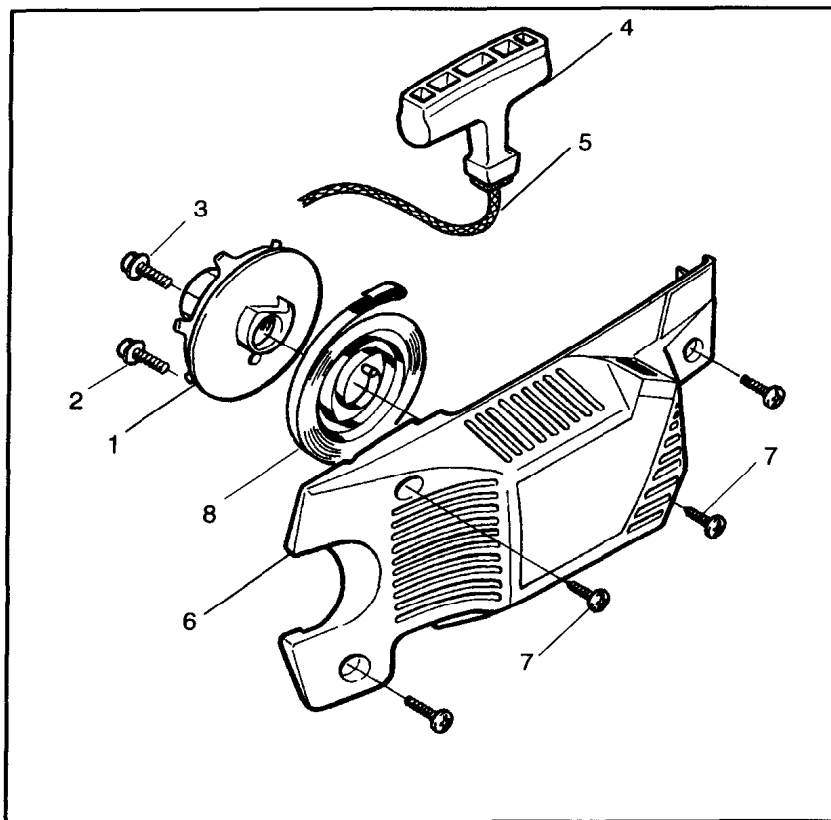
1.1997 Spare Parts



| Ref. | Part No. | Description | Ref. | Part No. | Description |
|------|------------|-----------------------|------|------------|--|
| 1 | 530-037465 | Carb-Adaptor | 15 | 530-016044 | Screw |
| 2 | 530-019203 | Turbo Clean Seal | 16 | 530-015902 | Muffler Bolt |
| 3 | 530-019172 | Carburetor Gasket | 17 | 530-019170 | Crankshaft Seal |
| 4 | 530-035382 | Carburetor | 18 | 530-032117 | Piston Pin Bearing |
| 5 | 530-037466 | Grommet-Final | 19 | 530-032118 | Crankshaft Bearing |
| 6 | 530-015968 | Screw | 20 | 530-029794 | Crankshaft & Rod Assembly |
| 7 | 530-015899 | Screw | 21 | 530-069415 | Muffler Kit (Includes 11, 12, 14 & 15) |
| 8 | 530-029811 | Air-Filter - Top | 22 | 530-029814 | Intake Sleeve |
| 9 | 530-036582 | Air Filter - Bottom | 23 | 530-029813 | Turbo Air Cleaner Assembly |
| 10 | 530-015905 | Screw | | | |
| 11 | 530-037251 | Muffler Body | | | |
| 12 | 530-037246 | Muffler Diffuser | | | |
| 13 | 530-029810 | Spark Arrester Screen | | | |
| 14 | 530-037254 | Muffler Cover | | | |



| Ref. | Part No. | Description | Ref. | Part No. | Description |
|------|------------|---|------|------------|--------------------|
| 1 | 530-014949 | Clutch Assembly | 15 | 530-015896 | Screw |
| 2 | 530-015611 | Clutch Washer | 16 | 530-047855 | Bar Plate |
| 3 | 530-047061 | Clutch Drum | 17 | 530-029831 | Choke Lever |
| | 530-069316 | Clutch Drum - (.325) | 18 | 530-015922 | Type "U" Speed Nut |
| 4 | 530-032119 | Clutch Bearing | 19 | 530-029800 | Baffle Plate |
| 5 | 530-015907 | Thrust Washer | 20 | 530-016037 | Screw |
| 6 | 530-029838 | Plunger & Gear Assembly | 21 | 501-765602 | Oil Cap |
| 7 | 530-015896 | Screw | 22 | 530-015877 | Bar Bolt |
| 8 | 530-029835 | Oil Pump Housing | 23 | 530-036043 | Bar Stud Plate |
| 9 | 530-014410 | Oil Pump Assembly (Includes 8, 10 & 6) | 24 | 503-220001 | Nut |
| 10 | 530-029834 | Oil Pump Barrel | 25 | 530-029850 | Chain Catcher |
| 11 | 530-029833 | Oil Pump Worm | 26 | 530-015937 | Screw |
| 12 | 530-014776 | Oil Pick-Up and Screen Assembly | | | |
| 13 | 530-019174 | Oil Seal | | | |
| 14 | 530-037484 | Chassis & Tank Assy. | | | |



| Ref. | Part No. | Description | Ref. | Part No. | Description |
|------|------------|----------------------|------|--------------|------------------------|
| 1 | 530-069313 | Starter-Pulley Kit | 14 | 530-015127 | Flywheel Washer |
| 2 | 530-015920 | Screw | 15 | 530-016071 | Nut |
| 3 | 530-016080 | Screw | 16 | 530-015906 | Screw |
| 4 | 530-038491 | Starter Handle | 17 | 530-014381 | Spike Assy. |
| 5 | 530-069232 | Rope Kit | 18 | 530-069247 | Fuel Line Kit |
| 6 | 530-047599 | Fan Housing Assembly | 19 | 530-014497 | Fuel Pick-up |
| 7 | 530-015892 | Screw | 20 | 530-069587 | Throttle Trigger Kit |
| 8 | 501-763101 | Recoil Spring | 21 | 530-026119 | Check Valve |
| 9 | 530-037468 | Switch Wire Assy. | 22 | 530-029868 | Vent Plug |
| 10 | 503-717901 | Ignition Switch | 23 | 501-819602 | Fuel Cap |
| 11 | 530-015895 | Screw | 24 | 530-015906 | Screw |
| 12 | 530-039143 | Ignition Module | 25 | 530-014290 | Handle |
| 13 | 530-039147 | Flywheel Assy. | 26 | 530-014884 | Tank & Handle Assembly |
| | | | 27 | 530 02 98-60 | Trigger Pin |
| | | | 28 | 530 02 98-61 | Trigger Spring |
| | | | 29 | 530 02 98-69 | Throttle Shaft |
| | | | 30 | 530 02 98-63 | Throttle Actuator |
| | | | 31 | 530 02 99-84 | Shock Mount |
| | | | 32 | 501 62 87-01 | Antivibe Element |
| | | | 33 | 501 91 89-02 | Support |

