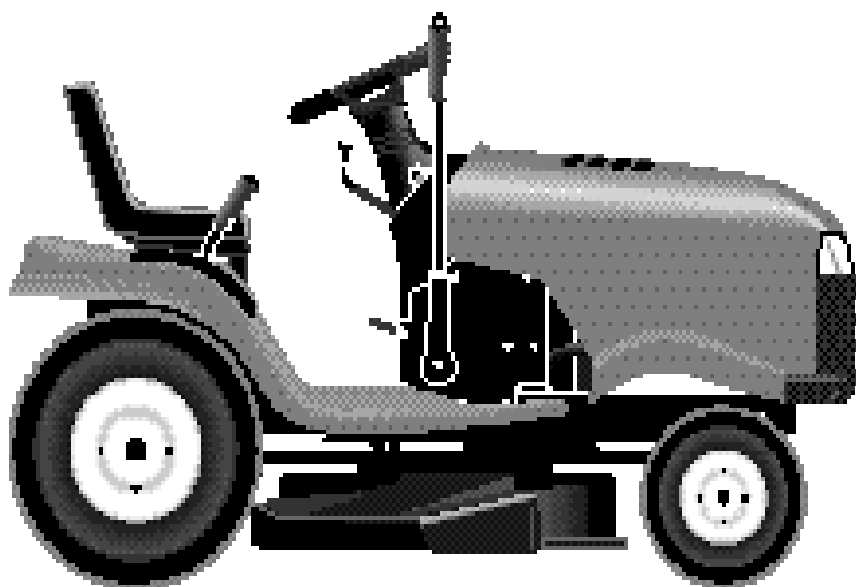


# LT 120

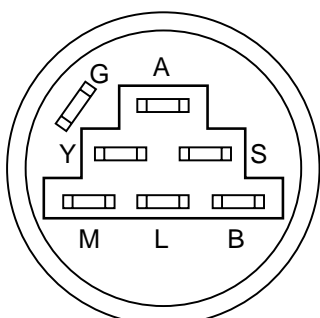
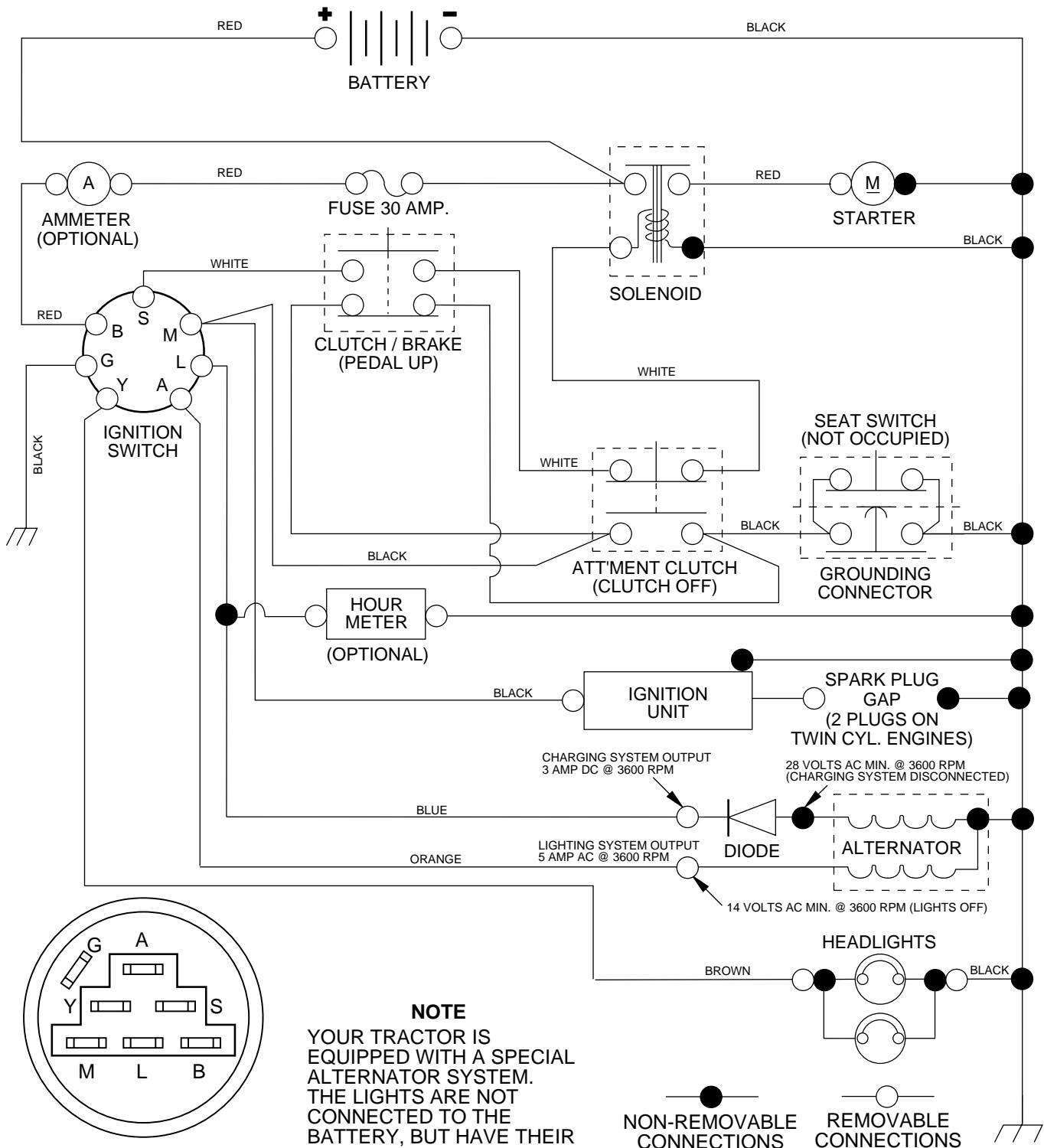


**1.1997**  
**Spare Parts**

**954 14 00-02B**

# TRACTOR - MODEL NO. LT120 (954140002B), PRODUCT NO. 954 1400-02

## SCHEMATIC



**IGNITION SWITCH**

POSITION	CIRCUIT	"MAKE"
OFF	G + M + L	NONE
RUN/LIGHT	B + L	A + Y
RUN	B + L	NONE
START	B + L + S	NONE

**NOTE**  
 YOUR TRACTOR IS EQUIPPED WITH A SPECIAL ALTERNATOR SYSTEM. THE LIGHTS ARE NOT CONNECTED TO THE BATTERY, BUT HAVE THEIR OWN ELECTRICAL SOURCE. BECAUSE OF THIS, THE BRIGHTNESS OF THE LIGHTS WILL CHANGE WITH ENGINE SPEED. AT IDLE THE LIGHTS WILL DIM. AS THE ENGINE IS SPEEDED UP, THE LIGHTS WILL BECOME THEIR BRIGHTEST.

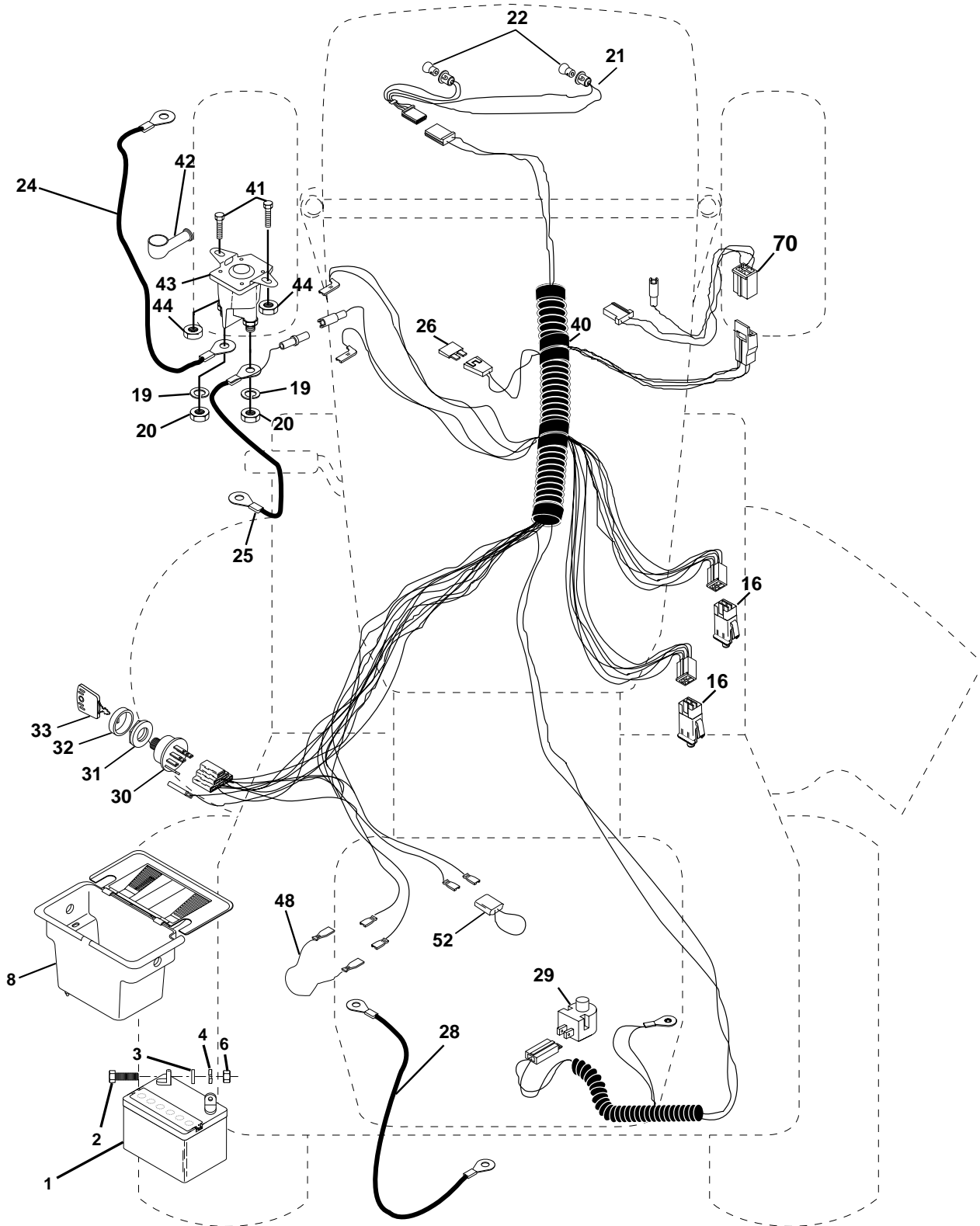
**WIRING INSULATED CLIPS**

**NOTE:** IF WIRING INSULATED CLIPS WERE REMOVED FOR SERVICING OF UNIT, THEY SHOULD BE REPLACED TO PROPERLY SECURE YOUR WIRING.

# REPAIR PARTS

TRACTOR - MODEL NO. LT120 (954140002B), PRODUCT NO. 954 14 00-02

## ELECTRICAL



# REPAIR PARTS

TRACTOR - MODEL NO. LT120 (954140002B), PRODUCT NO. 954 14 00-02

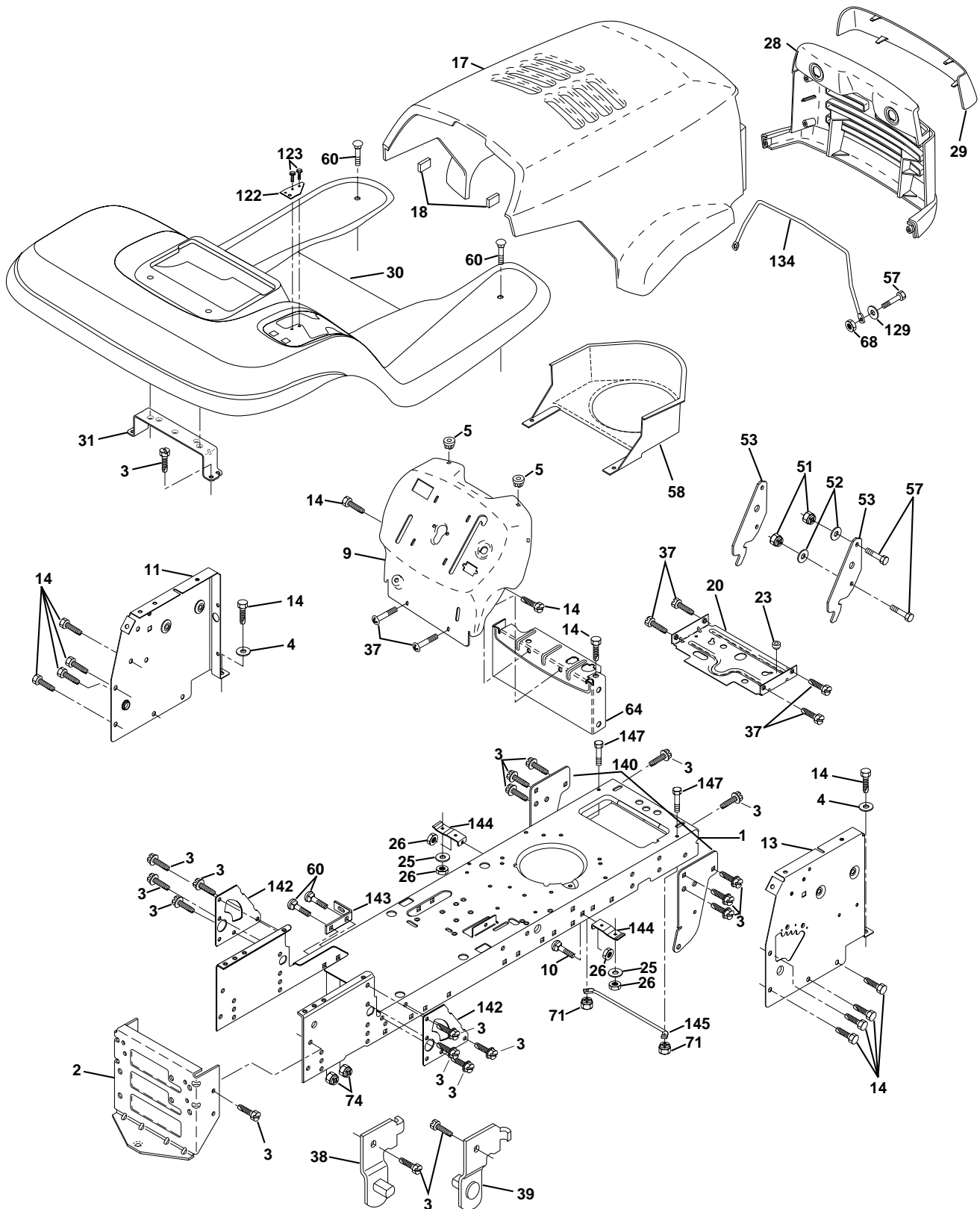
## ELECTRICAL

KEY NO.	PART NO.	DESCRIPTION
1	532144925	Battery 12 Volt 25 AMP
2	874760412	Bolt Hex Hd 1/4-20unc X 3/4
3	819091016	Washer 9/32 X 5/8 X 16 Ga.
4	810040400	Washer Lock Hvy Helical 1/4
6	873220400	Nut Fin Hex 1/4-20 Unc
8	532156417	Case Battery Mech Hinge
16	532153664	Switch Interlock Push-In
19	810090400	Washer Lock 1/4
20	873350400	Nut Jam Hex 1/4-20 Unc
21	532136850	Harness Asm Light W/4152j
22	532004152	Bulb Light #1156
24	532124780	Cable Battery 6 Ga 11" red
25	532146147	Cable Battery 6 Ga 44" red w/16 wire
26	532108824	Fuse 30 AMP Auto Green
28	532124773	Cable Ground 6 Ga 12" black
29	532121305	Switch Plunger Nc Gray
30	532140301	Switch Ign 4 pos w/lights
31	532124211	Nut Ignition
32	532141226	Cover Sw Ignition
33	532122147	Key Ign Modelled Generic
40	532156442	Harness Ign.
41	871110408	Bolt Blk Fin Hex 1/4 - 20 x 1/2
42	532131563	Cover Terminal Red
43	532145673	Solenoid
44	873640400	Nut Keps Hex 1/4-20 Unc
48	532140844	Adapter Ammeter Rectangular
52	532141940	Protection Wire Loop
70	532140413	Harness, Eng. B&S/Tec Dual

**NOTE:** All component dimensions given in U.S. inches.  
1 inch = 25.4 mm.

# REPAIR PARTS

TRACTOR - MODEL NO. LT120 (954140002B), PRODUCT NO. 954 14 00-02  
CHASSIS AND ENCLOSURES



# REPAIR PARTS

TRACTOR - MODEL NO. LT120 (954140002B), PRODUCT NO. 954 14 00-02

## CHASSIS AND ENCLOSURES

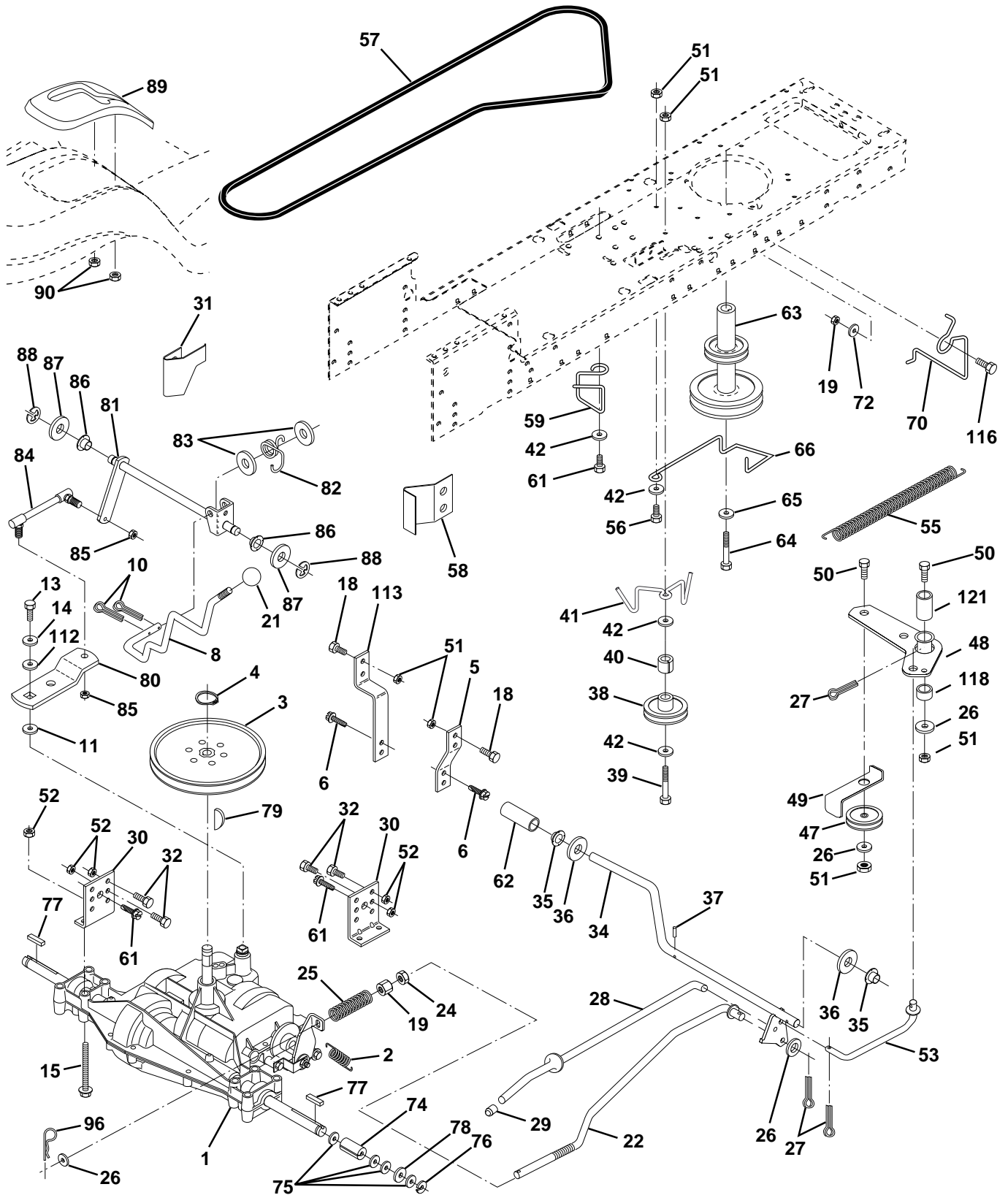
KEY NO.	PART NO.	DESCRIPTION
1	532159527	Chassis Weldment
2	532140356	Drawbar, Stretch
3	817490612	Screw Thdrol 3/8-16x3/4 Ty-tt
4	819131216	Washer 13/32 x 3/4 x 16 Ga.
5	532155272	Bumper Hood/Dash
9	532157261	Dash P/L M, N/AMM N/HM Grey
10	872140608	Bolt Carriage 3/8-16 x 1
11	532155927	Panel Dash Lh
13	532157262	Panel Dash Rh
14	817490608	Screw Thdrol 3/8-16x1/2 Ty-tt
17	532156051	Hood LT/PL Husqvarna
18	532126938	Bumper Hood
20	532156437	Plate Mtg Battery Fuel Tank Fr
23	532124028	Bushing
25	819131312	Washer 13/32 X 13/16 X 12 Ga
26	873800600	Nut Lock Hex W/Ins 3/8-16 Unc
28	532149776	Grille LT/PL Husqvarna
29	532149777	Lens LT/PL Husqvarna
30	532156489	Fender Footrest STLT Pnt
31	532139976	Bracket Support Fender
37	817490508	Screw Thdrol 6/16-18 x 1/2 TYT
38	532139886	Bracket, Asm. Pivot, L.H., Mower Rear
39	532139887	Bracket, Asm. Pivot, R.H., Mower Rear
51	873800400	Nut Lock Hex W/Ins 1/4-20
52	819091416	Washer 9/32 x 7/8 x 16 Ga.
53	532150067	Bracket Pnt. Pick off LT/PL Husqvarna
57	874780412	Bolt Hex 1/4-20 x 3/4
58	532150127	Air Duct Engine P/L
60	872140606	Bolt Rdhd Sqnk 3/8-16unc x 3/4
64	532154798	Dash Lower STLT
68	873510400	Nut Keps Hex 1/4-20unc
71	873680400	Nut Crownlock 1/4-20unc
74	873680600	Nut Crownlock 3/8-16 UNC
122	532157301	Bracket Shift STLT
123	532152927	Screw
129	819091016	Washer 9/32 x 5/8 x 16 Ga.
134	532160219	Rod Support Hood LT/PL Husq.
140	532158418	Bracket Suspension Front
142	532156095	Plate Reinforcement STLT
143	532154966	Bracket Swaybar Chassis
144	532154207	Bracket Pnt Footrest STLT
145	532156524	Rod Pivot Chassis/Hood
147	874760412	Bolt Hex Hd 1/4-20unc x 3/4
--	532005479	Plug Button

**NOTE:** All component dimensions given in U.S. inches  
1 inch = 25.4 mm

# REPAIR PARTS

TRACTOR - MODEL NO. LT120 (95414002B), PRODUCT NO. 954 14 00-02

## DRIVE



# REPAIR PARTS

TRACTOR - MODEL NO. LT120 (954140002B), PRODUCT NO. 954 14 00-02

## DRIVE

KEY NO.	PART NO.	DESCRIPTION	KEY NO.	PART NO.	DESCRIPTION
1	-----	Transaxle (See Breakdown) Peerless 930-054A	51	873680600	Nut Crownlock 3/8-16 Unc
2	532146682	Spring Return Brake T/a Zinc	52	873680500	Nut Crownlock 5/16-18 Unc
3	532123666	Pulley Transaxle 18" tires	53	532105710	Link Clutch
4	812000028	Ring Retainer # 5100-62	55	532105709	Spring Return Clutch 6 75
5	532121520	Strap Torque 30 Degrees	56	874760620	Bolt Fin Hx 3/8-16 X 1/4
6	817490512	Screw Thdrol 5/16-18 X 3/4 TYT	57	532130801	V-Belt Ground Drive 95 25
8	532154792	Rod Shifter	58	532127274	Keeper Belt RH LT Pnt/zinc 16g
10	876020416	Pin Cotter 1/8 X 1 Cad	59	532140312	Keeper Belt Span Ctr
11	532105701	Washer Plate Shf 388 Sq Hole	61	817490612	Screw Thdrol 3/8-16x3/4 Ty-tt
13	874550412	Bolt 1/4-28 Unf Gr 8 W/Patch	62	532124872	Cover Pedal Blk Round
14	810040400	Washer Lock Hvy Helical 1/4	63	532140186	Engine Pulley LT/YT
15	874490544	Bolt Hex 5/16-18 Gr. 5	64	871170764	Bolt Hex
18	874780616	Bolt, Fin Hex 3/8-16 UNC x 1 Gr. 5	65	810040700	Washer Lock Hvy Hlcl Spr 7/16
19	873800600	Nut Lock 3/8-16 Unc	66	532154778	Keeper Belt Engine Foolproof
21	532106933	Knob	70	532134683	Guide Belt Mower Drive RH
22	532130804	Rod Brake Blk Zinc 26 840	72	819132012	Washer 13/32 X 1-1/4 X 12 Ga
24	873350600	Nut Hex Jam 3/8-16 Unc	74	532137057	Spacer Axle
25	532106888	Spring Rod Brake 2 00 Zinc	75	532121749	Washer 25/32 X 1 1/4 X 16 Ga
26	819131316	Washer 13/32 X 13/16 X 16 Ga	76	812000001	E-ring #5133-75
27	876020412	Pin Cotter 1/8 X 3/4 Cad	77	532123583	Key Square 2 0 X 1845/ 1865
28	532145204	Rod Brake Parking LT/YT	78	532121748	Washer 25/32 X 1-5/8 X 16 Ga
29	532071673	Cap Brake Parking Black	79	532125096	Key Woodruff #9 3/16 x 3/4
30	532130807	Bracket Mtg Transaxle	80	532131486	Arm Shift
31	532127275	Keeper Belt LH LT 14 Ga	81	532156043	Shaft Asm Cross 20"t
32	874760512	Bolt Hex Hd 5/16-18unc X 3/4	82	532123782	Spring Torsion T/a
34	532155071	Shaft Asm Pedal Foot	83	819171216	Washer 17/32 X 3/4 X 16 Ga
35	532120183	Bearing Nylon Blk 629 Id	84	532123793	Rod Shift
36	819211616	Washer 21/32 X 1 X 16 Ga	85	532150360	Nut Lock Center 1/4 - 28 FNTHD
37	532124963	Pin Roll 3/16 X 1"	86	532071208	Bushing Rod Strg 629/632 Id
38	532123674	Pulley Idler Flat	87	819212016	Washer 21/32 X 1-1/4 X 16 Ga
39	874760644	Bolt Fin Hex 3/8-16unc X 2-3/4	88	812000008	Ring Klip #5304-62
40	532124965	Spacer Split 395 X 59 Bzp	89	532154885	Console Shift STLT
41	532154777	Keeper Belt Retainer Idler Foolproof	90	532124346	Nut Self-thd Wsh-hd 1/4 Zinc
42	819131312	Washer 13/32 X 13/16 X 12 Ga	96	532124788	Retainer Spring 1"
47	532127783	Pulley Idler V Groove Plastic	112	819091210	Washer 9/32 x 3/4 x 10 Ga.
48	532154604	Bellcrank Asm	113	532127285	Strap Torque LT
49	532123205	Retainer Belt Style Spring	116	872110610	Bolt Rdhd Sq Neck 3/8-16 x 1.25
50	874760624	Bolt Hex Hd 3/8-16unc X 1-1/2	118	532154774	Spacer Bellcrank
			121	532154419	Nyliner Clutching STL

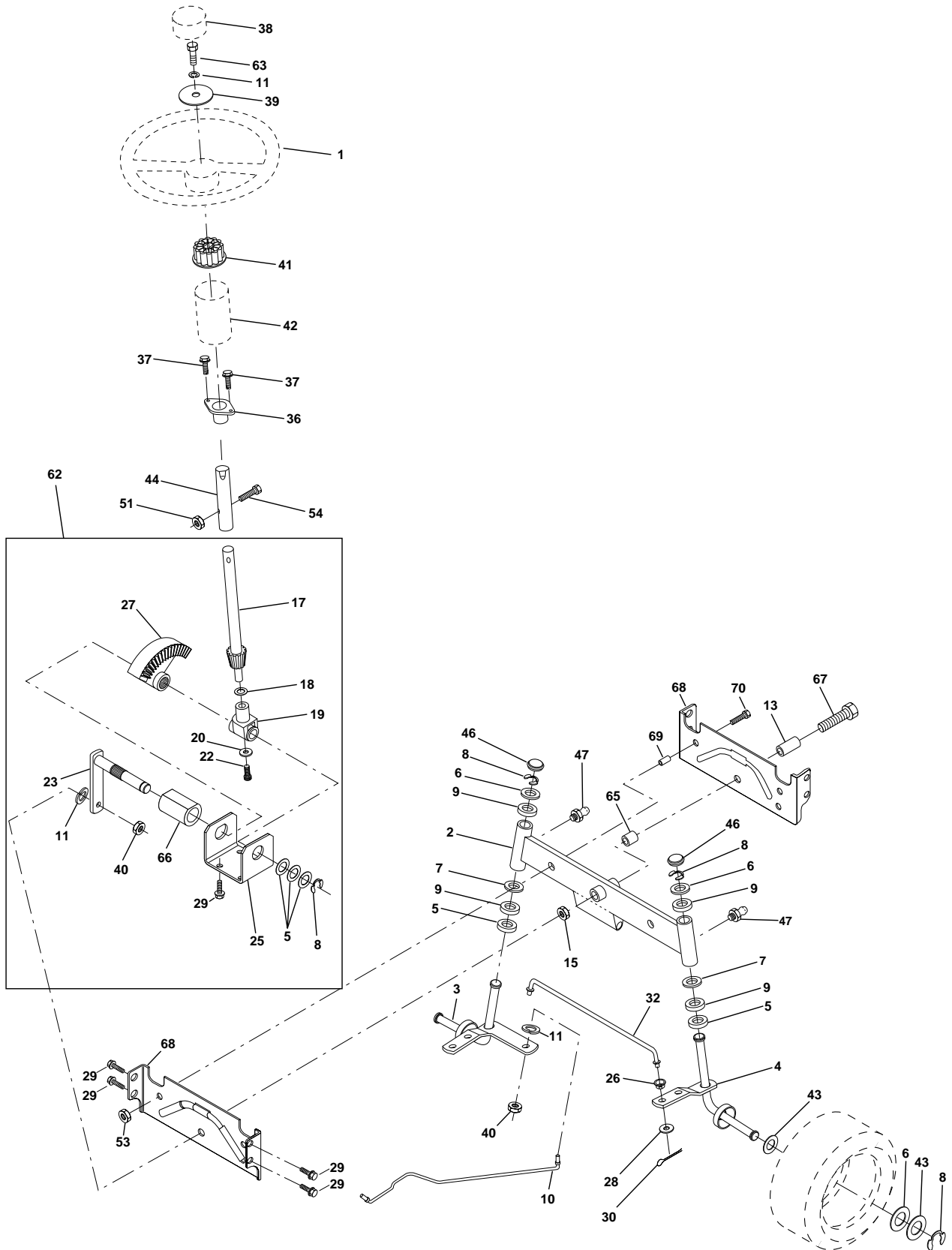
**NOTE:** All component dimensions give in U.S. inches.  
1 inch = 25.4 mm.



# REPAIR PARTS

TRACTOR - MODEL NO. LT120 (954140002B), PRODUCT NO. 954 14 00-02

## STEERING ASSEMBLY



# REPAIR PARTS

TRACTOR - MODEL NO. LT120 (954140002B), PRODUCT NO. 954 14 00-02

## STEERING ASSEMBLY

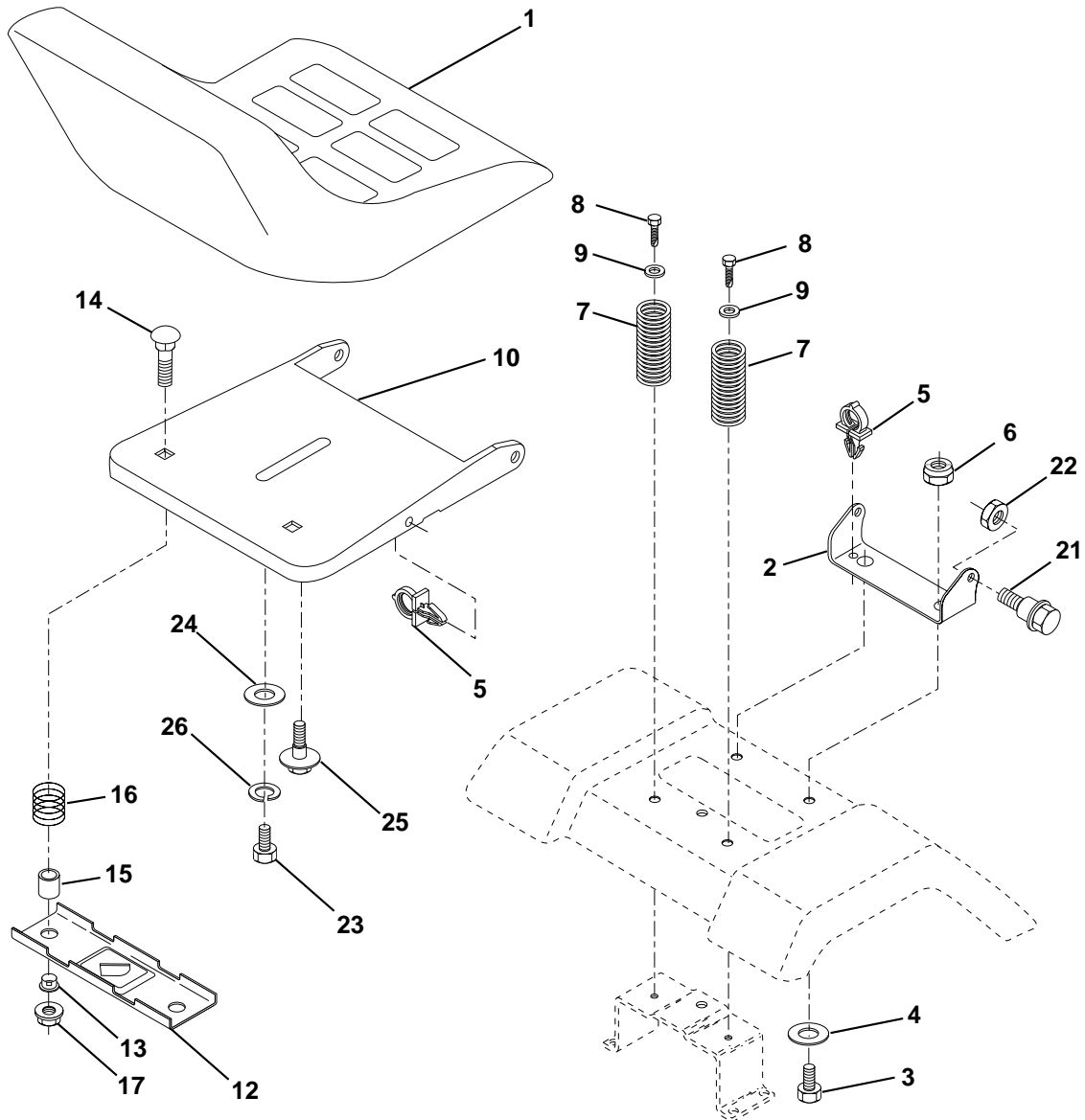
KEY NO.	PART NO.	DESCRIPTION
1	532124415	Wheel Steering
2	532154427	Axle Asm STMP Dropped STL
3	532156483	Spindle Asm LH
4	532157473	Spindle Asm RH
5	532124931	Bearing Race Thrust Harden
6	532121748	Washer 25/32 X 1-5/8 X 16 Ga
7	819272016	Washer 27/32 X 1-1/4 X 16 Ga
8	812000029	Ring Klip #t5304-75
9	532124937	Bearing Col Strg Blk
10	532156438	Link Drag Extended Stamp
11	810040600	Washer Lock Hvy Hlcl Spr 3/8
13	532154779	Bearing Axle STLT/GT
15	873901000	Nut Lock Flange 5/8-11 Unc
17	532156546	Shaft Asm Strg
18	532057079	Washer Thrust 515x 750x 033
19	532124035	Support Shaft
20	532126684	Washer Shim 1/4 X 5/8 X 062
22	871200410	Screw Hex Socket 1/4-20 x 5/8
23	532127501	Shaft Asm Pittman
25	532154406	Bracket Steering
26	543126847	Bushing Link Drag Blk LR
27	532136874	Gear Sector
28	819131416	Washer 13/32 X 7/8 X 16 Ga
29	817490612	Screw Thdrol 3/8-16x3/4 Ty-tt
30	876020412	Pin Cotter 1/8 X 3/4 Cad
32	532130465	Rod Tie Wire Form 19 75 Mech
36	532155099	Bushing Strg
37	532152927	Screw
38	532124416	Insert Cap Strg Wh Au
39	819133808	Washer 13/32 X 2-3/8 X 8 Ga
40	532124701	Lock nut
41	532100711	Adaptor Wheel Strg
42	532155092	Boot Steering Shaft
43	532121749	Washer 25/32 X 1 1/4 X 16 Ga
44	532153720	Extension Steering Shaft LR/LT
46	532121232	Cap Spindle Fr Top Blk
47	532124836	Fitting Grease
51	873800500	Nut Lock Hex w/Ins 5/16-18
53	873680600	Nut Crownlock 3/8-16unc
54	874780520	Bolt Fin Hex 5/16-18 Unc x 1-1/4
62	532156594	Kit, Steering Assembly Svc
63	874780616	Bolt Fin Hex 3/8-16unc x 1 Gr. 5
65	532154780	Spacer Axle
66	532154404	Bearing Arm Pittman
67	874781044	Bolt, Fin Hex 5/8-11 UNC x 2-3/4
68	532154429	Axle, Brace
69	532160367	Spacer Brace Axle
70	874780636	Bolt Fin Hex 3/8-16unc x 2-1/4

**NOTE:** All component dimensions given in U.S. inches.  
1 inch = 25.4 mm.

# REPAIR PARTS

TRACTOR - MODEL NO. LT120 (954140002B), PRODUCT NO. 954 14 00-02

## SEAT ASSEMBLY



### KEY PART NO. NO.

### DESCRIPTION

1	532140838	Seat
2	532140551	Bracket Pivot Seat 8 720
3	874760616	Bolt Fin Hex 3/8-16unc X 1
4	819131610	Washer 13/32 X 1 X 10 Ga
5	532145006	Clip Push-In
6	873800600	Nut Hex w/Ins. 3/8-16 Unc
7	532124181	Spring Seat Cprsn 2 250 Blk Zi
8	817490616	Screw Thdrol 3/8-16 X 1 Ty-tt
9	819131614	Washer 13/32 X 1 X 14 Ga.
10	532155925	Pan Seat
12	532121246	Bracket Mounting Switch
13	532121248	Bushing Snap Blk Nyl 50 Id

### KEY PART NO. NO.

### DESCRIPTION

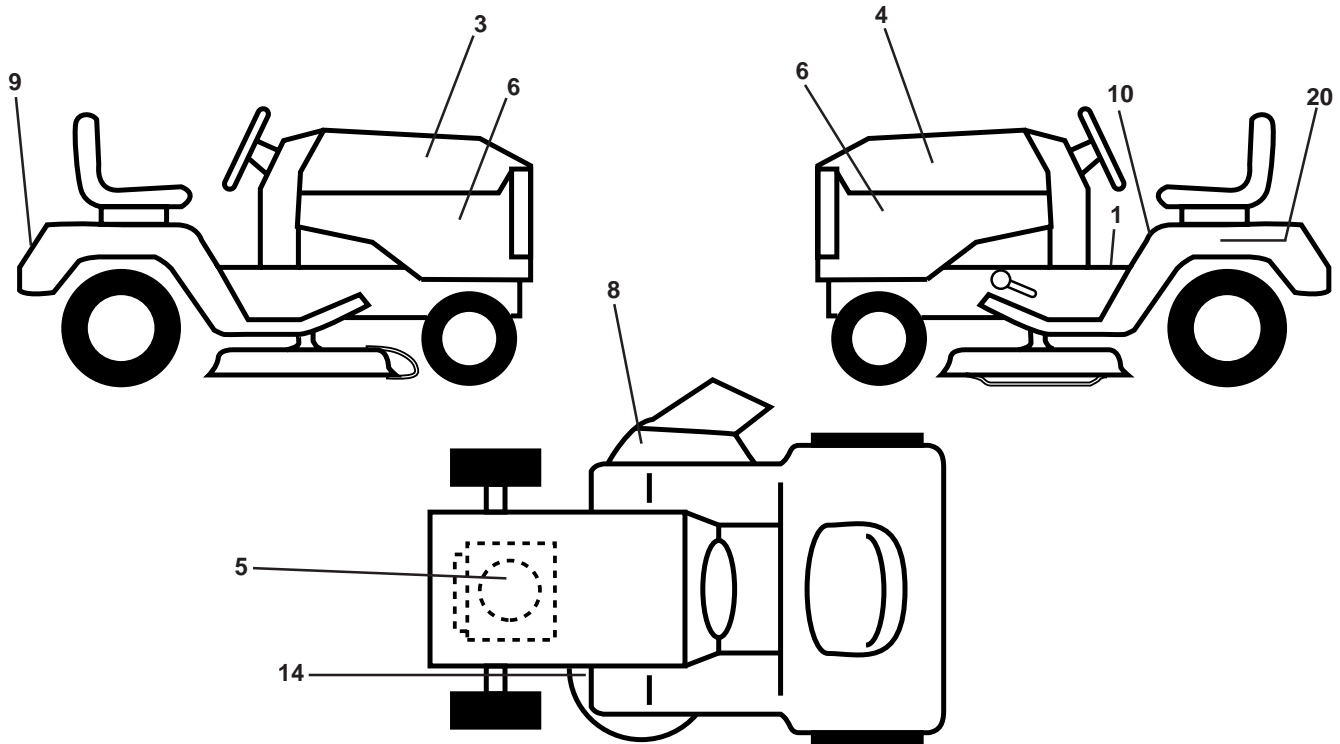
14	872050412	Bolt Rdhd Sqnk 1/4-20x1-1/2
15	532134300	Spacer Split 28x 96 Yel Zinc
16	532121250	Spring Cprsn 1 27 Blk Pnt
17	532123976	Nut Lock 1/4 Lge Flg Gr 5 Zinc
21	532153236	Bolt Shoulder 5/16-18 Unc
22	873800500	Nut Hex Lock W/Ins 5/16-18
23	874780814	Bolt, Hex Head, Fin 1/2-13 x 7/8 Grade 5
24	819171912	Washer 17/32 X 1-3/16 X 12 Ga.
25	532127018	Bolt Shoulder 5/16-18 X 62
26	810040800	Washer Lock

**NOTE:** All component dimensions given in U.S. inches.  
1 inch = 25.4 mm

# REPAIR PARTS

TRACTOR - MODEL NO. LT120 (954140002B), PRODUCT NO. 954 14 00-02

## DECALS



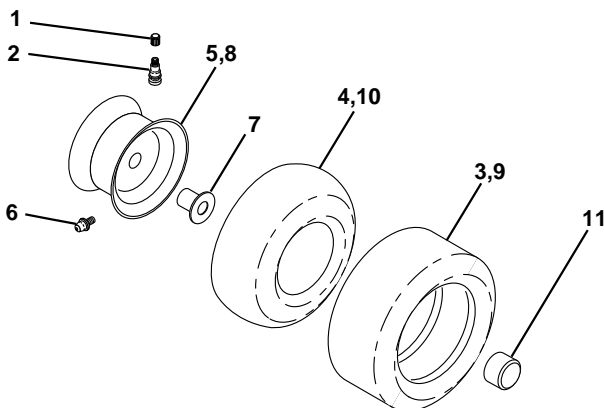
KEY NO.	PART NO.	DESCRIPTION
1	532156369	Decal Oper. Step Thru Eng/Fr
3	532157189	Decal Hood RH
4	532157191	Decal Hood LH
5	532272440	Decal HP Engine
6	532159713	Decal Pnl Side
8	532137259	Decal Warning
9	532150617	Decal Fender Husq
10	532157140	Decal Fender Danger Eng/Fr
14	532136832	Decal V-Belt Schematic
20	532145005	Decal Bat Dan/Psn

KEY NO.	PART NO.	DESCRIPTION
--	532154515	Pad Footrest LH STLT
--	532154516	Pad Footrest RH STLT
--	532138311	Decal Handle Lft Height Adjust
--	532161094	Manual Owner's (English)
--	532161095	Manual Owner's (French)

Available accessories not included with tractor:

--	MK380	Mulcher Kit with Blades
--	C38	Grass Catcher

## WHEELS & TIRES



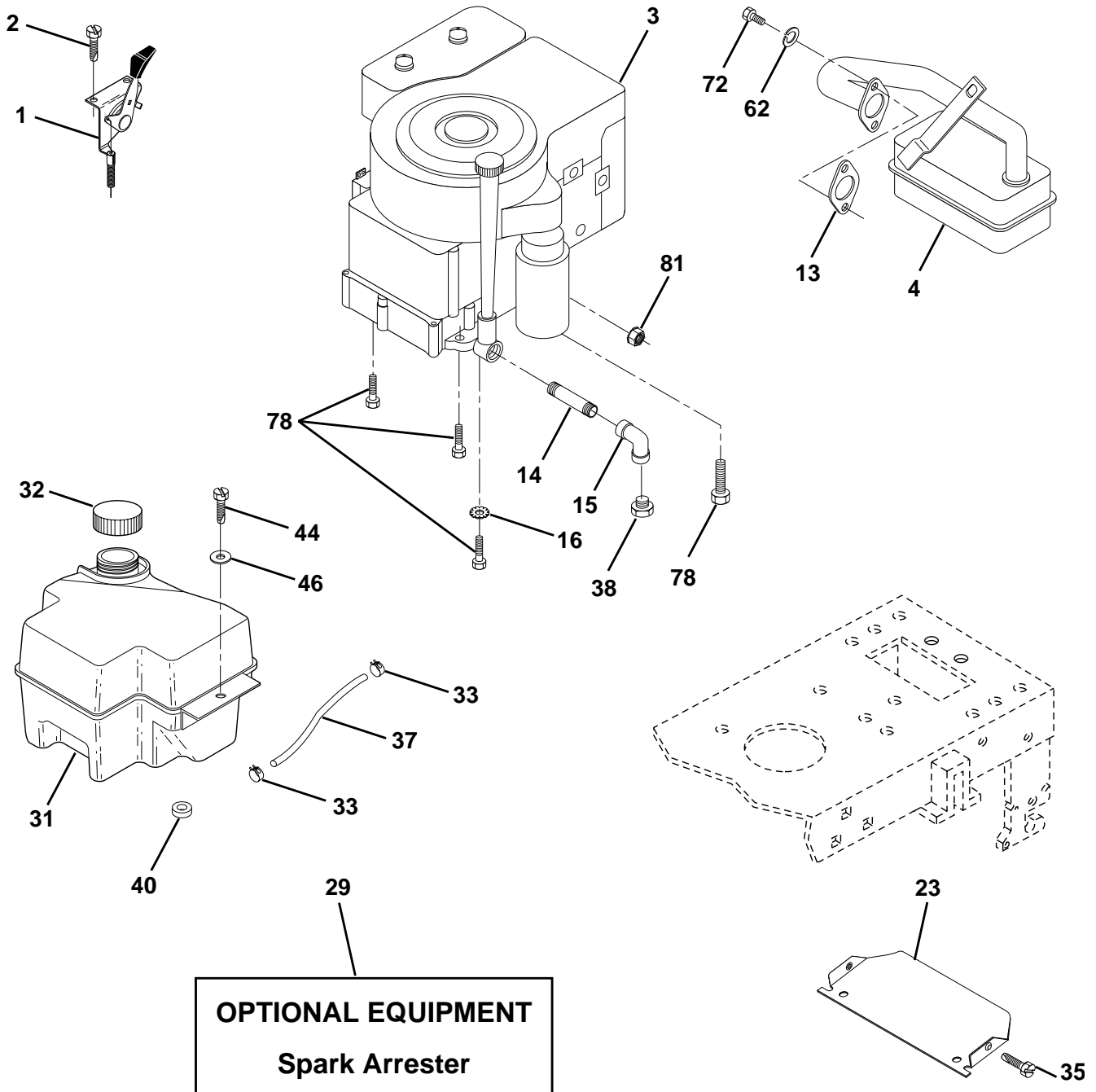
KEY NO.	PART NO.	DESCRIPTION
1	532059192	Cap Valve Tire
2	532065139	Stem Valve
3	532106222	Tire F Ts 15 X 6 0 - 6 Service
4	532059904	Tube Front (Service Item Only)
5	532138336	Rim Asm 6"front Silver Service
6	532124957	Fitting Grease (Front Wheel Only)
7	532124959	Bearing Flange (Front Wheel Only)
8	532138337	Rim Asm 8"rear Silver Service
9	532124635	Tire R Ts 18x8 5-8 C Service
10	532124926	Tube Rear (Service Item Only)
11	532104757	Cap Axle Blk 1 50 X 1 00
--	532144334	Sealant, Tire ( 10 oz. Tube)

**NOTE:** All component dimensions given in U.S. inches  
1 inch = 25.4 mm

# REPAIR PARTS

TRACTOR - MODEL NO. LT120 (954140002B), PRODUCT NO. 954 14 00-02

## ENGINE



# REPAIR PARTS

TRACTOR - MODEL NO. LT120 (954140002B), PRODUCT NO. 954 14 00-02

## ENGINE

KEY NO.	PART NO.	DESCRIPTION
1	532140310	Control Th/ch 23 5 LH Flag
2	817720410	Screw Hex Thd Cut 1/4-20x5/8 T
3	-----	Engine, Briggs 285707
4	532137348	Muffler LT B&S 12/12.5/13HP
13	532272293	Gasket Eng 1 313 Id Tin Plated
14	813280324	Nipple Pipe 3/8 Npt X 3"
15	813200300	Elbow Std 90 Degree 3/8-18 Npt
16	811050600	Washer Lock Ext Tooth 3/8
23	532156123	Shield Heat
29	532137180	Kit Spark Arrestor (Flat Scrn)
31	532140280	Tank Fuel Front 2 00
32	532140527	Cap Asm Fuel W/sym Vented
33	532123487	Clamp Hose Black
35	817490512	Screw
37	532137040	Line Fuel 20"
38	-----	Plug Oil Drain (Order From Engine Manufacturer)
40	532124028	Bushing Snap Nyl Blk Fuel Line
44	817490412	Screw Hexwsh Thdrol 1/4-20x3/4
46	819091416	Washer 9/32 X 7/8 X 16 Ga
62	810040500	Washer Lock Hvy Hlcl Spr 5/16
72	871070512	Screw Hexhd Cap 5/16-18x 3/4
78	817490620	Screw Thdrol 3/8-16x1-1/4 TYTT
81	532128861	Nut Flange 1/4-20 Starter Nut

**NOTE:** All component dimensions given in U.S. inches  
1 inch = 25.4 mm



# REPAIR PARTS

TRACTOR - MODEL NO. LT120 (954140002B), PRODUCT NO. 954 14 00-02

## MOWER DECK

KEY NO.	PART NO.	DESCRIPTION	KEY NO.	PART NO.	DESCRIPTION
1	532142829	Deck Asm Weldment	72	532131870	Spring Return
2	872140506	Bolt Rdhd Sqnk 5/16-18unc X3/4	73	532127847	Arm Clutch Secondary
3	532138017	Bracket Asm Fr Sway Bar 38/42	74	532121748	Washer 25/32 X 1-5/8 X 16 Ga
4	532138440	Bracket Asm Deck Sway Bar	75	812000029	Ring Klip #t5304-75
5	532124670	Retainer Spring	76	532128903	Bolt Shoulder 3/8-16 Unc 1 44
6	532130832	Arm Suspension Rear	77	532127845	Keeper Spring 4 000
8	532850857	Bolt 3/8 - 24 X 1.25 Gr 8	78	532154809	Arm Asm Clutch Primary
9	810030600	Washer Lock Hvy 3/8	79	532127498	Bushing 747 Od X 794 Lg Brass
10	532140296	Washer Hard Blade Mower Vented	80	532153701	Spring Clutch Mower
11	532134148	Blade Mower Mulching 38"	81	873350600	Nut Hex Jam 3/8-16
12	532129895	Bearing Ball #6024 (Mandrel)	82	532142028	Trunnion Adj 94
13	532137645	Shaft Asm W/lower Bearing	86	532125074	Runner, LH
14	532128774	Housing Mandrel Vented	87	532128772	Runner, RH
15	532110485	Bearing Ball Mandrel	88	819111216	Washer 11/32 x 3/4 x 16 Ga.
16	532140329	Stripper Mower Vented	89	819131612	Washer 13/32 x 1 x 12 Ga.
19	532132827	Bolt Shoulder	92	873800600	Nut Lock Hex W/Ins 3/8-16 Unc
21	873680500	Nut Crownlock 5/16-18 UNC	96	874930620	Bolt 3/8-16 x 1-1/4 Mulcher
23	532137607	Bracket Deflector Mower	97	873930600	Nut Crownlock 3/8-16 UNC
24	532105304	Cap Sleeve 80x 112 Blk Mower	98	819132016	Washer 13/32 x 1-1/4 x 16 Ga.
25	532123713	Spring Torsion Deflector 2 52	99	810040600	Washer Lock Hvy Hlcl Spr 3/8
26	532110452	Nut Push Phos & Oil	100	532135651	Nut Wing
27	532106736	Shield Deflector	101	532132803	Cover Asm Mulching 38"
28	819111016	Washer 11/32 X 5/8 X 16 Ga	107	532133502	Spacer, Retainer
29	532106735	Rod Hinge	108	532133503	Stiffener, Idler Arm
30	532157722	Screw Thdrol Rolling Washer Head	109	874760640	Bolt, Hex Head 3/8-16 x 2-1/2
31	532129963	Washer Spacer Mower Vented	110	532142587	Upstop Deck Front 38"
32	532153532	Pulley Mandrel	113	817490512	Screw Thdrol 5/16-18 X 3/4
33	532137266	Nut 9/16 Toplock Flng Oil Dip	122	532131289	Rod, Brake, LH
36	532131494	Pulley Idler Flat 3 060	123	532131288	Rod, Brake, RH
40	873680600	Nut Crownlock 3/8-16 UNC	124	872110614	Bolt, Carriage 3/8-16 x 1-3/4
41	532133551	Rod Pivot W/nibs	128	532153390	Washer Felt
43	532133504	Rod Clutch Secondary	129	819131312	Washer 13/32 x 13/16 x 12 Ga.
45	532124788	Spring Retainer 1" Zinc/cad	130	874780616	Bolt, Fin Hex 3/8-16 UNC x 1 Gr. 5
53	532130840	Asm Brake	131	872140608	Bolt, Rdhd Sqnk 3/8-16 x 1
54	532133943	Washer Hardened	--	532130794	Mandrel Asm Service (Includes Key Nos. 8-10, 12-15, 31 and 33)
55	532133840	Arm Idler	--	532142820	Mower Deck Complete (Std. Deck - order separately mulcher plate components key nos. 96-101)
56	532122052	Spacer Retainer Pm Mower			
67	532106932	Knob Rd 3/8-16 Plstc Thds Blk			
68	532144200	V-Belt Mower			
69	876020312	Pin, Cotter 3/32 x 3/4			
71	532142427	Rod Clutch Primary 38/42			

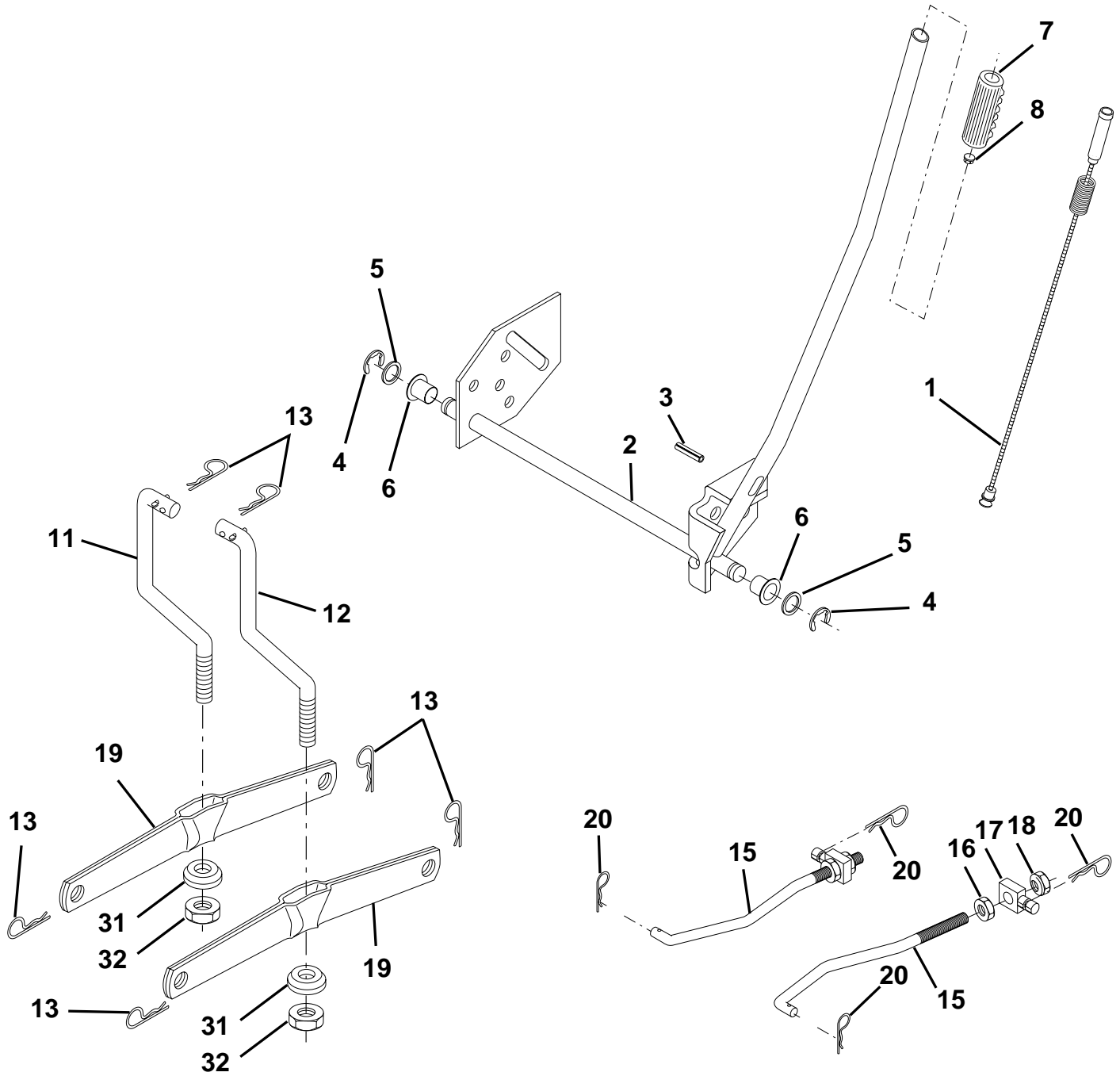
**NOTE:** All component dimensions given in U.S. inches  
1 inch = 25.4 mm



# REPAIR PARTS

TRACTOR - MODEL NO. LT120 (954140002B), PRODUCT NO. 954 14 00-02

## MOWER LIFT



# REPAIR PARTS

TRACTOR - MODEL NO. LT120 (954140002B), PRODUCT NO. 954 14 00-02

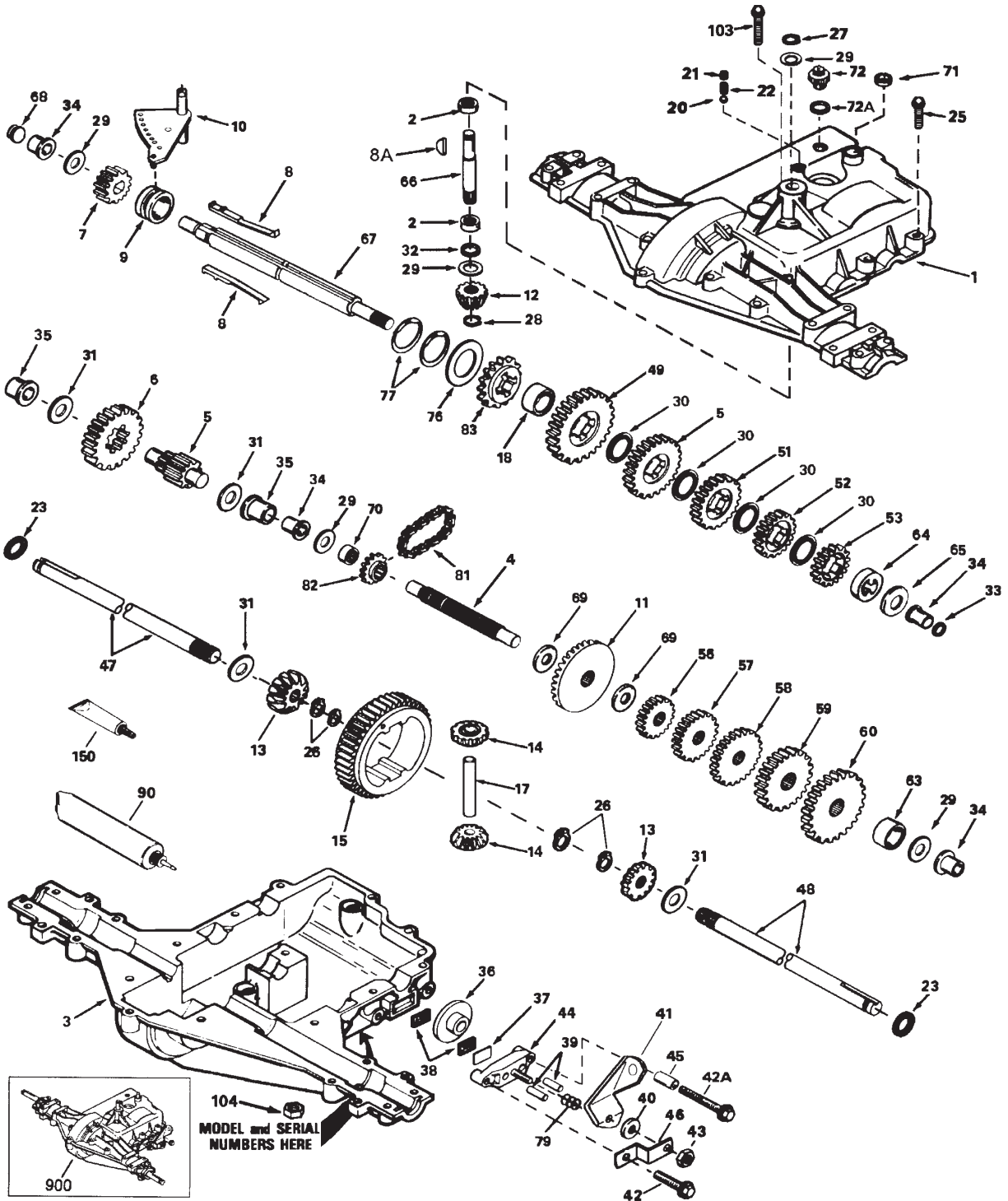
## MOWER LIFT

KEY NO.	PART NO.	DESCRIPTION
1	532159460	Wire Asm Inner W/plunger LT
2	532159471	Shaft Asm Lift
3	532105767	Pin Groove
4	812000002	E Ring #5133-62
5	819211621	Washer PLTD 21/32 X 1 X 21ga
6	532120183	Bearing Nylon Blk 629 Id
7	532109413	Grip Handle Bicycle
8	532124526	Button Plunger Black
11	532139865	Link Lift LH
12	532139866	Link Lift RH
13	532124670	Retainer Spring
15	532127218	Link Front
16	873350800	Nut Jam Hex 1/2-13 Unc
17	532130171	Trunnion Blk Zinc
18	873800800	Nut Lock W/wsh 1/2-13unc
19	532139868	Arm Suspension Rear
20	532124660	Spring, Retainer
31	532140302	Bearing Pvt. Lift Spherical
32	873540600	Nut Crownlock 3/8-24

**NOTE:** All component dimensions given in U.S. inches  
1 inch = 25.4 mm

# REPAIR PARTS

TRACTOR - MODEL NO. LT120 (954140002B), PRODUCT NO. 954 14 00-02  
PEERLESS TRANSAXLE - MODEL NUMBER 930-054A



# REPAIR PARTS

TRACTOR - MODEL NO. LT120 (954140002B), PRODUCT NO. 954 14 00-02

## PEERLESS TRANSAXLE - MODEL NUMBER 930-054A

REF PART NO. NO.	DESCRIPTION	REF PART NO. NO.	DESCRIPTION
1	772108A	43	792075
2	780086	44	790025
3	770102A	45	786066
4	776260	46	786086
5	776219B	47	774690
6	778139	48	774691
7	778136	49	778215
8	792136A	50	778124A
8A	792047	51	778123A
9	784352	52	778122A
10	784355	53	778273
11	778229	56	778230
12	778113A	57	778126A
13	778221	58	778127A
14	778068	59	778128A
15	778260	60	778163
17	786139	63	786071
18	786102	64	786072
20	792077	65	780109
21	792078	66	776135
22	792079	67	776315A
23	788061	68	786116A
25	792073	69	780051
		70	786118
26	792125	71	788069
		72	792165
27	792035	72A	788091
28	788040	76	780090
29	780072	77	788078A
30	780108		
31	780001	79	792144
32	792001	81	786081
33	788095		
34	780105A	82	786082
35	780118A	83	786123
36	790003	90	788067B
37	790007	103	792166
38	799021	104	792167
39	786026	150	510334
40	792076A	900	794528A
41	790079		
42	792073		
42A	792085A		

**NOTE:** All component dimensions given in U.S. inches  
1 inch = 25.4 mm

Parts must be ordered from Tecumseh Products Co.